

# Wood-Mizer<sup>®</sup> Sawmill

## Parts Manual

---

LT60AHD  
LT70AHD

rev. A2.02  
rev. A2.02

---



**Safety is our #1 concern!** Read and understand all safety information and instructions before operating, setting up or maintaining this machine.

*May 2002*

*Form #1052*

# Table of Contents

# Section-Page

|                  |   |            |
|------------------|---|------------|
| <b>SECTION 1</b> | <b>GENERAL INFORMATION</b>                          | <b>1-1</b> |
| 1.1              | How To Use The Parts List .....                     | 1-1        |
| 1.2              | Sample Assembly .....                               | 1-1        |
| <b>SECTION 2</b> | <b>BLADE GUIDE ROLLERS &amp; ARM</b>                | <b>2-1</b> |
| 2.1              | Blade Guide Assembly, Idle Side (Standard).....     | 2-1        |
| 2.2              | Blade Guide Assembly, Idle Side ( Optional ) .....  | 2-3        |
| 2.3              | Blade Guide Assembly, Drive Side (Standard).....    | 2-5        |
| 2.4              | Blade Guide Assembly, Drive Side ( Optional ) ..... | 2-7        |
| 2.5              | Blade Guide Arm Drive Assembly.....                 | 2-9        |
| <b>SECTION 3</b> | <b>BLADE WHEELS &amp; TENSIONER</b>                 | <b>3-1</b> |
| 3.1              | Blade Drive Assembly.....                           | 3-1        |
| 3.2              | Idle Blade Wheel Assembly .....                     | 3-3        |
| 3.3              | Blade Tensioner Assembly.....                       | 3-5        |
| 3.4              | Sawdust Flow Guide.....                             | 3-7        |
| <b>SECTION 4</b> | <b>SAW HEAD</b>                                     | <b>4-1</b> |
| 4.1              | Middle Throat Screw .....                           | 4-1        |
| 4.2              | Drive Belt Tensioner .....                          | 4-2        |
| 4.3              | Board Return Assembly .....                         | 4-3        |
| 4.4              | Water Lube Assembly .....                           | 4-4        |
| 4.5              | Saw Head Decals.....                                | 4-5        |
| 4.6              | Blade Housing Covers.....                           | 4-6        |
| 4.7              | Sawdust Chute .....                                 | 4-8        |
| <b>SECTION 5</b> | <b>CONTROL &amp; BATTERY BOXES</b>                  | <b>5-1</b> |
| 5.1              | Control Assembly (Gas/Diesel).....                  | 5-1        |
| 5.2              | Drum Switches .....                                 | 5-3        |
| 5.3              | Front Panel Assembly & Harnesses .....              | 5-4        |
| 5.4              | Circuit Breakers.....                               | 5-6        |
| 5.5              | Solenoid Assemblies (Gas/Diesel Only) .....         | 5-7        |
| 5.6              | Battery Box Assembly (D42 Only) .....               | 5-8        |
| 5.7              | Fuse Box Assembly (D42 Only) .....                  | 5-9        |
| <b>SECTION 6</b> | <b>UP/DOWN SYSTEM</b>                               | <b>6-1</b> |
| 6.1              | Up/Down Rollers & Covers .....                      | 6-1        |
| 6.2              | Blade Height Scale .....                            | 6-3        |
| 6.3              | Up/Down Chain & Sprockets.....                      | 6-5        |
| 6.4              | Up/Down Drive Assembly .....                        | 6-7        |
| <b>SECTION 7</b> | <b>FEED SYSTEM &amp; TRACK ROLLERS</b>              | <b>7-1</b> |
| 7.1              | Upper Track Rollers And Wipers.....                 | 7-1        |
| 7.2              | Power Feed Assembly .....                           | 7-3        |
| 7.3              | Feed Chain/Stop, LT60HD/LT70HD .....                | 7-4        |
| 7.4              | Lower Track Rollers.....                            | 7-6        |

**Table of Contents**

**Section-Page**

|                  |  |            |
|------------------|--|------------|
| <b>SECTION 8</b> | <b>BED FRAME ASSEMBLY</b>                | <b>8-1</b> |
| 8.1              | Bed Rail Assembly, Front And Rear .....  | 8-1        |
| 8.2              | Bed Rail Assembly, Front Middle .....    | 8-3        |
| 8.3              | Bed Rail Assembly, Rear Middle .....     | 8-5        |
| 8.4              | Leg, Stationary .....                    | 8-6        |
| 8.5              | Pivot Bed Rail Assembly.....             | 8-8        |
| 8.6              | Log Side Support Assembly (Manual) ..... | 8-10       |
| 8.7              | Tie Down Chain Assembly .....            | 8-12       |
| 8.8              | Saw Head Rest Pin Assembly .....         | 8-13       |
| 8.9              | Bed Frame Decals .....                   | 8-14       |
| <br>             |  |            |
| <b>SECTION 9</b> | <b>HYDRAULIC SYSTEM</b>                  | <b>9-1</b> |
| 9.1              | Hydraulic Hoses LT60AHD.....             | 9-1        |
| 9.2              | Hydraulic Control Box LT60/70AHD.....    | 9-2        |
| 9.3              | Hydraulic Power Supply Strip.....        | 9-4        |
| 9.4              | Hydraulic Log Loader .....               | 9-6        |
| 9.5              | Hydraulic Log Turner .....               | 9-8        |
| 9.6              | Hydraulic Log Side Supports .....        | 9-10       |
| 9.7              | Hydraulic Log Clamp .....                | 9-12       |
| 9.8              | Hydraulic Toe Board.....                 | 9-14       |



## SECTION 1 GENERAL INFORMATION

### 1.1 How To Use The Parts List

- Use the index above to locate the assembly that contains the part you need.
- Go to the appropriate section and locate the part in the illustration.
- Use the number pointing to the part to locate the correct part number and description in the table.
- Parts shown indented under another part are included with that part.
- Parts marked with a diamond (◆) are only available in the assembly listed above the part.

See the sample table below. Sample Part #A01111 includes part F02222-2 and subassembly A03333. Subassembly A03333 includes part S04444-4 and subassembly K05555. The diamond (◆) indicates that S04444-4 is not available except in subassembly A03333. Subassembly K05555 includes parts M06666 and F07777-77. The diamond (◆) indicates M06666 is not available except in subassembly K05555.

| <b>1.2 Sample Assembly</b> |   |           |      |   |
|----------------------------|---|-----------|------|---|
| REF                        | DESCRIPTION (◆ Indicates Parts Available In Assemblies Only)  | PART #    | QTY. |   |
|                            | Sample Assembly, Complete (Includes All Indented Parts Below) | A01111    | 1    |   |
| 1                          | Sample Part   | F02222-22 | 1    |   |
|                            | Sample Subassembly (Includes All Indented Parts Below)        | A03333    | 1    |   |
| 2                          | Sample Part (◆ Indicates Part Is Only Available With A03333)  | S04444-4  | 1    | ◆ |
|                            | Sample Subassembly (Includes All Indented Parts Below)        | K05555    | 1    |   |
| 3                          | Sample Part (◆ Indicates Part Is Only Available With K05555)  | M06666    | 2    | ◆ |
| 4                          | Sample Part   | F07777-77 | 1    |   |

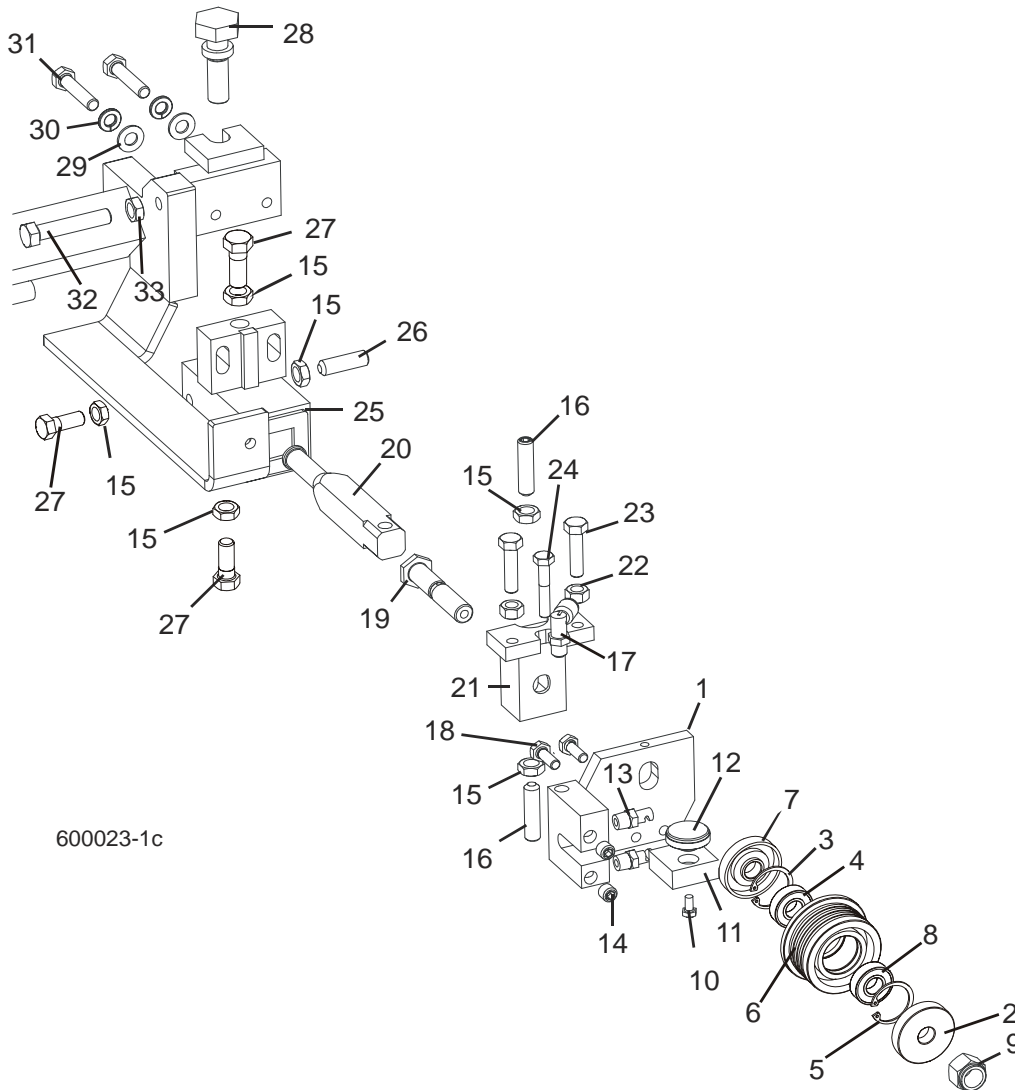
#### **To Order Parts:**

- From Europe call our European Headquarters and Manufacturing Facility in Kolo, Poland at **+48-63-2610233**. From the continental U.S., call our toll-free Parts hotline at **1-800-448-7881**. Have your customer number, vehicle identification number, and part numbers ready when you call.
- From other international locations, contact the Wood-Mizer distributor in your area for parts.

**2** Blade Guide Rollers & Arm  
*Blade Guide Assembly, Idle Side (Standard)*

**SECTION 2 BLADE GUIDE ROLLERS & ARM**

**2.1 Blade Guide Assembly, Idle Side (Standard)**



| REF | DESCRIPTION (◆ Indicates Parts Available In Assemblies Only) | PART #   | QTY. |
|-----|--|----------|------|
|     | <b>ROLLER/BLOCK ASSEMBLY, IDLE SIDE (OUTER)</b>              | 017807-0 | 1    |
| 1   | Nozzle Block Weldment, Idle Side                             | 035404   | 1    |
|     | Blade Guide Roller with Bearings                             | 088261   | 1    |
| 2   | Spacer, Blade Guide Roller, zink                             | 087891-1 | 1    |
| 3   | Ring, inside retaining SPR.W28                               | F81090-9 | 1    |
| 4   | Bearing, R8-2RS Blade Guide                                  | 087893   | 1    |
| 5   | Ring, inside retaining SPR.W28                               | F81090-9 | 1    |

## Blade Guide Rollers & Arm

*Blade Guide Assembly, Idle Side (Standard)*

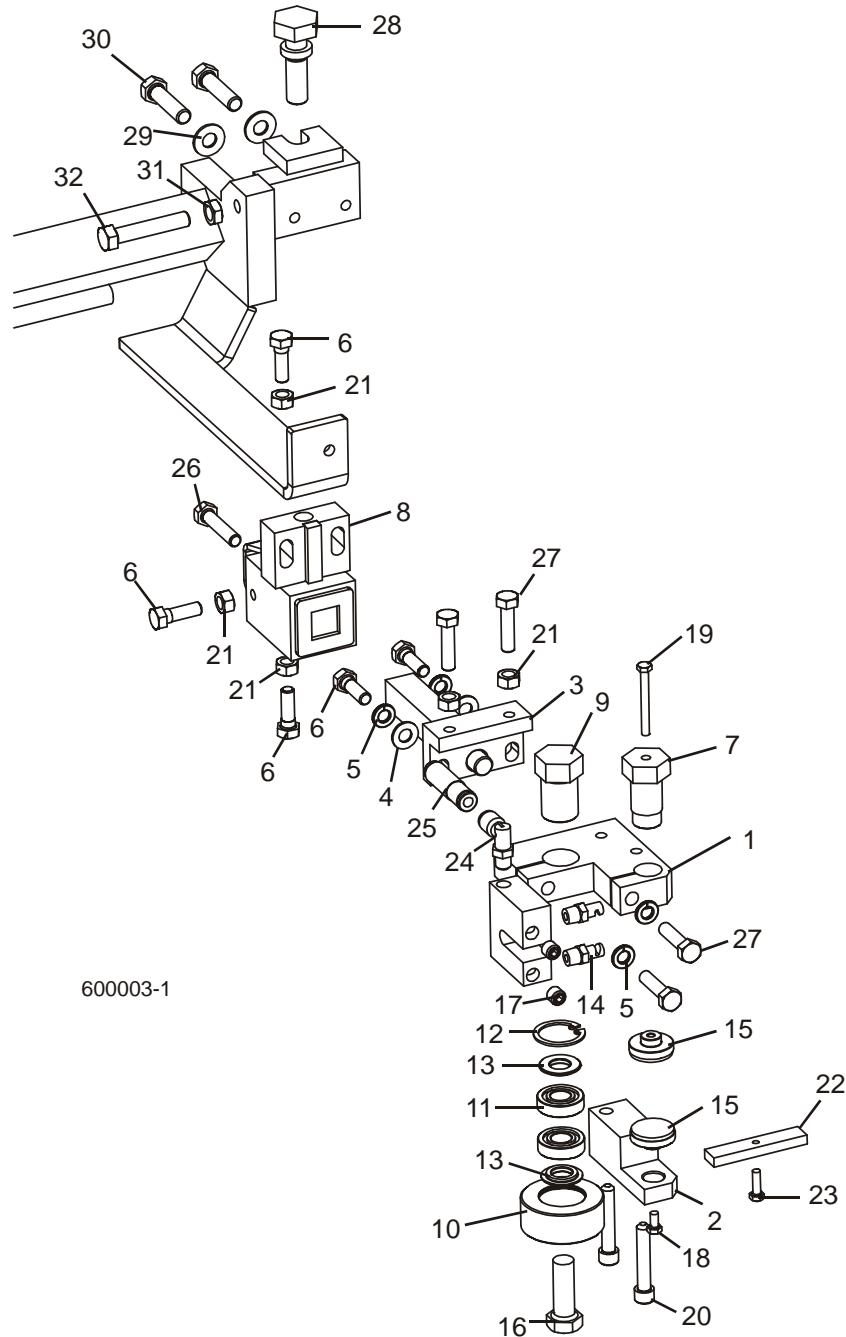
2

|    |   |            |   |  |
|----|---|------------|---|--|
| 6  | Roller, 1 1/4" Flanged Blade Guide with Bearings              | 088261     | 1 |  |
| 7  | Spacer, Blade Guide Roller, zink                              | 087891-1   | 1 |  |
| 8  | Bearing, R8-2RS Blade Guide                                   | 087893     | 1 |  |
| 9  | Nut, 1/2-20 Nylon Hex Lock                                    | F05010-15  | 1 |  |
| 10 | Bolt, #10-32 x 3/8" Unslotted Hex Head Stainless Steel        | F05004-171 | 1 |  |
| 11 | Block, Wear Disc Holder                                       | 035235     | 1 |  |
| 12 | Disc Assembly, 1 1/4" Blade Guide Wear                        | 035222     | 1 |  |
| 13 | Nozzle, Blade Lube Spray                                      | 033479     | 2 |  |
| 14 | Fitting, 1/8" NPT Socket Pipe Plug                            | P30127     |   |  |
| 15 | Nut, 3/8-24 UNC Hex Jam                                       | F05010-22  |   |  |
| 16 | Screw, 3/8-24 x 1 1/2" Socket Head Cup Point Stainless Steel  | F05007-162 | 2 |  |
| 17 | Fitting, 1/8" MPT x 1/4" Tube 90° Elbow Swivel                | P09736     | 1 |  |
| 18 | Bolt, 1/4-20 x 3/4" Hex Head Grade 5                          | F05005-123 | 2 |  |
| 19 | Bolt, Blade Guide Roller                                      | 090953-1   | 1 |  |
| 20 | Shaft, Blade Guide Mount                                      | 044047     | 1 |  |
| 21 | Block, Roller Guide Adjuster                                  | 035408     | 1 |  |
| 22 | Nut, 5/16-24 Hex  | F05010-28  | 2 |  |
| 23 | Bolt, 5/16-24 x 1 1/4" Hex Head Full Thread Grade 5           | F05006-107 | 2 |  |
| 24 | Bolt, 1/4-28 x 1 1/2" Hex Head Grade 5                        | F05005-143 | 1 |  |
| 25 | Block Weldment, Guide Mounting 60/70                          | 044044     | 1 |  |
| 26 | Screw, 3/8-24 x 1" Socket Head Flat Point Stainless Steel Set | F05007-184 | 1 |  |
| 27 | Bolt, 3/8-24 x 1" Hex Head Stainless Steel                    | F05007-99  | 3 |  |
|    | <b>SHIM, .008" CERAMIC INSERT SPACER</b>                      | 035248     | 1 |  |
| 28 | <b>BOLT, BLADE GUIDE VERTICAL ADJUSTMENT</b>                  | 035656     | 1 |  |
| 29 | <b>WASHER, 5/16" SAE FLAT</b>                                 | F05011-17  | 2 |  |
| 30 | <b>WASHER, 5/16" SPLIT LOCK</b>                               | F05011-13  | 2 |  |
| 31 | <b>BOLT, 5/16-18 X 1 1/2" FULL THREAD HEX HEAD GRADE 5</b>    | F05006-76  | 2 |  |
| 32 | <b>BOLT, 3/8-16X2 HH FT</b>                                   | F05007-16  | 1 |  |
| 33 | <b>NUT, 3/8-16 JAM</b>  | F05010-29  | 1 |  |

# 2 Blade Guide Rollers & Arm

Blade Guide Assembly, Idle Side ( Optional )

## 2.2 Blade Guide Assembly, Idle Side ( Optional )





## Blade Guide Rollers & Arm

*Blade Guide Assembly, Idle Side ( Optional )*

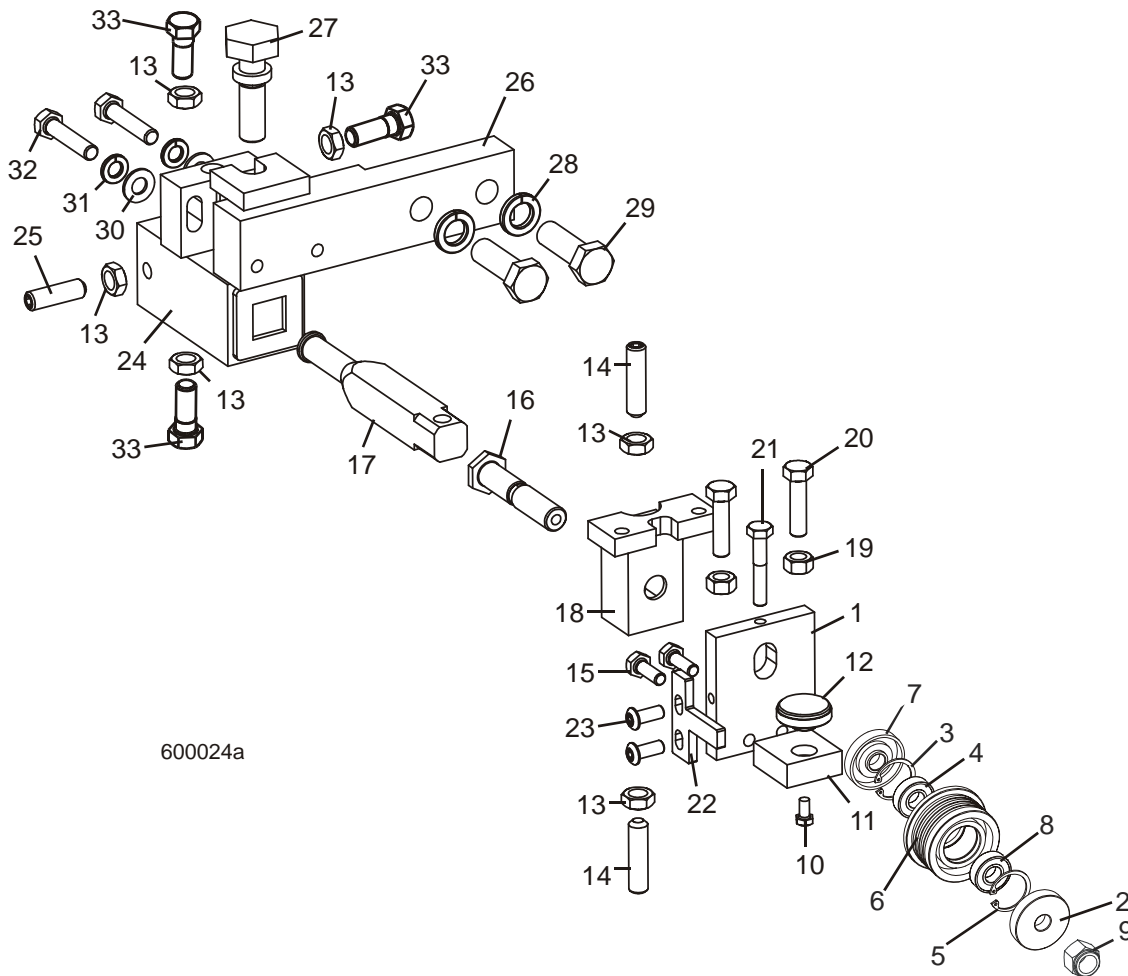
2

| REF | DESCRIPTION (◆ Indicates Parts Available In Assemblies Only) | PART #     | QTY. |  |
|-----|--|------------|------|--|
|     | <b>GUIDE ASSEMBLY, IDLE SIDE BLOCK BLADE</b>                 | 035200     | 1    |  |
| 1   | Block Weldment, Blade Guide Idle Side Mount                  | 035206     | 1    |  |
| 2   | Block, Lower Blade Guide Mount                               | 035213     | 1    |  |
| 3   | Pivot Weldment, Blade Guide                                  | 035209     | 1    |  |
| 4   | Washer, 5/16" SAE Flat                                       | F05011-17  | 2    |  |
| 5   | Washer, 5/16" Split Lock                                     | F05011-13  | 4    |  |
| 6   | Bolt, 5/16-18 x 1" Hex Head                                  | F05006-88  | 5    |  |
| 7   | Bolt, Blade Guide Insert Mount                               | 035216     | 1    |  |
| 8   | Block Weldment, Blade Guide Mount                            | 035219     | 1    |  |
| 9   | Bolt, Blade Guide Roller Mount                               | 035215     | 1    |  |
|     | Roller Assembly, Blade Guide                                 | 023977     | 1    |  |
| 10  | Housing, Blade Guide Roller                                  | 017223     | 1    |  |
| 11  | Bearing, R8-2RS Blade Guide                                  | 015975     | 2    |  |
| 12  | Ring, 1 1/8" IR 3000x112 Retaining                           | F04254-1   | 1    |  |
| 13  | Spacer, Blade Guide Roller                                   | 018948     | 2    |  |
| 14  | Fitting, Blade Lube Spray Nozzle                             | 033479     | 2    |  |
| 15  | Insert Assembly, 1 1/4" Blade Guide                          | 035222     | 2    |  |
| 16  | Bolt, 1/2-13 x 1 1/2" Hex Head                               | F05008-4   | 1    |  |
| 17  | Fitting, 1/8" NPT Socket Pipe Plug                           | P30127     | 2    |  |
| 18  | Bolt, #10-32 x 3/8" Hex Head                                 | F05004-171 | 1    |  |
| 19  | Bolt, #10-32 x 1 3/4" Hex Head                               | F05004-178 | 1    |  |
| 20  | Bolt, 5/16-18 x 1 3/4" Socket Head                           | F05006-65  | 2    |  |
| 21  | Nut, 5/16-18 Hex   | F05010-17  | 6    |  |
| 22  | Block, Blade Guide Alignment                                 | 035799     | 1    |  |
| 23  | Screw, #10-32 x 5/8 Hex Head Machine                         | F05004-152 | 1    |  |
| 24  | Fitting, 1/8" MPT x 1/4" Tube Swivel Elbow                   | P09736     | 1    |  |
| 25  | Bolt, 5/16-18 x 1 1/2" Full Thread Hex Head                  | F05006-119 | 1    |  |
| 26  | Bolt, 5/16-18 x 1 1/4" Hex Head                              | F05006-118 | 4    |  |
| 27  | <b>BOLT, BLADE GUIDE VERTICAL ADJUSTMENT</b>                 | 035656     | 1    |  |
| 28  | <b>WASHER, 5/16" SAE FLAT</b>                                | F05011-17  | 2    |  |
| 29  | <b>WASHER, 5/16" SPLIT LOCK</b>                              | F05011-13  | 2    |  |
| 30  | <b>BOLT, 5/16-18 X 1 1/2" FULL THREAD HEX HEAD GRADE 5</b>   | F05006-76  | 2    |  |
| 31  | <b>NUT, 3/8-16 HEX JAM</b>                                   | F05010-29  | 1    |  |
| 32  | <b>BOLT, 3/8-16 X 2" FULL THREAD HEX HEAD</b>                | F05007-16  | 1    |  |

## 2 Blade Guide Rollers & Arm

### Blade Guide Assembly, Drive Side (Standard)

### 2.3 Blade Guide Assembly, Drive Side (Standard)



| REF | DESCRIPTION (◆ Indicates Parts Available In Assemblies Only) | PART #     | QTY. |
|-----|--|------------|------|
|     | <b>ROLLER/BLOCK ASSEMBLY, DRIVE SIDE (INNER)</b>             | 044046     | 1    |
| 1   | Plate, Blade Guide Back Mounting                             | 035409     | 1    |
|     | Blade Guide Roller with Bearings                             | 088261     | 1    |
| 2   | Spacer, Blade Guide Roller, zink                             | 087891-1   | 1    |
| 3   | Ring, inside retaining SPR.W28                               | F81090-9   | 1    |
| 4   | Bearing, R8-2RS Blade Guide                                  | 087893     | 1    |
| 5   | Washer, Bearing Spacer                                       | F81090-9   | 1    |
| 6   | Roller, 1 1/4" Flanged Blade Guide with Bearings             | 088261     | 1    |
| 7   | Spacer, Blade Guide Roller, zink                             | 087891-1   | 1    |
| 8   | Bearing, R8-2RS Blade Guide                                  | 087893     | 1    |
| 9   | Nut, 1/2-20 Nylon Hex Lock                                   | F05010-15  | 1    |
| 10  | Bolt, #10-32 x 3/8" Unslotted Hex Head Stainless Steel       | F05004-171 | 1    |
| 11  | Block, Wear Disc Holder                                      | 035235     | 1    |

## Blade Guide Rollers & Arm

*Blade Guide Assembly, Drive Side (Standard)*

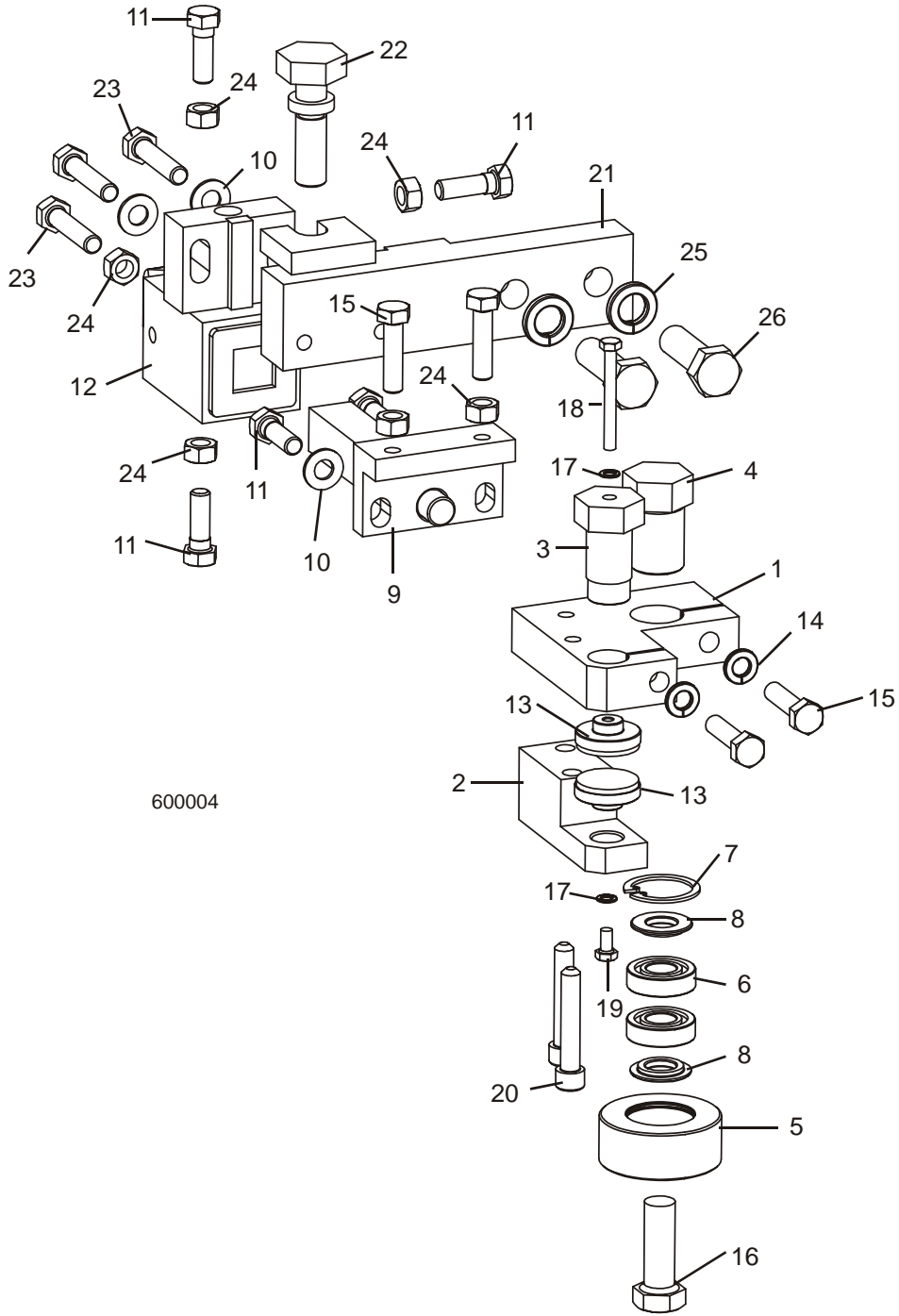
2

|    |   |            |   |  |
|----|---|------------|---|--|
| 12 | Disc Assembly, 1" Blade Guide Wear                            | 035222     | 1 |  |
| 13 | Nut, 3/8-24 UNC Hex Jam                                       | F05010-22  |   |  |
| 14 | Screw, 3/8-24 x 1 1/2" Socket Head Cup Point Stainless Steel  | F05007-162 | 2 |  |
| 15 | Bolt, 1/4-20 x 3/4" Hex Head Grade 5                          | F05005-123 | 2 |  |
| 16 | Bolt, Blade Guide Roller                                      | 090953-1   | 1 |  |
| 17 | Shaft, Blade Guide Mount                                      | 044047     | 1 |  |
| 18 | Block Weldment, Roller Guide Adjuster                         | 035408     | 1 |  |
| 19 | Nut, 5/16-24 Hex  | F05010-28  | 2 |  |
| 20 | Bolt, 5/16-24 x 1 1/4" Hex Head Full Thread Stainless         | F05006-107 | 2 |  |
| 21 | Bolt, 1/4-28 x 1 1/2" Hex Head Stainless                      | F05005-143 | 1 |  |
| 22 | Guard, Drive Roller   | 035490     | 1 |  |
| 23 | Screw, 1/4-20 x 55/8" Button Head Socket Cap Grade 2          | F05005-128 | 2 |  |
| 24 | Block Weldment, Blade Guide Mount                             | 044044     | 1 |  |
| 25 | Screw, 3/8-24 x 1" Socket Head Flat Point Stainless Steel Set | F05007-184 | 1 |  |
|    | <b>SHIM, .008" CERAMIC INSERT SPACER</b>                      | 035248     | 1 |  |
| 26 | <b>ARM WELDMENT, DRIVE SIDE BLADE GUIDE</b>                   | 034292     | 1 |  |
| 27 | <b>BOLT, BLADE GUIDE VERTICAL ADJUSTMENT</b>                  | 035656     | 1 |  |
| 28 | <b>WASHER, 1/2" SPLIT LOCK</b>                                | F05011-9   | 2 |  |
| 29 | <b>BOLT, 1/2-13 X 1 1/2" HEX HEAD GRADE 5</b>                 | F05008-33  | 2 |  |
| 30 | <b>WASHER, 5/16" SAE FLAT</b>                                 | F05011-17  | 2 |  |
| 31 | <b>WASHER, 5/16" SPLIT LOCK</b>                               | F05011-13  | 2 |  |
| 32 | <b>BOLT, 5/16-18 X 1 1/2" HEX HEAD FULL THREAD GRADE 5</b>    | F05006-76  | 2 |  |
| 33 | <b>BOLT, 3/8-24X1 HH SS</b>                                   | F05007-99  | 3 |  |

# 2 Blade Guide Rollers & Arm

Blade Guide Assembly, Drive Side ( Optional )

## 2.4 Blade Guide Assembly, Drive Side ( Optional )



## Blade Guide Rollers & Arm

*Blade Guide Assembly, Drive Side ( Optional )*

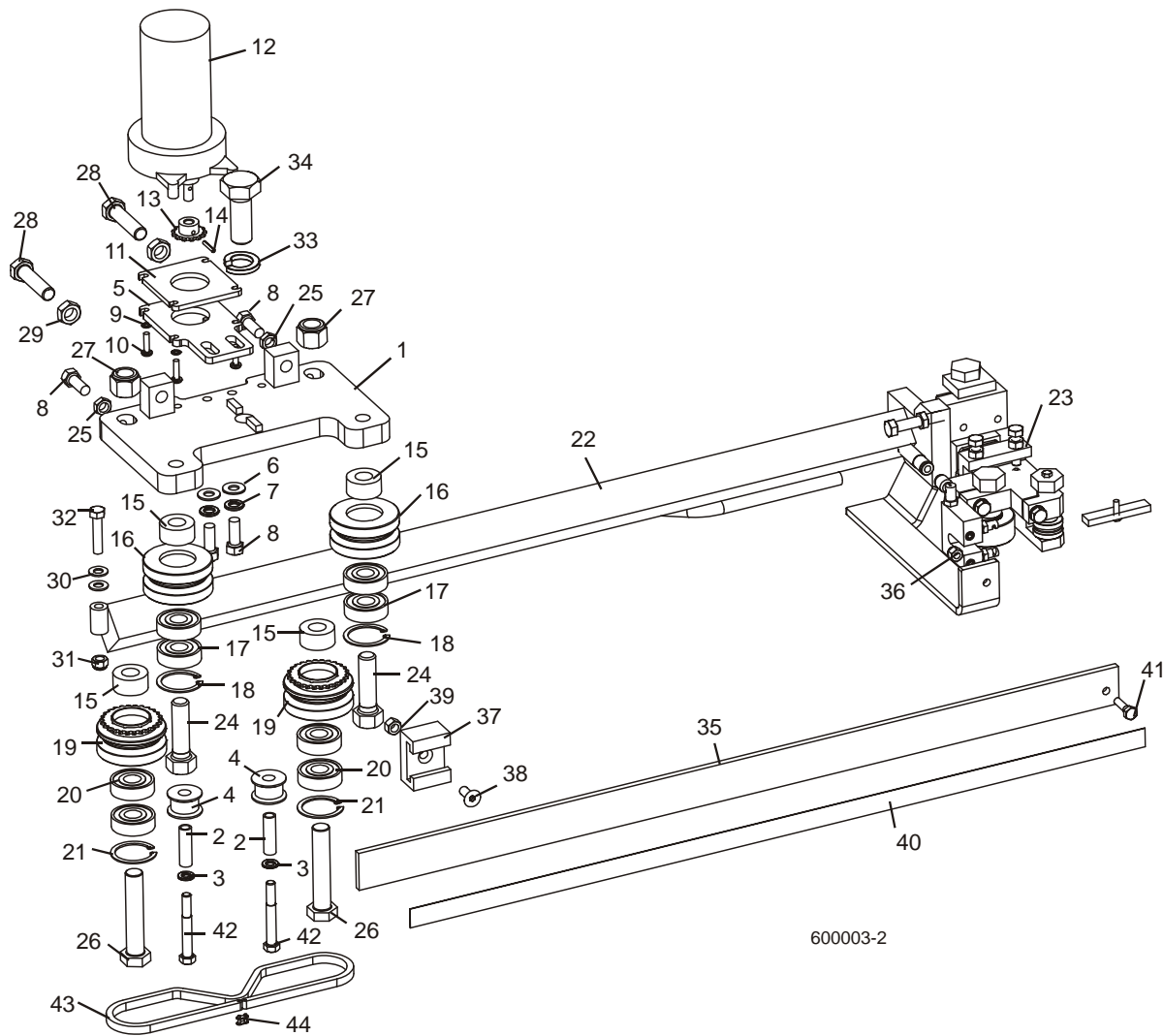
2

| REF | DESCRIPTION (◆ Indicates Parts Available In Assemblies Only)       | PART #     | QTY. |   |
|-----|--|------------|------|---|
|     | <b>GUIDE ASSEMBLY, DRIVE SIDE BLADE GUIDE</b>                      | 034291     | 1    |   |
| 1   | Block, Drive Side Blade Guide Mount                                | 035207     | 1    |   |
| 2   | Block, Lower Blade Guide Mount                                     | 035214     | 1    |   |
| 3   | Bolt, Blade Guide Insert Mount                                     | 035216     | 1    |   |
| 4   | Bolt, Blade Guide Roller Mount                                     | 035215     | 1    |   |
|     | Roller Assembly, Blade Guide                                       | 023977     | 1    |   |
| 5   | Housing, Blade Guide Roller  | 017223     | 1    | ◆ |
| 6   | Bearing, R8-2RS Blade Guide  | 015975     | 2    |   |
| 7   | Ring, 1 1/8" IR 3000x112 Retaining                                 | F04254-1   | 1    |   |
| 8   | Spacer, Blade Guide Roller   | 018948     | 2    |   |
| 9   | Pivot Weldment, Blade Guide  | 035209     | 1    |   |
| 10  | Washer, 5/16" SAE Flat   | F05011-17  | 2    |   |
| 11  | Bolt, 5/16-18 x 1" Hex Head Stainless Steel                        | F05006-88  | 5    |   |
| 12  | Block Weldment, Blade Guide Mount                                  | 035219     | 1    |   |
| 13  | Insert Assembly, 1 1/4" Blade Guide                                | 035222     | 2    |   |
| 14  | Washer, 5/16" Split Lock   | F05011-13  | 4    |   |
| 15  | Bolt, 5/16-18 x 1 1/4" Hex Head Stainless Steel                    | F05006-118 | 4    |   |
| 16  | Bolt, 1/2-13 x 1 1/2" Hex Head                                     | F05008-4   | 1    |   |
| 17  | Washer, #10 Split Lock   | F05011-20  | 2    |   |
| 18  | Bolt, #10-32 x 1 3/4" Hex Head Stainless Steel                     | F05004-178 | 1    |   |
| 19  | Bolt, #10-32 x 3/8" Hex Head Stainless Steel                       | F05004-171 | 1    |   |
| 20  | Bolt, 5/16-18 x 1 3/4" Socket Head                                 | F05006-65  | 2    |   |
| 21  | Bolt, 5/16-18 x 1 1/2" Full Thread Hex Head Stainless Steel        | F05006-119 | 1    |   |
| 22  | Nut, 5/16-18 Hex   | F05010-17  | 6    |   |
| 23  | <b>ARM WELDMENT, DRIVE SIDE BLADE GUIDE</b>                        | 034292     | 1    |   |
| 24  | <b>BOLT, BLADE GUIDE VERTICAL ADJUSTMENT</b>                       | 035656     | 1    |   |
| 25  | <b>WASHER, 1/2" SPLIT LOCK</b>                                     | F05011-9   | 2    |   |
| 26  | <b>BOLT, 1/2-13 X 1 1/2" HEX HEAD GRADE 5</b>                      | F05008-33  | 2    |   |
| 27  | <b>WASHER, 5/16" SAE FLAT</b>                                      | F05011-17  | 2    |   |
| 28  | <b>WASHER, 5/16" SPLIT LOCK</b>                                    | F05011-13  | 2    |   |
| 29  | <b>BOLT, 5/16-18 X 1 1/2" FULL THREAD HEX HEAD STAINLESS STEEL</b> | F05006-119 | 2    |   |

# 2 Blade Guide Rollers & Arm

## Blade Guide Arm Drive Assembly

### 2.5 Blade Guide Arm Drive Assembly



| REF | DESCRIPTION (◆ Indicates Parts Available In Assemblies Only) | PART #    | QTY. |
|-----|--|-----------|------|
|     | <b>ARM ASSEMBLY, IDLE SIDE BLADE GUIDE</b>                   | 034290    | 1    |
| 1   | Plate Weldment, Blade Guide Arm                              | 034286    | 1    |
| 2   | Spacer, .322" x .44" x 1 1/2"                                | S09996    | 2    |
| 3   | Washer, 5/16" Split Lock                                     | F05011-13 | 2    |
| 4   | Roller, Blade Guide Drive                                    | S09999    | 2    |
| 5   | Plate, Blade Guide Motor Mount                               | 033803    | 1    |
| 6   | Washer, 3/8" SAE Flat  | F05011-3  | 2    |
| 7   | Washer, 3/8" Split Lock                                      | F05011-4  | 2    |
| 8   | Bolt, 3/8-16 x 1" Hex Head                                   | F05007-7  | 4    |
| 9   | Washer, #10 Split Lock                                       | F05011-20 | 4    |
| 10  | Screw, #10-32 x 3/4" Phillips Head Machine                   | F05004-38 | 4    |

## Blade Guide Rollers & Arm

### *Blade Guide Arm Drive Assembly*

2

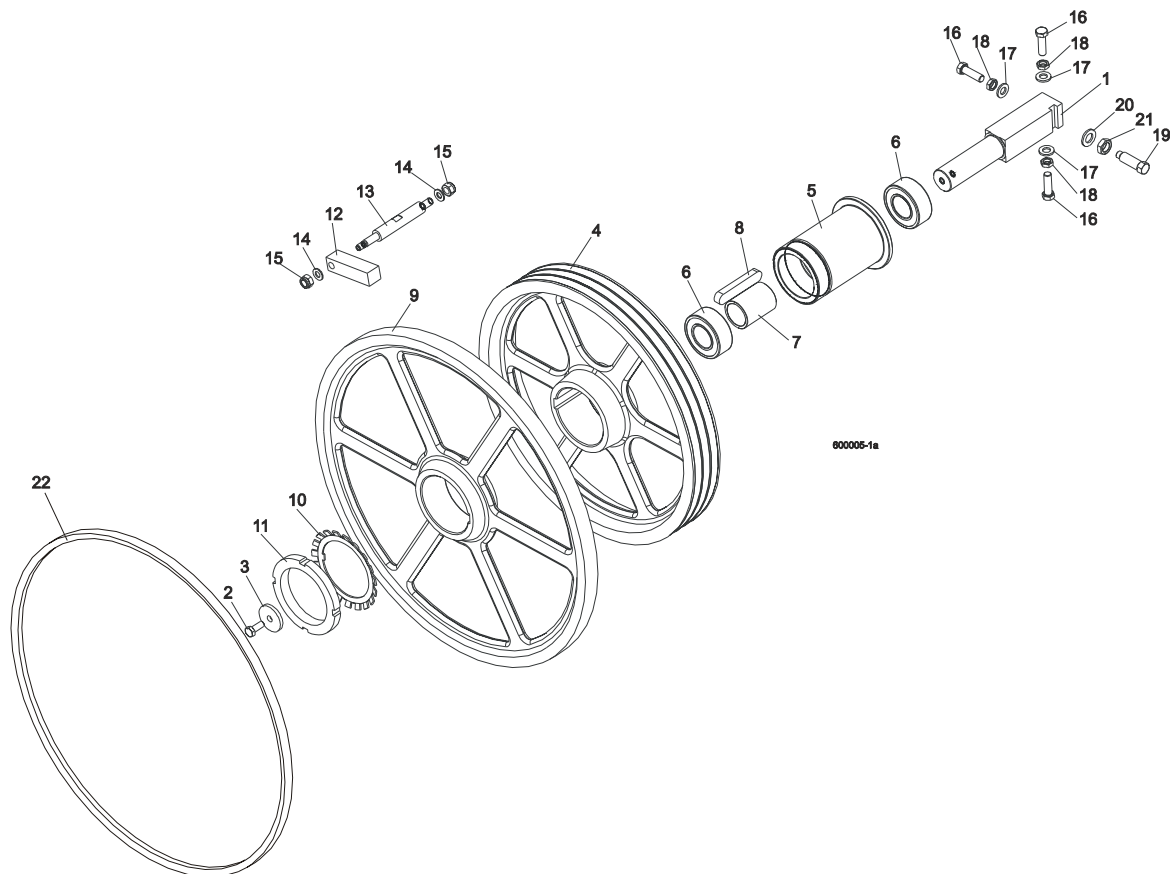
|    |   |            |   |  |
|----|---|------------|---|--|
| 11 | Plate, Blade Guide Motor Mount Spacer                 | 033805     | 1 |  |
| 12 | Motor, 1/30 HP 62RPM 12VDC 53:1 Gear                  | P09698-1   | 1 |  |
| 13 | Sprocket, 25B13 x .3130                               | P09970     | 1 |  |
| 14 | Pin, 1/8" x 3/4" Roll                                 | F05012-6   | 1 |  |
| 15 | Spacer, Blade Guide Arm V-Roller                      | 033913     | 4 |  |
|    | Roller Assembly, Blade Guide Arm V Idle               | 042543     | 2 |  |
| 16 | Housing, 2 1/2" V-Groove                              | 042536     | 1 |  |
| 17 | Bearing, 5/8" x 1.7548" x .4724"                      | P06030-1   | 2 |  |
| 18 | Ring, 1.575" ID Beveled 5002-156 Retaining            | F04254-8   | 1 |  |
|    | Roller Assembly, Blade Guide Arm V Drive              | 042542     | 2 |  |
| 19 | Housing, 2 1/2" V-Groove w/Sprocket                   | 042541     | 1 |  |
| 20 | Bearing, 5/8" x 1.7548" x .4724"                      | P06030-1   | 2 |  |
| 21 | Ring, 1.575" ID Beveled 5002-156 Retaining            | F04254-8   | 1 |  |
| 22 | Arm Weldment, Blade Guide                             | 034289     | 1 |  |
| 23 | Blade Guide Parts ( <a href="#">See Section 2.1</a> ) |            |   |  |
| 24 | Bolt, 5/8-18 x 2 1/4" Hex Head Grade 5                | F05009-80  | 2 |  |
| 25 | Nut, 3/8-16 Hex Jam                                   | F05010-29  | 2 |  |
| 26 | Bolt, 5/8-18 x 3 1/4" Hex Head Grade 5                | F05009-98  | 2 |  |
| 27 | Nut, 5/8-18 Hex Nylon Lock                            | F05010-71  | 2 |  |
| 28 | Bolt, 1/2-20 x 2" Hex Head Full Thread                | F05008-126 | 2 |  |
| 29 | Nut, 1/2-20 Hex Jam                                   | F05010-16  | 2 |  |
| 30 | Washer, 5/16" SAE Flat                                | F05011-17  | 2 |  |
| 31 | Nut, 5/16-18 Hex Nylon Lock                           | F05010-58  | 1 |  |
| 32 | Bolt, 5/16-18 x 1 1/2" Hex Head Grade 5               | F05008-96  | 1 |  |
| 33 | Washer, 3/4" Split Lock                               | F05011-6   | 1 |  |
| 34 | Bolt, 3/4-16 x 2" Full Thread Hex Head                | F05013-1   | 1 |  |
| 35 | Guard, Blade Guide Arm                                | 014955     | 1 |  |
| 36 | Nut, 1/4-20 Hex Nylon Lock                            | F05010-69  | 1 |  |
| 37 | Bracket, Blade Guide Arm Guide                        | 014882     | 1 |  |
| 38 | Bolt, 5/16-18 x 3/4" Flat Head Socket                 | F05006-95  | 1 |  |
| 39 | Nut, 5/16-18 Hex Lock                                 | F05010-6   | 1 |  |
| 40 | Decal, Blade Guide Arm Warning Stripe                 | 015849     | 1 |  |
| 41 | Screw, 1/4-20 x 1" Hex Head                           | F05006-10  | 2 |  |
| 42 | Bolt, 5/16-18 x 2 1/2" Hex Head                       | F05006-10  | 2 |  |
| 43 | Chain, #25 x 92 Pitches                               | 042443     | 1 |  |
| 44 | Link, #25 Master                                      | P09983     | 2 |  |





## SECTION 3 BLADE WHEELS & TENSIONER

### 3.1 Blade Drive Assembly



| REF | DESCRIPTION (◆ Indicates Parts Available In Assemblies Only) | PART #              | QTY. |
|-----|--|---------------------|------|
| 1   | SHAFT, BLADE DRIVE WHEEL                                     | 088475              | 1    |
| 2   | BOLT, M10x25 8.8 HEX HEAD FULL THREAD                        | F81003-31           | 1    |
| 3   | WASHER, BLADE DRIVE WHEEL                                    | 088956-1            | 1    |
|     | PULLEY ASSEMBLY, BLADE DRIVE                                 | 088561              | 1    |
| 4   | Pulley, 3-Groove 484 mm Diameter                             | 089457-1            | 1    |
| 5   | Bushing, Blade Drive Wheel                                   | 088476              | 1    |
| 6   | Bearing, 3208.2rsr.tvh (FAG) Rolling                         | 088449              | 2    |
| 7   | Spacer, Drive Bearing  | 088478              | 1    |
| 8   | Key, A20x12x100 Parallel                                     | 088477              | 1    |
| 9   | WHEEL, BLADE DRIVE   | 090811 <sup>1</sup> | 1    |
| 10  | WASHER, MB21 (FAG) LOCK                                      | 088451              | 1    |
| 11  | NUT, KM21(M105X2) (FAG) LOCK                                 | 088450              | 1    |
| 12  | BAR, WHEEL SCRAPER   | 088781              | 1    |
| 13  | SHAFT, WHEEL SCRAPER   | 088780-1            | 1    |

## **3** Blade Wheels & Tensioner

### *Blade Drive Assembly*

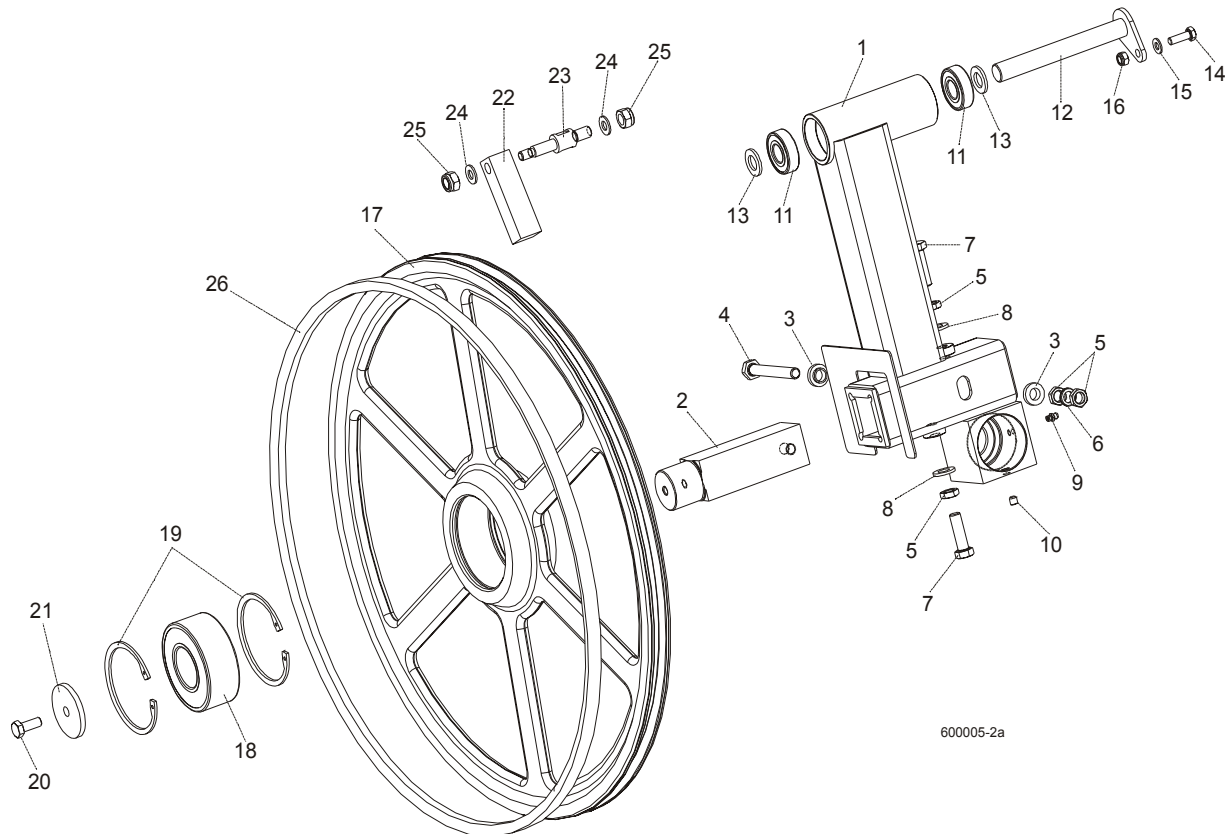
---

|    |  |                     |   |  |
|----|--|---------------------|---|--|
| 14 | WASHER, 10.5 ZINC FLAT                                 | F81055-1            | 2 |  |
| 15 | NUT, M12-8 HEX NYLON ZINC LOCK                         | F81034-2            | 2 |  |
| 16 | BOLT, M12X1.25X40 HEX HEAD                             | F81004-42           | 3 |  |
| 17 | WASHER, 13 FLAT ZINC                                   | F81056-1            | 3 |  |
| 18 | NUT, M12X1.25 8.8 THIN ZINC                            | F81034-5            | 3 |  |
| 19 | SCREW, M16X1.5X50-33H HEX HEAD FULL DOG POINT SET ZINC | F81006-14           | 1 |  |
| 20 | WASHER, 17 ZINC FLAT                                   | F81058-1            | 1 |  |
| 21 | NUT, M16x1.5-08-B ZINC THIN                            | F81036-6            | 1 |  |
| 22 | BELT, BLADE WHEEL B72.5                                | 017922 <sup>2</sup> | 1 |  |

<sup>1</sup> Steel blade wheels ( not belted, WM part# 088420-1 ) are used with optional all-ceramic blade guides only.

<sup>2</sup> Used with standard blade guides only.

### 3.2 Idle Blade Wheel Assembly



600005-2a

| REF | DESCRIPTION (◆ Indicates Parts Available In Assemblies Only) | PART #    | QTY. |
|-----|--|-----------|------|
|     | <b>TUBE WELDMENT, LT60 IDLE SIDE BLADE WHEEL COMPLETE</b>    | 088762    | 1    |
| 1   | Tube Weldment, LT60 Idle Blade Wheel                         | 088434-1  | 1    |
| 2   | Shaft, Idle Blade Wheel                                      | 088474    | 1    |
| 3   | Washer, Zinc Special   | 086769-1  | 2    |
| 4   | Bolt, M12x1.25x100-8.8 Hex Head Zinc                         | F81004-41 | 1    |
| 5   | Nut, M12x1.25 8.8 Hex ZincThin                               | F81034-5  | 4    |
| 6   | Washer, Z12.2 Split Zinc Lock                                | F81056-2  | 1    |
| 7   | Bolt, M12x1.25x40 Hex Head                                   | F81004-42 | 2    |
| 8   | Washer, 13 Zinc Flat   | F81056-1  | 2    |
| 9   | Fitting, M6 Straight Grease                                  | 086280    | 1    |
| 10  | Screw, M8x8-33H Hex Socket Set Flat Point Zinc               | F81014-1  | 1    |
| 11  | Bearing, 6204 2RS-CX Rolling                                 | 088447    | 2    |
| 12  | <b>PIN WELDMENT, PIVOT</b>                                   | 088759-1  | 1    |
| 13  | <b>WASHER, 17 ZINC FLAT</b>                                  | F81058-1  | 2    |
| 14  | <b>BOLT, M8X25-8.8-B HEX HEAD FULL THREAD ZINC</b>           | F81002-5  | 1    |
| 15  | <b>WASHER, 8.4 ZINC FLAT</b>                                 | F81054-1  | 1    |
| 16  | <b>NUT, M8-8-B HEX NYLON ZINC LOCK</b>                       | F81032-2  | 1    |

## 3 Blade Wheels & Tensioner

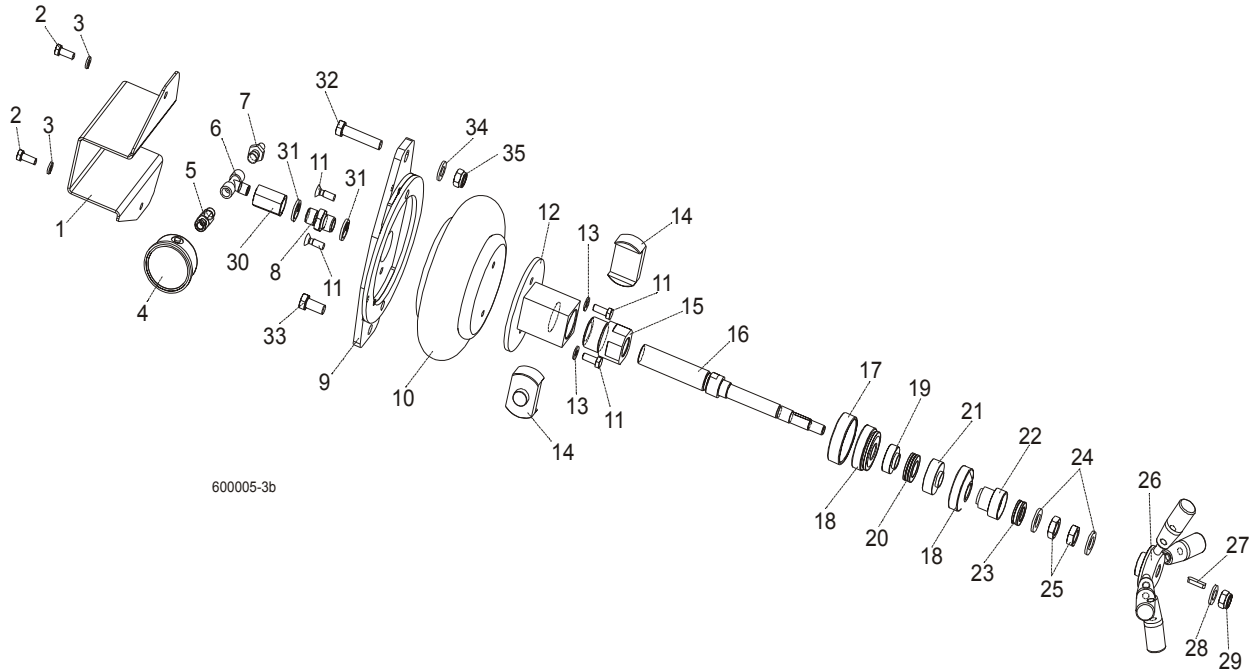
### *Idle Blade Wheel Assembly*

|    | <b>WHEEL ASSEMBLY, IDLE SIDE</b>             |                     | 1 |  |
|----|--|---------------------|---|--|
| 17 | Wheel, Blade Idle Side                       | 090810 <sup>1</sup> | 1 |  |
| 18 | Bearing, 3309B.2RSR.TVH-P66 FAG              | 086428              | 1 |  |
| 19 | Ring, W100 Spring Retaining                  | F81090-10           | 2 |  |
| 20 | <b>BOLT, M10X25 8.8 HEX HEAD FULL THREAD</b> | F81003-31           | 1 |  |
| 21 | <b>WASHER, IDLE BLADE WHEEL RETAINING</b>    | 088957-1            | 1 |  |
| 22 | <b>SCRAPER, IDLE BLADE WHEEL</b>             | 088781              | 1 |  |
| 23 | <b>SHAFT, SHORT ZINC WHEEL SCRAPER</b>       | 088779-1            | 1 |  |
| 24 | <b>WASHER, 10.5 ZINC FLAT</b>                | F81055-1            | 2 |  |
| 25 | <b>NUT, M12-8 HEX NYLON ZINC LOCK</b>        | F81034-2            | 2 |  |
| 26 | BELT, BLADE WHEEL B72.5                      | 017922 <sup>2</sup> | 1 |  |

<sup>1</sup> Steel blade wheels ( not belted, WM part# 088419-1 ) are used with optional all-ceramic blade guides only

<sup>2</sup> Used with standard blade guides only.

### 3.3 Blade Tensioner Assembly



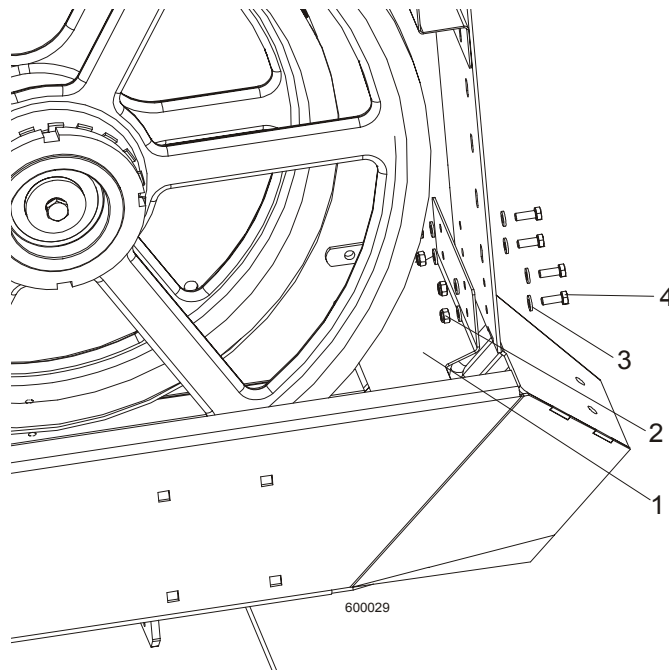
| REF | DESCRIPTION (◆ Indicates Parts Available In Assemblies Only) | PART #    | QTY. |
|-----|--|-----------|------|
|     | <b>BLADE TENSIONER, COMPLETE</b>                             | 088790    | 1    |
| 1   | Guard, Air Pressure Gauge                                    | 088924    | 1    |
| 2   | Bolt, M8x20-8.8-B Hex Head Full Thread Zinc                  | F81002-4  | 2    |
| 3   | Washer 8.2 Zinc Split  | F81054-4  | 2    |
| 4   | Gauge, M63T-2,5/20G G 1/8 0-0,6 MPa/PSI Air Pressure         | 088568    | 1    |
| 5   | Nipple, 1/8" Thread x 1/4" Thread                            | 088571    | 1    |
| 6   | Fitting, PO 2301 002 2 Tee Connector                         | 088573    | 1    |
| 7   | Fitting, 1/4" Thread 390 004 004 0 (REXROTH) Air Tank Valve  | 088575    | 1    |
| 8   | Nipple, G1/4z/G1/4z 893-104-430-4                            | 090807    | 1    |
| 9   | Bracket, Air Bag Mount                                       | 088798-1  | 1    |
| 10  | Bag, POJ 192 308 100 0 Air                                   | 088576    | 1    |
| 11  | Screw, M8x25 Cross Recessed Countersunk Head Zinc            | F81002-51 | 4    |
| 12  | Tube Weldment, Tensioner Nut                                 | 088795-1  | 1    |
| 13  | Washer, 8.4 Zinc Flat  | F81054-1  | 2    |
| 14  | Plate, Tube Guide  | 089433    | 1    |
| 15  | Nut, Blade Tensioner   | 088794    | 1    |
| 16  | Bolt, Blade Tensioner Special                                | 088793-1  | 1    |
| 17  | Seat, Spherical Bearing Threaded                             | 088803-1  | 1    |
| 18  | Bearing, GE20 AW (ELGES) Spherical Plain Thrust              | 089430    | 2    |
| 19  | Bushing, Bearing Spacer                                      | 088791    | 1    |

## 3

**Blade Wheels & Tensioner***Blade Tensioner Assembly*

|    |   |           |   |  |
|----|---|-----------|---|--|
| 20 | Bearing, 51104 Thrust Ball                        | 088989    | 1 |  |
| 21 | Seat, 51104 Thrust Bearing                        | 089439    | 1 |  |
| 22 | Seat, 51103 Thrust Bearing                        | 089440-1  | 1 |  |
| 23 | Bearing, 51103 FLT Thrust Ball                    | 086675    | 1 |  |
| 24 | Washer, 17 Zinc Flat                              | F81058-1  | 2 |  |
| 25 | Nut, M16x1,5-08-B Zinc Thin                       | F81036-6  | 2 |  |
| 26 | Handle, Blade Tensioner Complete                  | 089431    | 1 |  |
| 27 | Key, A5x5x25 Parallel                             | 089432    | 1 |  |
| 28 | Washer, 13 Zinc Flat                              | F81056-1  | 1 |  |
| 29 | Nut, M12-8 Hex Nylon Zinc Lock                    | F81034-2  | 1 |  |
| 30 | Nipple, G1/4w/G1/4w 893-302-000-4                 | 090808    | 1 |  |
| 31 | Seal, G1/4 866-014-000-0                          | 090809    | 2 |  |
| 32 | <b>BOLT, M12x55-8.8 HEX HEAD ZINC</b>             | F81004-12 | 1 |  |
| 33 | <b>BOLT, M12x25-8.8 HEX HEAD FULL THREAD ZINC</b> | F81004-31 | 1 |  |
| 34 | <b>WASHER,13 ZINC FLAT</b>                        | F81056-1  | 1 |  |
| 35 | <b>NUT, M12-8 HEX NYLON ZINC LOCK</b>             | F81034-2  | 1 |  |

### 3.4 Sawdust Flow Guide



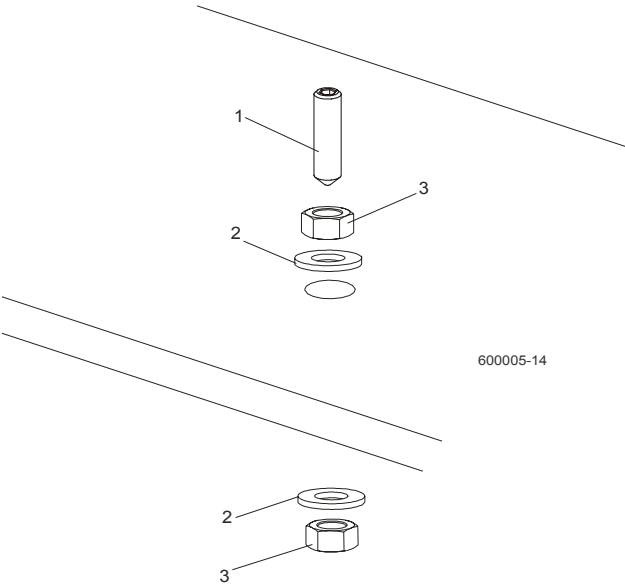
| REF | DESCRIPTION (◆ Indicates Parts Available In Assemblies Only) | PART #    | QTY. |  |
|-----|--|-----------|------|--|
| 1   | Guide, Sawdust Flow Painted                                  | 090506    | 1    |  |
| 2   | Nut, M6-8-B Hex Nylon Zinc Lock                              | F81031-2  | 4    |  |
| 3   | Washer 6.4 Zinc Flat   | F81053-1  | 8    |  |
| 4   | Bolt, M6x16-8.8, Hex Head Full Thred, Zinc                   | F81001-32 | 4    |  |





**SECTION 4 SAW HEAD**

**4.1 Middle Throat Screw**

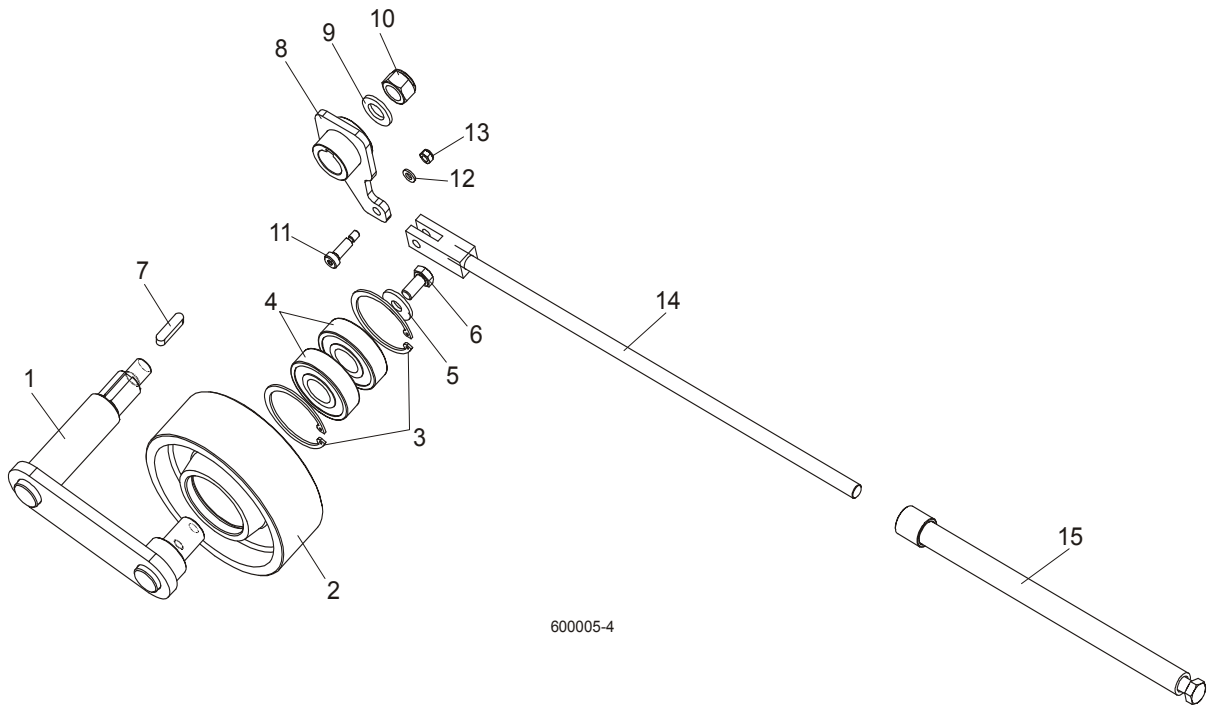


| REF | DESCRIPTION (◆ Indicates Parts Available In Assemblies Only) | PART #    | QTY. |  |
|-----|--|-----------|------|--|
| 1   | SCREW, M10X40-45H HEX SOCKET SET CONE POINT ZINC             | F81003-61 | 1    |  |
| 2   | WASHER, 10.5 ZINC FLAT                                       | F81055-1  | 2    |  |
| 3   | NUT, M10-8-B ZINC HEX  | F81033-3  | 2    |  |

# 4 Saw Head

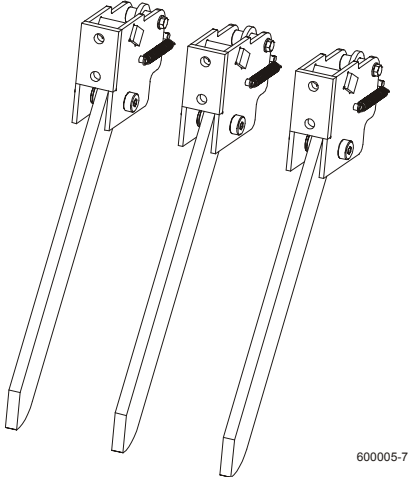
## Drive Belt Tensioner

### 4.2 Drive Belt Tensioner

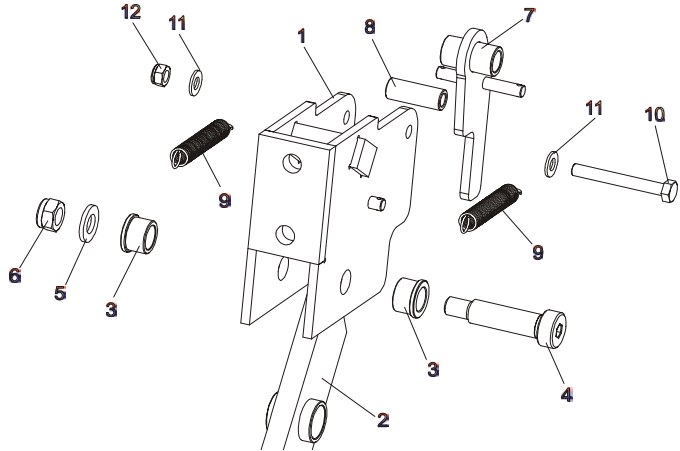


| REF | DESCRIPTION (◆ Indicates Parts Available In Assemblies Only) | PART #    | QTY. |
|-----|--|-----------|------|
|     | <b>TENSIONER ASSEMBLY, DRIVE BELT</b>                        | 088786    | 1    |
| 1   | Pivot Weldment, Drive Belt Tensioner                         | 088810-1  | 1    |
| 2   | Wheel, Belt Tension  | 088814    | 1    |
| 3   | Ring, 62 mm Inside Spring Retaining                          | F81090-1  | 2    |
| 4   | Bearing, 6305 2RS NSK  | P08066    | 2    |
| 5   | Washer, 11 Zinc Flat Special                                 | 088787-1  | 1    |
| 6   | Bolt, M10x20-5.8 Hex Head Full Thread Zinc                   | F81003-1  | 1    |
| 7   | Key, A8X7X32 Parallel  | 088564    | 1    |
| 8   | Arm Weldment, Drive Belt Tensioner                           | 088807-1  | 1    |
| 9   | Washer, 17 Zinc Flat   | F81058-1  | 1    |
| 10  | Nut, M16-5.8 Zinc Hex  | F81036-1  | 1    |
| 11  | Bolt, 8/M6X20 12.9 ISO 7379 BOSSARD                          | F81001-25 | 1    |
| 12  | Washer 6.4 Zinc Flat   | F81053-1  | 1    |
| 13  | Nut, M6-8-B Hex Nylon Zinc Lock                              | F81031-2  | 1    |
| 14  | Rod Weldment, Threaded                                       | 088789-1  | 1    |
| 15  | Tube Weldment, Threaded                                      | 088782-1  | 1    |

4.3 Board Return Assembly



600005-7

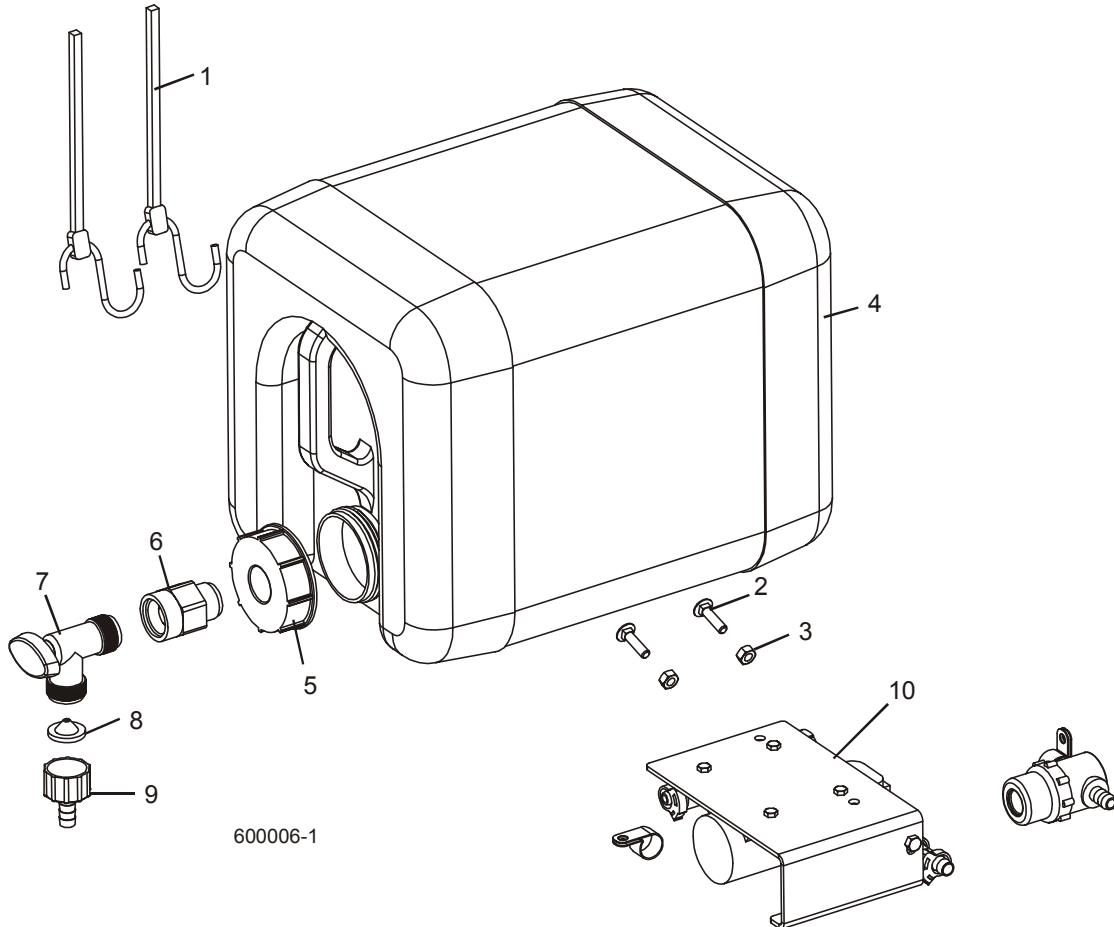


| REF | DESCRIPTION (◆ Indicates Parts Available In Assemblies Only) | PART #    | QTY. |
|-----|--|-----------|------|
|     | <b>BOARD RETURN ASSEMBLY</b>                                 | 090120    | 3    |
| 1   | <b>MOUNT WELDMENT, BOARD RETURN ARM</b>                      | 090109-1  | 3    |
| 2   | <b>ARM, BOARD RETURN</b>                                     | 090112-1  | 3    |
| 3   | <b>Bushing, Bronze</b>                                       | 086676    | 6    |
| 4   | <b>BOLT, 16/M12X50-12.9 ISO7379-BOSSARD SOCKET HEAD</b>      | F81004-25 | 3    |
| 5   | <b>WASHER, 13 ZINC FLAT</b>                                  | F81056-1  | 3    |
| 6   | <b>NUT, M12-8 HEX NYLON ZINC LOCK</b>                        | F81034-2  | 6    |
| 7   | <b>LATCH WELDMENT, BOARD RETURN ARM</b>                      | 090118-1  | 3    |
| 8   | <b>SPACER, ZINC</b>  | 090115-1  | 3    |
| 9   | <b>SPRING, 1/2 X 2 1/4 X .06 EXTENSION</b>                   | 014817    | 6    |
| 10  | <b>BOLT, M8 X 65-5.8 HEX HEAD ZINC</b>                       | F81002-3  | 3    |
| 11  | <b>WASHER, 8.4 ZINC FLAT</b>                                 | F81054-1  | 6    |
| 12  | <b>NUT, M8-8-B HEX NYLON ZINC LOCK</b>                       | F81032-2  | 3    |

# 4 Saw Head

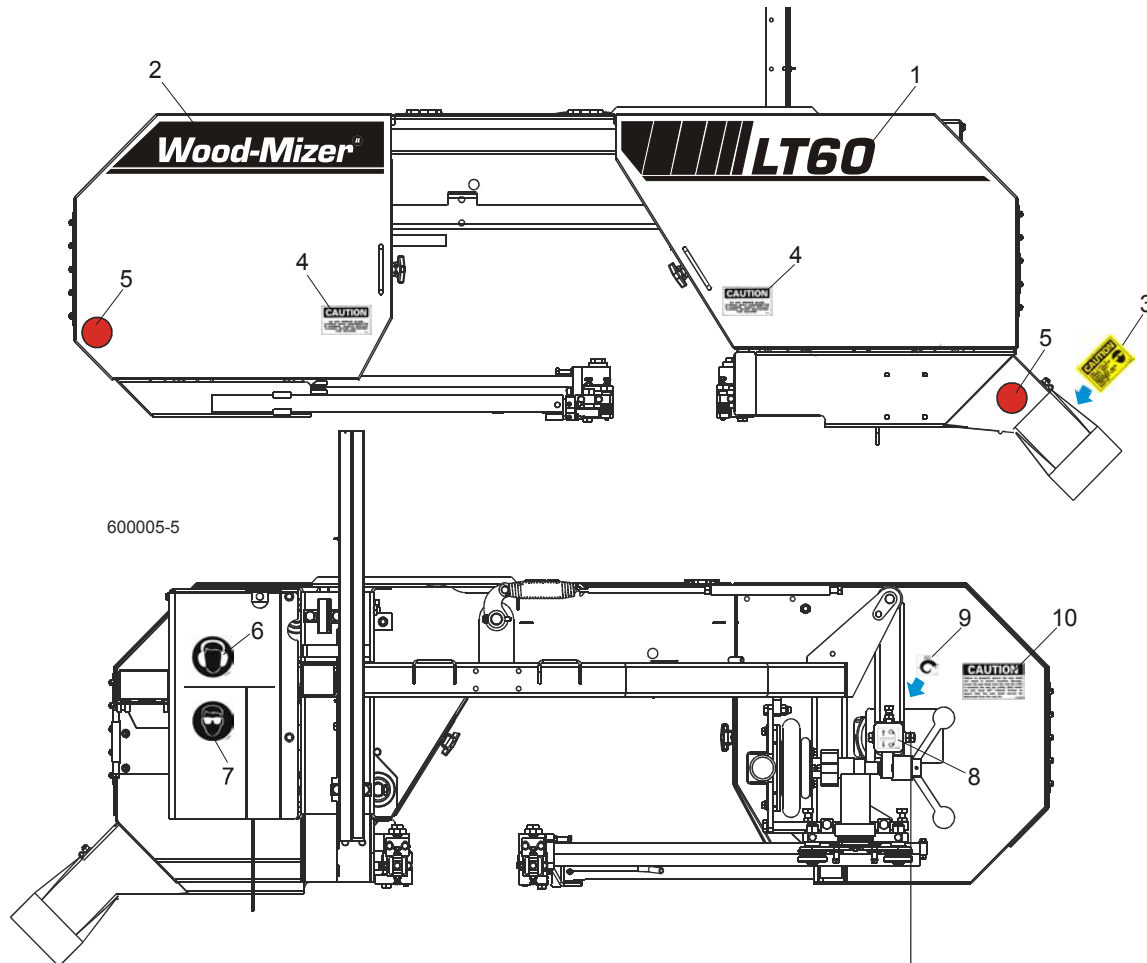
## Water Lube Assembly

### 4.4 Water Lube Assembly



| REF | DESCRIPTION (◆ Indicates Parts Available In Assemblies Only) | PART #    | QTY. |   |
|-----|--|-----------|------|---|
| 1   | STRAP, 20" RUBBER  | P11668    | 2    |   |
| 2   | BOLT, 1/4-20 X 1" CARRIAGE HEAD                              | F05005-34 | 2    |   |
| 3   | NUT, 1/4-20 HEX LOCK   | F05010-21 | 2    |   |
|     | <b>BOTTLE ASSY, WATER LUBE</b>                               | 014642    | 1    |   |
| 4   | Bottle, 5-Gallon Water Lube                                  | 014637    | 1    | ◆ |
| 5   | Cap, Water Lube Bottle Buttress Thread                       | 014773    | 1    |   |
| 6   | FITTING, 3/4FPT X 3/4MPT                                     | 014636    | 1    |   |
| 7   | FITTING, WATER LUBE SHUTOFF VALVE                            | 014100    | 1    |   |
| 8   | FILTER, WATER LUBE   | 016086    | 1    |   |
| 9   | FITTING, 5/8" NPT TO 3/8" HOSE BARB                          | 014113    | 1    |   |
| 10  | LUBEMIZER PARTS/HOSES (SEE LUBEMIZER OPTION MANUAL)          |           |      |   |

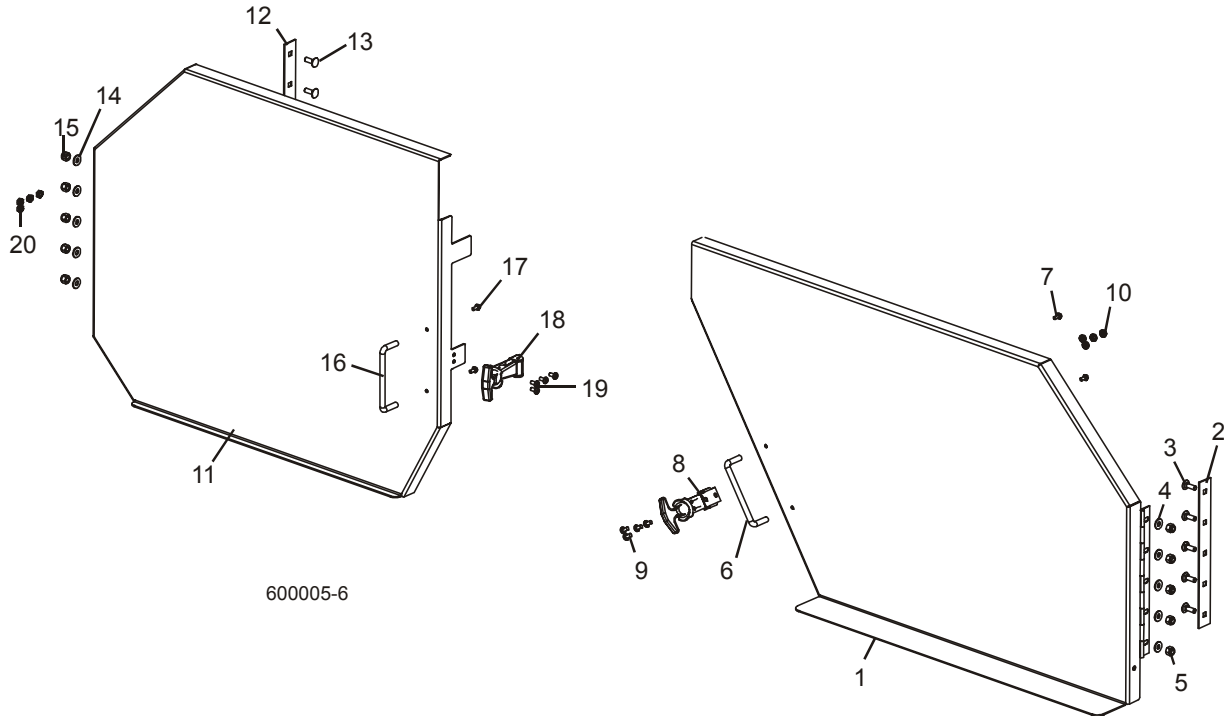
## 4.5 Saw Head Decals



| REF | DESCRIPTION (◆ Indicates Parts Available In Assemblies Only) | PART #  | QTY. |
|-----|--|---------|------|
| 1   | DECAL, LT60 LOGO   | 088908  | 1    |
|     | DECAL, LT70 LOGO   | 089550  | 1    |
|     | DECAL, LT80 LOGO   | 087932  | 1    |
| 2   | DECAL, WOOD-MIZER LOGO                                       | 087935  | 1    |
| 3   | DECAL, SAWDUST CHUTE CAUTION                                 | P11754  | 1    |
| 4   | DECAL, BLADE COVERS DANGER                                   | S20039  | 2    |
| 5   | REFLECTOR, 2" RED  | P07452  | 2    |
| 6   | DECAL, EYE WARNING   | S12004G | 1    |
| 7   | DECAL, EAR WARNING   | S12005G | 1    |
| 8   | DECAL, BLADE ALIGNMENT                                       | P11789  | 1    |
| 9   | DECAL, BLADE TENSION SCREW                                   | P11790  | 1    |
| 10  | DECAL, SAW HEAD REST CAUTION                                 | S12581  | 1    |

# 4 Saw Head Blade Housing Covers

## 4.6 Blade Housing Covers



600005-6

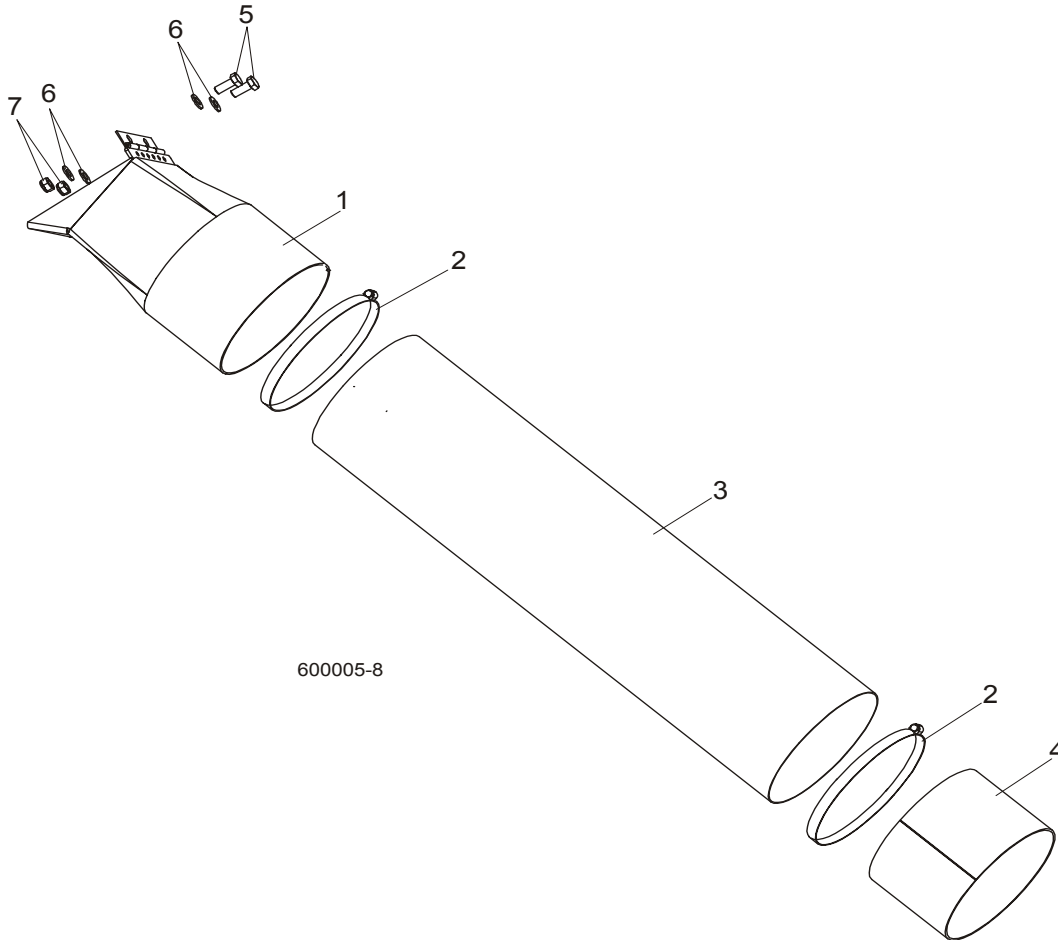
| REF | DESCRIPTION (◆ Indicates Parts Available In Assemblies Only) | PART #     | QTY. |   |
|-----|--|------------|------|---|
|     | <b>COVER ASSEMBLY, DRIVE SIDE BLADE HOUSING</b>              | 034374     | 1    |   |
| 1   | Cover Weldment, Drive Side Blade Housing                     | 034317     | 1    | ◆ |
| 2   | Plate, Hinge Backing   | 034251     | 1    |   |
| 3   | Bolt, 1/4-20 x 3/4" Carriage Head                            | F05005-113 | 5    |   |
| 4   | Washer, 1/4" SAE Flat  | F05011-11  | 5    |   |
| 5   | Nut, 1/4-20 Hex Nylon Lock                                   | F05010-69  | 5    |   |
| 6   | Handle, Blade Housing Cover                                  | P08065     | 1    |   |
| 7   | Screw, #8-32 x 3/8" Self-tapping                             | F05015-8   | 2    |   |
| 8   | Latch, Flexible Draw   | 014829     | 1    |   |
| 9   | Screw, #10-24 x 3/8" Cross Slotted Pan Head                  | F05004-3   | 4    |   |
| 10  | Nut, #10-24 Hex Self-Locking                                 | F05010-14  | 4    |   |
|     | <b>COVER ASSEMBLY, IDLE SIDE BLADE HOUSING</b>               | 034375     | 1    |   |
| 11  | Cover Weldment, Idle Side Blade Housing                      | 034318     | 1    | ◆ |
| 12  | Plate, Hinge Backing   | 034251     | 1    |   |
| 13  | Bolt, 1/4-20 x 3/4" Carriage Head                            | F05005-113 | 5    |   |
| 14  | Washer, 1/4" SAE Flat  | F05011-11  | 5    |   |
| 15  | Nut, 1/4-20 Hex Nylon Lock                                   | F05010-69  | 5    |   |
| 16  | Handle, Blade Housing Cover                                  | P08065     | 1    |   |
| 17  | Screw, #8-32 x 3/8" Self-tapping                             | F05015-8   | 2    |   |
| 18  | Latch, Flexible Draw   | 014829     | 1    |   |

|           |   |           |   |  |
|-----------|---|-----------|---|--|
| <b>19</b> | Screw, #10-24 x 3/8" Cross Slotted Pan Head | F05004-3  | 4 |  |
| <b>20</b> | Nut, #10-24 Hex Self-Locking                | F05010-14 | 4 |  |

# 4 Saw Head

## Sawdust Chute

### 4.7 Sawdust Chute



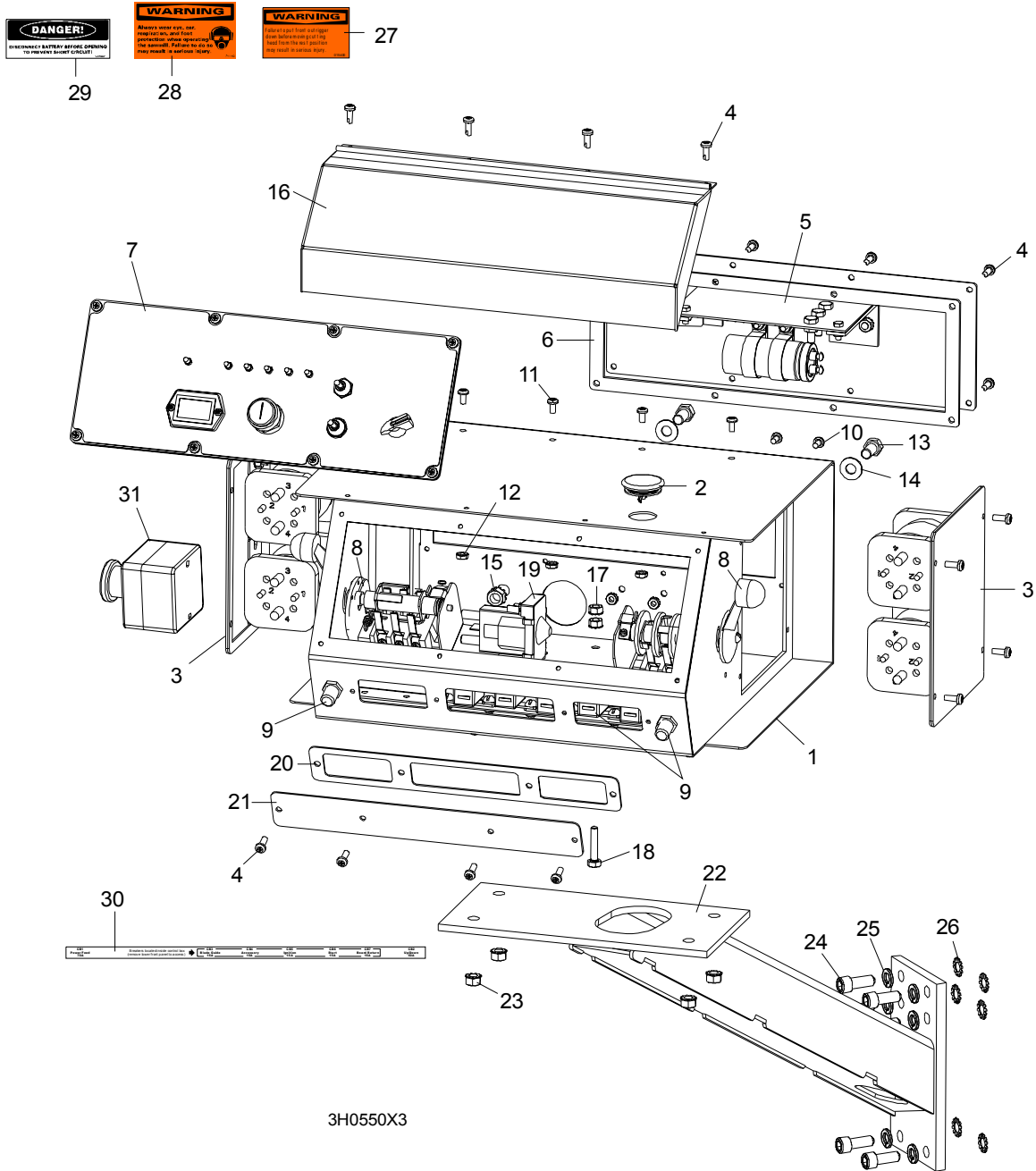
| REF | DESCRIPTION (◆ Indicates Parts Available In Assemblies Only) | PART #   | QTY. |  |
|-----|--|----------|------|--|
| 1   | CHUTE WELDMENT, SAWDUST                                      | 089352-1 | 1    |  |
| 2   | CLAMP, 152 MM  | 089358   | 2    |  |
| 3   | TUBE, SAWDUST CHUTE  | 090153   | 1    |  |
| 4   | TUBE, CHUTE END  | 090126-1 | 1    |  |
| 5   | BOLT, M8X20-8.8-B HEX HEAD FULL THREAD ZINC                  | F81002-4 | 2    |  |
| 6   | WASHER 8.4 ZINC FLAT   | F81054-1 | 4    |  |
| 7   | NUT, M8-8-B HEX NYLON ZINC LOCK                              | F81032-2 | 2    |  |





## SECTION 5 CONTROL & BATTERY BOXES

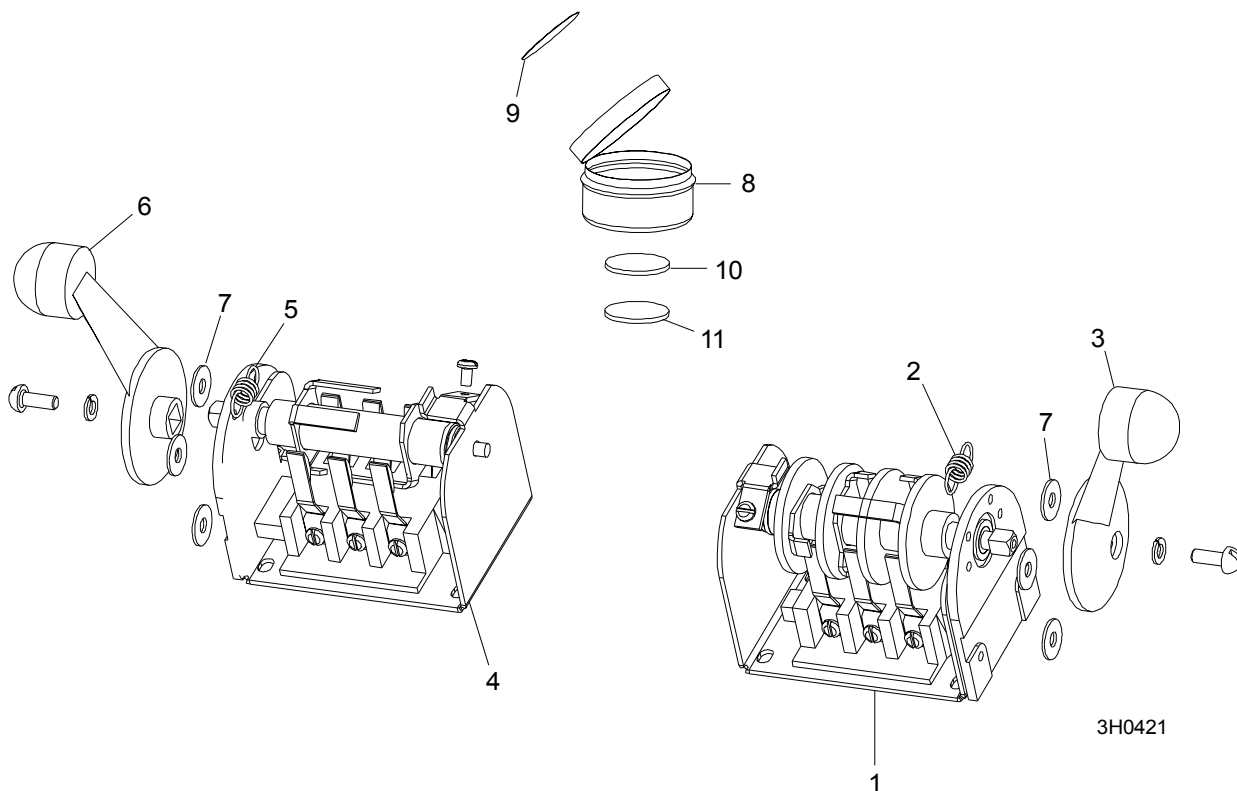
### 5.1 Control Assembly (Gas/Diesel)



| REF | DESCRIPTION (◆ Indicates Parts Available In Assemblies Only) | PART # | QTY. |
|-----|--|--------|------|
|-----|--|--------|------|

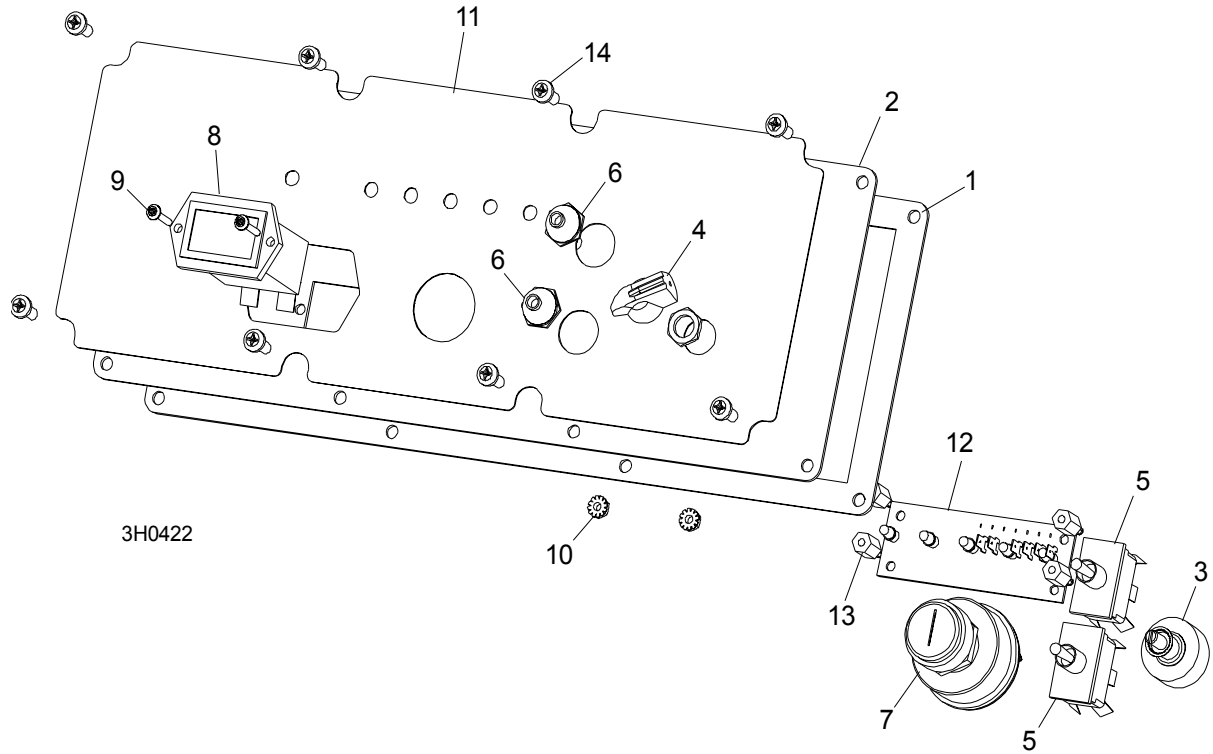
|    |  |            |    |   |
|----|--|------------|----|---|
|    | <b>CONTROL BOX ASSEMBLY, E25</b>                                       | 086571     | 1  |   |
|    | <b>CONTROL BOX ASSEMBLY, D40</b>                                       | 086572     | 1  |   |
| 1  | Box Weldment, Sawmill Control  | 016135     | 1  | ◆ |
| 2  | Plug, AS075 Oiltite  | E20570     | 1  |   |
| 3  | Solenoid Parts ( <a href="#">See Section 5.4</a> )                     |            |    |   |
| 4  | Screw, #10-24 x 1/2" Pan Head  | F05015-17  | 16 |   |
| 5  | Panel Assembly, Power Feed Control                                     | 024412     | 1  |   |
|    | Control Module, Power Feed SMT   | 024396-1   | 1  |   |
| 6  | Gasket, Rear Access Panel  | 015278     | 1  |   |
| 7  | Front Control Panel & Wiring Harnesses ( <a href="#">Section 5.5</a> ) |            |    |   |
| 8  | Drum Switches ( <a href="#">Section 5.2</a> )                          |            |    |   |
| 9  | Circuit Breakers ( <a href="#">Section 5.3</a> )                       |            |    |   |
| 10 | Screw, #10-24 x 3/8" Phillips Pan Head                                 | F05004-3   | 2  |   |
| 11 | Screw, #10-24 x 3/8" Phillips Pan Head Machine with Neo Washer         | F05004-148 | 4  |   |
| 12 | Nut, #10-24 Self Locking   | F05010-14  | 6  |   |
| 13 | Bolt, 3/8-16 x 3/4" Hex Head   | F05007-27  | 2  |   |
| 14 | Washer, 10.5 Flat  | F81055-1   | 2  |   |
| 15 | Nut, 3/8" Lock Nut   | F05010-19  | 2  |   |
| 16 | Cover, Control Box Hinged  | 015304     | 1  |   |
| 17 | Nut, 1/4-20 Self Locking   | F05010-9   | 2  |   |
| 18 | Bolt, 1/4-20 x 1 1/4" Hex Head Tap                                     | F05005-3   | 1  |   |
| 19 | Solenoid, Accessory  | P10449     | 1  |   |
|    | Diode Assembly, Solenoid Coil Chassis BND                              | 087496     | 1  |   |
| 20 | Gasket, Front Access Panel   | 015266     | 1  |   |
| 21 | Panel, Control Box Front Access  | 086704-1   | 1  |   |
| 22 | <b>MOUNT WELDMENT, STANDARD CONTROL BOX</b>                            | 086732-1   | 1  |   |
| 23 | <b>NUT, 5/16-18 SELF-LOCKING HEX</b>                                   | F05010-20  | 4  |   |
| 24 | <b>BOLT, M10 X 25-8.8 SOCKET HEAD</b>                                  | F81003-32  | 4  |   |
| 25 | <b>WASHER, 10.2 SPLIT LOCK</b>   | F81055-2   | 4  |   |
| 26 | <b>WASHER, 3/8" EXTERIOR STAR LOCK</b>                                 | F05011-36  | 4  |   |
| 27 | <b>DECAL, FRONT OUTRIGGER WARNING</b>                                  | 015400     | 1  |   |
| 28 | <b>DECAL, EAR/EYE PROTECTION WARNING</b>                               | S11753     | 1  |   |
| 29 | <b>DECAL, DISCONNECT BATTERY DANGER</b>                                | S12002     | 1  |   |
| 30 | <b>DECAL, CIRCUIT BREAKER ID ('98 SUPER)</b>                           | 024362     | 1  |   |
| 31 | <b>SWITCH, RED EMERGENCY STOP XALJ174F</b>                             | E22703-2   | 1  |   |

## 5.2 Drum Switches



| REF | DESCRIPTION (◆ Indicates Parts Available In Assemblies Only) | PART #    | QTY.   |   |
|-----|--|-----------|--------|---|
|     | <b>SWITCH ASSEMBLY, UP/DOWN DRUM</b>                         | E20440    | 1      |   |
| 1   | Switch, S12 Bulk Drum  | E20440-B  | 1      | ◆ |
| 2   | Spring, Drum Switch  | P12570    | 1      |   |
| 3   | Handle, Drum Switch Replacement                              | P12500    | 1      |   |
|     | <b>SWITCH ASSEMBLY, POWER FEED DRUM</b>                      | E20438    | 1      |   |
| 4   | Switch, S10 Bulk Drum  | E20438-B  | 1      | ◆ |
| 5   | Spring, Drum Switch  | P12570    | 1      |   |
| 6   | Handle, Drum Switch Replacement                              | P12500    | 1      |   |
| 7   | <b>WASHER, #8 SAE FLAT</b>                                   | F05011-41 | 6      |   |
|     | <b>CUP ASSEMBLY, DRUM SWITCH GREASE</b>                      | A20463    | 1      |   |
| 8   | Cup, Plastic Container                                       | P20464    | 1      | ◆ |
| 9   | Decal, Grease Cup Label                                      | P20467    | 1      |   |
| 10  | Pad, Velcro Loop   | P20466    | 1      | ◆ |
| 11  | Pad, Velcro Hook   | P20465    | 1      | ◆ |
|     | Grease, High Temp Drum Switch                                | P20468    | .011ml | ◆ |

### 5.3 Front Panel Assembly & Harnesses



| REF | DESCRIPTION (◆ Indicates Parts Available In Assemblies Only) | PART #    | QTY. |
|-----|--|-----------|------|
|     | <b>PANEL ASSEMBLY, CONTROL FRONT (E25)</b>                   | 086760    | 1    |
|     | <b>PANEL ASSEMBLY, CONTROL FRONT (D40)</b>                   | 087401    | 1    |
| 1   | Gasket, Front Panel  | 088387    | 1    |
| 2   | Panel Weldment, Control                                      | 015302    | 1    |
| 3   | Switch Assembly, Feed Rate                                   | E20519    | 1    |
| 4   | Knob, Feed Rate With Set Screw                               | P06257    | 1    |
| 5   | Switch, Toggle   | 024200    | 2    |
| 6   | Boot, Toggle Switch Rubber                                   | P02575    | 2    |
| 7   | Switch, Key  | P04350    | 1    |
| 8   | Meter, Hour  | 015401    | 1    |
| 9   | Screw, 6-42 x 3/4" Socket Button Head Cap Stainless Steel    | F05004-93 | 2    |
| 10  | Nut, 6-23 Self Locking                                       | F05010-59 | 2    |
| 11  | Decal, Control Panel (E25)                                   | 015271    | 1    |
|     | Decal, Control Panel (D40)                                   | 015269    | 1    |
| 12  | Board, LED Circuit (E25)                                     | 015416    | 1    |
|     | Board, LED Circuit (D40)                                     | 015409    | 1    |
| 13  | Spacer, 1/2" #6 Threaded                                     | 023147    | 4    |
|     | <b>HARNESS ASSEMBLY, UPPER WIRING (E25)</b>                  | 024843    | 1    |
|     | <b>HARNESS ASSEMBLY, UPPER WIRING (D40)</b>                  | 087107    | 1    |
|     | <b>HARNESS ASSEMBLY, LOWER WIRING (D40)</b>                  | 087106    | 1    |
|     | <b>HARNESS ASSEMBLY, LOWER WIRING (E25)</b>                  | 015421    | 1    |

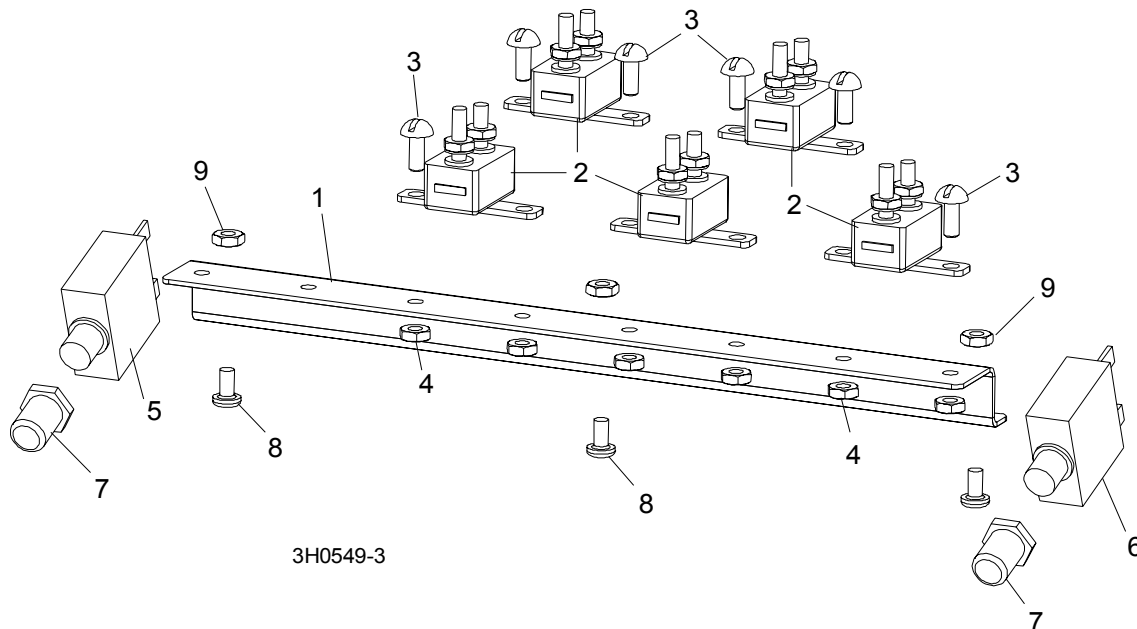
# 5 Control & Battery Boxes

*Front Panel Assembly & Harnesses*

---

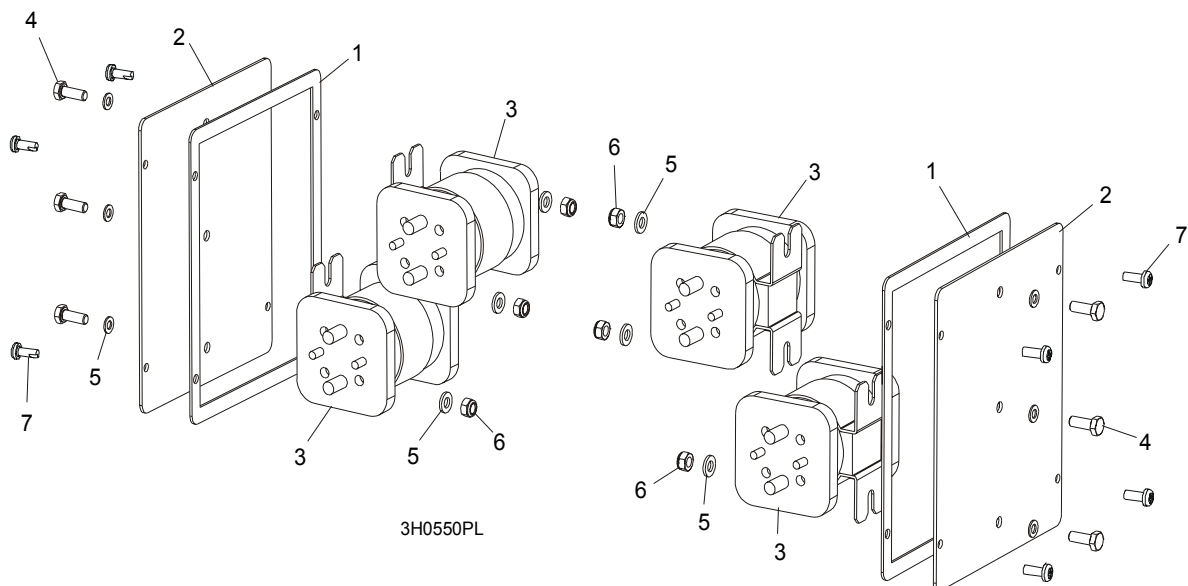
|    |                               |           |   |  |
|----|-------------------------------|-----------|---|--|
| 14 | Screw, #10-24 x 1/2" Pan Head | F05015-17 | 8 |  |
|----|-------------------------------|-----------|---|--|

## 5.4 Circuit Breakers



| REF | DESCRIPTION (◆ Indicates Parts Available In Assemblies Only) | PART #    | QTY. |
|-----|--|-----------|------|
|     | <b>BREAKER ASSEMBLY, SAWMILL CONTROL CIRCUIT</b>             | 015621    | 1    |
| 1   | Rail, Circuit Breaker  | 015310    | 1    |
| 2   | Breaker, 15 Amp Manual Reset                                 | E20430    | 5    |
| 3   | Screw, #8-32 X 1/2" Slotted Head                             | F05004-12 | 6    |
| 4   | Nut, #8-32 Hex Self-Locking                                  | F05010-41 | 6    |
| 5   | <b>BREAKER, 70 AMP MANUAL RESET PANEL MOUNT</b>              | 015527    | 1    |
| 6   | <b>BREAKER, 50 AMP MANUAL RESET PANEL MOUNT</b>              | 021256    | 1    |
| 7   | <b>BOOT, CIRCUIT BREAKER</b>                                 | 021253    | 2    |
| 8   | <b>SCREW, #10-24 X 3/8" PHILLIPS PAN HEAD</b>                | F05004-3  | 3    |
| 9   | <b>NUT, #10-24 SELF LOCKING</b>                              | F05010-14 | 3    |

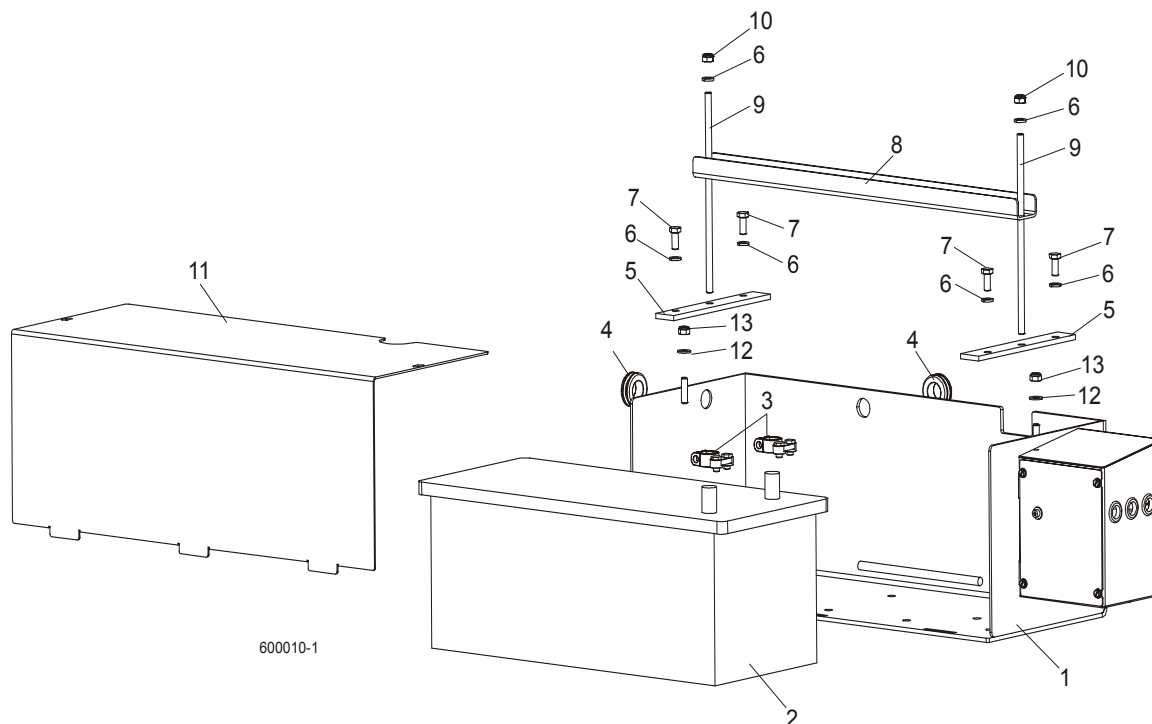
## 5.5 Solenoid Assemblies (Gas/Diesel Only)



| REF | DESCRIPTION (◆ Indicates Parts Available In Assemblies Only) | PART #    | QTY. |
|-----|--|-----------|------|
| 1   | GASKET, SIDE PANEL CONTROL                                   | 015274    | 2    |
| 2   | PANEL WELDMENT, SIDE   | 015307    | 2    |
| 3   | SOLENOID, 200A 12V DPST                                      | 015417    | 4    |
| 4   | BOLT, M6 X 16-5.8 HEX HEAD                                   | F81001-14 | 6    |
| 5   | WASHER, 6.4 FLAT   | F81053-1  | 12   |
| 6   | NUT, M6-8 HEX  | F81031-2  | 6    |
|     | DIODE ASSEMBLY, SOLENOID COIL CHASSIS GND                    | 015426    | 4    |
| 7   | SCREW, #10-24 X 1/2" PAN HEAD                                | F05015-17 | 8    |

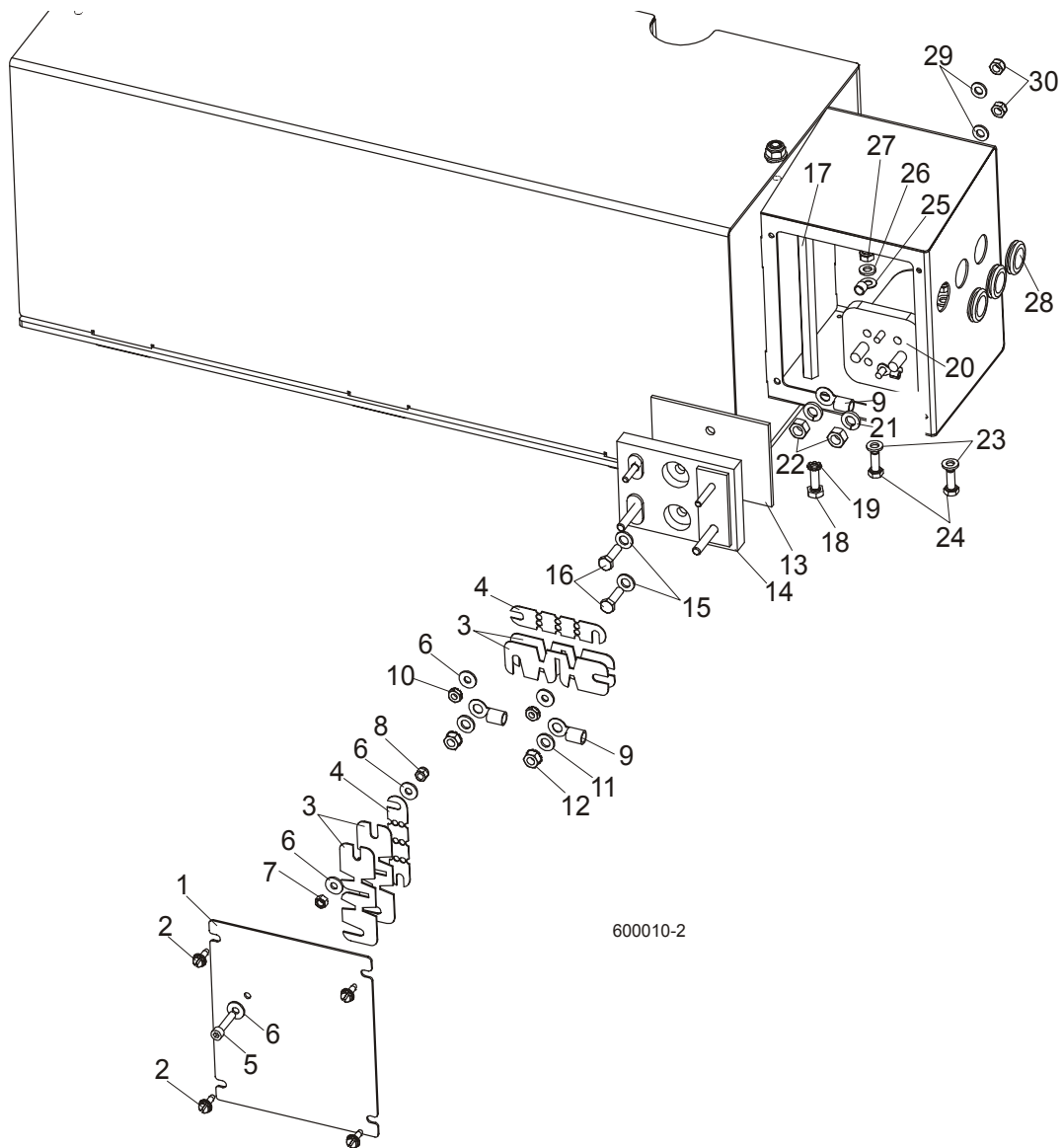


## 5.6 Battery Box Assembly (D42 Only)



| REF | DESCRIPTION (◆ Indicates Parts Available In Assemblies Only) | PART #   | QTY. |
|-----|--|----------|------|
|     | <b>BATTERY BOX, COMPLETE</b>                                 | 089794   | 1    |
| 1   | Box Weldment, LT60 Battery                                   | 088677-1 | 1    |
| 2   | Battery, 12V 180Ah "Banner"                                  | 089369   | 1    |
| 3   | Terminal, Battery  | P05085   | 2    |
| 4   | Grommet, 22 mm Rubber  | 087400   | 2    |
| 5   | Bar, Battery Retainer  | 088538-1 | 2    |
| 6   | Washer, 8.2 Split Zinc Lock                                  | F81054-4 | 6    |
| 7   | Bolt, M8x20-5.8 Hex Head Full Thread Zinc                    | F81002-1 | 4    |
| 8   | Channel, Battery Hold-Down                                   | 088357-1 | 1    |
| 9   | Rod, Battery Hold-Down                                       | 088356-1 | 2    |
| 10  | Nut, M8-8-B Hex Nylon Zinc Lock                              | F81032-2 | 2    |
| 11  | <b>COVER, BATTERY BOX</b>                                    | 088362-1 | 1    |
| 12  | <b>WASHER, 8.4 ZINC FLAT</b>                                 | F81054-1 | 2    |
| 13  | <b>NUT, M8-8-B HEX NYLON ZINC LOCK</b>                       | F81032-2 | 2    |

### 5.7 Fuse Box Assembly (D42 Only)



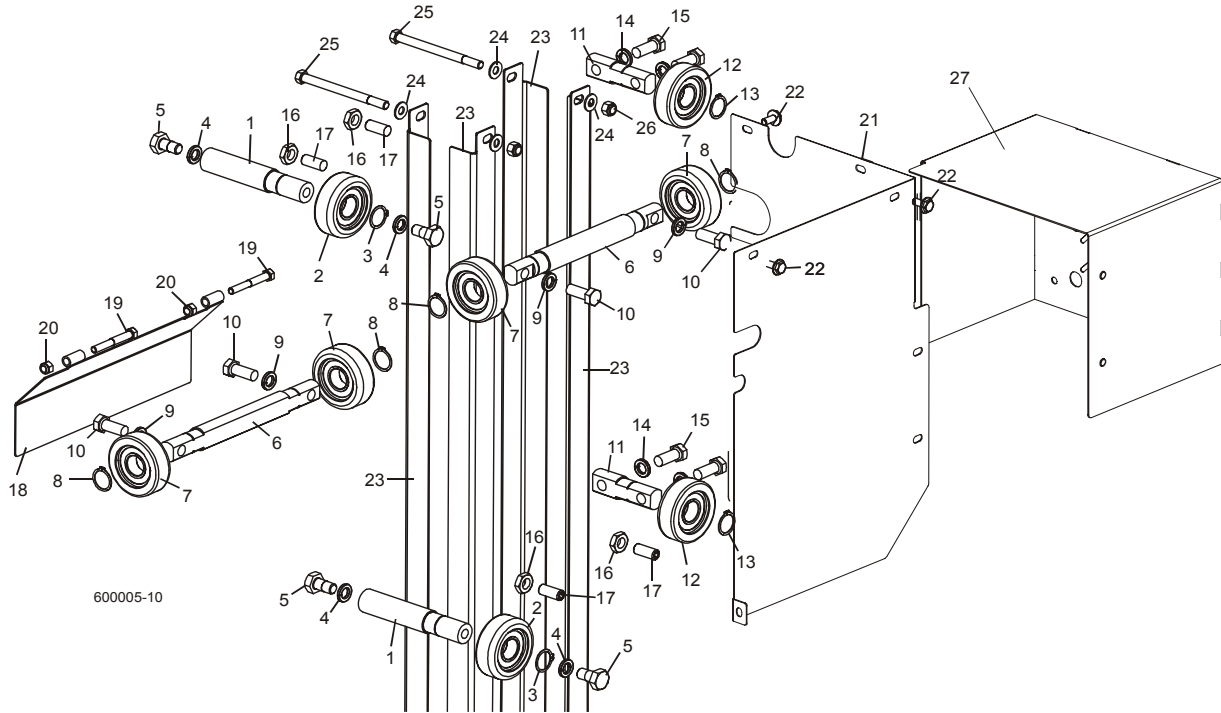
| REF | DESCRIPTION (◆ Indicates Parts Available In Assemblies Only) | PART #   | QTY. |  |
|-----|--|----------|------|--|
| 1   | COVER, FUSE BOX  | 086272-1 | 1    |  |
| 2   | SCREW, # 10-24 x 1/2 SELF-TAPPING                            | F05015-7 | 4    |  |
| 3   | FUSE LINK, 12V 225 AMP                                       | P11550   | 4    |  |
| 4   | FUSE LINK, 12V 150 AMP                                       | 023361   | 2    |  |
| 5   | SCREW, M5 x 25-8.8 HEX SOCKET HEAD CAP ZINC                  | F81000-7 | 1    |  |
| 6   | WASHER, 5.5 FLAT ZINC SPECIAL                                | F81052-3 | 5    |  |
| 7   | NUT, M5-8 ZINC HEX   | F81030-1 | 1    |  |
| 8   | NUT, M5-8 DIN 985 ZINC                                       | F81030-2 | 1    |  |

|    |   |           |   |  |
|----|---|-----------|---|--|
| 9  | TERMINAL, KO 35/8 RING                        | F81066-3  | 3 |  |
| 10 | NUT, #10-20 HEX ZINC SELF-LOCKING             | F05010-14 | 2 |  |
| 11 | WASHER, 7.4 ZINC FLAT                         | F81056-11 | 2 |  |
| 12 | NUT, 1/4-20 HEX ZINC SELF-LOCKING             | F05010-9  | 2 |  |
| 13 | PAD, 1/8" FUSE BOX INSULATOR                  | 015287    | 1 |  |
| 14 | BLOCK, SUPER FUSE MOUNT                       | 015288    | 1 |  |
| 15 | WASHER, 7.4 ZINC FLAT                         | F81056-11 | 2 |  |
| 16 | BOLT, M6 X 20-8.8 HEX HEAD FULL THREAD ZINC   | F81001-2  | 2 |  |
| 17 | TERMINAL, EXTENDED HEX STUD                   | 015517    | 1 |  |
| 18 | BOLT, 1/4-20 X 3/4" HEX HEAD FULL THREAD ZINC | F05005-1  | 1 |  |
| 19 | WASHER, 6.4 EXTERNAL TEETH ZINC LOCK          | F81053-2  | 1 |  |
| 20 | SOLENOID, 200A 12V SPST HYDRAULIC PUMP 1997   | 015470    | 1 |  |
| 21 | WASHER, 8.2 ZINC SPLIT LOCK                   | F81054-4  | 2 |  |
| 22 | NUT, 5/16-24 ZINC HEX                         | F05010-28 | 2 |  |
| 23 | WASHER, 6.4 ZINC FLAT                         | F81053-1  | 2 |  |
| 24 | BOLT, M6 X 16 8.8 HEX HEAD FULL THREAD ZINC   | F81001-15 | 2 |  |
| 25 | TERMINAL, KO1/8 RING                          | F05092-7  | 1 |  |
| 26 | WASHER, 6.4 ZINC FLAT                         | F81053-1  | 2 |  |
| 27 | NUT, M6-8-B HEX NYLON ZINC LOCK               | F81031-2  | 2 |  |
| 28 | GROMMET, 5/8" RUBBER WIRE                     | P11764    | 3 |  |
| 29 | WASHER, 6.4 ZINC FLAT                         | F81053-1  | 2 |  |
| 30 | NUT, M6-8-B HEX NYLON ZINC LOCK               | F81031-2  | 2 |  |



## SECTION 6 UP/DOWN SYSTEM

### 6.1 Up/Down Rollers & Covers



| REF | DESCRIPTION (◆ Indicates Parts Available In Assemblies Only) | PART #    | QTY. |
|-----|--|-----------|------|
|     | <b>ROLLER ASSEMBLY, INSIDE UP/DOWN</b>                       | 089456    | 2    |
| 1   | Shaft, Inside Up/Down Roller                                 | 088817    | 1    |
| 2   | Bearing, CBK-468 Rolling                                     | 088433    | 1    |
| 3   | Ring, Z30 Spring Retaining                                   | F81090-23 | 1    |
| 4   | Washer, 13 Zinc Flat   | F81056-1  | 2    |
| 5   | Bolt, M12x25-8.8 Hex Head Full Thread Zinc                   | F81004-31 | 2    |
|     | <b>ROLLER ASSEMBLY, OUTSIDE UP/DOWN</b>                      | 089454    | 2    |
| 6   | Shaft, Long Up/Down Roller                                   | 088815    | 1    |
| 7   | Bearing, CBK-468 Rolling                                     | 088433    | 2    |
| 8   | Ring, Z30 Spring Retaining                                   | F81090-23 | 2    |
| 9   | Washer, 10.5 Zinc Flat                                       | F81055-1  | 3    |
| 10  | Bolt, M10x35-8.8 Hex Head Full Thread Zinc                   | F81003-17 | 3    |
|     | <b>ROLLER ASSEMBLY, SHORT UP/DOWN</b>                        | 089455    | 2    |
| 11  | Shaft, Short Up/Down Roller                                  | 088816    | 1    |
| 12  | Bearing, CBK-468 Rolling                                     | 088433    | 1    |
| 13  | Ring, Z30 Spring Retaining                                   | F81090-23 | 1    |
| 14  | Washer, 10.5 Zinc Flat                                       | F81055-1  | 2    |
| 15  | Bolt, M10x35-8.8 Hex Head Full Thread Zinc                   | F81003-17 | 2    |

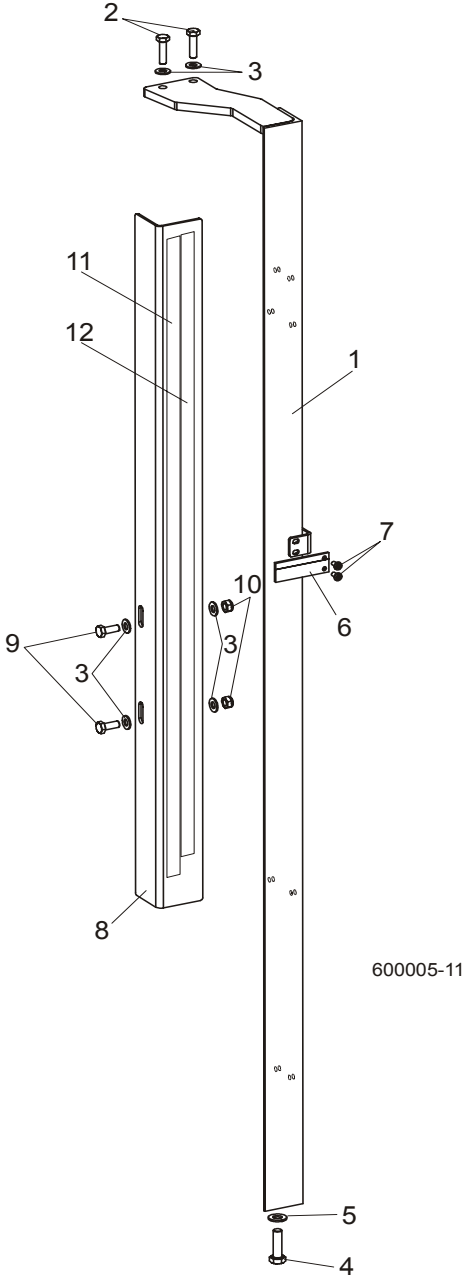
# 6 Up/Down System

## Up/Down Rollers & Covers

---

|    |   |           |    |  |
|----|---|-----------|----|--|
| 16 | NUT, M10-04-W HEX ZINC THIN                 | F81033-6  | 4  |  |
| 17 | SCREW, GN 913.3-M10-40-MS SET               | F81003-65 | 4  |  |
| 18 | COVER WELDMENT, UP/DOWN ROLLER              | 089483-1  | 1  |  |
| 19 | BOLT, M8X16-8.8-B HEX HEAD FULL THREAD ZINC | F81002-20 | 4  |  |
| 20 | WASHER, 8.4 ZINC FLAT                       | F81054-1  | 9  |  |
| 21 | UP/DOWN GEAR COVER WELDMENT                 | 090500-1  | 1  |  |
| 22 | BOLT, M8X12-8.8 HEX HEAD FULL THREAD ZINC   | F81002-6  | 5  |  |
| 23 | ANGLE, MAST TUBE STAINLESS                  | 088492    | 4  |  |
| 24 | WASHER, 10.5 ZINC FLAT                      | F81055-1  | 12 |  |
| 25 | BOLT, M10X125-8.8 HEX HEAD ZINC             | F81003-18 | 4  |  |
| 26 | NUT, M10-8-B HEX NYLON ZINC LOCK            | F81033-1  | 4  |  |
| 27 | UP/DOWN MOTOR COVER WELDMENT                | 090501-1  | 1  |  |

6.2 Blade Height Scale



| REF | DESCRIPTION (◆ Indicates Parts Available In Assemblies Only) | PART #    | QTY. |
|-----|--|-----------|------|
| 1   | MOUNT WELDMENT, SCALE PAINTED                                | 088554-1  | 1    |
| 2   | BOLT, M8 x 30-8.8-B HEX HEAD FULL THREAD ZINC                | F81002-7  | 2    |
| 3   | WASHER, 8.4 ZINC FLAT  | F81054-1  | 6    |
| 4   | BOLT, M10 x 35-8.8 HEX HEAD FULL THREAD ZINC                 | F81003-17 | 1    |
| 5   | WASHER, 10.5 ZINC FLAT                                       | F81055-1  | 1    |

# **6** Up/Down System

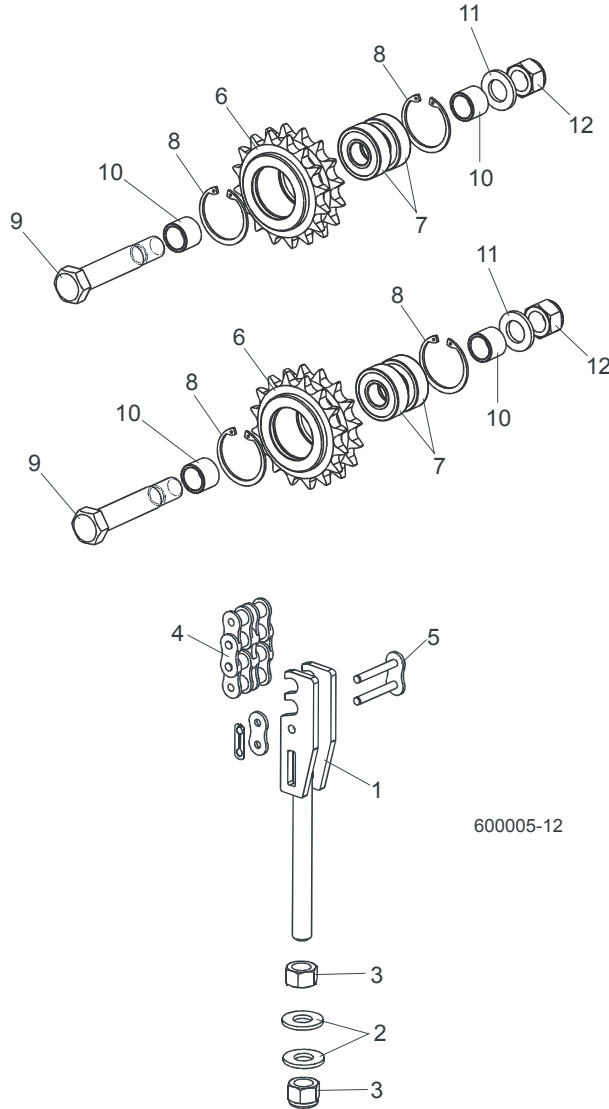
## *Blade Height Scale*

---

|    |   |          |   |  |
|----|---|----------|---|--|
| 6  | POINTER, BLADE HEIGHT                         | 086691-1 | 1 |  |
| 7  | SCREW, #10-24 X 3/8 PHILLIPS PAN HEAD ZINC    | F05004-3 | 2 |  |
| 8  | ANGLE, SCALE MOUNT                            | 088785-1 | 1 |  |
| 9  | BOLT, M8 X 20-8.8-B HEX HEAD FULL THREAD ZINC | F81002-4 | 2 |  |
| 10 | NUT, M8-8-B HEX NYLON ZINC LOCK               | F81032-2 | 2 |  |
| 11 | DECAL, METRIC SCALE                           | S11711   | 1 |  |
| 12 | DECAL, 16-40 MM METRIC SCALE                  | P12040-1 | 1 |  |



### 6.3 Up/Down Chain & Sprockets



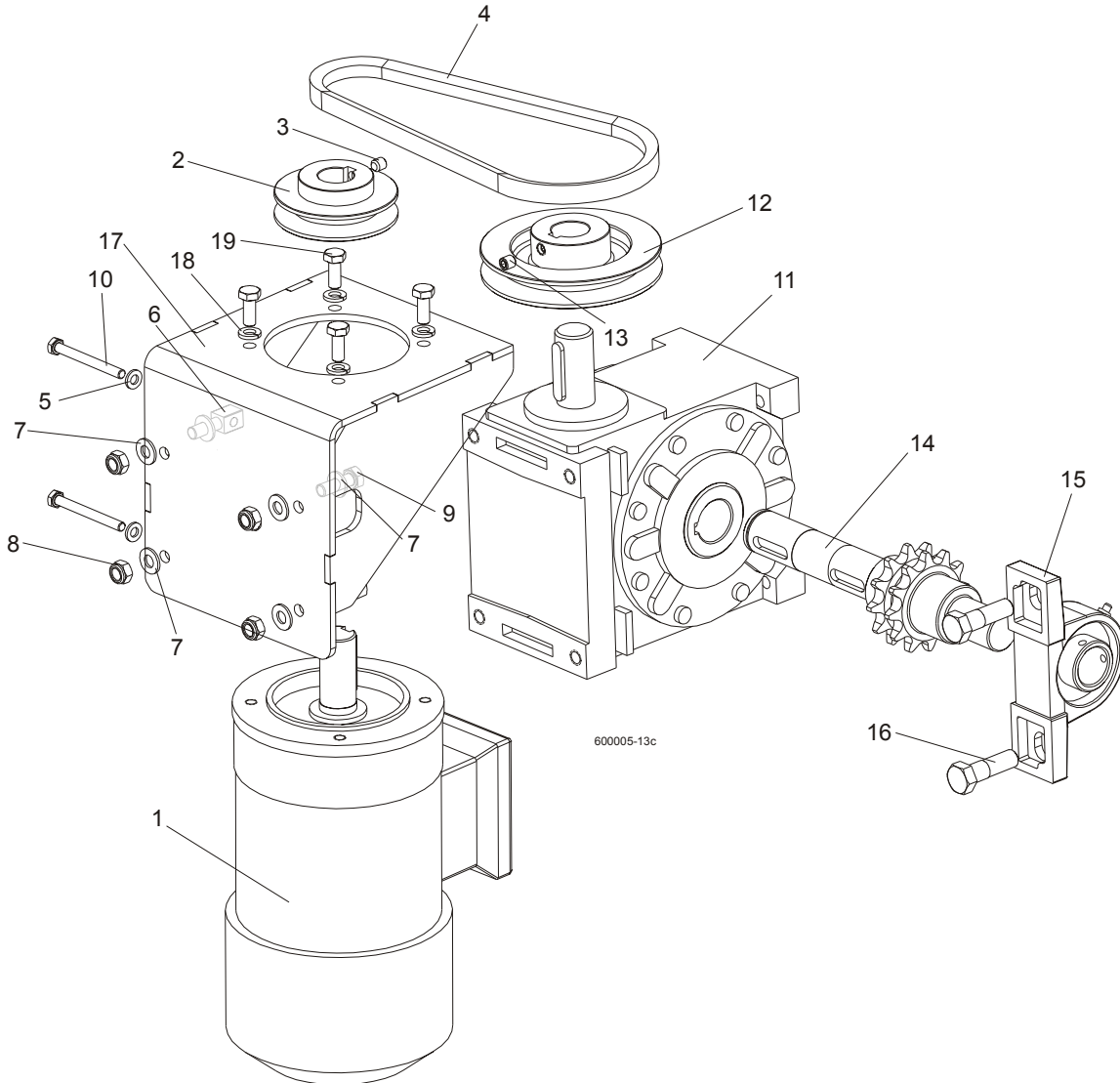
| REF | DESCRIPTION (◆ Indicates Parts Available In Assemblies Only) | PART #   | QTY. |
|-----|--|----------|------|
| 1   | TENSIONER WELDMENT, UP/DOWN CHAIN ZINC                       | 088551-1 | 1    |
| 2   | WASHER, 13 ZINC FLAT   | F81056-1 | 2    |
| 3   | NUT, M12-8 HEX NYLON ZINC LOCK                               | F81034-2 | 2    |
| 4   | CHAIN, 10B-2 113-LINK UP/DOWN                                | 088672   | 1    |
| 5   | LINK, 10B-2Pz MASTER   | 088673   | 1    |
|     | <b>SPROCKET ASSEMBLY, UP/DOWN IDLER</b>                      | 088470   | 1    |
| 6   | Sprocket, Zinc   | 088471-1 | 1    |
| 7   | Bearing, 6203-2RS FLT Rolling                                | 086114   | 2    |

**6****Up/Down System***Up/Down Chain & Sprockets*

---

|           |  |           |   |  |
|-----------|--|-----------|---|--|
| <b>8</b>  | Ring, W40 Spring Retaining                       | F81090-3  | 2 |  |
| <b>9</b>  | Bolt, M16D1F6 x 90-8.8 Hex Fit Short Thread Zinc | F81006-15 | 1 |  |
| <b>10</b> | Spacer, Idler Zinc                               | 088792-1  | 2 |  |
| <b>11</b> | Washer, 17 Zinc Flat                             | F81058-1  | 1 |  |
| <b>12</b> | Nut, M16-8 Hex Nylon Zinc Lock                   | F81036-2  | 1 |  |

## 6.4 Up/Down Drive Assembly



| REF | DESCRIPTION (◆ Indicates Parts Available In Assemblies Only) | PART #   | QTY. |
|-----|--|----------|------|
|     | <b>MOTOR W/MOUNT BRACKET, AC UP/DOWN</b>                     | 090493   | 1    |
| 1   | AC Motor, 2 gear STKg90 6/4L2 IMB14/162                      | 086530   | 1    |
| 2   | Pulley, AC Motor   | 090497-1 | 1    |
| 3   | Screw, M8x8-33H Hex Socket Set Flat Point Zinc               | F81014-1 | 1    |
| 4   | V-Belt, HA-630   | 090558   | 1    |
| 5   | <b>Washer, 6.4 Zinc Flat</b>                                 | F81053-1 | 2    |
| 6   | Bolt, Special - Zinc Plated                                  | 088962-1 | 2    |
| 7   | <b>Washer, 8.4 Zinc Flat</b>                                 | F81054-1 | 8    |

## 6

**Up/Down System***Up/Down Drive Assembly*

|    |  |          |   |  |
|----|--|----------|---|--|
| 8  | <b>Nut, M8-8-B hex nylon zinc lock</b>               | F81032-2 | 4 |  |
| 9  | <b>Bolt, M8X25-8.8-B hex head full thread zinc</b>   | F81002-5 | 2 |  |
| 10 | Sruba, M6x60-8.8-Fe/Zn5 PN-85/M-82105                | F81001-9 | 2 |  |
|    | GEAR BOX ASSEMBLY, UP/DOWN DRIVE                     | 089523   | 1 |  |
| 11 | Gear Box, RA-06/66/D1/N/V5                           | 088577   | 1 |  |
| 12 | Pulley, Up/Down Gear Painted                         | 089529-1 | 1 |  |
| 13 | Screw, M8x8-33H Hex Socket Set Flat Point Zinc       | F81014-1 | 1 |  |
| 14 | Output Shaft w/ Sprocket, Up/Down Drive              | 089522   | 1 |  |
| 15 | Bearings Assembly UCP205 CX                          | 088468   | 1 |  |
| 16 | <b>Bolt, M12 x 40 - 8.8 Hex Head</b>                 | F81004-1 | 1 |  |
| 17 | MOUNT WELDMENT, AC UP/DOWN PAINTED                   | 090494-1 | 1 |  |
| 18 | WASHER 8.2 ZINC SPLIT                                | F81054-4 | 4 |  |
| 19 | <b>BOLT, M8 X 20-8.8-B HEX HEAD FULL THREAD ZINC</b> | F81002-4 | 4 |  |





# Feed System & Track Rollers

## Upper Track Rollers And Wipers

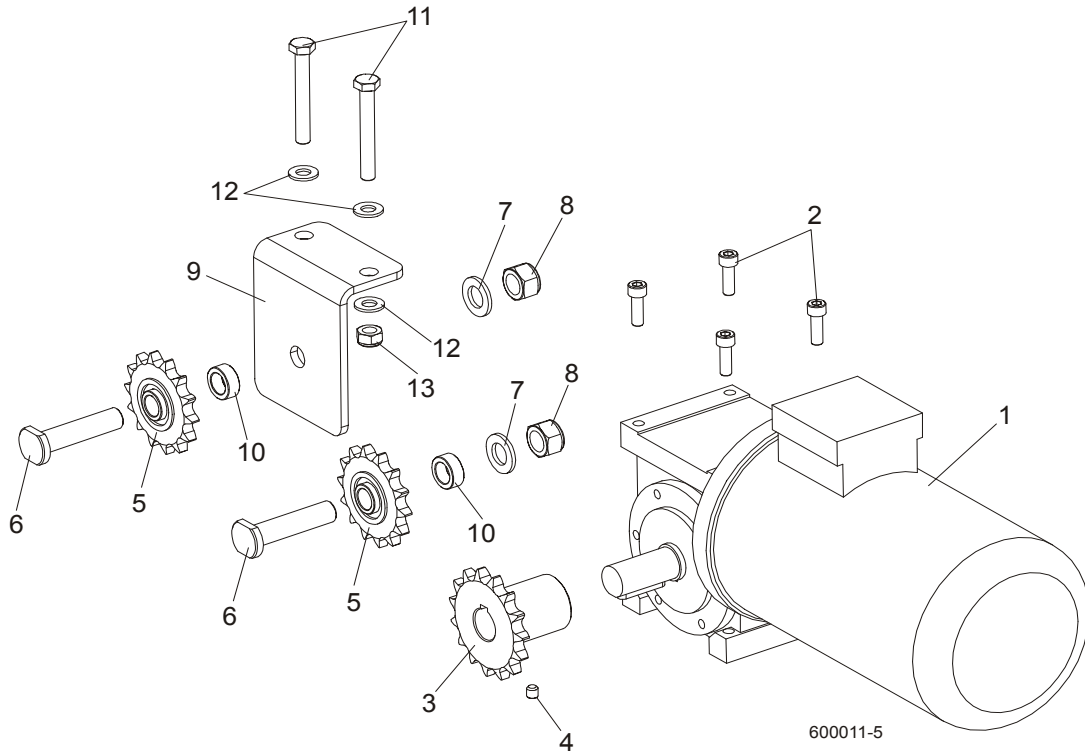
7

|    |  |           |   |  |
|----|--|-----------|---|--|
| 7  | Block Assembly, Tandem Roller                    | 088533    | 1 |  |
| 8  | Roller, CBK-468                                  | 088433    | 2 |  |
| 9  | Ring, Z30 Spring Retaining                       | F81090-23 | 2 |  |
| 10 | Block, Cam Follower Mount                        | 088520    | 1 |  |
| 11 | Bearing, Cam Follower (McGill)                   | 012797    | 2 |  |
| 12 | Washer, 16.3 Split Zinc Lock                     | F81058-2  | 2 |  |
| 13 | Nut, 5/8"-18 Zinc                                | F05010-11 | 2 |  |
| 14 | Washer, Z24.5 Split Zinc Lock                    | F81061-4  | 1 |  |
| 15 | Bolt, M24 x 2 x 90-8.8 Hex Head Full Thread Zinc | F81009-2  | 1 |  |
| 16 | Pin, Cam Follower Mount                          | 088531    | 1 |  |
| 17 | Nut, M16-8 Hex Nylon Zinc Lock                   | F81036-2  | 1 |  |
| 18 | Fitting, M6 Straight Grease                      | 086280    | 1 |  |
|    | <b>ROLLER ASSEMBLY, REAR UPPER TRACK</b>         | 088529    | 1 |  |
| 19 | Block, Rear Upper Roller Mount                   | 088528    | 1 |  |
| 20 | Spacer, Cam Follower                             | 088536    | 1 |  |
| 21 | Bearing, Cam Follower (McGill)                   | 012797    | 1 |  |
| 22 | Roller, CBK-468                                  | 088433    | 1 |  |
| 23 | Ring, Z30 Spring Retaining                       | F81090-23 | 1 |  |
| 24 | Washer, Z24.5 Split Zinc Lock                    | F81061-4  | 1 |  |
| 25 | Bolt, M24x2x90-8.8 Hex Head Full Thread Zinc     | F81009-2  | 1 |  |
| 26 | <b>COVER, TANDEM ROLLER</b>                      | 088526    | 1 |  |
| 27 | <b>WASHER, 6.4 ZINC FLAT</b>                     | F81053-1  | 4 |  |
| 28 | <b>BOLT, M6X16 8.8 HEX HEAD FULL THREAD ZINC</b> | F81001-15 | 4 |  |
| 29 | <b>COVER, REAR UPPER ROLLER</b>                  | 088527    | 1 |  |

# 7 Feed System & Track Rollers

## Power Feed Assembly

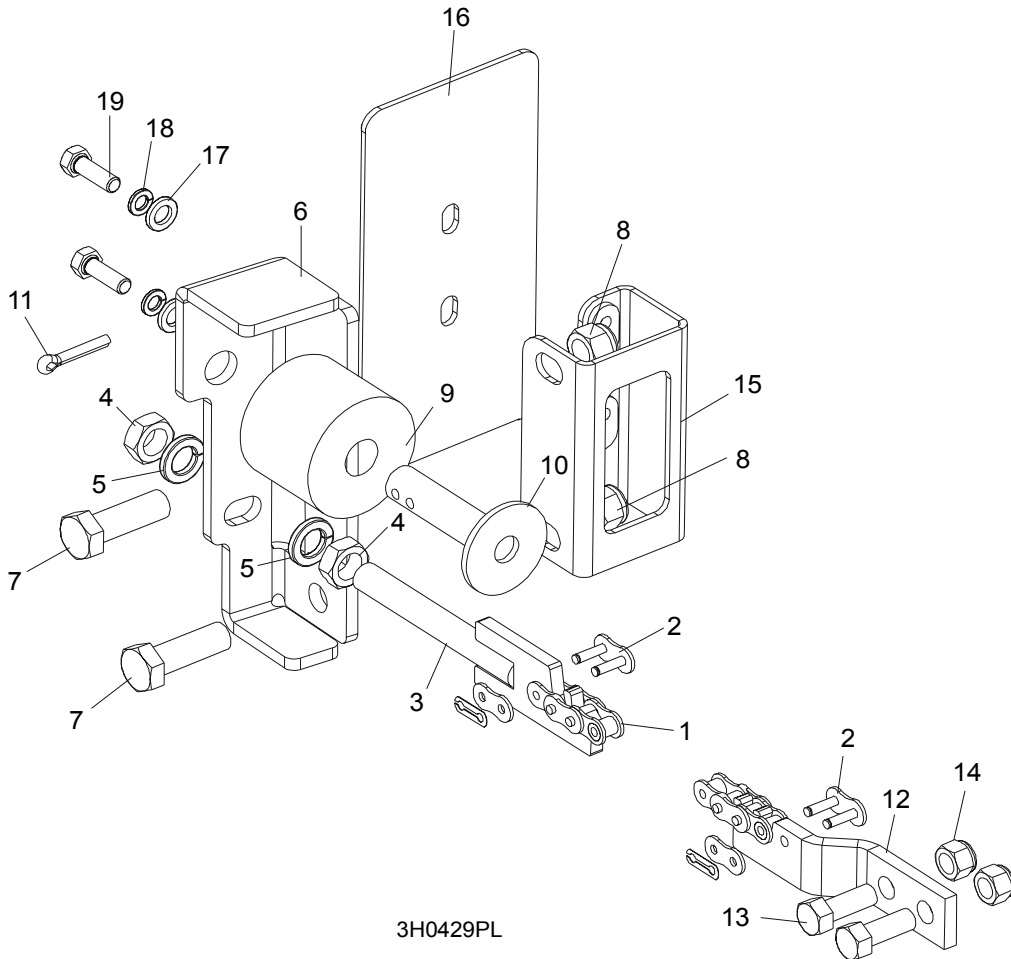
### 7.2 Power Feed Assembly



| REF | DESCRIPTION (◆ Indicates Parts Available In Assemblies Only) | PART #    | QTY. |
|-----|--|-----------|------|
| 1   | RA-0,5/7,5/D3/S/B8 I.3 koln.160/19 B14/1                     | 088565    | 1    |
| 2   | SCREW, M8x25 -8.8 HEX SOCKET HEAD CAP                        | F81002-21 | 4    |
| 3   | SPROCKET, 10B Z15 ZINC                                       | 088541-1  | 1    |
| 4   | SCREW, M8x8-33H HEX SOCKET SET FLAT POINT ZINC               | F81014-1  | 2    |
| 5   | SPROCKET, KSR 16.L0.10.10.14.08 W/BEARING                    | 088867    | 2    |
| 6   | PIN, ZINC SPROCKET MOUNT                                     | 088994-1  | 2    |
| 7   | WASHER, 17 ZINC FLAT   | F81058-1  | 2    |
| 8   | NUT, M16-8 HEX NYLON ZINC LOCK                               | F81036-2  | 2    |
| 9   | BRACKET, POWER FEED SPROCKET MOUNT                           | 088507-1  | 1    |
| 10  | SPACER, POWER FEED SPROCKET                                  | 088550-1  | 1    |
| 11  | BOLT, M10x75-8.8 HEX HEAD ZINC                               | F81003-15 | 2    |
| 12  | WASHER, 10.5 ZINC FLAT                                       | F81055-1  | 4    |
| 13  | NUT, M10-8-B HEX NYLON ZINC LOCK                             | F81033-1  | 2    |



### 7.3 Feed Chain/Stop, LT60HD/LT70HD



3H0429PL

| REF | DESCRIPTION (◆ Indicates Parts Available In Assemblies Only) | PART #   | QTY. |
|-----|--|----------|------|
|     | <b>CHAIN KIT, LT30 FEED</b>                                  | K10408   | 1    |
|     | <b>CHAIN KIT, LT40 FEED</b>                                  | K10410   | 1    |
| 1   | Chain, #40 X 215" LT30 Feed                                  | 014744   | 1    |
|     | Chain, #40 X 267.5" LT40 Feed                                | 014475   | 1    |
| 2   | Link, #40 Master   | P04200   | 2    |
| 3   | Tensioner Weldment, Power Feed Chain                         | 086818-1 | 1    |
| 4   | Nut, M12-5 Hex Jam   | F81034-4 | 2    |
| 5   | Washer, 12.2 Split Lock                                      | F81056-2 | 2    |
| 6   | <b>BRACKET, FEED CHAIN REAR MOUNT</b>                        | 087628-1 | 1    |
| 7   | <b>BOLT, M12 X 40 8.8 HEX HEAD GRADE 5</b>                   | F81004-4 | 2    |
| 8   | <b>NUT, M12-8 HEX NYLON LOCK</b>                             | F81034-2 | 2    |
|     | <b>STOP KIT, RUBBER CARRIAGE</b>                             | K09630   | 2    |
| 9   | Stop, Rubber Carriage  | P12165   | 1    |

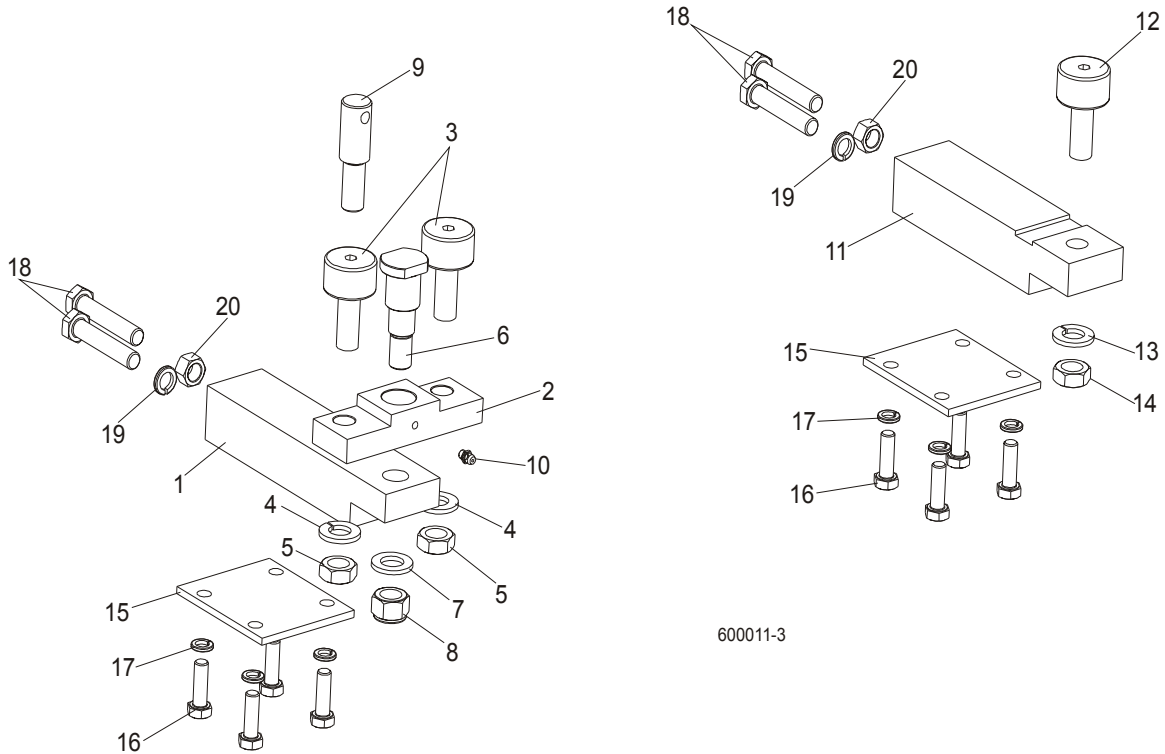
## 7 Feed System & Track Rollers

*Feed Chain/Stop, LT60HD/LT70HD*

---

|    |   |           |   |  |
|----|---|-----------|---|--|
| 10 | Pin, Rubber Carriage Stop                           | W09293    | 1 |  |
| 11 | Pin, 3/16" X 1" Cotter                              | F05012-21 | 1 |  |
| 12 | <b>BRACKET, FRONT FEED CHAIN MOUNT</b>              | 015008    | 1 |  |
| 13 | <b>BOLT, 3/8-16 X 1" HEX HEAD</b>                   | F05007-7  | 2 |  |
| 14 | <b>NUT, 3/8-16 HEX NYLON LOCK</b>                   | F05010-10 | 2 |  |
| 15 | <b>BRACKET WELDMENT, REAR MAIN TUBE COVER MOUNT</b> | 087105-1  | 1 |  |
| 16 | <b>COVER, REAR MAIN TUBE</b>                        | 015023    | 1 |  |
| 17 | <b>WASHER, 8.4 FLAT</b>                             | F81054-1  | 2 |  |
| 18 | <b>WASHER, 8.2 SPLIT LOCK</b>                       | F81054-4  | 2 |  |
| 19 | <b>BOLT, 5/16-18 X 1" HEX HEAD</b>                  | F05006-1  | 2 |  |

### 7.4 Lower Track Rollers



600011-3

| REF | DESCRIPTION (◆ Indicates Parts Available In Assemblies Only) | PART #    | QTY. |
|-----|--|-----------|------|
|     | <b>BLOCK ASSEMBLY, VERTICAL MAST ALIGNMENT DOUBLE</b>        | 088523    | 1    |
| 1   | Block, Vertical Mast Alignment Double                        | 088517    | 1    |
| 2   | Block, Cam Follower Mount                                    | 088520    | 1    |
| 3   | Bearing, Cam Follower (McGill)                               | 012797    | 2    |
| 4   | Washer, 16.3 Split Zinc Lock                                 | F81058-2  | 2    |
| 5   | Nut, 5/8"-18 Zinc  | F05010-11 | 2    |
| 6   | Pin, Cam Follower Mount                                      | 088521    | 1    |
| 7   | Washer, 17 Zinc Flat   | F81058-1  | 1    |
| 8   | Nut, M16-8 Hex Nylon Zinc Lock                               | F81036-2  | 1    |
| 9   | Pin, Safety Lock   | 088519    | 1    |
| 10  | Fitting, M6 Straight Grease                                  | 086280    | 1    |
|     | <b>BLOCK ASSEMBLY, VERTICAL MAST ALIGNMENT SINGLE</b>        | 088524    | 1    |
| 11  | Block, Vertical Mast Alignment Single                        | 088518    | 1    |
| 12  | Bearing, Cam Follower (McGill)                               | 012797    | 1    |
| 13  | Washer, 16.3 Split Zinc Lock                                 | F81058-2  | 1    |
| 14  | Nut, 5/8"-18 Zinc  | F05010-11 | 1    |
| 15  | <b>PLATE, LOWER TRACK ROLLER RETAINER</b>                    | 088516    | 2    |
| 16  | <b>BOLT, M10X30-5.8 HEX HEAD FULL THREAD ZINC</b>            | F81003-2  | 8    |
| 17  | <b>WASHER, 10.2 SPLIT ZINC LOCK</b>                          | F81055-2  | 8    |

## **7** Feed System & Track Rollers

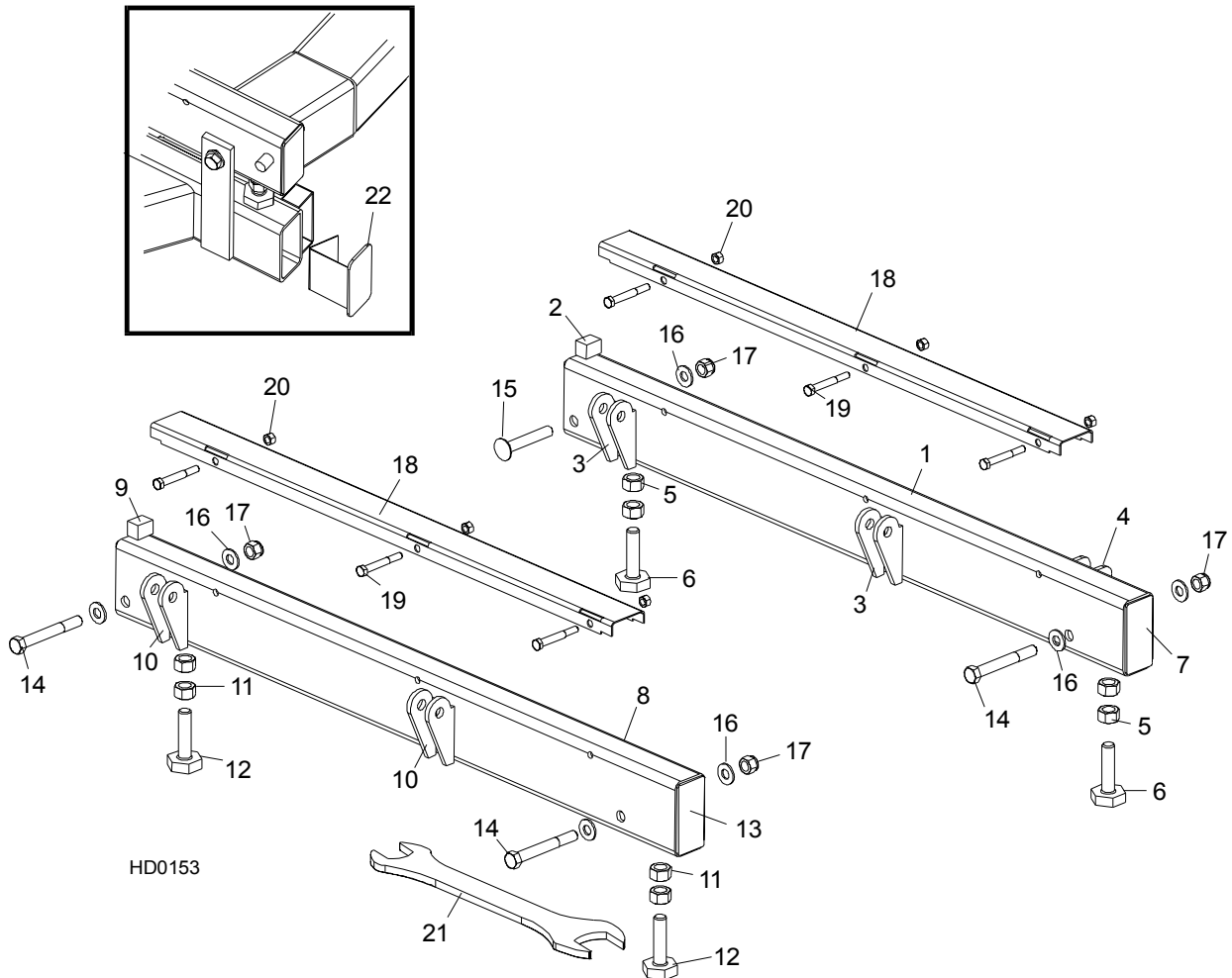
### *Lower Track Rollers*

---

|           |  |           |   |  |
|-----------|--|-----------|---|--|
| <b>18</b> | <b>BOLT, M12X1.25X65-8.8 HEX HEAD FULL THREAD ZINC</b> | F81004-40 | 4 |  |
| <b>19</b> | <b>WASHER, Z12.2 SPLIT ZINC LOCK</b>                   | F81056-2  | 2 |  |
| <b>20</b> | <b>NUT, M12X1.25-8 ZINC HEX</b>                        | F81034-8  | 2 |  |

## SECTION 8 BED FRAME ASSEMBLY

### 8.1 Bed Rail Assembly, Front And Rear



| REF | DESCRIPTION (◆ Indicates Parts Available In Assemblies Only) | PART #    | QTY. |   |
|-----|--|-----------|------|---|
|     | <b>BED RAIL ASSEMBLY, REAR PAINTED</b>                       | 014467    | 1    |   |
| 1   | Bed Rail Tube, Long  | 015974    | 1    | ◆ |
| 2   | Block, Log Stop  | S09034    | 1    |   |
| 3   | Bracket, Roller Toe Board Mount                              | S13021    | 4    | ◆ |
| 4   | Bracket, Saw Head Rest Pin Mount                             | 014150    | 2    | ◆ |
|     | Bolt Assembly, Bed Rail                                      | 086809    | 2    | ◆ |
| 5   | Nut, 5/8-11 Hex  | F05010-54 | 2    |   |
| 6   | Bolt, Bed Rail Adjustment                                    | S13006    | 1    |   |
| 7   | Plate, Bed Rail End Cap                                      | S04058    | 2    | ◆ |

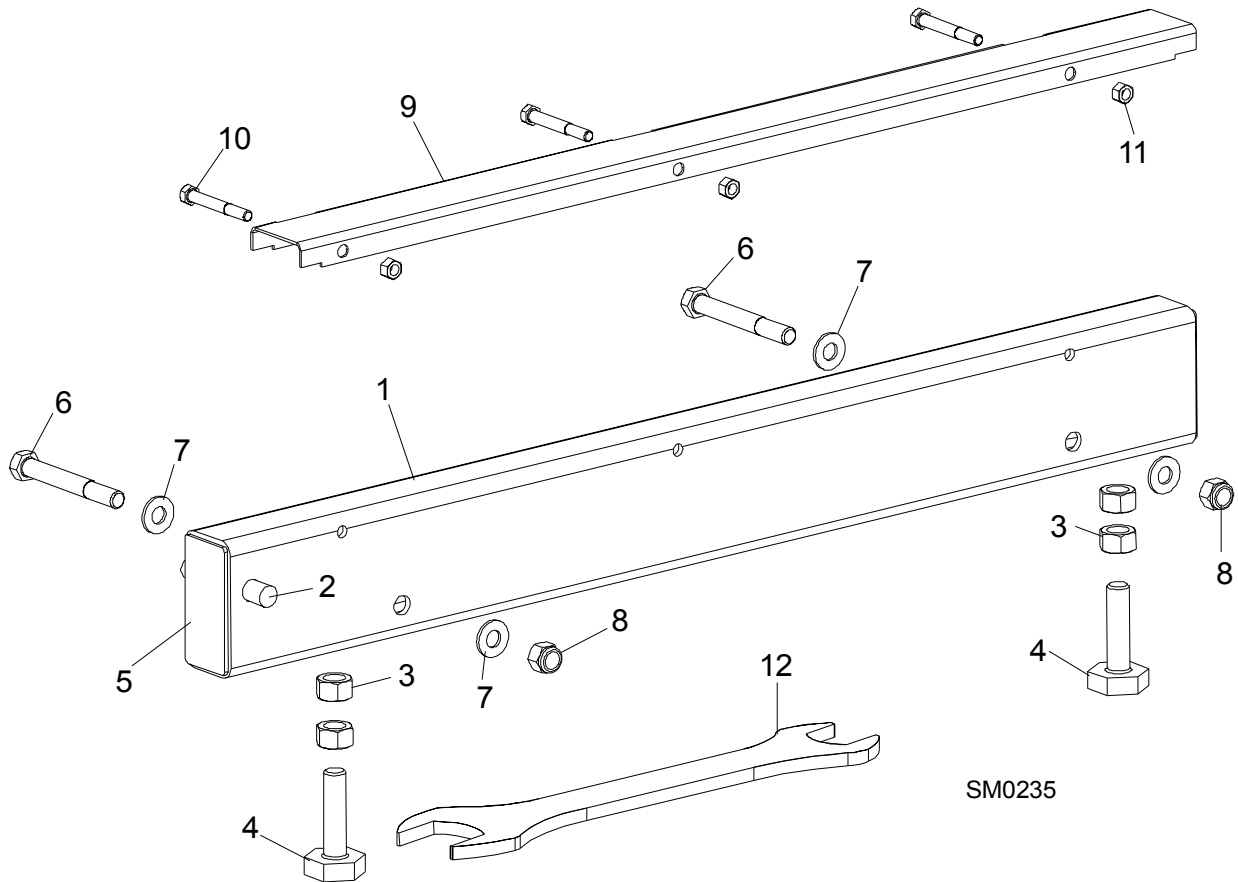
## 8

**Bed Frame Assembly***Bed Rail Assembly, Front And Rear*

|    |  |                        |   |   |
|----|--|------------------------|---|---|
|    | <b>BED RAIL ASSEMBLY, FRONT PAINTED</b>                | 014455                 | 1 |   |
| 8  | Bed Rail Tube, Long                                    | 015974                 | 1 | ◆ |
| 9  | Block, Log Stop  | S09034                 | 1 |   |
| 10 | Bracket, Roller Toe Board Mount                        | S13021                 | 4 | ◆ |
|    | Bolt Assembly, Bed Rail                                | 086809                 | 2 | ◆ |
| 11 | Nut, 5/8-11 Hex  | F05010-54              | 2 |   |
| 12 | Bolt, Bed Rail Adjustment                              | S13006                 | 1 |   |
| 13 | Plate, Bed Rail End Cap                                | S04058                 | 2 | ◆ |
| 14 | <b>BOLT, M12 X 100-8.8 HEX HEAD</b>                    | F81004-3               | 3 |   |
| 15 | <b>BOLT, 1/2-13 X 3 1/2" CARRIAGE</b>                  | F05008-94 <sup>1</sup> | 1 |   |
| 16 | <b>WASHER, 13 FLAT</b>                                 | F81056-1               | 7 |   |
| 17 | <b>NUT, M12-8 NYLON LOCK</b>                           | F81034-2               | 4 |   |
|    | <b>COVER ASSEMBLY, STAINLESS STEEL BED RAIL (LONG)</b> | A09956                 | 2 |   |
| 18 | Cover, Stainless Steel Bed Rail                        | S09944                 | 1 | ◆ |
| 19 | Bolt, 5/16-18 X 2 1/2" Hex Head                        | F05006-10              | 3 |   |
| 20 | Nut, 5/16-18 Hex Lock                                  | F05010-6               | 3 |   |
| 21 | <b>WRENCH, BED RAIL ADJUSTMENT</b>                     | 015970                 | 1 |   |
| 22 | <b>CAP WELDMENT, BED RAIL REMOVABLE END</b>            | 014652                 | 2 |   |

<sup>1</sup> Used on rear bed rail to allow clearance for side support rollers.

## 8.2 Bed Rail Assembly, Front Middle



| REF | DESCRIPTION (◆ Indicates Parts Available In Assemblies Only) | PART #    | QTY. |   |
|-----|--|-----------|------|---|
|     | <b>BED RAIL ASSEMBLY, FRONT MIDDLE</b>                       | A09566    | 1    |   |
| 1   | Bed Rail Tube, Short   | S09103    | 1    | ◆ |
| 2   | Pin, Ramp Mount  | S04030    | 1    |   |
|     | Bolt Assembly, Bed Rail                                      | 086809    | 2    | ◆ |
| 3   | Nut, 5/8-11 Hex  | F05010-54 | 2    |   |
| 4   | Bolt, Bed Rail Adjustment                                    | S13006    | 2    |   |
| 5   | Plate, Bed Rail End Cap                                      | S04058    | 2    | ◆ |
| 6   | <b>BOLT, M12 X 100-8.8 HEX HEAD</b>                          | F81004-3  | 2    |   |
| 7   | <b>WASHER, 13 FLAT</b>                                       | F81056-1  | 4    |   |
| 8   | <b>NUT, M12-8 HEX NYLON LOCK</b>                             | F81034-2  | 2    |   |
|     | <b>COVER ASSEMBLY, STAINLESS STEEL BED RAIL (LONG)</b>       | A09956    | 1    |   |
| 9   | Cover, Stainless Steel Bed Rail                              | S09944    | 1    | ◆ |
| 10  | Bolt, M8x65-5,8 Zinc Hex Head                                | F81002-3  | 3    |   |
| 11  | Nut, M8-8-B-Zinc Hex Nylon Lock                              | F81032-2  | 3    |   |

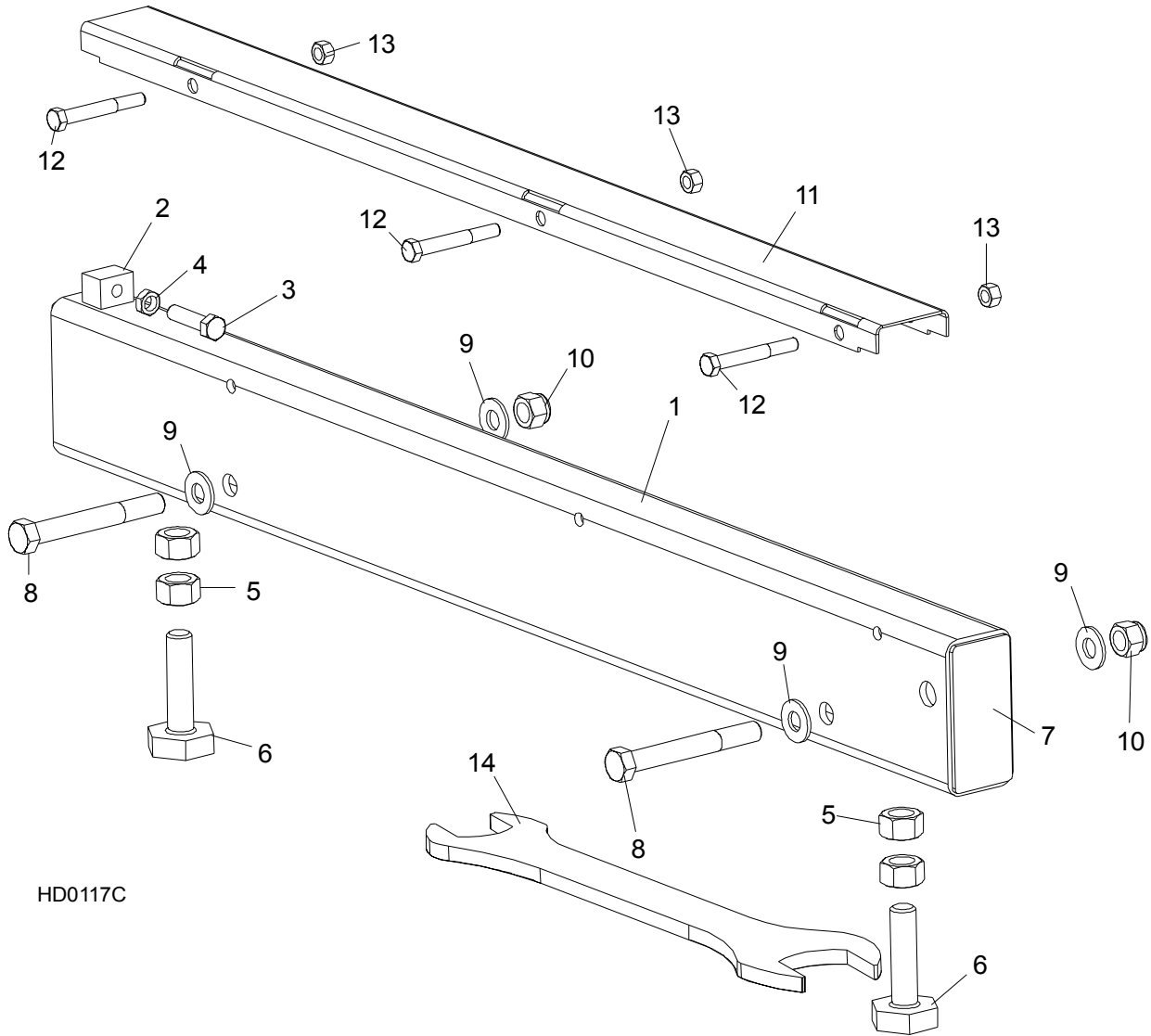
**8****Bed Frame Assembly***Bed Rail Assembly, Front Middle*

---

|    |                             |        |   |  |
|----|-----------------------------|--------|---|--|
| 12 | WRENCH, BED RAIL ADJUSTMENT | 015970 | 1 |  |
|----|-----------------------------|--------|---|--|



**8.3 Bed Rail Assembly, Rear Middle**



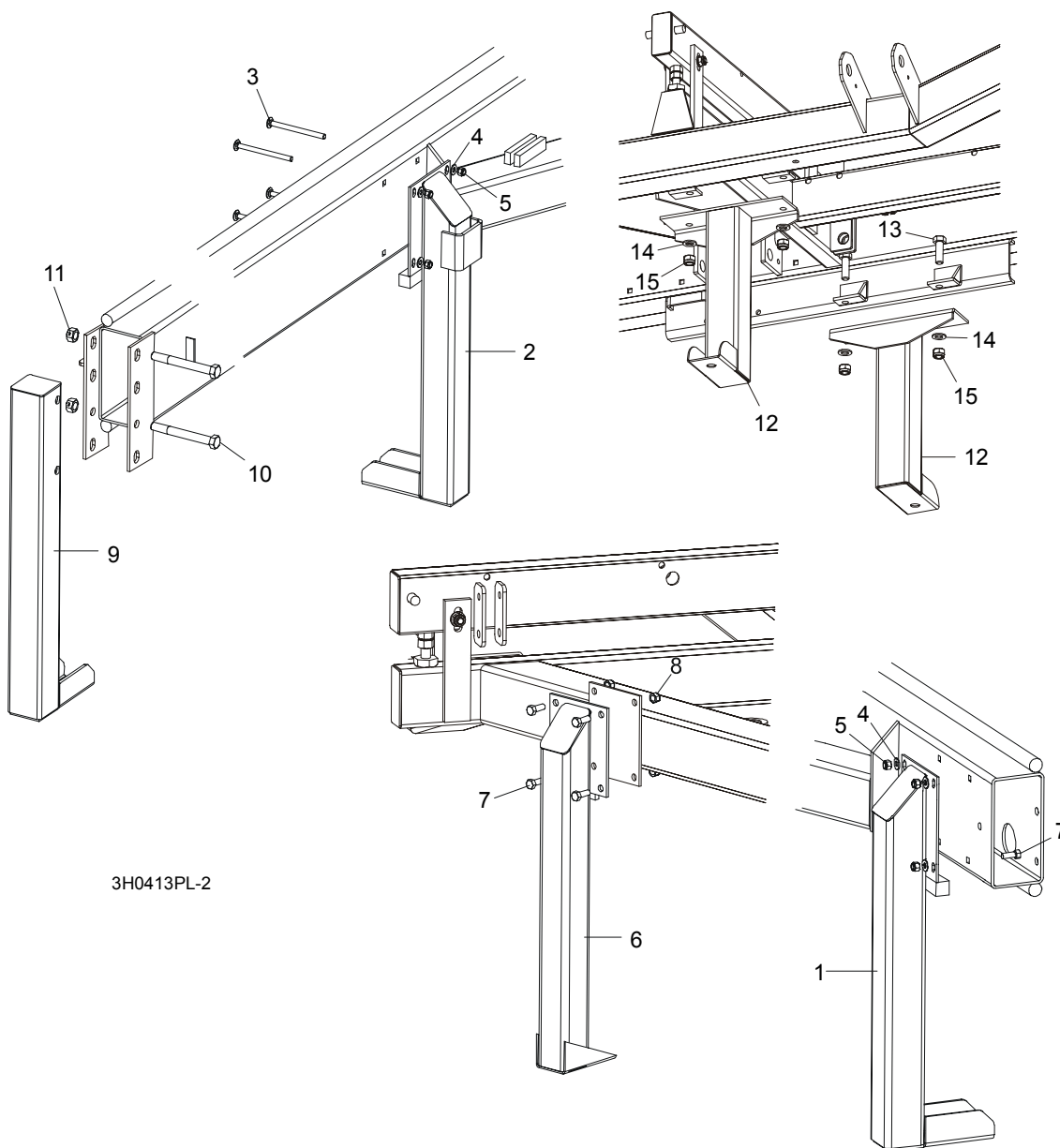
HD0117C

| REF | DESCRIPTION (◆ Indicates Parts Available In Assemblies Only) | PART #   | QTY. |   |
|-----|--|----------|------|---|
| 13  | BOLT, M12 X 100-8.8 HEX HEAD                                 | F81004-3 | 2    |   |
| 14  | WASHER, 13 FLAT  | F81056-1 | 4    |   |
| 15  | NUT, M12-8 NYLON LOCK  | F81034-2 | 2    |   |
|     | <b>COVER ASSEMBLY, STAINLESS STEEL BED RAIL (LONG)</b>       | A09956   | 1    |   |
| 16  | Cover, Stainless Steel Bed Rail                              | S09944   | 1    | ◆ |
| 17  | Bolt, M8x65-5,8 Zinc Hex Head                                | F81002-3 | 3    |   |
| 18  | Nut, M8-8-B-Zinc Hex Nylon Lock                              | F81032-2 | 3    |   |
| 19  | <b>WRENCH, BED RAIL ADJUSTMENT</b>                           | 015970   | 1    |   |

# 8 Bed Frame Assembly

## Leg, Stationary

### 8.4 Leg, Stationary



| REF | DESCRIPTION (◆ Indicates Parts Available In Assemblies Only)    | PART #    | QTY. |
|-----|---|-----------|------|
| 1   | LEG, LONG RIGHT STATIONARY (1 REQ'D FOR LT30; 3 REQ'D FOR LT40) | 087451-1  | 1/3  |
| 2   | LEG, LONG STATIONARY W/BOARD RETURN TABLE BRACKET               | 087449-1  | 1    |
| 3   | BOLT, M10 X 120-8.8 CARRIAGE HEAD                               | F81003-33 | 8/12 |
| 4   | WASHER, 10.5 FLAT   | F81055-1  | 8/16 |
| 5   | NUT, M10-8-B HEX NYLON LOCK                                     | F81033-1  | 8/16 |

**Bed Frame Assembly**  
*Leg, Stationary*

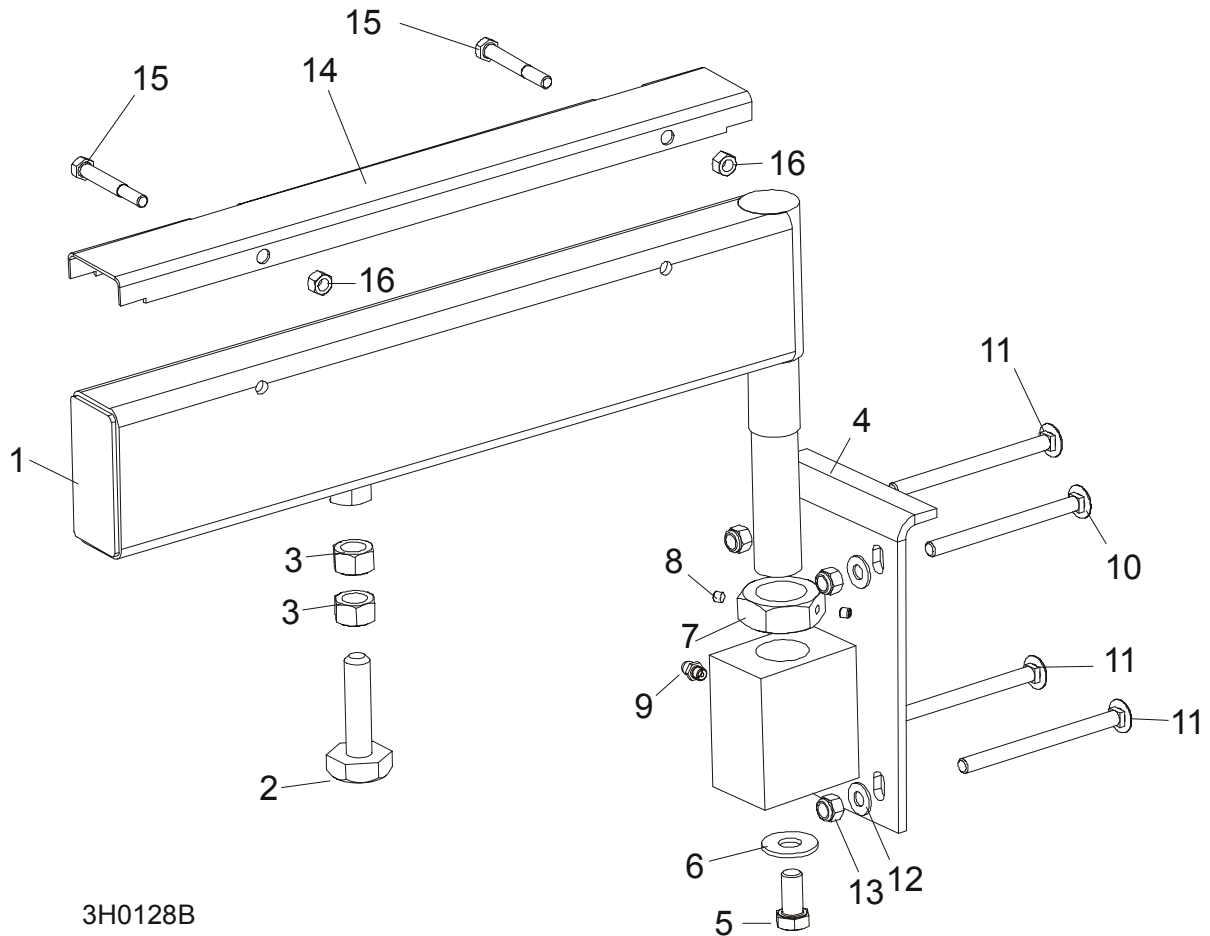
**8**

|    |                                      |           |    |  |
|----|--------------------------------------|-----------|----|--|
| 6  | LEG, SHORT LEFT STATIONARY           | 087450-1  | 2  |  |
| 7  | BOLT, M10 X 25-8.8 HEX HEAD          | F81003-11 | 12 |  |
| 8  | NUT, M10-8-B HEX NYLON LOCK          | F81033-1  | 12 |  |
| 9  | LEG, FRONT STATIONARY                | 087452-1  | 1  |  |
| 10 | BOLT, M16 X 140-8.8 HEX HEAD GRADE 5 | F81006-4  | 2  |  |
| 11 | NUT, M16-8 HEX LOCK                  | F81036-2  | 2  |  |
| 12 | LEG, MIDDLE STATIONARY               | 087093-1  | 2  |  |
| 13 | BOLT, M16 X 50-8.8 HEX HEAD          | F81006-7  | 4  |  |
| 14 | WASHER, 17 FLAT                      | F81058-1  | 4  |  |
| 15 | NUT, M16 NYLON LOCK                  | F81036-2  | 4  |  |

# 8 Bed Frame Assembly

## Pivot Bed Rail Assembly

### 8.5 Pivot Bed Rail Assembly



3H0128B

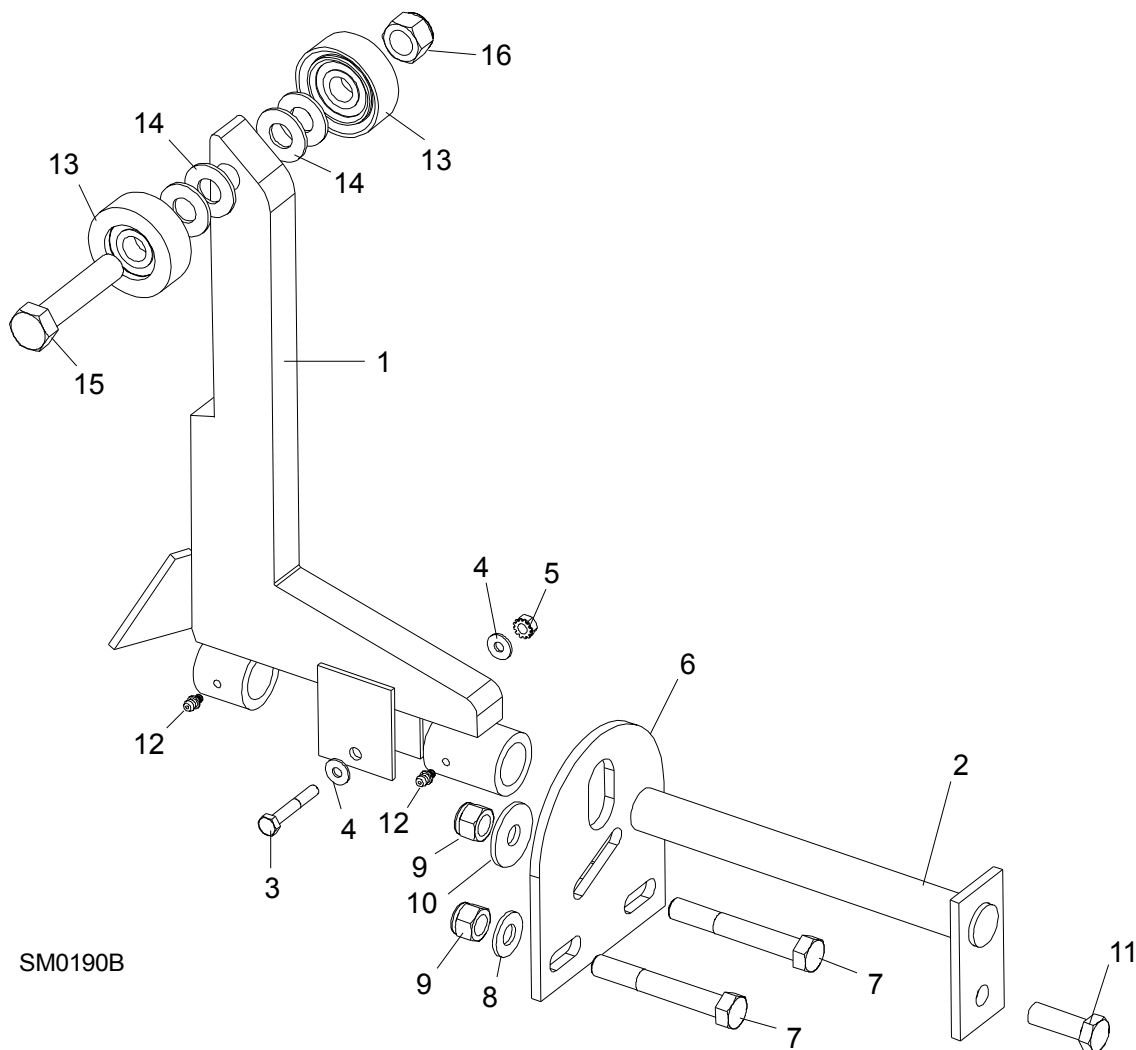
| REF | DESCRIPTION (◆ Indicates Parts Available In Assemblies Only) | PART #    | QTY. |
|-----|--|-----------|------|
|     | <b>PIVOT BED RAIL ASSEMBLY ()</b>                            | 087829    | 2    |
|     | <b>PIVOT BED RAIL ASSEMBLY ()</b>                            | 087855    | 2    |
| 1   | Pivot Bed Rail Weldment ()                                   | 087852    | 1    |
|     | Pivot Bed Rail Weldment ()                                   | 087848    | 1    |
|     | Bolt Assembly, Bed Rail Adjustment                           |           | 1    |
| 2   | Bolt, Bed Rail Adjustment                                    | 086809    | 1    |
| 3   | Nut, 5/8-11 Hex  | F81036-1  | 2    |
| 4   | Bracket, Pivot Rail Mounting                                 | 087841-1  | 1    |
| 5   | Bolt, 1/2-13 x 1" Hex Head Grade 2                           | F81004-31 | 1    |
| 6   | Washer, 15 Flat  | F05011-52 | 1    |
| 7   | Nut, Pivot Rail Adjustment ()                                | F81036-1  | 1    |
|     | Nut, Pivot Rail Adjustment ()                                | F81039-2  |      |

**Bed Frame Assembly**  
*Pivot Bed Rail Assembly*

**8**

|           |  |            |   |  |
|-----------|--|------------|---|--|
| <b>8</b>  | Screw, 1/4-28 x 1/4" Brass Tip Set                                   | F05005-42  | 2 |  |
| <b>9</b>  | Fitting, 3/16" Grease  | 086280     | 1 |  |
| <b>10</b> | <b>BOLT, 3M10 X 120-8.8 CARRIAGE HEAD</b>                            | F81003-14  | 2 |  |
| <b>11</b> | <b>BOLT, 3/8-16 X 5" CARRIAGE HEAD</b>                               | F05007-113 | 6 |  |
| <b>12</b> | <b>WASHER,10.5 FLAT</b>  | F81055-1   | 8 |  |
| <b>13</b> | <b>NUT, M16-8 NYLON LOCK</b>   | F81036-2   | 8 |  |
|           | <b>COVER KIT, PIVOT RAIL STAINLESS STEEL ()</b>                      | 015926     | 2 |  |
|           | <b>COVER KIT, PIVOT RAIL STAINLESS STEEL ()</b>                      | N/A        | 2 |  |
| <b>14</b> | Cover, Stainless Steel Pivot Bed Rail ()                             | 012994     | 1 |  |
|           | Cover, Stainless Steel Pivot Bed Rail ()                             | S13012     | 1 |  |
| <b>15</b> | Bolt, M8x65-5,8 Zinc Hex Head  | F81002-3   | 4 |  |
| <b>16</b> | Nut, M8-8-B-Zinc Hex Nylon Lock                                      | F81032-2   | 4 |  |
|           | <b>WRENCH, BED RAIL ADJUSTMENT (<a href="#">See Section 8.3</a>)</b> | 015970     | 1 |  |

**8.6 Log Side Support Assembly (Manual)**

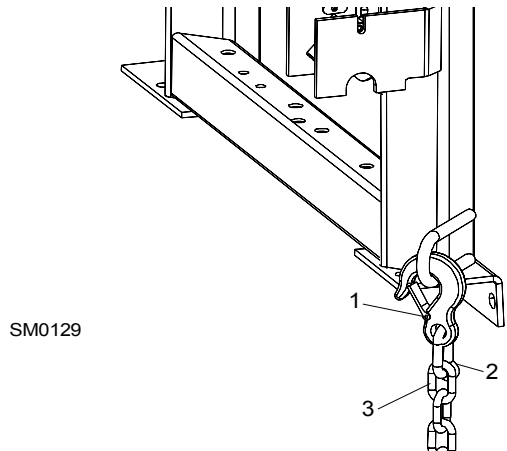


| REF | DESCRIPTION (◆ Indicates Parts Available In Assemblies Only) | PART #    | QTY. |
|-----|--|-----------|------|
| 1   | <b>SUPPORT, LOG SIDE</b>                                     | 085538    |      |
|     | <b>MOUNTING KIT, LOG SIDE SUPPORT</b>                        | K09440    |      |
| 2   | Pin, Log Side Support Pivot                                  | W09238-1  | 1    |
| 3   | Bolt, 1/4-20 X 1 1/2" Hex Head Grade 5                       | F05005-4  | 1    |
| 4   | Washer, 7.4 Flat   | F81056-11 | 2    |
| 5   | Nut, 1/4-20 Self Locking                                     | F05010-9  | 1    |
| 6   | Plate, Log Side Support End                                  | S09148    | 1    |
| 7   | Bolt, M12 x 90-8.8 Hex Head                                  | F81004-2  | 2    |
| 8   | Washer, 13 Flat  | F81056-1  | 2    |

|           |  |            |   |  |
|-----------|--|------------|---|--|
| <b>9</b>  | Nut, M12-8 Hex Nylon Lock                  | F81034-2   | 3 |  |
| <b>10</b> | Washer, .5" x 1.63" x 11" Ga.              | 086184     | 1 |  |
| <b>11</b> | Bolt, M12 x 35-8.8 Hex Head                | F81004-11  | 1 |  |
| <b>12</b> | <b>FITTING, 3/16" GREASE</b>               | P04107     | 2 |  |
|           | <b>ROLLER KIT, SIDE SUPPORT (OPTIONAL)</b> | 015109     | 4 |  |
| <b>13</b> | Roller Assembly, Side Support              | 015014-1   | 2 |  |
| <b>14</b> | Washer, 17 Flat                            | F81058-1   | 4 |  |
| <b>15</b> | Bolt, 5/8-11 x 3" Hex Head Grade 5         | F05009-37  | 1 |  |
| <b>16</b> | Nut, 5/8-11 Nylon Lock                     | F05010-34  | 1 |  |
|           | Instruction Sheet, Side Support Roller     | 015109-526 | 1 |  |

**8** **Bed Frame Assembly**  
*Tie Down Chain Assembly*

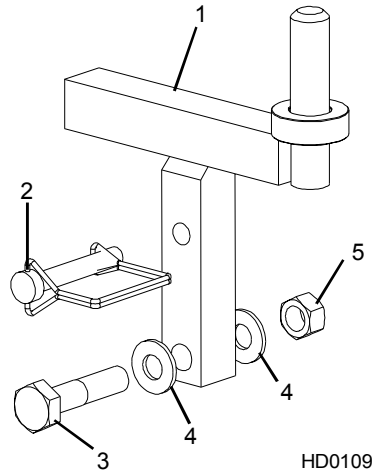
**8.7 Tie Down Chain Assembly**



| REF      | DESCRIPTION (◆ Indicates Parts Available In Assemblies Only) | PART #   | QTY.  |   |
|----------|--|----------|-------|---|
|          | <b>CHAIN ASSEMBLY, TIE DOWN</b>                              | A04376   | 1     |   |
| <b>1</b> | Hook, 5/8" Safety Chain                                      | P12075   | 1     | ◆ |
| <b>2</b> | Cold Shut, 3/8" Plain  | P04772-2 | 1     | ◆ |
| <b>3</b> | Chain, N-10 x 35 Unplated                                    | R80558   | .28 m | ◆ |



## 8.8 Saw Head Rest Pin Assembly

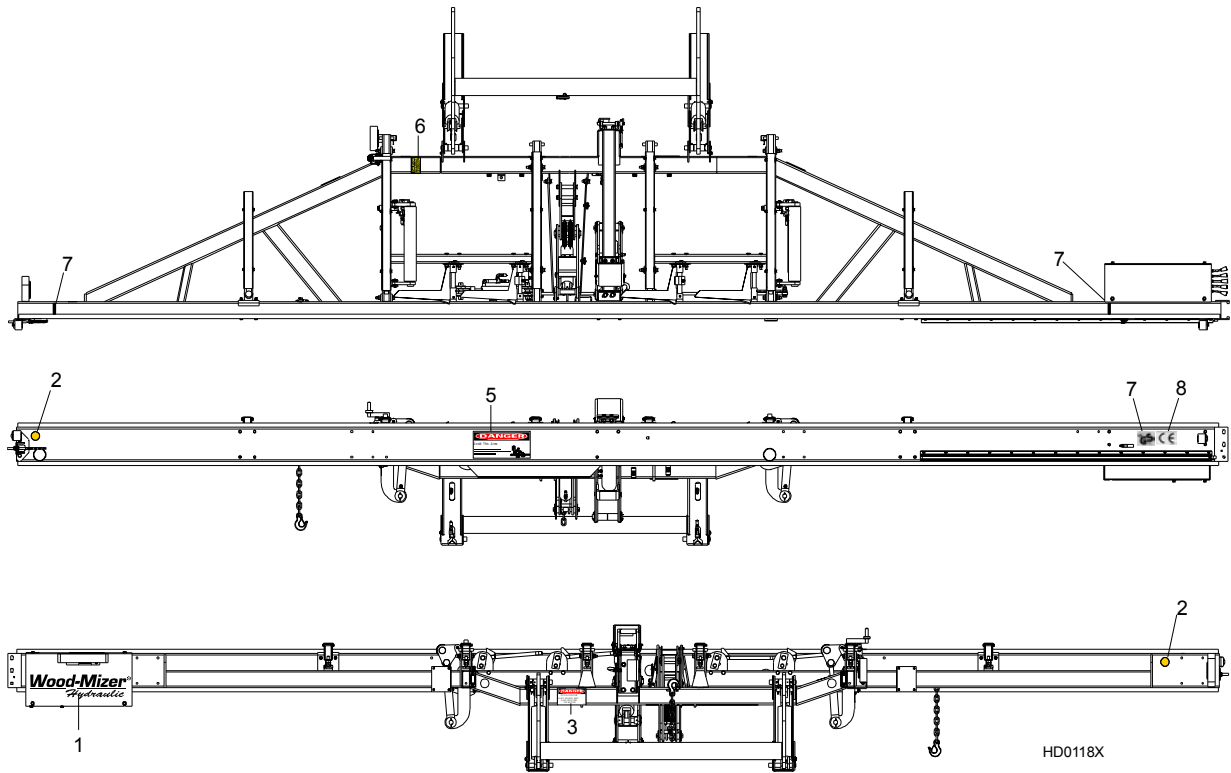


| REF | DESCRIPTION (◆ Indicates Parts Available In Assemblies Only) | PART #   | QTY. |
|-----|--|----------|------|
| 1   | PIN, SAW HEAD REST   | 085949   | 1    |
| 2   | PIN, 3/8" X 2 1/4" SNAP RETAINER                             | 014151   | 1    |
| 3   | BOLT, M12 X 60-8.8 HEX HEAD GRADE 5                          | F81004-5 | 1    |
| 4   | WASHER, 13 SAE FLAT  | F81056-1 | 2    |
| 5   | NUT, 1/2-13 HEX LOCK   | F05010-3 | 1    |

# 8 Bed Frame Assembly

## Bed Frame Decals

### 8.9 Bed Frame Decals

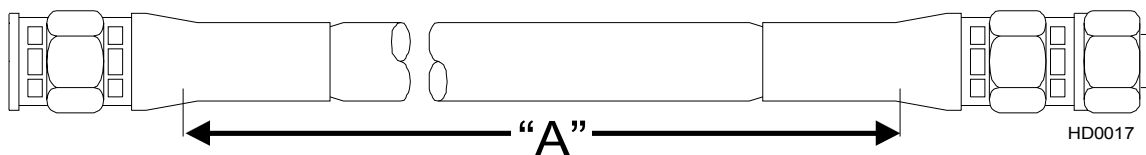


| REF | DESCRIPTION (◆ Indicates Parts Available In Assemblies Only) | PART # | QTY. |  |
|-----|--|--------|------|--|
| 6   | DECAL, AMBER REFLECTIVE 2" ROUND                             | P07453 | 2    |  |
| 7   | DECAL, KEEP AWAY DANGER                                      | S09851 | 1    |  |
| 8   | DECAL, PINCH POINT DANGER                                    | P10287 | 1    |  |
| 9   | DECAL, SAW HEAD REST CAUTION                                 | S12581 | 1    |  |
| 10  | DECAL, LOG LIMIT STRIPE                                      | S12051 | 2    |  |
| 11  | DECAL, GS SAFETY CERTIFICATION, SMALL                        | P85072 | 1    |  |
| 12  | DECAL, CE CERTIFIED SAWMILL, SMALL                           | P85070 | 1    |  |



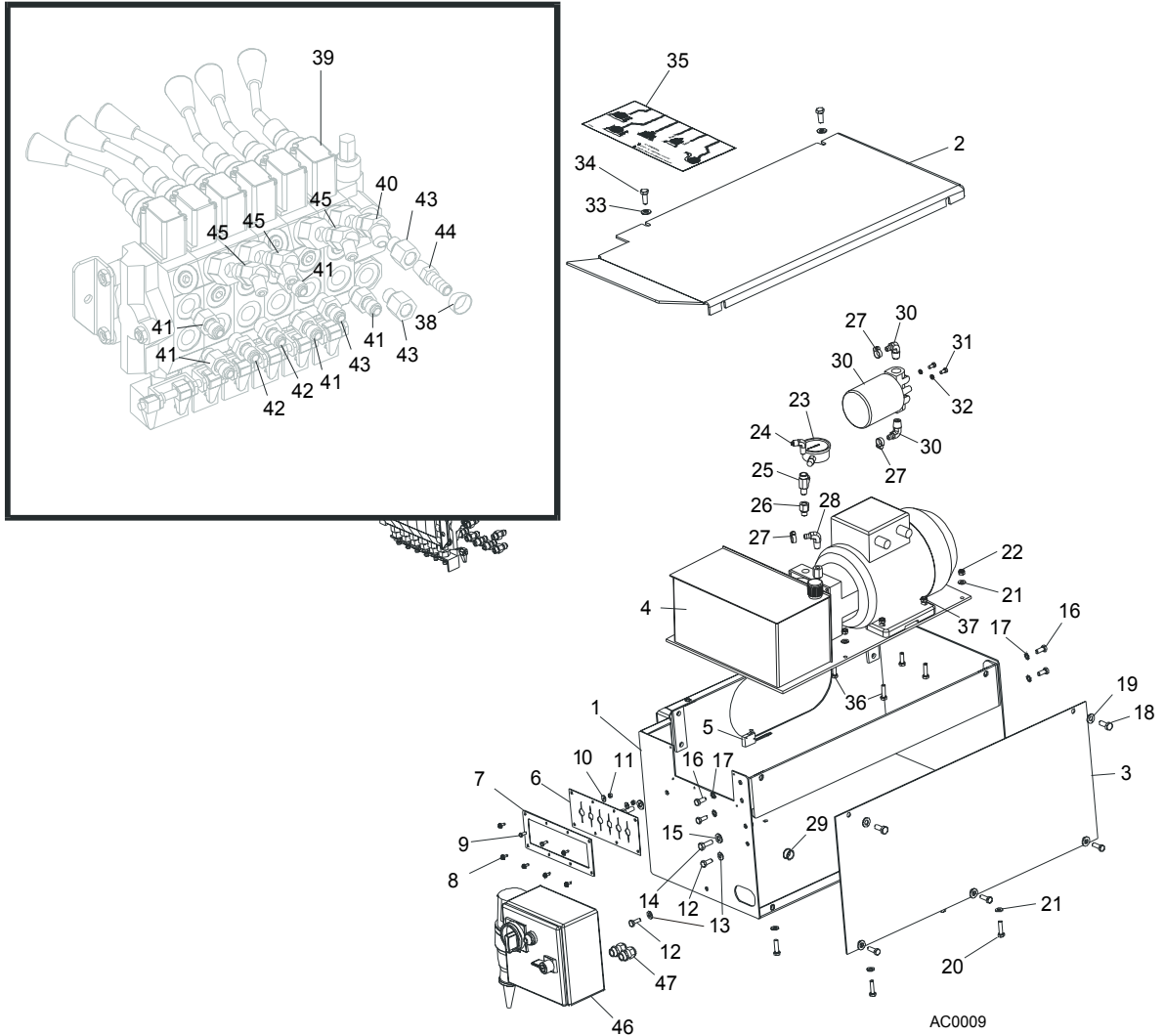
## SECTION 9 HYDRAULIC SYSTEM

### 9.1 Hydraulic Hoses LT60AHD



| COLOR       | LENGTH<br>"A" | DESCRIPTION (◆ Indicates Parts Available In Assemblies Only) | PART # | QTY. |  |
|-------------|---------------|--|--------|------|--|
| None        | 10"           | 3/8" HYDRAULIC PUMP TO VALVE                                 | 087774 | 1    |  |
| Plain       | 27"           | 3/8" LOG TURNER CYLINDER BASE                                | 014796 | 1    |  |
| Orange      | 21"           | 3/8" LOG TURNER CYLINDER TOP                                 | 087775 | 1    |  |
| Yellow      | 105"          | 1/4" FRONT TOE BOARD TOP (LT30HD)                            | 087790 | 1    |  |
|             | 127"          | 1/4" FRONT TOE BOARD TOP (LT40HD)                            | 087776 | 1    |  |
| Gray        | 105"          | 1/4" FRONT TOE BOARD BASE (LT30HD)                           | 087790 | 1    |  |
|             | 127"          | 1/4" FRONT TOE BOARD BASE (LT40HD)                           | 087776 | 1    |  |
| Plain       | 166"          | 3/8" SIDE SUPPORT CYLINDER TOP (LT30HD)                      | 087791 | 1    |  |
|             | 188"          | 3/8" SIDE SUPPORT CYLINDER TOP (LT40HD)                      | 087777 | 1    |  |
| Pink        | 168"          | 3/8" SIDE SUPPORT CYLINDER BASE (LT30HD)                     | 087791 | 1    |  |
|             | 188"          | 3/8" SIDE SUPPORT CYLINDER BASE (LT40HD)                     | 087777 | 1    |  |
| White       | 145"          | 3/8" CLAMP CYLINDER TOP (LT30HD)                             | 087792 | 1    |  |
|             | 157"          | 3/8" CLAMP CYLINDER TOP (LT40HD)                             | 087778 | 1    |  |
| Dark Orange | 129"          | 3/8" CLAMP CYLINDER BASE (LT30HD)                            | 087793 | 1    |  |
|             | 151"          | 3/8" CLAMP CYLINDER BASE (LT40HD)                            | 087779 | 1    |  |
| Purple      | 204"          | 1/4" REAR TOE BOARD TOP (LT30HD)                             | 087794 | 1    |  |
|             | 226"          | 1/4" REAR TOE BOARD TOP (LT40HD)                             | 087780 | 1    |  |
| Black       | 204"          | 1/4" REAR TOE BOARD BASE (LT30HD)                            | 087794 | 1    |  |
|             | 226"          | 1/4" REAR TOE BOARD BASE (LT40HD)                            | 087780 | 1    |  |
| Green       | 62"           | 3/8" LOADING ARM BRANCH TOP                                  | 014797 | 2    |  |
| Yellow      | 63"           | 3/8" LOADING ARM BRANCH BASE                                 | 014798 | 2    |  |
| Blue        | 171"          | 3/8" LOADING ARM CYLINDER TOP (LT30HD)                       | 087795 | 1    |  |
|             | 193"          | 3/8" LOADING ARM CYLINDER TOP (LT40HD)                       | 087781 | 1    |  |
| Red         | 171"          | 3/8" LOADING ARM CYLINDER BOTTOM (LT30HD)                    | 087795 | 1    |  |
|             | 193"          | 3/8" LOADING ARM CYLINDER BOTTOM (LT40HD)                    | 087781 | 1    |  |
| Green       | 180"          | 1/4" CLAMP UP (LT30HD)                                       | 087796 | 1    |  |
|             | 202"          | 1/4" CLAMP UP (LT40HD)                                       | 087789 | 1    |  |
| Yellow      | 180"          | 1/4" CLAMP DOWN (LT30HD)                                     | 087796 | 1    |  |
|             | 202"          | 1/4" CLAMP DOWN (LT40HD)                                     | 087789 | 1    |  |

## 9.2 Hydraulic Control Box LT60/70AHD



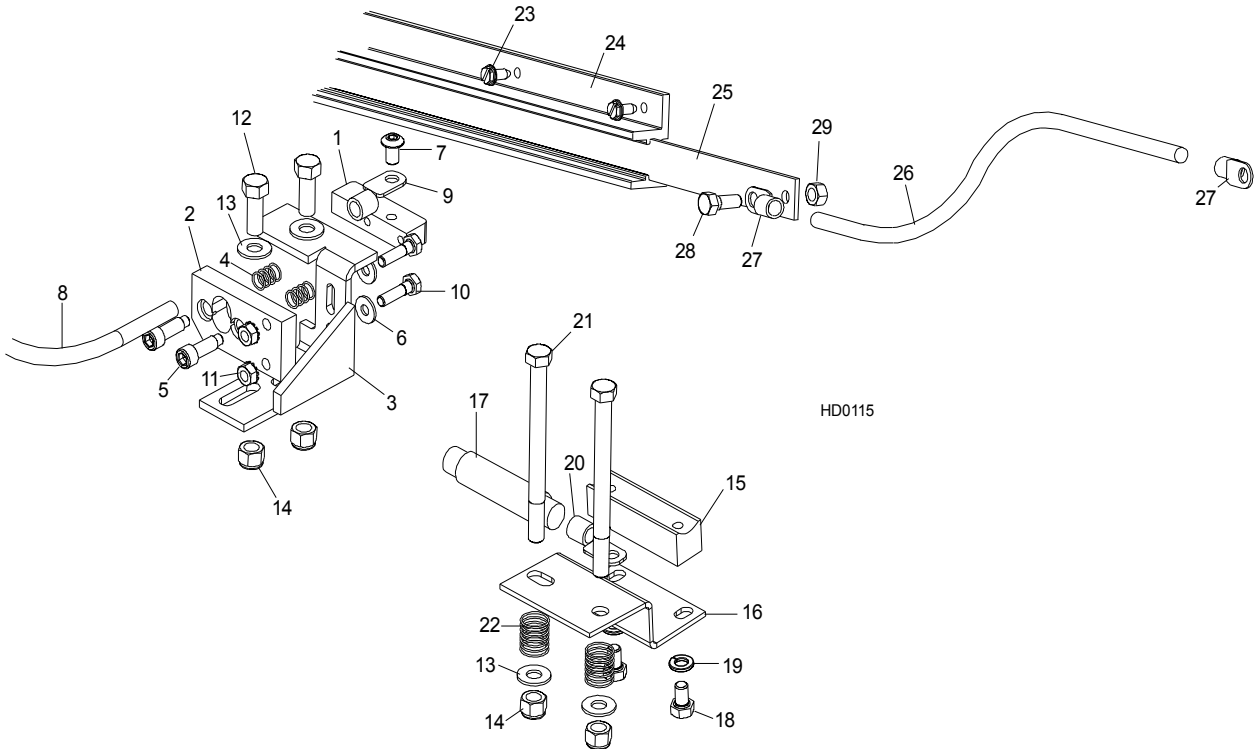
| REF | DESCRIPTION (◆ Indicates Parts Available In Assemblies Only) | PART #   | QTY. |
|-----|--|----------|------|
|     | <b>BOX, AC SUPER HYDRAULIC (EA20, EA25)</b>                  | 086791   | 1    |
| 1   | <b>BOX WELDMENT, SUPER HYDRAULIC PUMP HOUSING</b>            | 086480-1 | 1    |
| 2   | <b>COVER, AC HYDRAULIC PUMP HOUSING TOP</b>                  | 086485-1 | 1    |
| 3   | <b>COVER, AC HYDRAULIC PUMP HOUSING SIDE</b>                 | 086484-1 | 1    |
| 4   | <b>FEEDER, 4 KW 14.5 L/MIN. SUPER AC HYDRAULIC WITH PUMP</b> | 086789   | 1    |
| 5   | Microswitch, Hydraulic Valve                                 | 014765   | 1    |
| 6   | <b>SEAL, RUBBER VALVE HANDLE</b>                             | 015079   | 1    |
| 7   | <b>PLATE, VALVE</b>  | 086519-1 | 1    |
| 8   | <b>SCREW, #10 X 1/2 SLOTTED HEX SELF-TAPPING</b>             | F05015-7 | 6    |

## 9

**Hydraulic System***Hydraulic Control Box LT60/70AHD*

|    |   |           |    |  |
|----|---|-----------|----|--|
| 9  | BOLT, M5X12-5.8                         | F81000-5  | 2  |  |
| 10 | WASHER, 5.5                             | F81052-3  | 2  |  |
| 11 | NUT, M5-8                               | F81030-1  | 2  |  |
| 12 | BOLT, M8 X 20-8.8-B HEX HEAD            | F81002-4  | 2  |  |
| 13 | WASHER, 8.4 FLAT                        | F81054-1  | 2  |  |
| 14 | BOLT, 3/8-16X1 GR8 HEX HEAD             | F05007-7  | 2  |  |
| 15 | WASHER, 10.5 FLAT                       | F81055-1  | 2  |  |
| 16 | BOLT, M8 X 20-8.8-B HEX HEAD            | F81002-4  | 4  |  |
| 17 | WASHER, 8.4 EXTERNAL STAR LOCK          | F81054-3  | 4  |  |
| 18 | BOLT, M10 X 25-8.8 HEX HEAD             | F81003-11 | 4  |  |
| 19 | WASHER, 10.5 FLAT                       | F81055-1  | 4  |  |
| 20 | BOLT, M8 X 25-8.8-B HEX HEAD            | F81002-5  | 4  |  |
| 21 | WASHER, 8.4 FLAT                        | F81054-1  | 4  |  |
| 22 | NUT, M8-8-B                             | F81032-2  | 4  |  |
| 23 | GAUGE, 3000 PSI OIL PRESSURE            | P10052    | 1  |  |
| 24 | FITTING, ELBOW                          | 015491    | 1  |  |
| 25 | FITTING                                 | P09141    | 1  |  |
| 26 | FITTING #6                              | 014686    | 1  |  |
| 27 | CLAMP, 11/16 HOSE                       | P12739    | 3  |  |
| 28 | FITTING, 3/8" NPT - 3/8" ELBOW          | P12708    | 1  |  |
| 29 | BRANCH-JOINT, HYDRAULIC WITH FILTER     | P22683    | 1  |  |
| 30 | FITTING, 1/2" NPT - 3/8" ELBOW          | P12707    | 2  |  |
| 31 | BOLT, 1/4-20 X 1/2"                     | F05005-15 | 2  |  |
| 32 | WASHER, 6.1 SPLIT LOCK                  | F81053-3  | 2  |  |
| 33 | WASHER, 10.5 FLAT                       | F81055-1  | 2  |  |
| 34 | BOLT, M10 X 25-8.8-FE/ZN5 HEX HEAD      | F81003-11 | 2  |  |
| 35 | DECAL, 1997 SUPER HYDRAULIC CONTROL BOX | 015364    | 1  |  |
| 36 | BOLT, M8 X 30-8.8-B HEX HEAD            | F81002-7  | 4  |  |
| 37 | NUT, M8-8-B                             | F81032-2  | 4  |  |
| 38 | CLAMP, 11/16" HOSE                      | P12739    | 10 |  |
| 39 | VALVE, HYDRAULIC 6 SECTION              | 086589    | 1  |  |
|    | SWITCH, HYDRAULIC VALVE ELECTRIC        | 024198    | 1  |  |
| 40 | FITTING, #6 SAE - 3/8" JIC 45° ELBOW    | 015489    | 1  |  |
| 41 | FITTING, 3/8" O-RING - 3/8" JIC         | 014687    | 5  |  |
| 42 | FITTING, 3/8" O-RING - 1/4" JIC         | P26284    | 3  |  |
| 43 | FITTING, #6 SAE MALE - 1/4" NPT FEMALE  | 014686    | 2  |  |
| 44 | FITTING, 1/4" NPT X 3/8" HOSE BARB      | 014685    | 1  |  |
| 45 | FITTING, #6 SAE - 1/4" JIC 45° ELBOW    | 015488    | 3  |  |
| 46 | BOX, AC HYDRAULIC (SUPER ONLY)          | 086820    | 1  |  |
| 47 | GLAND, WIRE (SUPER ONLY)                | 085388    | 2  |  |

### 9.3 Hydraulic Power Supply Strip



| REF | DESCRIPTION (◆ Indicates Parts Available In Assemblies Only) | PART #    | QTY.  |   |
|-----|--|-----------|-------|---|
|     | <b>CONTACT KIT, HYDRAULIC 6' POWER SUPPLY</b>                | A12042-N  | 1     |   |
|     | Contact Hardware Kit   | A10073-N  | 1     | ◆ |
|     | Contact Assembly, Hydraulic Power Supply (Positive)          | 085968    | 1     |   |
| 1   | Contact, Hydraulic Power Supply (Positive)                   | 015253    | 1     |   |
| 2   | Insulator, Positive Contact                                  | S10072    | 1     |   |
| 3   | Bracket, Positive Contact Mounting                           | 086380-1  | 1     |   |
| 4   | Spring, Positive Contact                                     | P10077    | 2     |   |
| 5   | Bolt, 5/16" X 3/4" Shoulder (1/4-20 Thread)                  | F05006-44 | 2     |   |
| 6   | Washer, 7.4 Flat   | F81056-11 | 2     |   |
| 7   | Bolt, 5/16-18 x 1/2" Socket Button Head                      | F05006-20 | 1     |   |
|     | Cable Assy, Hydraulic Positive Contact                       | 015885    | 1     |   |
| 8   | Cable, #1 Weld   | R01948    | 0.75m | ◆ |
| 9   | Terminal, 35 Ring #2 Gauge                                   | F81066-3  | 2     |   |
| 10  | Bolt, 1/4-20 X 1" Hex Head Grade 2                           | F05005-38 | 2     |   |
| 11  | Nut, 1/4-20 Hex Self-Locking                                 | F05010-9  | 2     |   |
| 12  | Bolt, 3/8-16 X 1" Hex Head Grade 5                           | F05007-87 | 2     |   |

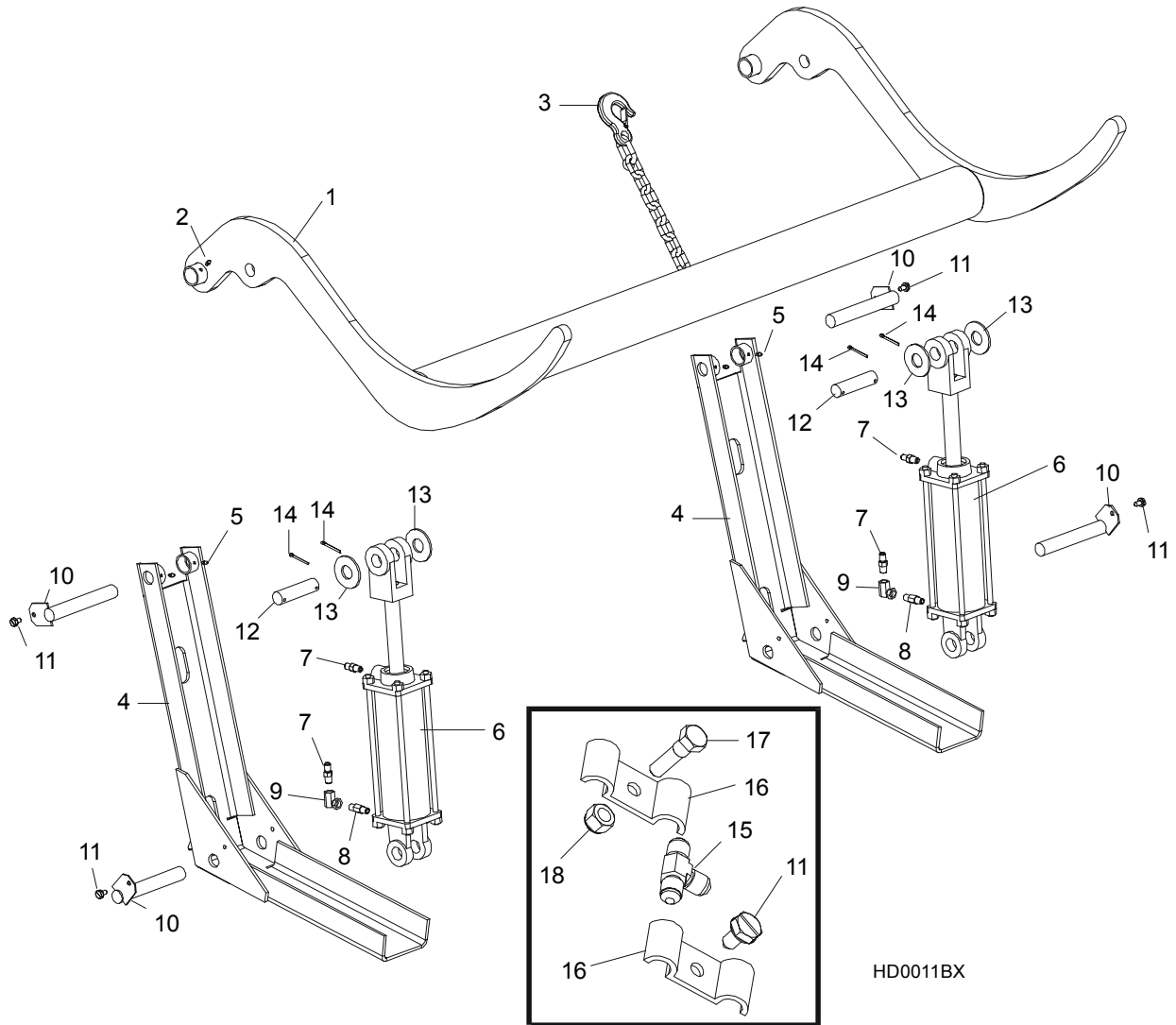
# 9 Hydraulic System

## Hydraulic Power Supply Strip

|    |   |           |      |   |
|----|---|-----------|------|---|
| 13 | Washer, 10.5 Flat                                 | F81055-1  | 4    |   |
| 14 | Nut, 3/8-16 Hex Nylon Lock                        | F05010-10 | 4    |   |
|    | Contact Assembly, Hydraulic Power Supply (Ground) | A10066    | 1    |   |
| 15 | Contact, Hydraulic Power Supply (Ground)          | 015264    | 1    |   |
| 16 | Bracket, Ground Contact Mounting                  | 015265    | 1    |   |
| 17 | Cable, #1 Weld                                    | R01948    | .63m | ◆ |
| 18 | Bolt, 5/16-18 X 1/2" Hex Head Grade 5             | F05006-15 | 2    |   |
| 19 | Washer, 8.2 Split Lock                            | F81054-4  | 2    |   |
| 20 | Terminal, 35 Ring #2 Gauge                        | F81066-3  | 1    |   |
| 21 | Bolt, 3/8-16 X 4 1/2" Hex Head Grade 2            | F05007-35 | 2    |   |
| 22 | Spring, Ground Contact                            | P04282    | 2    |   |
| 23 | Screw, 1/4-20 X 1/2" Slotted Hex Head             | F05015-1  | 14   |   |
| 24 | Housing, 6' Contact Strip                         | P11976    | 1    |   |
| 25 | Strip, 6' Contact                                 | S10075    | 1    | ◆ |
| 26 | Cable, #2 Weld                                    | R80583-21 |      | ◆ |
| 27 | Terminal, 35 Ring #2 Gauge                        | F81066-3  |      |   |
| 28 | Bolt, 5/16-18 X 3/4" Hex Head Black Nylon         | F05006-45 | 1    |   |
| 29 | Nut, 5/16-18 Hex Black Nylon                      | F05010-86 | 1    |   |
|    | Tube, 5/8" Heat Shrink                            | R01950-5  | m    | ◆ |
|    | Grommet, 5/8" Wire                                | P04137    |      |   |



### 9.4 Hydraulic Log Loader



| REF | DESCRIPTION (◆ Indicates Parts Available In Assemblies Only) | PART #   | QTY. |
|-----|--|----------|------|
|     | <b>LOADER KIT, HYDRAULIC LOG</b>                             | 086534   | 1    |
| 1   | Arm, Hydraulic Log Loading                                   | 086535-1 | 1    |
| 2   | Fitting, 3/16" Grease  | P04107   | 2    |
| 3   | Chain, Hydraulic Log Loader Safety                           | A04376   | 1    |
| 4   | Channel, Hydraulic Log Loading Foot                          | W09444   | 2    |
| 5   | Fitting, 3/16" Grease  | P04107   | 2    |
| 6   | Cylinder hydr.CJ-S95-16-70/32/203                            | 088680   | 1    |
|     | Seal Kit, 8" x 3" Hydraulic Cylinder                         | P12956   | 1    |
|     | Fitting Kit, 1/4NPT 4.0GPM Velocity Fuse                     | 015832   | 1    |

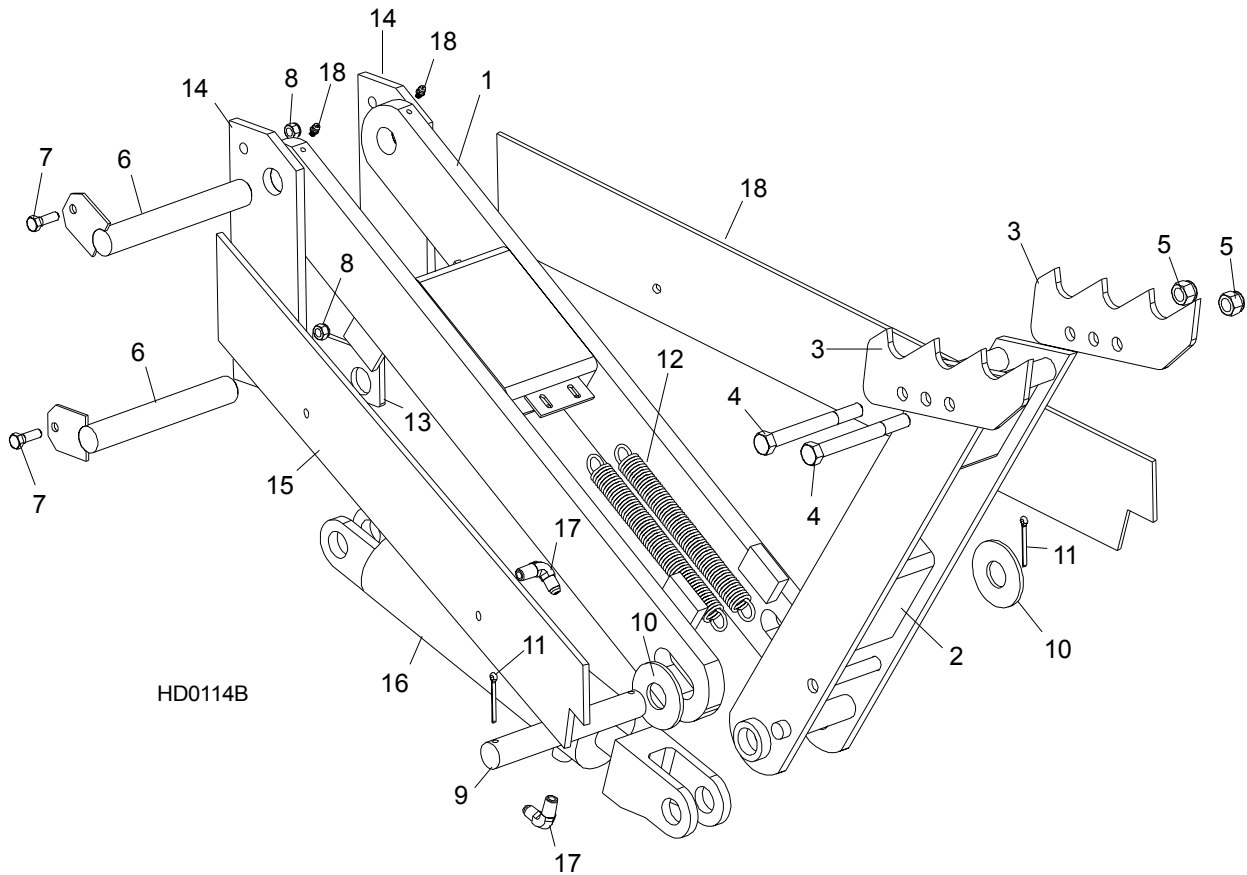
# 9 Hydraulic System

## *Hydraulic Log Loader*

---

|    |  |            |   |   |
|----|--|------------|---|---|
| 7  | Fitting, 1/4NPT 4.0GPM Velocity Fuse         | 015750     | 2 | ◆ |
|    | Instruction Sheet, Velocity Fuse Replacement | 015832-255 | 1 |   |
| 8  | Fitting, 0455x4x4 90° Swivel Elbow           | P12199     | 1 |   |
| 9  | Pin, Loading Arm Mount                       | W09446-1   | 4 |   |
| 10 | Screw, 5/16-18 X 3/4" Self Tapping           | F05015-30  | 8 |   |
| 11 | Pin, Loading Arm Cylinder Mount              | 086979-1   | 2 |   |
| 12 | Washer, 28 Flat                              | F81061-1   | 4 |   |
| 13 | Pin, 3/16" X 1 1/2" Cotter                   | F05012-23  | 4 |   |
| 14 | Bolt, 5/16-18 X 1" Hex Head Grade 2          | F05006-1   | 2 |   |
| 15 | Nut, 5/16-18 Hex Nylon Lock                  | F05010-58  | 2 |   |

## 9.5 Hydraulic Log Turner



| REF | DESCRIPTION (◆ Indicates Parts Available In Assemblies Only) | PART #    | QTY. |
|-----|--|-----------|------|
| 1   | ARM, HYDRAULIC LOG TURNER LINK                               | 015231    | 1    |
| 2   | ARM, HYDRAULIC LOG TURNER PAINTED                            | 015233    | 1    |
| 3   | CLAW, HYDRAULIC LOG TURNER                                   | 014675    |      |
| 4   | BOLT, M12 X 25-8.8 HEX HEAD                                  | F81004-34 | 2    |
| 5   | NUT, M12-8 HEX LOCK  | F81034-2  | 2    |
| 6   | PIN, LOG TURNER MOUNT  | 015085-1  | 2    |
| 7   | BOLT, 5/16-18 X 1" HEX HEAD GRADE 2                          | F05006-1  | 2    |
| 8   | NUT, 5/16-18 HEX LOCK  | F05010-6  | 2    |
| 9   | PIN, LOG TURNER PIVOT  | S09246    | 1    |
| 10  | WASHER, 28 FLAT  | F81061-1  | 2    |
| 11  | PIN, 3/16" X 1 1/2" COTTER                                   | F05012-23 | 2    |
| 12  | SPRING, HYDRAULIC LOG TURNER                                 | 015718    | 2    |
| 13  | PLATE, LOG TURNER CYLINDER MOUNT                             | S09155    | 1    |
| 14  | PLATE, LOG TURNER MOUNT                                      | 085884    | 2    |
| 15  | PLATE, LOG TURNER BRACE                                      | S09605-0  | 2    |

# 9

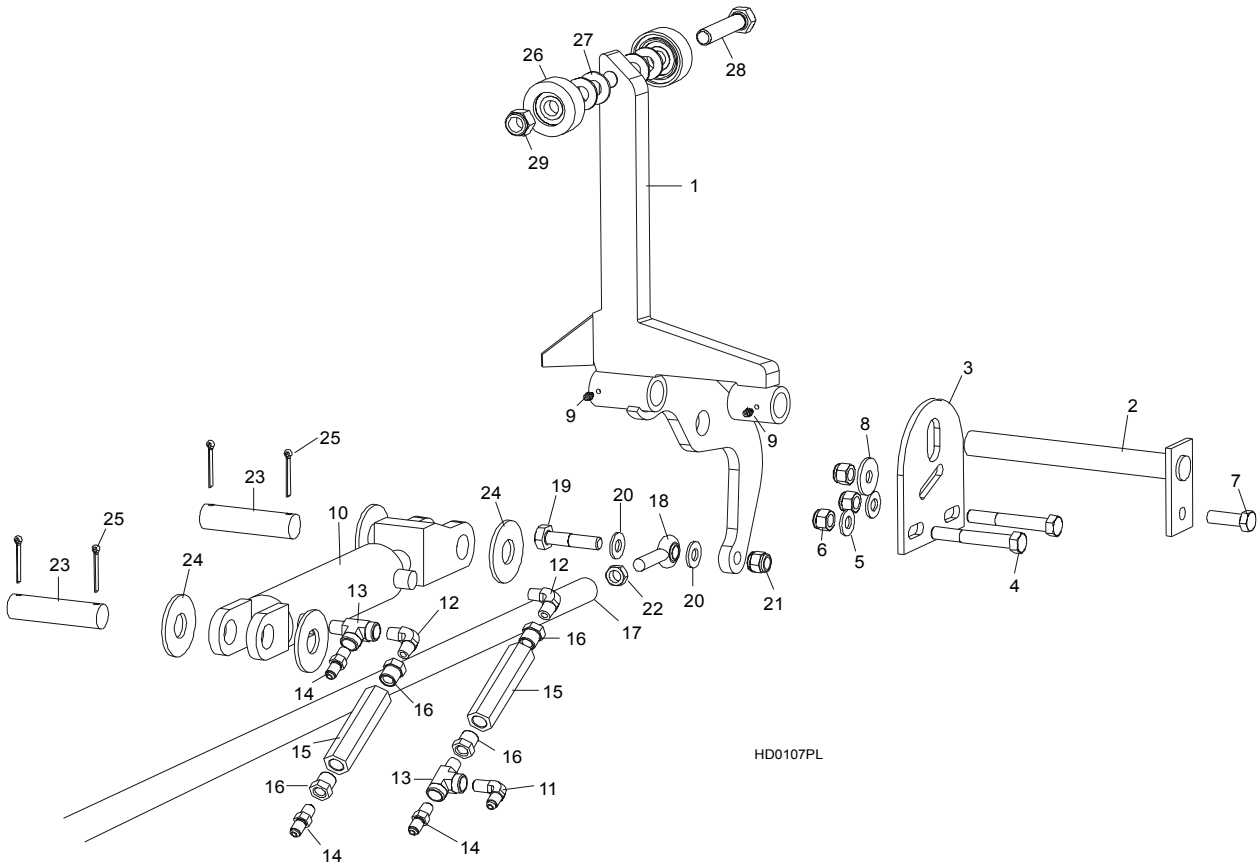
## Hydraulic System

### Hydraulic Log Turner

---

|    |  |        |   |  |
|----|--|--------|---|--|
| 16 | Cylinder hydr.CJ-S305-16-63/28/203       | 088679 | 1 |  |
|    | Seal Kit, 8" x 2 1/2" Hydraulic Cylinder | P12955 | 1 |  |
| 17 | <b>FITTING, 3/16" GREASE</b>             | P04107 | 2 |  |

## 9.6 Hydraulic Log Side Supports



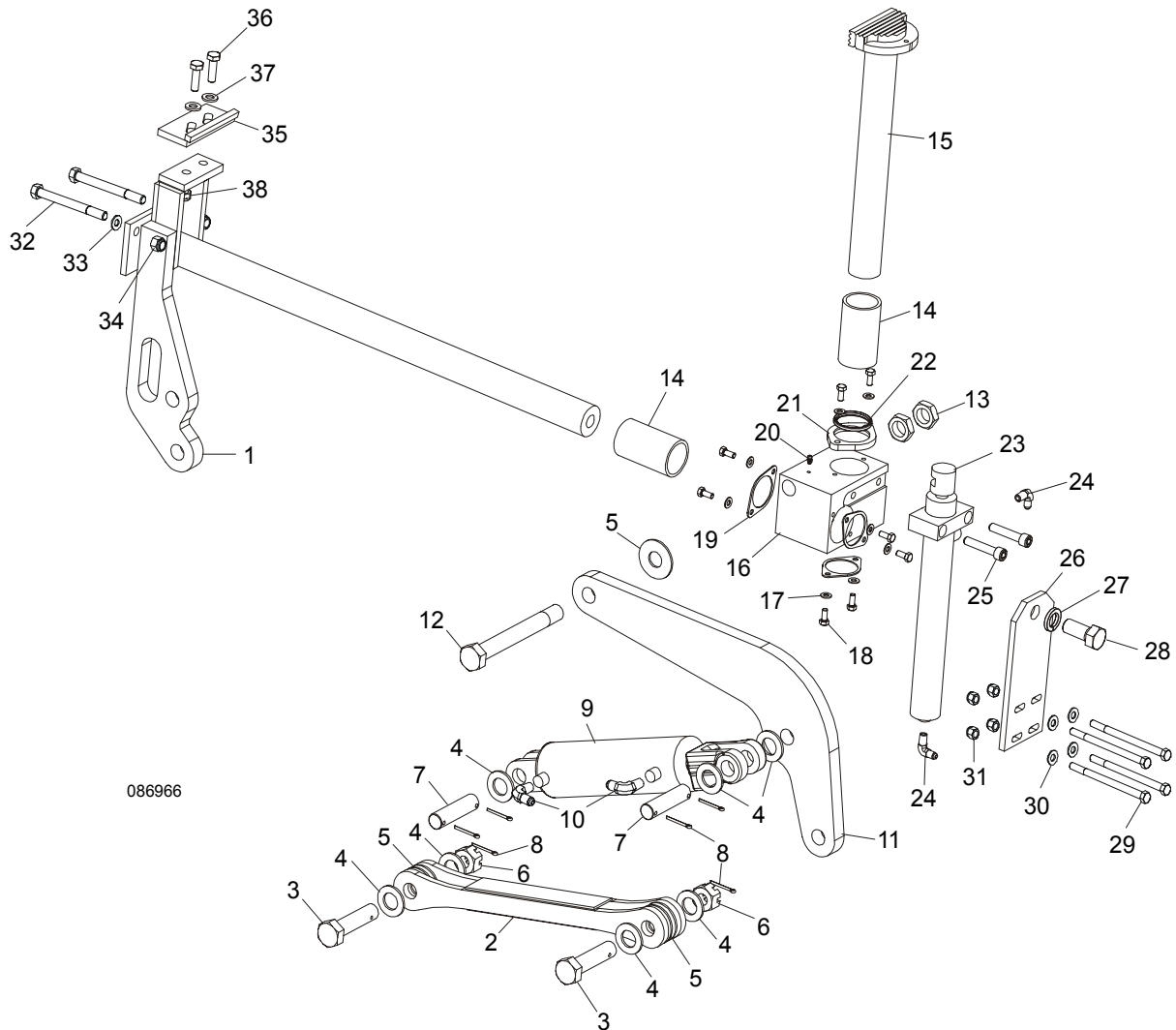
| REF | DESCRIPTION (◆ Indicates Parts Available In Assemblies Only) | PART #   | QTY. |   |
|-----|--|----------|------|---|
| 1   | SUPPORT, HYDRAULIC LOG SIDE                                  | 085578   | 2    |   |
| 2   | PIN, LOG SIDE SUPPORT PIVOT                                  | W09238   | 1    |   |
| 3   | PLATE, LOG SIDE SUPPORT END                                  | S09148   | 1    |   |
| 4   | BOLT, M12 X 40-8.8 HEX HEAD                                  | F81004-4 | 2    |   |
| 5   | WASHER, 13 FLAT  | F81056-1 | 2    |   |
| 6   | NUT, M12-8 HEX NYLON LOCK                                    | F81034-2 | 3    |   |
| 7   | BOLT, M12 X 40-8.8 HEX HEAD GRADE 5                          | F81004-4 | 1    |   |
| 8   | WASHER, 45/13  | 086184   | 1    |   |
| 9   | FITTING, 3/16" GREASE  | P04107   | 4    |   |
| 10  | Cylinder hydr. CJ-S270-16-50/28/152                          | 088678   | 1    | ◆ |
|     | Seal Kit, 6" x 2" Hydraulic Cylinder                         | P12954   | 1    |   |
| 11  | Fitting, C3529x4 90° Pipe                                    | P09140   | 2    |   |
| 12  | Fitting, C3759x4 Male 'T'                                    | P09141   | 2    |   |
| 13  | Valve, Hydraulic Sequence                                    | 015484   | 2    |   |

## 9

**Hydraulic System***Hydraulic Log Side Supports*

|    |   |            |   |  |
|----|---|------------|---|--|
| 14 | Fitting, 3/8" NPT - 1/4" NPT Reducer    | 015490     | 4 |  |
| 15 | <b>ROD, HYDRAULIC SIDE SUPPORT LINK</b> | 087037-1   | 1 |  |
| 16 | <b>END, RIGHT ROD</b>                   | 087035     | 1 |  |
|    | <b>END, LEFT ROD</b>                    | 087036     | 1 |  |
| 17 | <b>BOLT, M12 X 60-8.8 HEX HEAD</b>      | F81004-5   | 2 |  |
| 18 | <b>WASHER, 7.4 SAE FLAT</b>             | F81056-1   | 4 |  |
| 19 | <b>NUT, M12-8 HEX NYLON LOCK</b>        | F81034-2   | 2 |  |
| 20 | <b>NUT, M12-04-A RIGHT HEX JAM</b>      | F81034-6   | 1 |  |
|    | <b>NUT, M12-04-A LEFT HEX JAM</b>       | F81034-7   | 1 |  |
| 21 | <b>PIN, CYLINDER MOUNT</b>              | 086979-1   | 2 |  |
| 22 | <b>WASHER, 28 SAE FLAT</b>              | F81061-1   | 4 |  |
| 23 | <b>PIN, 5 X 40 COTTER</b>               | F81043-31  | 4 |  |
|    | <b>ROLLER KIT, SIDE SUPPORT</b>         | 015109     | 2 |  |
| 24 | Roller Assembly, Side Support           | 015014-1   | 2 |  |
| 25 | Washer, 17 Flat                         | F81058-1   | 4 |  |
| 26 | Bolt, 5/8-11 x 3" Hex Head Grade 5      | F05009-37  | 1 |  |
| 27 | Nut, 5/8-11 Nylon Lock                  | F05010-34  | 1 |  |
|    | Instruction Sheet, Side Support Roller  | 015109-526 | 1 |  |

### 9.7 Hydraulic Log Clamp



086966

| REF | DESCRIPTION (◆ Indicates Parts Available In Assemblies Only) | PART #   | QTY. |
|-----|--|----------|------|
|     | <b>CLAMP ASSEMBLY, SUPER HYDRAULIC</b>                       | 088658   | 1    |
| 1   | Mount Weldment, Super Clamp Tube                             | 086967-1 | 1    |
| 2   | Arm, Clamp Link  | 086963-1 | 1    |
| 3   | Bolt, B 24x95/85 Hex Head Grade 8                            | F81049-2 | 1    |
| 4   | Washer, 25 Flat  | F81061-3 | 8    |
| 5   | Washer, 25X63 Hardened                                       | 088585-1 | 5    |
| 6   | Nut, M20-8-B Slotted Hex                                     | F81037-3 | 2    |
| 7   | Pin, Cylinder Mount  | 086979-1 | 2    |

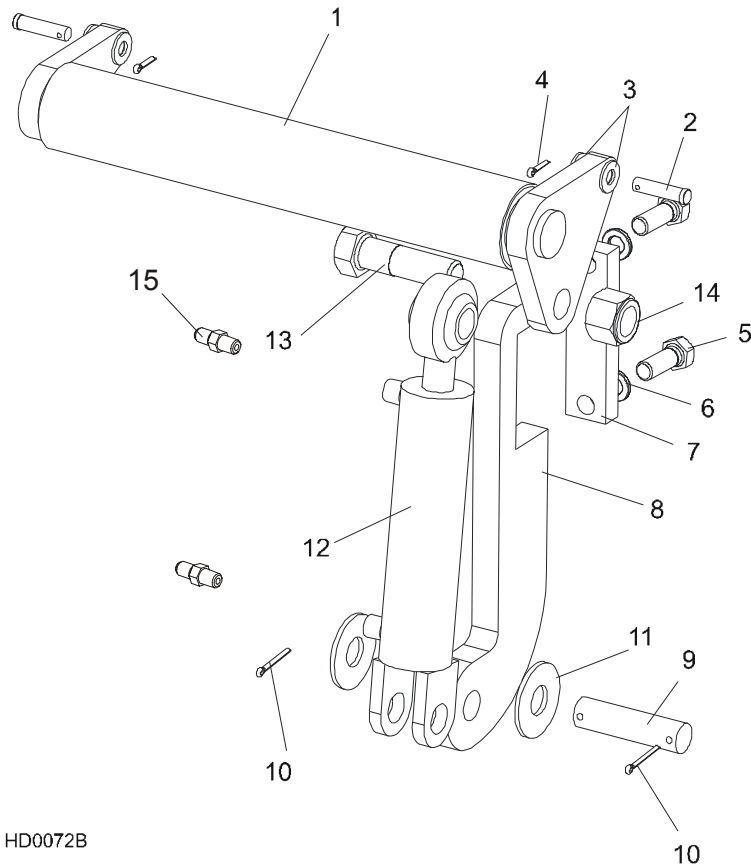
## 9

**Hydraulic System***Hydraulic Log Clamp*

|    |  |           |   |  |
|----|--|-----------|---|--|
| 8  | Pin, 6,3x45 Cotter                       | F81045-2  | 6 |  |
| 9  | Cylinder, CJ-S96-16-70/32/178 Hydraulic  | 088589    | 1 |  |
| 10 | Fitting, 1/4" NPT - 3/8" JIC Elbow       | P09142    | 2 |  |
| 11 | Link Weldment, Super '99 Clamp           | 086974-1  | 1 |  |
| 12 | Bolt, M24x217/39 -8.8-B Hex Head Grade 8 | 088586-1  | 1 |  |
| 13 | Nut, M24 -04-B Hex Jam                   | F81039-3  | 2 |  |
| 14 | Bushing, Clamp Slide 5040BS              | 088660    | 2 |  |
| 15 | Clamp Weldment, Vertical Super           | 088582-1  | 1 |  |
| 16 | Block, Vertical Clamp Mount              | 088591-1  | 1 |  |
| 17 | Washer, 8.4 Flat                         | F81054-1  | 8 |  |
| 18 | Bolt, M8x20-8.8-B Hex Head               | F81002-4  | 8 |  |
| 19 | Spacer, Log Clamp                        | 088887-1  | 3 |  |
| 20 | Fitting, 3/16" Grease                    | P04107    | 1 |  |
| 21 | Spacer, Log Clamp                        | 088887-1  | 1 |  |
| 22 | Wiper, Up/Down Rod ZZ 50x60x7            | 088587    | 1 |  |
| 23 | Cylinder, CJ-S169-16-40/22/254 Hydraulic | 088590    | 1 |  |
| 24 | Fitting, 1/4" NPT - 1/4" JIC Elbow       | P09142    | 2 |  |
| 25 | Screw, M12x55 -8.8-B Socket Head         | F81004-23 | 2 |  |
| 26 | Plate, Super Log Clamp Mount             | 086975-1  | 1 |  |
| 27 | Washer, Z 22,5 Split Lock                | F81059-4  | 1 |  |
| 28 | Bolt, M22x1,5x40 -8.8-B Hex Head Grade 5 | F81009-1  | 1 |  |
| 29 | Bolt, M10 x 125-8.8 Hex Head             | F81003-18 | 4 |  |
| 30 | Washer, 10.5 Flat                        | F81055-1  | 4 |  |
| 31 | Nut, M10-8-B Hex Nylon Lock              | F81033-1  | 4 |  |
| 32 | Bolt, M10 x 140-8.8 Hex Head             | F81004-37 | 2 |  |
| 33 | Washer, 13 Flat                          | F81056-1  | 2 |  |
| 34 | Nut, M12-8 Hex Nylon Lock                | F81034-1  | 2 |  |
|    | <b>CLAMP STOP KIT, HYDRAULIC LOG</b>     | K09485    | 1 |  |
| 35 | Plate, Clamp Stop                        | 086980-1  | 1 |  |
| 36 | Bolt, M12 x 40-8.8 Hex Head              | F81004-4  | 2 |  |
| 37 | Washer, 13 Flat                          | F81056-1  | 2 |  |
| 38 | Nut, M12-8 Hex Nylon Lock                | F81034-2  | 2 |  |



## 9.8 Hydraulic Toe Board



HD0072B

| REF | DESCRIPTION (◆ Indicates Parts Available In Assemblies Only) | PART #     | QTY. |
|-----|--|------------|------|
| 1   | TOE BOARD WELDMENT, HYDRAULIC                                | 086253-1   | 2    |
| 2   | PIN, 1/2-1 3/4 CLEVIS  | F05012-82  | 4    |
| 3   | WASHER, 13 SAE FLAT  | F81056-1   | 8    |
| 4   | PIN, S-ZN 2.5 X 20 COTTER                                    | F81043-1   | 4    |
| 5   | BOLT, 5/8-11 X 1 3/4" HEX HEAD                               | F05009-33  | 4    |
| 6   | WASHER, 17 SPLIT LOCK  | F81058-2   | 4    |
| 7   | PLATE, HYDRAULIC TOEBOARD MOUNT                              | S13023-1   | 2    |
| 8   | BRACKET, HYDRAULIC TOEBOARD MOUNT                            | 087729     | 2    |
| 9   | PIN, CYLINDER MOUNT  | S09251     | 2    |
| 10  | PIN, 3/16" X 1 1/2" COTTER                                   | F05012-23  | 4    |
| 11  | WASHER, 1" SAE FLAT  | F05011-28  | 4    |
| 12  | CYLINDER HYDR.CJ-S170-16-40/25/152                           | 088681     | 2    |
|     | Seal Kit, 1 1/2" x 6" Hydraulic Cylinder                     | 014547     | 1    |
| 13  | BOLT, 1-8 X 3 1/4" HEX HEAD GRADE 5                          | F05009-51  | 2    |
| 14  | NUT, 1-8 HEX NYLON LOCK                                      | F05010-109 | 2    |
| 15  | FITTING, 90° MALE ELBOW                                      | P09143     | 4    |