

Wood-Mizer®

Parts Manual

LT70S AH	rev. C7.08
LT70M AH	rev. C7.08
LT70 S/M AH WIDE	rev. C7.08



Safety is our #1 concern! Read and understand all safety information and instructions before operating, setting up or maintaining this machine.

Form #1052

Table of Contents

Section-Page

SECTION 1	GENERAL INFORMATION	1-1
1.1	How To Use the Parts List.....	1-1
1.2	Sample Assembly	1-1
SECTION 2	BLADE GUIDE ASSEMBLIES	2-1
2.1	Blade Guide Assembly, Idle Side	2-1
2.2	Blade Guide Assembly, Drive Side	2-3
2.3	Blade Guide Arm, Idle Side - Wide Saw Head	2-5
2.4	Blade Guide Arm, Idle Side	2-7
2.5	Blade Guide Mount Assembly, Drive Side	2-10
2.6	Blade Guide w/Extended Roller, Idle Side (524855)	2-11
2.7	Blade Guide w/Extended Roller, Drive Side (524863)	2-13
2.8	Extended Blade Guide Roller w/Bearings - 522502	2-15
SECTION 3	BLADE WHEELS & TENSIONER	3-1
3.1	Blade Drive Assembly.....	3-1
3.2	Idle-Side Blade Wheel Assembly	3-3
3.3	Hydraulic Blade Tensioner Assembly.....	3-4
3.4	Sawdust Flow Guide.....	3-6
3.5	Idle Side Wheel Arm Rocker W/Lever (520539_533944)	3-7
3.6	Blade Drive Wheels And Rollers Assembly, 2" Blade (586000)	3-8
3.7	2" Blade Drive Wheel (582126)	3-9
3.8	Idle Side 2" Blade Wheel (582125)	3-10
3.9	Drive Blade Wheel Wiper & Scraper Assembly (586150)	3-11
SECTION 4	SAW HEAD	4-1
4.1	Middle Throat Screw	4-1
4.2	Drive Belt Tensioner (AC)	4-2
4.3	Board Return Assembly (Optional)	4-3
4.4	Water Lube Assembly	4-5
4.5	Oil Tank	4-6
4.6	LT70AC Saw Head Decals	4-7
4.7	Blade Housing Covers.....	4-9
4.8	Sawdust Chute.....	4-11
4.9	Sawdust Chute (LT70 Wide only).....	4-12
4.10	Saw Head Rest Bracket & Plate Mount	4-13
4.11	LT Sawmill Saw Head Rest Bracket.....	4-14
4.12	Saw Head Support Bracket (only portable sawmills with the new type of "M" frame)	

4-15

Table of Contents

Section-Page

SECTION 5	CONTROL BOXES	5-1
5.1	Control Assembly, LT70 AH	5-1
5.2	Control Assembly, LT70-RSW	5-3
5.3	Control Assembly, LT70 Remote	5-5
5.4	Box Assembly, LT70 Remote 10- Section	5-7
5.5	Drum Switches	5-9
5.6	Circuit Breakers.....	5-10
5.7	Front Panel Assembly & Harnesses	5-11
5.8	Plate, LT70 Remote Complete Front Control Box	5-12
5.9	Solenoids	5-13
SECTION 6	UP/DOWN SYSTEM	6-1
6.1	Up/Down Rollers & Covers	6-1
6.2	Blade Height Scale	6-3
6.3	Up/Down Chain & Sprockets	6-5
6.4	Safety Switches	6-6
6.5	Up/Down Drive Assembly	6-7
SECTION 7	FEED SYSTEM & TRACK ROLLERS	7-1
7.1	Upper Track Rollers And Wipers.....	7-1
7.2	Power Feed Assembly	7-3
7.3	Feed Chain/Stop, LT70 S/M	7-5
7.4	Feed Chain/Stop	7-6
7.5	Lower Track Rollers.....	7-7

Table of Contents

Section-Page

SECTION 8 BED FRAME ASSEMBLY

8-1

8.1	Front Bed Rail Assembly	8-1
8.2	Additional Angled Bed Rail (Long) - Complete	8-2
8.3	Additional Flat Bed Rail (Long) - Complete	8-3
8.4	Additional Flat Bed Rail (Short) - Complete	8-4
8.5	Additional Angled Bed Rail (Short) - Complete	8-5
8.6	Rear Bed Rail Assembly	8-6
8.7	Front Middle Bed Rail Assembly	8-7
8.8	Rear Middle Bed Rail Assembly	8-8
8.9	Bed Rail Assembly, Front (LT70M Super)	8-9
8.10	Bed Rail Assembly, Middle (LT70M Super).....	8-10
8.11	Front Clamp Mount Assembly (A/DH5/7)	8-11
8.12	Bed Extension LT70 (0.9m) - Complete	8-12
8.13	Board Removal Bumper, "M" Frame (No. 528350)	8-14
8.14	Angled Bed Rail ("S" Type Frame)	8-15
8.15	Clamp Mount Rear (A/DH5/7)	8-17
8.16	Angled Bed Rails, "M" Frame	8-18
8.17	Stationary Legs, "M" Frame	8-20
8.18	Plate Set, M Type Frame Bed Rail 1-2 & 2-3 (Option)	8-21
8.19	Angled Bed Rails for "L" Frame	8-22
8.20	Bed Frame Decals	8-23
8.21	M Frame Long Table	8-24
8.22	Pivot Bed Rail Assembly	8-26
8.23	Log Side Support Assembly (Manual)	8-27
8.24	Saw Head Rest Pin Assembly	8-28
8.25	Inspection Platform for Wide "M" Frame	8-29
8.26	Inspection Platform (M-type Frame Sawmills)	8-30
8.27	Inspection Platform for the Old Type Frame (Optional)	8-31
8.28	Inspection Platform (New M-type Frame, Mobile Sawmills).....	8-32
8.29	Inspection Platform ("M" Frame w/Driven Log Levelling Roller)	8-33
8.30	Saw Head Transport Bracket, LT70 M	8-34
8.31	Adjustable Legs for "M" Frame (Standard Hydraulic Equipment)	8-35
8.32	Front Adjustable Leg (at the hitch)	8-36
8.33	Wall Mount Remote Set (Cutting Length of 6.5 m).....	8-37
8.34	Wall Mount Remote Set (Cutting Length of 6.5-10 m)	8-38
8.35	4-Post Remote Set	8-39
8.36	5-Post Remote Set	8-40
8.37	Octagonal Profile Sawing Tool (Option)	8-41
8.38	Sawmill Transport Bracket Assembly (Option)	8-42
8.39	Bed Frame Decals	8-43
8.40	Tie Down Chain Assembly	8-44
8.41	7-Post Remote Set 550025	8-45
8.42	Guide Rail 550024	8-46
8.43	Guide Rail Support Post 520669	8-47
8.44	Guide Rail Support Post 518736	8-48
8.45	Wall Mount Remote Set 550026	8-49
8.46	Wall Mount Bracket Kit 518724	8-50
8.47	Stationary Legs for "M" Frame. 522944	8-51

Table of Contents

Section-Page

8.48	Stationary Legs for "S" Frame. 526546	8-52
8.49	Leg, Front Stationary Adjustable (Part No. 550138)	8-54
8.50	Leg, Main Tube High (Part No. 550134)	8-56
8.51	Leg, Middle Stationary Adjustable (Part No. 550126)	8-58
8.52	Leg, Left Stationary Adjustable (Part No. 550130)	8-59
8.53	Main Tube Cover Assembly (Part No. 093052)	8-61
SECTION 9	HYDRAULIC SYSTEM	9-1
9.1	Hydraulic Boxes, LT40/LT70	9-2
9.2	LT40/LT70 Hydraulic Control Boxes	9-3
9.3	Hydraulic Electric Box, AC	9-4
9.4	Hydraulic Hoses	9-5
9.5	Hydraulic Electric Box, AC	9-7
9.6	Hydraulic Control Box, LT40/70 AH-7 (Option)	9-8
9.7	Hydraulic Control Box, 11-Section AC	9-10
9.8	Hydraulic Control Box, LT40/70 AC 14-Section	9-13
9.9	Shock Absorber Assembly - Option for Sawmills Equipped with Hydraulics	9-17
9.10	Hydraulic Control Box, LT70 AH1	9-19
9.11	Hydraulic Control Box, AHP3/LT40/LT70 Stationary Sawmills 7-Section (M-type Frame)	
9-21		
9.12	Hydraulic Control Box, AHP5/LT40/LT70 Stationary Sawmills 10-Section (M-type Frame)	9-24
9.13	Hydraulic Control Box, AHP7/LT40/LT70 Stationary Sawmills 11-Section (M-type Frame)	9-27
9.14	Hydraulic Hose Kit, AH"M" Frame Sawmills MBX12/24H1-6	9-30
9.15	Hydraulic Hose Hanger Kit, "M" Frame (AH1-3) MBX12/24H1-4	9-31
9.16	Hydraulic Hose Hanger Kit, "M" Frame (AH4-7) MBX12/24H5-6	9-32
9.17	Hydraulic Control Box, 16-Section LT20/40/70 AC	9-33
9.18	Hydraulic Control Box, LT40/LT70 AC 10-Section	9-36
9.19	Hydraulic Control Box, LT70 Series AH3	9-38
9.20	Hydraulic Control Box, LT70 Series AH5/7	9-40
9.21	Hydraulic Power Supply Strip	9-42
9.22	Hydraulic Log Loader	9-44
9.23	Hydraulic Log Loader, Extended for "S", "M" and "M Super" Frames with 2.5 t. and 2.6 t. Trailer	9-46
9.24	Log Loader, 3-Arm, L-Frame	9-48
9.25	Hydraulic Log Side Supports (S/M Type Frame)	9-50
9.26	Vertical Side Support Kit - L-type frame	9-52
9.27	Vertical Side Support Kit - M-type frame	9-54
9.28	Hydraulic Pull-Down Clamp	9-56
9.29	Main Hydraulic Log Clamp (2 Rods)	9-58
9.30	Main Log Clamp (540970)	9-60
9.31	Two-Plane Log Clamp - M-type Frame +100 (544213)	9-62
9.32	Hydraulic Toe Board	9-64
9.33	Left Hydraulic Toe Board (on lower bed rail)	9-65
9.34	Driven Log Levelling Roller (mounted on lower bed rail)	9-66
9.35	Driven Log Levelling Roller, Lower Bed Rail (510607), Back "L" Frame (544241)	

Table of Contents

Section-Page

9-68

9.36	Log Levelling Driven Roller. 2 Cylinders.	9-70
9.37	Driven Log Levelling Roller, Left w/2 Cylinders	9-72
9.38	Toe Board Roller. 544228	9-74
9.39	Stationary Leg (Part No. 501639)	9-75
9.40	Front Box. 555426	9-76
9.41	Front Box. 555427	9-78
9.42	Front Box. 555432	9-80
9.43	Front Box. 555433	9-82
9.44	Front Box. 555435	9-84
9.45	Rear Box. 555444	9-86
9.46	Front Box. 555429	9-88
9.47	Rear Box. 555445	9-90
9.48	Front Box. 555430	9-92

SECTION 1 GENERAL INFORMATION

1.1 How To Use the Parts List

- Use the index above to locate the assembly that contains the part you need.
- Go to the appropriate section and locate the part in the illustration.
- Use the number pointing to the part to locate the correct part number and description in the table.
- Parts shown indented under another part are included with that part.
- Parts marked with a diamond (◆) are only available in the assembly listed above the part.

See the sample table below. Sample Part #A01111 includes part F02222-2 and subassembly A03333. Subassembly A03333 includes part S04444-4 and subassembly K05555. The diamond (◆) indicates that S04444-4 is not available except in subassembly A03333. Subassembly K05555 includes parts M06666 and F07777-77. The diamond (◆) indicates M06666 is not available except in subassembly K05555.

1.2 Sample Assembly				
REF.	DESCRIPTION (◆ Indicates Parts Available In Assemblies Only)	PART #	QTY	
	Sample Assembly, Complete (Includes All Indented Parts Below)	A01111	1	
1	Sample Part	F02222-22	1	
	Sample Subassembly (Includes All Indented Parts Below)	A03333	1	
2	Sample Part (◆ Indicates Part Is Only Available With A03333)	S04444-4	1	◆
	Sample Subassembly (Includes All Indented Parts Below)	K05555	1	
3	Sample Part (◆ Indicates Part Is Only Available With K05555)	M06666	2	◆
4	Sample Part	F07777-77	1	

To Order Parts:

- From Europe call our European Headquarters and Manufacturing Facility in Kolo, Poland at **+48-63-2626000**. From the continental U.S., call our toll-free Parts hotline at **1-800-525-8100**. Have your customer number, vehicle identification number, and part numbers ready when you call. From other international locations, contact the Wood-Mizer distributor in your area for parts.

Office Hours:

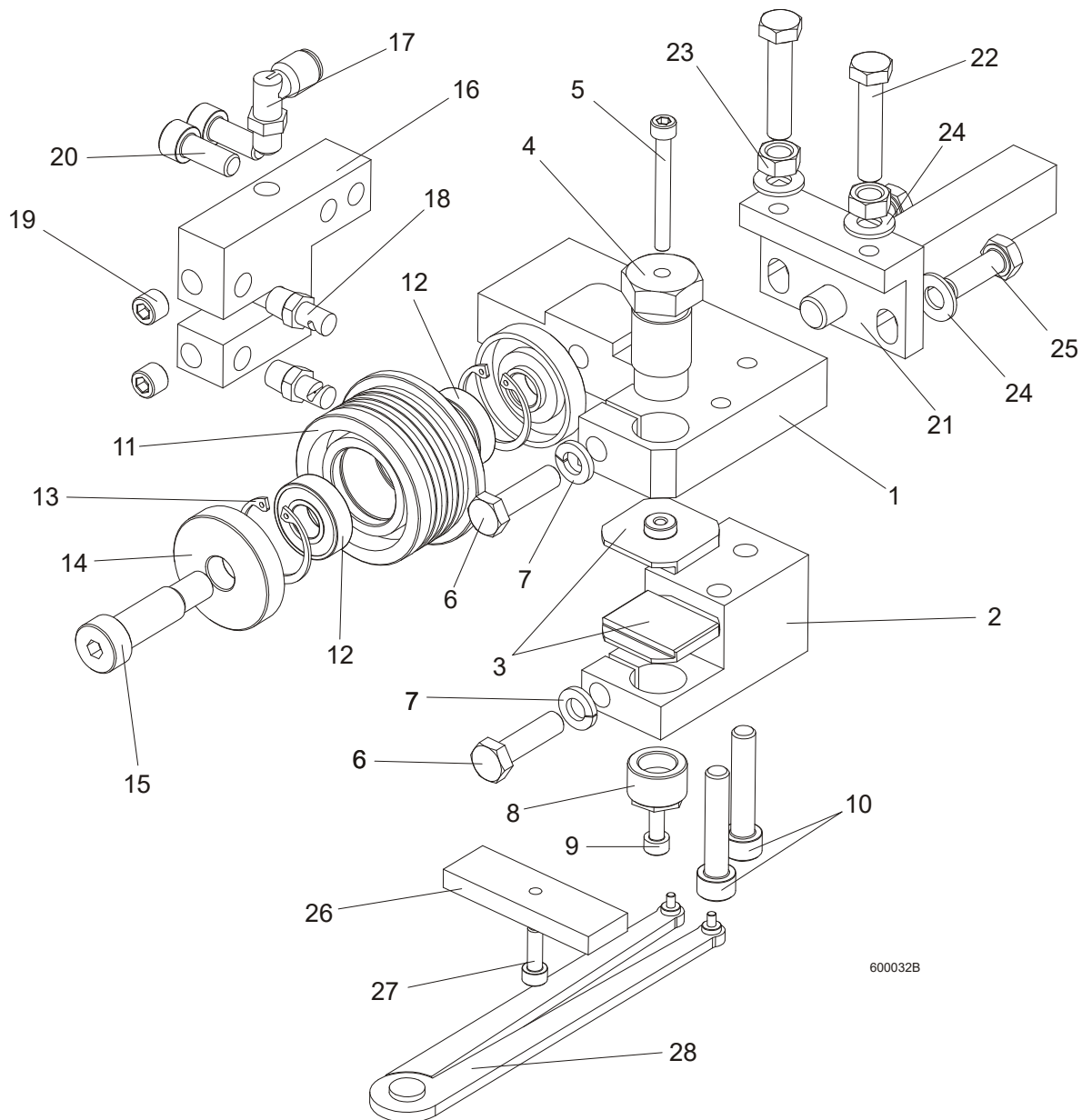
Country	Monday - Friday	Saturday	Sunday
Poland	7-15	Closed	Closed
US	8 a.m.- 5 p.m.	8 a.m.- 12 p.m.	Closed



CAUTION! It is strongly recommended that only original spare parts be used.

SECTION 2 BLADE GUIDE ASSEMBLIES

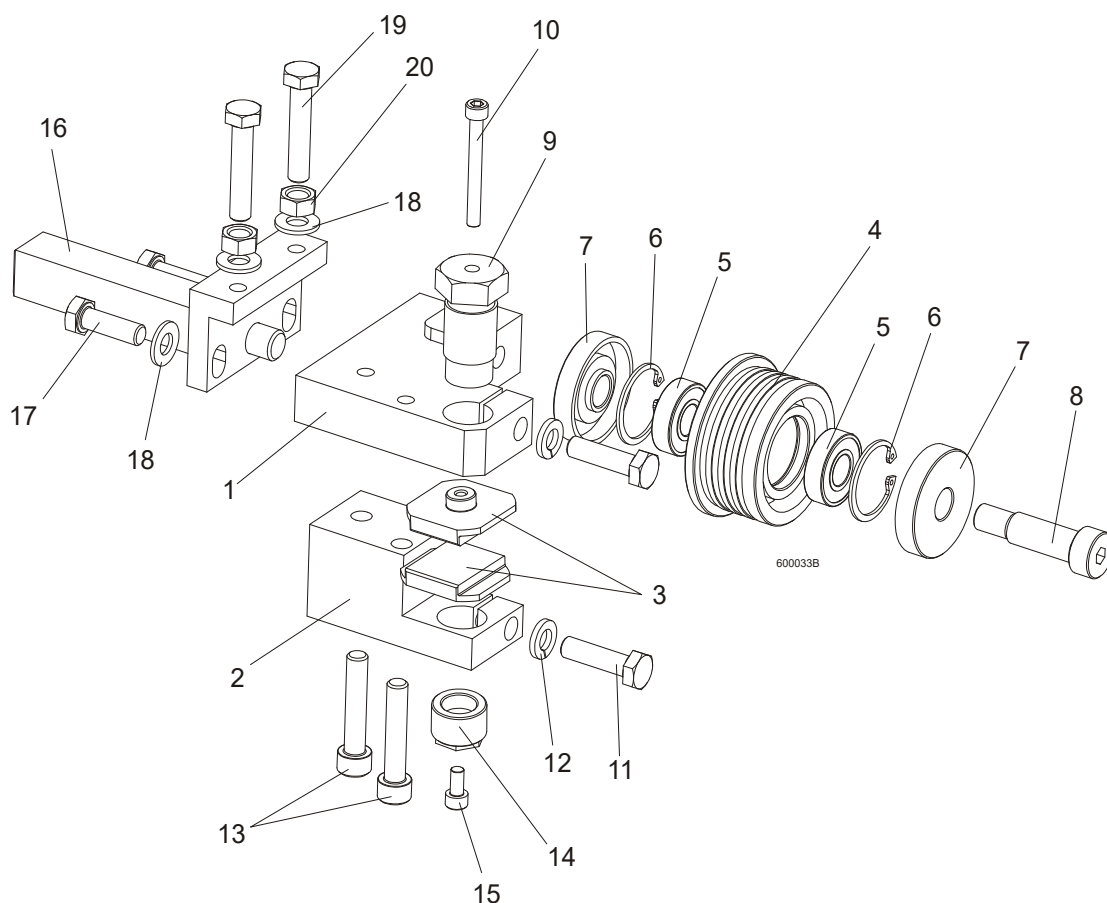
2.1 Blade Guide Assembly, Idle Side



600032B

REF	DESCRIPTION (◆ INDICATES PARTS AVAILABLE IN ASSEMBLIES ONLY)	PART #	QTY
	BLADE GUIDE ASSEMBLY, IDLE SIDE, EXTENDED (FOR OPTIONAL USE WITH 1 1/2" BLADES)	092997	1
1	Block, Blade Guide Mount Zinc-Plated	090947-1	1
2	Block, Lower Ceramic Pad Mount Zinc-Plated	090948-1	1
3	Block, Blade Guide Zinc	093430-1	2
4	Bolt, Upper Pad Adjustment Zinc-Plated	089515-1	1
5	SCREW, M5X45 DIN912 A2-70 HEX SOCKET HE	F81000-24	1
6	Bolt, M8x30 DIN933 A2-70 Stainless Steel	F81002-27	2
7	WASHER 8,2 SPLIT LOCK ZINC	F81054-4	2
8	Screw, Lower Pad Adjuster Zinc-Plated	516191-1	1
9	SCREW, M5X10 DIN912 A2-70 HEX SOCKET HE	F81000-23	1
10	Screw, M8x40-8.8 Hex Socket Head Cap Zinc	F81002-29	2
	Roller, Blade Guide w/Bearing, Extended	092939	1
11	Roller, Blade Guide Extended	087890	1
12	BEARING, 6001 2RSR (FAG, SKF)	087893	2
13	Ring, W28 Inside Retaining	F81090-9	2
14	RING, ZINC-PLATED SPACER	087891-1	1
	Washer, Blade Guide Roller Spacer Zinc-Plated	087892-1	1
15	Screw, 12/M10x30 12.9 ISO 7379 Socket Head Shoulder	F81003-70	1
	Screw, 12/M10x35 12.9 ISO 7379 Socket Head Shoulder (used with the Extended Roller only)	F81003-48	1
16	Block, Nozzle Mounting Zinc-Plated	090487-1	1
17	ELBOW, 90 DEG 1/8MPT 1/4 TUBE SWIVEL	P09736	1
18	Nozzle, Blade Lube Spray	033479	2
19	PLUG, M10X1 DIN906 BN40 ZINC	F81015-3	2
20	Screw, M8x20-8.8 Hex Socket Head Cap Zinc	F81002-30	2
21	BRACKET WELDMENT, BLADE GUIDE ZINC-PLATE	089509-1	1
22	Bolt, M8x40 DIN933 A2-70 Stainless Steel	F81002-28	2
23	NUT, M8 DIN 934 A2-70 STAINLESS STEEL	F81032-7	2
24	WASHER, 8.4 FLAT ZINC	F81054-1	4
25	Bolt, M8x25 DIN933 A2-70 Stainless Steel	F81002-26	2
	PLATE, BLADE GUIDE ALIGNMENT - COMPLETE	090951	1
26	PLATE, BLADE GUIDE ALIGNMENT ZINC-PLATED	090805-1	1
27	Screw, M5X16-8.8 Hex Socket Head Cap Zinc	F81000-25	1
28	Tool, 62860-3 (PERSCHMAN) Lower Pad Adjustment	090949	1

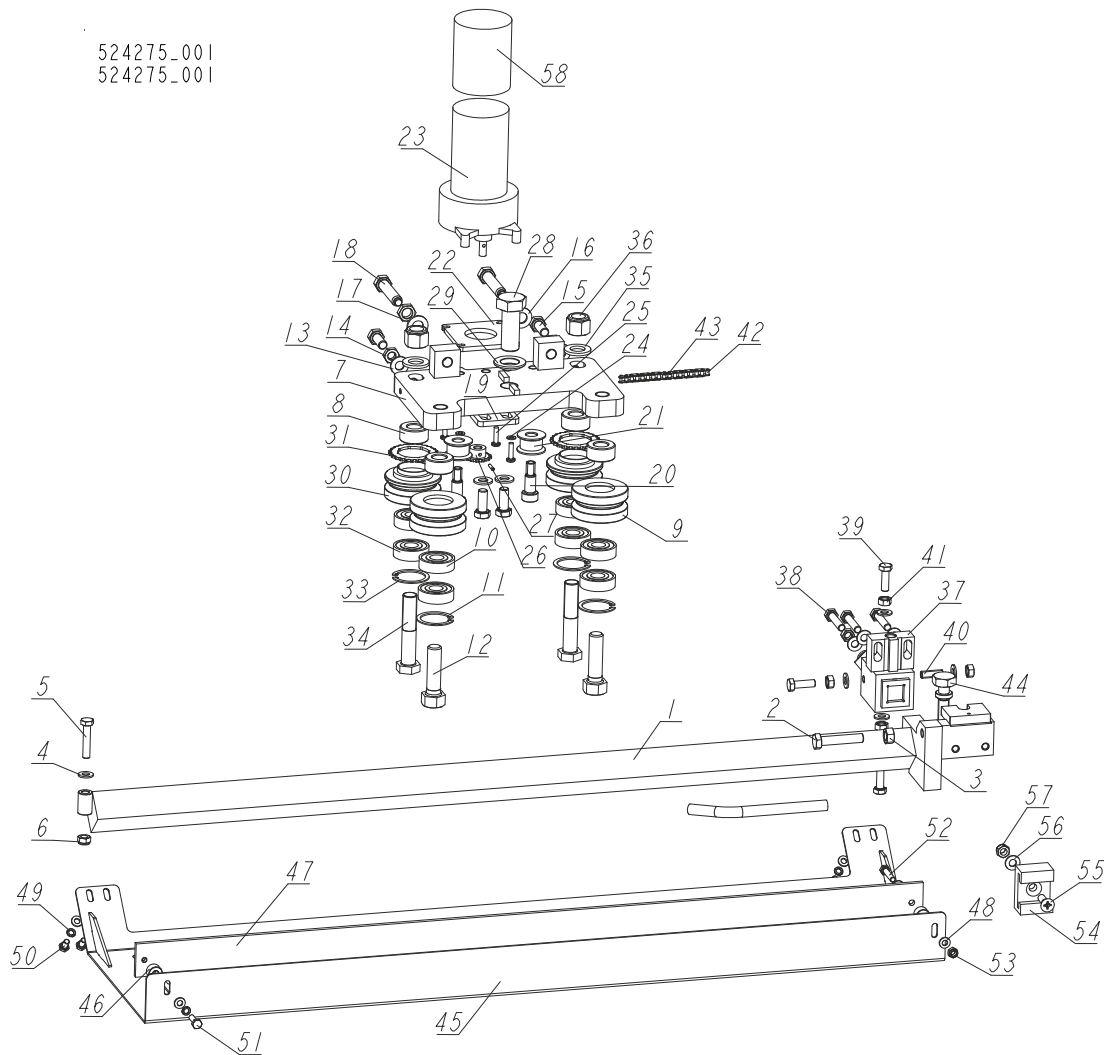
2.2 Blade Guide Assembly, Drive Side



REF	DESCRIPTION (◆ INDICATES PARTS AVAILABLE IN ASSEMBLIES ONLY)	PART #	QTY	
	BLADE GUIDE ASSEMBLY, DRIVE SIDE, EXTENDED (FOR OPTIONAL USE WITH 1 1/2" BLADES)	092998	1	
1	Block, Blade Guide Mount Zinc-Plated	090944-1	1	
2	Block, Lower Ceramic Pad Mount Zinc-Plated	090946-1	1	
3	Block, Blade Guide Zinc	093430-1	2	
	Roller, Blade Guide w/Bearing, Extended	092939	1	
4	Roller, Blade Guide Extended	087890	1	
5	BEARING, 6001 2RSR (FAG, SKF)	087893	2	◆
6	Ring, W28 Inside Retaining	F81090-9	2	
7	RING, ZINC-PLATED SPACER	087891-1	1	
	Washer, Blade Guide Roller Spacer Zinc-Plated	087892-1	1	
8	Screw, 12/M10x30 12.9 ISO 7379 Socket Head Shoulder	F81003-70	1	
	Screw, 12/M10x35 12.9 ISO 7379 Socket Head Shoulder (used with the Extended Roller only)	F81003-48	1	
9	Bolt, Upper Pad Adjustment	089515	1	
10	SCREW, M5X45 DIN912 A2-70 HEX SOCKET HE	F81000-24	1	
11	Bolt, M8x30 DIN933 A2-70 Stainless Steel	F81002-27	2	
12	WASHER 8,2 SPLIT LOCK ZINC	F81054-4	2	
13	Screw, M8x40-8.8 Hex Socket Head Cap Zinc	F81002-29	2	
14	SCREW, LOWER PAD ADJUSTER ZINC-PLATED	516191-1	1	

15	SCREW, M5X10 DIN912 A2-70 HEX SOCKET HE	F81000-23	1	
16	BRACKET WELDMENT, BLADE GUIDE ZINC-PLATE	089509-1	1	
17	Bolt, M8x25 DIN933 A2-70 Stainless Steel	F81002-26	2	
18	WASHER, 8.4 FLAT ZINC	F81054-1	4	
19	Bolt, M8x40 DIN933 A2-70 Stainless Steel	F81002-28	2	
20	NUT, M8 DIN 934 A2-70 STAINLESS STEEL	F81032-7	2	

2.3 Blade Guide Arm, Idle Side - Wide Saw Head

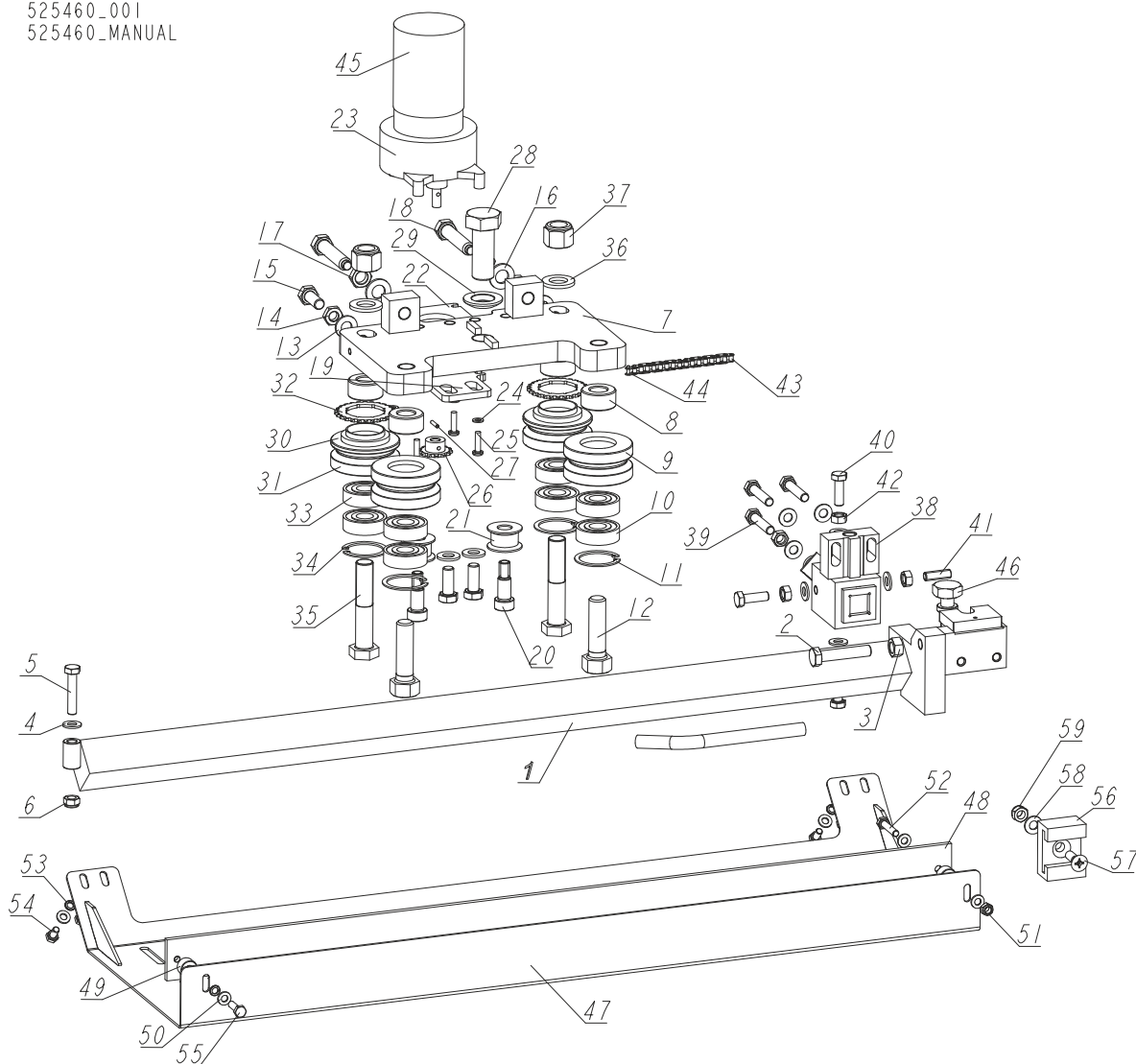


REF	DESCRIPTION (◆ INDICATES PARTS AVAILABLE IN ASSEMBLIES ONLY)	PART #	QTY
-	ARM, BLADE GUIDE - IDLE SIDE	524275	1
1	ARM, BLADE GUIDE ZINC-PLATED	524273-1	1
2	BOLT, M10X50MM,HEX HEAD FULL THREAD ZINC	F81003-4	1
3	NUT, M10-8-B-HEX ZINC	F81033-3	1
4	WASHER, 8.4 FLAT ZINC	F81054-1	8
5	BOLT, M8X40-8.8 HEX HEAD FULL THREAD ZINC	F81002-15	1
6	NUT, M8-8-B HEX NYLON ZINC LOCK	F81032-2	1
7	PLATE WELDMENT, BLADE GUIDE ARM ZINC-PLATED	090800-1	1
8	BUSHING, 16/32-16 ZINC-PLATED	090804-1	4
-	ROLLER ASSY, B/G IDLER	042543	2
9	ROLLER, 2 1/2 V-GROOVE	042536	1
10	BEARING, 5/8X1.7548X.4724	P06030-1	2
11	RING, 1.575 INTERNAL BEVELED RETAINING	F04254-8	1
12	BOLT, 5/8-18X2 1/4 HH GRADE 5	F05009-80	2
13	WASHER, 10.5 FLAT ZINC	F81055-1	4
14	NUT, M10-04-W HEX ZINC THIN	F81033-6	2
15	BOLT, M10X25 8.8 HEX HEAD FULL THREAD	F81003-31	4

REF	DESCRIPTION (◆ INDICATES PARTS AVAILABLE IN ASSEMBLIES ONLY)	PART #	QTY
16	WASHER, 13 FLAT ZINC	F81056-1	2
17	NUT, M12X1.25-8 HEX THIN ZINC	F81034-5	2
18	SCREW, M12X1.25X60-33H HEX SET ZINC W/FULL DOG POINT	F81004-52	2
19	PLATE, BLADE GUIDE MOTOR MOUNT	557374-1	1
20	BOLT, 12/M10X20 12.9 ISO7379 SHOULDER (BOSSARD)	F81003-68	2
21	ROLLER, CHAIN GUIDE	090801	2
22	PLATE, SPACER	557373-1	1
23	MOTOR, CURRENT APPLICATION 1/30HP 12VDC GEAR	557161	1
24	WASHER, 5.3 FLAT ZINC	F81052-1	4
25	BOLT, #10-32X3/4 CRSL PH	F81000-35	4
26	SPROCKET, 25B13X.3130	P09970	1
27	PIN, 3X14 GEOMET ROLL	F81044-4	1
28	BOLT, M20X1.5X50-8.8-B HEX HEAD FULL THREAD ZINC	F81007-2	1
29	WASHER, DIN 6319-21C SPHERICAL (GOMA)	F81059-6	1
-	ROLLER ASSY, B/G DRIVE	042542	2
-	ROLLER ASSY, B/G PRESSED DRIVE	042541	1
30	ROLLER, 2.5 V-GROOVE DRIVE	042535	1
31	SPROCKET, #25 CHAIN 26 TOOTH	S09931	1
32	BEARING, 5/8X1.7548X.4724	P06030-1	2
33	RING, 1.575 INTERNAL BEVELED RETAINING	F04254-8	1
34	BOLT, 5/8-18X3 1/4 HHC GRADE 5	F05009-98	2
35	WASHER, 17 SPLIT LOCK ZINC	F81058-1	2
36	NUT, 5/8-18 NYLON ZINC LOCK	F05010-71	2
37	MOUNTING BLOCK, DRIVE SIDE BLADE GUIDE (089503-1	1
38	BOLT, M8X40 DIN933 A2-70 STAINLESS STEEL	F81002-28	3
39	BOLT, M8X25 DIN933 A2-70 STAINLESS STEEL	F81002-26	3
40	SCREW, M8X25 A2-70 DIN 913 STAINLESS STE	F81014-3	1
41	NUT, M8 DIN 934 A2-70 STAINLESS STEEL	F81032-7	5
-	CHAIN, BLADE GUIDE ARM DRIVE	093805	1
42	CHAIN, #25X92 PITCHES B/G	042443	2
43	LINK, 25 MASTER	P09983	2
44	BOLT, BLADE GUIDE ADJUSTMENT (ZINC-PL.)	506552-1	1
-	GUARD, LT70 BLADE - COMPLETE	525483	1
45	GUARD WELDMENT, LT70 BLADE	525480-1	1
46	BUSHING, 6.5/16-10.5	525463-1	2
47	BAR, LT70 BLADE GUARD	524272	1
48	WASHER, 6.4 FLAT ZINC	F81053-1	7
49	WASHER, Z 6.1 SPLIT LOCK	F81053-3	5
50	BOLT, M6X12-8.8 HEX HEAD FULL THREAD ZIN	F81001-7	4
51	BOLT, M6X20 8.8 HEX HEAD FULL THREAD ZINC	F81001-2	1
52	BOLT, M6X30-8.8 HEX HEAD FULL THREAD	F81001-13	1
53	NUT, M6-8-B HEX NYLON ZINC LOCK	F81031-2	1
54	BRACKET, BLADE GUIDE ARM GUIDE	088305	1
55	BOLT, M8X25 PAN HEAD ZINC	F81002-51	1
56	WASHER, 8.4 FLAT ZINC	F81054-1	1
57	NUT, M8-8-B HEX NYLON ZINC LOCK	F81032-2	1
58	CAP, 2.5 ID X 3 RUBBER	023720	1

2.4 Blade Guide Arm, Idle Side

525460_001
 525460_MANUAL



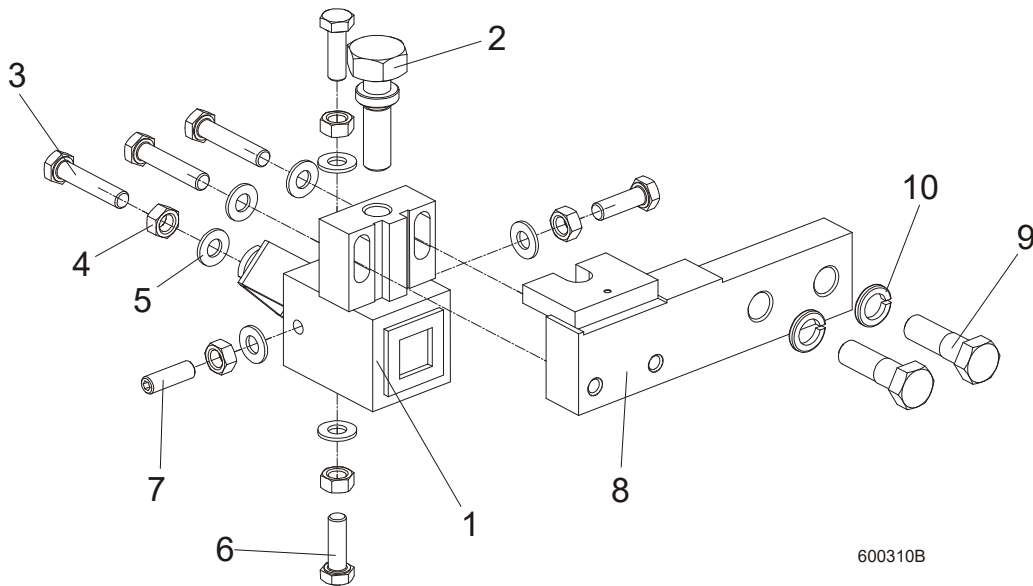
REF	DESCRIPTION (◆ INDICATES PARTS AVAILABLE IN ASSEMBLIES ONLY)	PART #	QTY
-	ARM, BLADE GUIDE - IDLE SIDE	525460	1
1	ARM, BLADE GUIDE ZINC-PLATED	525856-1	1
2	BOLT, M10X50MM,HEX HEAD FULL THREAD ZINC	F81003-4	1
3	NUT, M10-8-B-HEX ZINC	F81033-3	1
4	WASHER, 8.4 FLAT ZINC	F81054-1	8
5	BOLT, M8X40-8.8 HEX HEAD FULL THREAD ZINC	F81002-15	1
6	NUT, M8-8-B HEX NYLON ZINC LOCK	F81032-2	1
7	PLATE WELDMENT, BLADE GUIDE ARM ZINC-PLATED	090800-1	1
8	BUSHING, 16/32-16 ZINC-PLATED	090804-1	4
-	ROLLER ASSY, B/G IDLER	042543	2
9	ROLLER, 2 1/2 V-GROOVE	042536	1
10	BEARING, 5/8X1.7548X.4724	P06030-1	2
11	RING, 1.575 INTERNAL BEVELED RETAINING	F04254-8	1

REF	DESCRIPTION (◆ INDICATES PARTS AVAILABLE IN ASSEMBLIES ONLY)	PART #	QTY
12	BOLT, 5/8-18X2 1/4 HH GRADE 5	F05009-80	2
13	WASHER, 10.5 FLAT ZINC	F81055-1	4
14	NUT, M10-04-W HEX ZINC THIN	F81033-6	2
15	BOLT, M10X25 8.8 HEX HEAD FULL THREAD	F81003-31	4
16	WASHER, 13 FLAT ZINC	F81056-1	2
17	NUT, M12X1.25-8 HEX THIN ZINC	F81034-5	2
18	SCREW, M12X1.25X60-33H HEX SET ZINC W/FULL DOG POINT	F81004-52	2
19	PLATE, BLADE GUIDE MOTOR MOUNT	557374-1	1
20	BOLT, 12/M10X20 12.9 ISO7379 SHOULDER (BOSSARD)	F81003-68	2
21	ROLLER, CHAIN GUIDE	090801	2
22	PLATE, SPACER	557373-1	1
23	MOTOR, CURRENT APPLICATION 1/30HP 12VDC GEAR	557161	1
24	WASHER, 5.3 FLAT ZINC	F81052-1	4
25	BOLT, #10-32X3/4 CRSL PH	F81000-35	4
26	SPROCKET, 25B13X.3130	P09970	1
27	PIN, 3X14 GEOMET ROLL	F81044-4	1
28	BOLT, M20X1.5X50-8.8-B HEX HEAD FULL THREAD ZINC	F81007-2	1
29	WASHER, DIN 6319-21C SPHERICAL (GOMA)	F81059-6	1
30	ROLLER ASSY, B/G DRIVE	042542	2
-	ROLLER ASSY, B/G PRESSED DRIVE	042541	1
31	ROLLER, 2.5 V-GROOVE DRIVE	042535	1
32	SPROCKET, #25 CHAIN 26 TOOTH	S09931	1
33	BEARING, 5/8X1.7548X.4724	P06030-1	2
34	RING, 1.575 INTERNAL BEVELED RETAINING	F04254-8	1
35	BOLT, 5/8-18X3 1/4 HHC GRADE 5	F05009-98	2
36	WASHER, 17 SPLIT LOCK ZINC	F81058-1	2
37	NUT, 5/8-18 NYLON ZINC LOCK	F05010-71	2
38	MOUNTING BLOCK, DRIVE SIDE BLADE GUIDE (089503-1	1
39	BOLT, M8X40 DIN933 A2-70 STAINLESS STEEL	F81002-28	3
40	BOLT, M8X25 DIN933 A2-70 STAINLESS STEEL	F81002-26	3
41	SCREW, M8X25 A2-70 DIN 913 STAINLESS STE	F81014-3	1
42	NUT, M8 DIN 934 A2-70 STAINLESS STEEL	F81032-7	5
-	CHAIN, BLADE GUIDE ARM DRIVE	093805	1
43	CHAIN, #25X92 PITCHES B/G	042443	2
44	LINK, 25 MASTER	P09983	2
45	CAP, 2.5 ID X 3 RUBBER	023720	1
46	BOLT, BLADE GUIDE ADJUSTMENT (ZINC-PL.)	506552-1	1
-	GUARD, LT70 STANDARD BLADE	525860	1
47	GUARD WELDMENT, LT70 BLADE	525459-1	1
48	BAR, BLADE GUARD	088306	1
49	BUSHING, 6.5/16-10.5	525463-1	2
50	WASHER, 6.4 FLAT ZINC	F81053-1	7
51	NUT, M6-8-B HEX NYLON ZINC LOCK	F81031-2	1
52	BOLT, M6X30-8.8 HEX HEAD FULL THREAD	F81001-13	1
53	WASHER, Z 6.1 SPLIT LOCK	F81053-3	5
54	BOLT, M6X12-8.8 HEX HEAD FULL THREAD ZIN	F81001-7	4
55	BOLT, M6X20 8.8 HEX HEAD FULL THREAD ZINC	F81001-2	1

2**Blade Guide Assemblies***Blade Guide Arm, Idle Side*

REF	DESCRIPTION (◆ INDICATES PARTS AVAILABLE IN ASSEMBLIES ONLY)	PART #	QTY	
56	BRACKET, BLADE GUIDE ARM GUIDE	088305	1	
57	BOLT, M8X25 PAN HEAD ZINC	F81002-51	1	
58	WASHER, 8.4 FLAT ZINC	F81054-1	1	
59	NUT, M8-8-B HEX NYLON ZINC LOCK	F81032-2	1	

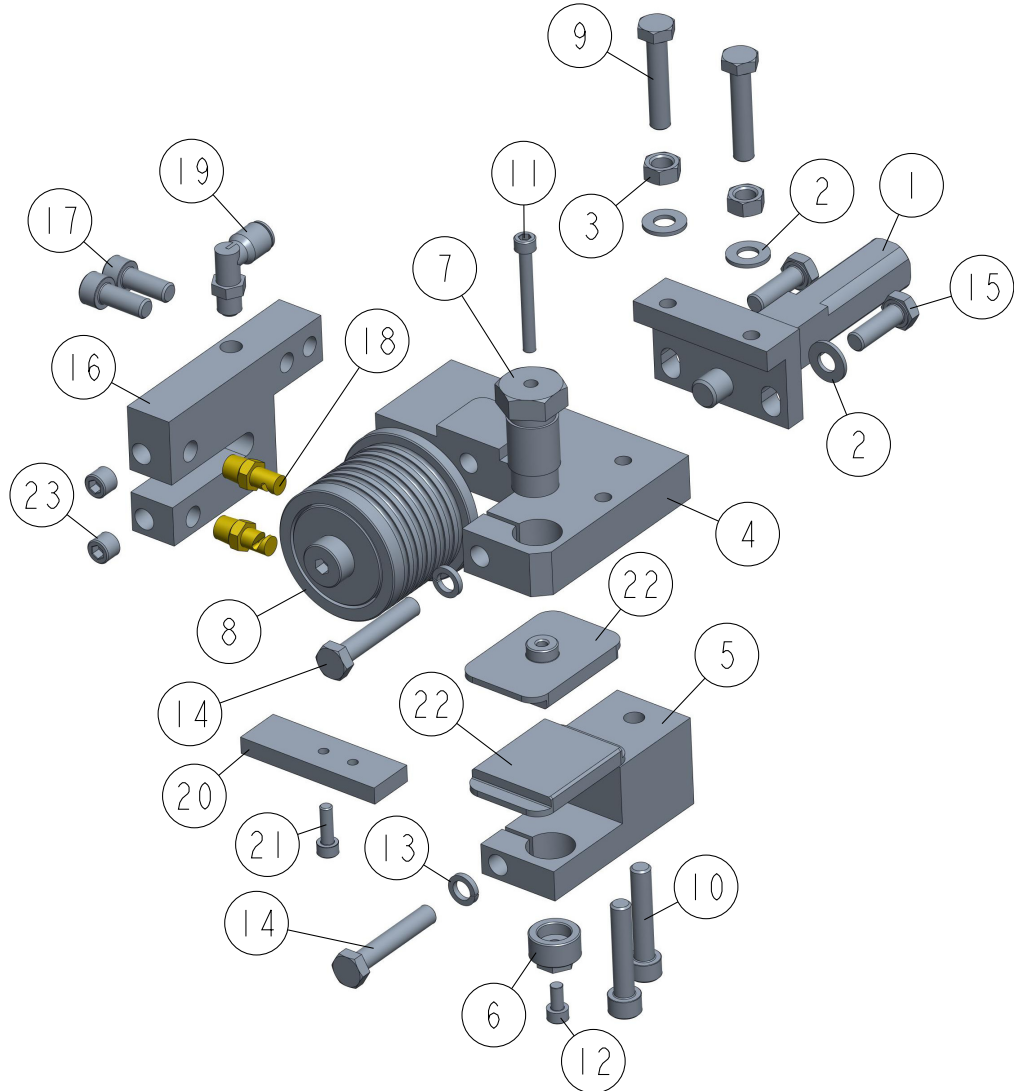
2.5 Blade Guide Mount Assembly, Drive Side



REF	DESCRIPTION (◆ INDICATES PARTS AVAILABLE IN ASSEMBLIES ONLY)	PART #	QTY
	MOUNTING BLOCK, DRIVE SIDE	091338	1
1	MOUNTING BLOCK, DRIVE SIDE BLADE GUIDE (ZINC-PL.)	089503-1	1
2	BOLT, BLADE GUIDE ADJUSTMENT (ZINC-PL.)	506552-1	1
3	BOLT, M8x40 DIN933 A2-70 STAINLESS STEEL	F81002-28	3
4	NUT, M8 DIN 934 A2-70 STAINLESS STEEL	F81032-7	5
5	WASHER, 8.4 FLAT ZINC	F81054-1	7
6	BOLT, M8x25 DIN933 A2-70 STAINLESS STEEL	F81002-26	3
7	SCREW, M8x25 A2-70 DIN 913 STAINLESS STEEL SET	F81014-3	1
8	BAR, BLADE GUIDE MOUNT (ZINC-PL.)	089501-1	1
9	BOLT, M12x40-8.8 HEX HEAD ZINC	F81004-1	2
10	WASHER, Z12.2 SPLIT LOCK ZINC	F81056-2	2

2.6 Blade Guide w/Extended Roller, Idle Side (524855)

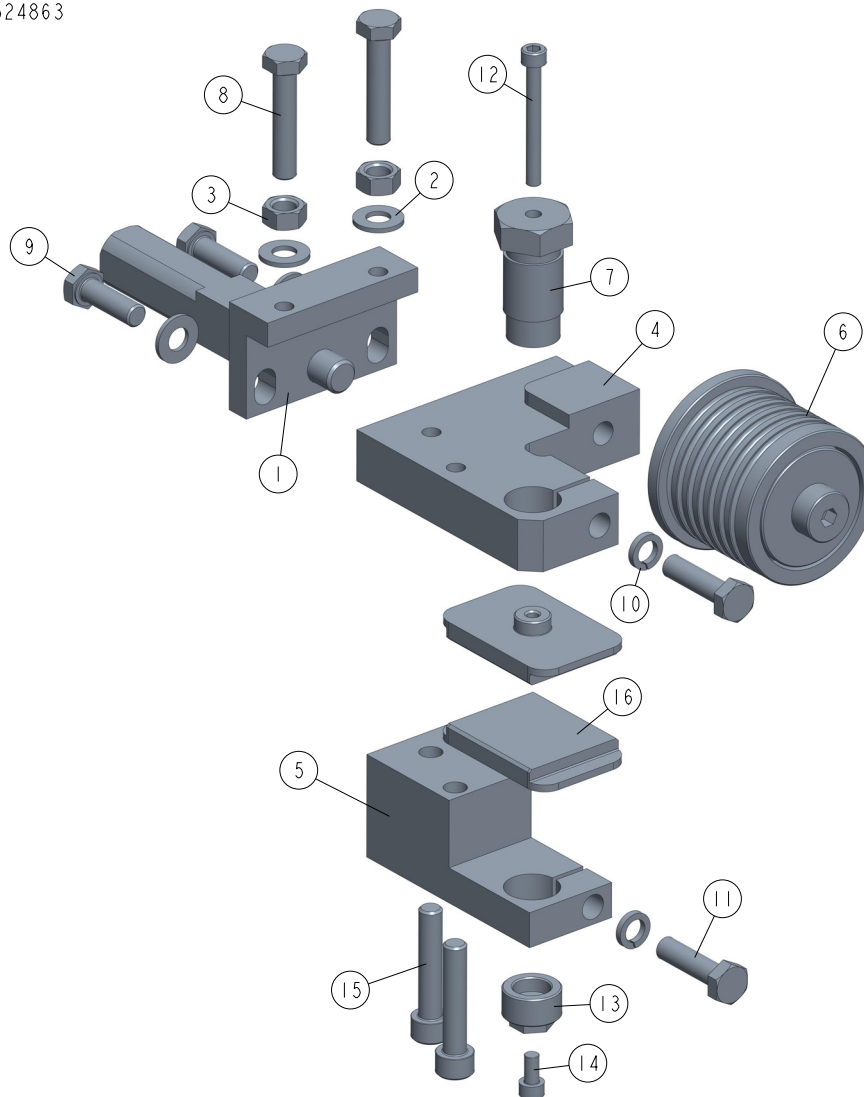
524855_001
524855_MANUAL



REF	DESCRIPTION (◆ indicates parts available in assemblies only)	PART #	QTY
-	BLADE GUIDE W/EXTENDED ROLLER, IDLE SIDE	524855	1
1	BRACKET WELDMENT, BLADE GUIDE ZINC-PLATE	089509-1	1
2	WASHER, 8.4 FLAT ZINC	F81054-1	4
3	NUT, M8 DIN 934 A2-70 STAINLESS STEEL	F81032-7	2
4	PLATE, BLADE GUIDE MOUNT - LEFT	524856-1	1
5	BLOCK, LOWER PAD SUPPORT LEFT	524857-1	1
6	SCREW, LOWER PAD ADJUSTER ZINC-PLATED	516191-1	1
7	BOLT, UPPER PAD ADJUSTMENT ZINC-PLATED	089515-1	1
8	ROLLER, BLADE GUIDE - EXTENDED W/BEARING See Section 2.8	522502	1
9	BOLT, M8X40 DIN933 A2-70 STAINLESS STEEL	F81002-28	2
10	SCREW, M8X40-8.8 HEX SOCKET HEAD CAP ZIN	F81002-29	2
11	SCREW, M5X45 DIN912 A2-70 HEX SOCKET HE	F81000-24	1
12	SCREW, M5X10 DIN912 A2-70 HEX SOCKET HE	F81000-23	1

REF	DESCRIPTION (◆ indicates parts available in assemblies only)	PART #	QTY	
13	WASHER 8,2 SPLIT LOCK ZINC	F81054-4	2	
14	BOLT, M8X45-8.8 HEX HEAD FULL THREAD ZIN	F81002-14	2	
15	BOLT, M8X25 DIN933 A2-70 STAINLESS STEEL	F81002-26	2	
16	BLOCK, NOZZLE HOUSING	524858-1	1	
17	SCREW, M8X20-8.8 HEX SOCKET HEAD CAP ZIN	F81002-30	2	
18	NOZZLE, BLADE LUBE SPRAY	033479	2	
19	ELBOW, 90 DEG 1/8MPT 1/4 TUBE SWIVEL	P09736	1	
-	PLATE, BLADE GUIDE ALIGNMENT - COMPLETE	090951	1	
20	PLATE, BLADE GUIDE ALIGNMENT ZINC-PLATED	090805-1	1	
21	SCREW, M5X16-8.8 HEX SOCKET HEAD CAP ZIN	F81000-25	1	
22	PAD, BLADE GUIDE (W/EXTENDED ROLLER)	524859-1	2	
23	PLUG, M10X1 DIN906 BN40 ZINC	F81015-3	2	

2.7 Blade Guide w/Extended Roller, Drive Side (524863)

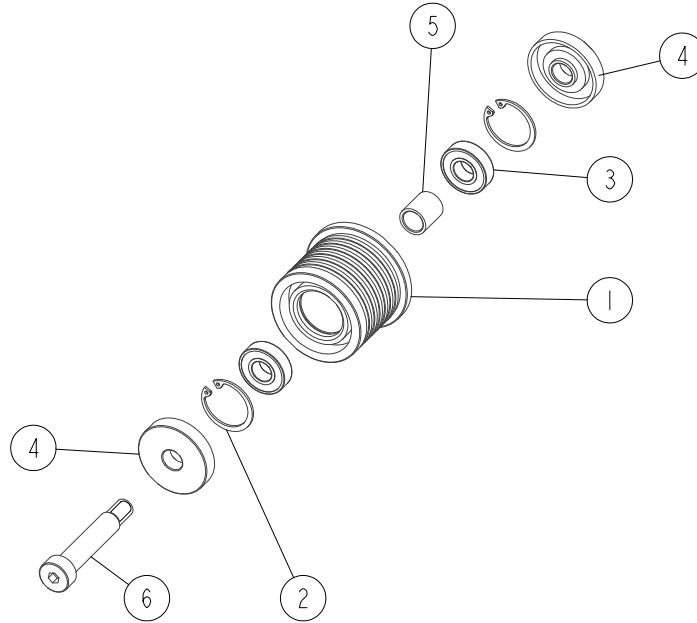
524863_001_A
524863

REF	DESCRIPTION (◆ indicates parts available in assemblies only)	PART #	QTY
-	BLADE GUIDE W/EXTENDED ROLLER, DRIVE SID	524863	1
1	BRACKET WELDMENT, BLADE GUIDE ZINC-PLATE	089509-1	1
2	WASHER, 8.4 FLAT ZINC	F81054-1	4
3	NUT, M8 DIN 934 A2-70 STAINLESS STEEL	F81032-7	2
4	PLATE, BLADE GUIDE MOUNT	524861-1	1
5	BLOCK, LOWER PAD SUPPORT	524862-1	1
6	ROLLER, BLADE GUIDE - EXTENDED W/BEARING See Section 2.8	522502	1
7	BOLT, UPPER PAD ADJUSTMENT ZINC-PLATED	089515-1	1
8	BOLT, M8X40 DIN933 A2-70 STAINLESS STEEL	F81002-28	2
9	BOLT, M8X25 DIN933 A2-70 STAINLESS STEEL	F81002-26	2
10	WASHER 8,2 SPLIT LOCK ZINC	F81054-4	2
11	BOLT, M8X30 DIN933 A2-70 STAINLESS STEEL	F81002-27	2
12	SCREW, M5X45 DIN912 A2-70 HEX SOCKET HE	F81000-24	1
13	SCREW, LOWER PAD ADJUSTER ZINC-PLATED	516191-1	1

REF	DESCRIPTION (◆ indicates parts available in assemblies only)	PART #	QTY	
14	SCREW, M5X10 DIN912 A2-70 HEX SOCKET HE	F81000-23	1	
15	SCREW, M8X40-8.8 HEX SOCKET HEAD CAP ZIN	F81002-29	2	
16	PAD, BLADE GUIDE (W/EXTENDED ROLLER)	524859-1	2	

2.8 Extended Blade Guide Roller w/Bearings - 522502

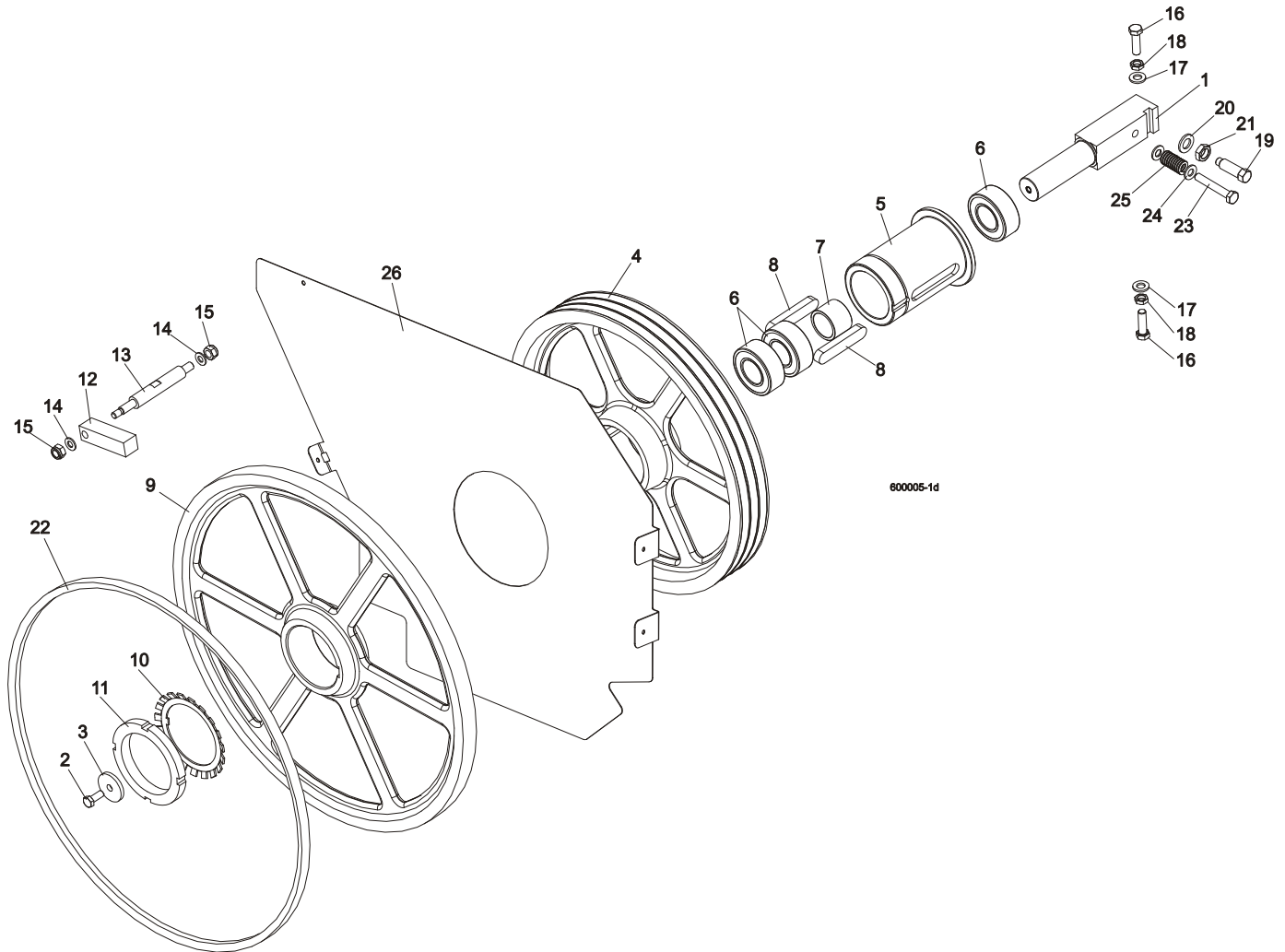
522502_001
522502_MANUAL



REF	DESCRIPTION (◆ indicates parts available in assemblies only)	PART #	QTY
-	ROLLER, BLADE GUIDE - EXTENDED W/BEARINGS	522502	1
1	ROLLER, BLADE GUIDE EXTENDED	522501	1
2	RING, W28 INSIDE RETAINING	F81090-9	2
3	BEARING, 6001 2RSR (FAG, SKF)	087893	2
4	RING, ZINC-PLATED SPACER	087891-1	2
5	BUSHING, 12/16-17	522504-1	1
6	BOLT, 12/M10X50 12.9 ISO7379 SHOULDER	F81003-122	1

SECTION 3 BLADE WHEELS & TENSIONER

3.1 Blade Drive Assembly



REF	DESCRIPTION (◆ indicates parts available in assemblies only)	PART #	QTY
1	SHAFT, BLADE DRIVE WHEEL	088475	1
2	BOLT, M10x25 8.8 HEX HEAD FULL THREAD	F81003-31	1
3	WASHER, BLADE DRIVE WHEEL	088956-1	1
	PULLEY ASSEMBLY, BLADE DRIVE	504808	1
4	Pulley, 3-Groove 484 mm Diameter	089457-1	1
5	Bushing, Blade Drive Wheel	504809	1
6	Bearing, 3208.2rsr.tvh (FAG) Rolling	088449	3
7	Spacer, 51x41x36.3 Drive Bearing	504810	1
8	Key, A20x12x100 Parallel	088477	2
9	WHEEL, BLADE DRIVE	090811	1
10	WASHER, MB21 (FAG) LOCK	088451	1
11	NUT, KM21(M105X2) (FAG) LOCK	088450	1
12	BAR, WHEEL SCRAPER	088781	1
13	SHAFT, WHEEL SCRAPER	088780-1	1

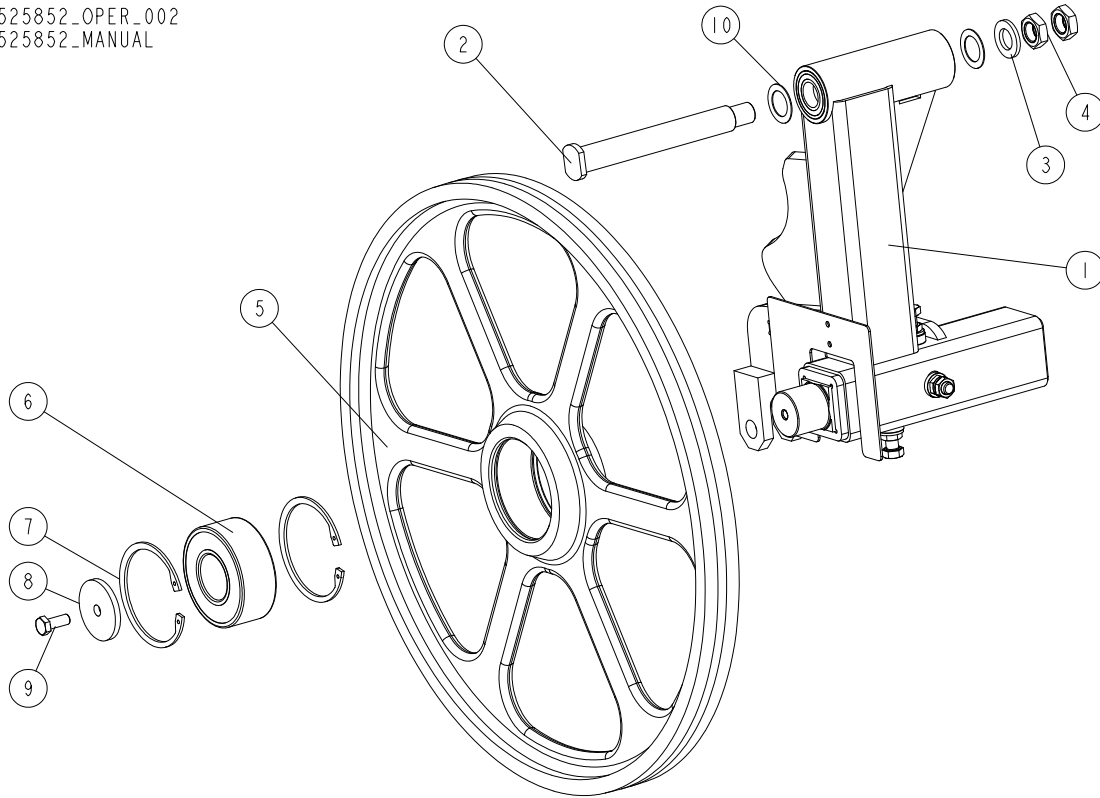
3

Blade Wheels & Tensioner*Blade Drive Assembly*

14	WASHER, 10.5 FLAT ZINC	F81055-1	2	
15	NUT, M12 8 HEX NYLON ZINC LOCK	F81034-2	2	
16	BOLT, M12X1.25X40-8.8 HEX HEAD FULL THRE	F81004-42	3	
17	WASHER, 13 FLAT ZINC	F81056-1	3	
18	NUT, M12X1.25-8 HEX THIN ZINC	F81034-5	3	
19	SCREW, M16X1.5X50-33H HEX HEAD FULL DOG POINT SET ZINC	F81006-14	1	
20	WASHER, 17 SPLIT LOCK ZINC	F81058-1	1	
21	NUT, M16x1.5-08-B ZINC THIN	F81036-6	1	
22	BELT, B72.5 BLADE WHEEL	017922-1	1	
23	BOLT, M10X65-8.8-B HEX HEAD ZINC	F81003-67	1	
24	WASHER, 10.5 FLAT ZINC	F81055-1	2	
25	SPRING, 3/4 O.D.X 1 1/2 DIE	034430	1	
26	PLATE, LT70AC SAW HEAD (OPTION)	100897-1	1	
	BELT, 3B/HB2462 La	089464	1	

3.2 Idle-Side Blade Wheel Assembly

525852_OPER_002
525852_MANUAL



REF	DESCRIPTION (◆ indicates parts available in assemblies only)	PART #	QTY
1	ARM, IDLE SIDE WHEEL ROCKER W/LEVER - COMPLETE See Section 3.5	520539 ¹	1
1	ARM, IDLE SIDE WHEEL ROCKER W/LEVER - COMPLETE See Section 3.5	533944 ²	1
2	PIN WELDMENT, PIVOT	535310	1
3	WASHER, 21 FLAT ZINC	F81059-2	1
4	NUT, M20 ISO 4035 THIN ZINC	F81037-9	2
-	WHEEL, IDLE SIDE - COMPLETE	088764	1
5	WHEEL, IDLE SIDE BLADE	535356-1 ³	1
	WHEEL, IDLE SIDE BLADE	090810 ⁴	1
6	BEARING, 3309B.2RSR.TVH FAG	086428	1
7	RING, W100 INSIDE RETAINING	F81090-10	2
8	WASHER, IDLE BLADE WHEEL RETAINING	088957-1	1
9	BOLT, M10X25 8.8 HEX HEAD FULL THREAD	F81003-31	1
10	WASHER, SPACER ZINC-PLATED	503164-1	2
	BELT, B72.5 BLADE WHEEL	017922-1	1

¹ Wide sawheads - 525853, 523792: rocker 520539, idle wheel 088764 with 017922-1 belt.

Wide sawheads with 2" blade - 525853, 523792: rocker 520539, idle wide wheel 535355 without belt.

² Standard sawheads - 088770, 088771: rocker 533944, idle wheel 088764 with 017922-1 belt.

Standard sawheads with 2" blade - 525850, 525851 : rocker 533944, idle wide wheel 535355 without belt.

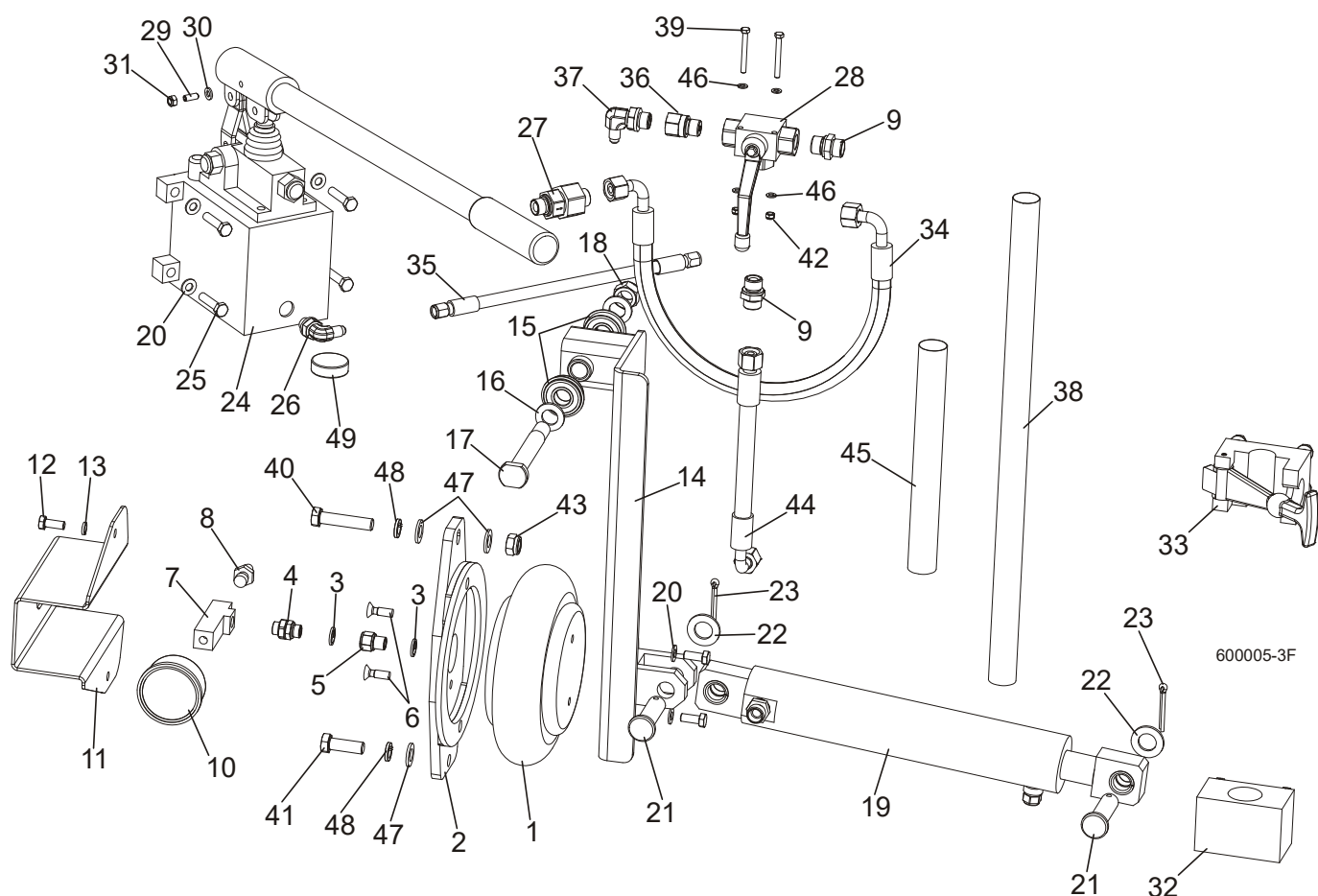
³ Included in 535355.

⁴ Included in 088764.

3 Blade Wheels & Tensioner

Hydraulic Blade Tensioner Assembly

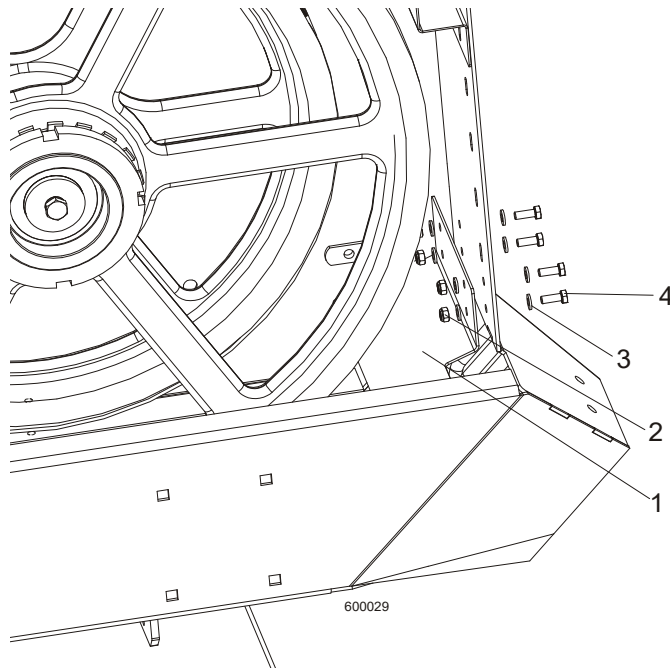
3.3 Hydraulic Blade Tensioner Assembly



REF	DESCRIPTION (◆ indicates parts available in assemblies only)	PART #	QTY
	COMPLETE HYDRAULIC BLADE TENSIONER	504801	1
1	BAG, POJ 192 308 100 0 AIR	088576	1
2	BRACKET, AIR BAG MOUNT	088798-1	1
3	SEAL, G1/4 866-014-000-0	090809	4
4	NIPPLE, 1/4 8632141400)BOSCH	097703	1
5	FITTING, 1/4 THREAD/1/4 THREAD 2521	097704	1
6	BOLT, M8X25 PAN HEAD ZINC	F81002-51	2
7	TEE CONNECTOR, SPECIAL	097702-1	1
8	FITTING, 1/4" THREAD 390 004 004 0 (REXROTH) AIR TANK VALVE	088575	1
9	FITTING, HD-GE-12L-BE-06 STRAIGHT	094561	2
10	GAUGE, M63T-2,5/20G G 1/8 0-0.6 MPA/PSI AIR PRESSURE	088568	1
11	GUARD, AIR PRESSURE GAUGE	088924-1	1
12	BOLT, M8X20 8.8 HEX HEAD FULL THREAD ZIN	F81002-4	4
13	WASHER 8,2 SPLIT LOCK ZINC	F81054-4	2
14	ARM, AIR CYLINDER	092779-1	1
15	BEARING W/SNAP RING 6203-2RS	086395	2
16	WASHER, 17 SPLIT LOCK ZINC	F81058-1	2
17	PIN, IDLER ARM MOUNT	086404	1

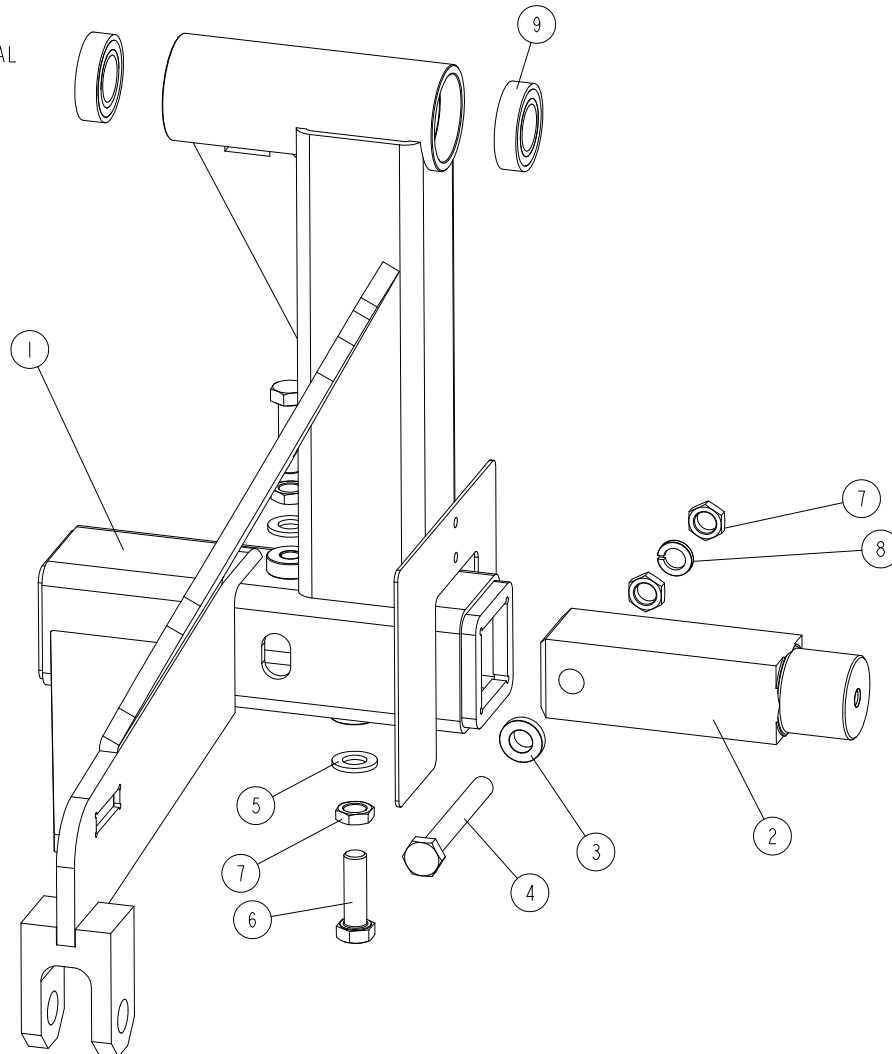
18	NUT, M16-8 HEX NYLON ZINC LOCK	F81036-2	2	
19	CYLINDER, HYDRAULIC - COMPLETE	092788	1	
	CYLINDER, SHDJ050/030X80 HYDRAULIC	092787-1	1	
	BUSHING, TUF1 18x120 CX	500106	4	
	FITTING, HD-GE-12L-BE-06 STRAIGHT	094561	1	
	VALVE, 2901-14-17 AIR VENT	090794	1	
20	WASHER, 8.4 FLAT ZINC	F81054-1	6	
21	PIN, PN-EN 22341-B-18X65X57-A2	F81049-4	2	
22	WASHER, 19 FLAT ZINC	F81060-1	2	
23	PIN, S-FE 5X40 COTTER	F81043-31	2	
24	PUMP, PMS12/TNK1 MANUAL W/TANK 1L	092789	1	
	PROTECTIVE BELLOWS	083829	1	
	HANDLE, PMS12	083728	1	
25	BOLT, M8X35-8.8 HEX HEAD FULL THREAD ZIN	F81002-13	4	
26	ELBOW, CA-204410-3	094562	1	
27	VALVE, RHV12LREDA3C CHECK	094559	1	
28	VALVE, BALL 3-WAY GE5L G3/8"	504803	1	
29	LATCH, GN615.3-M6-KN BALL THREADED	096874	1	
30	WASHER, 6.4 FLAT ZINC	F81053-1	1	
31	NUT, M6-8-B HEX NYLON ZINC LOCK	F81031-2	1	
32	BRACKET, TENSIONER PUMP HANDLE BOTTOM	096951	1	
33	BRACKET, TENSIONER PUMP HANDLE UPPER	092800	1	
34	HOSE, DN10 W/FITTING 10AOL 90 M18X1.5	504804	1	
35	HOSE, 1/4 W/FITTING JIC 7/16-20	504805	1	
36	FITTING, G 3/8 THROTTLE	096849	1	
37	ELBOW, CA-204411-3	094563	1	
38	HOSE PROTECTION	505178	1	
39	BOLT, M5X45 DIN933 A2-70 STAINLESS STEEL	F81000-22	2	
40	BOLT, M12X55-8.8 HEX HEAD ZINC	F81004-12	1	
41	BOLT, M12 X 35-8.8-FE/ZN5 HEX HEAD FULL	F81004-24	1	
42	NUT, M5-8 DIN985 ZINC-PLATED	F81030-2	2	
43	NUT, M12 8 HEX NYLON ZINC LOCK	F81034-2	1	
44	HOSE, DN12 W/FITTINGS PN10AOL90 I PN10AOL M1.5	096964	1	
45	HOSE PROTECTION	098489	1	
46	WASHER, 5.3 FLAT ZINC	F81052-1	4	
47	WASHER, 13 FLAT ZINC	F81056-1	3	
48	WASHER, Z12.2 SPLIT LOCK ZINC	F81056-2	2	
49	MAGNET, MW.38X12/N38 NEODYMIUM	500022	1	

3.4 Sawdust Flow Guide



REF	DESCRIPTION (◆ indicates parts available in assemblies only)	PART #	QTY
1	GUIDE, SAWDUST FLOW PAINTED	090506	1
2	NUT, M6-8-B HEX NYLON ZINC LOCK	F81031-2	4
3	WASHER, 6.4 FLAT ZINC	F81053-1	8
4	BOLT M6X16 HH ZC FT 8.8 DIN 933	F81001-15	4

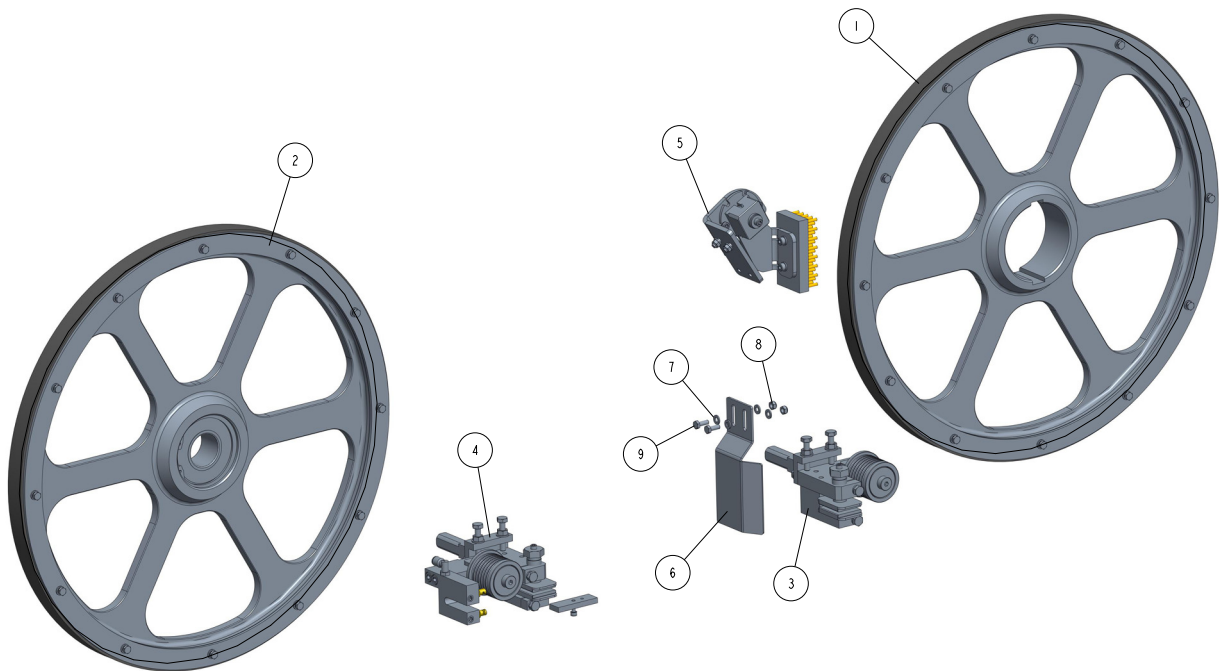
3.5 Idle Side Wheel Arm Rocker W/Lever (520539_533944)

520539_001
520539_MANUAL

REF	DESCRIPTION (◆ indicates parts available in assemblies only)	PART #	QTY	
-	ARM, IDLE SIDE WHEEL ROCKER W/LEVER - COMPLETE	520539	1	
-	ARM, IDLE SIDE WHEEL ROCKER W/LEVER - COMPLETE	533944	1	
1	ARM, IDLE SIDE WHEEL ROCKER W/LEVER	520540-1 ¹	1	
	ARM, IDLE SIDE WHEEL ROCKER W/LEVER	533943-1 ²	1	
2	SHAFT, IDLE SIDE BLADE WHEEL	088474	1	
3	WASHER, ZINC-PLATED SPECIAL	086769-1	2	
4	BOLT, M12X1.25X100-8.8 HEX HEAD FULL THREAD ZINC	F81004-41	1	
5	WASHER, 13 FLAT ZINC	F81056-1	2	
6	BOLT, M12X1.25X40-8.8 HEX HEAD FULL THREAD ZINC	F81004-42	2	
7	NUT, M12X1.25-8 HEX THIN ZINC	F81034-5	4	
8	WASHER, Z12.2 SPLIT LOCK ZINC	F81056-2	1	
9	BEARING, 6005 2RS PN-85/M-86100	089652	2	

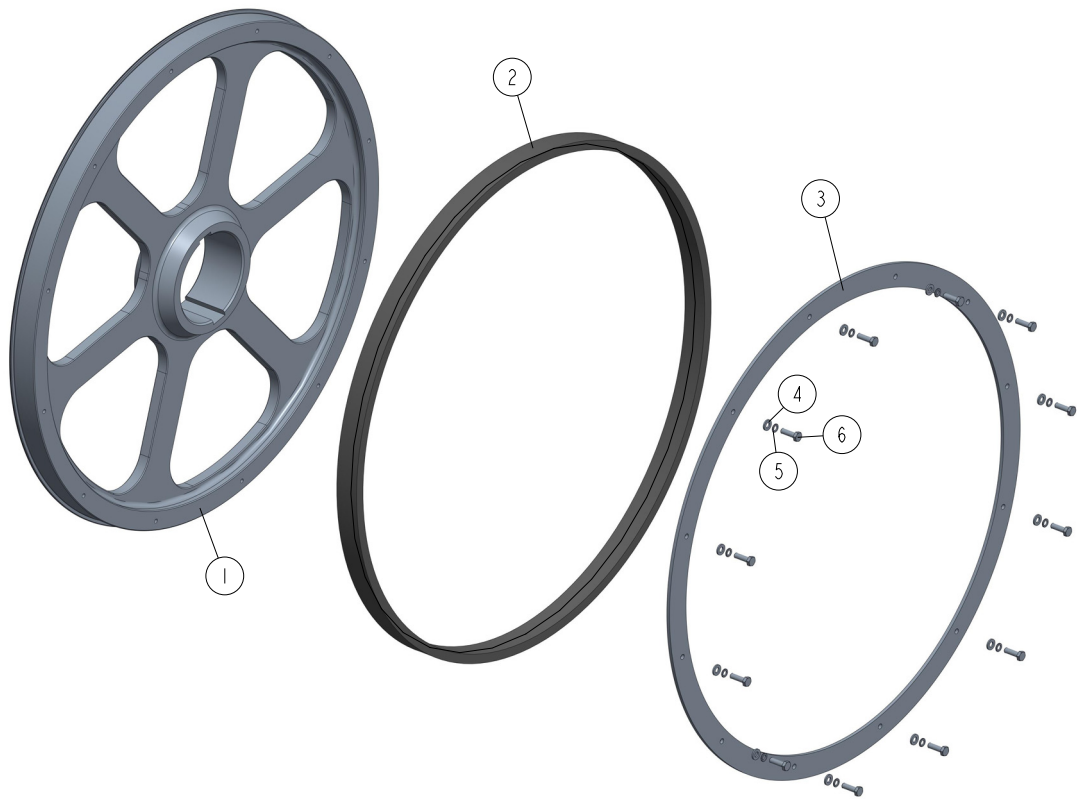
¹ Included in 520539² Included in 533944

3.6 Blade Drive Wheels And Rollers Assembly, 2" Blade (586000)

586000_001_A
586000

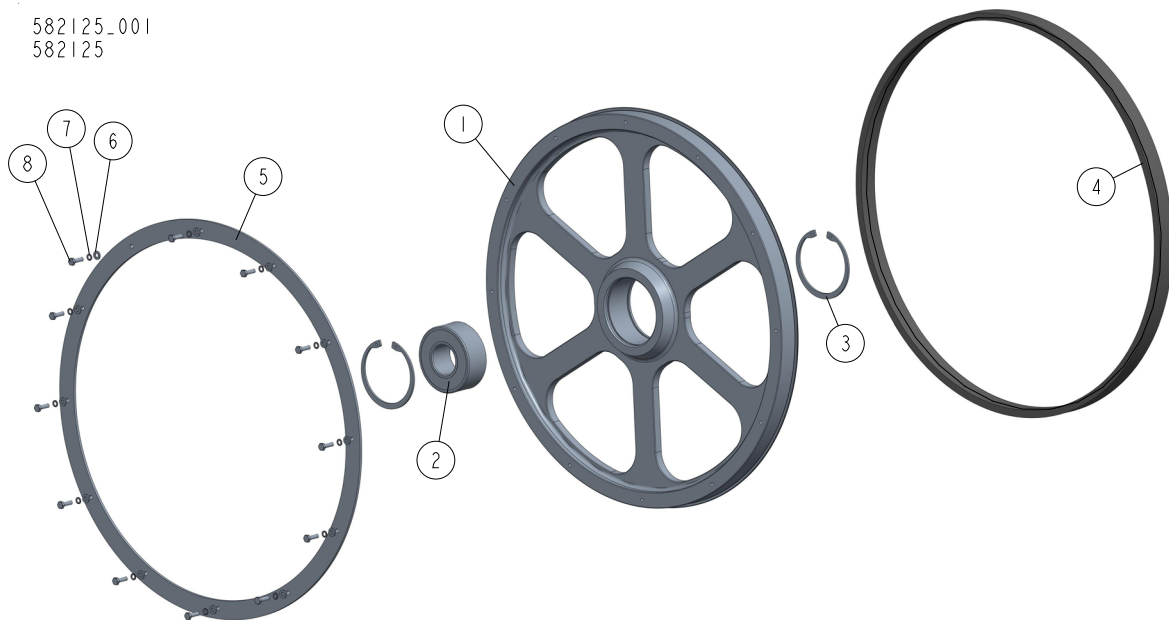
REF	DESCRIPTION (◆ indicates parts available in assemblies only)	PART #	QTY
-	BLADE DRIVE WHEELS AND ROLLERS ASSEMBLY, 2" BLADE	586000	1
1	ASSY., BLADE WHEEL (2" BLADE) See Section 3.7	582126	1
2	BLADE WHEEL, 2" IDLE SIDE - COMPLETE See Section 3.8	582125	1
3	BLADE GUIDE W/EXTENDED ROLLER, DRIVE SID See Section 2.7	524863	1
4	BLADE GUIDE W/EXTENDED ROLLER, IDLE SIDE See Section 2.6	524855	1
5	BLADE WHEEL WIPER & SCRAPER ASSEMBLY See Section 3.9	586150	1
6	GUARD, BLADE GUIDE ROLLER	586134-1	1
7	WASHER, 6.4 FLAT ZINC	F81053-1	4
8	NUT, M6-8-B HEX NYLON ZINC LOCK	F81031-2	2
9	BOLT M6X16 HH ZC FT 8.8 DIN 933	F81001-15	2

3.7 2" Blade Drive Wheel (582126)

582126_001
582126

REF	DESCRIPTION (◆ indicates parts available in assemblies only)	PART #	QTY
-	ASSY., BLADE WHEEL (2" BLADE)	582126	1
1	BLADE WHEEL	578644-1	1
2	V-BELT, 1 1/8" LENGTH 72.5	547257	1
3	FLANGE	582131-1	1
4	WASHER, 6.4 FLAT ZINC	F81053-1	12
5	WASHER, Z 6.1 SPLIT LOCK	F81053-3	12
6	BOLT, M6X20 8.8 HEX HEAD FULL THREAD ZIN	F81001-2	12

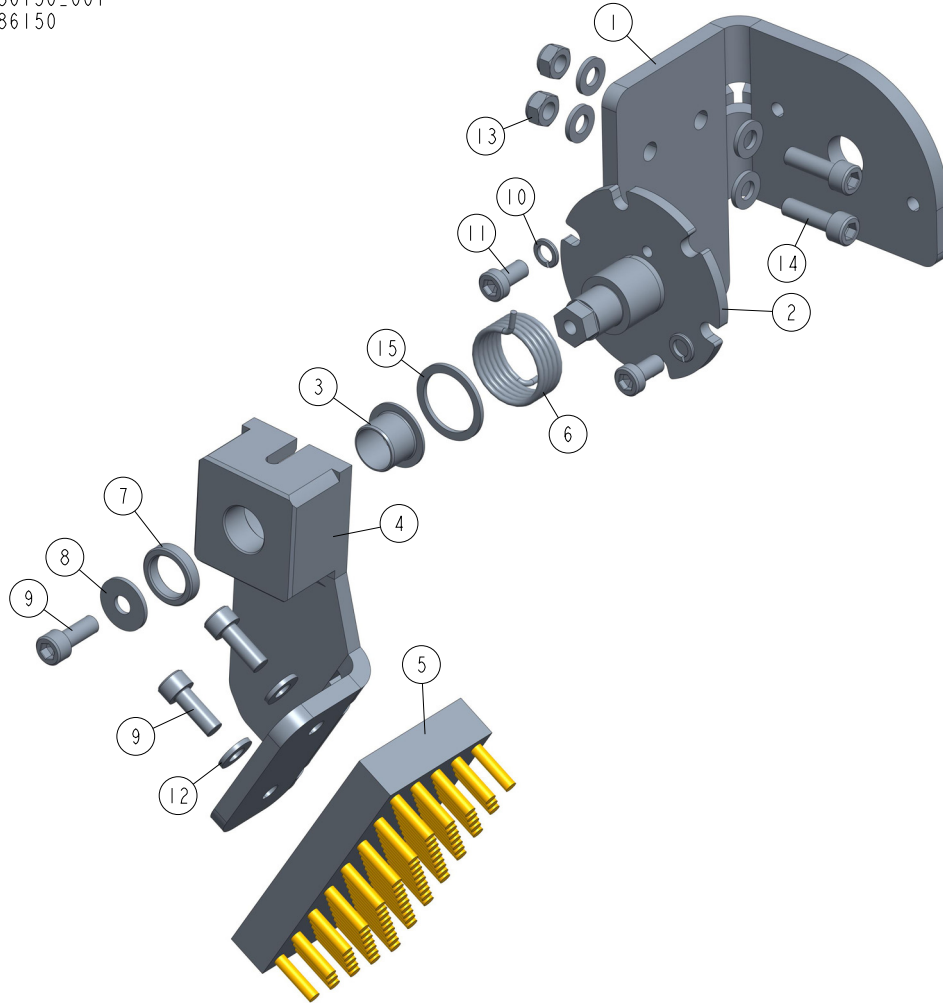
3.8 Idle Side 2" Blade Wheel (582125)

582125-001
582125

REF	DESCRIPTION (◆ indicates parts available in assemblies only)	PART #	QTY
-	BLADE WHEEL, 2" IDLE SIDE - COMPLETE	582125	1
1	BLADE WHEEL, IDLE SIDE	578645-1	1
2	BEARING, 3309B.2RSR.TVH FAG	086428	1
3	RING, W100 INSIDE RETAINING	F81090-10	2
4	V-BELT, 1 1/8" LENGTH 72.5	547257	1
5	FLANGE	582131-1	1
6	WASHER, 6.4 FLAT ZINC	F81053-1	12
7	WASHER, Z 6.1 SPLIT LOCK	F81053-3	12
8	BOLT, M6X20 8.8 HEX HEAD FULL THREAD ZIN	F81001-2	12

3.9 Drive Blade Wheel Wiper & Scraper Assembly (586150)

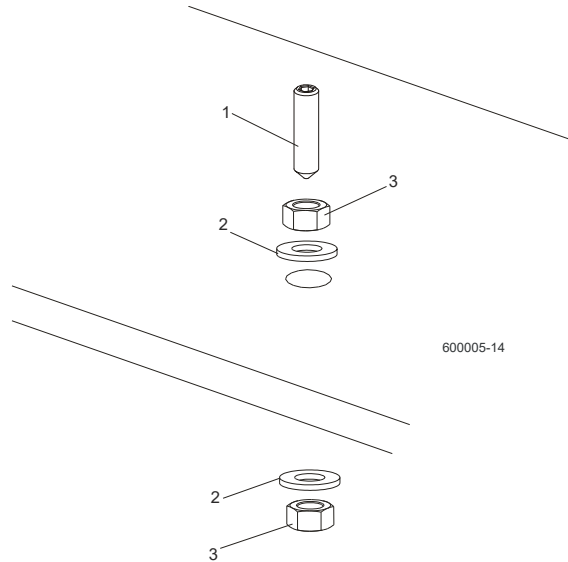
586150_001
586150



REF	DESCRIPTION (◆ indicates parts available in assemblies only)	PART #	QTY
-	BLADE WHEEL WIPER & SCRAPER ASSEMBLY	586150	1
1	BRACKET, BLADE WHEEL WIPER & SCRAPER	586149-1	1
2	SHAFT WELDMENT, SWEEPER	586124-1	1
3	BUSHING, IGUS: JFM_1416_12_1	569013	1
4	BRACKET, BRUSH, LATH	586151-1	1
5	BRUSH, LATH	586126	1
6	SPRING, EXTENSION	586127-1	1
7	BUSHING, SPACER	570020-1	1
8	WASHER, 6.5 SPECIAL FLAT ZINC	F81053-11	1
9	SCREW, M6X16 8.8 HEX SOCKET HEAD CAP ZIN	F81001-21	3
10	WASHER, Z 6.1 SPLIT LOCK	F81053-3	2
11	SCREW, M6X12-10.9 DIN 7984 HEX SOCKET TH	F81001-80	2
12	WASHER, 6.4 FLAT ZINC	F81053-1	6
13	NUT, M6-8-B HEX NYLON ZINC LOCK	F81031-2	2
14	SCREW, M6X20 8.8 HEX SOCKET HEAD CAP ZIN	F81001-22	2
15	WASHER, 20.5X26X1.5 ZINC-PLATED	524526	1

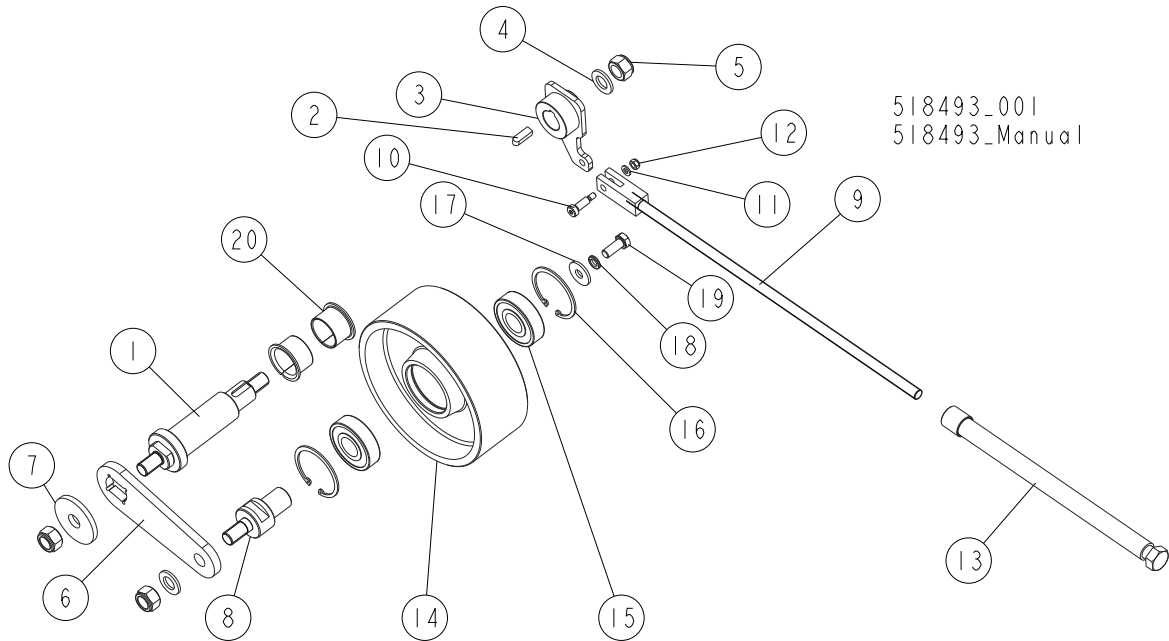
SECTION 4 SAW HEAD

4.1 Middle Throat Screw



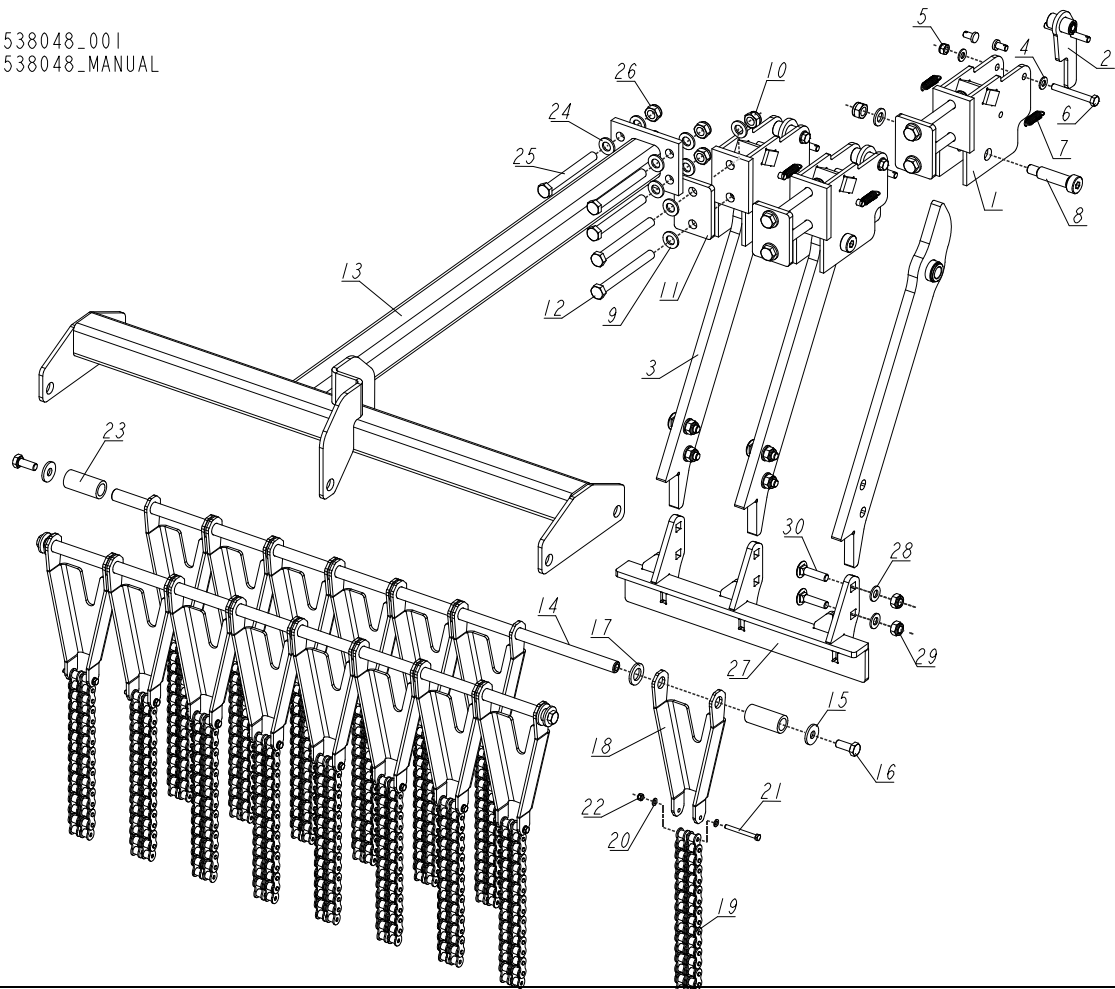
REF	DESCRIPTION (◆ indicates parts available in assemblies only)	PART #	QTY	
1	SCREW, M10X40-45H HEX SOCKET SET CONE POINT ZINC	F81003-61	1	
2	WASHER, 10.5 FLAT ZINC	F81055-1	2	
3	NUT, M10-8-B-HEX ZINC	F81033-3	2	

4.2 Drive Belt Tensioner (AC)



REF	DESCRIPTION (◆ indicates parts available in assemblies only)	PART #	QTY
	TENSIONER, LT70 AC DRIVE BELT - COMPLETE	518493	1
1	SHAFT, BLADE TENSIONER ZINC-PLATED	518495-1	1
2	KEY, AB 8X7X25 PARALLEL	099848	1
3	ARM WELDMENT, BELT TENSIONER	518496-1	1
4	WASHER, 17 SPLIT LOCK ZINC	F81058-1	2
5	NUT, M16-8 HEX NYLON ZINC LOCK	F81036-2	3
6	ARM, TENSION WHEEL ZINC-PLATED	518051-1	1
7	WASHER, 17.5/60-6 ZINC-PLATED	098012-1	1
8	SHAFT, TENSION WHEEL ZINC-PLATED	518052-1	1
9	ROD WELDMENT, THREADED ZINC-PLATED	088789-1	1
10	BOLT, 8/M6X20-12.9 ISO 7379 SHOULDER	F81001-25	1
11	WASHER, 6.4 FLAT ZINC	F81053-1	1
12	NUT, M6-8-B HEX NYLON ZINC LOCK	F81031-2	1
13	TUBE WELDMENT, THREADED ZINC-PLATED	088782-1	1
	WHEEL, LT70AC TENSION - COMPLETE	514842	1
14	WHEEL, BELT TENSION	508762	1
15	BEARING, 6305 2RS NSK.	P08066	2
16	RING, 62W INSIDE RETAINING	F81090-1	2
17	WASHER, 11/30-3 ZINC-PLATED	088787-1	1
18	WASHER, Z 10.2 SPLIT LOCK ZINC	F81055-2	1
19	BOLT, M10X25 8.8 HEX HEAD FULL THREAD ZINC	F81003-11	1
20	BEARING, PCMF 353926E SKF SLIDE	518043	2

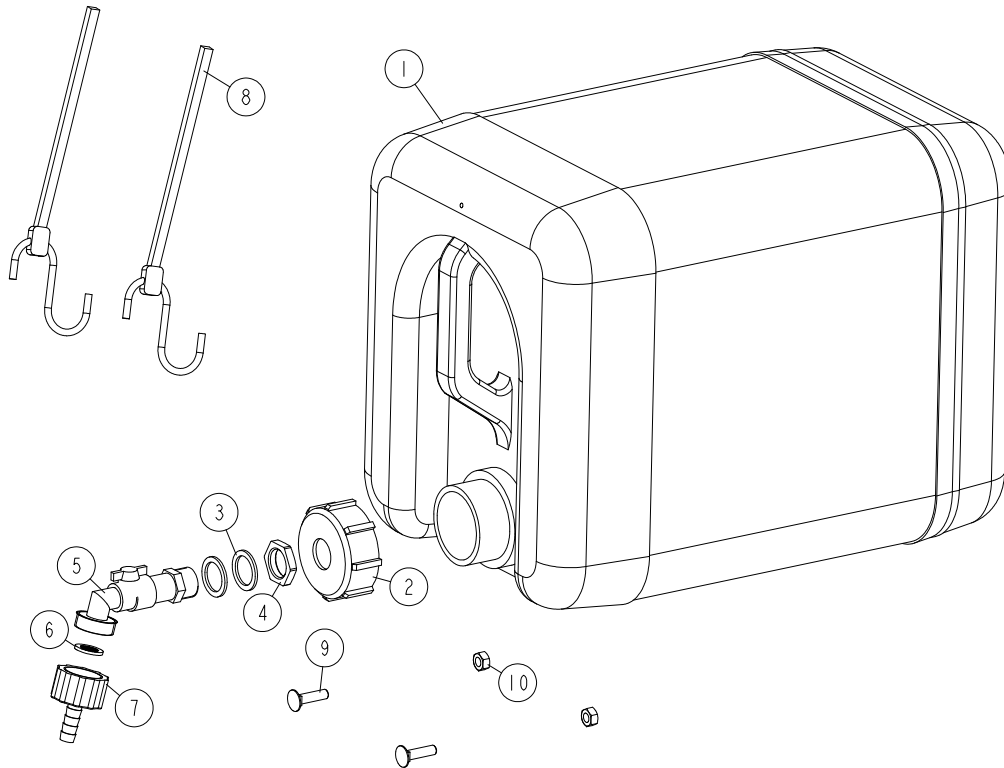
4.3 Board Return Assembly (Optional)

538048_001
538048_MANUAL

REF	DESCRIPTION (◆ indicates parts available in assemblies only)	PART #	QTY
-	BOARD RETURN ASSEMBLY	538048	1
-	ARM, BOARD RETURN - COMPLETE	538049	3
1	MOUNT WELDMENT, BOARD RETURN ARM	090109-1	1
2	LATCH WELDMENT, BOARD RETURN ARM	090118-1	1
3	ARM WELDMENT, BOARD RETURN	538100-1	1
4	WASHER, 8.4 FLAT ZINC	F81054-1	2
5	NUT, M8-8-B HEX NYLON ZINC LOCK	F81032-2	1
6	BOLT, M8X65 5.8 HEX HEAD ZINC	F81002-3	1
7	SPRING, 1.6X12X38 EXTENSION	092208	2
8	BOLT, N16/M12X50 12.9 ISO 7379 "BOSSARD"	F81004-25	1
9	WASHER, 13 FLAT ZINC	F81056-1	5
10	NUT, M12 8 HEX NYLON ZINC LOCK	F81034-2	3
11	WASHER, SPECIAL	092756-1	1
12	BOLT, M12X120-8.8 HEX HEAD ZINC	F81004-38	2
-	GUIDE, BOARD RETURN	538033	1
13	GUIDE WELDMENT, BOARD RETURN	538034-1	1
14	ROD, BOARD RETURN GUIDE	539459-1	2
15	WASHER, 10.5 SPECIAL FLAT ZINC	F81055-6	4
16	BOLT, M10X25 8.8 HEX HEAD FULL THREAD	F81003-31	4

REF	DESCRIPTION (◆ indicates parts available in assemblies only)	PART #	QTY	
17	WASHER, 17 SPLIT LOCK ZINC	F81058-1	15	
-	CHAIN ASSEMBLY	538032	15	
18	BRACKET, CHAIN	538031-1	1	
19	CHAIN, 10B-2 15-LINK	538014	1	
20	WASHER, 5.3 FLAT ZINC	F81052-1	2	
21	BOLT, M5X50-8.8 HEX HEAD ZINC	F81000-1	1	
22	NUT, M5-8 DIN985 ZINC-PLATED	F81030-2	1	
23	BUSHING, 17/25-53	538043-1	2	
24	WASHER, 13 FLAT ZINC	F81056-1	8	
25	BOLT, M12X110-8.8-B HEX HEAD ZINC	F81004-47	4	
26	NUT, M12 8 HEX NYLON ZINC LOCK	F81034-2	4	
-	ANGLE, BOARD PUSH-OFF - COMPLETE	538052	1	
27	ANGLE, BOARD PUSH-OFF	538046-1	1	
28	WASHER, 10.5 FLAT ZINC	F81055-1	6	
29	NUT, M10-8-B HEX NYLON ZINC LOCK	F81033-1	6	
30	BOLT, M10X40-8.8 CARRIAGE ZINC	F81003-40	6	

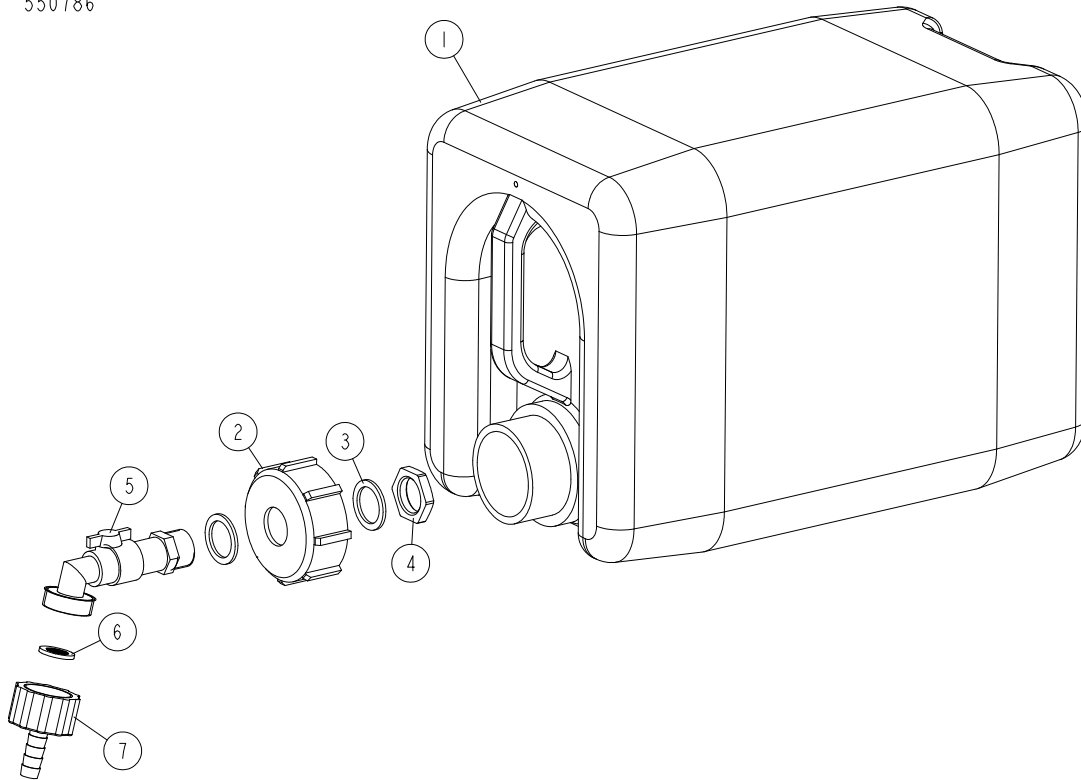
4.4 Water Lube Assembly

550787_001_MANUAL
550787_MANUAL

REF	DESCRIPTION (◆ indicates parts available in assemblies only)	PART #	QTY	
-	TANK, OIL	550787	1	
1	BOTTLE, WATER	513866	1	
2	NUT, BOTTLE	550785	1	
3	SEAL, 27X20X1.5 ESSENTA 467673 RUBBER	550780	2	
4	NUT, 1/2 ESSENTA 467615 GLAND	550779	1	
5	FITTING, WATER LUBE SHUTOFF VALVE	550776	1	
6	FILTER, WATER LUBE	550778	1	
7	FITTING, G3/4" X 10MM HOSE BARB	550777	1	
8	STRAP, 20" RUBBER W/HOOK	P11668	2	
9	BOLT, 1/4-20 X 1" CARRIAGE HEAD	F05005-34	2	
10	NUT, 1/4-20 LOCK	F05010-21	2	

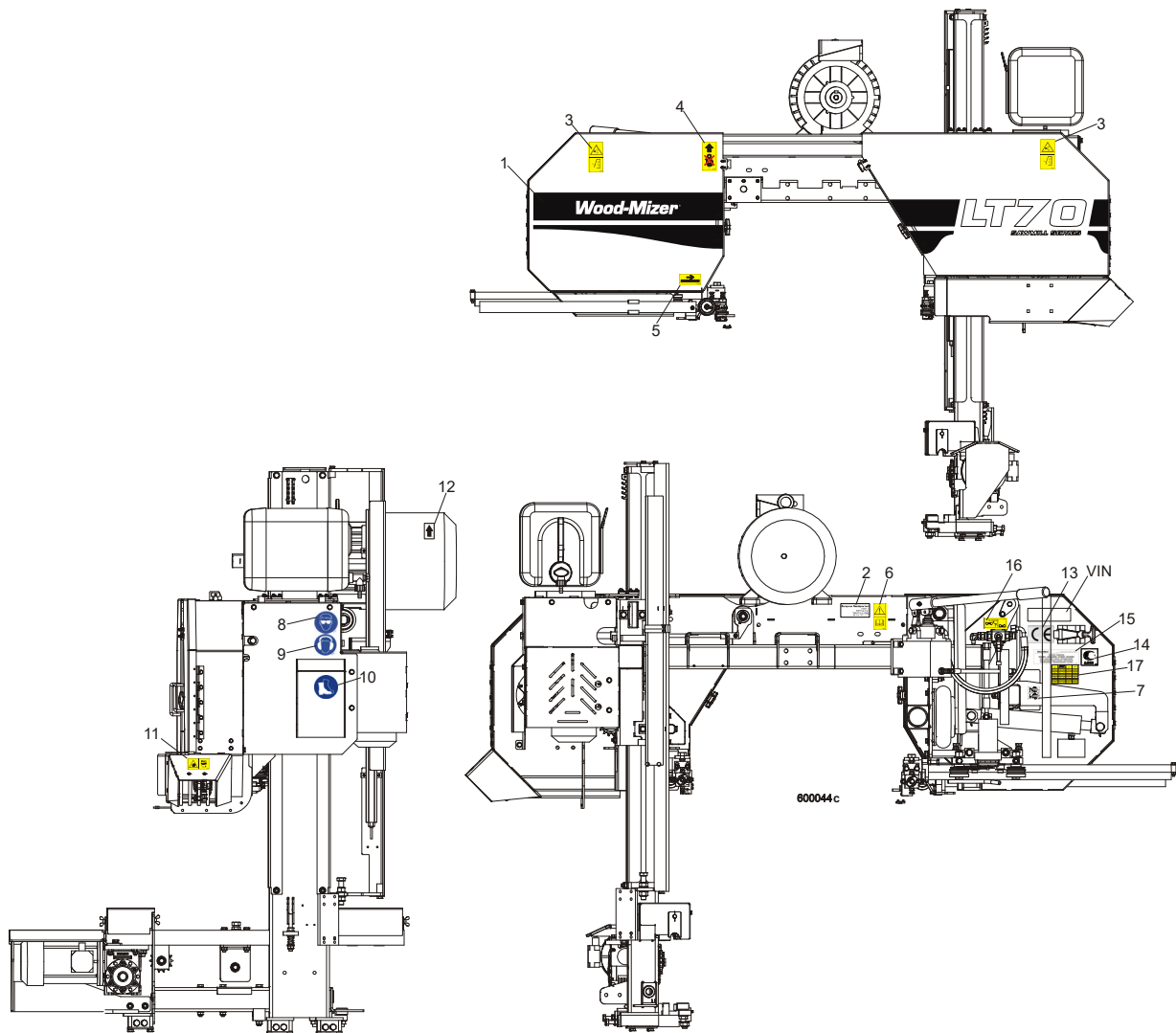
4.5 Oil Tank

550786_001
550786



REF	DESCRIPTION (◆ indicates parts available in assemblies only)	PART #	QTY
-	TANK, OIL	550786	1
1	TANK, 10L OIL	711400	1
2	NUT, BOTTLE	550785	1
3	SEAL, 27X20X1.5 ESSENTRA 467673 RUBBER	550780	2
4	NUT, 1/2 ESSENTRA 467615 GLAND	550779	1
5	FITTING, WATER LUBE SHUTOFF VALVE	550776	1
6	FILTER, WATER LUBE	550778	1
7	FITTING, G3/4" X 10MM HOSE BARB	550777	1

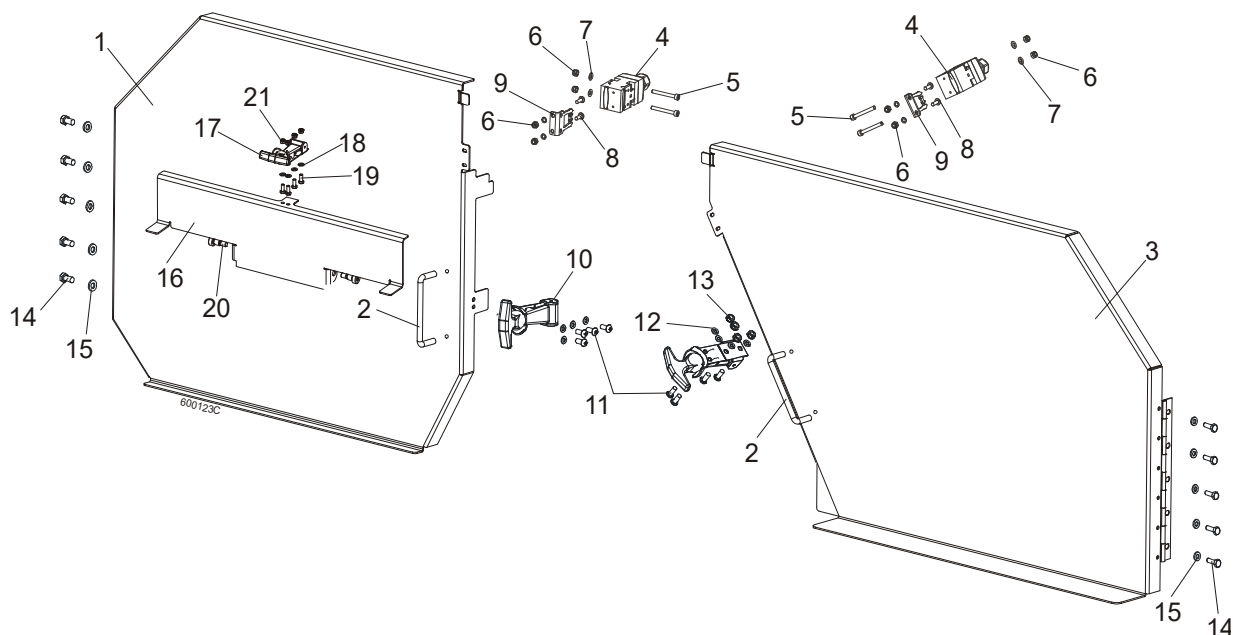
4.6 LT70AC Saw Head Decals



REF	DESCRIPTION (◆ indicates parts available in assemblies only)	PART #	QTY
1	DECAL, LT70 SERIES SAWMILL	092764	1
	PICTOGRAPHIC DECAL KIT, LT70AC	099518	1
2	DECAL, EUROPEAN HEADQUARTERS ADDRESS	015841	1
3	DECAL, SAWMILL COVERS CAUTION (PICTOGRAM)	099220	2
4	DECAL, PICTOGRAM (BLACK ARROW & HOOK)	085977B	1
5	DECAL, BLADE MOVEMENT DIRECTION (PICTOGRAM)	096321	1
6	DECAL, READ OPERATOR'S MANUAL (PICTOGRAM)	096317	1
7	DECAL, BLADE ALIGNMENT (PICTOGRAM)	P11789-70	1
8	DECAL, EYE PROTECTION WARNING (PICTOGRAM)	S12004G	1
9	DECAL, EAR PROTECTION WARNING (PICTOGRAM)	S12005G	1
10	DECAL, USE SAFETY BOOTS (PICTOGRAM)	501465	1
11	DECAL, SAWDUST CHUTE WARNING (PICTOGRAM)	099222	1
12	DECAL, MOTOR ROTATION DIRECTION	S20097	1
13	DECAL, CE CERTIFIED SAWMILL	P85070	2
14	DECAL, RUSSIAN SAFETY CERTIFICATION	099401	1

15	DECAL, INTERNATIONAL SAWMILL NAME	501466	1	
16	DECAL, LEVER OF TENSIONER'S BALL VALVE	505189	1	
17	DECAL, BLADE TENSION VALUES	518439	1	
	DECAL, HIGH VOLTAGE INSIDE THE ELECTRIC BOX (PICTOGRAM)	096316	2	
	DECAL, REMOVE THE PLUG BEFORE OPENING THE BOX (PICTOGRAM)	096319	2	
	DECAL, STAY A SAFE DISTANCE FROM THE BLADE (FOR DEBARKERS)	098176	1	
	DECAL, BLADE SETTING	P85066-70	1	
	DECAL, KEEP AWAY DANGER, PICTOGRAM	099221	1	
	DECAL, MAX. OIL PRESSURE, PICTOGRAM	099524	1	

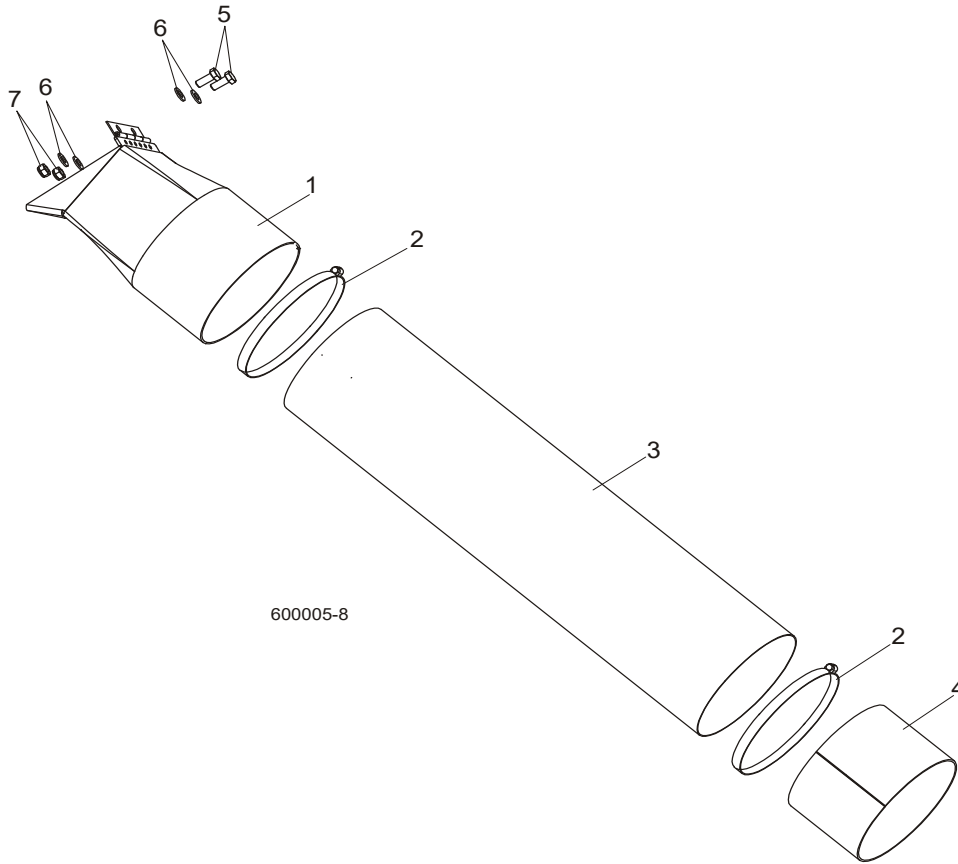
4.7 Blade Housing Covers



REF	DESCRIPTION (◆ indicates parts available in assemblies only)	PART #	QTY
	COVER ASSEMBLY, IDLE SIDE BLADE HOUSING	088920	1
1	Cover Assembly, Idle Side Blade Housing	088915-1	1
2	Handle, Blade Housing Cover	P08065	1
	COVER ASSEMBLY, DRIVE SIDE BLADE HOUSING	088921	1
3	Cover Assembly, Drive Side Blade Housing	088917-1	1
2	Handle, Blade Housing Cover	P08065	1
4	SWITCH, AZ17-11ZRK SAFETY 1	094232	2
5	SCREW, M4X35 8.8 HEX SOCKET HEAD CAP ZIN	F81011-34	4
6	NUT, M3-6-HEX NYLON ZINC LOCK	F81028-2	8
7	WASHER, 4.3 FLAT ZINC	F81051-2	8
8	SCREW, M4X12 5.8-B SLOTTED COUNTERSUNK H	F81011-41	4
9	KEY, AZ17/170-B5 SAFETY SWITCH 2	094422	4
10	LATCH, FLEXIBLE DRAW	014829	2
11	BOLT, M5X12 8.8 HEX HEAD FULL THREAD ZIN	F81000-5	8
12	WASHER, 5.3 FLAT ZINC	F81052-1	8
13	NUT, M5-8 DIN985 ZINC-PLATED	F81030-2	8
14	BOLT M6X16 HH ZC FT 8.8 DIN 933	F81001-15	10
15	WASHER, 6.4 FLAT ZINC	F81053-1	10
	COVER, LT70 BLADE UPPER - COMPLETE	511536 ¹	1
	COVER, LT70 BLADE UPPER - COMPLETE	523795 ²	1
16	PLATE, LT70 UPPER COVER	511802-1 ³	1
	PLATE, LT70 UPPER COVER	524277-1 ⁴	1
17	LATCH, FLEXIBLE DRAW	014829	1
18	WASHER, 5.3 FLAT ZINC	F81052-1	2
19	BOLT, M5X12 8.8 HEX HEAD FULL THREAD ZIN	F81000-5	4
20	BOLT, 10/M8X12-12.9 BOSSARD SHOULDER	F81003-62	2
21	NUT, M5-8 DIN985 ZINC-PLATED	F81030-2	2

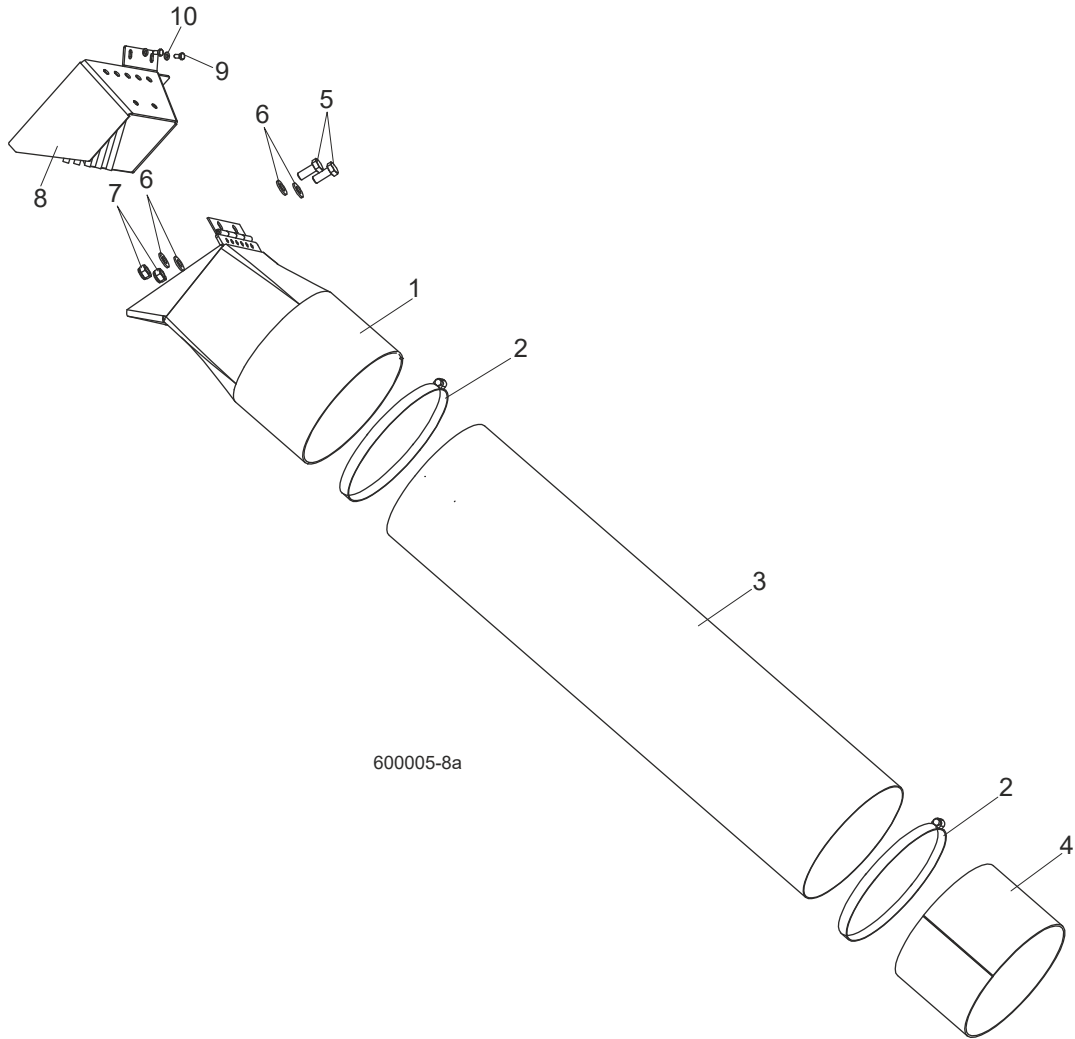
-
- ¹ Belongs to 088771 and 88770
 - ² Belongs to 525852, 525853, 525854, 523792
 - ³ Belongs to 511536
 - ⁴ Belongs to 523795

4.8 Sawdust Chute



REF	DESCRIPTION (◆ indicates parts available in assemblies only)	PART #	QTY
1	CHUTE WELDMENT, SAWDUST	089352-1	1
2	CLAMP, 152 MM	089358	2
3	TUBE, SAWDUST CHUTE	090153	1
4	TUBE, CHUTE END	090126-1	1
5	BOLT, M8X20 8.8 HEX HEAD FULL THREAD ZIN	F81002-4	2
6	WASHER, 8.4 FLAT ZINC	F81054-1	4
7	NUT, M8-8-B HEX NYLON ZINC LOCK	F81032-2	2

4.9 Sawdust Chute (LT70 Wide only)



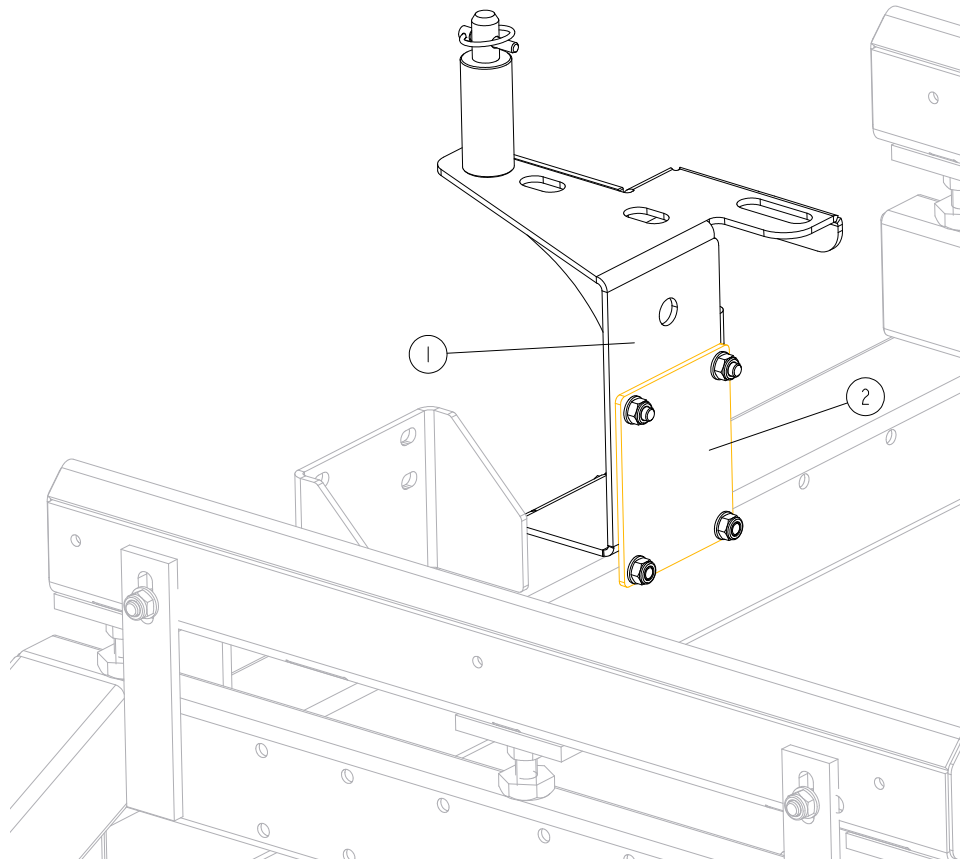
REF	DESCRIPTION (◆ indicates parts available in assemblies only)	PART #	QTY	
1	CHUTE WELDMENT, SAWDUST	089352-1	1	
2	CLAMP, 152 MM	089358	2	
3	TUBE, SAWDUST CHUTE	089357	1	
4	TUBE, CHUTE END	090126-1	1	
5	BOLT, M8X20 8.8 HEX HEAD FULL THREAD ZIN	F81002-4	2	
6	WASHER, 8.4 FLAT ZINC	F81054-1	4	
7	NUT, M8-8-B HEX NYLON ZINC LOCK	F81032-2	2	
8	OUTLET SAWDUST (WIDE HEAD ONLY)	530184-1	1	
9	BOLT, M6X12-8.8 HEX HEAD FULL THREAD ZIN	F81001-7	2	
10	WASHER, 6.4 FLAT ZINC (WIDE HEAD ONLY)	F81053-1	2	

4 SAW HEAD

Saw Head Rest Bracket & Plate Mount

4.10 Saw Head Rest Bracket & Plate Mount

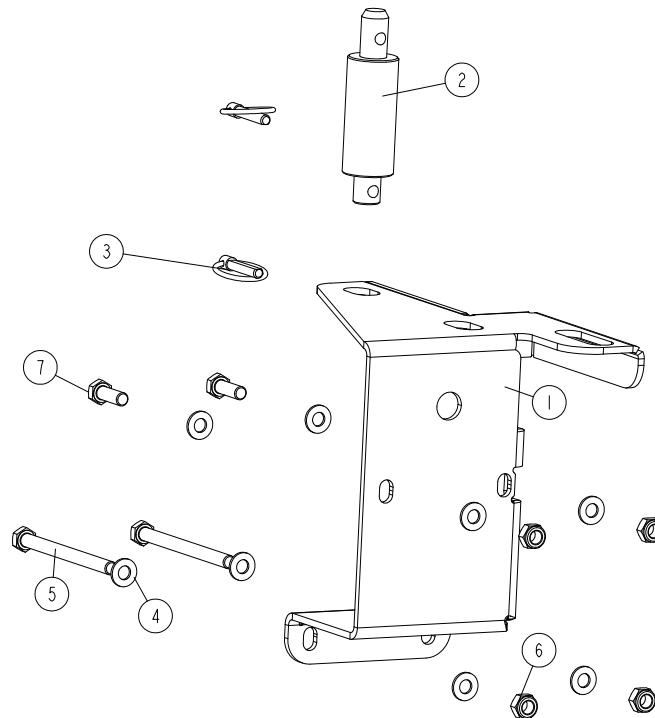
LT70ME20SAH3-WSWR_001
 LT70ME20SAH3-WSWR_MANUAL



REF	DESCRIPTION (◆ indicates parts available in assemblies only)	PART #	QTY
1	BRACKET, LT SAWMILL SAW HEAD REST See Section 4.11	550058	1
2	PLATE, MOUNT	087055-1	1

4.11 LT Sawmill Saw Head Rest Bracket

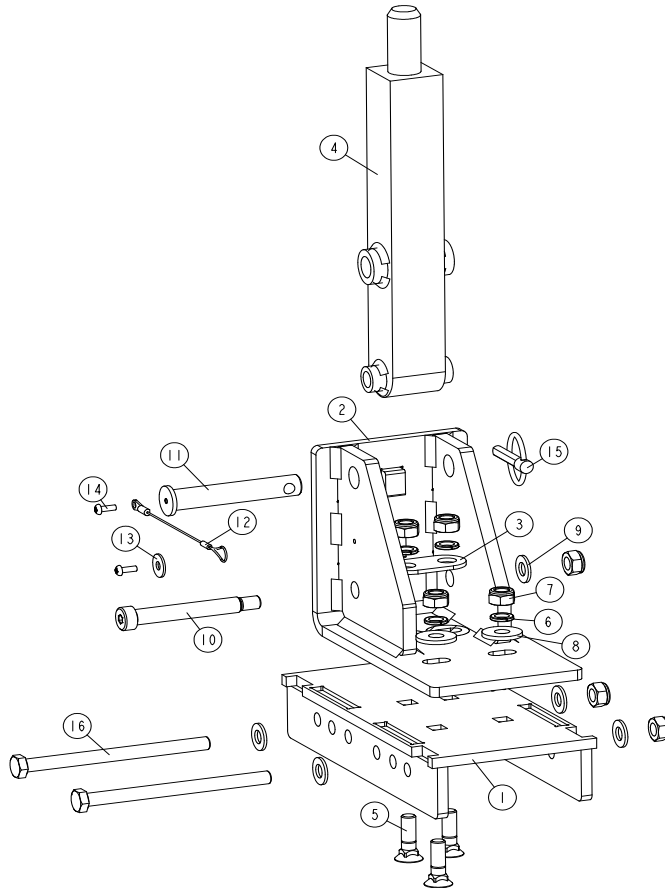
546306_001
546306_MANUAL



REF	DESCRIPTION (◆ indicates parts available in assemblies only)	PART #	QTY
-	BRACKET, LT SAWMILL SAW HEAD REST	550058	1
1	PLATE, SAW HEAD REST BRACKET	546307-1	1
2	PIN, LT20 SAW HEAD REST	550057-1	1
3	PIN, 8 BN914 LINCH (BOSSARD 1364650)	F81046-2	2
4	WASHER, 10.5 FLAT ZINC	F81055-1	8
5	BOLT, M10X125 8.8 HEX HEAD ZINC	F81003-18	2
6	NUT, M10-8-B HEX NYLON ZINC LOCK	F81033-1	4
7	BOLT, M10X30-8.8 HEX HEAD FULL THREAD ZINC	F81003-2	2

4.12 Saw Head Support Bracket (only portable sawmills with the new type of "M" frame)

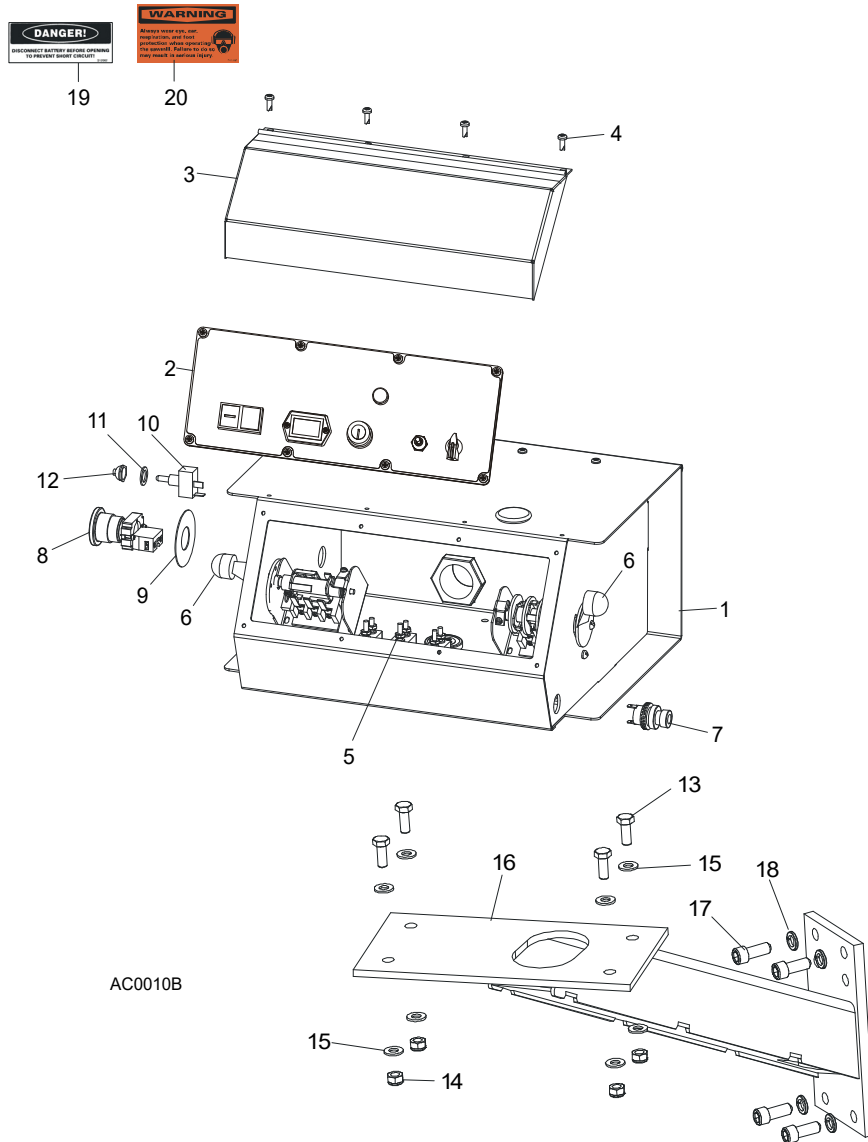
547311_001_A
547311_MANUAL



REF	DESCRIPTION (◆ indicates parts available in assemblies only)	PART #	QTY
-	BRACKET, LT70 SAW HEAD SUPPORT - "M" FRA	547311	1
1	PLATE, SAW HEAD SUPPORT BRACKET	555485-1	1
2	MOUNT WELDMENT, SAW HEAD REST PIN	547312-1	1
3	WASHER	547416	1
4	PIN WELDMENT, SAW HEAD REST	540600-1	1
5	BOLT, M10X35-10.9-FE/ZN5 DIN 608 ; PN 82	F81003-164	4
6	WASHER, Z 10.2 SPLIT LOCK ZINC	F81055-2	4
7	NUT, M10-8-B HEX NYLON ZINC LOCK	F81033-1	7
8	WASHER, 10.5 SPECIAL FLAT ZINC	F81055-6	2
9	WASHER, 10.5 FLAT ZINC	F81055-1	5
10	BOLT, 12/M10X80 12.9 ISO7379 SHOULDER	F81003-78	1
11	PIN, 16X100 23X3	540593-1	1
12	LANYARD, 3/64X6	016030	1
13	WASHER, 6.5 SPECIAL FLAT ZINC	F81053-11	1
14	SCREW, M4X12 5,8-B CROSS RECESSED PAN HE	F81011-43	2
15	PIN, 8 BN914 LINCH (BOSSARD 1364650)	F81046-2	1
16	BOLT, M10X140-10.9 HEX HEAD ZINC	F81003-180	2

SECTION 5 CONTROL BOXES

5.1 Control Assembly, LT70 AH

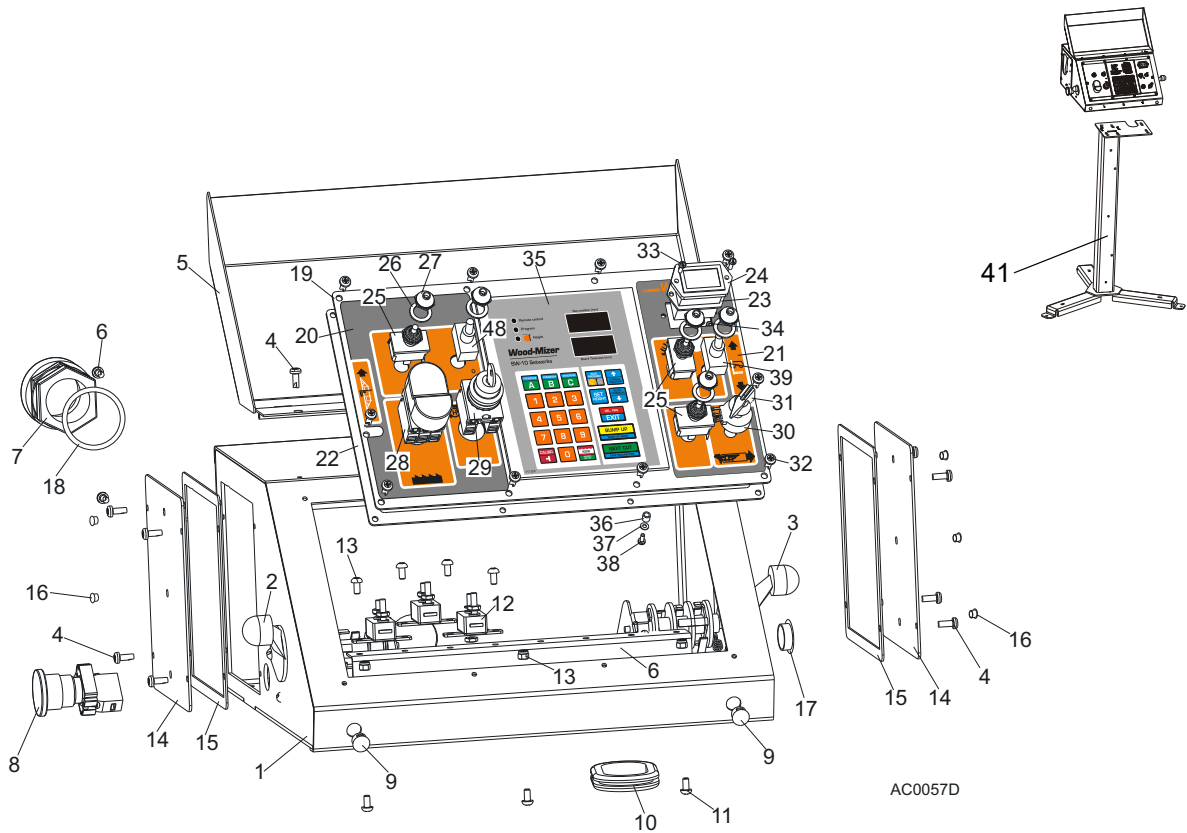


REF	DESCRIPTION (◆ indicates parts available in assemblies only)	PART #	QTY	
	CONTROL BOX ASSEMBLY, AC SUPER (EA20, EA25)	093022	1	
1	HOUSING, AC SUPER CONTROL BOX ASSEMBLY (EA20, EA25)	086546-1	1	◆
2	Front Control Panel & Wiring Harnesses (Section 5.7)			
3	Cover, Control Box Hinged	015304	1	
4	BOLT, #10-24X1/2 PH	F05015-17	12	
5	Circuit Breakers (Section 5.3)			
6	Drum Switches (Section 5.2)			
7	Switch, Horn	E85118	1	
8	BUTTON, XB4 BS542 EMERGENCY STOP	086556	1	
9	WASHER, ZBY9330 EMERGENCY STOP BUTTON	086561	1	
10	PLUG, 12.7 HEYMAN DP-812 HOLE	086773	1	

CONTROL BOXES*Control Assembly, LT70 AH*

11	WASHER, 1/2X3/4X1/16 NYLON	P05251-1	1	
12	BOOT, TOGGLE SWITCH	P02575	1	
13	BOLT, M8X20 8.8 HEX HEAD FULL THREAD ZIN	F81002-4	4	
14	NUT, M8-8-B HEX NYLON ZINC LOCK	F81032-2	4	
15	WASHER, 8.4 FLAT ZINC	F81054-1	8	
16	MOUNT WELDMENT, STANDARD CONTROL BOX	086732-1	1	
17	BOLT, 3/8-16 X 1" SOCKET HEAD	F05007-52	4	
18	WASHER, Z 10.2 SPLIT LOCK ZINC	F81055-2	4	
19	DECAL, FRONT OUTRIGGER WARNING	015400-4	1	
20	DECAL, EAR/EYE PROTECTION WARNING	S11753-4	1	

5.2 Control Assembly, LT70-RSW



REF	DESCRIPTION (◆ indicates parts available in assemblies only)	PART #	QTY
	CONTROL BOX ASSEMBLY, LT40 AC	098690	1
	CONTROL BOX ASSEMBLY, LT40 AC-RC	509115	1
	CONTROL BOX ASSEMBLY, LT70AC-SW	521906	1
1	Control Box, LT40AC	099622-1	1
2	SWITCH ASSEMBLY, POWER FEED DRUM	E20438	1
3	Switch, 1992 Up/Down (Service Package)	E20440	1
4	Bolt, #10-24x1/2 Ph Pan Hd, Type 23	F05015-17	12
5	Cover Weldment, LT20/40 Complete	097135-1	1
6	Rail, Circuit Breaker	015310	1
7	Connector, 1 1/4 Straight Metal Conduit	024402	1
8	BUTTON, XB4 BS542 EMERGENCY STOP	086556	1
9	PLUG, 12.7 HEYMAN DP-812 HOLE	086773	2
10	Grommet, Rubber	087065	1
11	Screw, H M5x10 8.8 Zinc	F81000-13	7
12	BREAKER, 15 AMP MANUAL RESET	E20430	3
13	NUT, M5-8 DIN985 ZINC-PLATED	F81030-2	3
	Cover, Control Box Side Complete	086700	2
14	Cover, Control Box Side	086699-1	1
15	GASKET, SIDE PANEL	015274	1
16	Cap, SR1086 6.4 Dia. Hole	099700	6

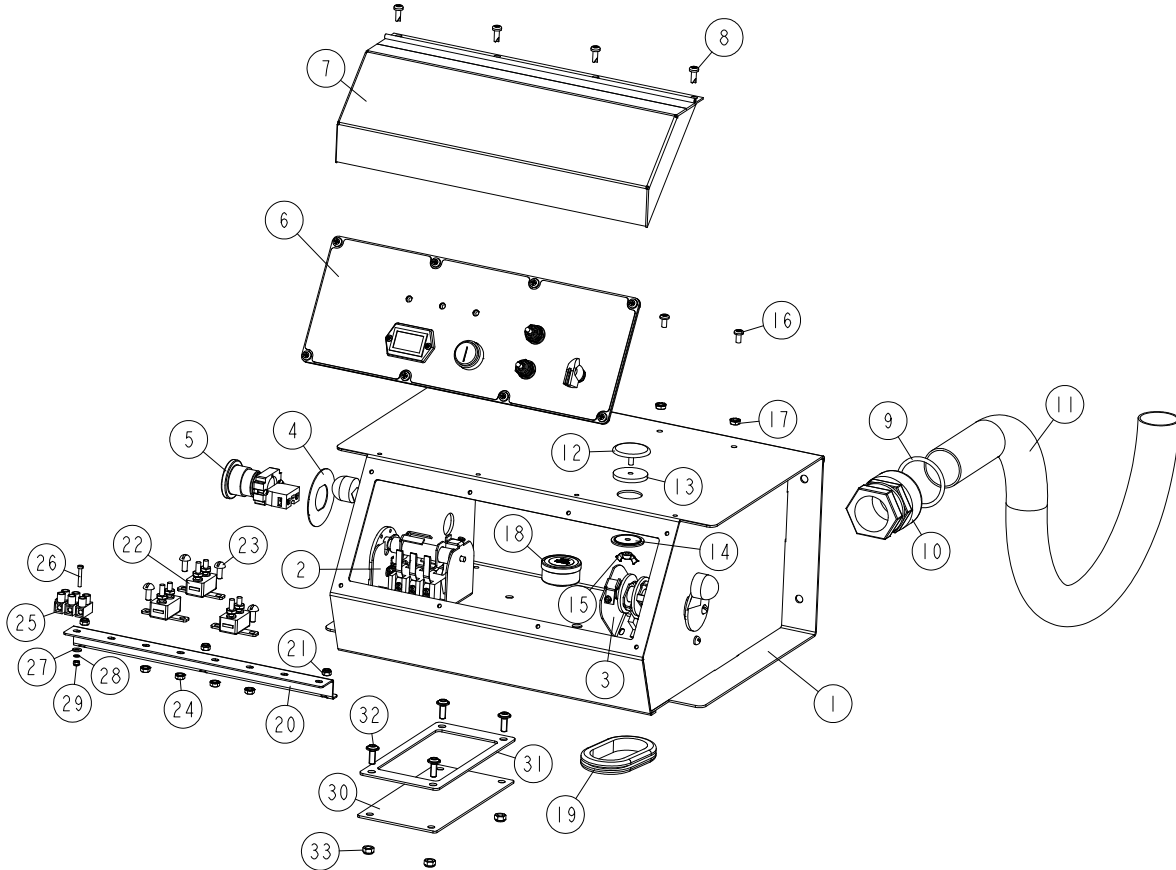
17	Cap, SR1086 22.2 Dia. Hole	093544	1	
18	Seal, 1 1/4 Ring LQTI w/Retainer	015430	1	
	Panel, LT40 AC Front Control Complete	098689	1	
19	Panel, LT20/40 AC Front Control	100572-1	1	
	Panel, LT40 AC Front Control	098586-1 ¹	1	
20	Decal, LT20/40 AC Control Box Left	099594	1	
21	Decal, LT40 DC Control Box Right	099596	1	
22	Gasket, LT20/40 Control Box	097132	1	
23	Gasket, Hour Meter	093346	1	
24	Meter, Hour	093166	1	
25	SWITCH, DPDT TOGGLE 21A REV MOM SPADE	024200	3	
26	Washer, 1/2x3/4x1/16 Nylon	P05251-1	5	
27	Boot, Toggle Switch	P02575	5	
28	Button, 24V Start/Stop	090452	1	
	Diaphragm, M22-T-DD	090462	1	
29	Switch, M22 3-Position Key	091361	1	
30	SWITCH ASSEMBLY, FEED RATE	E20519	1	
31	Knob, Speed Control	P06257	1	
32	Bolt, #10-24x1/2 Ph Pan Hd, Type 23	F05015-17	10	
33	Bolt, M3x12-8.8 Zinc	F81000-12	2	
34	NUT, M3-6-HEX NYLON ZINC LOCK	F81028-2	2	
35	Controller, SW-10 Setworks	500628	1	
36	Spacer, 4.2x6mm Idler	R80671-4	6	
37	Washer, 3.2 Flat Zinc	F81050-2	6	
38	Screw, M3x8-4.8 Zinc	F81000-83	6	
39	Switch, SPST On/Off 15A .25 TABS Toggle	P03027	2	
40	EMERGENCY STOP DECAL	086793	1	
41	STAND, LT20/40/LES/EG300/TVS CONTROL BOX	501651-1 ²	1	

¹ Use in African version only.

² Used In **509115**

5.3 Control Assembly, LT70 Remote

500630_001
500630



REF	DESCRIPTION (◆ indicates parts available in assemblies only)	PART #	QTY
-	BOX, LT70 REMOTE CONTROL	500630	1
1	HOUSING, AC SUPER CONTROL BOX ASSEMBLY (086546-1	1
2	SWITCH ASSEMBLY, POWER FEED DRUM Section 5.5	E20438	1
3	SWITCH, 1992 UP/DOWN Section 5.5	E20440	1
4	WASHER, ZBY9330 EMERGENCY STOP BUTTON	086561	1
5	BUTTON, XB4 BS542 EMERGENCY STOP	086556	1
6	PLATE, COMPLETE FRONT CONTROL BOX Section 5.8	086562	1
7	COVER, CONTROL BOX HINGED	015304	1
8	BOLT, #10-24X1/2 PH PAN HD, TYPE 23	F05015-17	4
9	SEAL, 1 1/4 RING LQTI W/RETAINER	015430	1
10	CONNECTOR, 1 1/4 STRAIGHT METAL CONDUIT	024402	1
11	CONDUIT, 1-1/4IN FLEX	024401	1
-	PLUG, AS075 OILTITE	E20570	1
12	PLUG, HOLE SEAL	E20570-1	1
13	GASKET, HOLE SEAL	E20570-2	1
14	WASHER, HOLE SEAL	E20570-3	1
15	NUT, #10-24 WING	E20570-4	1
16	SCREW, #10-24 X 3/8" PHILLIPS PAN HEAD M	F05004-148	4



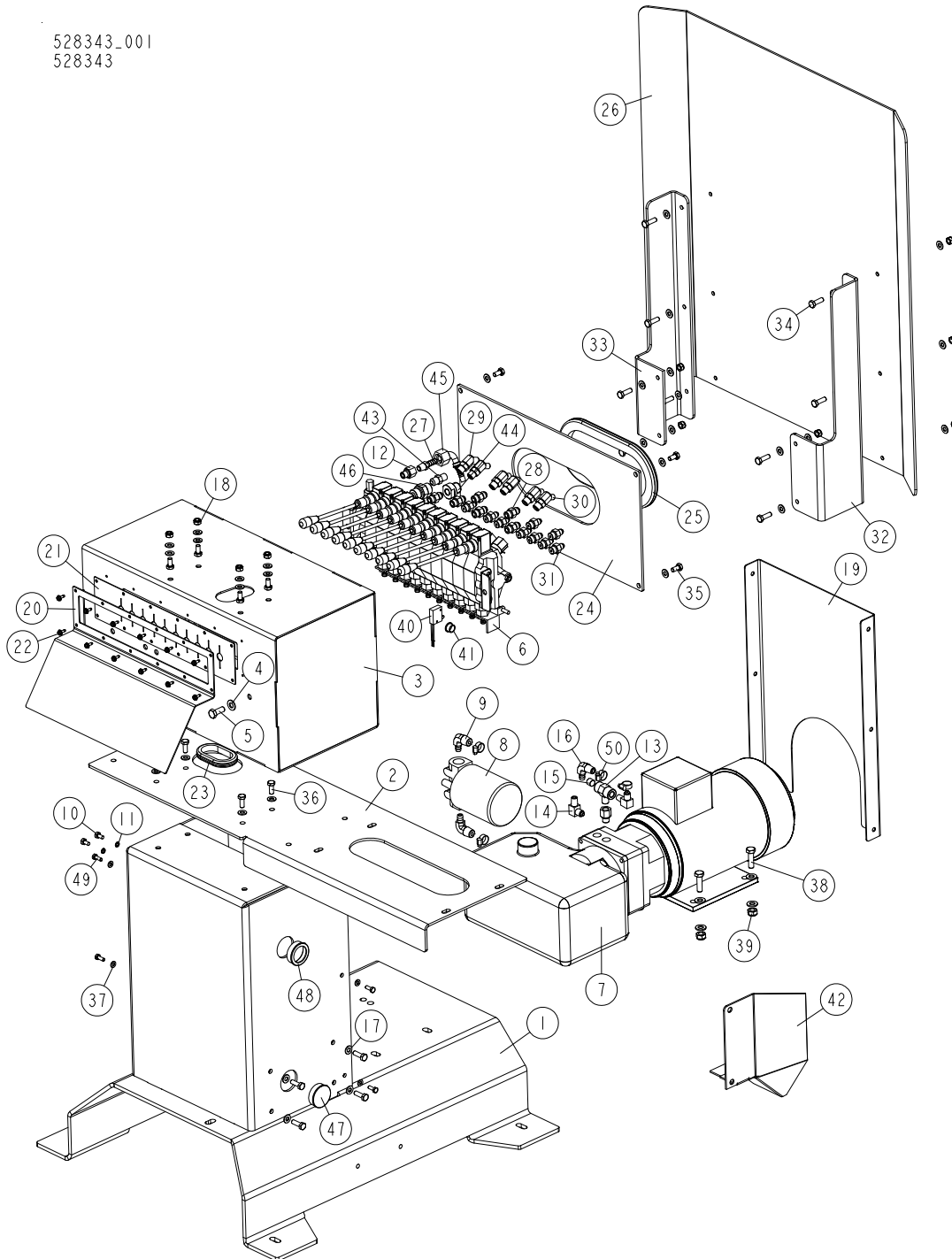
CONTROL BOXES

Control Assembly, LT70 Remote

REF	DESCRIPTION (◆ indicates parts available in assemblies only)	PART #	QTY	
17	NUT, #10-24 SELF-LOCKING	F05010-14	4	
18	CUP ASSEMBLY, DRUM SWITCH GREASE	A20463	1	
19	GROMMET, RUBBER	087065	1	
20	RAIL, CIRCUIT BREAKER	525779-1	1	
21	NUT, M5-8 DIN985 ZINC-PLATED	F81030-2	3	
22	BREAKER, 15 AMP MANUAL RESET	E20430	3	
23	SCREW, #8-32 X 1/2" SLOTTED HEAD	F05004-12	4	
24	NUT, #8-32 HEX SELF-LOCKING	F05010-41	4	
25	STRIP, ELECTRIC WIRE	F81086-1	1	
26	SCREW, M3X20-5.8-A-PAN HEAD ZINC	F81000-8	1	
27	WASHER, 4.3 FLAT ZINC	F81051-2	1	
28	WASHER, 3.2 A MS FLAT SPECIAL	F81050-1	1	
29	NUT, M3-6-HEX NYLON ZINC LOCK	F81028-2	1	
-	GASKET ASSEMBLY	532368	1	
30	PLATE, COVER	532367-1	1	
31	GASKET, CORK	532366	1	
32	SCREW, M6X16 BN 11252 "BOSSARD".	F81001-24	4	
33	NUT, M6-8-B HEX NYLON ZINC LOCK	F81031-2	4	

5.4 Box Assembly, LT70 Remote 10- Section

528343_001
528343

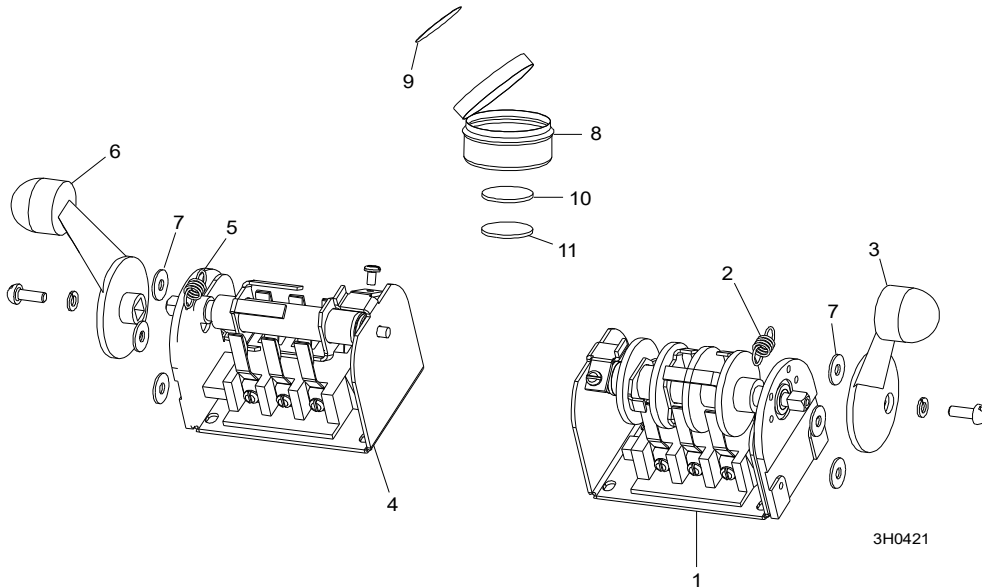


REF	DESCRIPTION (◆ indicates parts available in assemblies only)	PART #	QTY
-	BOX ASSEMBLY, 10-SECTION REMOTE CONTROL	528343	1
1	BASE WELDMENT, REMOTE HYDRAULIC CONTROL	500509-1	1
2	PLATE, REMOTE CONTROL BOX	500121-1	1
3	BOX WELDMENT, HYDRAULIC	500128-1	1
4	WASHER, 10.5 FLAT ZINC	F81055-1	10
5	BOLT, M10X25 8.8 HEX HEAD FULL THREAD ZI	F81003-11	2

CONTROL BOXES*Box Assembly, LT70 Remote 10- Section*

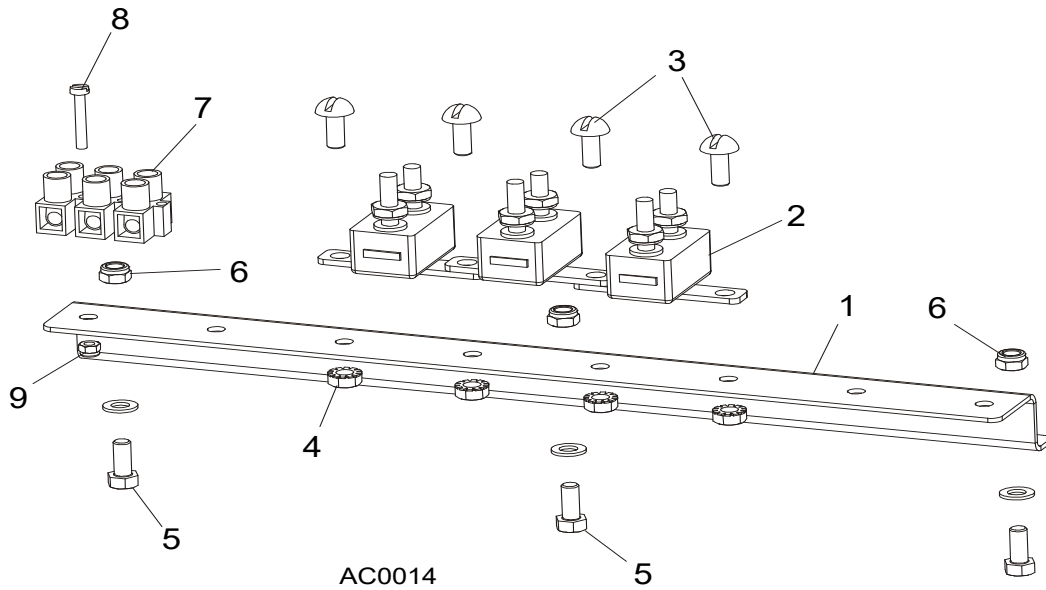
REF	DESCRIPTION (◆ indicates parts available in assemblies only)	PART #	QTY
6	VALVE, 10 SECTION HDS11/10-6	091344SUB	1
7	PUMP, AC.5,5KW 18.5L/MIN HYDRAULIC W/MOT	517840	1
8	MANIFOLD, W/FILTER	P22683	1
9	FITTING, 1/2NPT-3/8 BARB ELBOW	P12707	2
10	BOLT, 1/4-20X1/2 HEX HEAD	F05005-15	2
11	WASHER, Z 6.1 SPLIT LOCK	F81053-3	2
12	FITTING, 6SAE MALE-1/4NPT FEMALE	014686	2
13	FITTING, 1/4NPT BRANCH TEE	015486	1
14	FITTING, 3/8JIC-1/4NPT 90L	015491	2
15	PLUG, 1/4-18 NPT BLANK	096221	1
16	FITTING, 3/8NPT-3/8 BARB ELBOW	P12708	1
17	WASHER, 8.4 FLAT ZINC	F81054-1	44
18	NUT, M8-8-B HEX NYLON ZINC LOCK	F81032-2	18
19	PLATE, REMOTE HYDRAULIC CONTROL BOX REAR	500516-1	1
20	PLATE, FRONT	500122-1	1
21	GUARD, RUBBER HYDRAULIC VALVE 10-SECTION	091739	1
22	BOLT, #10-24X1/2 SELF-TAPPING	F05015-7	12
23	GROMMET, RUBBER	087065	1
24	PANEL, HYDRAULIC BOX REAR	500124-1	1
25	GROMMET, 4 3/8 X 10 OVAL RUBBER	085759	1
26	GUARD, LT70 AC REMOTE CONTROL BOX	090219	1
27	FITTING, 1/4NPT-3/8 BARB	014685	1
28	FITTING, 3/8" O-RING X 3/8" JIC	014687	6
29	FITTING, #6SAE 45 DEG ELBOW	015489	1
30	FITTING, #4 SAE - #6 SAE 45° ELBOW	015488	5
31	FITTING, 1/4JIC-3/8 O-RING	P26284	9
32	BRACKET, CONTROL BOX GUARD	500766-1	1
33	BRACKET, CONTROL BOX GUARD - LEFT	500767-1	1
34	BOLT, M8X25-8.8-B HEX HEAD FULL THREAD Z	F81002-5	14
35	BOLT, M8X16 -8.8-B HEX HEAD FULL THREAD	F81002-20	8
36	BOLT, M8X20-8.8 HEX HEAD FULL THREAD ZIN	F81002-1	4
37	WASHER, 6.4 FLAT ZINC	F81053-1	6
38	BOLT,M10X35-8.8 HEX HEAD FULL THREAD ZIN	F81003-17	4
39	NUT, M10-8-B HEX NYLON ZINC LOCK	F81033-1	4
40	MICROSWITCH, HYDRAULIC VALVE	014765	1
41	GROMMET, 15,9 UB625 RUBBER	086816	1
42	GUARD, CABLE	501102-1	1
43	FITTING, 3/8JIC-1/4NPT STRAIGHT	015560	1
44	FITTING, M22X1.5 / 1/4 - 18 NPT ZINC-PL.	093139-1	1
45	FITTING, PN10AFL 13-90 ELBOW	094485	1
46	FITTING, VMNW10HS22	094486	1
47	CAP, 44.5 MM #466923 HOLE	500768	1
48	BUSH, MOSS 44.5MM 465901 SNAP-FIT	R80670-3	1
49	BOLT M6X16 HH ZC FT 8.8 DIN 933	F81001-15	6
50	CLAMP, 11/16 WORM	061807	4

5.5 Drum Switches



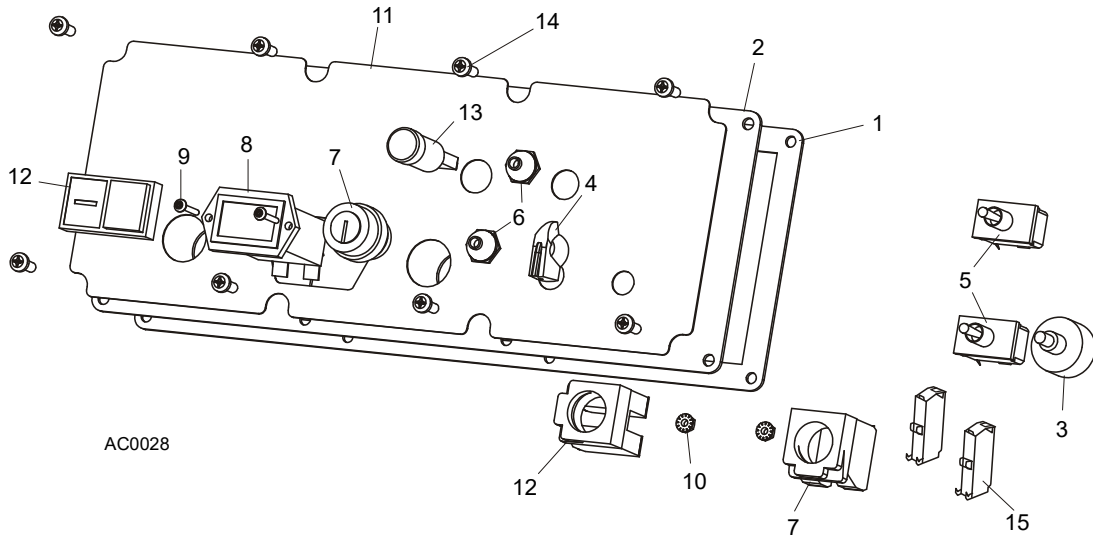
REF	DESCRIPTION (◆ indicates parts available in assemblies only)	PART #	QTY	
	SWITCH, 1992 UP/DOWN	E20440	1	
1	Switch, S12 Bulk Drum	E20440-B	1	◆
2	Spring, Drum Switch	P12570	1	
3	Handle, Drum Switch Replacement	P12500	1	
	SWITCH ASSEMBLY, POWER FEED DRUM	E20438	1	
4	Switch, S10 Bulk Drum	E20438-B	1	◆
5	Spring, Drum Switch	P12570	1	
6	Handle, Drum Switch Replacement	P12500	1	
7	WASHER, #8 SAE FLAT	F05011-41	6	
	CUP ASSEMBLY, DRUM SWITCH GREASE	A20463	1	
8	Cup, Plastic Container	P20464	1	◆
9	Decal, Grease Cup Label	P20467	1	
10	Pad, Velcro Loop	P20466	1	◆
11	Pad, Velcro Hook	P20465	1	◆
	Grease, High Temp Drum Switch	P20468	.011ml	◆

5.6 Circuit Breakers



REF	DESCRIPTION (◆ indicates parts available in assemblies only)	PART #	QTY
	BREAKER ASSEMBLY, SAWMILL CONTROL CIRCUIT	015621	1
1	Rail, Circuit Breaker	015310	1
2	Breaker, 15 Amp Manual Reset	E20430	5
3	Screw, #8-32 X 1/2" Slotted Head	F05004-12	6
4	Nut, #8-32 Hex Self-Locking	F05010-41	6
5	BREAKER, 70 AMP MANUAL RESET PANEL MOUNT	015527	1
6	BREAKER, 50 AMP MANUAL RESET PANEL MOUNT	021256	1
7	BOOT, CIRCUIT BREAKER	021253	2
8	SCREW, #10-24 X 3/8 PHILLIPS PAN HEAD ZINC	F05004-3	3
9	NUT, #10-24 SELF-LOCKING	F05010-14	3

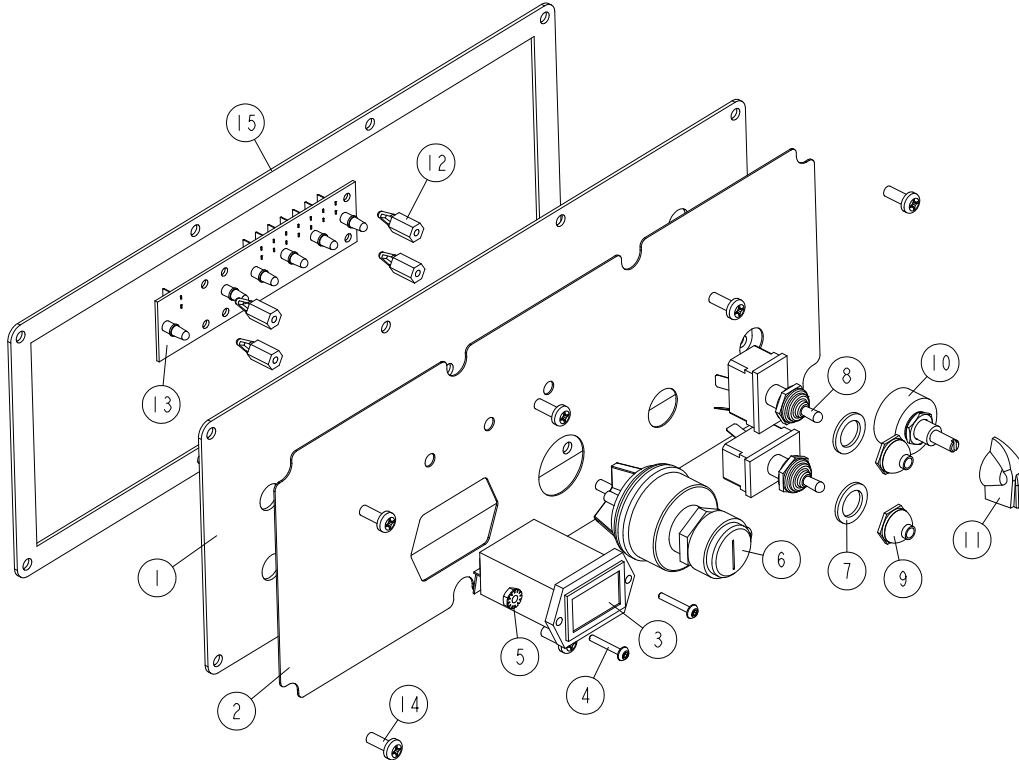
5.7 Front Panel Assembly & Harnesses



REF	DESCRIPTION (◆ indicates parts available in assemblies only)	PART #	QTY
	PANEL ASSEMBLY, AC SUPER CONTROL FRONT (EA20, EA25)	087387	1
1	Gasket, Front Panel	088387	1
2	Panel Weldment, Control	087316	1
3	Switch Assembly, Feed Rate	E20519	1
4	KNOB, SPEED CONTROL	P06257	1
5	SWITCH, DPDT TOGGLE 21A REV MOM SPADE	024200	2
6	Boot, Toggle Switch Rubber	P02575	2
7	Switch, Key	087350	1
8	Meter, Hour	015401	1
9	SCREW, 6-32 X 3/4" SOCKET BUTTON HEAD CA	F05004-93	2
10	Nut, # 6-32 Keps	F05010-59	2
11	Decal, Control Panel	087351	1
12	Switch, START-STOP	087349	1
13	Lamp, Control	087348	1
	HARNESS ASSEMBLY, UPPER WIRING	093167	1
14	BOLT, #10-24X1/2 PH	F05015-17	8
15	Contact ZBE101	087817	2

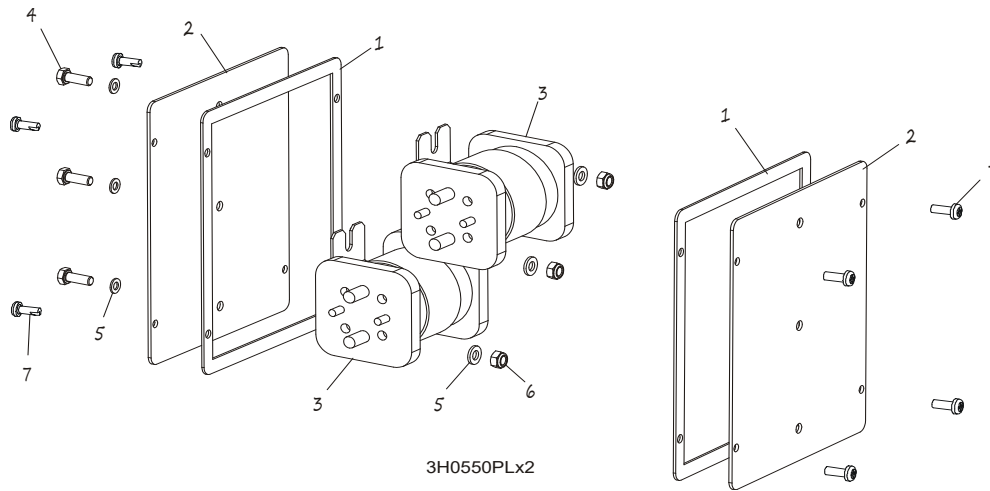
5.8 Plate, LT70 Remote Complete Front Control Box

086562_001
086562



REF	DESCRIPTION (◆ indicates parts available in assemblies only)	PART #	QTY
-	PLATE, COMPLETE FRONT CONTROL BOX	086562	1
1	PANEL WELDMENT, CONTROL	015302	1
2	DECAL, CONTROL PANEL (E25)	015271	1
3	METER, HOUR	015401	1
4	SCREW, 6-32 X 3/4" SOCKET BUTTON HEAD CA	F05004-93	2
5	NUT, # 6-32 KEPS	F05010-59	2
6	SWITCH, KEY	P04350	1
7	WASHER, 1/2X3/4X1/16 NYLON	P05251-1	2
8	SWITCH, DPDT TOGGLE 21A REV MOM SPADE	024200	2
9	BOOT, TOGGLE SWITCH	P02575	2
10	SWITCH ASSEMBLY, FEED RATE	024450	1
11	KNOB, SPEED CONTROL	P06257	1
12	SPACER, 1/2"-#6 THREADED	023147	4
-	BOARD, LED CIRCUIT (E25)	015416	1
13	CIRCUIT BOARD, SAWMILL LED	023038	1
14	BOLT, #10-24X1/2 PH PAN HD, TYPE 23	F05015-17	8
15	GASKET, FRONT PANEL	015270	1

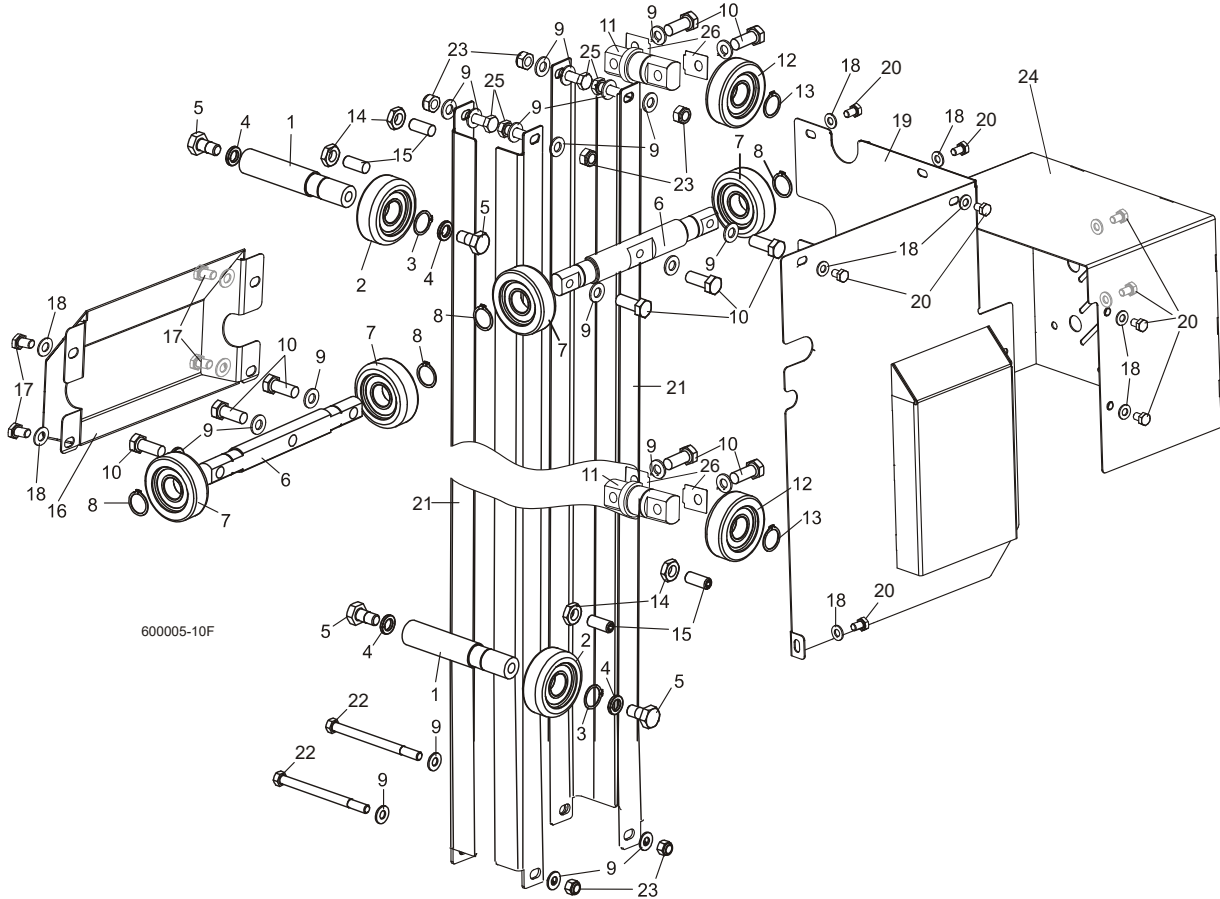
5.9 Solenoids



REF	DESCRIPTION (◆ indicates parts available in assemblies only)	PART #	QTY	
1	GASKET, SIDE PANEL	015274	2	
2	PANEL WELDMENT, SIDE	015307	2	
3	SOLENOID, 200A 12V SPST HYDRAULIC PUMP	015470	2	
4	BOLT M6X16 HH ZC FT 8.8 DIN 933	F81001-15	3	
5	WASHER, 6.4 FLAT ZINC	F81053-1	6	
6	NUT, M6-8-B HEX NYLON ZINC LOCK	F81031-2	3	
	DIODE ASSEMBLY, SOLENOID COIL CHASSIS GND	087496	4	
7	BOLT, #10-24X1/2 PH	F05015-17	8	

SECTION 6 UP/DOWN SYSTEM

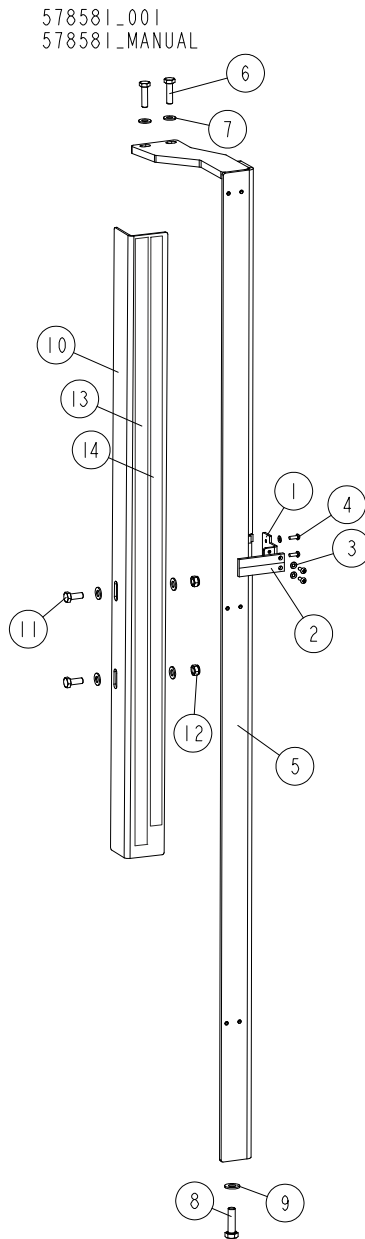
6.1 Up/Down Rollers & Covers



REF	DESCRIPTION (◆ indicates parts available in assemblies only)	PART #	QTY
	ROLLER ASSEMBLY, INSIDE UP/DOWN	089456	2
1	Shaft, Inside Up/Down Roller	088817-1	1
2	ROLLER, CBK-468	088433	1
3	Ring, Z30 Spring Retaining	F81090-23	1
4	WASHER, 13 FLAT ZINC	F81056-1	2
5	Bolt, M12x25-8.8 Hex Head Full Thread Zinc	F81004-31	2
	ROLLER ASSEMBLY, OUTSIDE UP/DOWN	089454	2
6	Shaft, Long Up/Down Roller	088815-1	1
7	ROLLER, CBK-468	088433	2
8	Ring, Z30 Spring Retaining	F81090-23	2
9	WASHER, 10.5 FLAT ZINC	F81055-1	22
10	BOLT, M10X35-8.8 HEX HEAD FULL THREAD ZIN	F81003-17	10
	ROLLER ASSEMBLY, SHORT UP/DOWN	089455	2
11	Shaft, Short Up/Down Roller	088816-1	1
12	ROLLER, CBK-468	088433	1
13	Ring, Z30 Spring Retaining	F81090-23	1
14	NUT, M10-04-W HEX ZINC THIN	F81033-6	4
15	SCREW, GN 913.3-M10-40-MS SET	F81003-65	4
16	COVER WELDMENT, UP/DOWN ROLLER	507056-1	1

17	BOLT, M8X16 -8.8-B HEX HEAD FULL THREAD	F81002-20	4	
18	WASHER, 8.4 FLAT ZINC	F81054-1	13	
19	GUARD WELDMENT, RA-08 UP/DOWN GEAR BOX SIDE	091319-1	1	
20	BOLT, M8X12-8.8 HEX HEAD FULL THREAD ZINC	F81002-6	9	
21	ANGLE, MAST TUBE STAINLESS	088492	4	
22	BOLT, M10X125 8.8 HEX HEAD ZINC	F81003-18	2	
23	NUT, M10-8-B HEX NYLON ZINC LOCK	F81033-1	6	
24	GUARD, UP/DOWN MOTOR PAINTED	090501-1	1	
25	BOLT, M10X30-8.8 HEX HEAD FULL THREAD ZI	F81003-2	4	
26	SPACER, ROLLER ASSEMBLY, SHORT UP/DOWN	510616	-	

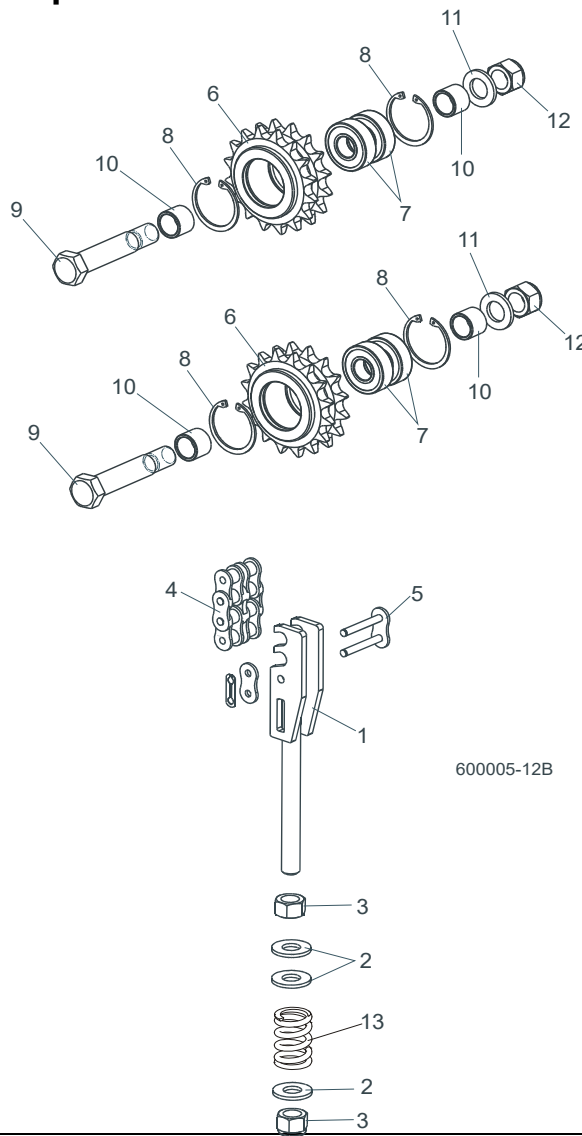
6.2 Blade Height Scale



REF	DESCRIPTION (◆ indicates parts available in assemblies only)	PART #	QTY	
-	INDICATOR ASSEMBLY, SCALE	578581	1	
1	MOUNT WELDMENT, SCALE PAINTED	088558-1	1	
2	INDICATOR, BLADE HEIGHT SCALE	094821	1	
3	WASHER, 4.3 FLAT ZINC	F81051-2	4	
4	SCREW, M4X12 5,8-B CROSS RECESSED PAN HE	F81011-43	4	
5	MOUNT WELDMENT, SCALE PAINTED	088554-1	1	
6	BOLT, M8 X 30-8.8-B HEX HEAD FULL THREAD	F81002-7	2	
7	WASHER, 8.4 FLAT ZINC	F81054-1	6	
8	BOLT, M10X35-8.8 HEX HEAD FULL THREAD ZIN	F81003-17	1	
9	WASHER, 10.5 FLAT ZINC	F81055-1	1	
10	ANGLE, SCALE MOUNT	088785-1	1	

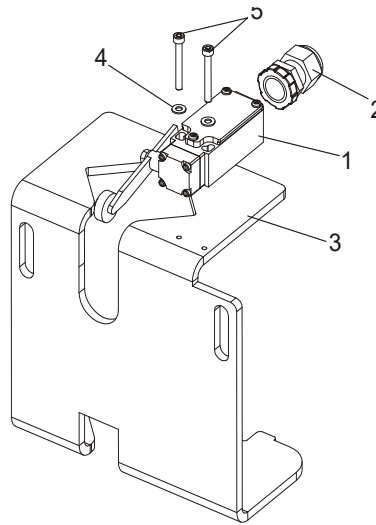
REF	DESCRIPTION (◆ indicates parts available in assemblies only)	PART #	QTY	
11	BOLT, M8X20 8.8 HEX HEAD FULL THREAD ZIN	F81002-4	2	
12	NUT, M8-8-B HEX NYLON ZINC LOCK	F81032-2	2	
13	DECAL, METRIC	S11711	1	
14	DECAL, METRIC 16-40MM	P12040-1	1	

6.3 Up/Down Chain & Sprockets

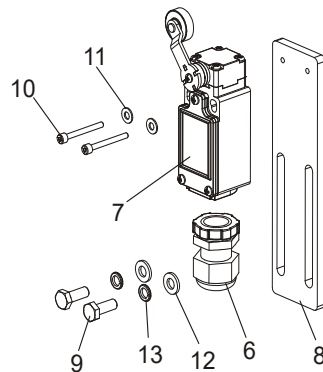


REF	DESCRIPTION (◆ indicates parts available in assemblies only)	PART #	QTY
1	TENSIONER WELDMENT, UP/DOWN CHAIN ZINC	512181-1	1
2	WASHER, 13 FLAT ZINC	F81056-1	3
3	NUT, M12 8 HEX NYLON ZINC LOCK	F81034-2	2
4	CHAIN, 12B-2 97-LINK	512197	1
5	LINK, 12B-2Pz MASTER	099249	1
	SPROCKET ASSEMBLY, UP/DOWN IDLER	512180	2
6	Sprocket, Zinc-Plated	512179-1	1
7	Bearing, 6203-2RS FLT Rolling	086114	2
8	Ring, W40 Spring Retaining	F81090-3	2
9	Bolt, M16D1F6 x 90-8.8 Hex Fit Short Thread Zinc	F81006-15	1
10	Spacer, Idler Zinc	088792-1	2
11	WASHER, 17 SPLIT LOCK ZINC	F81058-1	1
12	Nut, M16-8 Hex Nylon Zinc Lock	F81036-2	1
13	Spring, 14x30x3.2	090797	1

6.4 Safety Switches



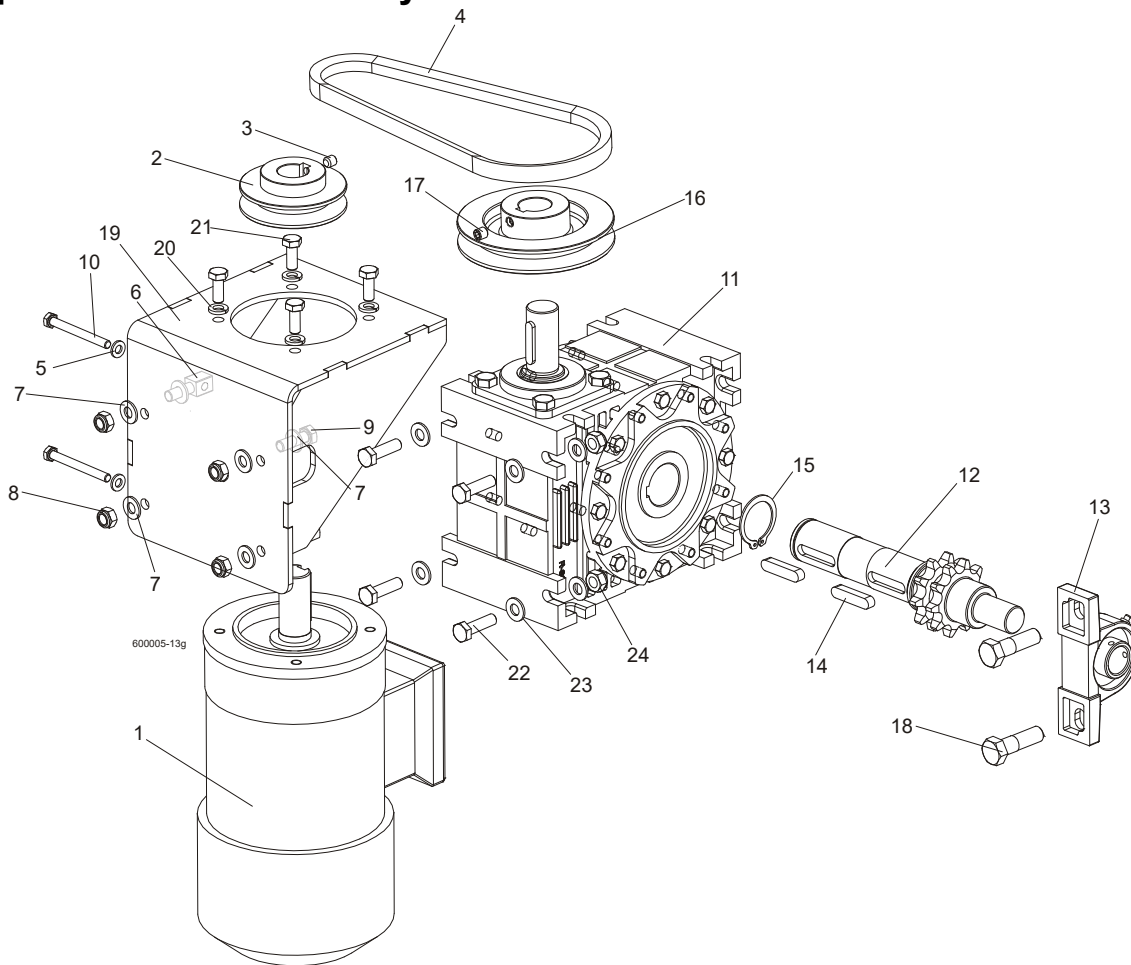
600045B



REF	DESCRIPTION (◆ indicates parts available in assemblies only)	PART #	QTY
1	SWITCH, GLCB01A2B SAFETY	086469	2
2	GLAND, ST PG 13.5 GREY CABLE	086524	2
3	SUPPORT, POWER CORD BRACKET	090460-1 ¹	1
4	WASHER, 4.3 FLAT ZINC	F81051-2	4
5	SCREW, M4X35 8.8 HEX SOCKET HEAD CAP ZIN	F81011-34	4
	SWITCH ASSEMBLY, LT70 SAFETY LOWER	505711	1
6	GLAND, ST PG 13.5 GREY CABLE	086524	1
7	SWITCH, FA138 Z11 LIMIT	100931	1
8	BAR, LIMIT SWITCH MOUNT	505125-1	1
9	BOLT M6X16 HH ZC FT 8.8 DIN 933	F81001-15	2
10	SCREW, M3X30 8.8 HEX SOCKET HEAD CAP ZINC	F81011-38	2
11	WASHER, 4.3 FLAT ZINC	F81051-2	2
12	WASHER, 6.4 FLAT ZINC	F81053-1	2
13	WASHER, Z 6.1 SPLIT LOCK	F81053-3	2

¹ LT70DC version only

6.5 Up/Down Drive Assembly

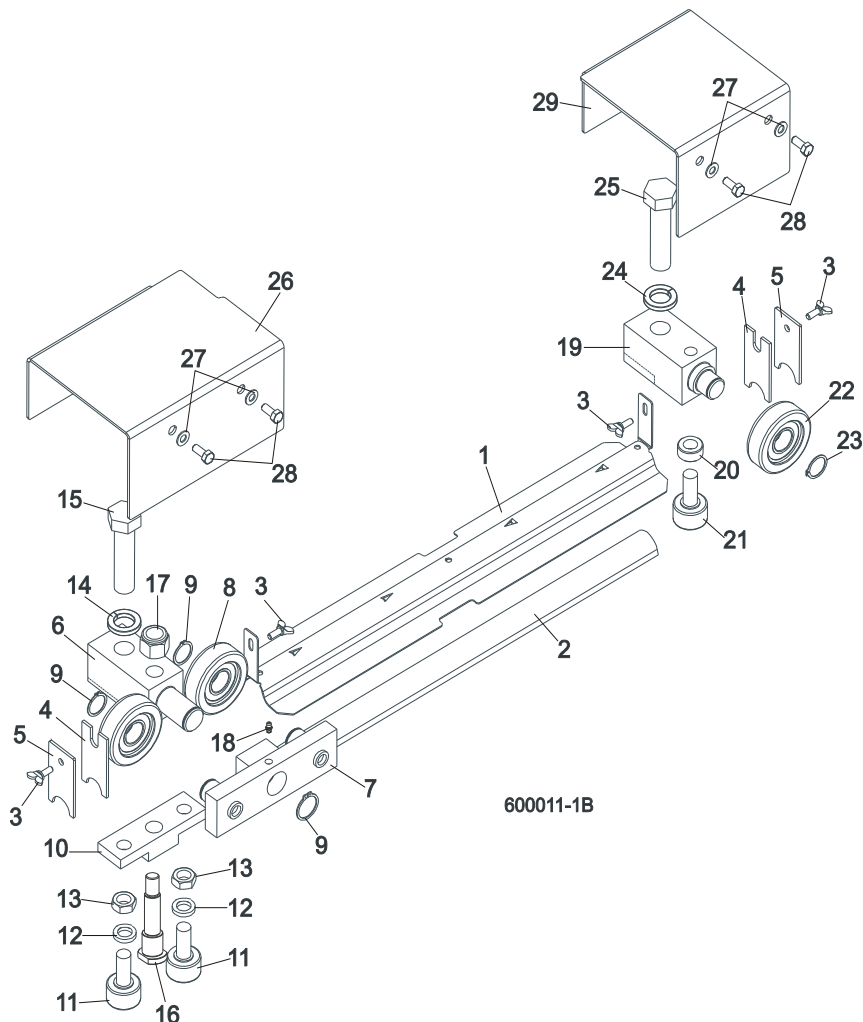


REF	DESCRIPTION (◆ indicates parts available in assemblies only)	PART #	QTY
	MOTOR W/MOUNT BRACKET, AC UP/DOWN	090493	1
1	AC Motor, 2 gear STKg90 6/4L2 IMB14/162	086530	1
2	Pulley, AC Motor	090497-1	1
3	Screw, M8x8-33H Hex Socket Set Flat Point Zinc	F81014-1	1
4	V-Belt, HA-670	091328	1
5	WASHER, 6.4 FLAT ZINC	F81053-1	2
6	Bolt, Special Zinc	088962-1	2
7	WASHER, 8.4 FLAT ZINC	F81054-1	8
8	Nut, M8-8-B Hex Nylon Zinc Lock	F81032-2	4
9	Bolt, M8X25-8.8-B Hex Head Full Thread Zinc	F81002-5	2
10	Bolt, M6x60-8.8 Hex Head Full Thread Zinc	F81001-9	2
	GEAR BOX ASSEMBLY, UP/DOWN DRIVE	091310	1
11	Gear Box, R80/64/WBS/D1,N+S,V5	097701	1
12	Output Shaft w/Sprocket, Up/Down Drive	517320-1	1
13	Bearing Assembly, UCP205 CX	088468	1
14	Key, A10x8x45 Parallel	091312	1
15	Ring, Outside Retaining Z38	F81090-26	1
16	PULLEY, UP/DOWN GEAR PAINTED	091308-1	1
17	SCREW, M8X8-33H HEX SOCKET SET FLAT POINT ZINC	F81014-1	1
18	BOLT, M12X40-8.8 HEX HEAD	F81004-1	1

19	BRACKET, AC UP/DOWN MOTOR MOUNT	090494-1	1	
20	WASHER 8,2 SPLIT LOCK ZINC	F81054-4	4	
21	BOLT, M8X20 8.8 HEX HEAD FULL THREAD ZIN	F81002-4	4	
22	BOLT,M10X35-8.8 HEX HEAD FULL THREAD ZIN	F81003-17	4	
23	WASHER, 10.5 PN-82/M-82021 ZINC	F81055-4	8	
24	NUT, M10-8-B HEX NYLON ZINC LOCK	F81033-1	4	

SECTION 7 FEED SYSTEM & TRACK ROLLERS

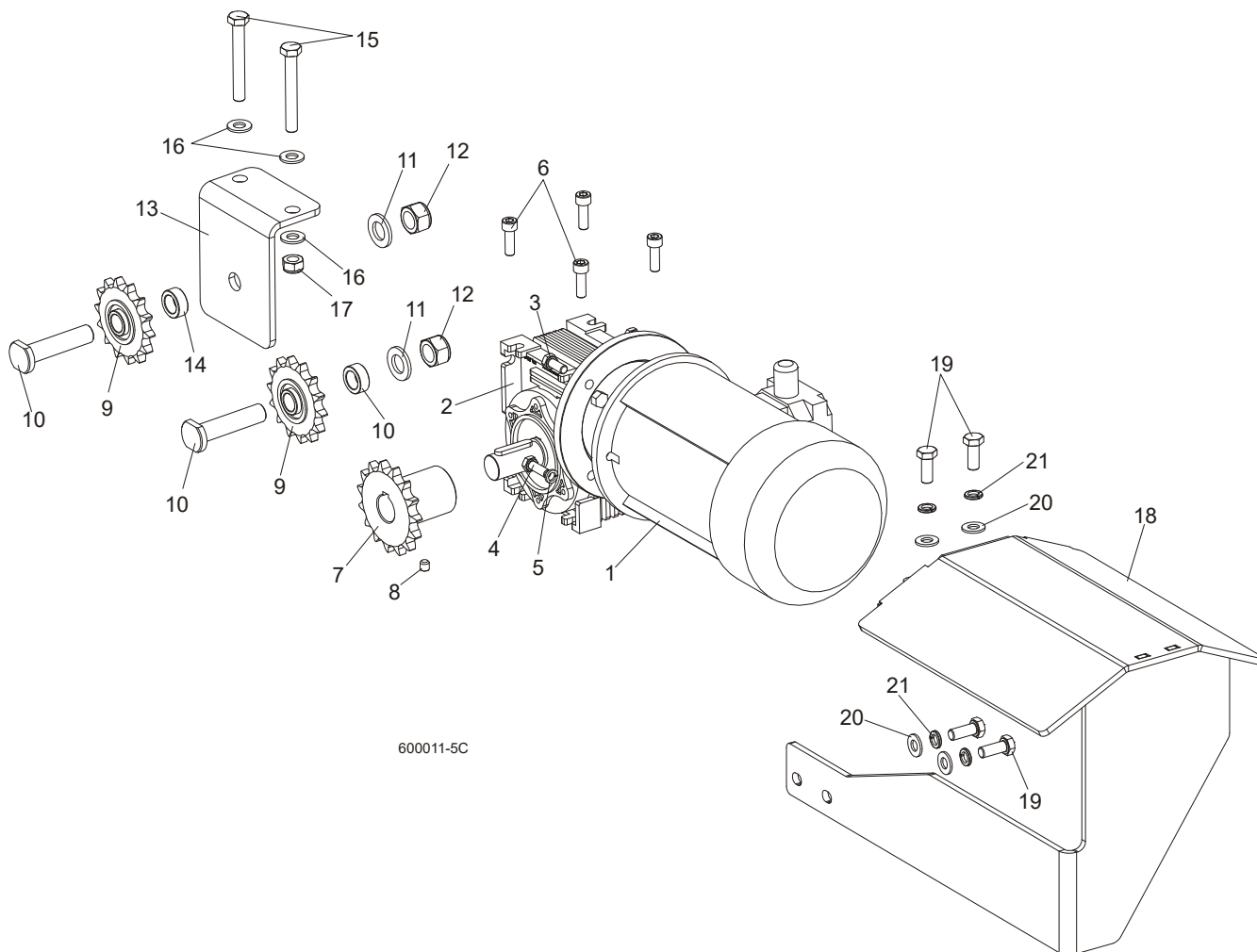
7.1 Upper Track Rollers And Wipers



REF	DESCRIPTION (◆ indicates parts available in assemblies only)	PART #	QTY
1	COVER, LT40/70 MIDDLE TRACK - SERVICE	522292-S	1
	Cover, LT40/70 Middle Track	522292-1	1
2	Strip, 3/16 X 2 X 23 Felt	S09915	1
3	SCREW, M6X20 DIN 316 WING	F81001-58	4
4	WIPER, TOP RAIL	M04113	2
5	PLATE, TRACK WIPER	088559-1	2
	ROLLER ASSEMBLY, UPPER TANDEM TRACK	088530	1
6	Block, Tandem Roller Mount	088532	1
7	Block Assembly, Tandem Roller	088535	1
8	ROLLER, CBK-468	088433	2
9	Ring, Z30 Spring Retaining	F81090-23	2
10	Block, Cam Follower Mount	088520	1
11	Bearing, Cam Follower (McGill)	012797	2
12	Washer, 16.3 Split Zinc Lock	F81058-2	2
13	Nut, 5/8"-18 Zinc	F05010-11	2

14	Washer, Z24.5 Split Zinc Lock	F81061-4	1	
15	BOLT, M24X2X90-8.8 HEX HEAD FULL THREAD	F81009-2	1	
16	Pin, Cam Follower Mount	088531	1	
17	Nut, M16-8 Hex Nylon Zinc Lock	F81036-2	1	
18	FITTING, M6 GREASE	086280	1	
	ROLLER ASSEMBLY, REAR UPPER TRACK	088529	1	
19	Block, Rear Upper Roller Mount	088528	1	
20	Spacer, Cam Follower	088536	1	
21	Bearing, Cam Follower (McGill)	012797	1	
22	Roller, CBK-468	088433	1	
23	Ring, Z30 Spring Retaining	F81090-23	1	
24	Washer, Z24.5 Split Zinc Lock	F81061-4	1	
25	Bolt, M24x2x90-8.8 Hex Head Full Thread Zinc	F81009-2	1	
26	COVER, TANDEM ROLLER	088526-1	1	
27	WASHER, 6.4 FLAT ZINC	F81053-1	4	
28	BOLT M6X16 HH ZC FT 8.8 DIN 933	F81001-15	4	
29	COVER, REAR UPPER ROLLER	088527-1	1	

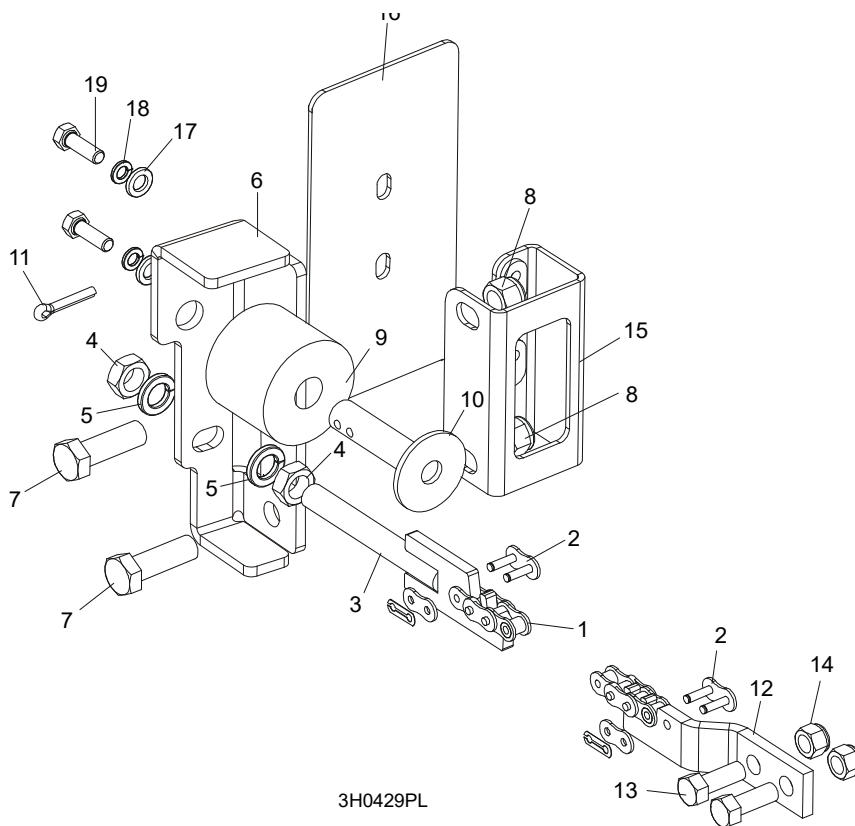
7.2 Power Feed Assembly



REF	DESCRIPTION (◆ indicates parts available in assemblies only)	PART #	QTY
	MOTOREDUCER, MR-50/7.5/1.1-1380/K3/B8	100936	1
1	MOTOR, 1.1kW AC ELECTRIC	090104	1
2	MOTOREDUCER, MR-50/7.5/DO SILN/K3,N+S,B8	100935	1
3	BOLT, M8X20 8.8 HEX HEAD FULL THREAD ZIN	F81002-4	2
4	BOLT, M8X25-8.8-B HEX HEAD FULL THREAD Z	F81002-5	2
5	WASHER 8,2 SPLIT LOCK ZINC	F81054-4	2
6	SCREW, M8x25 -8.8 HEX SOCKET HEAD CAP	F81002-21	4
7	SPROCKET, 10B Z15 ZINC	088541-1	1
8	SCREW, M8x8-33H HEX SOCKET SET FLAT POINT ZINC	F81014-1	2
9	SPROCKET, KSR 16.L0.10.10.14.08 W/BEARING	088867	2
10	PIN, ZINC SPROCKET MOUNT	088994-1	2
11	WASHER, 17 SPLIT LOCK ZINC	F81058-1	2
12	NUT, M16-8 HEX NYLON ZINC LOCK	F81036-2	2
13	BRACKET, POWER FEED SPROCKET MOUNT	088507-1	1
14	SPACER, POWER FEED SPROCKET	088550-1	1
15	BOLT, M10x75-8.8 HEX HEAD ZINC	F81003-15	2
16	WASHER, 10.5 FLAT ZINC	F81055-1	4

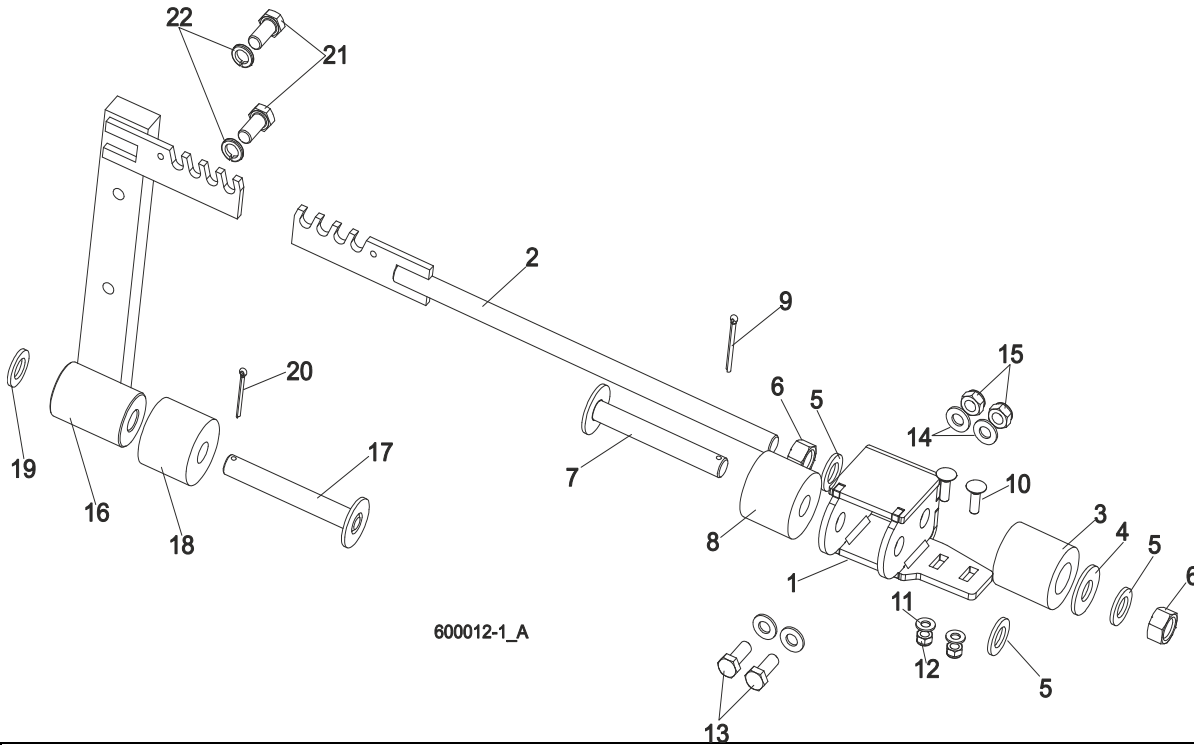
17	NUT, M10-8-B HEX NYLON ZINC LOCK	F81033-1	2	
	GUARD, LT70AC POWER FEED MOTOR COMPLETE	504651	1	
18	GUARD, LT70AC POWER FEED MOTOR	504652-1	1	
19	BOLT, M10X25 8.8 HEX HEAD FULL THREAD ZI	F81003-11	4	
20	WASHER, 10.5 FLAT ZINC	F81055-1	4	
21	WASHER, Z 10.2 SPLIT LOCK ZINC	F81055-2	4	

7.3 Feed Chain/Stop, LT70 S/M



REF	DESCRIPTION (◆ indicates parts available in assemblies only)	PART #	QTY
1	CHAIN, 10B-1-375 (5.95M) LT70S FEED	090427	1
	CHAIN, 10B-1-457 (7.25M) LT70M FEED	090370	1
	CHAIN 10B-1 (0,9M)	506516	1
2	LINK, 10B-1Pz MASTER	088671	2
3	TENSIONER WELDMENT, POWER FEED CHAIN ZINC-PLATED	086818-1	1
4	NUT, M12-5 HEX JAM	F81034-4	2
5	WASHER, Z12.2 SPLIT LOCK ZINC	F81056-2	2
6	BRACKET, FEED CHAIN REAR MOUNT	087628-1	1
7	BOLT, M12X40-8.8 HEX HEAD FULL THREAD ZI	F81004-4	2
8	NUT, M12 8 HEX NYLON ZINC LOCK	F81034-2	2
	STOP KIT, RUBBER CARRIAGE	K09630	2
9	BUSHING, 11/16X2 1/8X1 3/4 RUBBER	P12165	1
10	Pin, Rubber Carriage Stop	086182-1	1
11	Pin, 3/16" X 1" Cotter	F05012-21	1
12	BRACKET, FRONT FEED CHAIN MOUNT	015008	1
13	BOLT, 3/8-16X1 HH	F05007-7	2
14	NUT, 3/8-16 HEX NYLON LOCK	F05010-10	2
15	BRACKET WELDMENT, REAR TUBE COVER	087105-1	1
16	COVER, REAR MAIN TUBE	015023	1
17	WASHER, 8.4 FLAT ZINC	F81054-1	2
18	WASHER 8,2 SPLIT LOCK ZINC	F81054-4	2
19	BOLT, 5/16-18 X 1" HEX HEAD	F05006-1	2

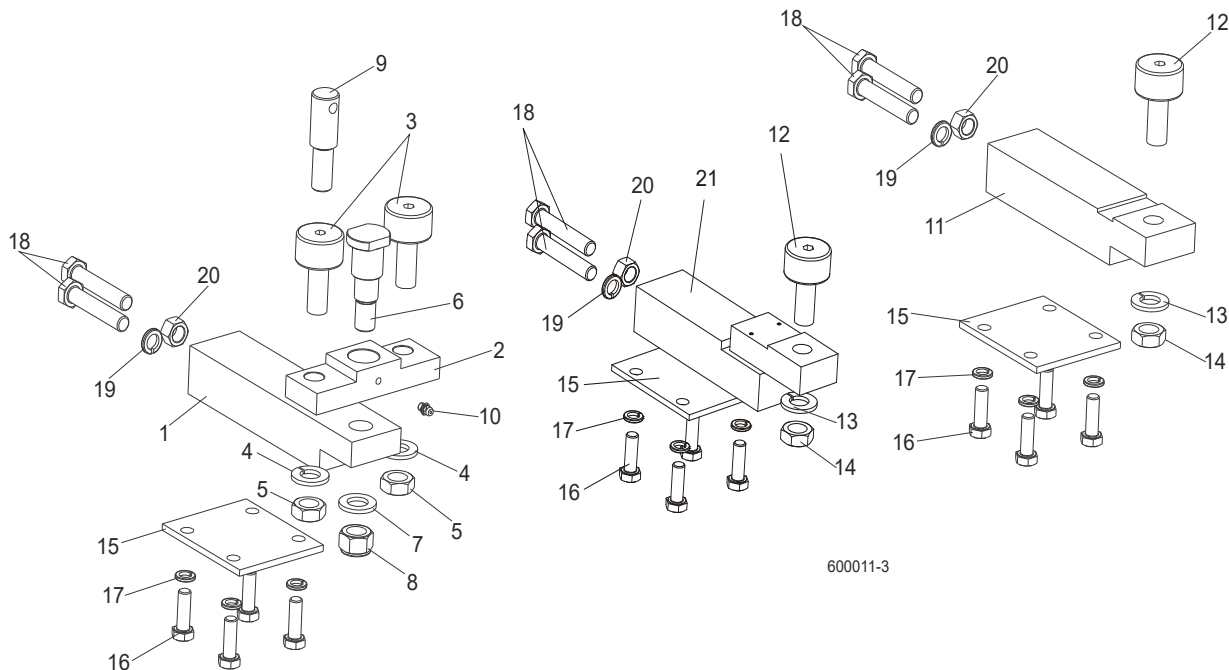
7.4 Feed Chain/Stop



600012-1_A

REF	DESCRIPTION (◆ indicates parts available in assemblies only)	PART #	QTY
1	MOUNT WELDMENT, FRONT CARRIAGE STOP	546123-1	1
2	TENSIONER, POWER FEED CHAIN ZINC-PLATED	089364-1	1
3	SPRING, TENSIONER BLADE LT15	014828	1
4	WASHER, 17/40-3 ZINC-PLATED	089360-1	1
5	WASHER, 17 SPLIT LOCK ZINC	F81058-1	3
6	NUT, M16-5.8 HEX ZINC	F81036-1	2
7	PIN, 16X117 W/PLATE	089361-1	1
8	BUSHING, 11/16X2 1/8X1 3/4 RUBBER	P12165	1
9	PIN, S-Zn 4x25 COTTER	F81043-2	1
10	BOLT, M8X25-8.8 ZINC MUSHROOM HEAD SQUAR	F81002-59	2
11	WASHER, 8.4 FLAT ZINC	F81054-1	2
12	NUT, M8-8-B HEX NYLON ZINC LOCK	F81032-2	2
13	BOLT, M10X25 8.8 HEX HEAD FULL THREAD	F81003-31	2
14	WASHER, 10.5 FLAT ZINC	F81055-1	4
15	NUT, M10-8-B HEX NYLON ZINC LOCK	F81033-1	2
	STOP ASSEMBLY, REAR POWER FEED	089362	1
16	Stop Weldment, Rear Power Feed	088346-1	1
17	PIN, 16X117 W/PLATE	089361-1	1
18	BUSHING, 11/16X2 1/8X1 3/4 RUBBER	P12165	1
19	WASHER, 17 SPLIT LOCK ZINC	F81058-1	1
20	Pin, S-Zn 4x25 Cotter	F81043-2	1
21	BOLT, M12X25-8.8 HEX HEAD FULL THREAD ZINC	F81004-31	2
22	WASHER, 13 FLAT ZINC	F81056-1	2
	CHAIN, 10B-1 POWER FEED	088670	1
	CHAIN 10B-1 (0,9m)	506516	1
	LINK, 10B-1PZ MASTER	088671	2

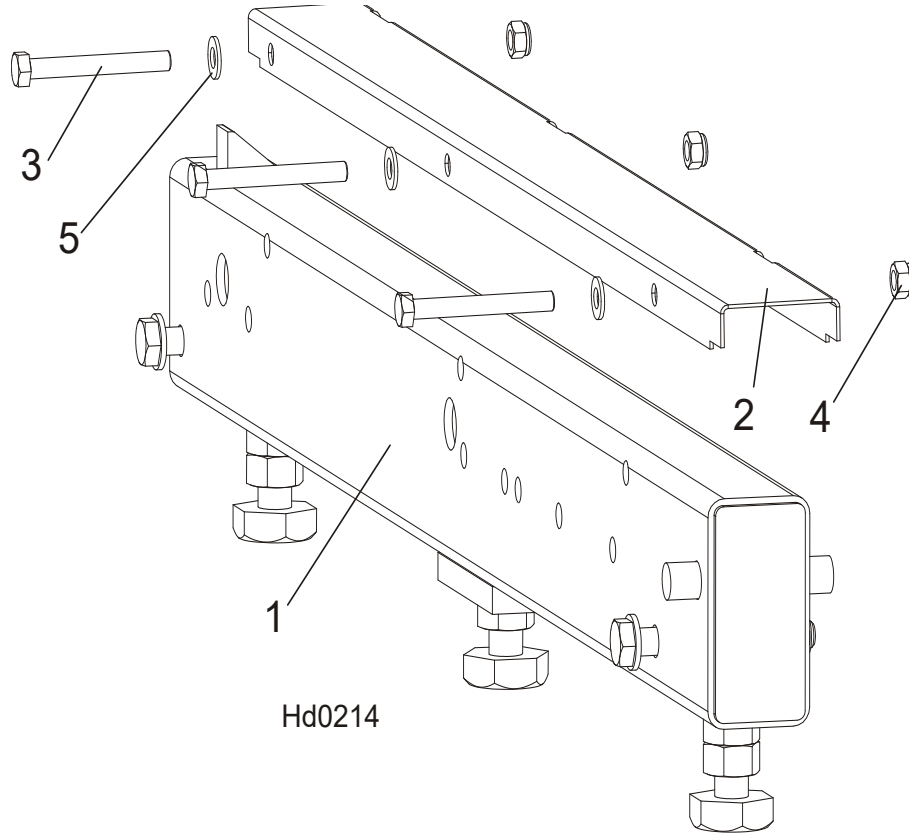
7.5 Lower Track Rollers



REF	DESCRIPTION (◆ indicates parts available in assemblies only)	PART #	QTY
	BLOCK ASSEMBLY, VERTICAL MAST ALIGNMENT DOUBLE	088523	1
1	Block, Vertical Mast Alignment Double	088517	1
2	Block, Cam Follower Mount	088520	1
3	Bearing, Cam Follower (McGill)	012797	2
4	Washer, 16.3 Split Zinc Lock	F81058-2	2
5	Nut, 5/8"-18 Zinc	F05010-11	2
6	Pin, Cam Follower Mount	088521	1
7	WASHER, 17 SPLIT LOCK ZINC	F81058-1	1
8	Nut, M16-8 Hex Nylon Zinc Lock	F81036-2	1
9	Pin, Safety Lock	088519	1
10	FITTING, M6 GREASE	086280	1
	BLOCK ASSEMBLY, VERTICAL MAST ALIGNMENT SINGLE	088524	1
11	Block, Vertical Mast Alignment Single	088518	1
12	Bearing, Cam Follower (McGill)	012797	1
13	Washer, 16.3 Split Zinc Lock	F81058-2	1
14	Nut, 5/8"-18 Zinc	F05010-11	1
15	PLATE, LOWER TRACK ROLLER RETAINER	088516	3
16	BOLT, M10X30-8.8 HEX HEAD FULL THREAD ZI	F81003-2	12
17	WASHER, Z 10.2 SPLIT LOCK ZINC	F81055-2	12
18	BOLT, M12X1.25X65-8.8 HEX HEAD FULL THREAD ZINC	F81004-40	6
19	WASHER, Z12.2 SPLIT LOCK ZINC	F81056-2	3
20	NUT, M12X1.25-8 ZINC HEX	F81034-8	3
21	BLOCK WELDMENT, LOWER TRACK ROLLER MOUNT	091425	1

SECTION 8 BED FRAME ASSEMBLY

8.1 Front Bed Rail Assembly



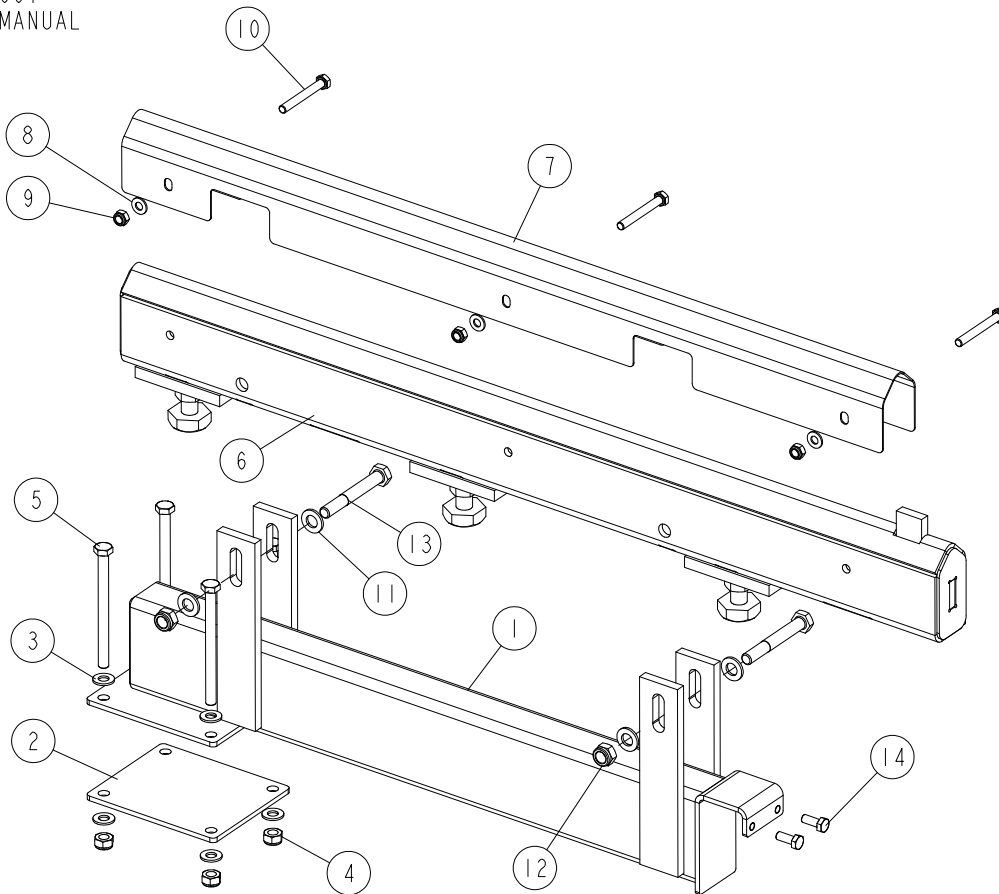
REF.	DESCRIPTION (◆ Indicates Parts Available in Assemblies Only)	PART #	QTY	
1	RAIL, DRIVEN LOG LEVELLING ROLLER MOUNT - "M" FRAME	100676	1	
2	COVER, STAINLESS STEEL	099124	1	
3	BOLT, M8X65-5.8 ZINC HEX HEAD	F81002-3	3	
4	NUT, M8-8-B HEX NYLON ZINC LOCK	F81032-2	3	
5	WASHER, 8.4 FLAT ZINC	F81054-1	3	

8 BED FRAME ASSEMBLY

Additional Angled Bed Rail (Long) - Complete

8.2 Additional Angled Bed Rail (Long) - Complete

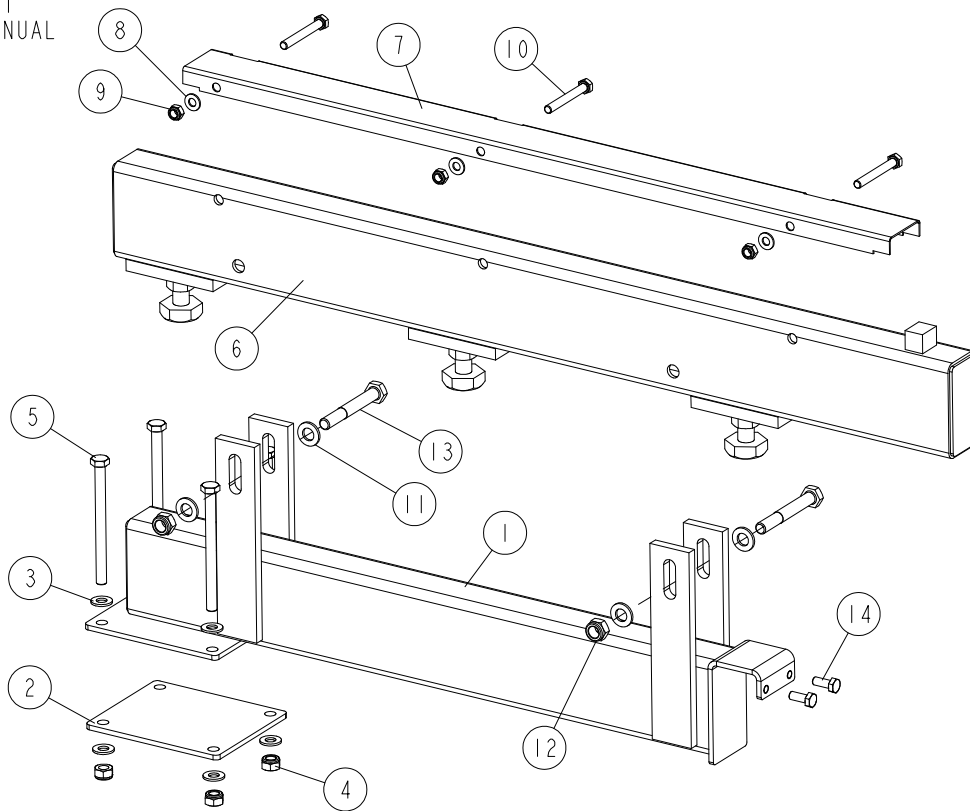
545592_001
545592_MANUAL



REF.	DESCRIPTION (◆ Indicates Parts Available in Assemblies Only)	PART #	QTY
-	ADDITIONAL ANGLED BED RAIL (LONG) - COMPLETE	545592	1
1	SUPPORT, ADDITIONAL BED RAIL	545591-1	1
2	PLATE, MOUNT	087055-1	1
3	WASHER, 10.5 FLAT ZINC	F81055-1	8
4	NUT, M10-8-B HEX NYLON ZINC LOCK	F81033-1	4
5	BOLT, M10X125 8.8 HEX HEAD ZINC	F81003-18	4
6	TUBE, ADDITIONAL BED RAIL	545589-1	1
7	COVER, ADDITIONAL BED RAIL	545594	1
8	WASHER, 8.4 FLAT ZINC F81054-1 16	F81054-1	3
9	NUT, M8-8-B HEX NYLON ZINC LOCK	F81032-2	3
10	BOLT, M8X65 8.8 HEX HEAD FULL THREAD ZINC	F81002-9	3
11	WASHER, 13 FLAT ZINC	F81056-1	4
12	NUT, M12 8 HEX NYLON ZINC LOCK	F81034-2	2
13	BOLT, M12X90 8.8 HEX HEAD ZINC	F81004-2	2
14	BOLT, M8 X 20-8.8-B HEX HEAD FULL THREAD ZINC	F81002-4	2

8.3 Additional Flat Bed Rail (Long) - Complete

545597_001
545597_MANUAL



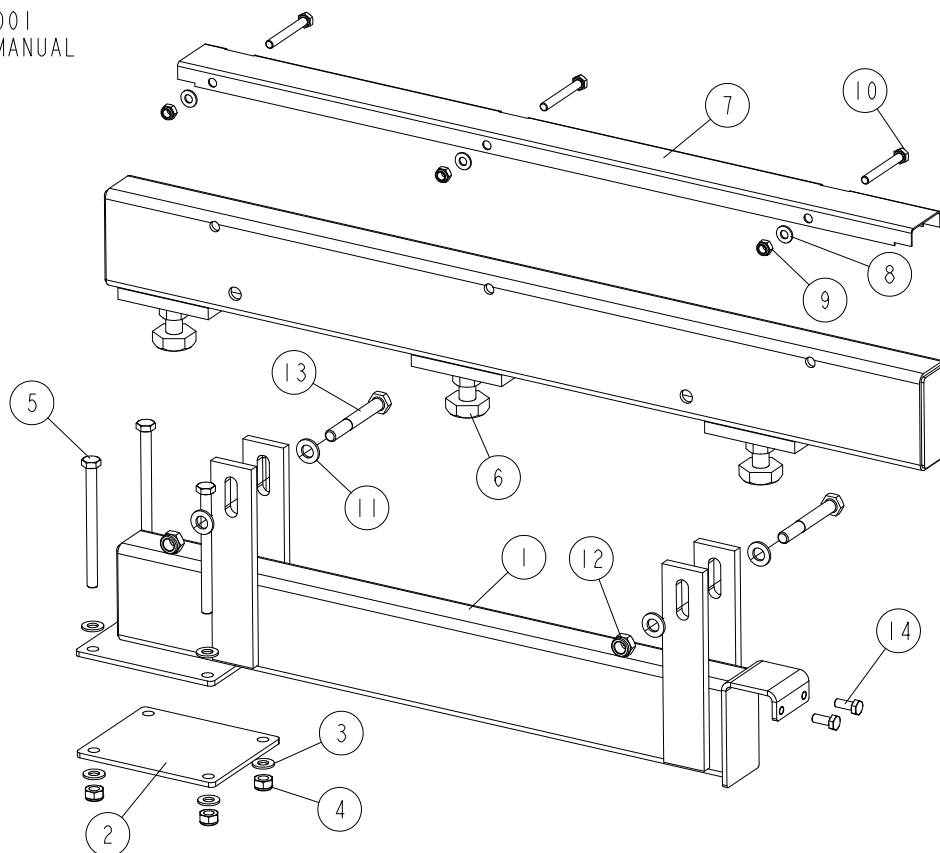
REF.	DESCRIPTION (◆ Indicates Parts Available in Assemblies Only)	PART #	QTY
-	ADDITIONAL FLAT BED RAIL (LONG) - COMPLETE	545597	1
1	SUPPORT, ADDITIONAL BED RAIL	545591-1	1
2	PLATE, MOUNT	087055-1	1
3	WASHER, 10.5 FLAT ZINC	F81055-1	8
4	NUT, M10-8-B HEX NYLON ZINC LOCK	F81033-1	4
5	BOLT, M10X125 8.8 HEX HEAD ZINC	F81003-18	4
6	TUBE, ADDITIONAL BED RAIL	545595-1	1
7	COVER, ADDITIONAL BED RAIL	099124	1
8	WASHER, 8.4 FLAT ZINC F81054-1 16	F81054-1	3
9	NUT, M8-8-B HEX NYLON ZINC LOCK	F81032-2	3
10	BOLT, M8X65 8.8 HEX HEAD FULL THREAD ZINC	F81002-9	3
11	WASHER, 13 FLAT ZINC	F81056-1	4
12	NUT, M12 8 HEX NYLON ZINC LOCK	F81034-2	2
13	BOLT, M12X90 8.8 HEX HEAD ZINC	F81004-2	2
14	BOLT, M8 X 20-8.8-B HEX HEAD FULL THREAD ZINC	F81002-4	2

8 BED FRAME ASSEMBLY

Additional Flat Bed Rail (Short) - Complete

8.4 Additional Flat Bed Rail (Short) - Complete

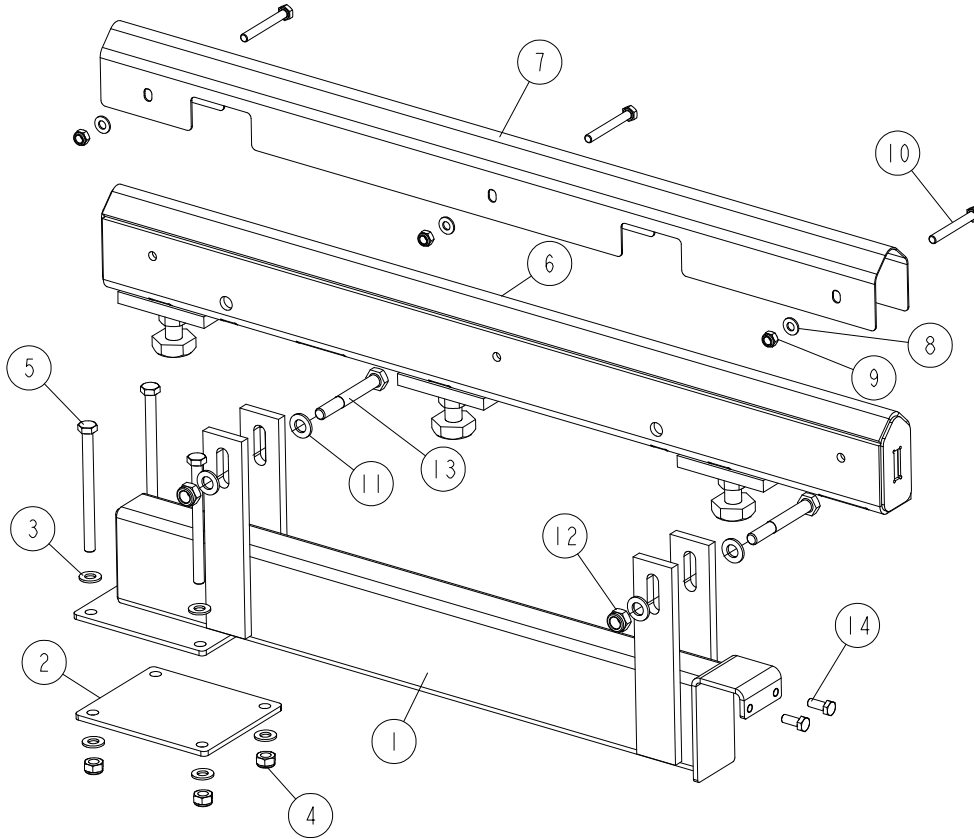
545645_001
545645_MANUAL



REF.	DESCRIPTION (◆ Indicates Parts Available in Assemblies Only)	PART #	QTY
-	ADDITIONAL FLAT BED RAIL (SHORT) - COMPLETE	545645	1
1	SUPPORT, ADDITIONAL BED RAIL	545591-1	1
2	PLATE, MOUNT	087055-1	1
3	WASHER, 10.5 FLAT ZINC	F81055-1	8
4	NUT, M10-8-B HEX NYLON ZINC LOCK	F81033-1	4
5	BOLT, M10X125 8.8 HEX HEAD ZINC	F81003-18	4
6	TUBE, ADDITIONAL BED RAIL	545643-1	1
7	COVER, ADDITIONAL BED RAIL	099124	1
8	WASHER, 8.4 FLAT ZINC F81054-1 16	F81054-1	3
9	NUT, M8-8-B HEX NYLON ZINC LOCK	F81032-2	3
10	BOLT, M8X65 8.8 HEX HEAD FULL THREAD ZINC	F81002-9	3
11	WASHER, 13 FLAT ZINC	F81056-1	4
12	NUT, M12 8 HEX NYLON ZINC LOCK	F81034-2	2
13	BOLT, M12X90 8.8 HEX HEAD ZINC	F81004-2	2
14	BOLT, M8 X 20-8.8-B HEX HEAD FULL THREAD ZINC	F81002-4	2

8.5 Additional Angled Bed Rail (Short) - Complete

545632_001
545632_MANUAL

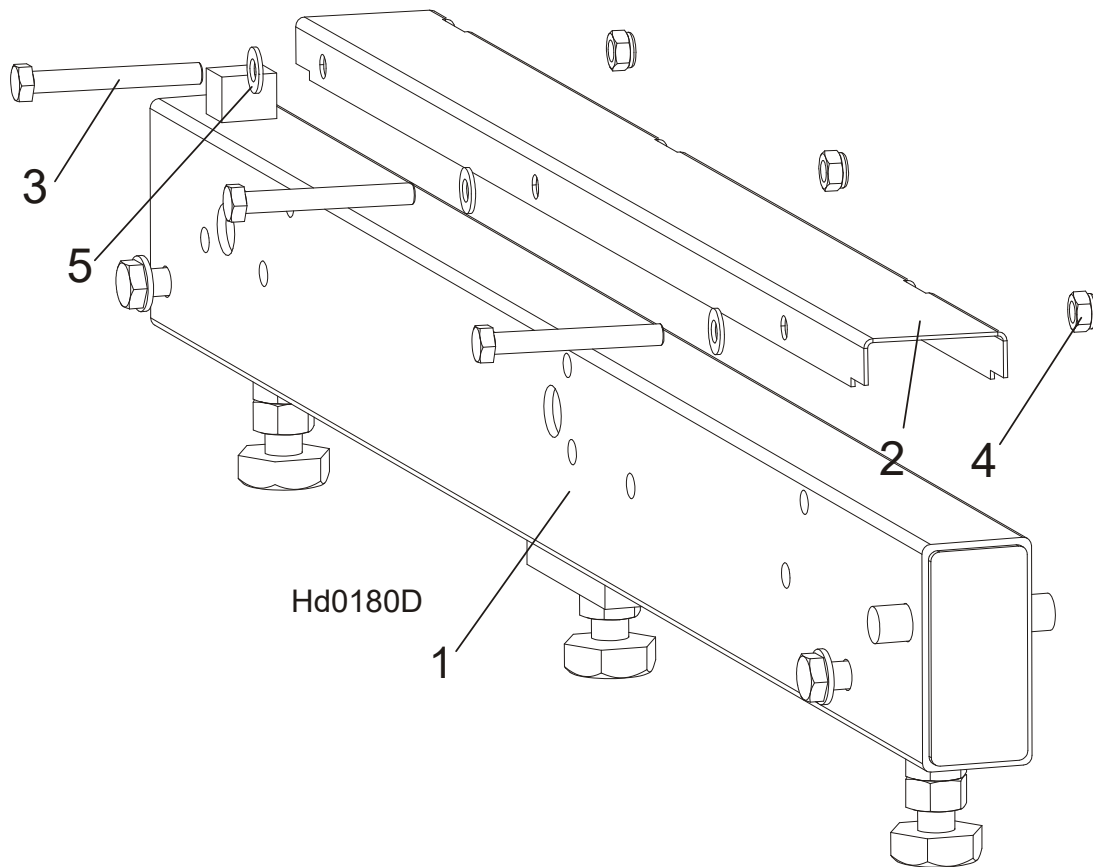


REF.	DESCRIPTION (◆ Indicates Parts Available in Assemblies Only)	PART #	QTY
-	ADDITIONAL ANGLED BED RAIL (SHORT) - COMPLETE	545632	1
1	SUPPORT, ADDITIONAL BED RAIL	545591-1	1
2	PLATE, MOUNT	087055-1	1
3	WASHER, 10.5 FLAT ZINC	F81055-1	8
4	NUT, M10-8-B HEX NYLON ZINC LOCK	F81033-1	4
5	BOLT, M10X125 8.8 HEX HEAD ZINC	F81003-18	4
6	TUBE, ADDITIONAL BED RAIL	545630-1	1
7	COVER, ADDITIONAL BED RAIL	545594	1
8	WASHER, 8.4 FLAT ZINC F81054-1 16	F81054-1	3
9	NUT, M8-8-B HEX NYLON ZINC LOCK	F81032-2	3
10	BOLT, M8X65 8.8 HEX HEAD FULL THREAD ZINC	F81002-9	3
11	WASHER, 13 FLAT ZINC	F81056-1	4
12	NUT, M12 8 HEX NYLON ZINC LOCK	F81034-2	2
13	BOLT, M12X90 8.8 HEX HEAD ZINC	F81004-2	2
14	BOLT, M8 X 20-8.8-B HEX HEAD FULL THREAD ZINC	F81002-4	2

8 BED FRAME ASSEMBLY

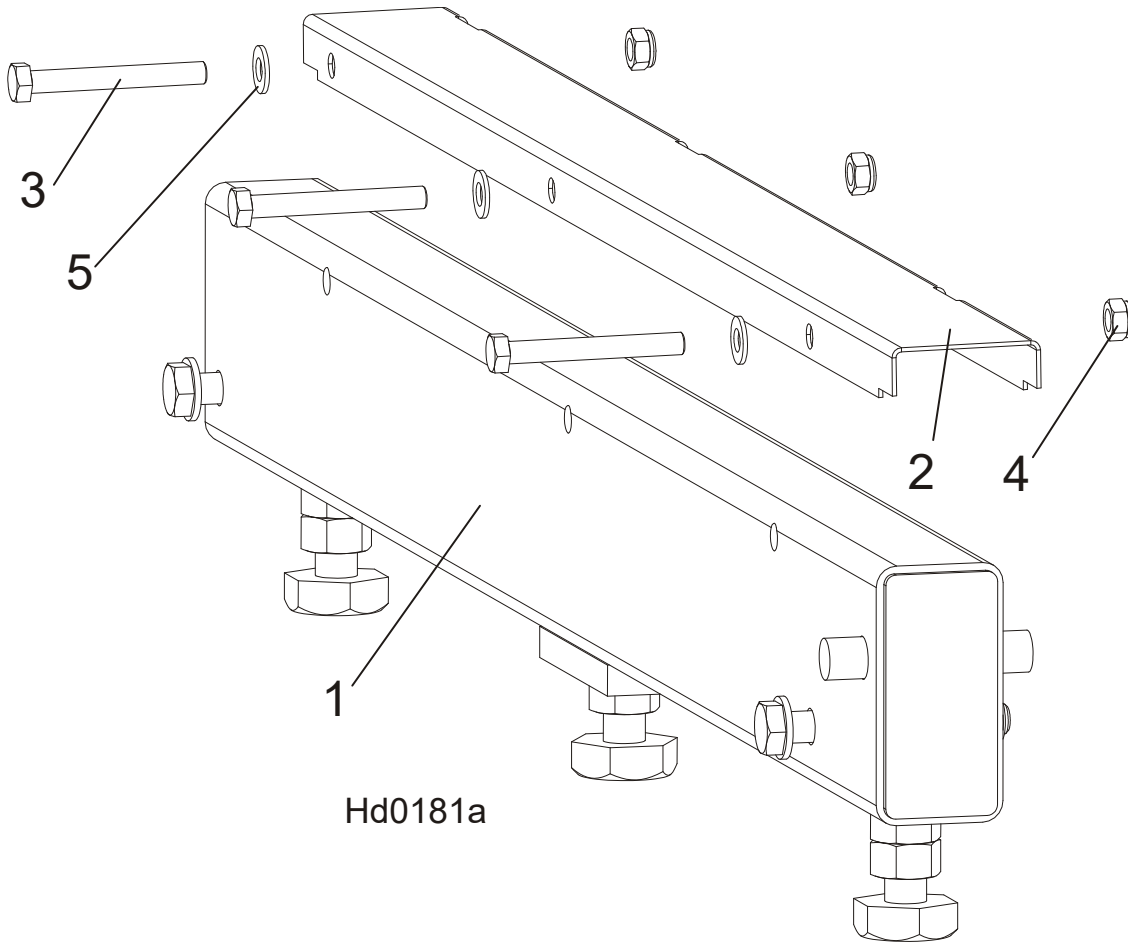
Rear Bed Rail Assembly

8.6 Rear Bed Rail Assembly



REF.	DESCRIPTION (◆ Indicates Parts Available in Assemblies Only)	PART #	QTY	
1	RAIL, BED - 1	091555	1	
2	COVER, STAINLESS STEEL	099124	1	
3	BOLT, M8X65-5.8 ZINC HEX HEAD	F81002-3	3	
4	NUT, M8-8-B HEX NYLON ZINC LOCK	F81032-2	3	
5	WASHER, 8.4 FLAT ZINC	F81054-1	3	

8.7 Front Middle Bed Rail Assembly



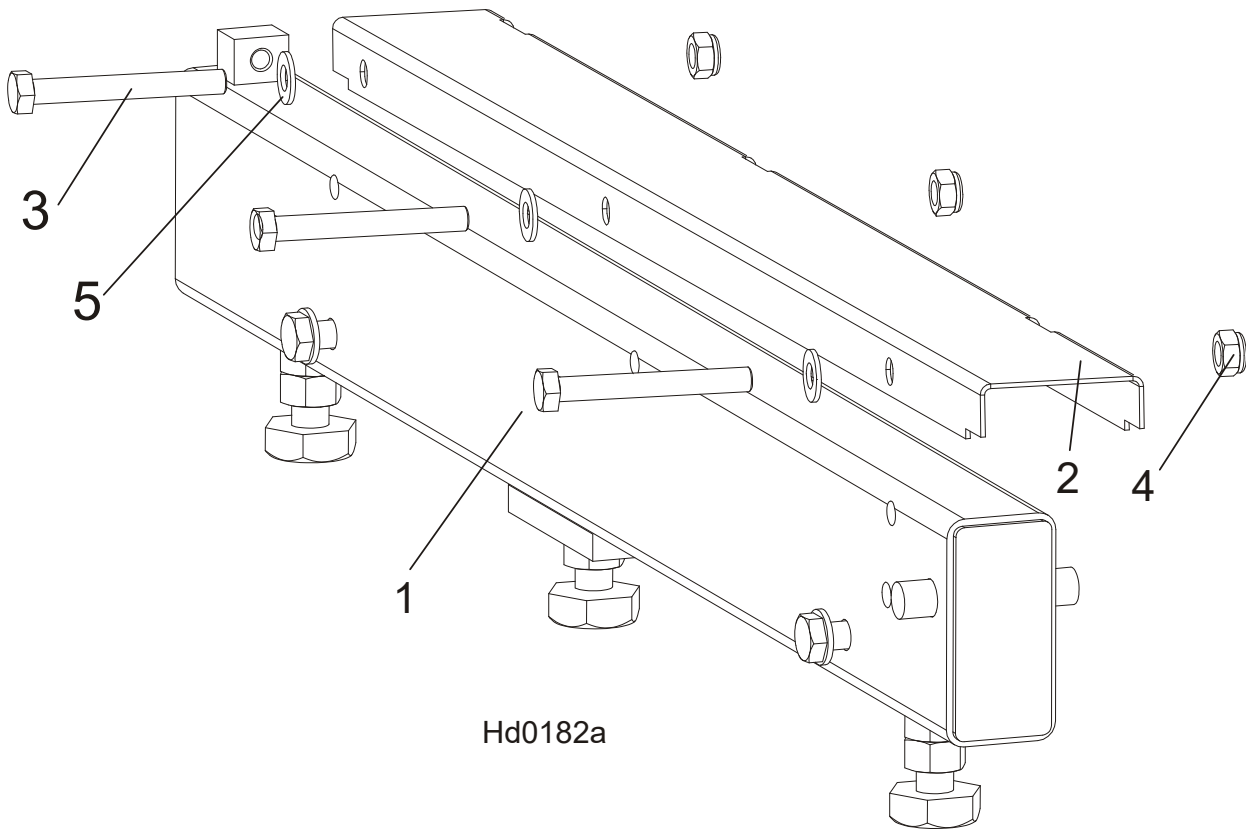
Hd0181a

REF.	DESCRIPTION (◆ Indicates Parts Available in Assemblies Only)	PART #	QTY
1	RAIL, BED - 2	091556	1
2	COVER, STAINLESS STEEL	099124	1
3	BOLT, M8X65-5.8 ZINC HEX HEAD	F81002-3	3
4	NUT, M8-8-B HEX NYLON ZINC LOCK	F81032-2	3
5	WASHER, 8.4 FLAT ZINC	F81054-1	3

8 BED FRAME ASSEMBLY

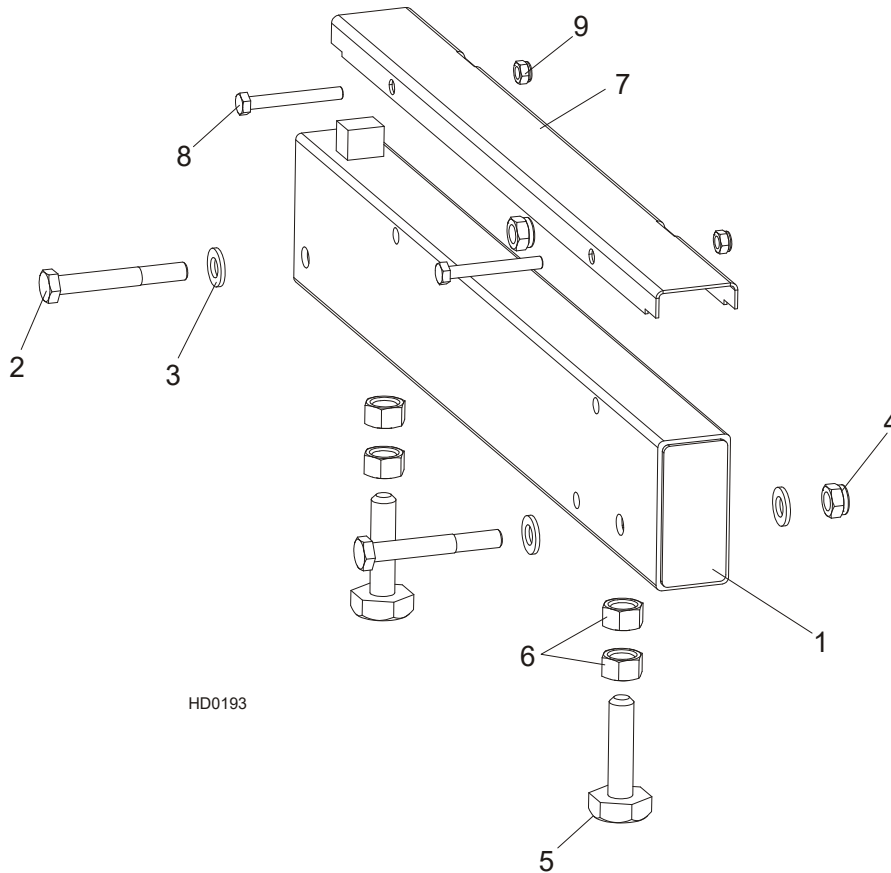
Rear Middle Bed Rail Assembly

8.8 Rear Middle Bed Rail Assembly



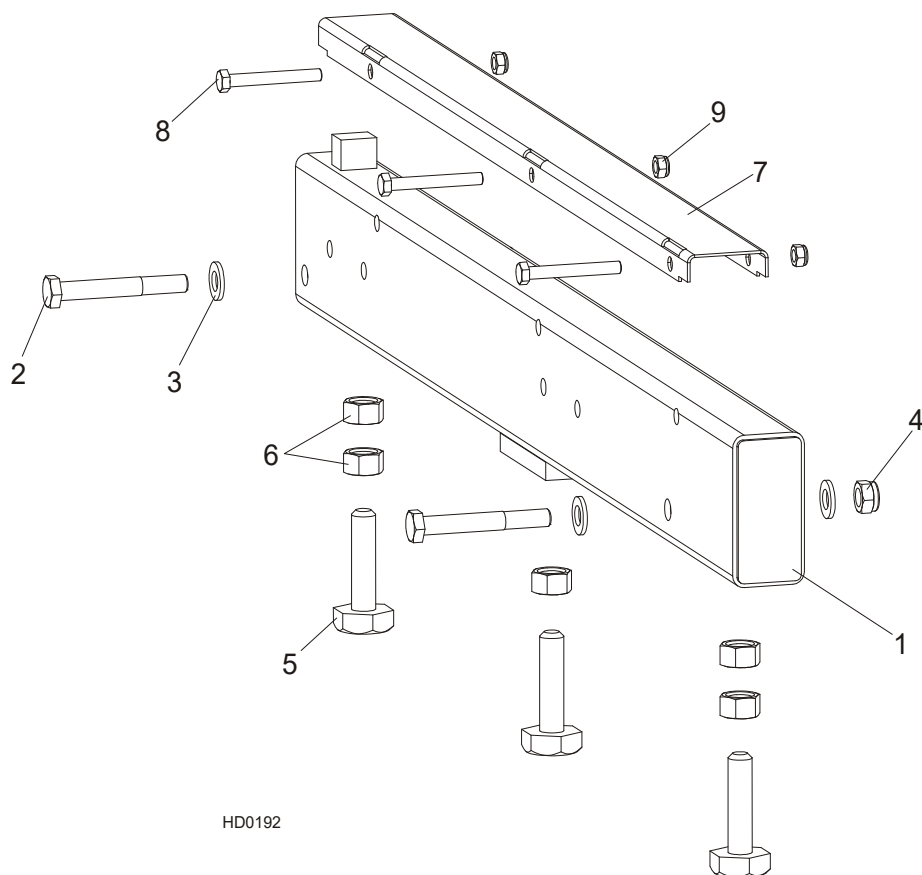
REF.	DESCRIPTION (◆ Indicates Parts Available in Assemblies Only)	PART #	QTY
1	RAIL, BED - 3	091557	1
2	COVER, STAINLESS STEEL	099124	1
3	BOLT, M8X65-5.8 ZINC HEX HEAD	F81002-3	3
4	NUT, M8-8-B HEX NYLON ZINC LOCK	F81032-2	3
5	WASHER, 8.4 FLAT ZINC	F81054-1	3

8.9 Bed Rail Assembly, Front (LT70M Super)



REF	DESCRIPTION (◆ Indicates Parts Available In Assemblies Only)	PART #	QTY.
1	ŁOŻE KŁODY PRZEDNIE - LT70M SUPER	095646	1
2	Bolt, M12 x 90-8.8 Hex Head	F81004-2	2
3	Washer, 13 SAE Flat	F81056-1	4
4	Nut, M12-8 Hex Nylon Lock	F81034-2	2
5	Bolt, M16 Bed Rail Adjustment	086809	2
6	Nut, M16-5-B Hex Head Zinc	F81036-5	4
7	COVER, 22.75 SS LT50 PIVOT	S13012 ¹	1
8	BOLT, M8X65-5.8 HEX HEAD ZINC	F81002-3	2
9	NUT, M8-8-B HEX NYLON ZINC LOCK	F81032-2	2

¹ Należy do zespołu 096477.

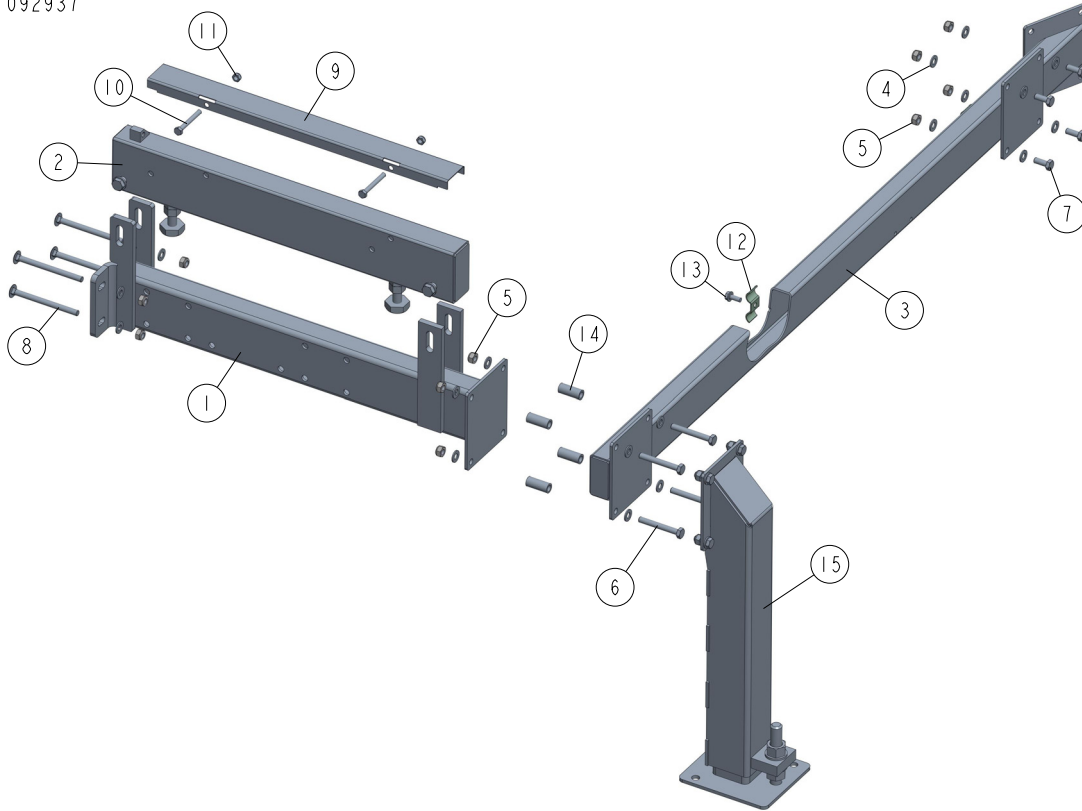
8.10 Bed Rail Assembly, Middle (LT70M Super)

REF	DESCRIPTION (◆ Indicates Parts Available In Assemblies Only)	PART #	QTY.
1	ŁOŻE ŚRODKOWE KŁODY - LT70M SUPER	096478	1(4)
	ŁOŻE ŚRODKOWE KŁODY Z OTWOREM - LT70M SUPER	096993	1
	ŁOŻE ŚRODKOWE KŁODY DO POWER ROLKI - LT70M SUPER	095650	1
2	Bolt, M12 x 90-8.8 Hex Head	F81004-2	2
3	Washer, 13 SAE Flat	F81056-1	4
4	Nut, M12-8 Hex Nylon Lock	F81034-2	2
5	Bolt, M16 Bed Rail Adjustment	086809	3
6	Nut, M16-5-B Hex Head Zinc	F81036-5	5
7	COVER, STAINLESS STEEL BED RAIL	S09944 ¹	1
8	BOLT, M8X65-5.8 HEX HEAD ZINC	F81002-3	3
9	NUT, M8-8-B HEX NYLON ZINC LOCK	F81032-2	3

¹ Należy do zespołu 096477.

8.11 Front Clamp Mount Assembly (A/DH5/7)

092937_001
092937



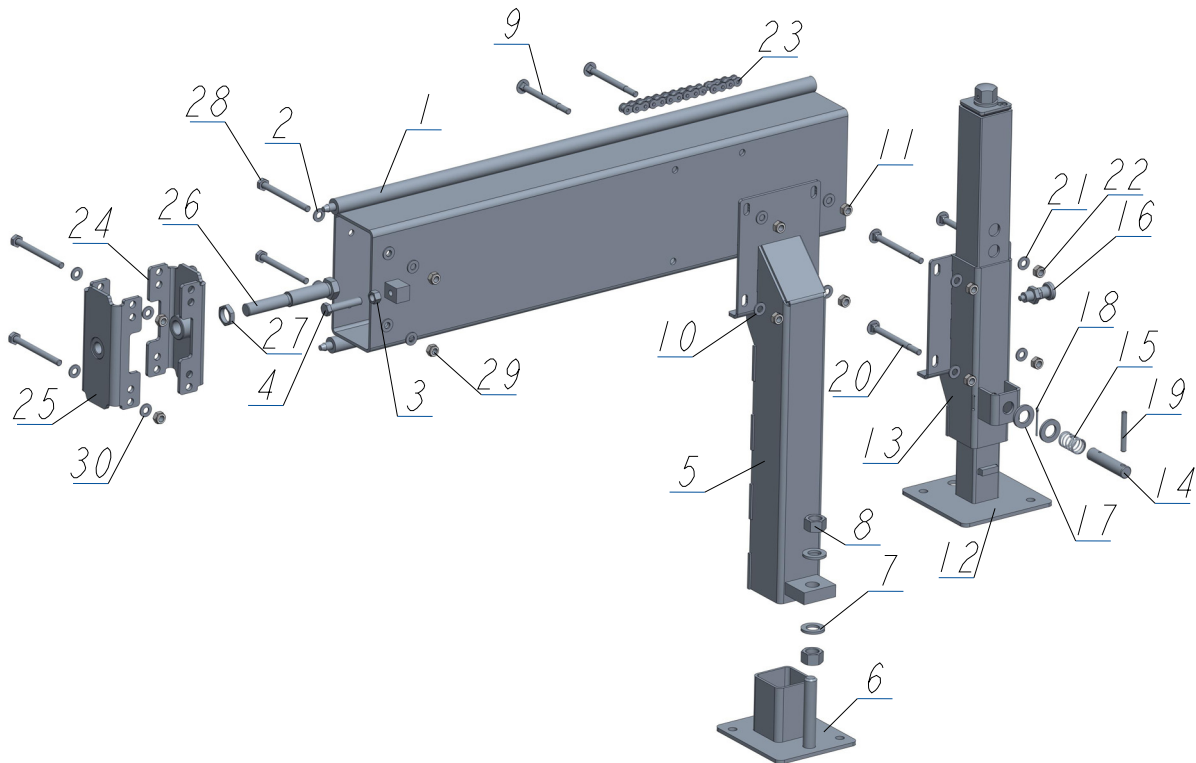
REF	DESCRIPTION (u indicates parts available in assemblies only)	PART #	QTY
-	CLAMP MOUNT ASSEMBLY - FRONT	092937	1
1	BED RAIL ASSEMBLY, FRONT	092903-1	1
2	RAIL, AH5/DH5 BED	095131-1	1
3	TUBE WELDMENT, BED FRONT	092904-1	1
4	WASHER, 10.5 FLAT ZINC	F81055-1	20
5	NUT, M10-8-B NYLON HEX ZINC LOCK	F81033-1	12
6	BOLT, M10X75-8.8 HEX HEAD ZINC	F81003-15	4
7	BOLT, M10X25-8.8 HEX HEAD FULL THREAD ZI	F81003-11	4
8	BOLT, M10X125 8.8 CARRIAGE ZINC	F81003-34	4
9	COVER, PIVOT BED RAIL	099123	1
10	BOLT, M8X65 5.8 HEX HEAD ZINC	F81002-3	2
11	NUT, M8-8-B HEX NYLON ZINC LOCK	F81032-2	2
12	PLATE, 1/4 HOSE CLAMP	S09245	2
13	BOLT, 5/16-18 X 3/4 SELF-TAPPING	F05015-30	2
14	BUSHING, ZINC-PLATED SPACER	095427-1	4
15	LEG, LEFT STATIONARY ADJUSTABLE	501639	1

8 BED FRAME ASSEMBLY

Bed Extension LT70 (0.9m) - Complete

8.12 Bed Extension LT70 (0.9m) - Complete

540139_70_001_B
540139_70_MANUAL



REF	DESCRIPTION (u indicates parts available in assemblies only)	PART #	QTY
-	EXTENSION, LT70 (0.9M) TRACK RAIL - COMP	540139-70	1
1	TUBE WELDMENT, 0.9M W/RODS	540138-1	1
2	WASHER, 10.5 FLAT ZINC	F81055-1	4
3	NUT, M12-8 ZINC	F81034-1	1
4	BOLT M12X60-8 HEX HEAD FULL THREAD ZINC	F81004-51	1
-	LEG, RIGHT ADJUSTABLE STATIONARY	501640	1
5	LEG, MAIN TUBE (HIGH)	507620-1	1
6	FOOT	586948-1	1
7	WASHER, 21 FLAT ZINC	F81059-2	2
8	NUT, M20-8 HEX ZINC	F81037-1	2
9	BOLT, M10X120 8.8 CARRIAGE ZINC	F81003-33	4
10	WASHER, 10.5 FLAT ZINC	F81055-1	4
11	NUT, M10-8-B NYLON HEX ZINC LOCK	F81033-1	4
-	LEG, COMPLETE FINE ADJUST OUTRIGGER	094584	1
12	FINE ADJUST OUTRIGGER LEG	093589	1
13	GUIDE, FINE ADJUST OUTRIGGER LEG	506114-1	1
14	PIN, OUTRIGGER PULL	087012-1	1
15	SPRING, ZINC	087040	1
16	PIN, DETENT	090197	1
17	WASHER, 21 FLAT ZINC	F81059-2	2

BED FRAME ASSEMBLY

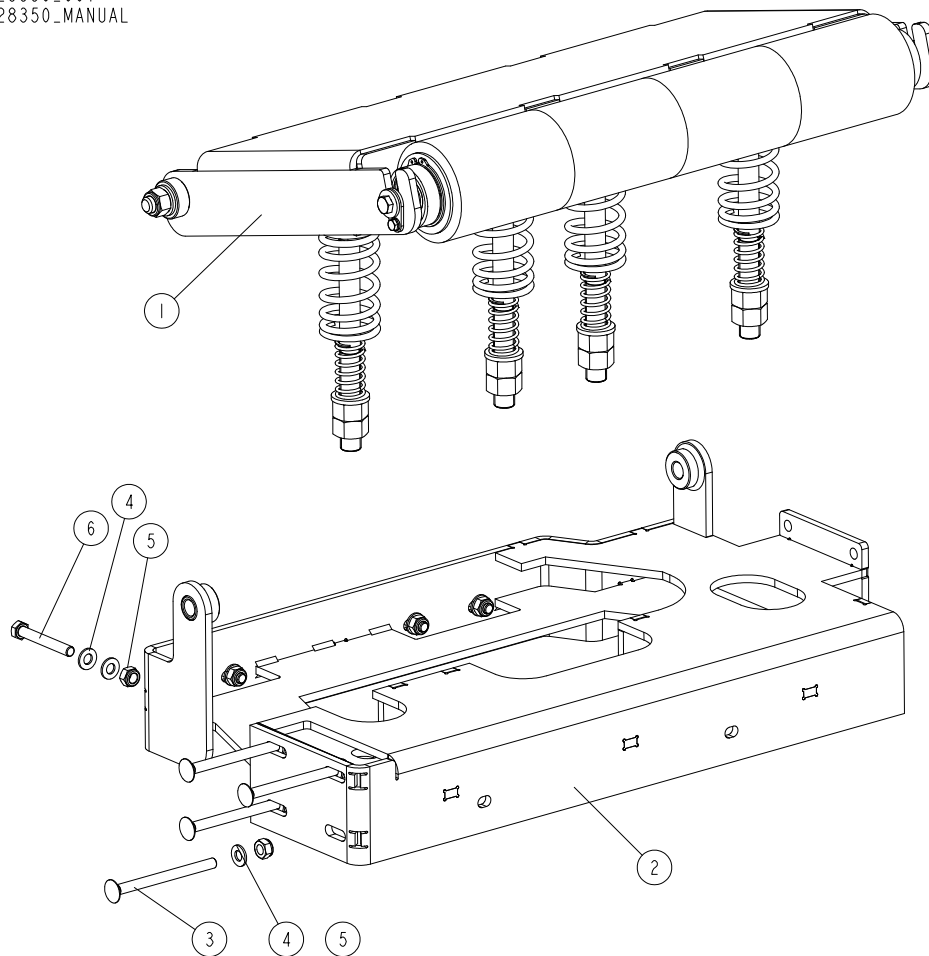
Bed Extension LT70 (0.9m) - Complete

8

REF	DESCRIPTION (u indicates parts available in assemblies only)	PART #	QTY	
18	PIN, S-ZN 4X25 COTTER	F81043-2	1	
19	PIN 8X65 ROLL	F81046-1	1	
20	BOLT, M10X120 8.8 CARRIAGE ZINC	F81003-33	4	
21	WASHER, 10.5 FLAT ZINC	F81055-1	4	
22	NUT, M10-8-B NYLON HEX ZINC LOCK	F81033-1	4	
23	CHAIN, 0.9M LT70	540147	1	
-	BRACE KIT BX	501340	1	
24	CONNECTOR, BX (M24) - WLDMT/PTD	500989-1	1	
25	CONNECTOR, BX (M20) - WLDMT/PTD.	501339-1	1	
26	BOLT, ZINC SPECIAL	087188-1	1	
27	NUT, M24X2 ZINC SPECIAL	087626-1	1	
28	BOLT, M10 X 115-8.8 HEX HEAD ZINC	F81003-19	4	
29	NUT, M10-8-B NYLON HEX ZINC LOCK	F81033-1	4	
30	WASHER, 10.5 FLAT ZINC	F81055-1	8	

8.13 Board Removal Bumper, "M" Frame (No. 528350)

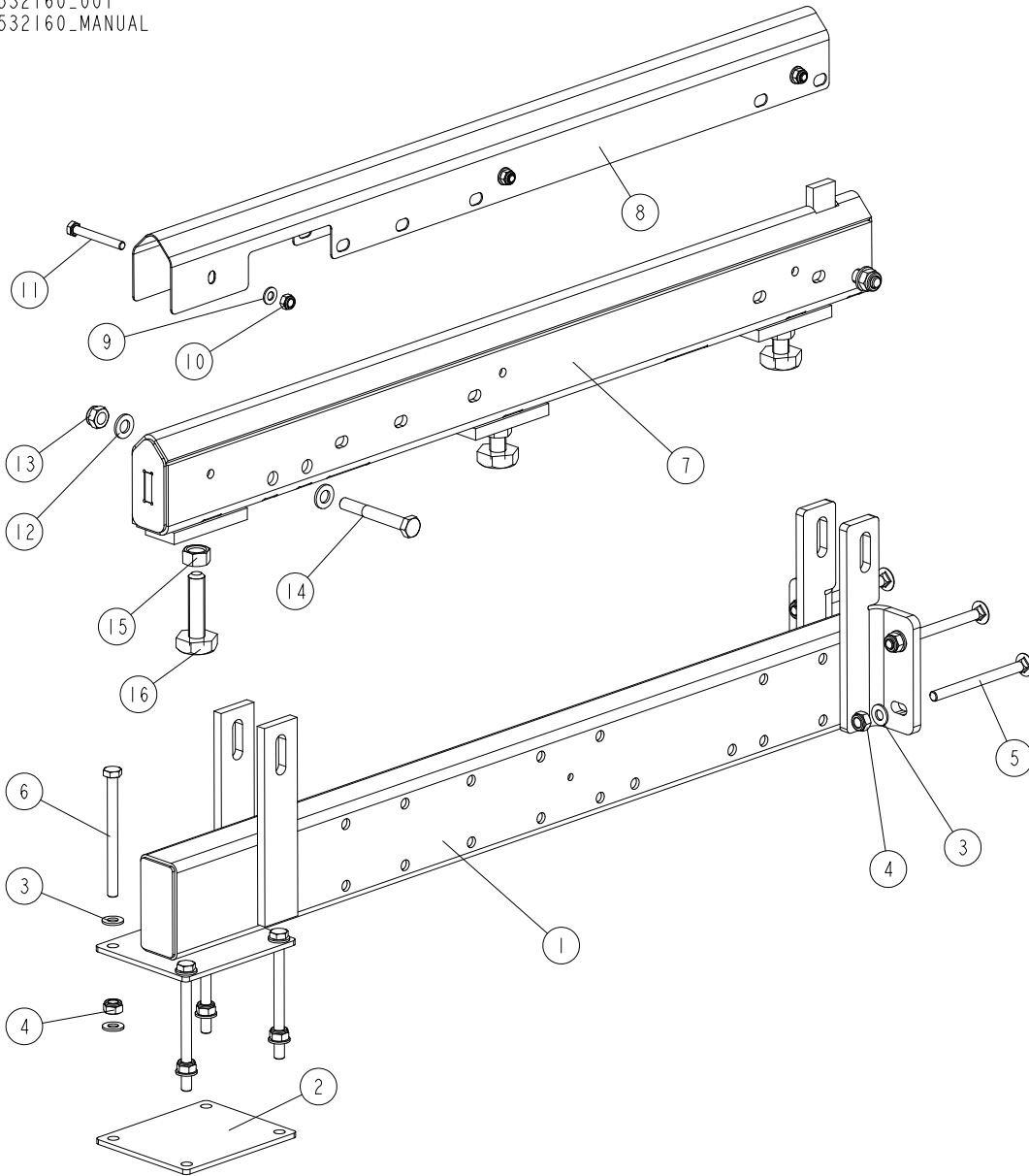
528350_001
528350_MANUAL



REF.	DESCRIPTION (◆ Indicates Parts Available in Assemblies Only)	PART #	QTY
	BUMPER, BOARD REMOVAL - COMPLETE (FOR M FRAME)	528350	1
1	ROLLER, BOARD REMOVAL BUMPER (M/S FRAME)	527049	1
2	FRAME, BOARD REMOVAL BUMPER	529773-1	1
3	BOLT, M10X125 8.8 CARRIAGE ZINC	F81003-34	4
4	WASHER, 10.5 FLAT ZINC	F81055-1	12
5	NUT, M10-8-B HEX NYLON ZINC LOCK	F81033-1	8
6	BOLT, M10X75-8.8 HEX HEAD ZINC	F81003-15	4

8.14 Angled Bed Rail ("S" Type Frame)

532160_001
 532160_MANUAL



REF.	DESCRIPTION (◆ Indicates Parts Available in Assemblies Only)	PART #	QTY
-	RAIL, "S" TYPE FRAME ADDITIONAL ANGLED - COMPLETE	532160	1
1	TUBE, ADDITIONAL BED RAIL SUPPORT ("S" FRAME)	531249-1	1
2	PLATE, MOUNT	087055-1	1
3	WASHER, 10.5 FLAT ZINC	F81055-1	12
4	NUT, M10-8-B HEX NYLON ZINC LOCK	F81033-1	8
5	BOLT, M10X125 8.8 CARRIAGE ZINC	F81003-34	4
6	BOLT, M10X125 8.8 HEX HEAD ZINC	F81003-18	4
7	RAIL, ADJUSTABLE ANGLED	521930	1
8	COVER, BED RAIL ("M-SUPER" & "L" FRAMES)	522979	1
9	WASHER, 8.4 FLAT ZINC	F81054-1	3



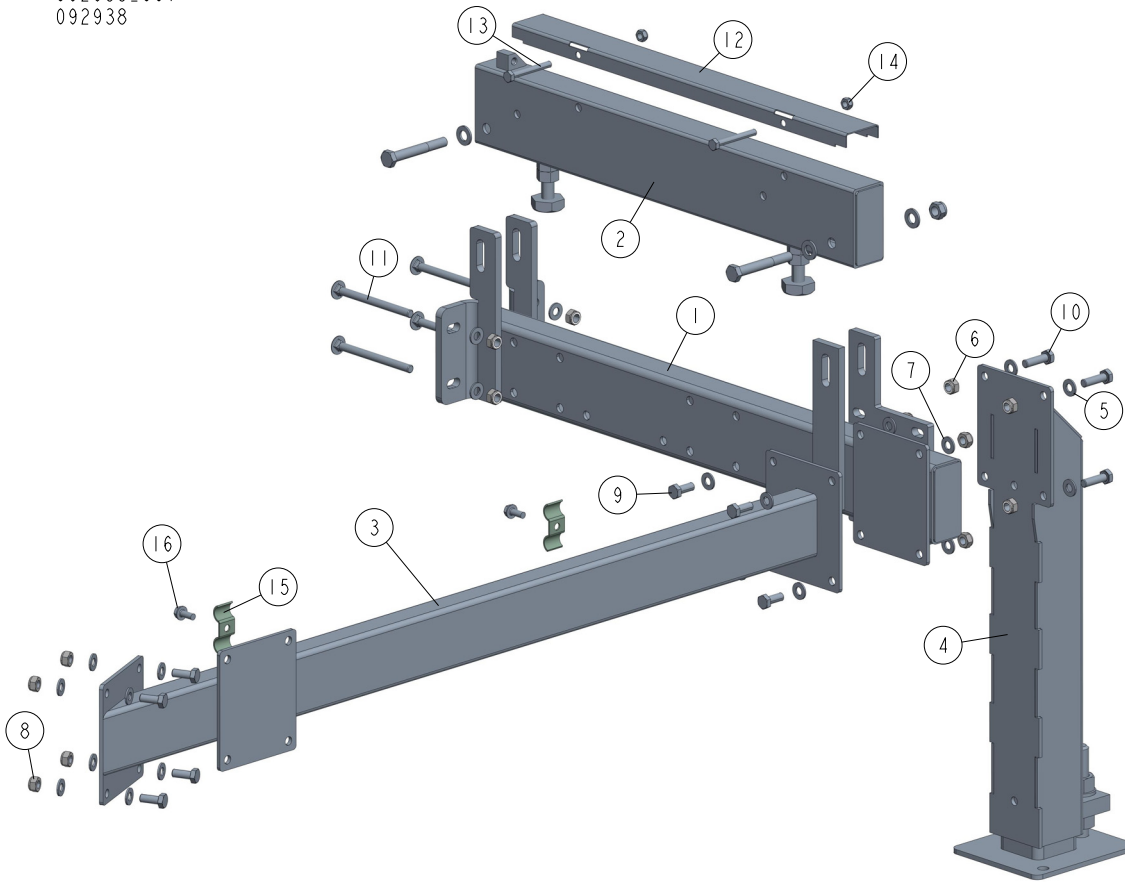
BED FRAME ASSEMBLY

Angled Bed Rail ("S" Type Frame)

REF.	DESCRIPTION (◆ Indicates Parts Available in Assemblies Only)	PART #	QTY	
10	NUT, M8-8-B HEX NYLON ZINC LOCK	F81032-2	3	
11	BOLT, M8X65 8.8 HEX HEAD FULL THREAD ZINC	F81002-9	3	
12	WASHER, 13 FLAT ZINC	F81056-1	4	
13	NUT, M12 8 HEX NYLON ZINC LOCK	F81034-2	2	
14	BOLT, M12X90 8.8 HEX HEAD ZINC	F81004-2	2	
-	BOLT W/NUT (M16 BOLT & NUT)	516629	3	
15	NUT, M16 5.8 HEX	F81036-5	1	
16	BOLT, M16	505006	1	

8.15 Clamp Mount Rear (A/DH5/7)

092938_001
092938



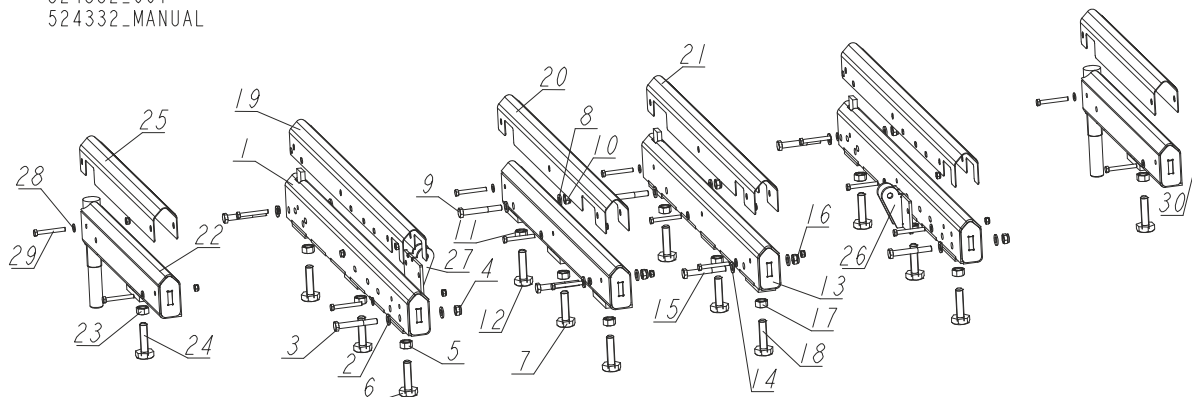
REF	DESCRIPTION (u indicates parts available in assemblies only)	PART #	QTY
-	CLAMP MOUNT ASSEMBLY - REAR	092938	1
1	BED RAIL ASSEMBLY, REAR	092902-1	1
2	RAIL, AH5/DH5 BED	095131-1	1
3	TUBE WELDMENT, BED REAR	092907-1	1
-	LEG, LEFT STATIONARY ADJUSTABLE	501639	1
4	TUBE WELDMENT, ADJUSTABLE LEG	507715-1	1
5	WASHER, 10.5 FLAT ZINC	F81055-1	4
6	NUT, M10-8-B NYLON HEX ZINC LOCK	F81033-1	4
7	WASHER, 10.5 FLAT ZINC	F81055-1	20
8	NUT, M10-8-B NYLON HEX ZINC LOCK	F81033-1	12
9	BOLT, M10X25-8.8 HEX HEAD FULL THREAD ZI	F81003-11	8
10	BOLT, M10X35 - 8.8 HEX HEAD FULL THREAD	F81003-17	4
11	BOLT, M10X125 8.8 CARRIAGE ZINC	F81003-34	4
12	COVER, PIVOT BED RAIL	099123	1
13	BOLT, M8X65 5.8 HEX HEAD ZINC	F81002-3	2
14	NUT, M8-8-B HEX NYLON ZINC LOCK	F81032-2	2
15	PLATE, 1/4 HOSE CLAMP	S09245	2
16	BOLT, 5/16-18 X 3/4 SELF-TAPPING	F05015-30	2

8 BED FRAME ASSEMBLY

Angled Bed Rails, "M" Frame

8.16 Angled Bed Rails, "M" Frame

524332_001
524332_MANUAL



REF	DESCRIPTION (◆ indicates parts available in assemblies only)	PART #	QTY
-	RAIL SET, ANGLED BED - "M" FRAME	524332	1
1	RAIL, BED ADJUSTABLE (1 & 4)	520978-1	2
2	WASHER, 13 FLAT ZINC	F81056-1	4
3	BOLT, M12X90-8.8 HEX HEAD ZINC	F81004-2	2
4	NUT, M12 8 HEX NYLON ZINC LOCK	F81034-2	2
-	M16 BOLT W/NUT	516629	3
5	NUT, M16 5.8 HEX	F81036-5	1
6	BOLT, BED RAIL ADJUSTMENT	505006	1
7	RAIL, BED ADJUSTABLE L=849	520970-1	1
8	WASHER, 13 FLAT ZINC	F81056-1	4
9	BOLT, M12X90-8.8 HEX HEAD ZINC	F81004-2	2
10	NUT, M12 8 HEX NYLON ZINC LOCK	F81034-2	2
-	M16 BOLT W/NUT	516629	3
11	NUT, M16 5.8 HEX	F81036-5	1
12	BOLT, BED RAIL ADJUSTMENT	505006	1
13	RAIL, BED ADJUSTABLE (3)	520974-1	1
14	WASHER, 13 FLAT ZINC	F81056-1	4
15	BOLT, M12X90-8.8 HEX HEAD ZINC	F81004-2	2
16	NUT, M12 8 HEX NYLON ZINC LOCK	F81034-2	2
-	M16 BOLT W/NUT	516629	3
17	NUT, M16 5.8 HEX	F81036-5	1
18	BOLT, BED RAIL ADJUSTMENT	505006	1
19	COVER, BED RAIL	520903	2
20	COVER, MIDDLE BED RAIL - LEFT	521598	1
21	COVER, BED RAIL - RIGHT MIDDLE	521597	1
22	RAIL, BED PIVOT	521595-1	2
-	M16 BOLT & 2 NUTS	093710	1
23	NUT, M16 5.8 HEX	F81036-5	2
24	BOLT, BED RAIL ADJUSTMENT	505006	1
25	COVER, M & S FRAME BED RAIL	520355	2
26	BRACKET, ROLLER MOUNT - LEFT (ANGLED BED RAIL)	524350-1	1

BED FRAME ASSEMBLY

Angled Bed Rails, "M" Frame

8

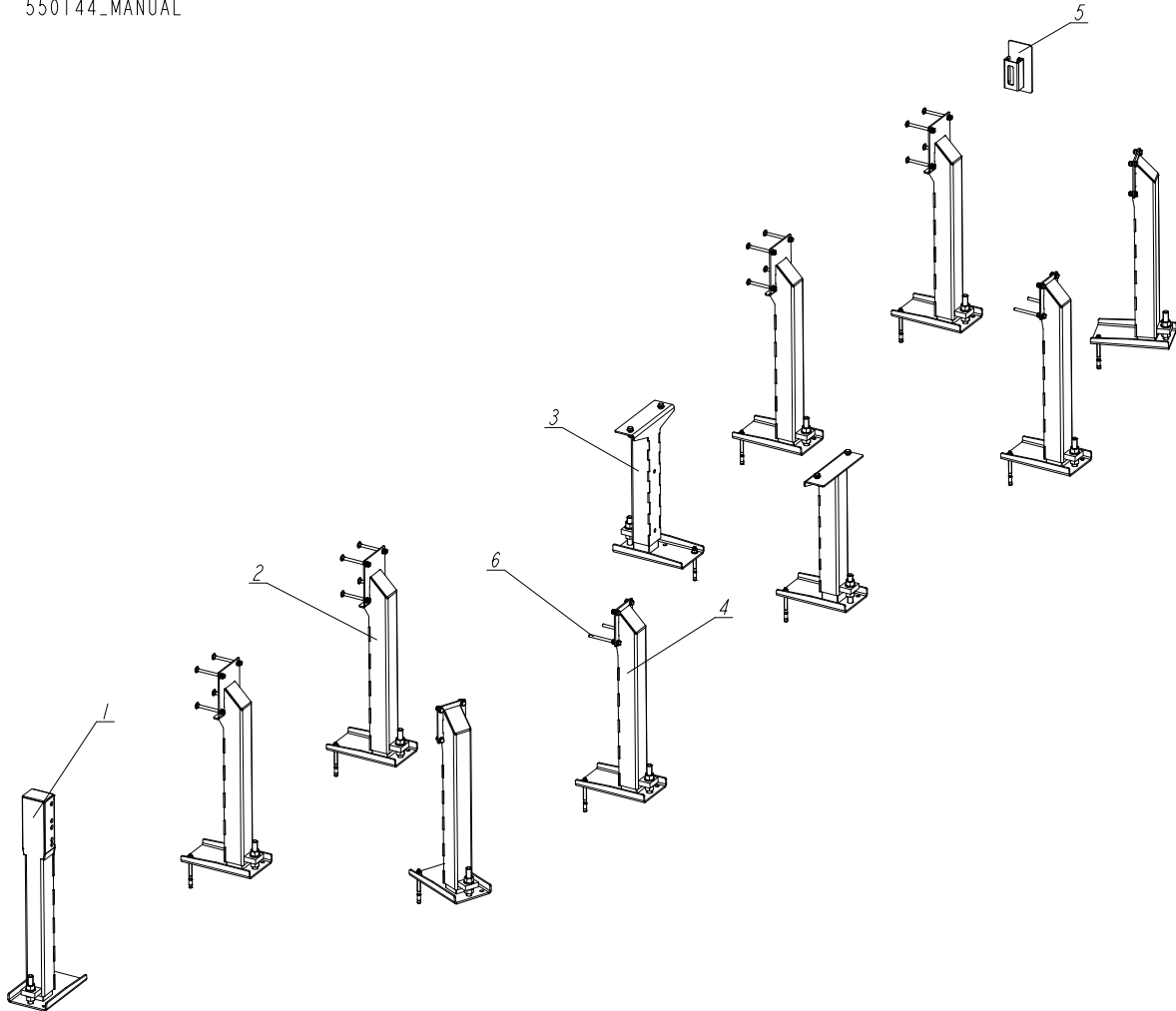
REF	DESCRIPTION (◆ indicates parts available in assemblies only)	PART #	QTY	
27	BRACKET, ROLLER MOUNT - RIGHT (ANGLED BED RAIL)	524348-1	1	
28	WASHER, 8.4 FLAT ZINC	F81054-1	16	
29	BOLT, M8X65 5.8 HEX HEAD ZINC	F81002-3	16	
30	NUT, M8-8-B HEX NYLON ZINC LOCK	F81032-2	16	

8 BED FRAME ASSEMBLY

Stationary Legs, "M" Frame

8.17 Stationary Legs, "M" Frame

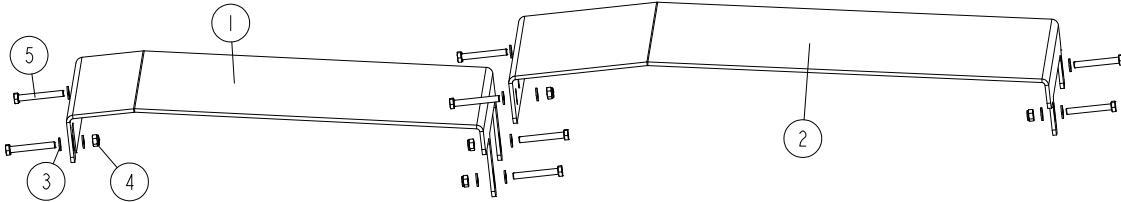
550144_001
550144_MANUAL



REF	DESCRIPTION (u indicates parts available in assemblies only)	PART #	QTY
-	STATIONARY LEGS, ADJUSTABLE - "M" FRAME	550144	1
1	LEG, FRONT STATIONARY ADJUSTABLE SEE SECTION 8.49	550138	1
2	LEG, MAIN TUBE HIGH SEE SECTION 8.50	550134	4
3	LEG, MIDDLE STATIONARY ADJUSTABLE SEE SECTION 8.51	550126	2
4	LEG, LEFT STATIONARY ADJUSTABLE SEE SECTION 8.52	550130	4
5	COVER ASSEMBLY, MAIN TUBE SEE SECTION 8.51	093052	1
6	BOLT, M10X125-8.8 HEX HEAD ZINC	F81003-18	4

8.18 Plate Set, M Type Frame Bed Rail 1-2 & 2-3 (Option)

525065_001
525065_MANUAL



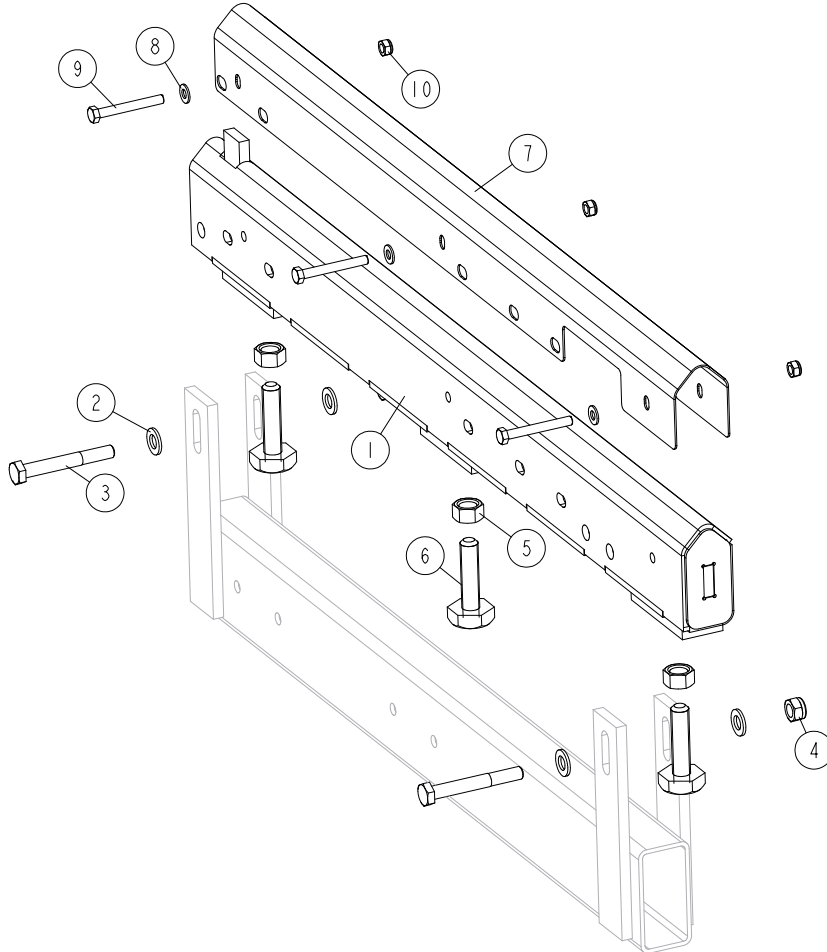
REF.	DESCRIPTION (◆ Indicates Parts Available in Assemblies Only)	PART#	QTY
-	PLATE SET, M TYPE FRAME BED RAIL 1-2 & 2-3	525065	1
1	TABLE PLATE, BED RAIL 1-2	525064-1	1
2	TABLE PLATE, BED RAIL 2-3	523804-1	1
3	WASHER, 10.5 FLAT ZINC	F81055-1	16
4	NUT, M10-8-B HEX NYLON ZINC LOCK	F81033-1	8
5	BOLT, M10X75-8.8 HEX HEAD ZINC	F81003-15	8

8 BED FRAME ASSEMBLY

Angled Bed Rails for "L" Frame

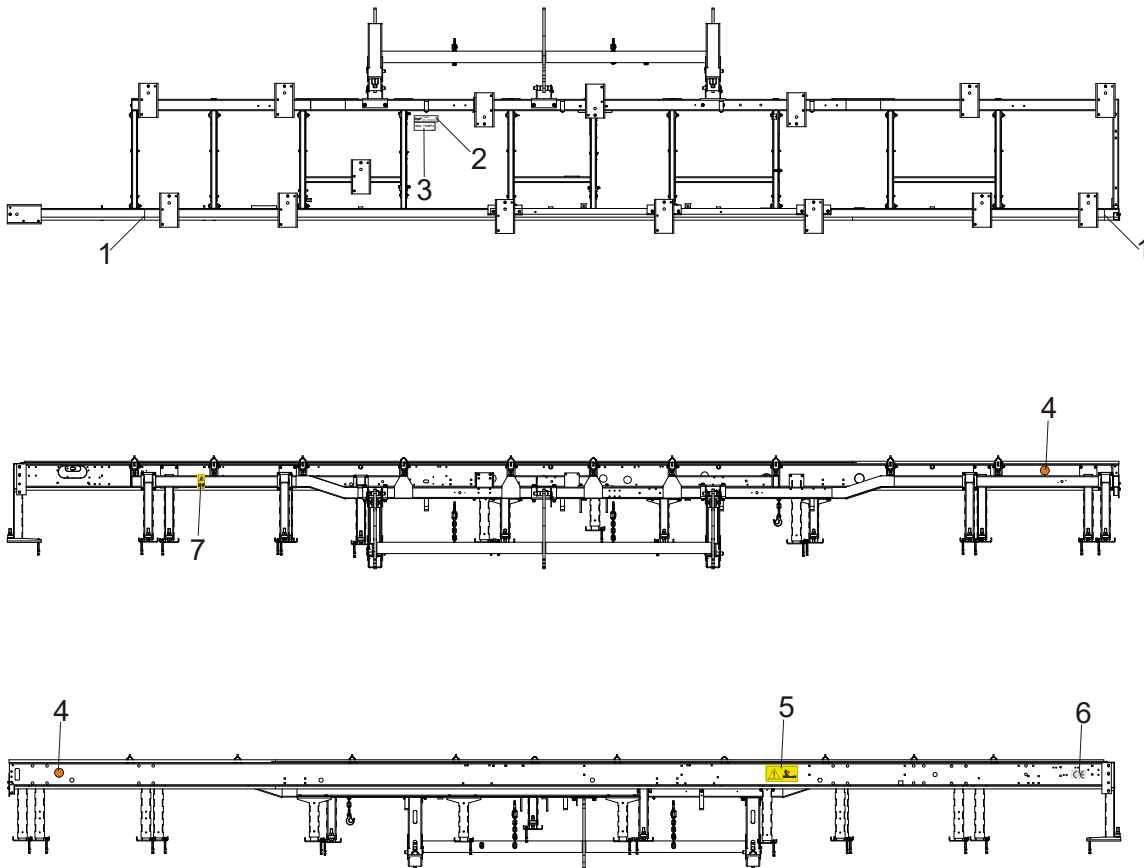
8.19 Angled Bed Rails for "L" Frame

568330_001
568330



REF	DESCRIPTION (u indicates parts available in assemblies only)	PART #	QTY
1	RAIL, ADJUSTABLE ANGLED	521930	1
2	WASHER, 13 FLAT ZINC	F81056-1	4
3	BOLT, M12X90 8.8 HEX HEAD ZINC	F81004-2	2
4	NUT, M12-8 HEX NYLON ZINC LOCK	F81034-2	2
-	M16 BOLT W/NUT	516629	3
5	NUT, M16 5.8 HEX ZINC	F81036-5	1
6	BOLT, M16 BED RAIL ADJUSTMENT	505006	1
7	COVER, BED RAIL ("M-SUPER" & "L" FRAMES)	522979	1
8	WASHER, 8,4-FLAT ZINC	F81054-1	3
9	BOLT, M8X65-5,8 HEX HEAD ZINC	F81002-3	3
10	NUT, M8-8-B HEX NYLON ZINC LOCK	F81032-2	3

8.20 Bed Frame Decals

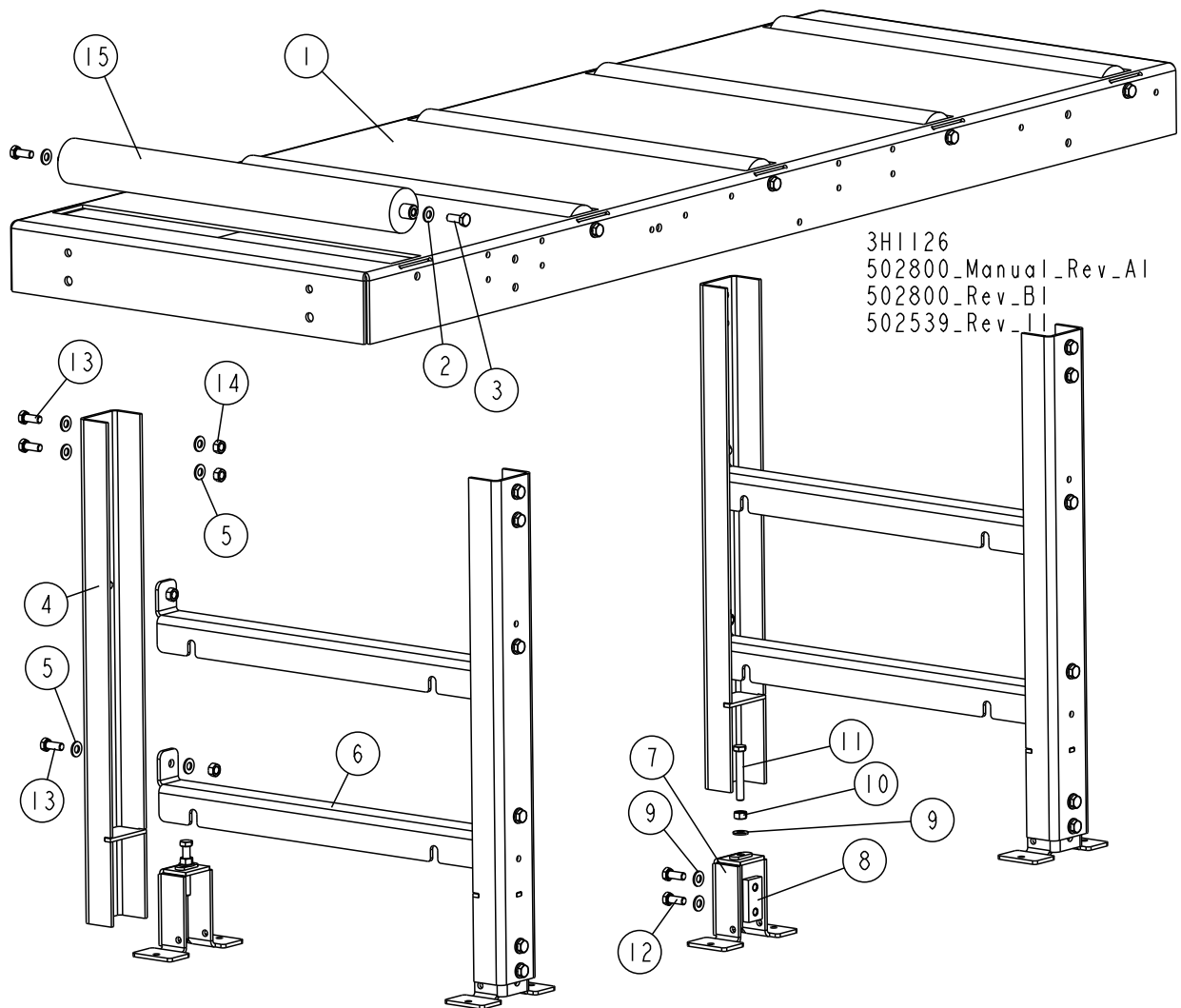


REF.	DESCRIPTION (◆ Indicates Parts Available in Assemblies Only)	PART #	QTY	
1	DECAL, LOG LENGTH LIMIT	S12051	2	
2	DECAL, HYDRAULIC OIL TYPE	096323	1	
3	DECAL, HYDRAULIC WORKING PRESSURE	099524	1	
4	DECAL, REFLECTOR, 2 DIA YELLOW	P07453	2	
5	DECAL, SAWMILL TRAILER CAUTION (PICTOGRAM)	099542	1	
6	DECAL, CE CERTIFIED SAWMILL, SMALL	P85070	1	
7	DECAL, KEEP AWAY DANGER (PICTOGRAM)	099221	1	

8 BED FRAME ASSEMBLY

M Frame Long Table

8.21 M Frame Long Table



REF.	DESCRIPTION (◆ Indicates Parts Available in Assemblies Only)	PART #	QTY
	TABLE, M FRAME LONG	502539	1
1	TOP, TABLE	512488-1	1
2	WASHER, 10.5 FLAT ZINC	F81055-1	10
3	BOLT, M10X25 8.8 HEX HEAD FULL THREAD ZINC	F81003-11	10
	LEG, TABLE - COMPLETE	501974	2
4	LEG, TABLE	501976	2
5	WASHER, 10.5 FLAT ZINC	F81055-1	15
6	CROSS-BAR, TABLE	500074-1	2
	COMPLETE ADJUSTABLE LEG FOOT	101014	2
7	FOOT, LEG ADJUSTABLE	101022-1	1
8	PLATE, M10 CLAMPING ZINC-PLATED	101242-1	1
9	WASHER, 10.5 FLAT ZINC	F81055-1	3
10	NUT, M10 8 HEX ZINC	F81033-3	1
11	BOLT, M10X70 8.8 HEX HEAD FULL THREAD ZINC	F81003-20	1
12	BOLT, M10X25 8.8 HEX HEAD FULL THREAD ZINC	F81003-11	2

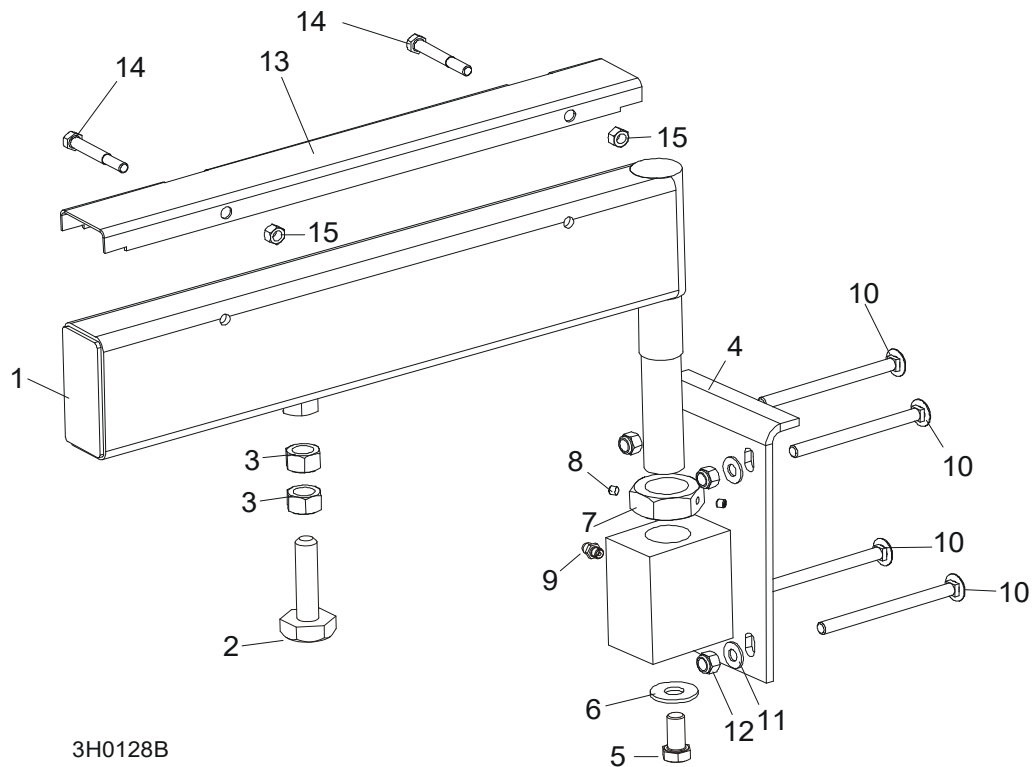
BED FRAME ASSEMBLY

M Frame Long Table



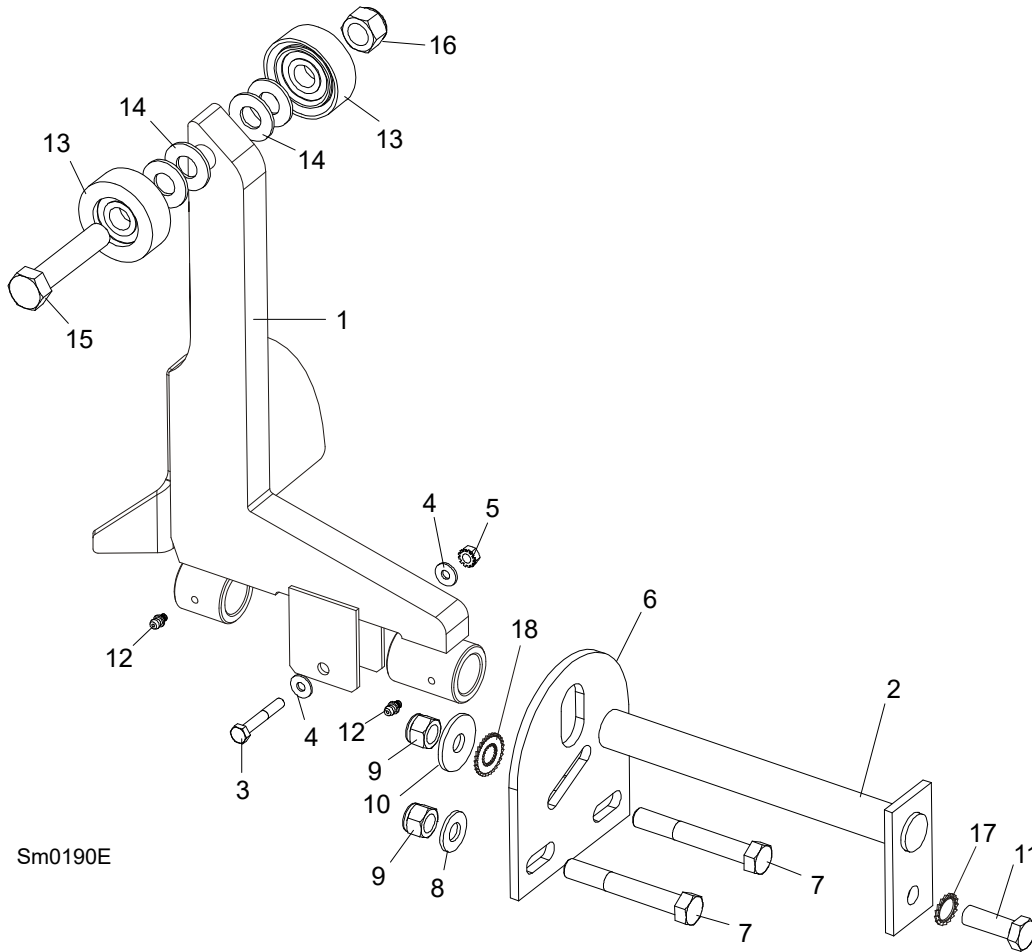
REF.	DESCRIPTION (◆ Indicates Parts Available in Assemblies Only)	PART #	QTY	
13	BOLT, M10X25 8.8 HEX HEAD FULL THREAD ZINC	F81003-11	8	
14	NUT, M10 8 HEX ZINC	F81033-3	8	
15	ROLLER, 63.5/20X590	501090-1	5	

8.22 Pivot Bed Rail Assembly



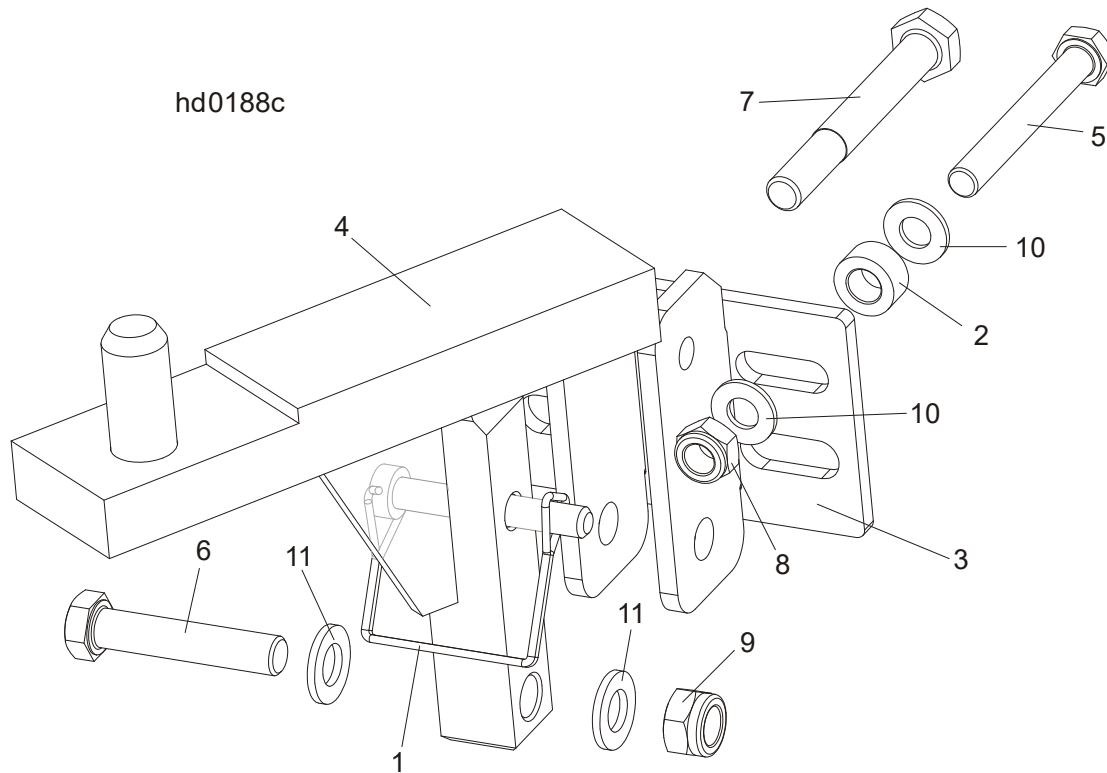
REF.	DESCRIPTION (◆ Indicates Parts Available In Assemblies Only)	PART #	QTY
	PIVOT BED RAIL ASSEMBLY ()	087829	2
	PIVOT BED RAIL ASSEMBLY ()	087855	2
1	Pivot Bed Rail Weldment ()	087852	1
	Pivot Bed Rail Weldment ()	087848	1
	Bolt Assembly, Bed Rail Adjustment		1
2	Bolt, Bed Rail Adjustment	505006	1
3	Nut, M16-5.8 Hex Zinc	F81036-1	2
4	Bracket, Pivot Rail Mounting	087841-1	1
5	Bolt, M12x25-8.8 Hex Head Full Thread Zinc	F81004-31	1
6	Washer, 15 Flat	F05011-52	1
7	Nut, M32x2-04-B Zinc	087975	1
8	Screw, 1/4-28 x 1/4" Brass Tip Set	F05005-42	2
9	Fitting, 3/16" Grease	086280	1
10	BOLT, M10X120 8.8 CARRIAGE ZINC	F81003-33	4
11	WASHER, 10.5 FLAT ZINC	F81055-1	4
12	NUT, M10-8-B HEX NYLON ZINC LOCK	F81033-1	4
	COVER KIT, PIVOT RAIL STAINLESS STEEL ()	015926	2
	COVER KIT, PIVOT RAIL STAINLESS STEEL ()	N/A	2
13	Cover, Stainless Steel Pivot Bed Rail ()	012994	1
	Cover, Stainless Steel Pivot Bed Rail ()	099123	1
14	Bolt, M8x65-5.8 Hex Head Zinc	F81002-3	4
15	Nut, M8-8-B Hex Nylon Zinc Lock	F81032-2	4
	WRENCH, BED RAIL ADJUSTMENT (SEE SECTION 8.32)	015970	1

8.23 Log Side Support Assembly (Manual)



REF.	DESCRIPTION (◆ Indicates Parts Available In Assemblies Only)	PART #	QTY
1	SUPPORT, LOG SIDE W/GUARD	099785-1	1
2	PIN, LOG SIDE SUPPORT PIVOT	091549-1	1
3	BOLT, M8X45-8.8 HEX HEAD FULL THREAD ZINC	F81002-14	1
4	WASHER, 8.4 FLAT ZINC	F81054-1	2
5	NUT, M8-8-B HEX NYLON ZINC LOCK	F81032-2	1
6	PLATE, LOG SIDE SUPPORT END	091591-1	1
7	BOLT, M12 X 90-8.8 HEX HEAD ZINC	F81004-2	2
8	WASHER, 13 FLAT ZINC	F81056-1	2
9	NUT, M12-8 HEX NYLON ZINC LOCK	F81034-2	3
10	WASHER, .5" X 1.63" X 11" GA.	086184	1
11	BOLT, M12 X 35-8.8 HEX HEAD FULL THREAD ZINC	F81004-24	1
12	FITTING, 3/16" GREASE	P04107	2
13	ROLLER ASSEMBLY, SIDE SUPPORT	015014-1	2
14	WASHER, 17 FLAT ZINC	F81058-1	2
15	BOLT, M16X65-8.8-B HEX HEAD FULL THREAD ZINC	F81006-1	1
16	NUT, M16-8 HEX NYLON ZINC LOCK	F81036-2	1
17	WASHER, SPECIAL BOSART/2S, BN781 M12/13	F81056-16	1
18	WASHER, SPECIAL BOSART/2S M12/12.3/30.3	F81056-17	1
	INSTRUCTION SHEET, SIDE SUPPORT ROLLER	015109-526	1

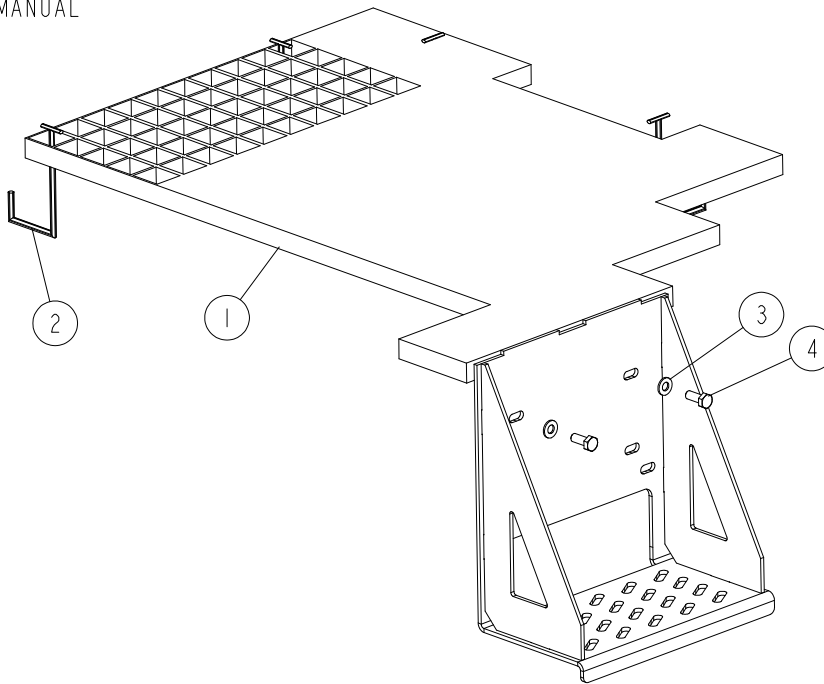
8.24 Saw Head Rest Pin Assembly



REF.	DESCRIPTION (◆ Indicates Parts Available In Assemblies Only)	PART#	QTY
	SAW HEAD REST PIN W/LATCH CLAMP, LT70S/M	094660	1
1	PIN, 3/8 x 2 1/4 SQ WIRE LOCK	014151	1
2	BUSHING, ZINC-PLATED SPACER	090936-1	1
3	BRACKET, LT40 SAW HEAD REST PIN MOUNT	092765-1	1
4	PIN WLDMT, LT70S/M SAW HEAD REST	094658-1	1
5	BOLT, M10 X 80 -8.8- FE/ZN5 HEX HEAD	F81003-50	1
6	BOLT, M12x60-8.8 HEX HEAD ZINC	F81004-5	1
7	BOLT, M12x95-8.8 HEX HEAD ZINC-PLATED	F81004-29	1
8	NUT, M10-8-B HEX NYLON ZINC LOCK	F81033-1	1
9	NUT, M12-8 HEX NYLON ZINC LOCK	F81034-2	1
10	WASHER, 10.5 FLAT ZINC	F81055-1	2
11	WASHER, 13 FLAT ZINC	F81056-1	2

8.25 Inspection Platform for Wide "M" Frame

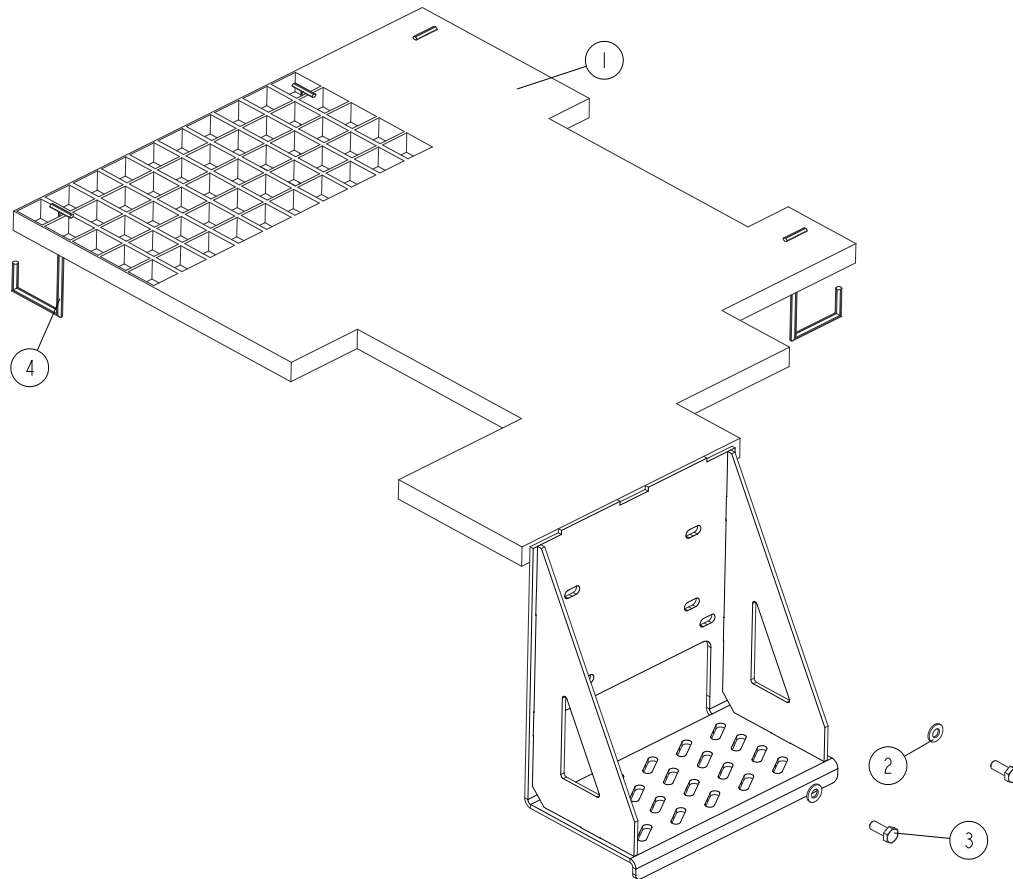
545671_001
 545671_MANUAL



REF	DESCRIPTION (◆ indicates parts available in assemblies only)	PART #	QTY
-	PLATFORM, WIDE "M" FRAME INSPECTION	545671	1
1	PLATFORM, WIDE "M" FRAME INSPECTION	545669-1	1
2	BRACKET, HOOK	085682	4
3	WASHER, 8.4 FLAT ZINC	F81054-1	2
4	BOLT, M8X20 8.8 HEX HEAD FULL THREAD ZINC	F81002-4	2

8.26 Inspection Platform (M-type Frame Sawmills)

555244_001
 555244_MANUAL

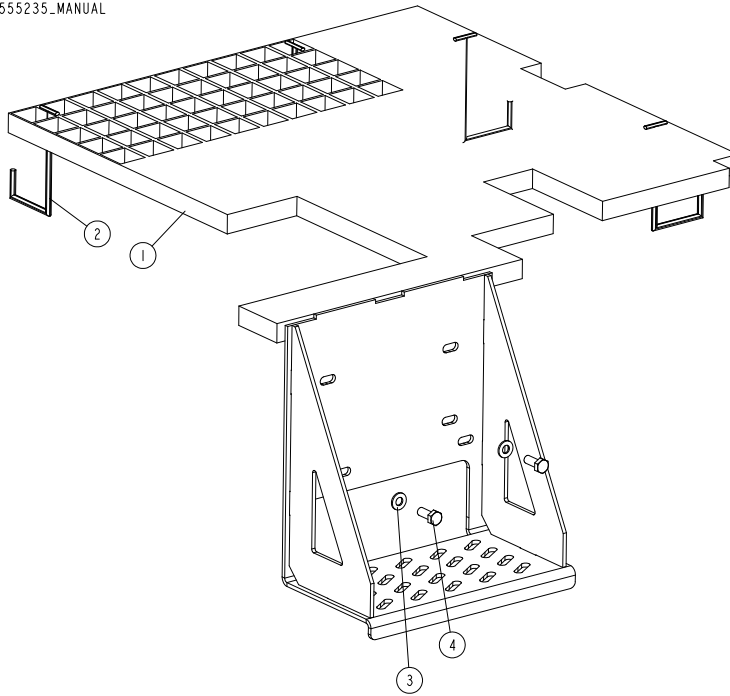


REF	DESCRIPTION (◆ indicates parts available in assemblies only)	PART #	QTY	
-	PLATFORM, M-TYPE FRAME INSPECTION ¹	555244	1	
1	PLATFORM, M-TYPE FRAME INSPECTION	555243-1	1	
2	WASHER, 8.4 FLAT ZINC	F81054-1	2	
3	BOLT, M8X20-8.8-B HEX HEAD FULL THREAD Z	F81002-4	2	
4	BRACKET, HOOK	085682	4	

¹ SAWMILLS EQUIPPED WITH POWER ROLLER

8.27 Inspection Platform for the Old Type Frame (Optional)

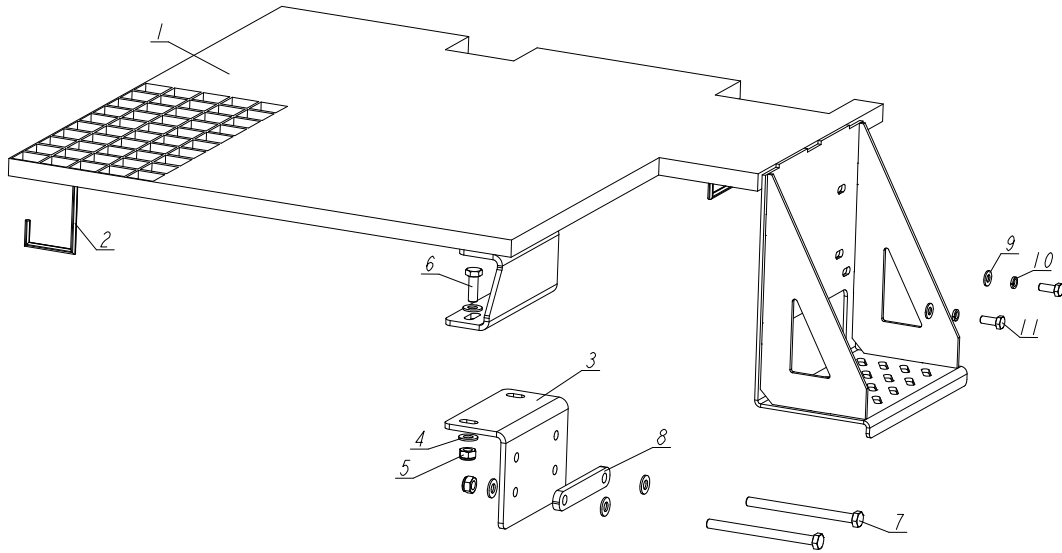
555235_001
555235_MANUAL



REF	DESCRIPTION (◆ indicates parts available in assemblies only)	PART #	QTY
-	PLATFORM, INSPECTION (FOR DRIVEN LOG LEVELLING ROLLER)	555235	1
1	PLATFORM, INSPECTION	555237-1	1
2	BRACKET, HOOK	085682	4
3	WASHER, 8.4 FLAT ZINC	F81054-1	2
4	BOLT, M8X20 8.8 HEX HEAD FULL THREAD ZIN	F81002-4	2

8.28 Inspection Platform (New M-type Frame, Mobile Sawmills)

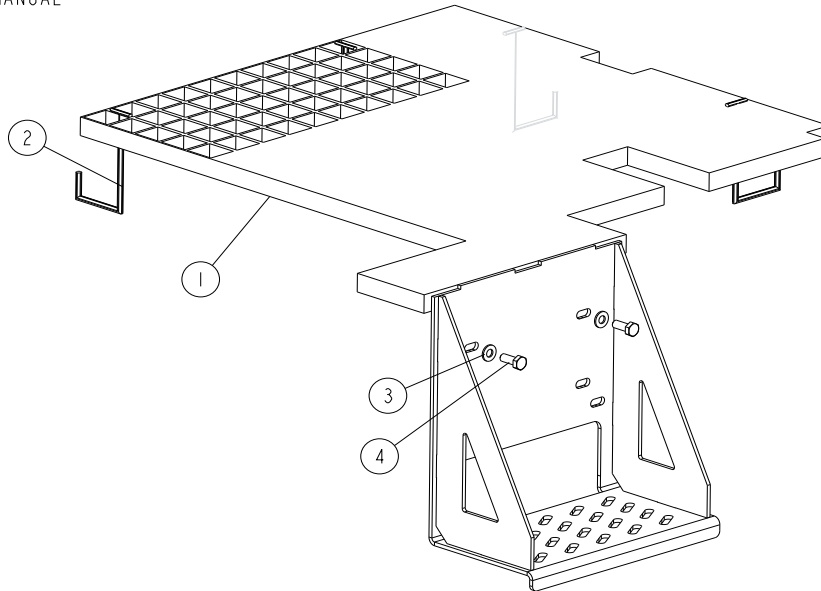
545567_001
545567_MANUAL



REF	DESCRIPTION (◆ indicates parts available in assemblies only)	PART #	QTY
-	PLATFORM, NEW M-TYPE FRAME INSPECTION - COMPLETE	545567	1
1	PLATFORM, INSPECTION - PAINTED	545566-1	1
2	BRACKET, HOOK	085682	4
3	PLATE, MOUNTING ANGLE	555223-1	1
4	WASHER, 10.5 FLAT ZINC	F81055-1	8
5	NUT, M10-8-B HEX NYLON ZINC LOCK	F81033-1	4
6	BOLT DIN 933-M10X30 8.8-A2E	F81003-111	2
7	BOLT, M10X130-8.8 FE/ZN5 PN-M/82105	F81003-170	2
8	WASHER	555221-1	1
9	WASHER, 8.4 FLAT ZINC	F81054-1	2
10	WASHER, 8.2 SPLIT LOCK ZINC	F81054-4	2
11	BOLT, M8X20-8.8-B HEX HEAD FULL THREAD ZINC	F81002-4	2

8.29 Inspection Platform ("M" Frame w/Driven Log Levelling Roller)

545646_001
545646_MANUAL



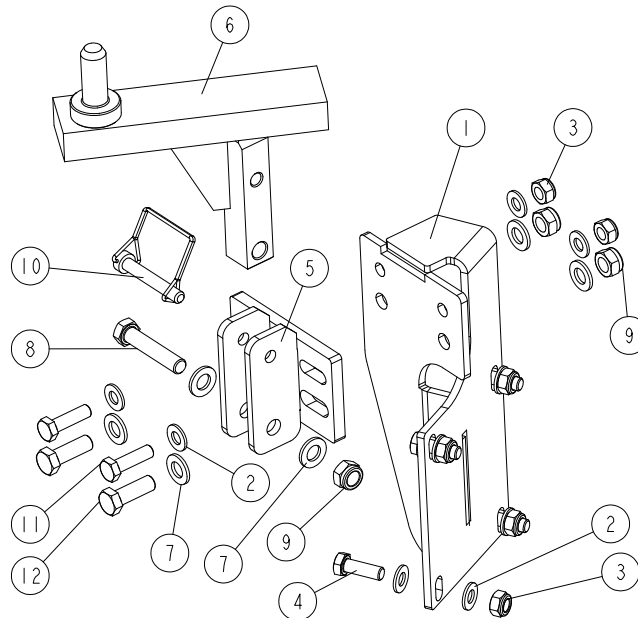
REF.	DESCRIPTION (◆ Indicates Parts Available In Assemblies Only)	PART#	QTY
	PLATFORM, "M" FRAME INSPECTION - COMPLETE	545646	1
1	PLATFORM, "M" FRAME INSPECTION	506046-1	1
2	BRACKET, HOOK	085682	4
3	WASHER, 8.4 FLAT ZINC	F81054-1	2
4	BOLT, M8X20 8.8 HEX HEAD FULL THREAD ZINC	F81002-4	2

8 BED FRAME ASSEMBLY

Saw Head Transport Bracket, LT70 M

8.30 Saw Head Transport Bracket, LT70 M

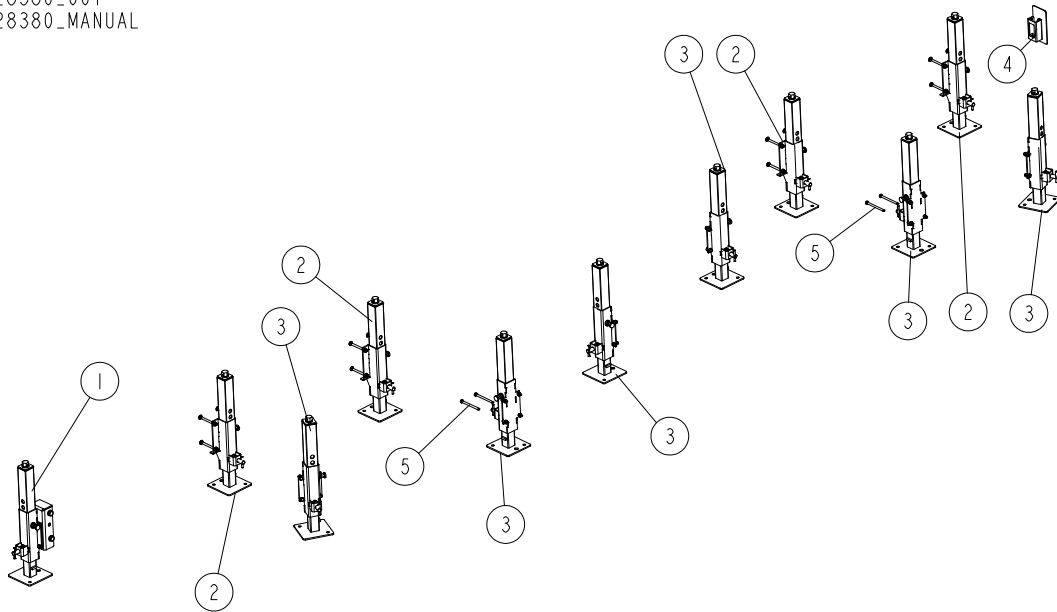
502712_001
502712_MANUAL



REF.	DESCRIPTION (◆ Indicates Parts Available In Assemblies Only)	PART#	QTY
-	BRACKET, LT70MD42SDH7-2.6 SAW HEAD TRANSPORT	502712	1
1	BRACKET, LT70MD42SDH7-2.6	502711-1	1
2	WASHER, 10.5 FLAT ZINC	F81055-1	12
3	NUT, M10-8-B HEX NYLON ZINC LOCK	F81033-1	6
4	BOLT, M10X30-8.8 HEX HEAD FULL THREAD ZINC	F81003-2	4
5	BRACKET, LT40	092765-1	1
6	PIN WELDMENT, LT70 S/M SAW HEAD REST	094658-1	1
7	WASHER, 13 FLAT ZINC	F81056-1	6
8	BOLT, M12X60-8.8 HEX HEAD ZINC	F81004-5	1
9	NUT, M12 8 HEX NYLON ZINC LOCK	F81034-2	3
10	PIN, 3/8 X 2 1/4 SQ WIRE LOCK	014151	1
11	BOLT, M10X35 8.8 HEX HEAD FULL THREAD ZINC	F81003-17	2
12	BOLT, M12X35 8.8 HEX HEAD FULL THREAD ZINC	F81004-24	2

8.31 Adjustable Legs for "M" Frame (Standard Hydraulic Equipment)

528380_001
528380_MANUAL



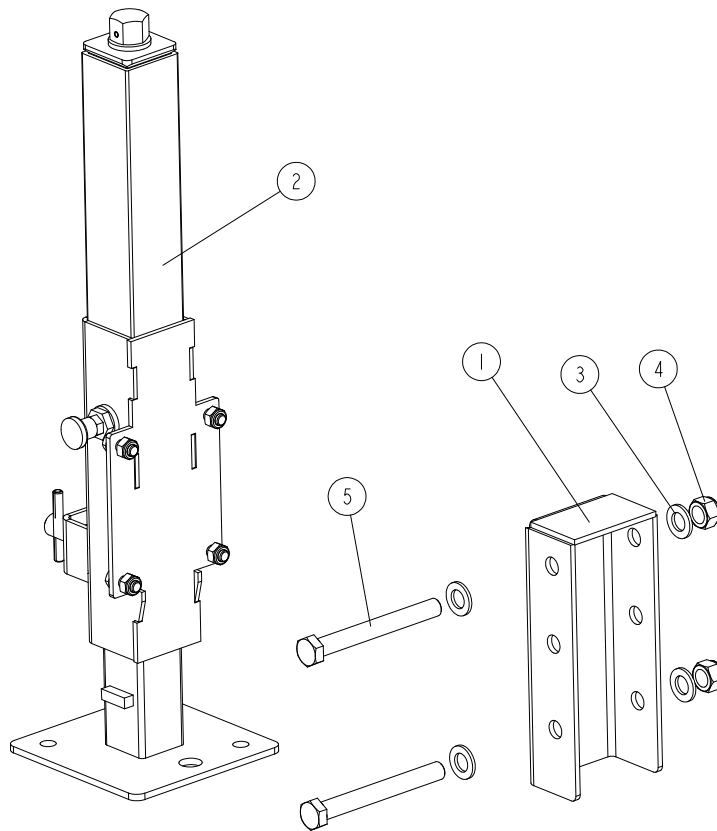
REF	DESCRIPTION (◆ indicates parts available in assemblies only)	PART #	QTY
-	LEG SET, ADJUSTABLE ("M" HYDRAULIC FRAME)	528380	1
1	LEG, FRONT ADJUSTABLE - COMPLETE	528370	1
2	LEG, COMPLETE FINE ADJUST OUTRIGGER	094584	4
3	LEG, COMPLETE SIDE	094583	6
4	COVER ASSEMBLY, MAIN TUBE (STATIONARY MACHINES)	093052	1
5	BOLT, M10X125 8.8 HEX HEAD ZINC	F81003-18	4

8 BED FRAME ASSEMBLY

Front Adjustable Leg (at the hitch)

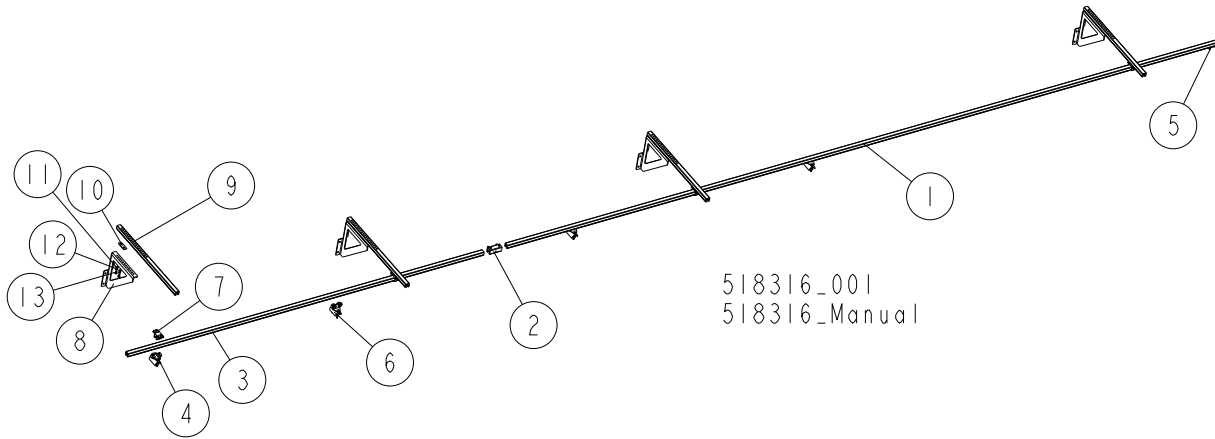
8.32 Front Adjustable Leg (at the hitch)

528370_001
528370_MANUAL



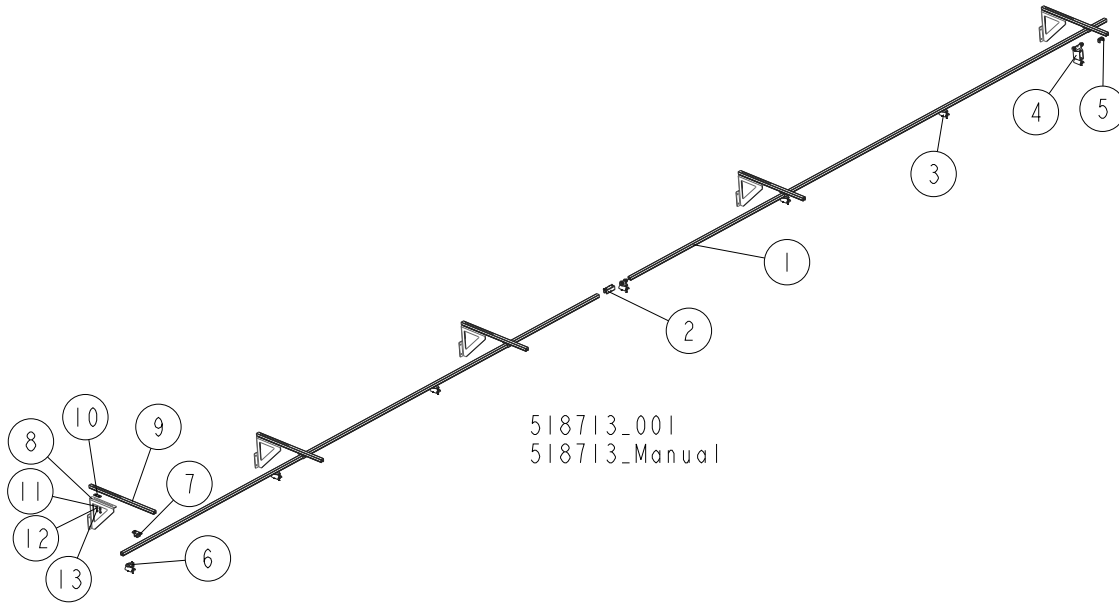
REF	DESCRIPTION (◆ indicates parts available in assemblies only)	PART #	QTY
-	LEG, FRONT ADJUSTABLE - COMPLETE	528370	1
1	BRACKET, LEG MOUNT	528368-1	1
2	LEG, COMPLETE SIDE	094583	1
3	WASHER, 17 ZINC FLAT	F81058-1	4
4	NUT, M16-8 HEX NYLON ZINC LOCK	F81036-2	2
5	BOLT, M16X140-8.8 HEX HEAD ZINC	F81006-4	2

8.33 Wall Mount Remote Set (Cutting Length of 6.5 m)



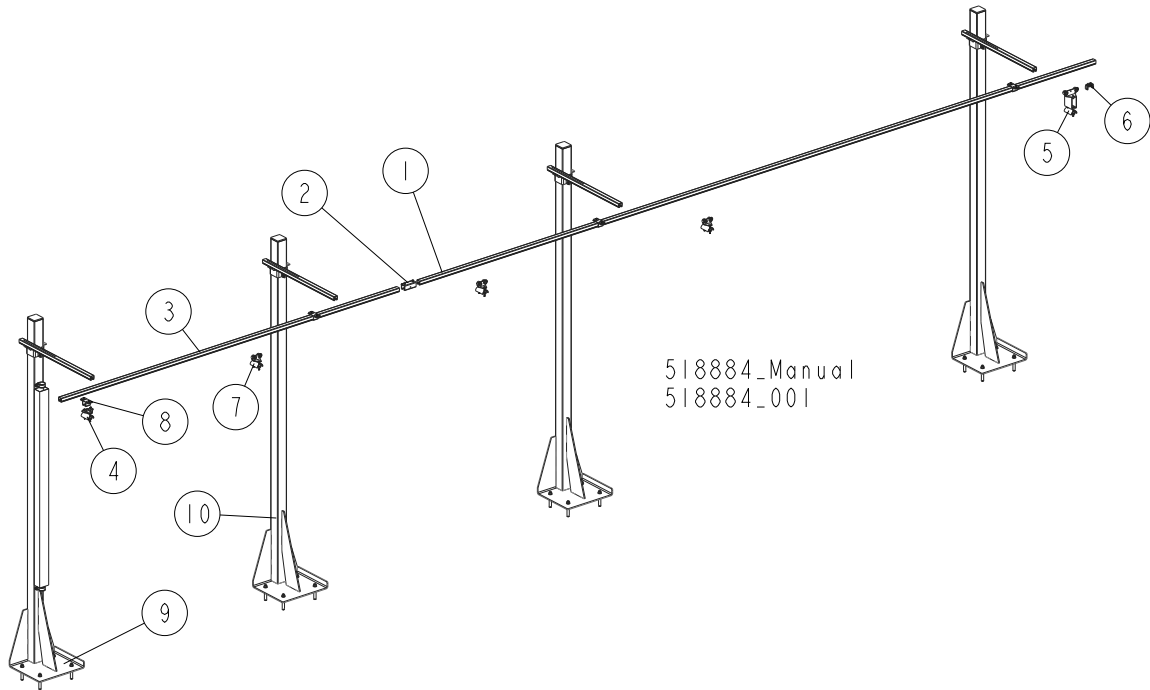
REF	DESCRIPTION (◆ indicates parts available in assemblies only)	PART #	QTY
	REMOTE SET - MOUNTED ON SIDE WALL (CUTTING LENGTH OF 6.5 M)	518316	1
	RAIL, COMPLETE GUIDE (CUTTING LENGTH OF 6.5 M)	518315	1
1	RAIL, 6 M C-PROFILE	518332	1
2	COUPLER, TRACK	518705	1
3	RAIL, 3 M C-PROFILE	518313	1
4	CLAMP, FLAT CABLE - END	518701	1
5	STOP, END	518700	1
6	TROLLEY, CABLE MOVING	518333	3
7	BRACKET, BOLT-ON	518702	4
	BRACKET KIT, WALL MOUNT	518724	4
8	BRACKET, WALL MOUNT	518728-1	1
9	ARM, RAIL BRACKET	518709	1
10	PLATE, ARM CLAMP	518885-1	1
11	WASHER, 8.4 FLAT ZINC	F81054-1	2
12	WASHER, 8.2 SPLIT LOCK ZINC	F81054-4	2
13	BOLT, M8X16 -8.8-B HEX HEAD FULL THREAD	F81002-20	2

8.34 Wall Mount Remote Set (Cutting Length of 6.5-10 m)



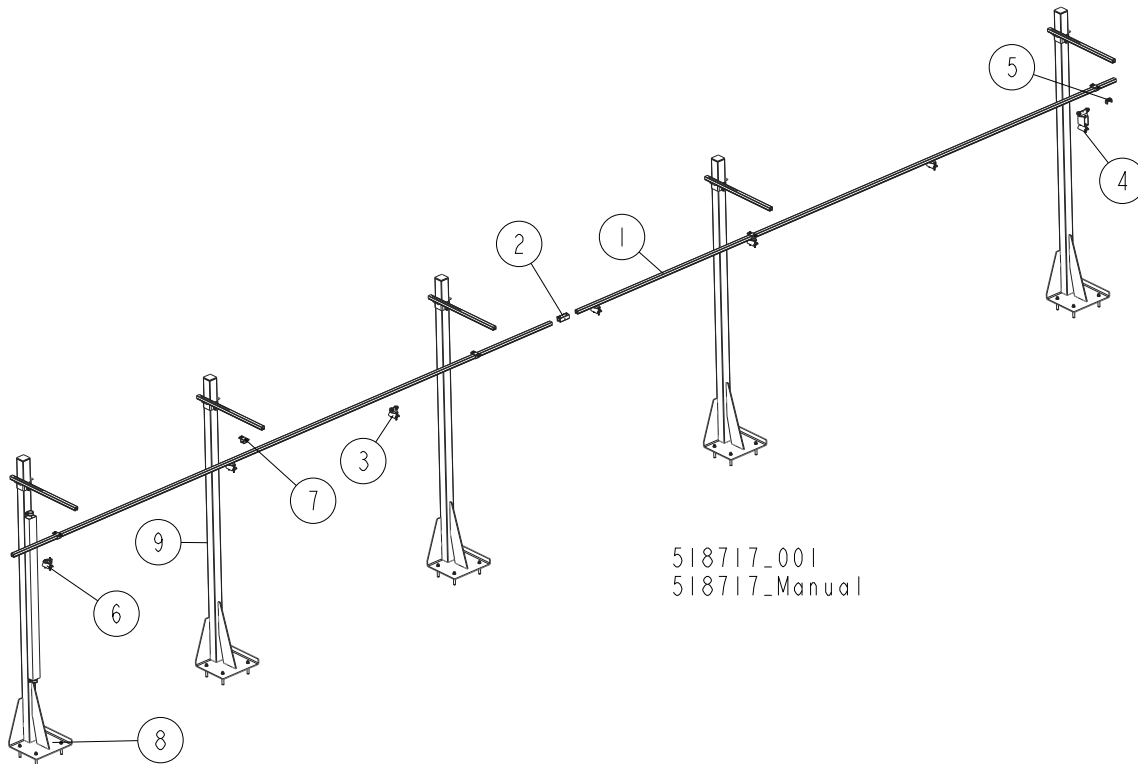
REF	DESCRIPTION (◆ indicates parts available in assemblies only)	PART #	QTY
	REMOTE SET, WALL MOUNT (CUTTING LENGTH OF 6.5-10 M)	518713	1
	RAIL, COMPLETE GUIDE (CUTTING LENGTH OF 6.5-10 M)	518704	1
1	RAIL, 6 M C-PROFILE	518332	2
2	COUPLER, TRACK	518705	1
3	TROLLEY, CABLE MOVING	518333	5
4	TROLLEY, TOWING	518334	1
5	STOP, END	518700	1
6	CLAMP, FLAT CABLE - END	518701	1
7	BRACKET, BOLT-ON	518702	5
8	BRACKET KIT, WALL MOUNT	518724	5
9	BRACKET, WALL MOUNT	518728-1	1
10	ARM, RAIL BRACKET	518709	1
11	PLATE, ARM CLAMP	518885-1	1
12	WASHER, 8.4 FLAT ZINC	F81054-1	2
13	WASHER, 8.2 SPLIT LOCK ZINC	F81054-4	2

8.35 4-Post Remote Set



REF	DESCRIPTION (◆ indicates parts available in assemblies only)	PART #	QTY
	REMOTE SET, 4-POST	518884	1
	RAIL, COMPLETE GUIDE (CUTTING LENGTH OF 6.5M)	518315	1
1	RAIL, 6 M C-PROFILE	518332	1
2	COUPLER, TRACK	518705	1
3	RAIL, 3 M C-PROFILE	518313	1
4	CLAMP, FLAT CABLE - END	518701	1
5	TROLLEY, TOWING	518334	1
6	STOP, END	518700	1
7	TROLLEY, CABLE MOVING	518333	3
8	BRACKET, BOLT-ON	518702	4
9	POST, GUIDE RAIL SUPPORT - COMPLETE See Section 8.18	520669	1
10	POST, GUIDE RAIL SUPPORT - COMPLETE See Section 8.17	518736	3

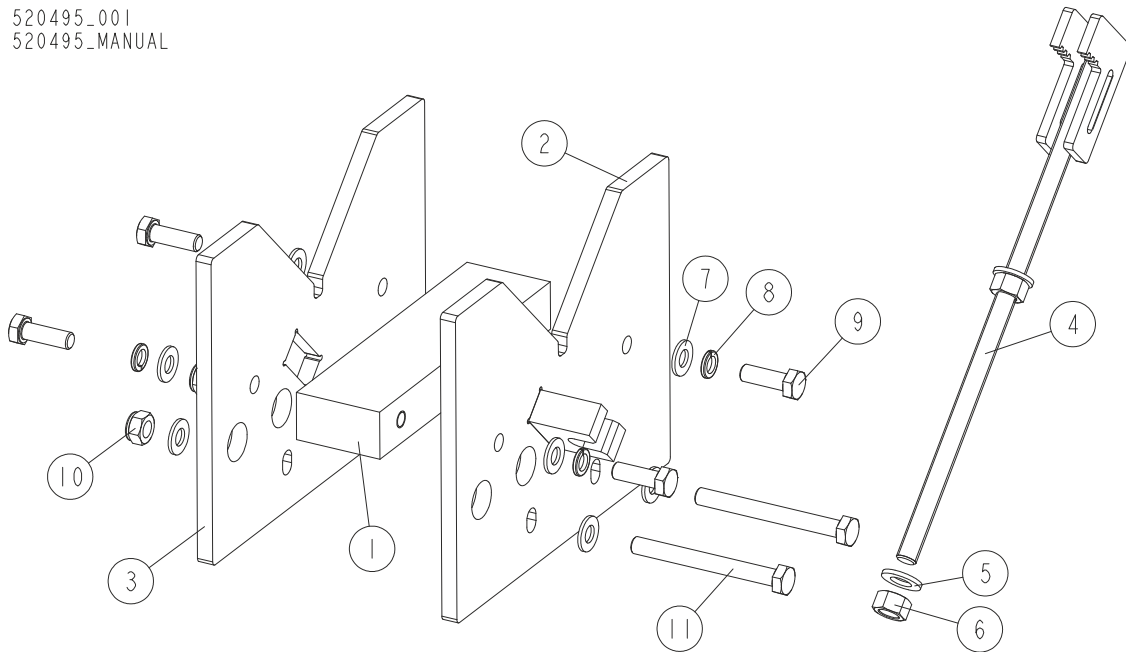
8.36 5-Post Remote Set



REF	DESCRIPTION (◆ indicates parts available in assemblies only)	PART #	QTY
	REMOTE SET, 5-POST	518717	1
	RAIL, COMPLETE GUIDE (CUTTING LENGTH OF 6.5-10 M)	518704	1
1	RAIL, 6 M C-PROFILE	518332	2
2	COUPLER, TRACK	518705	1
3	TROLLEY, CABLE MOVING	518333	5
4	TROLLEY, TOWING	518334	1
5	STOP, END	518700	1
6	CLAMP, FLAT CABLE - END	518701	1
7	BRACKET, BOLT-ON	518702	5
8	POST, GUIDE RAIL SUPPORT - COMPLETE See Section 8.18	520669	1
9	POST, GUIDE RAIL SUPPORT - COMPLETE See Section 8.17	518736	4

8.37 Octagonal Profile Sawing Tool (Option)

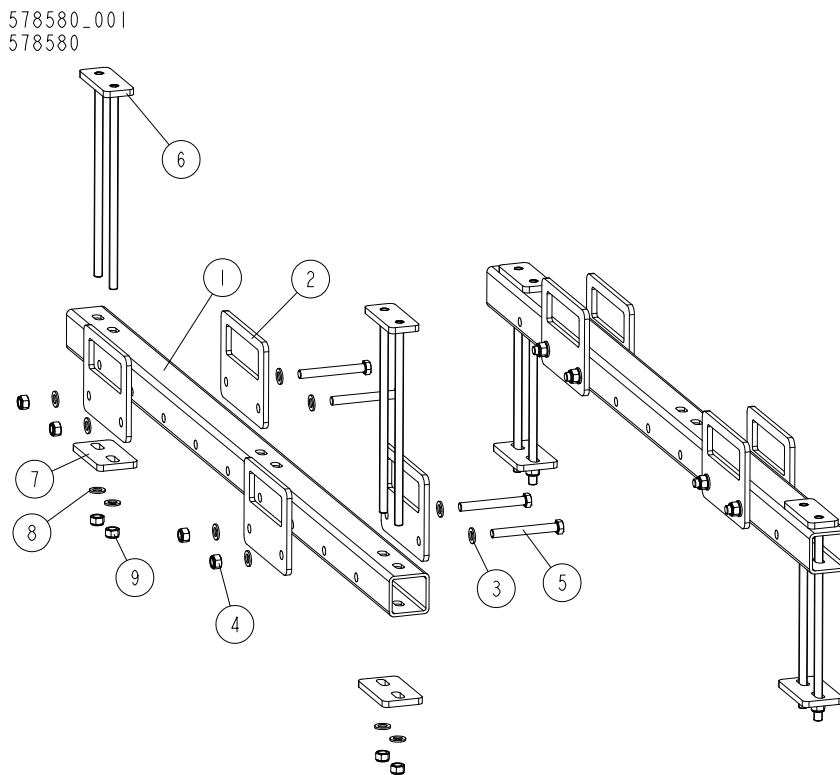
520495_001
 520495_MANUAL



REF	DESCRIPTION (◆ indicates parts available in assemblies only)	PART #	QTY
-	TOOL, OCTAGONAL PROFILE SAWING	520495	1
1	BAR, INSIDE	520490-1	1
2	PLATE, FRONT	520492-1	1
3	PLATE, MAIN	520489-1	1
4	ARM, CLAMP	520496-1	1
5	WASHER, 13 FLAT ZINC	F81056-1	2
6	NUT, M12-8-B HEX ZINC	F81034-1	2
7	WASHER, 10.5 FLAT ZINC	F81055-1	8
8	WASHER, Z 10.2 SPLIT LOCK ZINC	F81055-2	4
9	BOLT, M10X30-5.8 HEX HEAD FULL THREAD ZI	F81003-2	4
10	NUT, M10-8-B HEX NYLON ZINC LOCK	F81033-1	2
11	BOLT, M10X95-8.8-B HEX HEAD ZINC	F81003-71	2

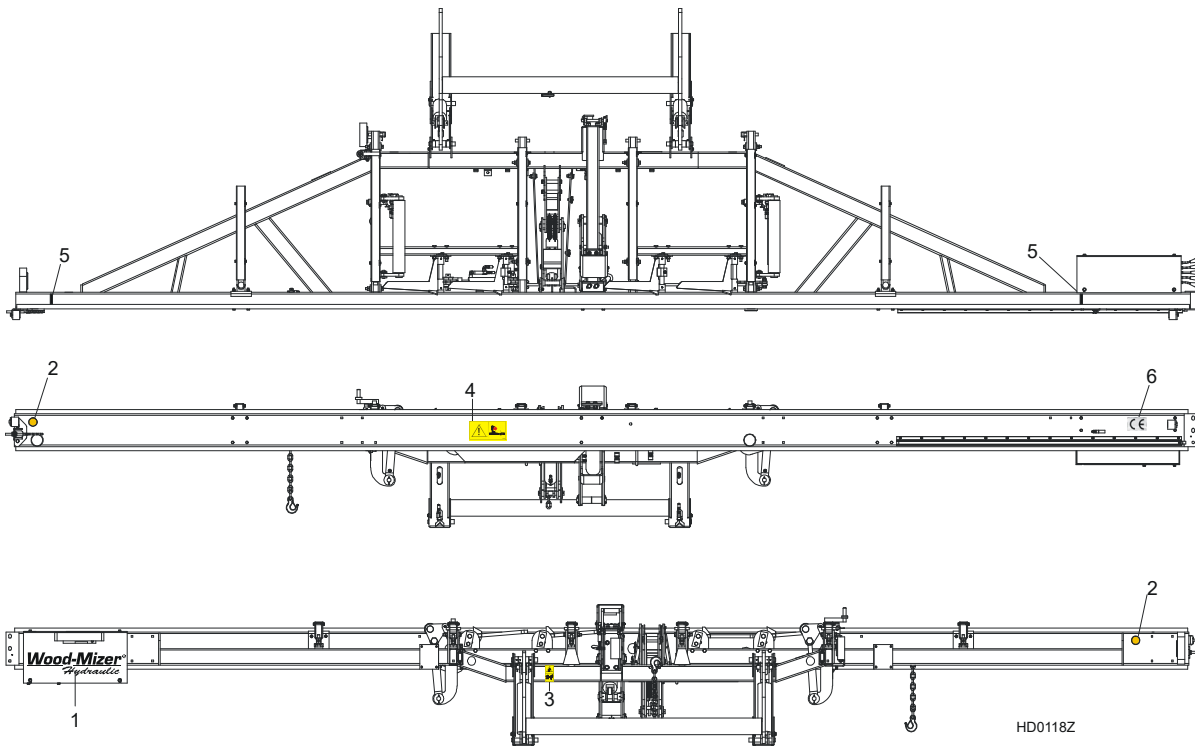
8 **BED FRAME ASSEMBLY**
Sawmill Transport Bracket Assembly (Option)

8.38 Sawmill Transport Bracket Assembly (Option)



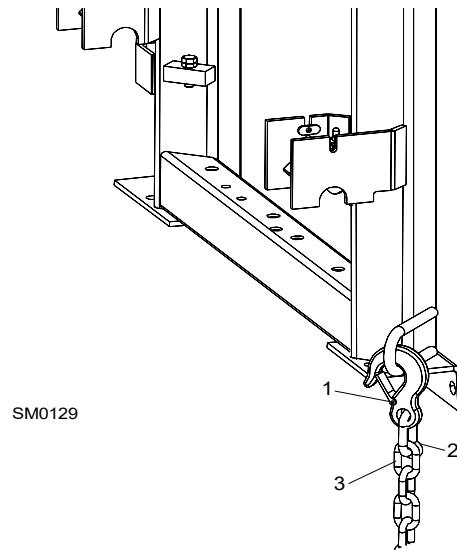
REF	DESCRIPTION (u indicates parts available in assemblies only)	PART #	QTY
-	TRANSPORT BRACKET ASSEMBLY, SAWMILLS	578580	1
-	BRACKET, TRANSPORT	578566	2
1	TUBE, TRANSPORT	578567-1	1
2	PLATE, TRANSPORT BRACKET	578569-1	4
3	WASHER, 17 FLAT ZINC	F81058-1	8
4	NUT, M16-8 HEX NYLON ZINC LOCK	F81036-2	4
5	BOLT, M16X130-8.8 HEX HEAD ZINC	F81006-35	4
-	CLAMP, FRAME	578572	2
6	PLATE	578577-1	1
7	PLATE, TRANSPORT BRACKET	578568-1	1
8	WASHER, 17 FLAT ZINC	F81058-1	2
9	NUT, M16-8 HEX NYLON ZINC LOCK	F81036-2	2

8.39 Bed Frame Decals



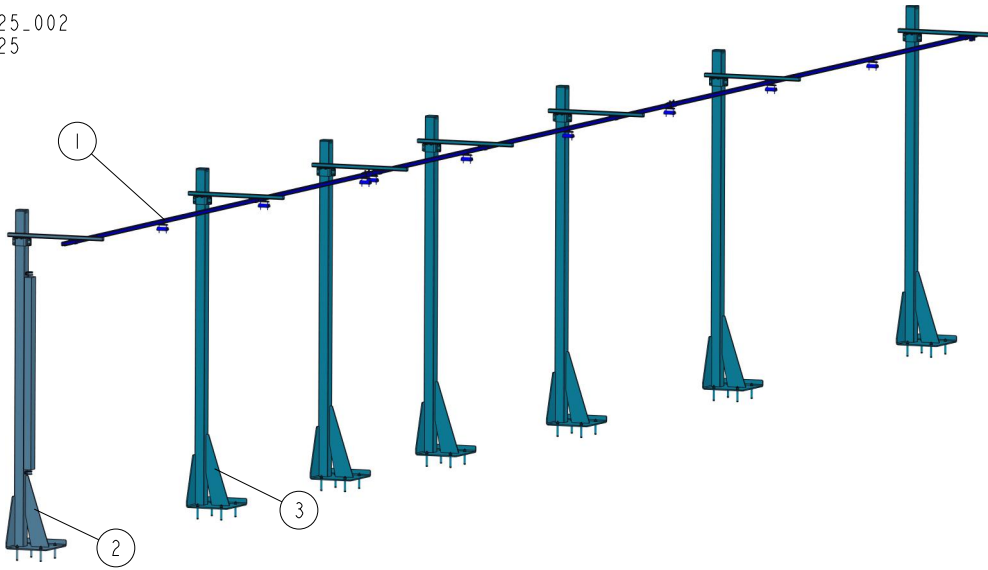
REF.	DESCRIPTION (◆ Indicates Parts Available In Assemblies Only)	PART #	QTY
1	DECAL, WOOD-MIZER SUPER HYDRAULIC LOGO	014168	1
2	DECAL, AMBER REFLECTIVE 2" ROUND	P07453	2
3	DECAL, KEEP AWAY DANGER, PICTOGRAM	099221	1
4	DECAL, SAWMILL TRAILER CAUTION, PICTOGRAM	099542	1
5	DECAL, LOG LIMIT STRIPE	S12051	2
6	DECAL, CE CERTIFIED SAWMILL, SMALL	P85070	1

8.40 Tie Down Chain Assembly



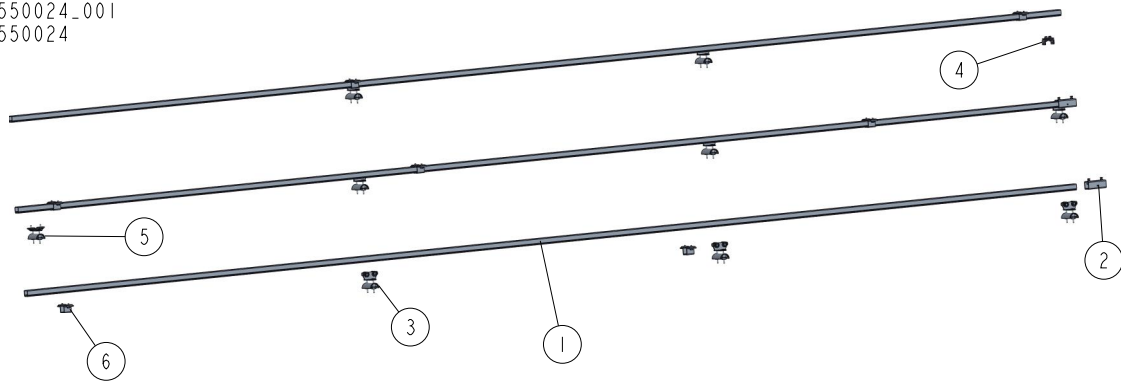
REF.	DESCRIPTION (◆ indicates parts available in assemblies only)	PART #	QTY
	CHAIN ASSEMBLY, TIE DOWN	A04376-1	1
1	HOOK, 5/8 SAFETY CHAIN	P12075	1
2	Link, 10 Chain	100767	1
3	Chain, N-10 x 35, 6-Link	100951	1

8.41 7-Post Remote Set 550025

550025_002
550025

REF	DESCRIPTION (◆ indicates parts available in assemblies only)	PART #	QTY	
-	REMOTE SET, 7-POST	550025	1	
1	RAIL, COMPLETE GUIDE - CUTTING LENGTH (10,5-15M) See Section 8.42	550024	1	
2	POST, GUIDE RAIL SUPPORT - COMPLETE See Section 8.43	520669	1	
3	POST, GUIDE RAIL SUPPORT - COMPLETE See Section 8.44	518736	6	

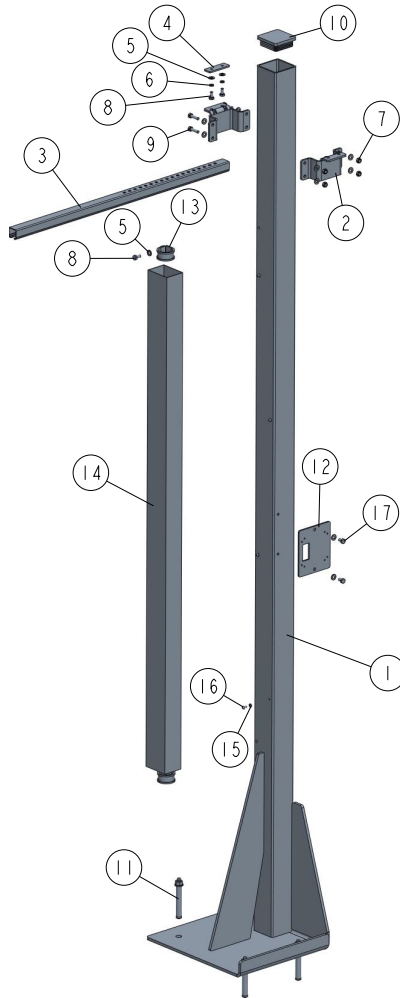
8.42 Guide Rail 550024

550024_001
550024

REF	DESCRIPTION (◆ indicates parts available in assemblies only)	PART #	QTY	
-	RAIL, COMPLETE GUIDE - CUTTING LENGTH (10,5-15M)	550024	1	
1	RAIL, 6 M C-PROFILE	518332	3	
2	COUPLER, TRACK	518705	2	
3	TROLLEY, CABLE MOVING	518333	8	
4	STOP, END	518700	1	
5	CLAMP, FLAT CABLE - END	518701	1	
6	BRACKET, BOLT-ON	518702	7	

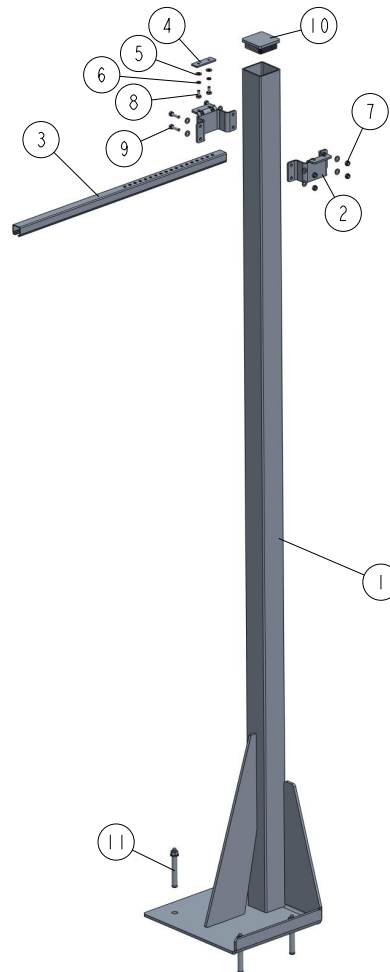
8.43 Guide Rail Support Post 520669

520669_001
520669



REF	DESCRIPTION (◆ indicates parts available in assemblies only)	PART #	QTY
-	POST, GUIDE RAIL SUPPORT - COMPLETE	520669	1
1	POST WELDMENT W/HOLES	520667-1	1
2	BRACKET, 80X80 TUBE WRAP	518725-1	2
3	ARM, RAIL BRACKET	518709	1
4	PLATE, ARM CLAMP	518885-1	1
5	WASHER, 8.4 FLAT ZINC	F81054-1	14
6	WASHER 8,2 SPLIT LOCK ZINC	F81054-4	2
7	NUT, M8-8-B HEX NYLON ZINC LOCK	F81032-2	4
8	BOLT, M8X16-8.8-B HEX HEAD FULL THREAD Z	F81002-20	4
9	BOLT, M8X30-5.8-B HEX HEAD FULL THREAD Z	F81002-2	4
10	CAP, HR FRAME	089644	1
11	PIN, LT 16X120	501877	4
12	PLATE, SOCKET MOUNT	517664-1	1
13	CLAMP, RSGU 1.42/20 W1 METAL & RUBBER	F81087-3	2
14	DUCT, CABLE	520670	1
15	WASHER, M5, FLAT ZINC	F81052-1	4
16	SCREW, M5X10-8.8 CROSS RECESSED PAN HEAD	F81000-13	4
17	BOLT, M8X12-8.8 HEX HEAD FULL THREAD ZIN	F81002-6	2

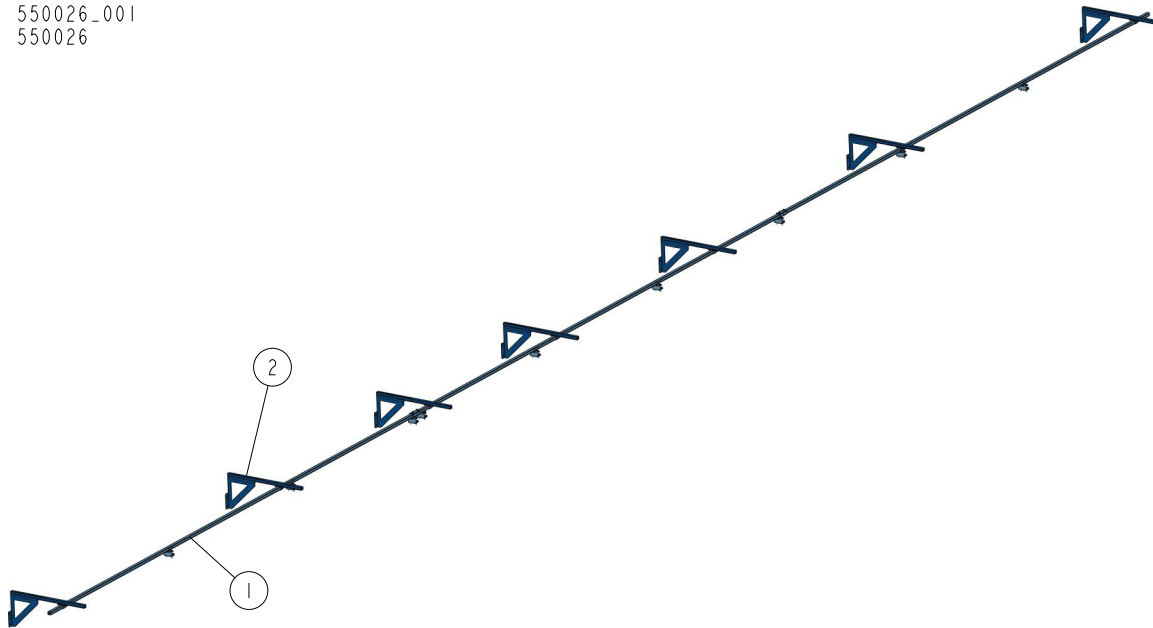
8.44 Guide Rail Support Post 518736

518736_001
518736

REF	DESCRIPTION (◆ indicates parts available in assemblies only)	PART #	QTY	
-	POST, GUIDE RAIL SUPPORT - COMPLETE	518736	1	
1	POST, GUIDE RAIL SUPPORT	518707-1	1	
2	BRACKET, 80X80 TUBE WRAP	518725-1	2	
3	ARM, RAIL BRACKET	518709	1	
4	PLATE, ARM CLAMP	518885-1	1	
5	WASHER, 8.4 FLAT ZINC	F81054-1	10	
6	WASHER 8,2 SPLIT LOCK ZINC	F81054-4	2	
7	NUT, M8-8-B HEX NYLON ZINC LOCK	F81032-2	4	
8	BOLT, M8X16-8.8-B HEX HEAD FULL THREAD Z	F81002-20	2	
9	BOLT, M8X30-5.8-B HEX HEAD FULL THREAD Z	F81002-2	4	
10	CAP, HR FRAME	089644	1	
11	PIN, LT 16X120	501877	4	

8.45 Wall Mount Remote Set 550026

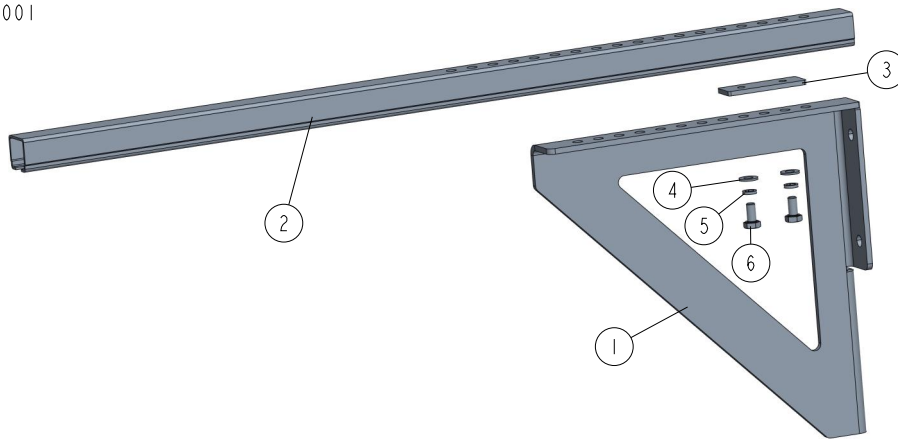
550026_001
550026



REF	DESCRIPTION (◆ indicates parts available in assemblies only)	PART #	QTY
-	REMOTE SET, WALL MOUNT (CUTTING LENGTH OF 10,5-15 M)	550026	1
1	RAIL, COMPLETE GUIDE - CUTTING LENGTH (10,5-15M) See Section 8.42	550024	1
2	BRACKET KIT, WALL MOUNT See Section 8.46	518724	7

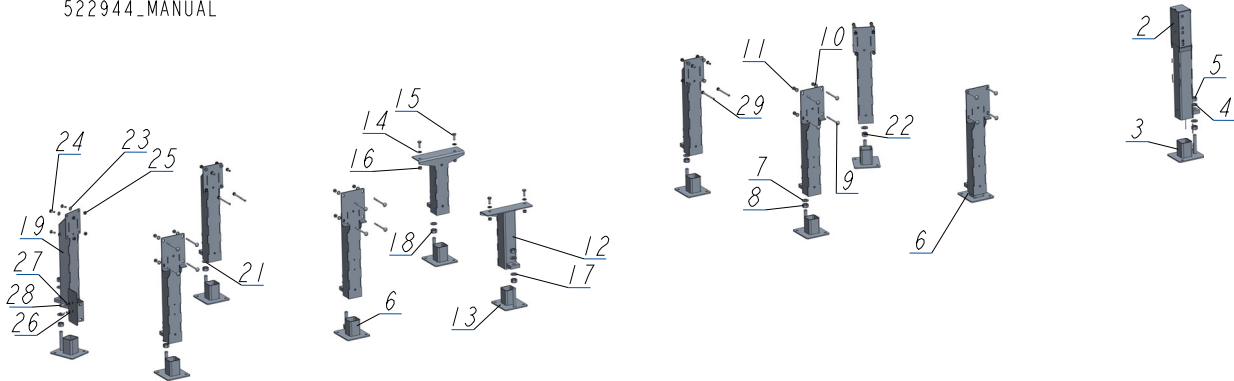
8.46 Wall Mount Bracket Kit 518724

518724_001
518724



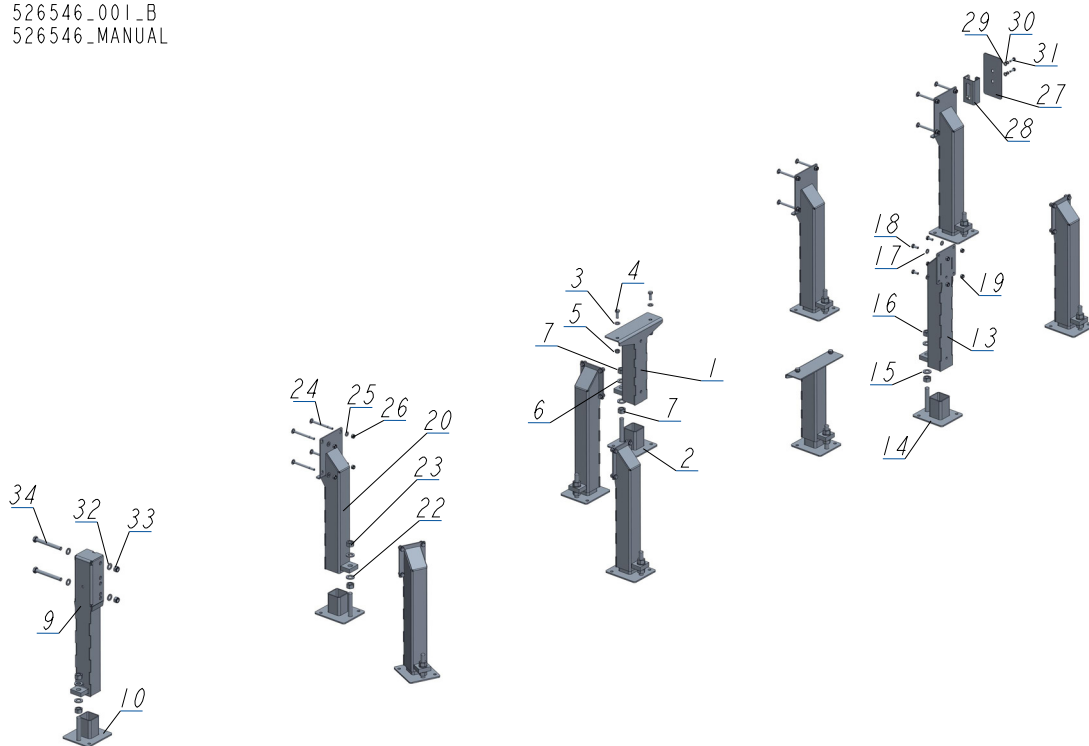
REF	DESCRIPTION (◆ indicates parts available in assemblies only)	PART #	QTY	
-	BRACKET KIT, WALL MOUNT	518724	1	
1	BRACKET, WALL MOUNT	518728-1	1	
2	ARM, RAIL BRACKET	518709	1	
3	PLATE, ARM CLAMP	518885-1	1	
4	WASHER, 8.4 FLAT ZINC	F81054-1	2	
5	WASHER 8,2 SPLIT LOCK ZINC	F81054-4	2	
6	BOLT, M8X16-8.8-B HEX HEAD FULL THREAD Z	F81002-20	2	

8.47 Stationary Legs for "M" Frame. 522944

522944_001_B
522944_MANUAL

REF	DESCRIPTION (u indicates parts available in assemblies only)	PART #	QTY
-	LEG, M SUPER FRAME STATIONARY	522944	1
1	LEG, FRONT ADJUSTABLE STATIONARY	589525	1
2	LEG WELDMENT, FRONT ADJUSTABLE	589518-1	1
3	FOOT	586948-1	1
4	WASHER, 21 FLAT ZINC	F81059-2	2
5	NUT, M20-8- HEX ZINC	F81037-1	2
-	LEG, RIGHT ADJUSTABLE STATIONARY	501640	4
6	FOOT	586948-1	1
7	WASHER, 21 FLAT ZINC	F81059-2	2
8	NUT, M20-8- HEX ZINC	F81037-1	2
9	BOLT, M10X120 8.8 CARRIAGE ZINC	F81003-33	4
10	WASHER, 10.5 ZC DIN 126 ISO 7091	F81055-1	4
11	NUT, M10-8-B HEX NYLON ZINC LOCK	F81033-1	4
-	LEG, MIDDLE ADJUSTABLE STATIONARY	501637	2
12	LEG, MIDDLE	507720-1	1
13	FOOT	586948-1	1
14	WASHER, 13 FLAT ZINC	F81056-1	2
15	BOLT, M12X30 8.8 HEX HEAD FULL THREAD ZI	F81004-22	2
16	NUT, M12 8 HEX NYLON ZINC LOCK	F81034-2	2
17	WASHER, 21 FLAT ZINC	F81059-2	2
18	NUT, M20-8- HEX ZINC	F81037-1	2
-	LEG, LEFT STATIONARY ADJUSTABLE	501639	4
19	TUBE WELDMENT, ADJUSTABLE LEG	507715-1	1
20	FOOT	586948-1	1
21	WASHER, 21 FLAT ZINC	F81059-2	2
22	NUT, M20-8- HEX ZINC	F81037-1	2
23	WASHER, 10.5 ZC DIN 126 ISO 7091	F81055-1	4
24	BOLT, M10X25-8.8-FE/ZN5	F81003-11	2
25	NUT, M10-8-B HEX NYLON ZINC LOCK	F81033-1	4
-	COVER ASSEMBLY, MAIN TUBE	093052	1
26	WASHER, 8.4 FLAT ZINC	F81054-1	2
27	WASHER, 8.2 SPLIT LOCK ZINC	F81054-4	2
28	BOLT, M8X25-8.8-B HEX HEAD FULL THREAD Z	F81002-5	2
29	BOLT, M10X125 8.8 HEX HEAD ZINC	F81003-18	4

8.48 Stationary Legs for "S" Frame. 526546

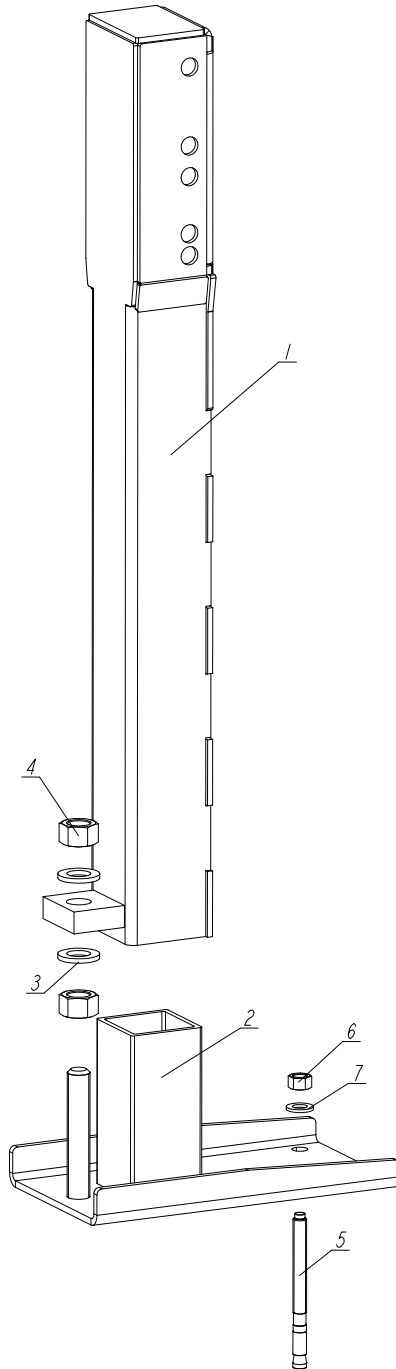
526546_001_B
526546_MANUAL

REF	DESCRIPTION (u indicates parts available in assemblies only)	PART #	QTY
-	LEG, S FRAME STATIONARY	526546	1
-	LEG, MIDDLE ADJUSTABLE STATIONARY	501637	2
1	LEG, MIDDLE	507720-1	1
2	FOOT	586948-1	1
3	WASHER, 13 FLAT ZINC	F81056-1	2
4	BOLT, M12X30 8.8 HEX HEAD FULL THREAD ZI	F81004-22	2
5	NUT, M12 8 HEX NYLON ZINC LOCK	F81034-2	2
6	WASHER, 21 FLAT ZINC	F81059-2	2
7	NUT, M20-8- HEX ZINC	F81037-1	2
8	LEG, FRONT ADJUSTABLE STATIONARY	589525	1
9	LEG WELDMENT, FRONT ADJUSTABLE	589518-1	1
10	FOOT	586948-1	1
11	WASHER, 21 FLAT ZINC	F81059-2	2
12	NUT, M20-8- HEX ZINC	F81037-1	2
-	LEG, LEFT STATIONARY ADJUSTABLE	501639	5
13	TUBE WELDMENT, ADJUSTABLE LEG	507715-1	1
14	FOOT	586948-1	1
15	WASHER, 21 FLAT ZINC	F81059-2	2
16	NUT, M20-8- HEX ZINC	F81037-1	2
17	WASHER, 10.5 ZC DIN 126 ISO 7091	F81055-1	4
18	BOLT, M10X25-8.8-FE/ZN5	F81003-11	4
19	NUT, M10-8-B HEX NYLON ZINC LOCK	F81033-1	4
-	LEG, RIGHT ADJUSTABLE STATIONARY	501640	3
20	LEG, MAIN TUBE (HIGH)	507620-1	1

REF	DESCRIPTION (u indicates parts available in assemblies only)	PART #	QTY	
21	FOOT	586948-1	1	
22	WASHER, 21 FLAT ZINC	F81059-2	2	
23	NUT, M20-8- HEX ZINC	F81037-1	2	
24	BOLT, M10X120 8.8 CARRIAGE ZINC	F81003-33	4	
25	WASHER, 10.5 ZC DIN 126 ISO 7091	F81055-1	4	
26	NUT, M10-8-B HEX NYLON ZINC LOCK	F81033-1	4	
-	COVER ASSEMBLY, MAIN TUBE	093052	1	
27	COVER, 201X101.6X3 TUBE	015023-1	1	
28	BRACKET WELDMENT, REAR MAIN TUBE COVER	087105-1	1	
29	WASHER, 8.4 FLAT ZINC	F81054-1	2	
30	WASHER, 8.2 SPLIT LOCK ZINC	F81054-4	2	
31	BOLT, M8X25-8.8-B HEX HEAD FULL THREAD Z	F81002-5	2	
32	WASHER, 17 SPLIT LOCK ZINC	F81058-1	4	
33	NUT, M16-8 HEX NYLON ZINC LOCK	F81036-2	2	
34	BOLT, M16X140 HEX HEAD ZINC GRADE 8.8	F81006-4	2	

8.49 Leg, Front Stationary Adjustable (Part No. 550138)

550138_001
550138_MANUAL

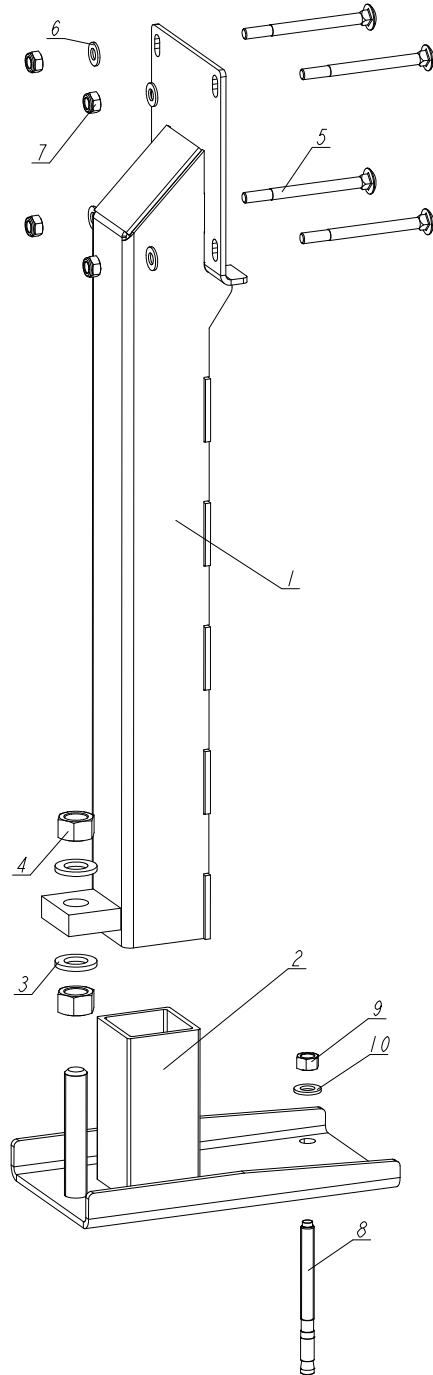


REF	DESCRIPTION (◆ indicates parts available in assemblies only)	PART #	QTY
-	LEG, FRONT STATIONARY ADJUSTABLE	550138	1
1	LEG, FRONT STATIONARY ADJUSTABLE	550139-1	1
2	FOOT, WIDE	501084-1	1
3	WASHER, 21 FLAT ZINC	F81059-2	2
4	NUT, M20-8 HEX ZINC	F81037-1	2
-	ANCHOR, M12X140MM KMC EXPRES	084529	1

REF	DESCRIPTION (◆ indicates parts available in assemblies only)	PART #	QTY	
5	ANCHOR, M12X140MM KMC EXPRES	084529	1	
6	NUT M12 ZC 8 DIN 934	F81034-1	1	
7	WASHER, 13 FLAT ZINC	F81056-1	1	

8.50 Leg, Main Tube High (Part No. 550134)

550134_001
550134_MANUAL

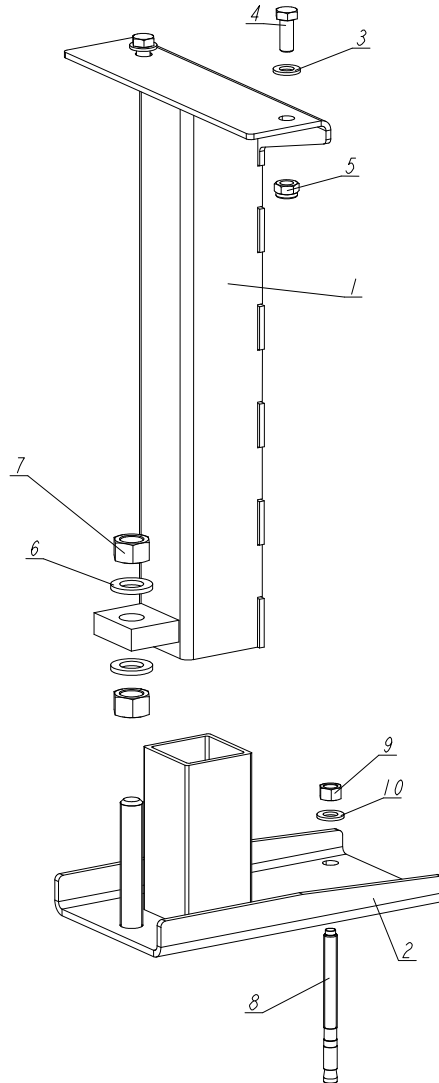


REF	DESCRIPTION (◆ indicates parts available in assemblies only)	PART #	QTY
-	LEG, MAIN TUBE HIGH	550134	1
1	LEG, MAIN TUBE HIGH	550135-1	1
2	FOOT, WIDE	501084-1	1
3	WASHER, 21 FLAT ZINC	F81059-2	2
4	NUT, M20-8 HEX ZINC	F81037-1	2
5	BOLT, M10X120 8.8 CARRIAGE ZINC	F81003-33	4

REF	DESCRIPTION (◆ indicates parts available in assemblies only)	PART #	QTY	
6	WASHER, 10.5 FLAT ZINC	F81055-1	4	
7	NUT, M10-8-B HEX NYLON ZINC LOCK	F81033-1	4	
-	ANCHOR, M12X140MM KMC EXPRES	084529	1	
8	ANCHOR, M12X140MM KMC EXPRES	084529	1	
9	NUT M12 ZC 8 DIN 934	F81034-1	1	
10	WASHER, 13 FLAT ZINC	F81056-1	1	

8.51 Leg, Middle Stationary Adjustable (Part No. 550126)

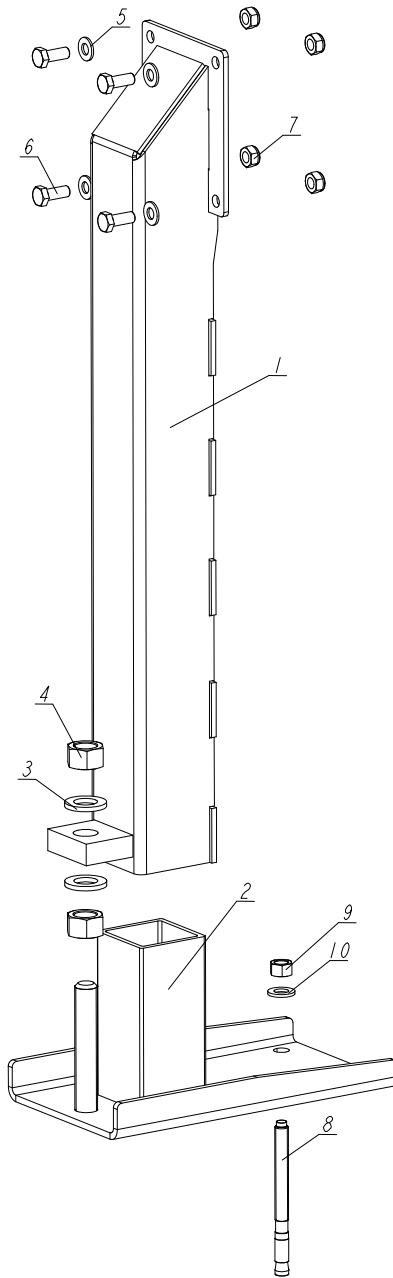
550126_001
550126_MANUAL



REF	DESCRIPTION (◆ indicates parts available in assemblies only)	PART #	QTY
-	LEG, MIDDLE STATIONARY ADJUSTABLE	550126	1
1	LEG, MIDDLE STATIONARY ADJUSTABLE	550127-1	1
2	FOOT, WIDE	501084-1	1
3	WASHER, 13 FLAT ZINC	F81056-1	2
4	BOLT, M12X30 8.8 HEX HEAD FULL THREAD ZI	F81004-22	2
5	NUT, M12 8 HEX NYLON ZINC LOCK	F81034-2	2
6	WASHER, 21 FLAT ZINC	F81059-2	2
7	NUT, M20-8 HEX ZINC	F81037-1	2
-	ANCHOR, M12X140MM KMC EXPRES	084529	1
8	ANCHOR, M12X140MM KMC EXPRES	084529	1
9	NUT M12 ZC 8 DIN 934	F81034-1	1
10	WASHER, 13 FLAT ZINC	F81056-1	1

8.52 Leg, Left Stationary Adjustable (Part No. 550130)

550130_001
550130_MANUAL



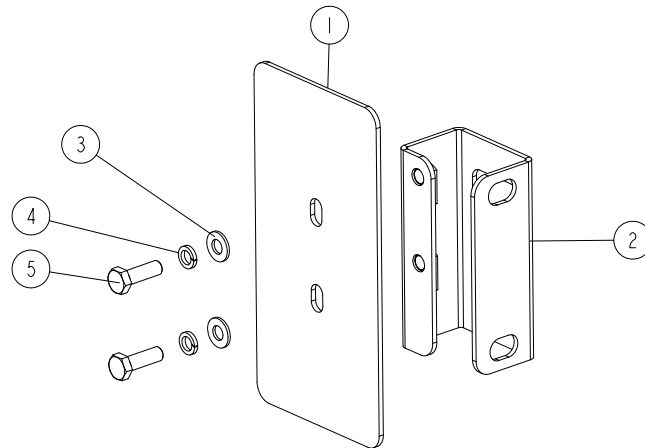
REF	DESCRIPTION (◆ indicates parts available in assemblies only)	PART #	QTY
-	LEG, LEFT STATIONARY ADJUSTABLE	550130	1
1	LEG, LEFT STATIONARY ADJUSTABLE	550131-1	1
2	FOOT, WIDE	501084-1	1
3	WASHER, 21 FLAT ZINC	F81059-2	2
4	NUT, M20-8 HEX ZINC	F81037-1	2
5	WASHER, 10.5 FLAT ZINC	F81055-1	4
6	BOLT, M10X25 8.8 HEX HEAD FULL THREAD ZI	F81003-11	4
7	NUT, M10-8-B HEX NYLON ZINC LOCK	F81033-1	4
-	ANCHOR, M12X140MM KMC EXPRES	084529	1



Leg, Left Stationary Adjustable (Part No. 550130)

REF	DESCRIPTION (◆ indicates parts available in assemblies only)	PART #	QTY	
8	ANCHOR, M12X140MM KMC EXPRES	084529	1	
9	NUT M12 ZC 8 DIN 934	F81034-1	1	
10	WASHER, 13 FLAT ZINC	F81056-1	1	

8.53 Main Tube Cover Assembly (Part No. 093052)

093052_001
093052_MANUAL

REF	DESCRIPTION (◆ indicates parts available in assemblies only)	PART #	QTY	
-	COVER ASSEMBLY, MAIN TUBE	093052	1	
1	PLATE, 201X101.6X3 COVER	015023-1	1	
2	BRACKET WELDMENT, REAR TUBE COVER	087105-1	1	
3	WASHER, 8.4 FLAT ZINC	F81054-1	2	
4	WASHER 8,2 SPLIT LOCK ZINC	F81054-4	2	
5	BOLT, M8X25-8.8-B HEX HEAD FULL THREAD ZINC	F81002-5	2	

SECTION 9 HYDRAULIC SYSTEM

9.1 Hydraulic Boxes, LT40/LT70

REF	DESCRIPTION (◆ indicates parts available in assemblies only)	PART #	QTY	
-	BOX, AH4 LT40/70 HYDRAULIC CONTROL - COM	096642 ¹	-	
-	BOX, LT40/70 AC 17-SECTION HYDRAULIC CON	513995 ²	-	
-	BOX, LT40/70 AC 16-SECTION HYDRAULIC - COMPLETE	522984 ³	-	
-	HYDRAULIC CONTROL BOX, LT40/70AC BX24 10	513997 ⁴	-	
-	BOX, AH6 HYDRAULIC	096793 ⁵	-	

¹ For LT40/70 M AC

² For LT40/70 M AC

³ For LT40/70 M AC

⁴ For LT40/70 M AC

⁵ For LT40/70 M AC



HYDRAULIC SYSTEM

LT40/LT70 Hydraulic Control Boxes

9.2 LT40/LT70 Hydraulic Control Boxes

REF.	DESCRIPTION (◆ indicates parts available in assemblies only)	PART #	QTY	
-	BOX, AH4 LT40/70 HYDRAULIC CONTROL - COMPLETE	096642 ¹	-	
-	BOX, LT40/70 AC 17-SECTION HYDRAULIC - COMPLETE	513995 ²	-	
-	BOX, LT40/70 18-SECTION HYDRAULIC - COMPLETE	531246 ³	-	
-	BOX, LT40/70 AC 16-SECTION HYDRAULIC - COMPLETE	522984 ⁴	-	
-	HYDRAULIC CONTROL BOX, LT40/70AC BX24 10	513997 ⁵	-	
-	BOX, AH6 HYDRAULIC	096793 ⁶	-	

¹ For LT40/70 M AC

² For LT40/70 M AC

³ For LT40/70 M AC

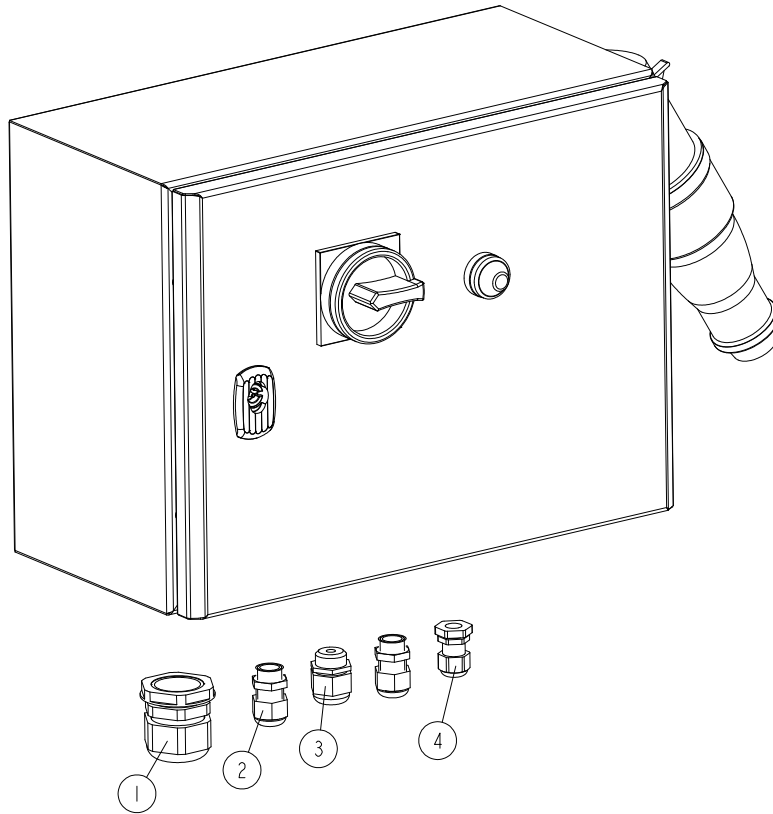
⁴ For LT40/70 M AC

⁵ For LT40/70 M AC

⁶ For LT40/70 M AC

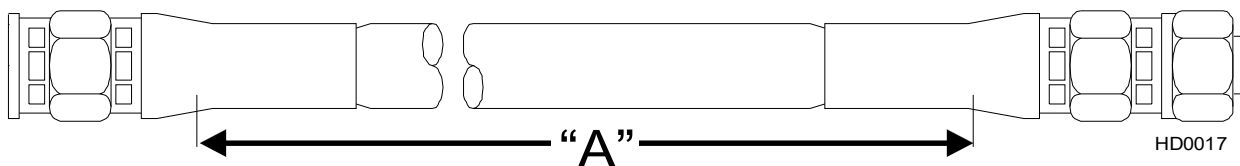
9.3 Hydraulic Electric Box, AC

557003-RC_001
 557003-RC



REF.	DESCRIPTION (◆ indicates parts available in assemblies only)	PART #	QTY
-	BOX, ELECTRICAL AC	557003-RC	1
1	SEAL, DP 29/H GLAND	F81096-1	1
2	GLAND, DW11/H CABLE	085388	2
3	GLAND, DP 13/H CABLE	F81096-4	1
4	GLAND, DP 9/H CABLE	F81096-2	1

9.4 Hydraulic Hoses



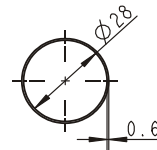
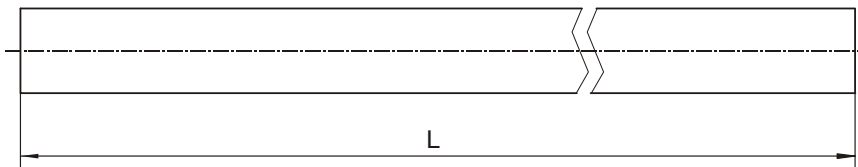
Color Code	LENGTH "A" [m]	Application	Wood-Mizer Part No.
None	0.46	1/4" HYDRAULIC PUMP TO VALVE	015704
None	0.46	1/4" HYDRAULIC PUMP TO VALVE	015704
Plain	0.69	3/8" LOG TURNER CYLINDER BASE	014796
Orange	0.53	3/8" LOG TURNER CYLINDER TOP	087775
Yellow	2.66	1/4" FRONT TOE BOARD TOP (LT40S)	087790
	3.81	1/4" FRONT TOE BOARD TOP (LT40M)	087776
Gray	2.66	1/4" FRONT TOE BOARD BASE (LT40S)	087790
	3.81	1/4" FRONT TOE BOARD BASE (LT40M)	087776
Plain	4.21	3/8" SIDE SUPPORT CYLINDER TOP (LT40S)	087791
	4.77	3/8" SIDE SUPPORT CYLINDER TOP (LT40M)	087777
Pink	4.21	3/8" SIDE SUPPORT CYLINDER BASE (LT40S)	087791
	4.77	3/8" SIDE SUPPORT CYLINDER BASE (LT40M)	087777
White	3.68	3/8" CLAMP CYLINDER TOP (LT40S)	087792
	3.98	3/8" Clamp Cylinder Top (LT40M)	087778
Dark Orange	3.27	3/8" CLAMP CYLINDER BASE (LT40S)	087793
	3.83	3/8" CLAMP CYLINDER BASE (LT40M)	087779
Purple	5.18	1/4" REAR TOE BOARD TOP (LT40S)	087794
	5.74	1/4" REAR TOE BOARD TOP (LT40M)	087780
Black	5.18	1/4" REAR TOE BOARD BASE (LT40S)	087794
	5.74	1/4" REAR TOE BOARD BASE (LT40M)	087780
Green	1.58	3/8" LOADING ARM BRANCH TOP	014797
Yellow	1.60	3/8" LOADING ARM BRANCH BASE	014798
Yellow	1.80	3/8" LOADING ARM BRANCH BASE	093329
Blue	4.34	3/8" LOADING ARM CYLINDER TOP (LT40S)	087795
	4.90	3/8" LOADING ARM CYLINDER TOP (LT40M)	087781
Red	4.34	3/8" LOADING ARM CYLINDER BOTTOM (LT40S)	087795
	4.90	3/8" LOADING ARM CYLINDER BOTTOM (LT40M)	087781
Green	4.57	1/4" CLAMP UP (LT40S)	087796
	5.13	1/4" CLAMP UP (LT40M)	087789
Yellow	4.57	1/4" CLAMP DOWN (LT40S)	087796
	5.13	1/4" CLAMP DOWN (LT40M)	087789
White	4.00	1/4" FRONT LOG CLAMP, IN/OUT CYLINDER BOTTOM (A/DH5)	094778
Orange	4.00	1/4" FRONT LOG CLAMP, IN/OUT CYLINDER TOP (A/DH5)	094778
Red	3.80	1/4" FRONT LOG CLAMP, UP/DOWN CYLINDER BOTTOM (A/DH5)	094779
Blue	3.80	1/4" FRONT LOG CLAMP, UP/DOWN CYLINDER TOP (A/DH5)	094779

TABLE 9-1

White	6.00	1/4" REAR LOG CLAMP, IN/OUT CYLINDER BOTTOM (A/DH5)	094780
Orange	6.00	1/4" REAR LOG CLAMP, IN/OUT CYLINDER TOP (A/DH5)	094780
Red	5.60	1/4" REAR LOG CLAMP, UP/DOWN CYLINDER BOTTOM (A/DH5)	094781
Blue	5.60	1/4" REAR LOG CLAMP, UP/DOWN CYLINDER TOP (A/DH5)	094781
Plain	0.40	1/4" HYDRAULIC VALVE TO OIL FLOW CONTROL VALVE (A/DH5)	094782
Plain	0.53	1/4" HYDRAULIC PUMP TO OIL FLOW CONTROL VALVE (A/DH5)	087775
Red	1.50	1/4" FIRST CLAMP, UP/DOWN CYLINDER BOTTOM (A/DH7)	095211
Blue	1.50	1/4" FIRST CLAMP, UP/DOWN CYLINDER TOP (A/DH7)	095211
Red	4.00	1/4" SECOND CLAMP, UP/DOWN CYLINDER BOTTOM (A/DH7)	095212
Blue	4.00	1/4" SECOND CLAMP, UP/DOWN CYLINDER TOP (A/DH7)	095212
Red	8.00	1/4" THIRD CLAMP, UP/DOWN CYLINDER BOTTOM (A/DH7)	095213
Blue	8.00	1/4" THIRD CLAMP, UP/DOWN CYLINDER TOP (A/DH7)	095213
Orange	0.40	1/4" HYDRAULIC VALVE POWER CORD TO CLAMP IN/OUT CYLINDER T-FITTING, BOTTOM (A/DH7)	095214
White	0.40	1/4" HYDRAULIC VALVE POWER CORD TO CLAMP IN/OUT CYLINDER T-FITTING, TOP (A/DH7)	095214
Orange	7.00	1/4" THIRD CLAMP, IN/OUT CYLINDER BOTTOM (A/DH7)	095215
White	7.00	1/4" THIRD CLAMP, IN/OUT CYLINDER TOP (A/DH7)	095215
Orange	2.50	1/4" FIRST/SECOND CLAMP, IN/OUT CYLINDER BOTTOM (A/DH7)	095216
White	2.50	1/4" FIRST/SECOND CLAMP, IN/OUT CYLINDER TOP (A/DH7)	095216
Orange	1.20	1/4" FIRST/SECOND CLAMP, IN/OUT CYLINDER BOTTOM (A/DH7)	095217
White	1.20	1/4" FIRST/SECOND CLAMP, IN/OUT CYLINDER TOP (A/DH7)	095217

TABLE 9-1

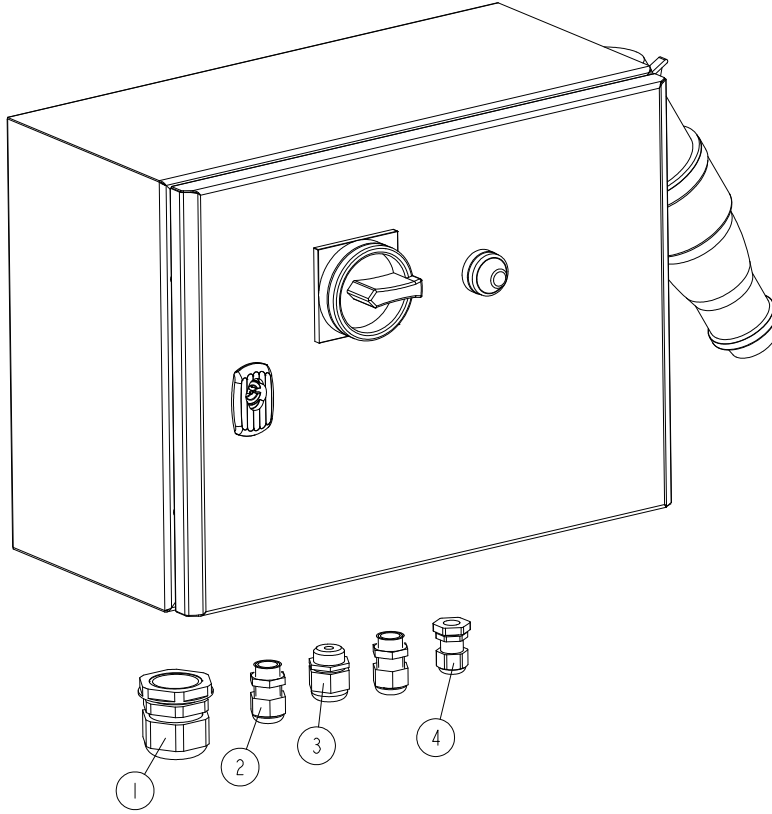
Protective Conduits, LT70 Series A/DH Hydraulic Hoses



REF.	DESCRIPTION (◆ indicates parts available in assemblies only)	PART #	QTY
0.70	PROTECTIVE CONDUIT, LOG TURNER HOSE	099761	2
0.28	PROTECTIVE CONDUIT, CLAMP IN/OUT CYLINDER	099762	1
0.45	PROTECTIVE CONDUIT, IN/OUT CYLINDER HOSE - TOP	099763	1
1.35	PROTECTIVE CONDUIT, CLAMP UP/DOWN CYLINDER	099764	1
1.65	PROTECTIVE CONDUIT, CLAMP UP/DOWN CYLINDER	099765	1

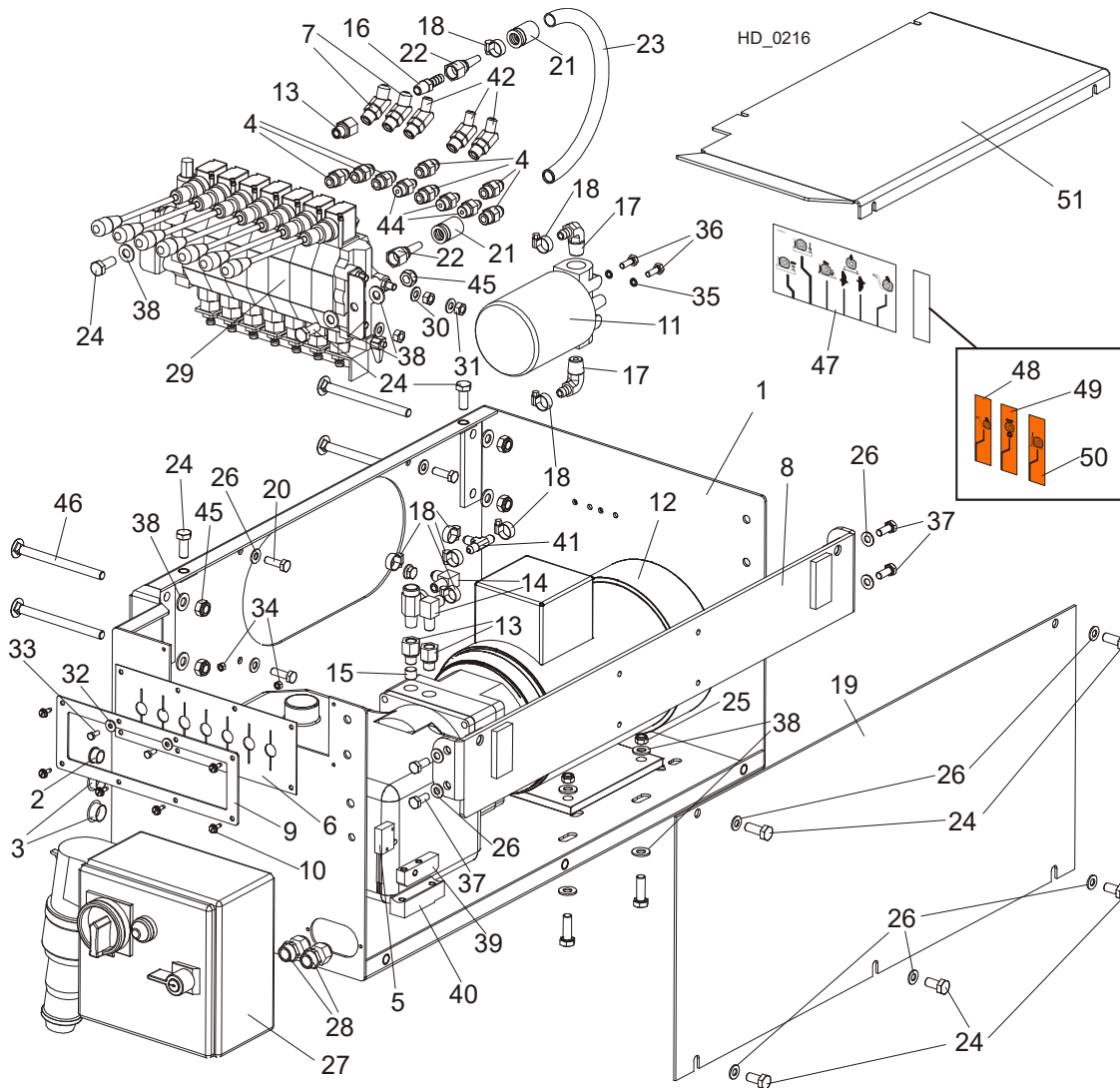
9.5 Hydraulic Electric Box, AC

557003-RC_001
557003-RC



REF.	DESCRIPTION (◆ indicates parts available in assemblies only)	PART #	QTY
-	BOX, ELECTRIC AC	557003-RC	1
1	SEAL, DP 29/H GLAND	F81096-1	1
2	GLAND, DW11/H CABLE	085388	2
3	GLAND, DP 13/H CABLE	F81096-4	1
4	GLAND, DP 9/H CABLE	F81096-2	1

9.6 Hydraulic Control Box, LT40/70 AH-7 (Option)



REF.	DESCRIPTION (◆ indicates parts available in assemblies only)	PART #	QTY
	BOX, AH 7-SECTION LT40/70 HYDRAULIC CONTROL	510563	1
1	BOX WELDMENT, 7-SECTION HYDRAULIC	510564-1	1
2	GROMMET, 15,9 UB625 RUBBER	086816	1
3	CAP, SR1086 22.2 HOLE	093544	2
4	PUMP ASSEMBLY, AC super 4kW 14.5l/min W/MOTOR	086789	1
5	FITTING, 3/8 O-RING-3/8JIC	014687	7
6	SWITCH, 2A 125V R-LEVER NO/NC/COM	014765	1
7	GUARD, 7-SECTION HYD. VALVE RUBBER	510566	1
8	FITTING, #6SAE 45 DEG ELBOW	015489	2
9	BRACKET, AC HYDRAULIC BOX - COMPLETE	086518-1	1
10	PLATE, RUBBER GUARD MOUNTING	510567-1	1
11	SCREW, #10-24x1/2 SELF-TAPPING	f05015-7	5
12	MANIFOLD, W/FILTER	P22683	1
13	PUMP, AC.5,5KW 18.5L/MIN HYDRAULIC W/MOTOR	517840	1



HYDRAULIC SYSTEM

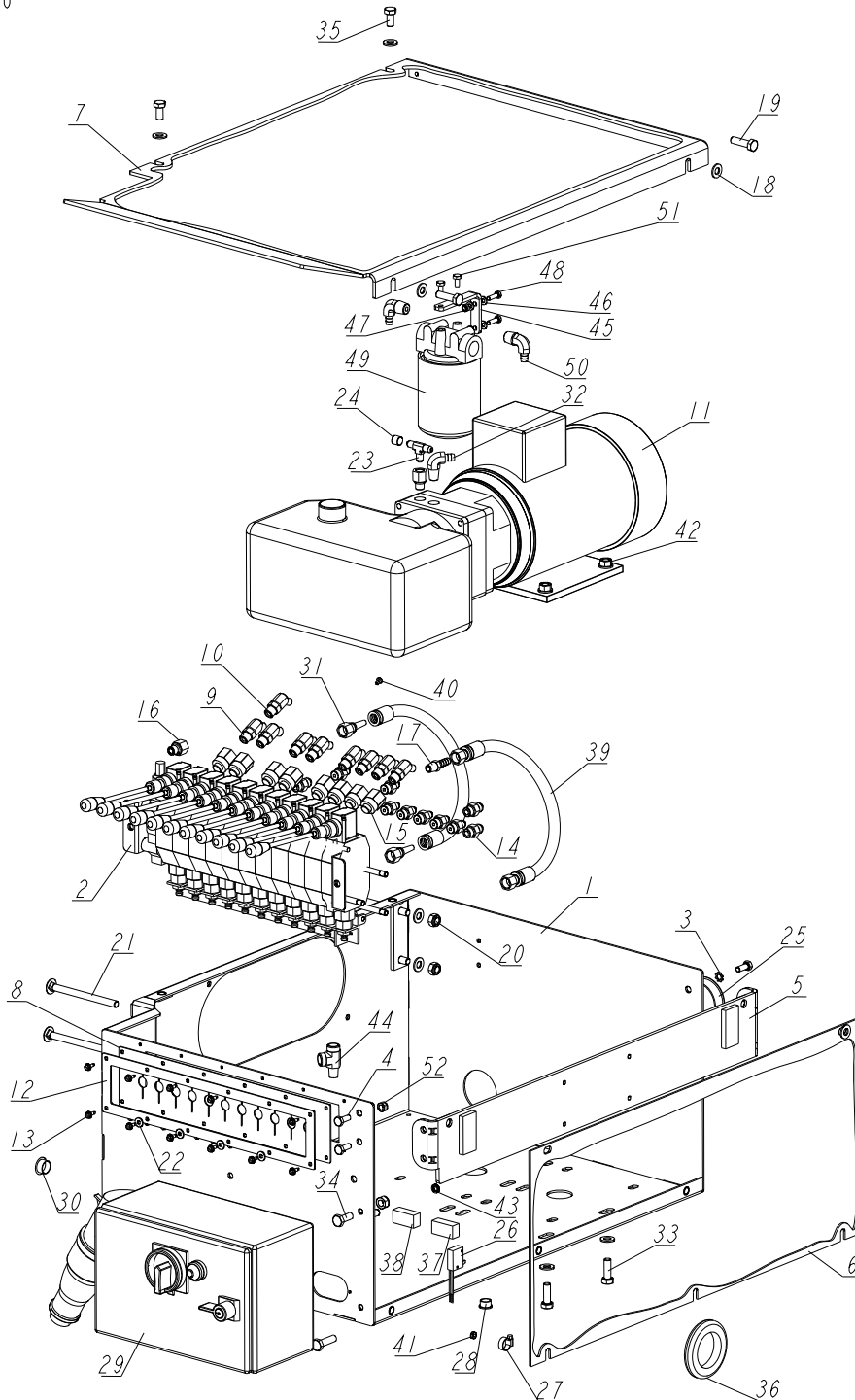
Hydraulic Control Box, LT40/70 AH-7 (Option)

14	FITTING, 6SAE MALE-1/4NPT FEMALE	014686	3	
15	FITTING, 3/8JIC-1/4NPT 90L	015491	2	
16	PLUG, 1/4-18 NPT BLANK	096221	2	
17	FITTING, 1/4NPT-3/8 BARB	014685	1	
18	FITTING, 1/2NPT-3/8 BARB ELBOW	p12707	2	
19	CLAMP, 11/16 WORM	061807	8	
20	PANEL, AC HYDRAULIC BOX FRONT	086484-1	1	
21	BOLT, M8x25-8.8-B HEX HEAD FULL THREAD ZINC	F81002-5	4	
	HOSE, 2T3/8X0.533 W9/16UNF-W9/16UNF HYDRAULIC	087775	1	
22	CRIMPSOCKET 3/8" HYDRAULIC HOSE	085901	2	
23	FITTING, JIC 9/16-18	085900	2	
24	HOSE, 3/8" (C/S-20MPa)P/N8106-6-06 HYDRAULIC	r02132	1	
25	BOLT, M10X25 8.8 HEX HEAD FULL THREAD ZINC	F81003-11	6	
26	NUT, M8-8-B HEX NYLON ZINC LOCK	F81032-2	4	
27	WASHER, 8.4 FLAT ZINC	F81054-1	13	
28	BOX, AC 4kW LT40/70 STARTER	089799	1	
29	GLAND, DP 11/H CABLE	085388	2	
30	VALVE, 7-SECTION AC HYDRAULIC	510560	1	
31	WASHER, 8.4 FLAT ZINC	F81054-1	6	
32	NUT, M8-8-B HEX ZINC	F81032-1	6	
33	WASHER, 5.5 SPECIAL FLAT ZINC	F81052-3	2	
34	BOLT, M5x12-5.8 HEX HEAD FULL THREAD ZINC	F81000-5	2	
35	NUT, M5-8 HEX ZINC	F81030-1	2	
36	WASHER, Z 6.1 SPLIT LOCK ZINC	F81053-3	2	
37	BOLT, 1/4-20X3/4 FT HHC	F05005-1	2	
38	BOLT, M8x20-8.8-B HEX HEAD FULL THREAD ZINC	F81002-4	4	
39	WASHER, 10.5 FLAT ZINC	F81055-1	16	
40	BUTTON, HOT CONTACT 1997	015253	1	
41	BLOCK, EXTEN. HYD. GROUND CONTACT	015264	1	
42	FITTING, 3/8 BARB TEE	015485	1	
43	FITTING, #4SAE-#6SAE 45 DEG ELBOW	015488	3	
44	BOLT, M10x30-5.8 HEX HEAD FULL THREAD ZINC	F81003-2	4	
45	FITTING, 1/4JIC-3/8 O-RING	P26284	3	
46	NUT, M10-8-B HEX NYLON ZINC LOCK	F81033-1	6	
47	BOLT, M10X125 CARRIAGE	F81003-34	4	
48	DECAL, HYDRAULIC CONTROL SUPER '97 (ENGLISH)	015364-A1	1	
49	DECAL, ADDITIONAL HYDRAULIC SECTION - LOG LOADER	511426 ¹	1	
50	DECAL, ADDITIONAL HYDRAULIC SECTION - POWER ROLLER	511427 ¹	1	
51	DECAL, ADDITIONAL HYDRAULIC SECTION - SIDE SUPPORT	511428 ¹	1	
52	COVER, AC HYDRAULIC CONTROL BOX	086485-1	1	

¹ Depending on order

9.7 Hydraulic Control Box, 11-Section AC

510570_001
510570



REF.	DESCRIPTION (◆ indicates parts available in assemblies only)	PART #	QTY	
-	BOX, AH 6-7 11-SECTION LT40/70 HYDRAULIC	510570	1	
1	BOX WELDMENT, HYDRAULIC	545691-1	1	
2	VALVE, 11-SECTION HDS11/10 HYDRAULIC	510568	1	
3	WASHER, 8.4 EXTERIOR STAR LOCK ZINC	F81054-3	4	

REF.	DESCRIPTION (◆ indicates parts available in assemblies only)	PART #	QTY
4	BOLT, M8X20-8.8-B HEX HEAD FULL THREAD ZINC	F81002-4	4
5	BRACKET, AC HYDRAULIC BOX - COMPLETE	086518-1	1
6	PANEL, AC HYDRAULIC BOX FRONT	086484-1	1
7	COVER, AC/DC HYDRAULIC CONTROL BOX	091734-1	1
8	COVER, 11-SECTION VALVE RUBBER	518926	1
9	FITTING, #6SAE 45 DEG ELBOW	015489	3
10	FITTING, #4SAE-#6SAE 45 DEG. ELBOW	015488	6
11	PUMP, AC-4KW (Q=14,5L/MIN) HYDRAULIC W/M	500958	1
12	COVER, 11-SECTION VALVE GUARD	510571-1	1
13	#10-24X1/2 SLF TP SC	F05015-7	12
14	FITTING, 3/8 O-RING-3/8JIC	014687	4
15	FITTING, 1/4JIC-3/8 O-RING	P26284	10
16	FITTING, 6SAE MALE-1/4NPT FEMALE	014686	2
17	FITTING, 1/4NPT-3/8 BARB	014685	1
18	WASHER, 10.5 FLAT ZINC	F81055-1	21
19	BOLT, M10X35-8.8 HEX HEAD FULL THREAD ZINC	F81003-17	9
20	NUT, M10-8-B HEX NYLON ZINC LOCK	F81033-1	6
21	BOLT, M10X125 CARRIAGE	F81003-34	4
22	WASHER, 5.5 SPECIAL FLAT ZINC	F81052-3	4
23	FITTING, 3/8 BARB TEE	015485	1
24	PLUG, 1/4-18 NPT BLANK	096221	1
25	CAP, HSA2790 (63.6 DIA.)	092859	2
26	SWITCH, 2A 125V R-LEVER NO/NC/COM	014765	1
27	CLAMP, 11/16 WORM	061807	4
28	GROMMET, 15,9 UB625 RUBBER	086816	1
29	BOX, LT40/70 ELECTRICAL	566251	1
30	CAP, SR1086 22.2 HOLE	093544	1
31	HOSE, 2T3/8X0.533 W9/16UNF-W9/16UNF HYDRAULIC	094782	1
32	FITTING, 3/8NPT-3/8 BARB ELBOW	P12708	1
33	BOLT, M10X30-5.8 HEX HEAD FULL THREAD ZINC	F81003-2	4
34	BOLT, M10X25 8.8 HEX HEAD FULL THREAD ZINC	F81003-11	2
35	BOLT, ISO 4017-M10X20-8.8-A2E HEX HEAD	F81003-53	2
36	GROMMET, 55MM DIA. RUBBER	085614	2
37	CONTACT ASSEMBLY, AC NEGATIVE	086624	1
38	CONTACT ASSEMBLY, AC POSITIVE	086625	1
39	HOSE, 2T3/8X0.533 W9/16UNF-W9/16UNF HYDRAULIC	087775	1
40	NOZZLE, D092-O 1MM DIA. PROPANE&BUTANE	091007	1
41	NUT, #10-24 SELF-LOCKING	F05010-14	4
42	NUT, M10-8-B-HEX ZINC	F81033-3	4
43	WASHER, 8.2 SPLIT LOCK ZINC	F81054-4	6
44	FITTING, 1/4NPT MALE RUN TEE	P09141	1
45	BRACKET, OIL FILTER	550029-1	1
46	WASHER, 6.4 FLAT ZINC	F81053-1	4
47	NUT, M6-8-B NYLON HEX ZINC LOCK	F81031-2	2
48	BOLT, M6X20 8.8 HEX HEAD FULL THREAD ZINC	F81001-2	2
49	MANIFOLD, W/FILTER	P22683	1
50	FITTING, 1/2NPT-3/8 BARB ELBOW	P12707	2

HYDRAULIC SYSTEM

Hydraulic Control Box, 11-Section AC

9

REF.	DESCRIPTION (◆ indicates parts available in assemblies only)	PART #	QTY	
51	BOLT, 1/4-20X1/2 HEX HEAD	F05005-15	2	
52	NUT, M8-8-B HEX NYLON ZINC LOCK	F81032-2	4	

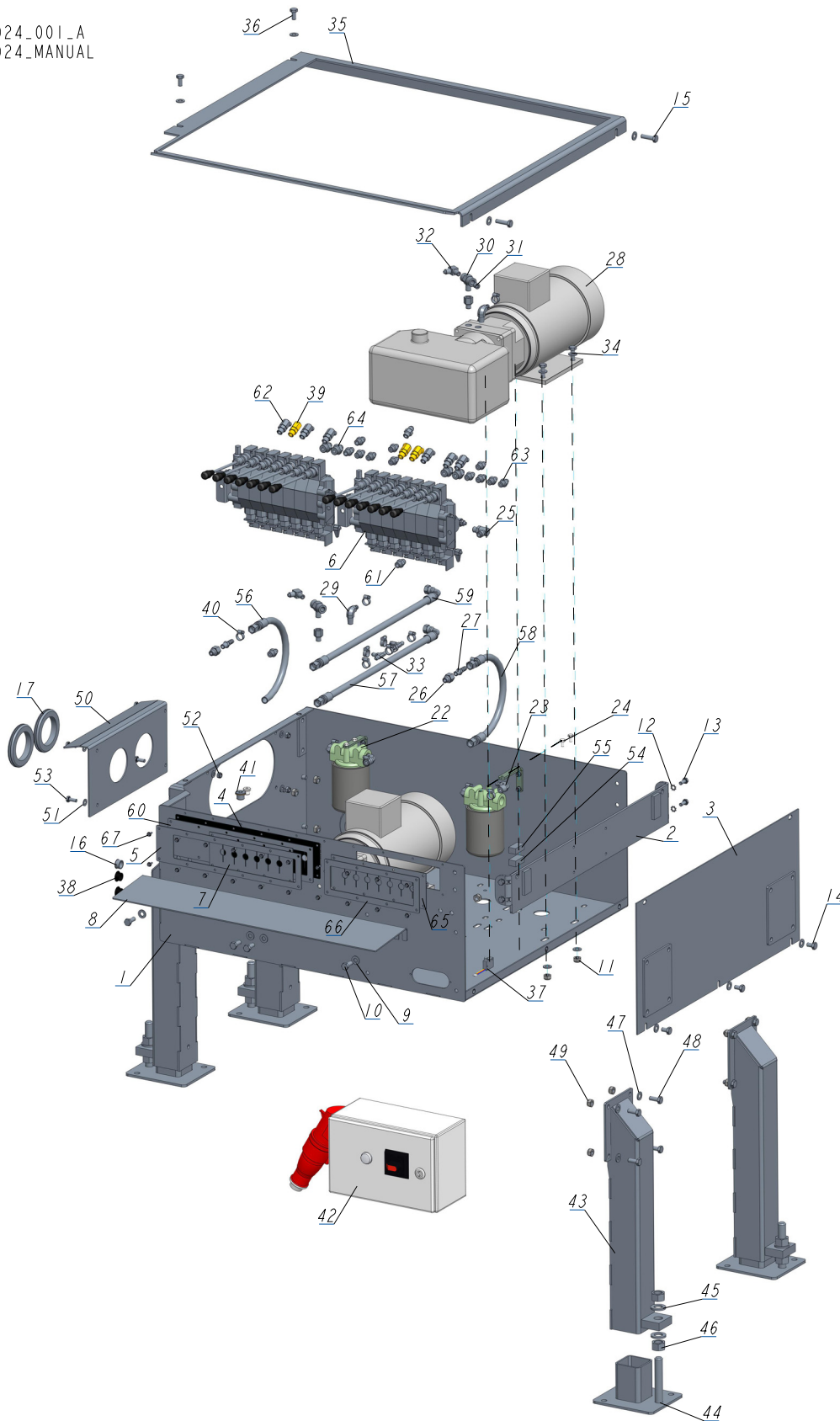


HYDRAULIC SYSTEM

Hydraulic Control Box, LT40/70 AC 14-Section

9.8 Hydraulic Control Box, LT40/70 AC 14-Section

541024_001_A
541024_MANUAL



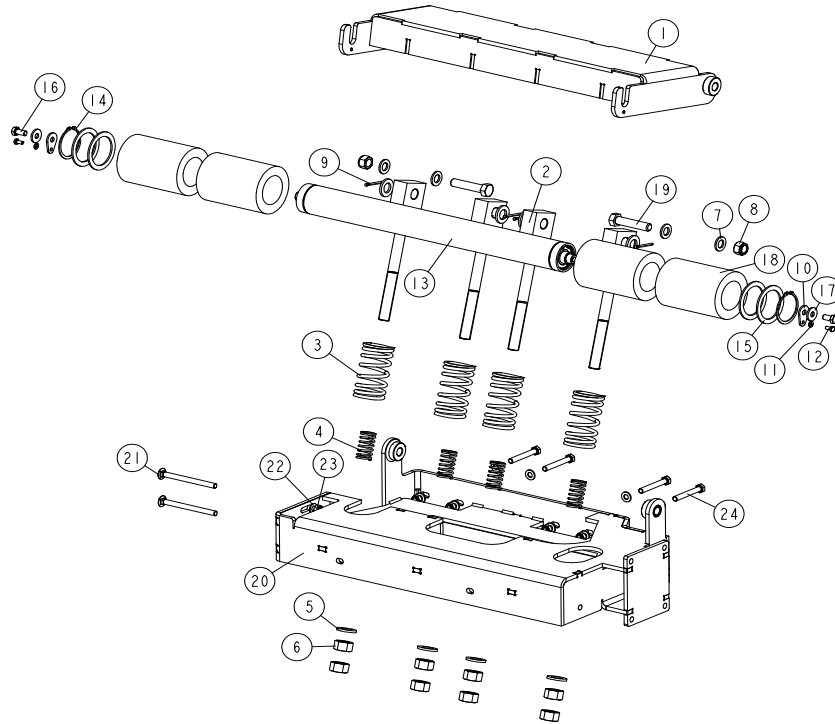
REF.	DESCRIPTION (◆ indicates parts available in assemblies only)	PART #	QTY
-	BOX, LT40/70 AC 14-SECTION HYDRAULIC CON	541024	1

REF.	DESCRIPTION (◆ indicates parts available in assemblies only)	PART #	QTY
1	BOX WELDMENT, HYDRAULIC CONTROL	505946-1	1
2	BRACKET, AC HYDRAULIC BOX MOUNT - COMPLETE	086518-1	1
3	COVER, AC HYDRAULIC BOX FRONT	086484-1	1
4	GUARD, RUBBER HYDRAULIC VALVE 10-SECTION	091739	1
5	PLATE, 10-SECTION VALVE PAINTED	091826-1	1
6	VALVE, 7-SECTION AC HYDRAULIC	510560	2
7	GUARD, RUBBER VALVE DOUBLE	015079	1
8	PLATE FOR DECALS	505949-1	1
9	WASHER, 10.5 FLAT ZINC	F81055-1	27
10	BOLT, M10X25-8.8 HEX HEAD FULL THREAD ZINC	F81003-11	4
11	NUT, M10-8-B NYLON HEX ZINC LOCK	F81033-1	12
12	WASHER, 8.4 EXTERIOR STAR LOCK ZINC	F81054-3	4
13	BOLT, M8X20 8.8 HEX HEAD FULL THREAD ZINC	F81002-4	4
14	BOLT, M10X16-8.8 HEX HEAD FULL THREAD ZINC	F81003-13	3
15	BOLT, M10X35 - 8.8 HEX HEAD FULL THREAD	F81003-17	2
16	GROMET, WIRE	P04137	1
17	COVER, 80 MM RUBBER	089293	4
18	BRACKET, OIL FILTER	550029-1	2
19	WASHER, 6.4 FLAT ZINC	F81053-1	8
20	NUT, M6-8-B HEX NYLON ZINC LOCK	F81031-2	4
21	BOLT, M6X20-8.8 HEX HEAD FULL THREAD ZINC	F81001-2	4
22	MANIFOLD, W/FILTER	P22683	2
23	FITTING, 1/2NPT-3/8 BARB ELBOW	P12707	4
24	BOLT, 1/4-20X1/2 HEX HEAD	F05005-15	4
25	FITTING, #6 SAE 3/8"JIC ELBOW	P12704	1
26	FITTING, 6SAE MALE-1/4NPT FEMALE	014686	4
27	FITTING, 1/4NPT-3/8 BARB	014685	2
28	PUMP, AC.5.5KW 18.5L/MIN HYDRAULIC W/MOTOR	517840	2
29	FITTING, 3/8NPT-3/8 BARB ELBOW	P12708	2
30	FITTING, 1/4NPT BRANCH TEE	015486	2
31	PLUG, 1/4-18 NPT BLANK	096221	1
32	FITTING, 3/8JIC-1/4NPT 90L	015491	2
33	FITTING, 3/8 BARB TEE	015485	2
34	BOLT, M10X30-8.8 HEX HEAD FULL THREAD ZINC	F81003-2	8
35	COVER, HYDRAULIC BOX TOP	505948-1	1
36	BOLT, M10X20-5.8 HEX HEAD FULL THREAD ZINC	F81003-1	2
37	MICROSWITCH, HYDRAULIC VALVE	014765	1
38	CAP, SR1086 22.2 DIA. HOLE	093544	2
39	FITTING, #6SAE 45 DEG. ELBOW	015489	3
40	CLAMP, 11/16 WORM	061807	14
41	PLUG KIT FOR 500508	505060	1
42	HYDRAULIC AC 5.5KW- 2 PUMPS	532190-M	1
-	LEG, LEFT STATIONARY ADJUSTABLE	501639	4
43	TUBE WELDMENT, ADJUSTABLE LEG	507715-1	1
44	FOOT	586948-1	1
45	WASHER, 21 FLAT ZINC	F81059-2	2
46	NUT, M20-8 HEX ZINC	F81037-1	2

REF.	DESCRIPTION (◆ indicates parts available in assemblies only)	PART #	QTY
47	WASHER, 10.5 FLAT ZINC	F81055-1	4
48	BOLT, M10X25-8.8 HEX HEAD FULL THREAD ZINC	F81003-11	4
49	NUT, M10-8-B NYLON HEX ZINC LOCK	F81033-1	4
50	PLATE, HYDRAULIC HOSE COVER - COMPLETE	504261-1	1
51	WASHER, 8,4-FLAT ZINC	F81054-1	8
52	NUT, M8-8-B HEX NYLON ZINC LOCK	F81032-2	4
53	BOLT, M8X20-5.8 HEX HEAD FULL THREAD ZINC	F81002-1	4
54	CONTACT ASSEMBLY, AC NEGATIVE	086624	1
55	CONTACT ASSEMBLY, AC POSITIVE	086625	1
56	HOSE, 2T 3/8X0.533 W9/16UNF-W9/16UNF HYDRAULIC	087775	1
57	HOSE, 2T3/8X1.100 W9/16UNF-W9/16UNF HYDRAULIC	093153	1
58	HOSE, 2T 3/8X0.533 W9/16UNF-W9/16UNF HYDRAULIC	094782	1
59	H22	505338	1
60	PLATE, RUBBER COVER MOUNT	540994-1	1
61	FITTING, 3/8 O-RING-3/8JIC	014687	4
62	FITTING, #4SAE-#6SAE 45 DEG. ELBOW	015488	6
63	FITTING, 1/4JIC-3/8 O-RING	P26284	10
64	FITTING, 8SAE-3/8JIC	P12703	4
65	COVER, RUBBER (7 SECTIONS)	510566	1
66	PLATE, RUBBER COVER MOUNT	510567-1	1
67	BOLT, #10-24 X 1/2" SELF-TAPPING	F05015-7	20

9.9 Shock Absorber Assembly - Option for Sawmills Equipped with Hydraulics

550191_001
550191_MANUAL



REF.	DESCRIPTION (◆ indicates parts available in assemblies only)	PART #	QTY
-	SHOCK ABSORBER, SHORT	550191	1
-	SHORT ROLLER, SHOCK ABSORBER	550192	1
1	ROLLER PLATE, SHOCK ABSORBER	550189-1	1
2	ROD WELDMENT, BUMPER SPRING	510818-1	4
3	SPRING, 110X46X6.5 CUSHION	510815	4
4	SPRING, 60X23X3	088992	4
5	WASHER, 21 FLAT ZINC	F81059-2	8
6	NUT, M20-8 HEX ZINC	F81037-1	8
7	WASHER, 17 FLAT ZINC	F81058-1	4
8	NUT, M16-8 HEX NYLON ZINC LOCK	F81036-2	2
9	PIN, 4X30 COTTER ZINC-PLATED	F81043-22	4
10	WASHER, WM4000 ROLLER MOUNTING	510874-1	2
11	WASHER, 6.4 FLAT ZINC	F81053-1	2
12	BOLT, M6X12-8.8 HEX HEAD FULL THREAD ZINC	F81001-7	2
-	ROLLER W/RUBBER BUSHING	527048	1
13	ROLLER, FRAME M/S	527044-1	1
14	RING, Z60 OUTSIDE RETAINING	F81090-62	2
15	RING, 61/80X3 SPACER	515895	4
16	BOLT, M10X20-5.8 HEX HEAD FULL THREAD ZINC	F81003-1	2
17	WASHER, 10.5 SPECIAL FLAT ZINC	F81055-6	2

REF.	DESCRIPTION (◆ indicates parts available in assemblies only)	PART #	QTY	
18	ROLLER, RUBBER	517493	4	
19	BOLT, M1 6X75-8.B-B HEX HEAD FULL THREAD	F81006-10	2	
20	FRAME, SHORT TABLE	550187-1	1	
21	BOLT, M10X125 CARRIAGE	F81003-34	2	
22	WASHER, 10.5 FLAT ZINC	F81055-1	10	
23	NUT, M10-8-B HEX NYLON ZINC LOCK	F81033-1	6	
24	BOLT, M10X75-8.8 HEX HEAD ZINC	F81003-15	4	

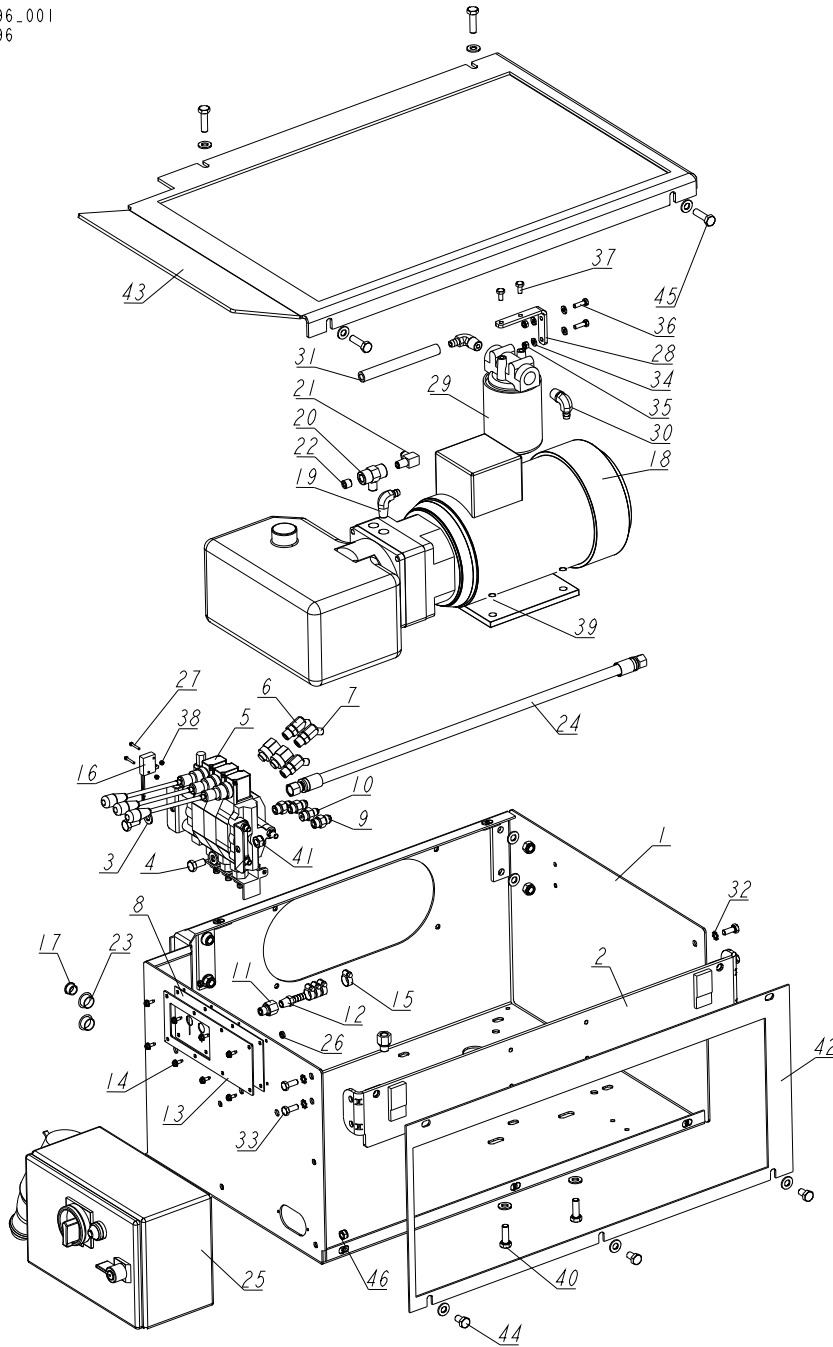


HYDRAULIC SYSTEM

Hydraulic Control Box, LT70 AH1

9.10 Hydraulic Control Box, LT70 AH1

536196_001
536196

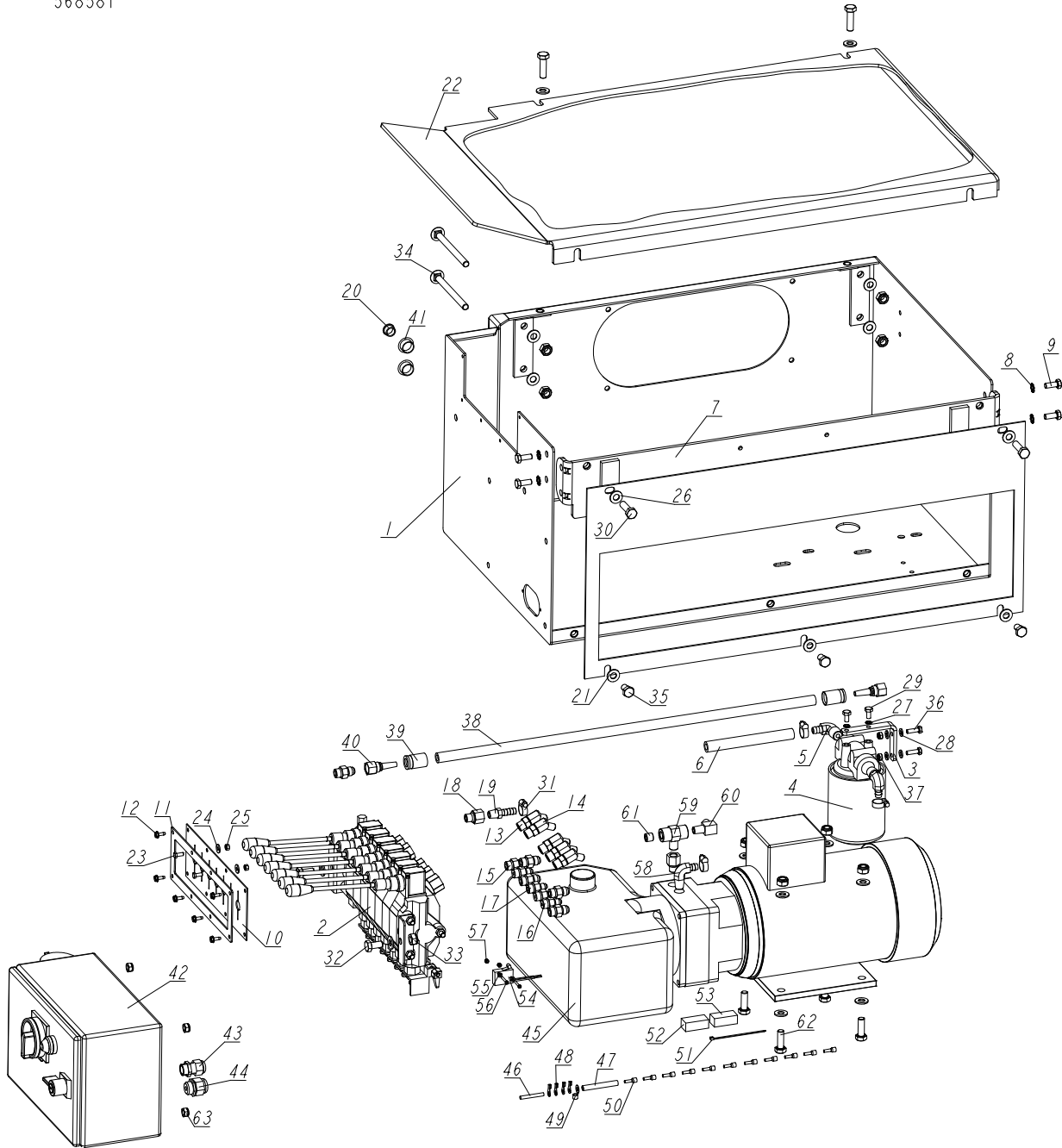


REF.	DESCRIPTION (◆ indicates parts available in assemblies only)	PART #	QTY
-	BOX, AH1 LT70 HYDRAULIC - COMPLETE (AFRICA)	536196	1
1	BOX WELDMENT, LT20 AC HYDRAULIC	545690-1	1
2	BRACKET, AC HYDRAULIC BOX - COMPLETE	086518-1	1
3	WASHER, 10.5 FLAT ZINC	F81055-1	17
4	BOLT, ISO 4017-M10X20-8.8-A2E HEX HEAD	F81003-53	2
5	VALVE, AC 6-SECTION HYDRAULIC	093034	1
6	FITTING, #6SAE 45 DEG. ELBOW	015489	1

REF.	DESCRIPTION (◆ indicates parts available in assemblies only)	PART #	QTY
7	FITTING, #4SAE-#6SAE 45 DEG. ELBOW	015488	2
8	GUARD, RUBBER DOUBLE VALVE	015079	1
9	FITTING, 3/8 O-RING-3/8JIC	014687	3
10	FITTING, 1/4JIC-3/8 O-RING	P26284	1
11	FITTING, 6SAE MALE-1/4NPT FEMALE	014686	2
12	FITTING, 1/4NPT-3/8 BARB	014685	1
13	PLATE, 3-SECTION HYDRAULIC VALVE COVER	092920-1	1
14	#10-24X1/2 SLF TP SC	F05015-7	8
15	CLAMP, 11/16 WORM	061807	4
16	SWITCH, 2A 125V R-LEVER NO/NC/COM	014765	1
17	GROMMET, 15,9 UB625 RUBBER	086816	1
18	PUMP, AC-4KW (Q=14.5L/MIN) HYDRAULIC W/MOTOR	500958	1
19	FITTING, 3/8NPT-3/8 BARB ELBOW	P12708	1
20	FITTING, 1/4NPT MALE RUN TEE	015486	1
21	FITTING, 3/8JIC-1/4NPT 90L	015491	1
22	PLUG, 1/4-18 NPT BLANK	096221	1
23	CAP, SR1086 22.2 HOLE	093544	2
24	HOSE, 2T3/8X0.254 W9/16UNF-WP/16UNF HYDRAULIC	087774	1
25	BOX, LT40/70 ELECTRICAL	566251	1
26	NUT, #10-24 SELF-LOCKING	F05010-14	2
27	SCREW, M3X20-5.8-A SLOTTED CHEESE HEAD ZINC	F81000-8	2
28	BRACKET, OIL FILTER	550029-1	1
29	MANIFOLD, W/FILTER	P22683	1
30	FITTING, 1/2NPT-3/8 BARB ELBOW	P12707	2
31	HOSE, 3/8" LOW PRESSURE HYDRAULIC	R01892-1	1
32	WASHER, 8.4 EXTERIOR STAR LOCK ZINC	F81054-3	4
33	BOLT, M8X20-8.8-B HEX HEAD FULL THREAD ZINC	F81002-4	4
34	WASHER, 6.4 FLAT ZINC	F81053-1	4
35	NUT, M6-8-B NYLON HEX ZINC LOCK	F81031-2	2
36	BOLT, M6X20 8.8 HEX HEAD FULL THREAD ZINC	F81001-2	2
37	BOLT, 1/4-20X1/2 HEX HEAD	F05005-15	2
38	NUT, M3-6 HEX NYLON ZINC LOCK	F81028-2	2
39	NUT, M10-8-B-HEX ZINC	F81033-3	4
40	BOLT, DIN933-M10X30-8.8-A2E HEX HEAD	F81003-111	4
41	NUT, M10-8-B HEX NYLON ZINC LOCK	F81033-1	6
42	PANEL, AC HYDRAULIC BOX FRONT	086484-1	1
43	COVER, AC HYDRAULIC BOX TOP	545693-1	1
44	BOLT, M10X16-8.8 HEX HEAD FULL THREAD ZINC	F81003-13	3
45	BOLT, M10X35-8.8 HEX HEAD FULL THREAD ZINC	F81003-17	4
46	NUT, M8-8-B HEX NYLON ZINC LOCK	F81032-2	4

9.11 Hydraulic Control Box, AHP3/LT40/LT70 Stationary Sawmills 7-Section (M-type Frame)

568581_001
568581



REF.	DESCRIPTION (◆ indicates parts available in assemblies only)	PART #	QTY
-	BOX, AHP3 7-SECTION LT40/70 HYDRAULIC	568581	1
1	BOX WELDMENT, HYDRAULIC	555345-1	1
2	VALVE, 7-SECTION DC HYDRAULIC	545657	1
3	BRACKET, OIL FILTER	550029-1	1
4	MANIFOLD W/FILTER	P22683	1

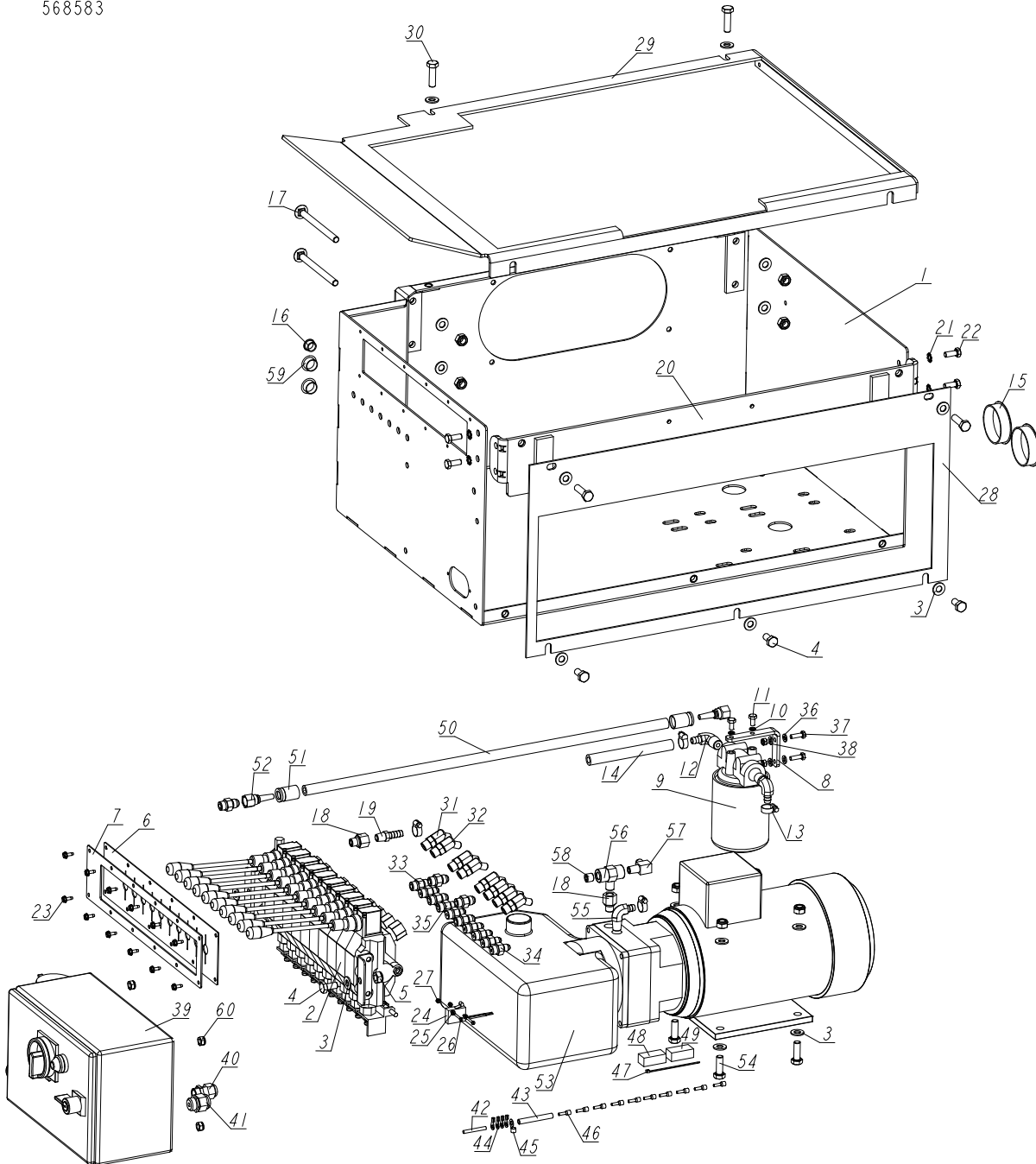
REF.	DESCRIPTION (◆ indicates parts available in assemblies only)	PART #	QTY
5	FITTING, 1/2NPT-3/8 BARB ELBOW	P12707	2
6	HOSE, 3/8" LOW PRESSURE HYDRAULIC	R01892-1	1
7	BRACKET, AC HYDRAULIC BOX - COMPLETE	086518-1	1
8	WASHER, 8.4 EXTERIOR STAR LOCK ZINC	F81054-3	4
9	BOLT, M8X20-8.8-B-HEX HEAD FULL THREAD ZINC	F81002-4	4
10	GUARD, 7-SECTION HYD. VALVE RUBBER	510566	1
11	PLATE, RUBBER GUARD MOUNTING	510567-1	1
12	#10-24X1/2 SLF TP SC	F05015-7	6
13	FITTING, #6SAE 45 DEG ELBOW	015489	1
14	FITTING, #4SAE-#6SAE 45 DEG ELBOW	015488	4
15	FITTING, 3/8 O-RING-3/8JIC	014687	6
16	FITTING, 1/4JIC-3/8 O-RING	P26284	3
17	ZN-140 UNF9/16-18/7/16-20	555134	1
18	FITTING, 6SAE MALE-1/4NPT FEMALE	014686	2
19	FITTING, 1/4NPT-3/8 BARB	014685	1
20	GROMMET, 15,9 UB625 RUBBER	086816	1
21	PANEL, AC HYDRAULIC BOX FRONT	086484-1	1
22	COVER, AC HYDRAULIC BOX TOP	545693-1	1
23	BOLT, M5X12-5.8 HEX HEAD FULL THREAD ZINC	F81000-5	2
24	WASHER, 5.5 SPECIAL FLAT ZINC-PLATED	F81052-3	2
25	NUT, M5-8 HEX ZINC	F81030-1	2
26	WASHER 10,5 ZC DIN 126 ISO 7091	F81055-1	21
27	WASHER 6.1 ZC SPRING LOCK DIN 127	F81053-3	2
28	WASHER 6.4 ZC DIN 126 ISO 7091	F81053-1	4
29	BOLT, 1/4-20X1/2 HEX HEAD	F05005-15	2
30	BOLT, M10X35-8.8 HEX HEAD FULL THREAD ZINC	F81003-17	4
31	Clamp, 11/16 Worm	061807	4
32	BOLT, ISO 4017-M10X20-8.8-A2E HEX HEAD	F81003-53	2
33	NUT M10 ZC 8 NYLOCK DIN 982 ISO 7040	F81033-1	10
34	BOLT, M10X125 CARRIAGE	F81003-34	2
35	BOLT, M10X16-8.8 HEX HEAD FULL THREAD ZINC	F81003-13	3
36	BOLT, M6X20 8.8 HEX HEAD FULL THREAD ZINC	F81001-2	2
37	NUT M6 ZC 8 NYLOCK DIN 982 ISO 7040	F81031-2	2
-	HOSE, 2T3/8X0.254 W9/16UNF-WP/16UNF HYDRAULIC	087774	1
38	HOSE, 3/8 HYDRAULIC	R02132_0_25	1
39	CRIMP SOCKET 3/8" HYDRAULIC HOSE	085901	2
40	FITTING, JIC 9/16-18 HYDRAULIC	085900	2
41	CAP, SR1086 22.2 HOLE	093544	2
42	BOX, LT40/70 ELECTRICAL	566251	1
43	GLAND, DW11/H CABLE	085388	1
44	GLAND, DP 13/H CABLE	F81096-4	1
45	PUMP, AC-4KW (Q=14,5L/MIN) HYDRAULIC W/M	500958	1
46	CABLE, OLFLEX 400P 4G1 (DRUM)	R80583-6	1
47	HOSE, PCV 8X1 BLACK	R80610-1	1
48	TERMINAL, KO 2.5/5 RING	F81064-1	4
49	TERMINAL, 1/4 18GA RING NI LOOSE	F05092-7	1
50	TERMINAL, HI 1/6 CABLE END	F81083-3	11

HYDRAULIC SYSTEM*Hydraulic Control Box, AHP3/LT40/LT70 Stationary Sawmills 7-Section (M-type Frame)*

REF.	DESCRIPTION (◆ indicates parts available in assemblies only)	PART #	QTY	
51	TIE WRAP, TK 9/3	F81082-4	1	
52	CONTACT ASSEMBLY, AC NEGATIVE	086624	1	
53	CONTACT ASSEMBLY, AC POSITIVE	086625	1	
54	SWITCH, 2A 125V R-LEVER NO/NC/COM	014765	1	
55	WASHER, 3.2 FLAT ZINC	F81050-2	2	
56	SCREW, M3X20-5.8-A SLOTTED CHEESE HEAD ZINC	F81000-8	2	
57	NUT, M3-6 HEX NYLON ZINC LOCK	F81028-2	2	
58	FITTING, 3/8NPT-3/8 BARB ELBOW	P12708	1	
59	FITTING, 1/4NPT MALE RUN TEE	015486	1	
60	FITTING, 3/8JIC-1/4NPT 90L	015491	1	
61	PLUG, 1/4-18 NPT BLANK	096221	1	
62	BOLT, DIN933-M10X30-8.8-A2E HEX HEAD	F81003-111	4	
63	NUT M8 ZC 8 NYLOCK DIN 982 ISO 7040	F81032-2	4	

9.12 Hydraulic Control Box, AHP5/LT40/LT70 Stationary Sawmills 10-Section (M-type Frame)

568583_001
568583



REF.	DESCRIPTION (◆ indicates parts available in assemblies only)	PART #	QTY
-	BOX, AHP5 10-SECTION LT40/70 HYDRAULIC	568583	1
1	BOX WELDMENT, HYDRAULIC	545691-1	1
2	VALVE, HDS11/10-6 10-SECTION	091344	1
3	WASHER 10,5 ZC DIN 126 ISO 7091	F81055-1	21
4	BOLT, ISO 4017-M10X20-8.8-A2E HEX HEAD	F81003-53	5
5	NUT M10 ZC 8 NYLOCK DIN 982 ISO 7040	F81033-1	10



HYDRAULIC SYSTEM

Hydraulic Control Box, AHP5/LT40/LT70 Stationary Sawmills 10-Section (M-type Frame)

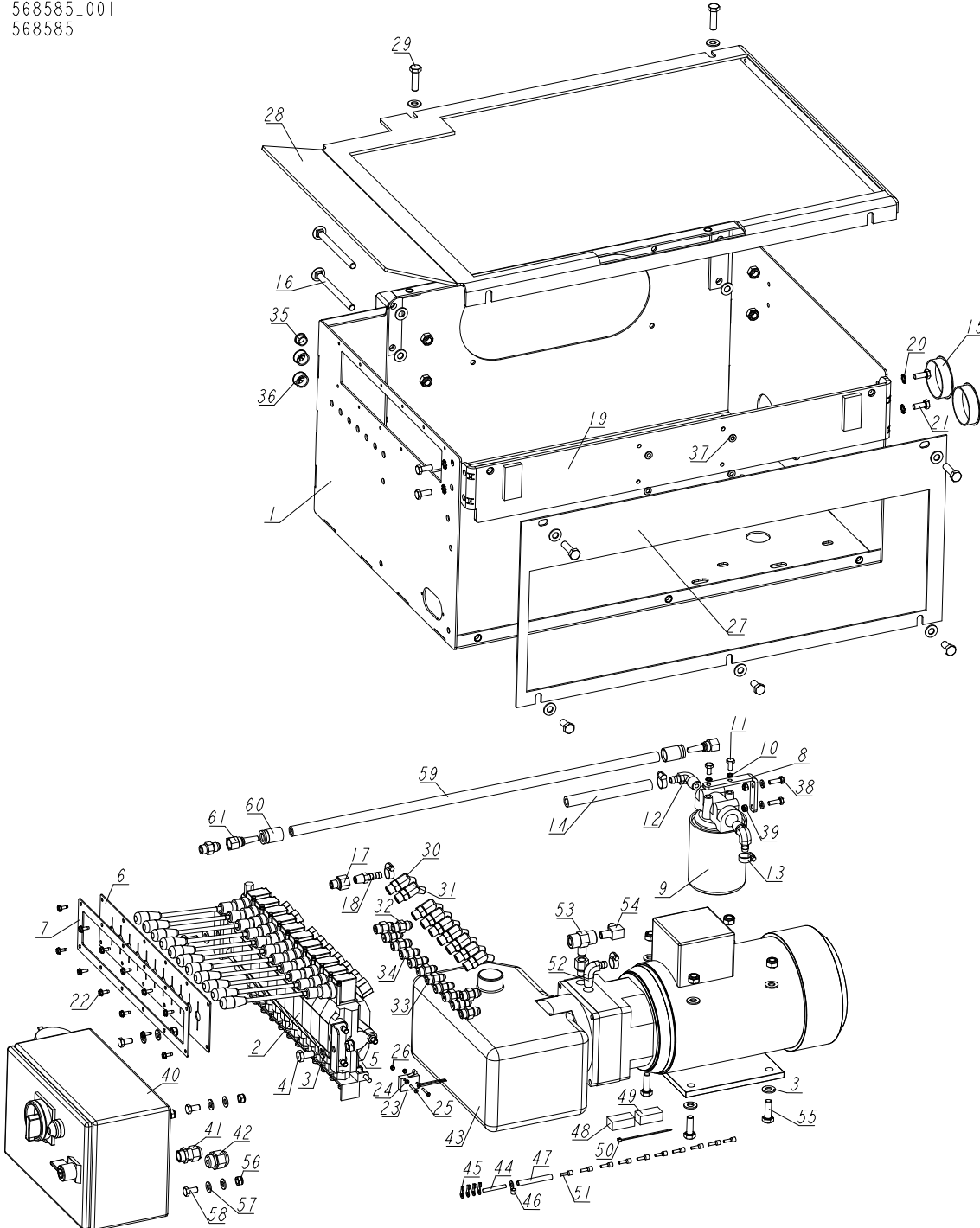
REF.	DESCRIPTION (◆ indicates parts available in assemblies only)	PART #	QTY
6	GUARD, 10-SECTION RUBBER HYDRAULIC VALVE	091739	1
7	PLATE, 10-SECTION VALVE PAINTED	091826-1	1
8	BRACKET, OIL FILTER	550029-1	1
9	MANIFOLD, W/FILTER	P22683	1
10	WASHER 6.1 ZC SPRING LOCK DIN127	F81053-3	2
11	BOLT, 1/4-20X1/2 HEX HEAD	F05005-15	2
12	FITTING, 1/2NPT-3/8 BARB ELBOW	P12707	2
13	CLAMP, 11/16 WORM	061807	4
14	HOSE, 3/8" LOW PRESSURE HYDRAULIC	R01892-1	1
15	CAP, HSA2790 (63.6 DIA.)	092859	2
16	GROMMET, 15,9 UB625 RUBBER	086816	1
17	BOLT, M10X125 CARRIAGE	F81003-34	2
18	FITTING, 6SAE MALE-1/4NPT FEMALE	014686	2
19	FITTING, 1/4NPT-3/8 BARB	014685	1
20	BRACKET, AC HYDRAULIC BOX - COMPLETE	086518-1	1
21	WASHER, 8.4 EXTERIOR STAR LOCK ZINC	F81054-3	4
22	BOLT, M8X20-8.8-B-HEX HEAD FULL THREAD ZINC	F81002-4	4
23	#10-24X1/2 SLF TP SC	F05015-7	12
24	SWITCH, 2A 125V R-LEVER NO/NC/COM	014765	1
25	WASHER, 3.2 FLAT ZINC	F81050-2	2
26	SCREW, M3X20-5.8-A SLOTTED CHEESE HEAD ZINC	F81000-8	2
27	NUT, M3-6 HEX NYLON ZINC LOCK	F81028-2	2
28	PANEL, AC HYDRAULIC BOX FRONT	086484-1	1
29	COVER, AC/DC HYDRAULIC CONTROL BOX	091734-1	1
30	BOLT, M10X35-8.8 HEX HEAD FULL THREAD ZINC	F81003-17	4
31	FITTING, #6SAE 45 DEG ELBOW	015489	1
32	FITTING, #4SAE-#6SAE 45 DEG ELBOW	015488	7
33	FITTING, 3/8 O-RING-3/8JIC	014687	6
34	FITTING, 1/4JIC-3/8 O-RING	P26284	6
35	ZN-140 UNF9/16-18/7/16-20	555134	1
36	WASHER 6.4 ZC DIN 126 ISO 7091	F81053-1	4
37	BOLT, M6X20 8.8 HEX HEAD FULL THREAD ZINC	F81001-2	2
38	NUT M6 ZC 8 NYLOCK DIN 982 ISO 7040	F81031-2	2
39	BOX, LT40/70 ELECTRICAL	566251	1
40	GLAND, DW11/H CABLE	085388	1
41	GLAND, DP 13/H CABLE	F81096-4	1
42	CABLE, OLFLEX 400P 4G1 (DRUM)	R80583-6	1
43	HOSE, PCV 8X1 BLACK	R80610-1	1
44	TERMINAL, KO 2.5/5 RING	F81064-1	4
45	TERMINAL, 1/4 18GA RING NI LOOSE	F05092-7	1
46	TERMINAL, HI 1/6 CABLE END	F81083-3	10
47	TIE WRAP, TK 9/3	F81082-4	1
48	CONTACT ASSEMBLY, AC NEGATIVE	086624	1
49	CONTACT ASSEMBLY, AC POSITIVE	086625	1
-	HOSE, 2T3/8X0.254 W9/16UNF-WP/16UNF HYDR	087774	1
50	HOSE, 3/8 HYDRAULIC	R02132_0_25	1

Hydraulic Control Box, AHP5/LT40/LT70 Stationary Sawmills 10-Section (M-type Frame)

REF.	DESCRIPTION (◆ indicates parts available in assemblies only)	PART #	QTY	
51	CRIMP SOCKET 3/8" HYDRAULIC HOSE	085901	2	
52	FITTING, JIC 9/16-18 HYDRAULIC	085900	2	
53	PUMP, AC-4KW (Q=14,5L/MIN) HYDRAULIC W/M	500958	1	
54	BOLT, DIN933-M10X30-8.8-A2E HEX HEAD	F81003-111	4	
55	Fitting, 3/8NPT-3/8 Barb Elbow	P12708	1	
56	FITTING, 1/4NPT MALE RUN TEE	015486	1	
57	Fitting, 3/8JIC-1/4NPT 90L	015491	1	
58	PLUG, 1/4-18 NPT BLANK	096221	1	
59	CAP, SR1086 22.2 HOLE	093544	2	
60	NUT M8 ZC 8 NYLOCK DIN 982 ISO 7040	F81032-2	4	

9.13 Hydraulic Control Box, AHP7/LT40/LT70 Stationary Sawmills 11-Section (M-type Frame)

568585_001
568585



REF.	DESCRIPTION (◆ indicates parts available in assemblies only)	PART #	QTY
-	BOX, AHP7 11-SECTION LT40/70 HYDRAULIC	568585	1
1	BOX WELDMENT, HYDRAULIC	545691-1	1
2	VALVE, 11-SECTION HDS11/10 HYDRAULIC	510568_	1
3	WASHER 10,5 ZC DIN 126 ISO 7091	F81055-1	21

Hydraulic Control Box, AHP7/LT40/LT70 Stationary Sawmills 11-Section (M-type Frame)

REF.	DESCRIPTION (◆ indicates parts available in assemblies only)	PART #	QTY
4	BOLT, ISO 4017-M10X20-8.8-A2E HEX HEAD	F81003-53	5
5	NUT M10 ZC 8 NYLOCK DIN 982 ISO 7040	F81033-1	10
6	COVER, 11-SECTION VALVE RUBBER	518926	1
7	COVER, 11-SECTION VALVE GUARD PTD	510571-1	1
8	BRACKET, OIL FILTER	550029-1	1
9	MANIFOLD, W/FILTER	P22683	1
10	WASHER 6.1 ZC SPRING LOCK DIN 127	F81053-3	2
11	BOLT, 1/4-20X1/2 HEX HEAD	F05005-15	2
12	FITTING, 1/2NPT-3/8 BARB ELBOW	P12707	2
13	CLAMP, 11/16 WORM	061807	4
14	HOSE, 3/8" LOW PRESSURE HYDRAULIC	R01892-1	1
15	CAP, HSA2790 (63.6 DIA.)	092859	2
16	BOLT, M10X125 CARRIAGE	F81003-34	2
17	FITTING, 6SAE MALE-1/4NPT FEMALE	014686	2
18	FITTING, 1/4NPT-3/8 BARB	014685	1
19	BRACKET, AC HYDRAULIC BOX - COMPLETE	086518-1	1
20	WASHER, 8.4 EXTERIOR STAR LOCK ZINC	F81054-3	4
21	BOLT, M8X20-8.8-B-HEX HEAD FULL THREAD ZINC	F81002-4	4
22	#10-24X1/2 SLF TP SC	F05015-7	12
23	SWITCH, 2A 125V R-LEVER NO/NC/COM	014765	1
24	WASHER, 3.2 FLAT ZINC	F81050-2	2
25	SCREW, M3X20-5.8-A SLOTTED CHEESE HEAD ZINC	F81000-8	2
26	NUT, M3-6 HEX NYLON ZINC LOCK	F81028-2	2
27	PANEL, AC HYDRAULIC BOX FRONT	086484-1	1
28	COVER, AC/DC HYDRAULIC CONTROL BOX	091734-1	1
29	BOLT, M10X35-8.8 HEX HEAD FULL THREAD ZINC	F81003-17	4
30	FITTING, #6SAE 45 DEG. ELBOW	015489	1
31	FITTING, #4SAE-#6SAE 45 DEG. ELBOW	015488	8
32	FITTING, 3/8 O-RING-3/8JIC	014687	6
33	FITTING, 1/4JIC-3/8 O-RING	P26284	7
34	ZN-140 UNF9/16-18/7/16-20	555134	1
35	GROMMET, 15,9 UB625 RUBBER	086816	1
36	GROMMET, HEYCO WIRE	P04137	2
37	WASHER 6.4 ZC DIN 126 ISO 7091	F81053-1	6
38	BOLT, M6X20 8.8 HEX HEAD FULL THREAD ZINC	F81001-2	2
39	NUT M6 ZC 8 NYLOCK DIN 982 ISO 7040	F81031-2	2
40	BOX, LT40/70 ELECTRICAL	566251	1
41	GLAND, DW11/H CABLE	085388	1
42	GLAND, DP 13/H CABLE	F81096-4	1
43	PUMP, AC-4KW (Q=14,5L/MIN) HYDRAULIC W/M	500958	1
44	CABLE, OLFLEX 400P 4G1 (DRUM)	R80583-6	1
45	TERMINAL, KO 2.5/5 RING	F81064-1	4
46	TERMINAL, 1/4 18GA RING NI LOOSE	F05092-7	1
47	HOSE, PCV 8X1 BLACK	R80610-1	1
48	CONTACT ASSEMBLY, AC POSITIVE	086625	1
49	CONTACT ASSEMBLY, AC NEGATIVE	086624	1
50	TIE WRAP, TK 9/3	F81082-4	1

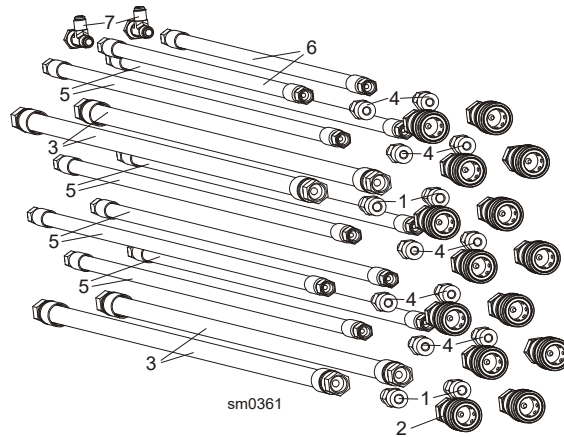


HYDRAULIC SYSTEM

Hydraulic Control Box, AHP7/LT40/LT70 Stationary Sawmills 11-Section (M-type Frame)

REF.	DESCRIPTION (◆ indicates parts available in assemblies only)	PART #	QTY	
51	TERMINAL, HI 1/6 CABLE END	F81083-3	10	
52	FITTING, 3/8NPT-3/8 BARB ELBOW	P12708	1	
53	FITTING, 1/4NPT MALE RUN TEE	015486	1	
54	FITTING, 3/8JIC-1/4NPT 90L	015491	1	
55	BOLT, DIN933-M10X30-8.8-A2E HEX HEAD	F81003-111	4	
56	NUT M8 ZC 8 NYLOCK DIN 982 ISO 7040	F81032-2	4	
57	WASHER 8.4 ZC DIN 126 ISO 7091	F81054-1	8	
58	BOLT, M8X16 -8.8-B HEX HEAD FULL THREAD	F81002-20	4	
-	HOSE, 2T3/8X0.254 W9/16UNF-WP/16UNF HYDRAULIC	087774	1	
59	HOSE, 3/8 HYDRAULIC	R02132_0_25	1	
60	CRIMP SOCKET 3/8" HYDRAULIC HOSE	085901	2	
61	FITTING, JIC 9/16-18 HYDRAULIC	085900	2	

9.14 Hydraulic Hose Kit, AH”M” Frame Sawmills MBX12/24H1-6



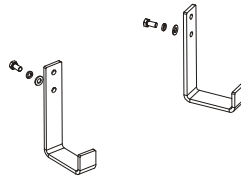
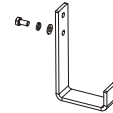
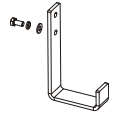
REF.	DESCRIPTION (◆ indicates parts available in assemblies only)	PART #	QTY
	HYDRAULIC HOSE KIT, "M" FRAME 24H21	505834	1
1	FITTING, G3/8-9/16-18JIC HAND PUMP	091842	2
2	FITTING, 3/8" INT. THREAD BSP FEMALE QUICK DISCONNECT	504965	2
3	HOSE, 2T3/8X7.900 W9/16UNF-W9/16UNF HYDRAULIC	505849	2
	HYDRAULIC HOSE KIT, "M" FRAME 24H2	505836	1
1	FITTING, G3/8-9/16-18JIC HAND PUMP	091842	2
2	FITTING, 3/8" INT. THREAD BSP FEMALE QUICK DISCONNECT	504965	4
3	HOSE, 2T3/8X7.900 W9/16UNF-W9/16UNF HYDRAULIC	505849	2
4	FITTING, 7/16" JC/3/8" BSP STRAIGHT	505747	2
5	HOSE, 2T1/4X7.850 W7/16UNF-W7/16UNF HYDRAULIC	505850	2
	HYDRAULIC HOSE KIT, "M" FRAME (AH1-7) 24H3/24H4	505840	1
1	FITTING, G3/8-9/16-18JIC HAND PUMP	091842	4
2	FITTING, 3/8" INT. THREAD BSP FEMALE QUICK DISCONNECT	504965	8
3	HOSE, 2T3/8X7.900 W9/16UNF-W9/16UNF HYDRAULIC	505849	4
4	FITTING, 7/16" JC/3/8" BSP STRAIGHT	505747	4
5	HOSE, 2T1/4X7.850 W7/16UNF-W7/16UNF HYDRAULIC	505850	4
	HYDRAULIC HOSE KIT, "M" FRAME (AH1-7) 24H3/24H4	506090	1
1	FITTING, G3/8-9/16-18JIC HAND PUMP	091842	4
2	FITTING, 3/8" INT. THREAD BSP FEMALE QUICK DISCONNECT	504965	12
3	HOSE, 2T3/8X7.900 W9/16UNF-W9/16UNF HYDRAULIC	505849	4
4	FITTING, 7/16" JC/3/8" BSP STRAIGHT	505747	8
5	HOSE, 2T1/4X7.850 W7/16UNF-W7/16UNF HYDRAULIC	505850	6
6	HOSE, 2T1/4X6.100 W7/16UNF-W7/16UNF HYDRAULIC	506096	2
7	FITTING, W7/16" UNF JIC-2XZ7/16"UNF JIC TEE	506098	2
	HYDRAULIC HOSE KIT, "M" FRAME (AH1-7) 24H3/24H4	506092	1
1	FITTING, G3/8-9/16-18JIC HAND PUMP	091842	4
2	FITTING, 3/8" INT. THREAD BSP FEMALE QUICK DISCONNECT	504965	14
3	HOSE, 2T3/8X7.900 W9/16UNF-W9/16UNF HYDRAULIC	505849	4
4	FITTING, 7/16" JC/3/8" BSP STRAIGHT	505747	10
5	HOSE, 2T1/4X7.850 W7/16UNF-W7/16UNF HYDRAULIC	505850	8
6	HOSE, 2T1/4X6.100 W7/16UNF-W7/16UNF HYDRAULIC	506096	2
7	FITTING, W7/16" UNF JIC-2XZ7/16"UNF JIC TEE	506098	2



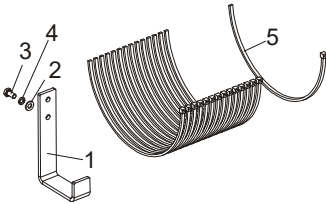
HYDRAULIC SYSTEM

Hydraulic Hose Hanger Kit, "M" Frame (AH1-3) MBX12/24H1-4

9.15 Hydraulic Hose Hanger Kit, "M" Frame (AH1-3) MBX12/24H1-4



sm0362

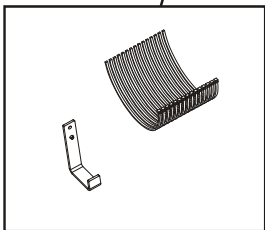
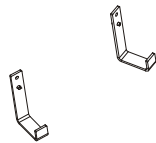
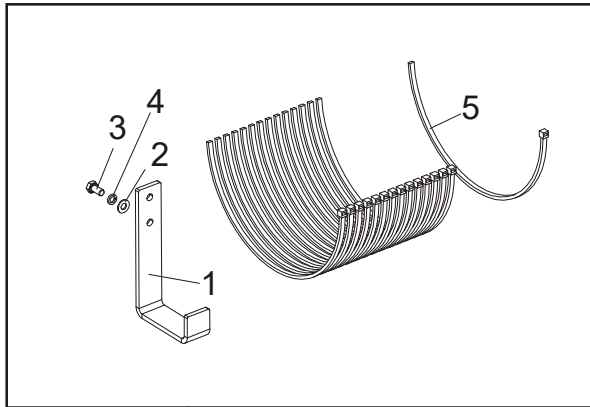


REF.	DESCRIPTION (◆ indicates parts available in assemblies only)	PART #	QTY
	HYDRAULIC HOSE HANGER KIT, "M"FRAME AH1-3 BX24	506101	1
1	HANGER, HYDRAULIC HOSE	505745-1	5
2	WASHER, 8.4 FLAT ZINC	F81054-1	5
3	WASHER, 8.2 SPLIT LOCK ZINC	F81054-4	5
4	BOLT, M8x16 -8.8-B HEX HEAD FULL THREAD ZINC	F81002-20	5
5	WRAP, TKUV 50/8 TIE	F81082-3	15

9.16 Hydraulic Hose Hanger Kit, "M" Frame (AH4-7) MBX12/24H5-6

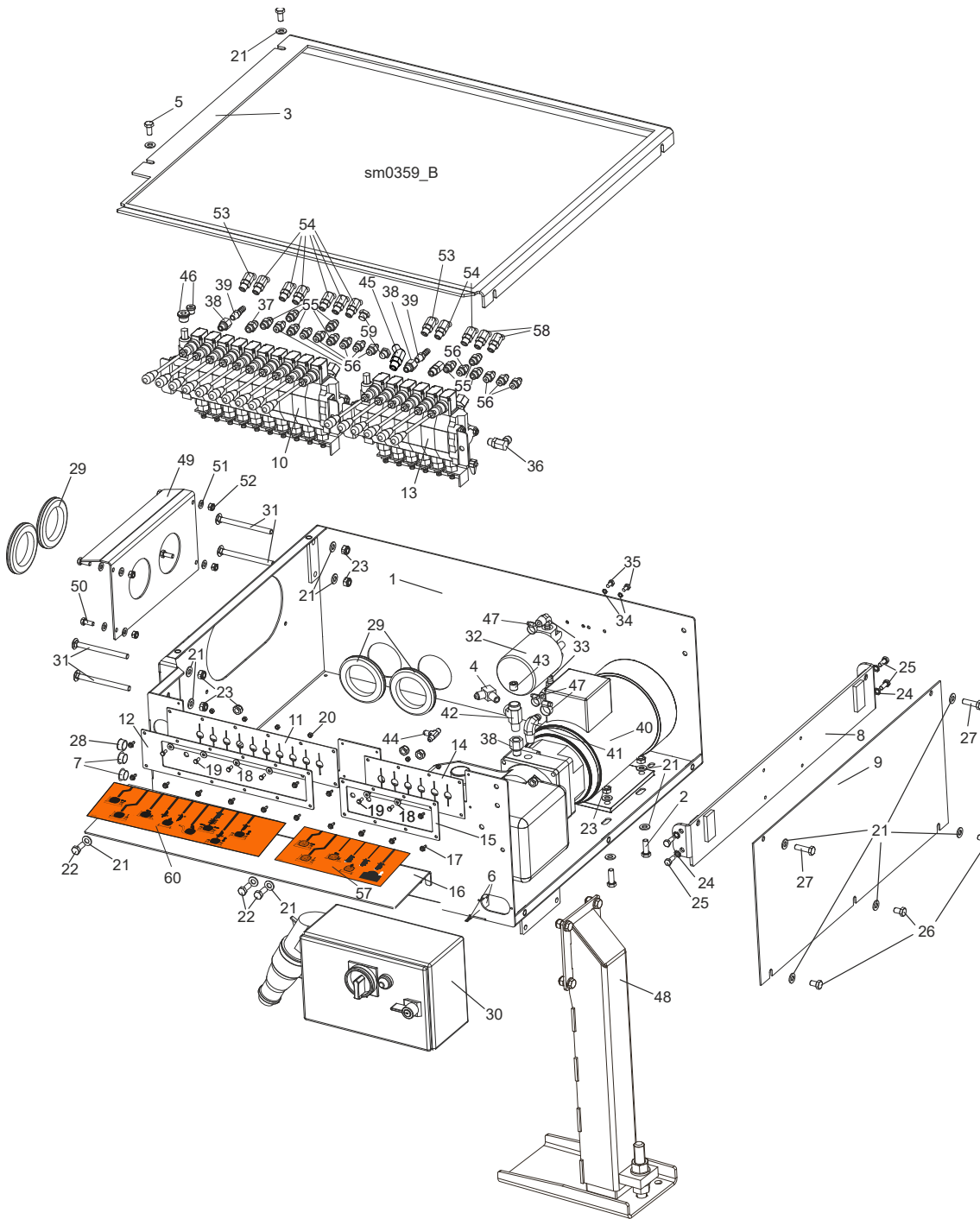


sm0363



REF.	DESCRIPTION (◆ indicates parts available in assemblies only)	PART #	QTY
	HYDRAULIC HOSE HANGER KIT, "M" FRAME AH1	506102	1
1	HANGER, HYDRAULIC HOSE	505745-1	7
2	WASHER, 8.4 FLAT ZINC	F81054-1	8
3	WASHER, 8.2 SPLIT LOCK ZINC	F81054-4	8
4	BOLT, M8x16 -8.8-B HEX HEAD FULL THREAD ZINC	F81002-20	8
5	WRAP, TKUV 50/8 TIE	F81082-3	15

9.17 Hydraulic Control Box, 16-Section LT20/40/70 AC



REF.	DESCRIPTION (◆ indicates parts available in assemblies only)	PART #	QTY
	BOX, 16-SECTION LT40/70AC HYDRAULIC CONTROL - COMPLETE 2X4KW	545695	1
	BOX, 16-SECTION LT40/70AC HYDRAULIC CONTROL - COMPLETE	505945	1
	BOX, AC 16-SECTION LT20 HYDRAULIC CONTRO	505950	1
	BOX, LT40/70 AC 17-SECTION HYDRAULIC - COMPLETE	513995	1
	BOX, LT20 W/BX24 M 17-SECTION HYDRAULIC	513996	1
1	BOX WELDMNT, HYDRAULIC CONTROL	505946-1	1

2	BOLT, M10x30-5.8 HEX HEAD FULL THREAD ZINC	F81003-2	4	
3	COVER, HYDRAULIC CONTROL BOX	505948-1	1	
4	FITTING, 3/8JIC-1/4NPT 90L	015491	2	
5	BOLT, M10X20-5.8 HEX HEAD FULL THREAD ZINC	F81003-1	2	
6	SWITCH, 2A 125V R-LEVER NO/NC/COM	014765	1	
7	CAP, SR1086 22.2 HOLE	093544	2	
8	BRACKET, AC HYDRAULIC BOX - COMPLETE	086518-1	1	
9	PANEL, AC HYDRAULIC BOX FRONT	086484-1	1	
10	VALVE, HDS11/10-6 10-SECTION	091344	1	
11	GUARD, 10-SECTION RUBBER HYDRAULIC VALVE	091739	1	
12	PLATE, 10-SECTION VALVE	091826-1	1	
	COVER, 11-SECTION VALVE GUARD PTD	510571-1 ¹	1	
13	VALVE, 6-SPOOL FOR SERIES CONNECTION	501104	1	
	VALVE, 6 SECTION HDS10/6-6	015260 ²		
14	GUARD, RUBBER DOUBLE VALVE	015079	1	
15	COVER, VALVE GUARD PTD	086519-1	1	
16	PLATE FOR DECALS	505949-1	1	
17	#10-24X1/2 SLF TP SC	F05015-7	14	
18	WASHER, 5.5 SPECIAL FLAT ZINC-PL.	F81052-3	6	
19	BOLT, M5x12-5.8 HEX HEAD FULL THREAD ZINC	F81000-5	6	
20	NUT, M5-8 HEX ZINC	F81030-1	6	
21	WASHER, 10.5 FLAT ZINC	F81055-1	23	
22	BOLT, M10X25 8.8 HEX HEAD FULL THREAD ZINC	F81003-11	4	
23	NUT, M10-8-B HEX NYLON ZINC LOCK	F81033-1	12	
24	WASHER, 8.4 EXTERIOR STAR LOCK ZINC	F81054-3	4	
25	BOLT, M8x20-8.8-B HEX HEAD FULL THREAD ZINC	F81002-4	4	
26	BOLT, M10x16-8.8 HEX HEAD FULL THREAD ZINC	F81003-13	3	
27	BOLT, M10x35-8.8 HEX HEAD FULL THREAD ZINC	F81003-17	2	
28	GROMMET, HEYCO WIRE	P04137	1	
29	GROMMET, 80MM DIA. RUBBER	089293	4	
30	BOX, AC 2X 4kW STARTER	532190 ³	1	
	BOX, LT20 STARTER	093088 ⁴	1	
	BOX, LT20 STARTER - NORWAY	093088-2 ⁵	1	
31	BOLT, M10X125 CARRIAGE	F81003-34	4	
32	MANIFOLD, W/FILTER	P22683	1	
33	FITTING, 1/2NPT-3/8 BARB ELBOW	P12707	4	
34	WASHER, Z 6.1 SPLIT LOCK ZINC	F81053-3	2	
35	BOLT, 1/4-20X1/2 HEX HEAD	F05005-15	2	
36	FITTING, #6 SAE 3/8" JIC ELBOW	P12704	1	
37	FITTING, 3/8 O-RING-3/8JIC	014687	1	
38	FITTING, 6SAE MALE-1/4NPT FEMALE	014686	3	
39	FITTING, 1/4NPT-3/8 BARB	014685	2	
40	PUMP, AC-5,5KW 18.5L/MIN HYDRAULIC W/MOTOR	517840	1	
	PUMP, AC-4KW (Q=14,5L/MIN) HYDRAULIC W/M	500958	1	
41	FITTING, 3/8NPT-3/8 BARB ELBOW	P12708	1	
42	FITTING, 1/4NPT MALE RUN TEE	015486	1	
43	PLUG, 1/4-18 NPT BLANK	096221	1	
44	FITTING, 3/8 BARB TEE	015485	1	



HYDRAULIC SYSTEM

Hydraulic Control Box, 16-Section LT20/40/70 AC

45	FITTING, #6SAE 45 DEG ELBOW	015489	1	
46	PLUG KIT FOR BOX #500508	505060	1	
47	CLAMP, 11/16 WORM	061807	14	
48	LEG, LEFT ADJUSTABLE STATIONARY See Section 9.39	501639	4	
49	PLATE, HYDRAULIC HOSE COVER - COMPLETE	504261-1	1	
50	BOLT, M8X20-8.8 HEX HEAD FULL THREAD ZINC	F81002-1	4	
51	WASHER, 8.4 FLAT ZINC	F81054-1	8	
52	NUT, M8-8-B HEX NYLON ZINC LOCK	F81032-2	4	
53	FITTING, #6SAE 45 DEG ELBOW	015489	*	
54	FITTING, #4SAE-#6SAE 45 DEG ELBOW	015488	*	
55	FITTING, 3/8 O-RING-3/8JIC	014687	*	
56	FITTING, 1/4JIC-3/8 O-RING	P26284	*	
57	DECAL, 24H1-6 FOR 16-SECTION BOX	505961	1	
58	FITTING, #4SAE-#6SAE 45 DEG ELBOW	015488	*	
59	PLUG, 9/16-18 JIC HYDRAULIC VALVE	089647	*	
60	DECAL FOR AH5/16-SECTION BOX	506099	1	

¹ Included in assembly #513995

² Included in assembly #505945

³ Included in assembly #505945 (LT40/70)

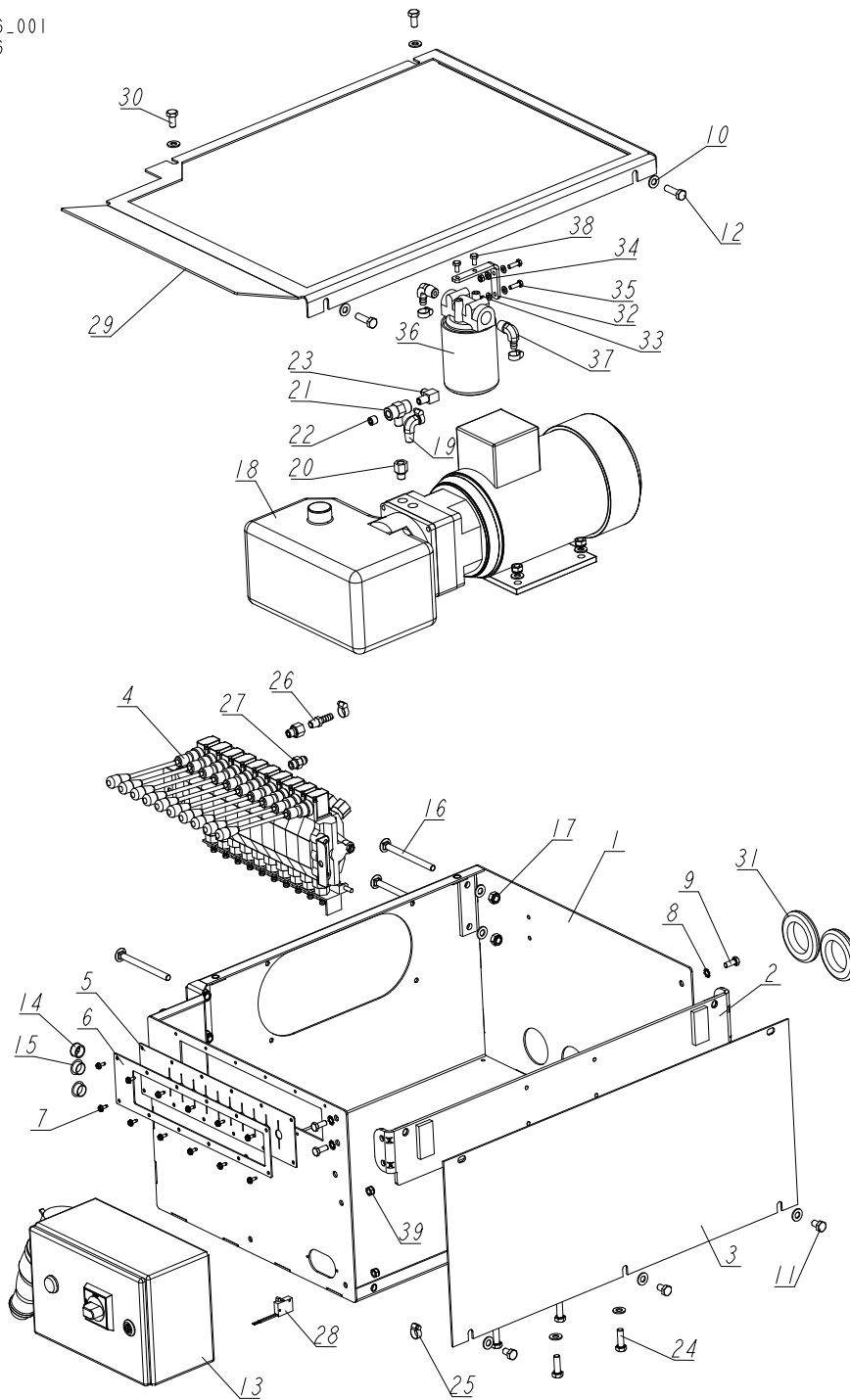
⁴ Included in assembly #505950 (LT20)

⁵ Included in assembly #505950 (LT20)

* Depends on hydraulic equipment configuration.

9.18 Hydraulic Control Box, LT40/LT70 AC 10-Section

506446_001
506446

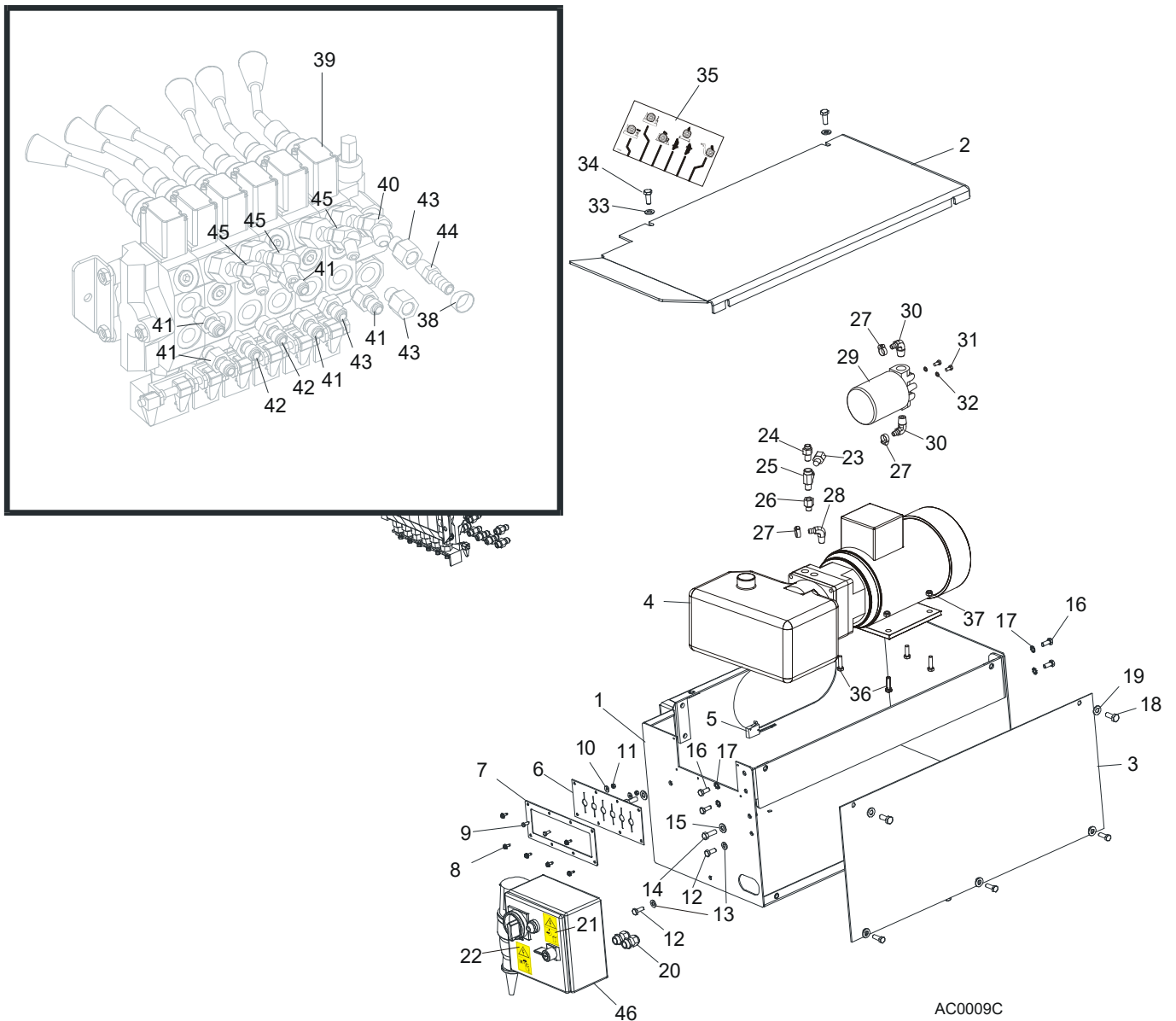


REF.	DESCRIPTION (◆ indicates parts available in assemblies only)	PART #	QTY
-	BOX, 10-SECTION LT40/70AC BX24 HYDRAULIC - COMPLETE	506446	1
1	BOX WELDMENT, HYDRAULIC	545691-1	1
2	BRACKET, AC HYDRAULIC BOX - COMPLETE	086518-1	1
3	PANEL, AC HYDRAULIC BOX FRONT	086484-1	1
4	VALVE, HDS11/10-6 10-SECTION	091344SUB	1

HYDRAULIC SYSTEM*Hydraulic Control Box, LT40/LT70 AC 10-Section*

REF.	DESCRIPTION (◆ indicates parts available in assemblies only)	PART #	QTY
5	GUARD, 10-SECTION RUBBER HYDRAULIC VALVE	091739	1
6	PLATE, 10-SECTION VALVE	091826-1	1
7	#10-24X1/2 SLF TP SC	F05015-7	12
8	WASHER, 8.4 EXTERIOR STAR LOCK ZINC	F81054-3	4
9	BOLT, M8X20 8.8 HEX HEAD FULL THREAD ZINC	F81002-4	4
10	WASHER, 10.5 FLAT ZINC	F81055-1	19
11	BOLT, M10X16-8.8 HEX HEAD FULL THREAD ZINC	F81003-13	3
12	BOLT, M10X35 8.8 HEX HEAD FULL THREAD ZINC	F81003-17	2
13	BOX, LT40/70 ELECTRICAL	566251-M	1
14	GROMET, WIRE	P04137	1
15	CAP, SR1086 22.2 HOLE	093544	2
16	BOLT, M10X125 8.8 CARRIAGE ZINC	F81003-34	4
17	NUT, M10-8-B HEX NYLON ZINC LOCK	F81033-1	8
18	PUMP, AC-4KW (Q=14,5 L/MIN) HYDRAULIC W/MOTOR	500958	1
19	FITTING, 3/8NPT-3/8 BARB ELBOW	P12708	1
20	FITTING, 6SAE MALE-1/4NPT FEMALE	014686	2
21	FITTING, 1/4 BRANCH TEE	015486	1
22	PLUG, 1/4-18 NPT BLANK	096221	1
23	FITTING, 3/8JIC-1/4NPT 90L	015491	1
24	BOLT, M10X30-8.8 HEX HEAD FULL THREAD ZINC	F81003-2	4
25	CLAMP, 11/16 WORM	061807	7
26	FITTING, 1/4NPT-3/8 BARB	014685	1
27	FITTING, 3/8 O-RING-3/8JIC	014687	1
28	SWITCH, 2A 125V R-LEVER NO/NC/COM	014765	1
29	COVER, AC/DC HYDRAULIC CONTROL BOX	091734-1	1
30	BOLT, ISO 4017-M10X20-8.8-A2E HEX HEAD	F81003-53	2
31	GROMMET, 55MM DIA. RUBBER	085614	2
32	BRACKET, OIL FILTER	550029-1	1
33	WASHER, 6.4 FLAT ZINC	F81053-1	4
34	NUT, M6-8-B HEX NYLON ZINC LOCK	F81031-2	2
35	BOLT, M6X20 8.8 HEX HEAD FULL THREAD ZINC	F81001-2	2
36	MANIFOLD, W/FILTER	P22683	1
37	FITTING, 1/2NPT-3/8 BARB ELBOW	P12707	2
38	BOLT, 1/4-20X1/2 HEX HEAD	F05005-15	2
39	NUT, M8-8-B HEX NYLON ZINC LOCK	F81032-2	4

9.19 Hydraulic Control Box, LT70 Series AH3



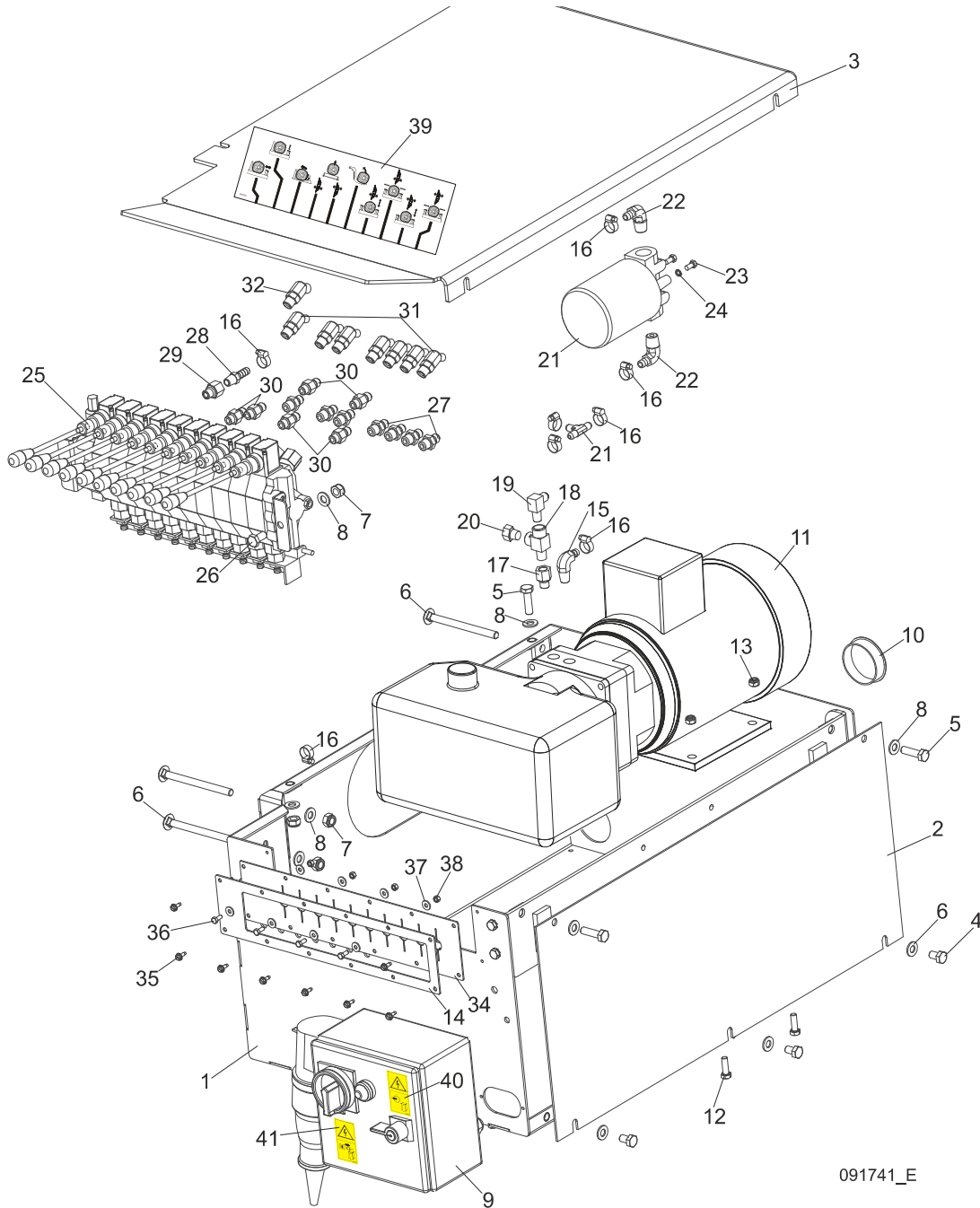
REF.	DESCRIPTION (◆ indicates parts available in assemblies only)	PART #	QTY
	BOX, AC SUPER HYDRAULIC (EA20, EA25)	086791	1
	CAP, SR1086 22.2 HOLE	093544	2
1	BOX WELDMENT, SUPER HYDRAULIC PUMP HOUSING	092243-1	1
2	COVER, AC HYDRAULIC CONTROL BOX	086485-1	1
3	PANEL, AC HYDRAULIC BOX FRONT	086484-1	1
4	PUMP, AC-4KW (Q=14,5L/MIN) HYDRAULIC W/M	500958	1
	PUMP, AC-4KW HYDRAULIC	097782	1
	PLATE, AC-4KW HYDRAULIC CONNECTING	097783	1
	SEAL, AC-4KW HYDRAULIC COMPLETE	097784	1
5	SWITCH, 2A 125V R-LEVER NO/NC/COM	014765	1
6	GUARD, RUBBER DOUBLE VALVE	015079	1
7	COVER, VALVE GUARD PTD	086519-1	1

HYDRAULIC SYSTEM

Hydraulic Control Box, LT70 Series AH3

8	#10-24X1/2 SLF TP SC	F05015-7	6
9	BOLT, M5X12-5.8 HEX HEAD FULL THREAD ZINC	F81000-5	2
10	WASHER, 5.5 SPECIAL FLAT ZINC	F81052-3	2
11	NUT, M5-8 HEX ZINC	F81030-1	2
12	BOLT, M8X20-8.8-B HEX HEAD FULL THREAD ZINC	F81002-4	2
13	WASHER, 8.4 FLAT ZINC	F81054-1	2
14	BOLT, 3/8-16X1 HH	F05007-7	2
15	WASHER, 10.5 FLAT ZINC	F81055-1	2
16	BOLT, M8X20-8.8-B HEX HEAD FULL THREAD ZINC	F81002-4	4
17	WASHER, 8.4 EXTERIOR STAR LOCK ZINC	F81054-3	4
18	BOLT, M10X25 8.8 HEX HEAD FULL THREAD ZINC	F81003-11	4
19	WASHER, 10.5 FLAT ZINC	F81055-1	4
20	GLAND, DP 11/H CABLE	085388	2
21	DECAL, HIGH VOLTAGE INSIDE THE ELECTRIC BOX (PICTOGRAM)	096316	1
22	DECAL, REMOVE THE PLUG BEFORE OPENING THE BOX (PICTOGRAM)	096319	1
23	PLUG, 1/4-18 NPT BLANK	096221	1
24	FITTING, 1/4NPTX1/4JIC MALE	P09143	1
25	FITTING, 1/4NPT MALE RUN TEE	015486	1
26	FITTING, 6SAE MALE-1/4NPT FEMALE	014686	1
27	CLAMP, 11/16 WORM	P12739	3
28	FITTING, 3/8NPT-3/8 BARB ELBOW	P12708	1
29	MANIFOLD, W/FILTER	P22683	1
30	FITTING, 1/2NPT-3/8 BARB ELBOW	P12707	2
31	BOLT, 1/4-20X1/2 HEX HEAD	F05005-15	2
32	WASHER, Z 6.1 SPLIT LOCK	F81053-3	2
33	WASHER, 10.5 FLAT ZINC	F81055-1	2
34	BOLT, M10X25 8.8 HEX HEAD FULL THREAD ZINC	F81003-11	2
35	DECAL, HYDRAULIC CONTROL SUPER 97	015364	1
36	BOLT, M8 X 30-8.8-B HEX HEAD FULL THREAD ZINC	F81002-7	4
37	NUT, M8-8-B HEX NYLON ZINC LOCK	F81032-2	4
38	CLAMP, 11/16 WORM	P12739	10
39	VALVE, 6-SECTION HYDRAULIC	086589	1
	SWITCH ASSEMBLY, HYDRAULIC LEVER	024198	1
40	FITTING, #6SAE 45 DEG ELBOW	015489	1
41	FITTING, 3/8 O-RING-3/8JIC	014687	5
42	FITTING, 1/4JIC-3/8 O-RING	P26284	3
43	FITTING, 6SAE MALE-1/4NPT FEMALE	014686	2
44	FITTING, 1/4NPT-3/8 BARB	014685	1
45	FITTING, #4SAE-#6SAE 45 DEG. ELBOW	015488	3
46	BOX, AC 4KW LT40/70 STARTER	089799	1
	SWITCH, ABB OT16F3	503541	1
	CONTACTOR, LC1K0910B7	084451	1
	SWITCH, C60N 24395	084454	1
	CIRCUIT BREAKER, C60N 1P 2A 24396	088278	1
	PHASE SUPPLY CONTROL RELAY, 72.31.8.400.0000	501016	1
	TIME RELAY, RELPOL MT-TUA-17S-11-92	501015	1
	THERMAL OVERLOAD RELAY, LR2 K0316	084456	1
	Box, AC Super Hydraulic (EA20, EA25)	086791	1

9.20 Hydraulic Control Box, LT70 Series AH5/7



091741_E

REF.	DESCRIPTION (◆ indicates parts available in assemblies only)	PART #	QTY
	BOX ASSEMBLY, LT40 AH5 HYDRAULIC CONTROL	091741	1
1	BOX WELDMENT, HYDRAULIC CONTROL	545691-1	1
	BRACKET, AC HYDRAULIC BOX - COMPLETE	086518-1	1
	BOLT, M8X20-8.8-B HEX HEAD FULL THREAD ZINC	F81002-4	4
	WASHER, 8.4 EXTERIOR STAR LOCK ZINC	F81054-3	4
2	PANEL, AC HYDRAULIC BOX FRONT	086484-1	1
3	COVER, AC/DC HYDRAULIC CONTROL BOX	091734-1	1
4	BOLT, M10X16-8.8 HEX HEAD FULL THREAD ZINC	F81003-13	3

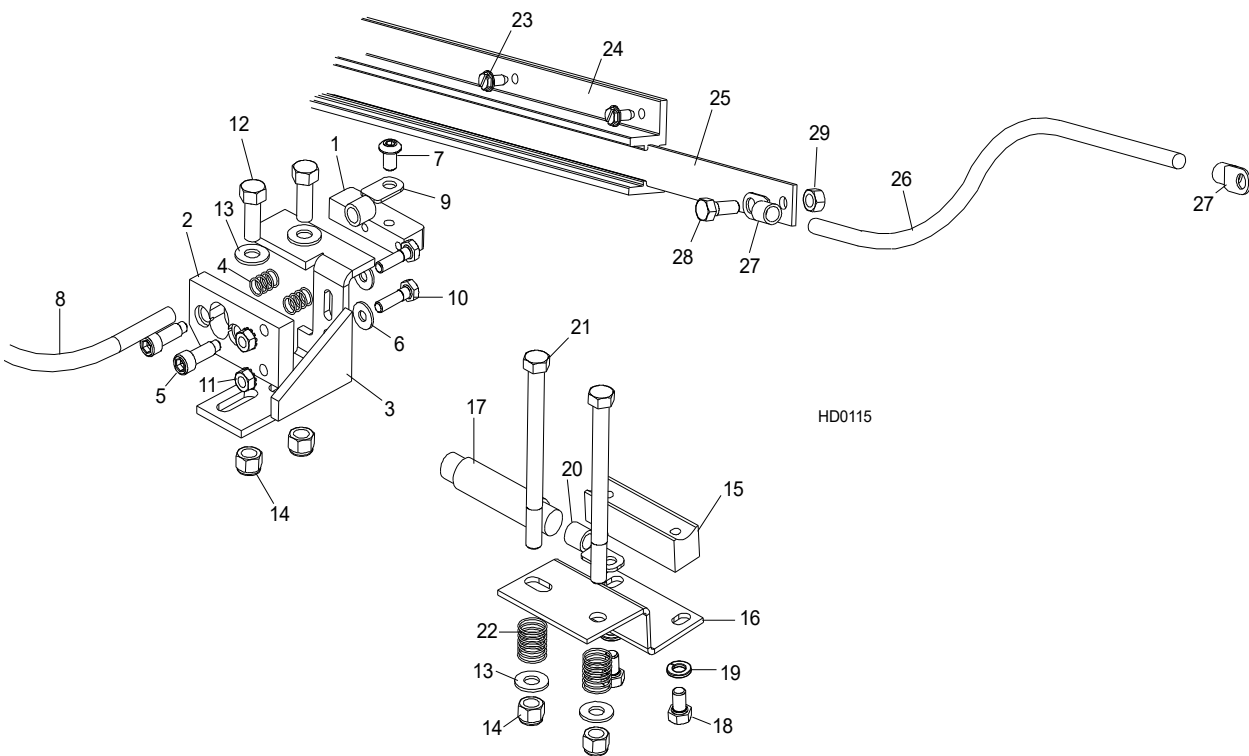


HYDRAULIC SYSTEM

Hydraulic Control Box, LT70 Series AH5/7

5	BOLT, M10X35-8.8 HEX HEAD FULL THREAD ZINC	F81003-17	4	
6	BOLT, M10X125 CARRIAGE	F81003-34	4	
7	NUT, M10-8-B HEX NYLON ZINC LOCK	F81033-1	6	
8	WASHER, 10.5 FLAT ZINC	F81055-1	13	
9	BOX, LT40/70 ELECTRICAL	566251	1	
	SWITCH, AAB OT16E3	089801	1	
	CONTACTOR, LC1K0910B7	084451	1	
	SWITCH, C60N 24395	084454	1	
	CIRCUIT BREAKER, C60N 1P 2A 24396	088278	1	
	PHASE SUPPLY CONTROL RELAY, 72.31.8.400.0000	501016	1	
	TIME RELAY, RELPOL MT-TUA-17S-11-92	501015	1	
	THERMAL OVERLOAD RELAY, LR2 K0316	084456	1	
10	CAP, HSA2790 (63.6 DIA.)	092859	1	
11	PUMP, AC-4KW (Q=14,5L/MIN) HYDRAULIC W/MOTOR	500958	1	
	PUMP, AC-4KW HYDRAULIC	097782	1	
	PLATE, AC-4KW HYDRAULIC CONNECTING	097783	1	
	SEAL, AC-4KW HYDRAULIC COMPLETE	097784	1	
12	BOLT, M8 X 30-8.8-B HEX HEAD FULL THREAD ZINC	F81002-7	4	
13	NUT, M8-8-B HEX NYLON ZINC LOCK	F81032-2	4	
14	PLATE, 10-SECTION VALVE PAINTED	091826-1	1	
15	FITTING, 3/8NPT-3/8 BARB ELBOW	P12708	1	
16	CLAMP, 11/16 WORM	P12739	8	
17	FITTING, 6SAE MALE-1/4NPT FEMALE	014686	1	
18	FITTING, 1/4NPT MALE RUN TEE	015486	1	
19	FITTING, 3/8JIC-1/4NPT 90L	015491	1	
20	PLUG, 1/4-18 NPT BLANK	096221	1	
21	MANIFOLD, W/FILTER	P22683	1	
22	FITTING, 1/2NPT-3/8 BARB ELBOW	P12707	2	
23	BOLT, 1/4-20X1/2 HEX HEAD	F05005-15	2	
24	WASHER, Z 6.1 SPLIT LOCK	F81053-3	2	
25	VALVE, HDS11/10-6 10-SECTION	091344	1	
26	BOLT, M10X20-5.8 HEX HEAD FULL THREAD ZINC	F81003-1	2	
27	FITTING, 1/4JIC-3/8 O-RING	P26284	7	
28	FITTING, 1/4NPT-3/8 BARB	014685	1	
29	FITTING, 6SAE MALE-1/4NPT FEMALE	014686	1	
30	FITTING, 3/8 O-RING-3/8JIC	014687	6	
31	FITTING, #4SAE-#6SAE 45 DEG ELBOW	015488	7	
32	FITTING, #6SAE 45 DEG ELBOW	015489	1	
33	PLATE, 10-SECTION VALVE PAINTED	091826-1	1	
34	GUARD, 10-SECTION RUBBER HYDRAULIC VALVE	091739	1	
35	#10-24X1/2 SLF TP SC	F05015-7	8	
36	BOLT, M5X12-5.8 HEX HEAD FULL THREAD ZINC	F81000-5	4	
37	WASHER, 5.5 SPECIAL FLAT ZINC-PLATED	F81052-3	8	
38	NUT, M5-8 HEX ZINC	F81030-1	4	
39	DECAL, AH5 HYDRAULIC CONTROL - ENGLISH	094795	1	
	DECAL, AH7 HYDRAULIC CONTROL BOX	094970	1	
40	DECAL, HIGH VOLTAGE INSIDE THE ELECTRIC BOX (PICTOGRAM)	096316	1	
41	DECAL, REMOVE THE PLUG BEFORE OPENING THE BOX (PICTOGRAM)	096319	1	

9.21 Hydraulic Power Supply Strip



REF.	DESCRIPTION (◆ indicates parts available in assemblies only)	PART #	QTY	
	CONTACT KIT, HYDRAULIC 6' POWER SUPPLY	A12042-N	1	
	CONTACT HARDWARE KIT	A10073-N	1	◆
	CONTACT ASSEMBLY, HYDRAULIC POWER SUPPLY (POSITIVE)	085968	1	
1	BUTTON, HOT CONTACT 1997	015253	1	
2	PLATE, 1/2 NYLON INSULATOR CONTACT	S10072	1	
3	BRACKET, POSITIVE CONTACT MOUNTING	086380-1	1	
4	SPRING, .42X.59X.042 COMPRESSION	P10077	2	
5	BOLT, 5/16X3/4 SHOULDER 1/4-20 THREAD	F05006-44	2	
6	WASHER, 7.4 FLAT ZINC	F81056-11	2	
7	BOLT, 5/16-18X1/2 SOCKET BUTTON HEAD	F05006-20	1	
	CABLE ASSY, HYDRAULIC POSITIVE CONTACT	015885	1	
8	CABLE, #1 WELD	R01948	0.75m	◆
9	TERMINAL, 35 RING #2 GAUGE	F81066-3	2	
10	BOLT, 1/4-20 X 1" HEX HEAD ZINC GRADE 2	F05005-38	2	
11	NUT, 1/4-20 SELF-LOCKING HEX ZINC	F05010-9	2	
12	BOLT, 3/8-16X1 HEX HEAD GRADE 5	F05007-87	2	
13	WASHER, 10.5 FLAT ZINC	F81055-1	4	
14	NUT, 3/8-16 HEX NYLON LOCK	F05010-10	4	
	CONTACT ASSEMBLY, HYDRAULIC POWER SUPPLY (GROUND)	A10066	1	
15	BLOCK, EXTEN. HYD. GROUND CONTACT	015264	1	
16	BRACKET, GROUND CONTACT MOUNTING	015265	1	
17	CABLE, #1 WELD	R01948	.63m	◆
18	BOLT, 5/16-18 X 1/2" HEX HEAD ZINC GRADE 5	F05006-15	2	
19	WASHER, 8.2 SPLIT LOCK ZINC	F81054-4	2	

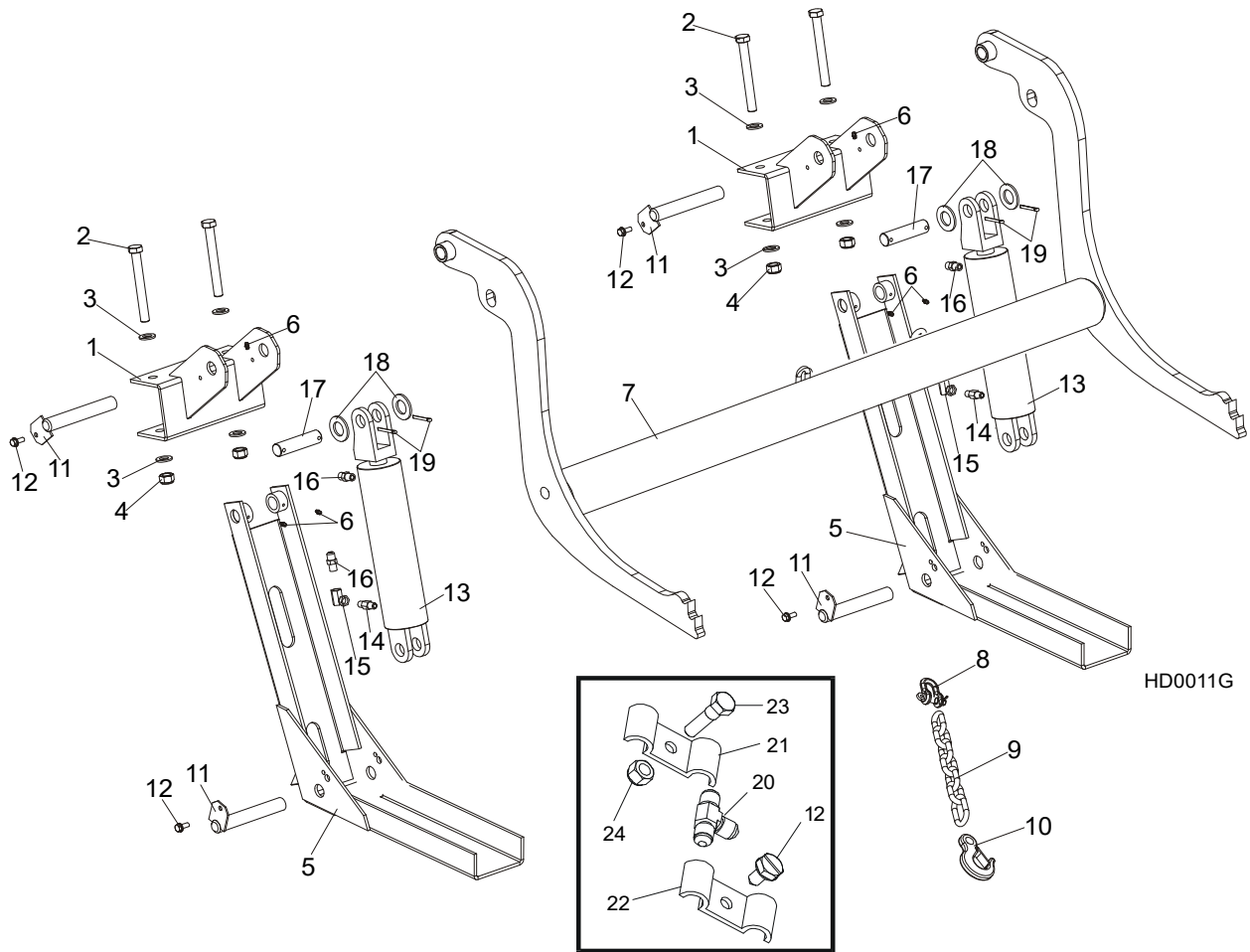


HYDRAULIC SYSTEM

Hydraulic Power Supply Strip

20	TERMINAL, 35 RING #2 GAUGE	F81066-3	1	
21	BOLT, 3/8-16 X 4 1/2" HEX HEAD ZINC GRADE 2	F05007-35	2	
22	SPRING, .715X1.53X.068DIA SS COMPRESSION	P04282	2	
23	SCREW, 1/4-20 X 1/2" SELF-TAPPING	F05015-1	14	
	Strip Assembly, 6' Hydraulic Power Supply w/2 3ft. Cables	015564	1	
24	HOUSING, 6' CONTACT STRIP	P11976	1	
	Strip, 6' Contact With 2/Cables	015886	1	
25	STRIP, 6' CONTACT	S10075	1	◆
26	CABLE, H05V-K 1X1MM2 BK BLACK	R80583-21		◆
27	TERMINAL, 35 RING #2 GAUGE	F81066-3	4	
28	SCREW, 5/16-18X3/4 BLACK NYLON HHC	F05006-45	1	
29	NUT, 5/16-18 BLACK NYLON HEX	F05010-86	1	
	TUBE, 5/8" HEAT SHRINK	R01950-5	m	◆
	GROMMET, HEYCO WIRE	P04137		

9.22 Hydraulic Log Loader



REF.	DESCRIPTION (◆ indicates parts available in assemblies only)	PART #	QTY
	LOADER KIT, HYDRAULIC LOG, S/M FRAME	092863	1
1	BRACKET, LOG LOADER, FRAME S/M/SUPER	500747-70	1
2	BOLT, M16X140-8.8 HEX HEAD ZINC	F81006-4	4
3	WASHER, 17 FLAT ZINC	F81058-1	8
4	NUT, M16-8 HEX NYLON ZINC LOCK	F81036-2	4
	COMPLETE LOG LOADER FOOT, 9.5 M FRAME	090049	2
5	FOOT WELDMENT, LOG LOADER (9.5 M FRAME)	090048-1	2
6	FITTING, 3/16X3/16 STRAIGHT GREASE	P04107	6
	ARM, HYDRAULIC LOG LOADING COMPLETE	090044	1
7	LOG LOADER WELDMENT, 9.5 M FRAME	090006-1	1
8	SHACKLE, M-D .63	086540	1
9	CHAIN, HYDRAULIC LOG LOADER SAFETY	090007-1	1
10	HOOK, 5/8 SAFTEY CHAIN	P12075	1
11	PIN WELDMENT, LOADER	099127-1	4
12	BOLT, 5/16-18 X 3/4 SELF-TAPPING	F05015-30	4
	CYLINDER ASSY, LOG LOADING SUPER	015562	2
13	CYLINDER, CJ-S95-16-70/32/203 HYDRAULIC	088680	2
	GASKET, WM 70/32H178AU(088589)(088680)	589503-S	1

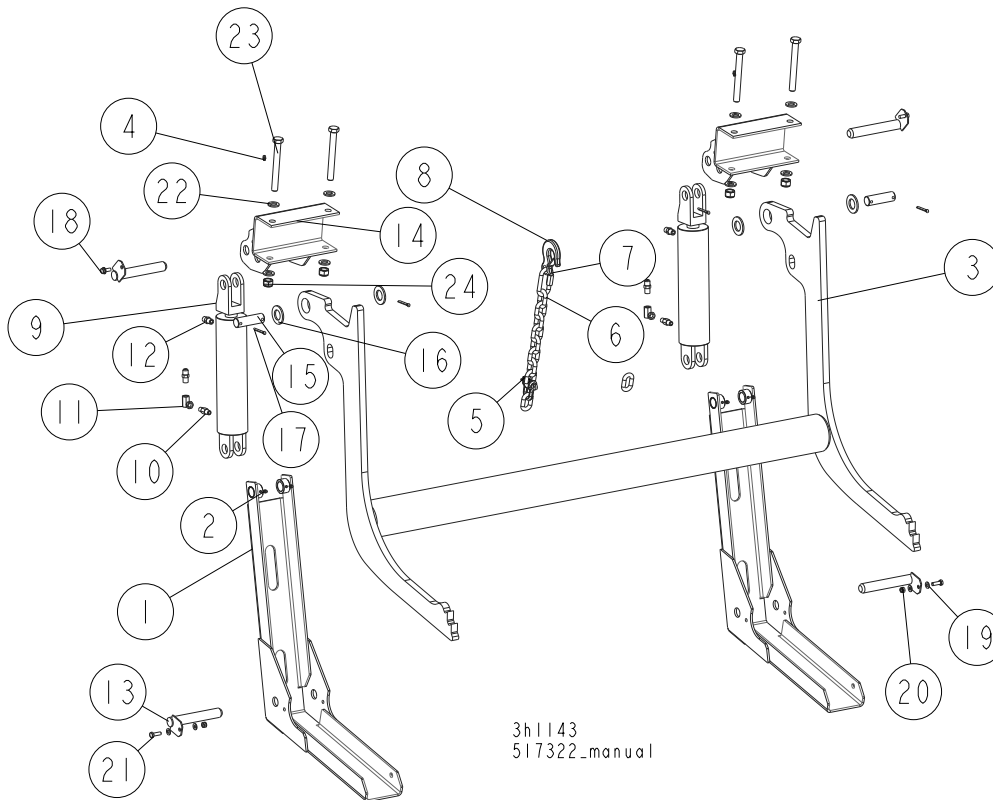


HYDRAULIC SYSTEM

Hydraulic Log Loader

14	FITTING, 1/4NPT VELOCITY FUSE 5.0GPM	015750	2	
15	FITTING, 1/4NPT-1/4JIC SWIVEL ELBOW	P12199	2	
16	FITTING, 3/8JIC-1/4NPT STRAIGHT	015560	4	
17	PIN, HYDRAULIC CYLINDER ZINC-PLATED	086979-1	2	
18	WASHER, 28 FLAT ZINC	F81061-1	4	
19	PIN, S-ZN 5X40 COTTER	F81043-31	2	
20	FITTING, 3/8JIC TEE	015487	1	
21	PLATE, 1/4 HOSE CLAMP PTD	S09245	6	
22	CLAMP, 3/8 HOSE	016041	2	
23	BOLT, 5/16-18X1 HEX HEAD ZINC GRADE 2	F05006-1	1	
24	NUT, 5/16-18 NYLON ZINC LOCK	F05010-58	1	

9.23 Hydraulic Log Loader, Extended for "S", "M" and "M Super" Frames with 2.5 t. and 2.6 t. Trailer



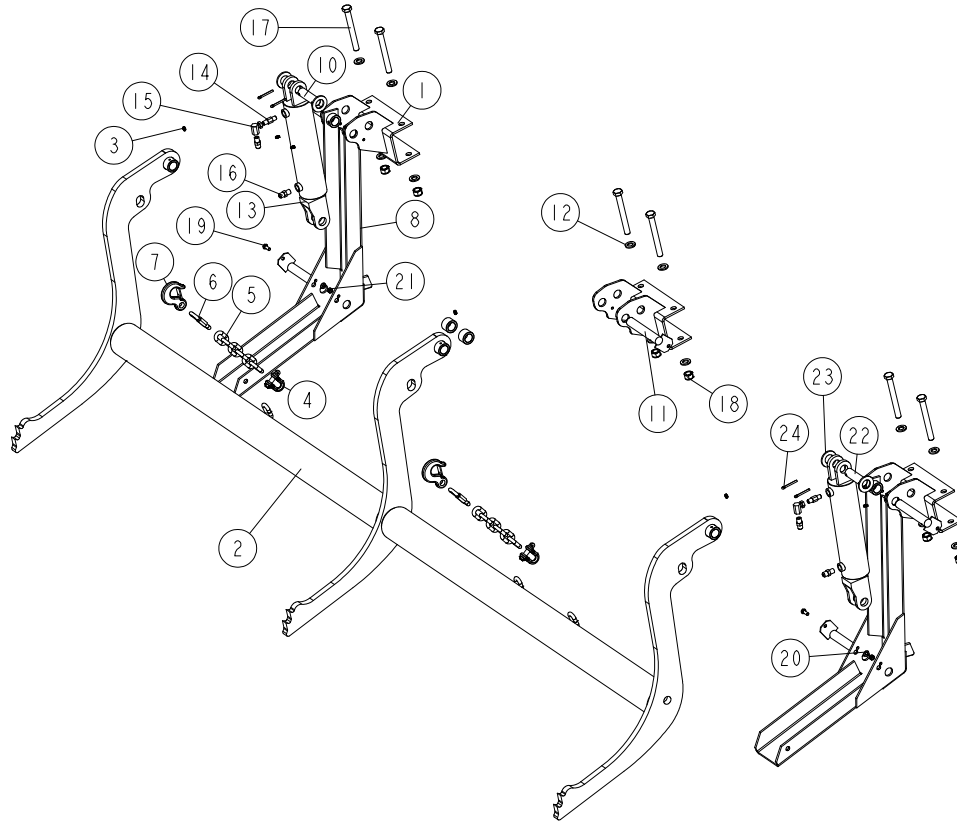
REF.	DESCRIPTION (◆ indicates parts available in assemblies only)	PART #	QTY
	LOG LOADER, "M" "S" SUPER FRAME, EXTENDED	517322	1
	LOG LOADER, EXTENDED, COMPLETE	517326	2
1	LOG LOADER, EXTENDED	517323-1	1
2	FITTING, 3/16X3/16 STRAIGHT GREASE	P04107	2
	LOG LOADER, EXTENDED, COMPLETE	517327	1
3	LOG LOADER, EXTENDED	517329-1	1
4	FITTING, 3/16X3/16 STRAIGHT GREASE	P04107	2
5	SHACKLE, M-D .63	086540	1
	CHAIN, TRANSPORT, EXTENDED LOG LOADER, COMPLETE	517332	1
6	CHAIN, LINKS N-10X35 - 8 LINKS	517333-1	1
7	CARABINER 10	100767	1
8	HOOK, 5/8 SAFTEY CHAIN	P12075	1
	CYLINDER ASSY, LOG LOADING SUPER	015562	2
9	CYLINDER, CJ-S95-16-70/32/203 HYDRAULIC	088680	1
	GASKET, WM 70/32H178AU(088589)(088680)	589503-S	1
10	FITTING, 1/4NPT VELOCITY FUSE 5.0GPM	015750	1
11	FITTING, 1/4NPT-1/4JIC SWIVEL ELBOW	P12199	1
12	FITTING, 3/8JIC-1/4NPT STRAIGHT	015560	2
13	PIN WELDMENT, LOADER	099127-1	4

9 HYDRAULIC SYSTEM
Hydraulic Log Loader, Extended for "S", "M" and "M Super" Frames with 2.5 t. and 2.6 t. Trailer

REF.	DESCRIPTION (◆ indicates parts available in assemblies only)	PART #	QTY
14	BRACKET, LOG LOADER, FRAME S/M/SUPER	500747-70	2
15	PIN, HYDRAULIC CYLINDER ZINC-PLATED	086979-1	2
16	WASHER, 28	F81061-1	4
17	PIN, S-ZN 5X40 COTTER	F81043-31	4
18	BOLT, 5/16-18 X 3/4 SELF-TAPPING	F05015-30	2
19	WASHER, 8.4 FLAT ZINC	F81054-1	4
20	NUT, M8-8-B HEX NYLON ZINC LOCK	F81032-2	2
21	BOLT, M8X25-8.8-B HEX HEAD FULL THREAD ZINC	F81002-5	2
22	WASHER, 17 FLAT ZINC	F81058-1	8
23	BOLT, M16X140-8.8 HEX HEAD ZINC	F81006-4	4
24	NUT, M16-8 HEX NYLON ZINC LOCK	F81036-2	4

9.24 Log Loader, 3-Arm, L-Frame

527060_001_A
527060_MANUAL



REF.	DESCRIPTION (◆ indicates parts available in assemblies only)	PART #	QTY
-	LOG LOADER, 3-ARM L-FRAME	527060	1
1	BRACKET, LOG LOADER ("M" SUPER FRAME)	500747-1	3
-	LOG LOADER, FRAME 9,5M - COMPLETE	527059	1
2	LOG LOADER, WLDMT/PTD.	527058-1	1
3	FITTING, 3/16X3/16 STRAIGHT GREASE	P04107	3
4	SHACKLE, M-D .63	086540	2
-	CHAIN, HYDRAULIC LOG LOADER SAFETY	A04376	2
5	CHAIN, N-10X35 - 6-LINK	100951-1	1
6	CARABINER 10	100767	1
7	HOOK, 5/8 SAFTEY CHAIN	P12075	1
-	COMPLETE LOG LOADER FOOT, 9.5 M FRAME	090049	2
8	FOOT WELDMENT, LOG LOADER (9.5 M FRAME)	090048-1	1
9	FITTING, 3/16X3/16 STRAIGHT GREASE	P04107	2
10	PIN WELDMENT, LOADER	099127-1	5
11	BOLT, 5/16-18 X 3/4 SELF-TAPPING	F05015-30	3
12	WASHER, 17 FLAT ZINC	F81058-1	12
-	CYLINDER ASSY, LOG LOADING SUPER	015562	2
13	CYLINDER, CJ-S95-16-70/32/203 HYDRAULIC	088680	1
14	FITTING, 1/4NPT VELOCITY FUSE 5.0GPM	015750	1
15	FITTING, 1/4NPT-1/4JIC SWIVEL ELBOW	P12199	1

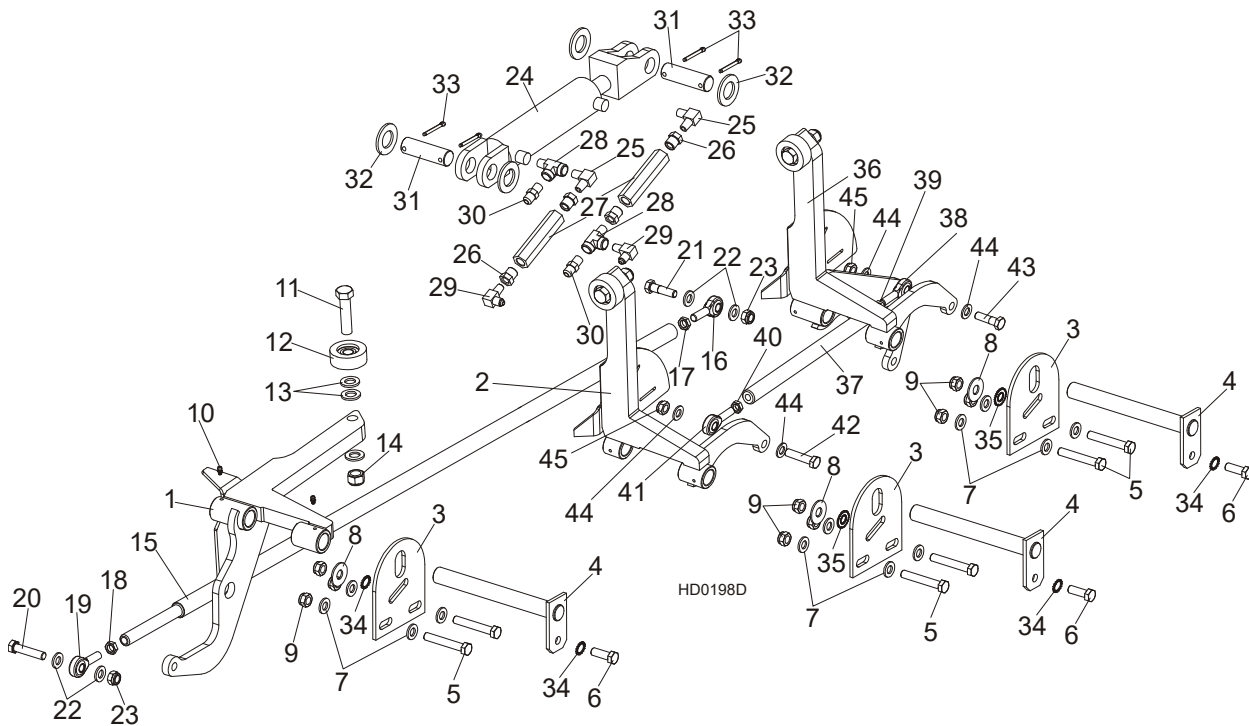


HYDRAULIC SYSTEM

Log Loader, 3-Arm, L-Frame

REF.	DESCRIPTION (◆ indicates parts available in assemblies only)	PART #	QTY	
16	FITTING, 3/8JIC-1/4NPT STRAIGHT	015560	2	
17	BOLT, M16X140-8.8 HEX HEAD ZINC	F81006-4	6	
18	NUT, M16-8 HEX NYLON ZINC LOCK	F81036-2	6	
19	BOLT, M8X20-8.8-B HEX HEAD FULL THREAD ZINC	F81002-4	2	
20	WASHER, 8.4 FLAT ZINC	F81054-1	2	
21	NUT, M8-8-B HEX NYLON ZINC LOCK	F81032-2	2	
22	PIN, HYDRAULIC CYLINDER ZINC-PLATED	086979-1	2	
23	WASHER, 28 FLAT ZINC	F81061-1	4	
24	PIN, S-ZN 5X40 COTTER	F81043-31	4	
25	BUSHING, 25.8/38-26	557134-1	2	

9.25 Hydraulic Log Side Supports (S/M Type Frame)



REF.	DESCRIPTION (◆ indicates parts available in assemblies only)	PART #	QTY
	SUPPORT KIT, S/M FRAME LOG SIDE	507644	1
1	SUPPORT, HYDRAULIC LOG SIDE W/GUARD	099788-1	1
2	SUPPORT, LOG SIDE W/GUARD	507646-1	1
3	PLATE, LOG SIDE SUPPORT END	091591-1	3
4	PIN, LOG SIDE SUPPORT ZINC-PLATED	091549-1	3
5	BOLT, M12X75-8.8 HEX HEAD ZINC	F81004-21	6
6	BOLT, M12X35 8.8 HEX HEAD FULL THREAD ZI	F81004-24	3
7	WASHER, 13 FLAT ZINC	F81056-1	12
8	WASHER, 15 SPECIAL FLAT ZINC	F81057-3	3
9	NUT, M12 8 HEX NYLON ZINC LOCK	F81034-2	9
10	FITTING, 3/16X3/16 STRAIGHT GREASE	P04107	6
11	BOLT, M16X65-8.8-B HEX HEAD FULL THREAD	F81006-1	3
12	ROLLER, SIDE SUPPORT	015014-1	3
13	WASHER, 17 FLAT ZINC	F81058-1	9
14	NUT, M16-8 HEX NYLON ZINC LOCK	F81036-2	3
	ROD, SIDE SUPPORT LINK COMPLETE (L=1480)	091640	1
15	ROD, SIDE SUPPORT LINK ZINC-PLATED (L-1420)	089374-1	1
16	END, SAL12 ROD LEFT THREAD	087036	1
17	NUT, M12-04-A THIN ZINC	F81034-6	1
18	NUT, M12-04-A LEFT HEX THIN	F81034-7	1
19	ROD END (RIGHT THREAD)	087035	1
20	BOLT, M12X55-8.8 HEX HEAD ZINC	F81004-12	1
21	BOLT, M12X45 8.8 HEX HEAD ZINC	F81004-32	2
22	WASHER, 13 FLAT ZINC	F81056-1	4



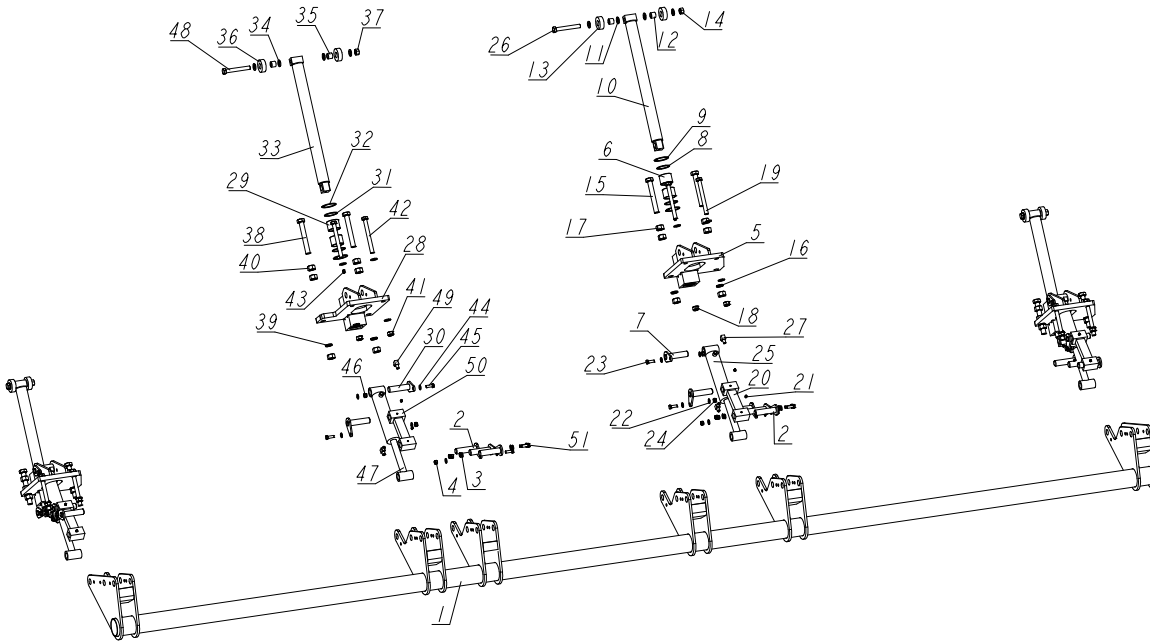
HYDRAULIC SYSTEM

Hydraulic Log Side Supports (S/M Type Frame)

23	NUT, M12 8 HEX NYLON ZINC LOCK	F81034-2	2	
	CYLINDER ASSEMBLY, 2X6 SIDE SUPPORT SUPE	015561	1	
24	CYLINDER, CJ-S270-16-50/28/152 Hydraulic	088678	1	
	SEAL KIT, 2X6 HYDRAULIC SEAL	P12954	1	
25	FITTING, 1/4NPT MALE PIPE ELBOW	P09140	2	
26	FITTING, 3/8" NPT X 1/4" NPT REDUCER	015490	4	
27	VALVE, SIDE SUPPORT SEQUENCE	015484	2	
28	FITTING, 1/4NPT MALE RUN TEE	015486	2	
29	FITTING, 3/8JIC-1/4NPT 90L	015491	2	
30	FITTING, 3/8JIC-1/4NPT STRAIGHT	015560	2	
31	PIN, HYDRAULIC CYLINDER ZINC-PLATED	086979-1	2	
32	WASHER, 28 FLAT ZINC	F81061-1	4	
33	PIN, S-ZN 5X40 COTTER	F81043-31	4	
34	WASHER, BN781 M12/13 EXTERNALLY SERRATED	F81056-16	4	
35	WASHER, BN783 M12/12.3/30.3 SERRATED	F81056-17	2	
36	SUPPORT, LOG SIDE W/GUARD 2	507645-1	1	
	PUSHER, SIDE SUPPORT - SHORT (L-380)	507647	1	
37	PUSHER, SIDE SUPPORT (L-320)	505439-1	1	
38	END, SAL12 ROD LEFT THREAD	087036	1	
39	NUT, M12-04-A THIN ZINC	F81034-6	1	
40	NUT, M12-04-A LEFT HEX THIN	F81034-7	1	
41	ROD END (RIGHT THREAD)	087035	1	
42	BOLT, M12X55-8.8 HEX HEAD ZINC	F81004-12	1	
43	BOLT, M12X45 8.8 HEX HEAD ZINC	F81004-32	1	
44	WASHER, 13 FLAT ZINC	F81056-1	4	
45	NUT, M12 8 HEX NYLON ZINC LOCK	F81034-2	2	

9.26 Vertical Side Support Kit - L-Type Frame

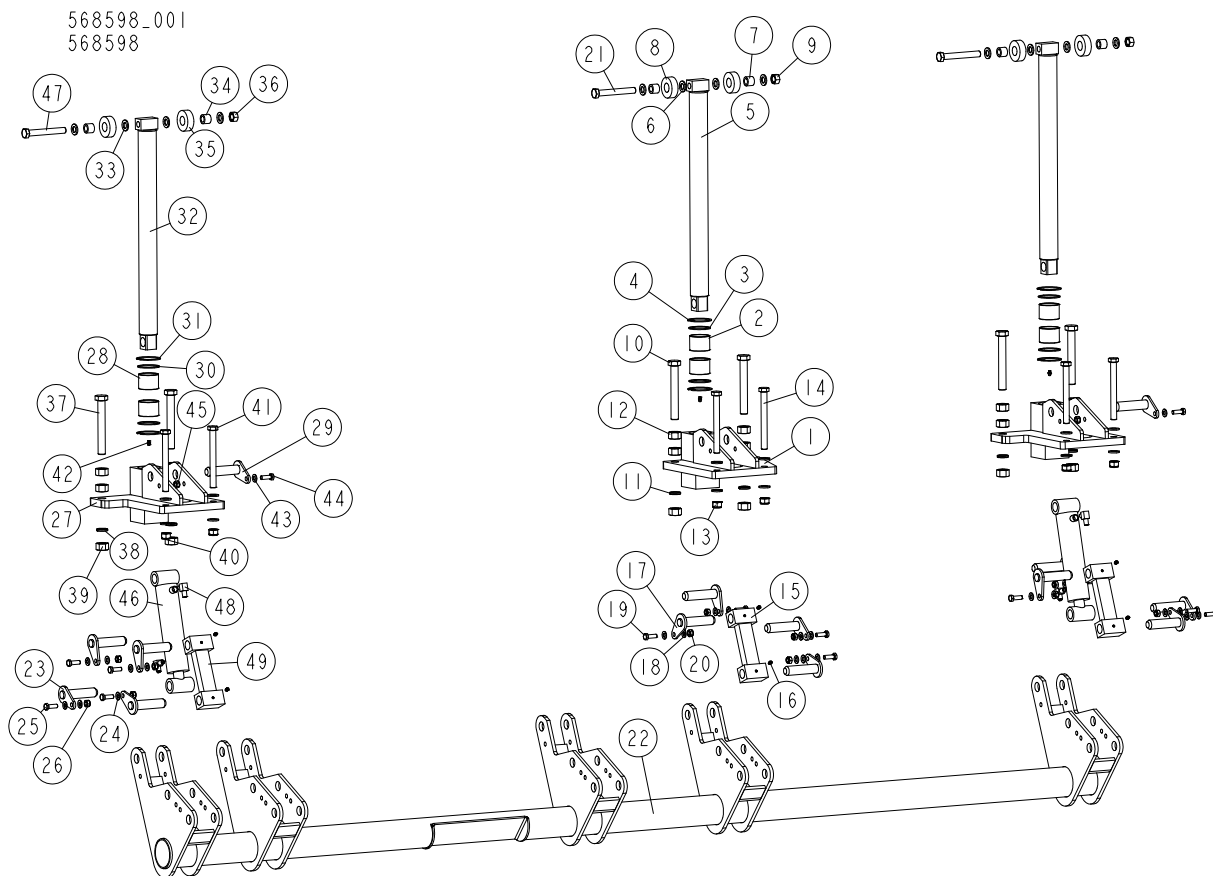
503567_001
503567_MANUAL



REF.	DESCRIPTION (◆ indicates parts available in assemblies only)	PART #	QTY
-	SUPPORT KIT, SPECIAL VERTICAL SIDE (L)	503567	1
1	MOUNT WELDMENT, VERTICAL SIDE SUPPORT L-TYPE FRAME	500001-1	1
2	PIN WELDMENT, VERTICAL SIDE SUPPORT ZINC	091197-1	12
3	WASHER, 10.5 FLAT ZINC	F81055-1	24
4	NUT, M10-8-B HEX NYLON ZINC LOCK	F81033-1	12
-	VERTICAL SIDE SUPPORT FOR STATIONARY FRAME	508957	3
5	MOUNT WELDMENT, LT70/300 VERTICAL SIDE SUPPORT	508958-1	1
6	BUSHING, 5040BS NON-GREASABLE	088660	2
7	PIN WELDMENT, VERTICAL SIDE SUPPORT ZINC	091197-1	2
8	RING, LT70/300 VERTICAL SIDE SUPPORT ZINC	094004-1	2
9	RING, 62W INSIDE RETAINING	F81090-1	2
10	ROD WELDMENT, VERTICAL SIDE SUPPORT	508971-1	1
11	WASHER, 17 FLAT ZINC	F81058-1	8
12	BUSHING, LT70/300 VERTICAL SIDE SUPPORT	094012	2
13	ROLLER, LT70/300 VERTICAL SIDE SUPPORT ZINC	094013-1	2
14	NUT, M16-5.8 HEX ZINC	F81036-1	1
15	BOLT, ISO 4017 M20X150 8.8 ZINC-PLATED	F81007-3	2
16	WASHER, 20.5 SPLIT LOCK ZINC	F81059-1	2
17	NUT, M20-8 HEX ZINC	F81037-1	6
18	NUT, M16-8 HEX NYLON ZINC LOCK	F81036-2	2
19	BOLT, M16X160 -8.8 HEX HEAD ZINC	F81006-20	2
20	LINK WELDMENT, LT70/300 VERTICAL SIDE SUPPORT	094016-1	1
21	FITTING, M6 GREASE	086280	3

REF.	DESCRIPTION (◆ indicates parts available in assemblies only)	PART #	QTY
22	WASHER, 10.5 FLAT ZINC	F81055-1	4
23	BOLT, M10X30-5.8 HEX HEAD FULL THREAD ZINC	F81003-2	2
24	NUT, M10-8-B HEX NYLON ZINC LOCK	F81033-1	2
25	CYLINDER, 28/150 1/4 NPT PORT HYDRAULIC	094002	1
26	BOLT, ISO 24014 M16X120_8.8 A2E	F81006-25	1
27	FITTING, 3/8JIC-1/4NPT 90L	015491	2
-	VERTICAL SIDE SUPPORT FOR STATIONARY FRA	508960	1
28	MOUNT WELDMENT, VERTICAL SUPPORT GUIDE	508961-1	1
29	BUSHING, 5040BS NON-GREASABLE	088660	2
30	PIN WELDMENT, VERTICAL SIDE SUPPORT ZINC	091197-1	2
31	RING, LT70/300 VERTICAL SIDE SUPPORT ZINC	094004-1	2
32	RING, 62W INSIDE RETAINING	F81090-1	2
33	ROD WELDMENT, VERTICAL SIDE SUPPORT	508971-1	1
34	WASHER, 17 FLAT ZINC	F81058-1	8
35	BUSHING, LT70/300 VERICAL SIDE SUPPORT	094012	2
36	ROLLER, LT70/300 VERTICAL SIDE SUPPORT ZINC	094013-1	2
37	NUT, M16-5.8 HEX ZINC	F81036-1	1
38	BOLT, ISO 4017 M20X150 8.8 ZINC-PLATED	F81007-3	2
39	WASHER, 20.5 SPLIT LOCK ZINC	F81059-1	2
40	NUT, M20-8 HEX ZINC	F81037-1	6
41	NUT, M16-8 HEX NYLON ZINC LOCK	F81036-2	2
42	BOLT, M16X160 -8.8 HEX HEAD ZINC	F81006-20	2
43	FITTING, M6 GREASE	086280	3
44	WASHER, 10.5 FLAT ZINC	F81055-1	4
45	BOLT, M10X30-5.8 HEX HEAD FULL THREAD ZINC	F81003-2	2
46	NUT, M10-8-B HEX NYLON ZINC LOCK	F81033-1	2
47	CYLINDER, 28/150 1/4 NPT PORT HYDRAULIC	094002	1
48	BOLT, ISO 24014 M16X120_8.8 A2E	F81006-25	1
49	FITTING, 3/8JIC-1/4NPT 90L	015491	2
50	LINK WELDMENT, LT70/300 VERTICAL SIDE SUPPORT	094016-1	1
51	BOLT, DIN933-M10X30-8.8-A2E HEX HEAD	F81003-111	12

9.27 Vertical Side Support Kit - M-Type Frame



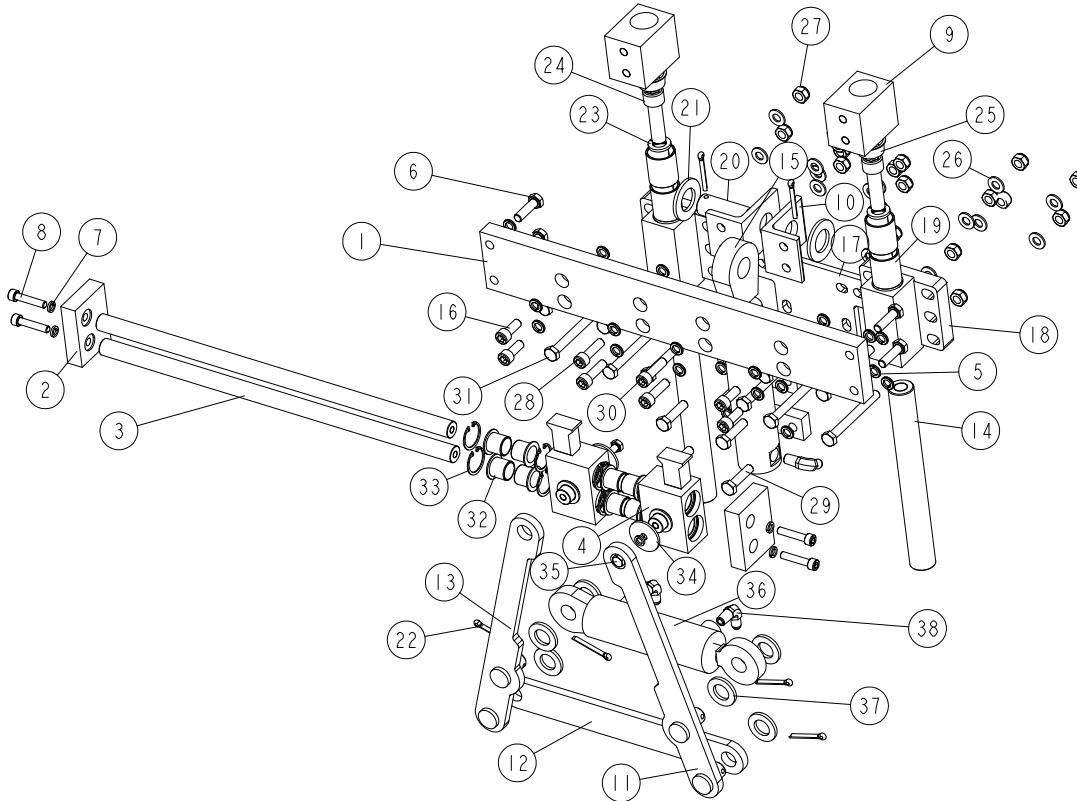
568598_001
568598

REF.	DESCRIPTION (◆ indicates parts available in assemblies only)	PART #	QTY
-	SUPPORT, VERTICAL LOG SIDE W/O CYLINDER	536172	1
1	MOUNT WELDMENT, LT70/300 VERTICAL SIDE SUPPORT	508958-1	1
2	BUSHING, 5040BS NON-GREASABLE	088660	2
3	RING, LT70/300 VERTICAL SIDE SUPPORT ZINC	094004-1	2
4	RING, 62W INSIDE RETAINING	F81090-1	2
5	ROD WELDMENT, VERTICAL SIDE SUPPORT	508971-1	1
6	WASHER, 17 FLAT ZINC	F81058-1	8
7	BUSHING, LT70/300 VERTICAL SIDE SUPPORT	094012	2
8	ROLLER, LT70/300 VERTICAL SIDE SUPPORT ZINC	094013-1	2
9	NUT, M16-5.8 HEX ZINC	F81036-1	1
10	BOLT, ISO 4017 M20X150 8.8 ZINC-PLATED	F81007-3	2
11	WASHER, 20.5 SPLIT LOCK ZINC	F81059-1	2
12	NUT, M20-8 HEX ZINC	F81037-1	6
13	NUT, M16-8 HEX NYLON ZINC LOCK	F81036-2	2
14	BOLT, M16X160 -8.8 HEX HEAD ZINC	F81006-20	2
15	LINK WELDMENT, LT70/300 VERTICAL SIDE SUPPORT	094016-1	1
16	FITTING, M6 GREASE	086280	3
17	PIN WELDMENT, VERTICAL SIDE SUPPORT ZINC	091197-1	1
18	WASHER 10,5 ZC DIN 126 ISO 7091	F81055-1	2
19	BOLT, M10X30-5.8 HEX HEAD FULL THREAD ZINC	F81003-2	1

REF.	DESCRIPTION (◆ indicates parts available in assemblies only)	PART #	QTY	
20	NUT M10 ZC 8 NYLOCK DIN 982 ISO 7040	F81033-1	1	
21	BOLT, ISO 24014 M16X120_8.8 A2E	F81006-25	1	
22	MOUNT WELDMENT, VERTICAL SIDE SUPPORT M-TYPE FRAME	568600-1	1	
23	PIN WELDMENT, VERTICAL SIDE SUPPORT ZINC	091197-1	9	
24	WASHER 10,5 ZC DIN 126 ISO 7091	F81055-1	18	
25	BOLT, DIN933-M10X30-8.8-A2E HEX HEAD	F81003-111	9	
26	NUT M10 ZC 8 NYLOCK DIN 982 ISO 7040	F81033-1	9	
-	VERTICAL SIDE SUPPORT FOR STATIONARY FRAME	508960	2	
27	MOUNT WELDMENT, VERTICAL SUPPORT GUIDE	508961-1	1	
28	BUSHING, 5040BS NON-GREASABLE	088660	2	
29	PIN WELDMENT, VERTICAL SIDE SUPPORT ZINC	091197-1	2	
30	RING, LT70/300 VERTICAL SIDE SUPPORT ZINC	094004-1	2	
31	RING, 62W INSIDE RETAINING	F81090-1	2	
32	ROD WELDMENT, VERTICAL SIDE SUPPORT	508971-1	1	
33	WASHER, 17 FLAT ZINC	F81058-1	8	
34	BUSHING, LT70/300 VERTICAL SIDE SUPPORT	094012	2	
35	ROLLER, LT70/300 VERTICAL SIDE SUPPORT ZINC	094013-1	2	
36	NUT, M16-5.8 HEX ZINC	F81036-1	1	
37	BOLT, ISO 4017 M20X150 8.8 ZINC-PLATED	F81007-3	2	
38	WASHER, 20.5 SPLIT LOCK ZINC	F81059-1	2	
39	NUT, M20-8 HEX ZINC	F81037-1	6	
40	NUT, M16-8 HEX NYLON ZINC LOCK	F81036-2	2	
41	BOLT, M16X160 -8.8 HEX HEAD ZINC	F81006-20	2	
42	FITTING, M6 GREASE	086280	3	
43	WASHER 10,5 ZC DIN 126 ISO 7091	F81055-1	4	
44	BOLT, M10X30-5.8 HEX HEAD FULL THREAD ZI	F81003-2	2	
45	NUT M10 ZC 8 NYLOCK DIN 982 ISO 7040	F81033-1	2	
46	CYLINDER, 28/150 1/4 NPT PORT HYDRAULIC	094002	1	
47	BOLT, ISO 24014 M16X120_8.8 A2E	F81006-25	1	
48	FITTING, 3/8JIC-1/4NPT 90L	015491	2	
49	LINK WELDMENT, LT70/300 VERTICAL SIDE SUPPORT	094016-1	1	

9.28 Hydraulic Pull-Down Clamp

094129_001
094129_MANUAL

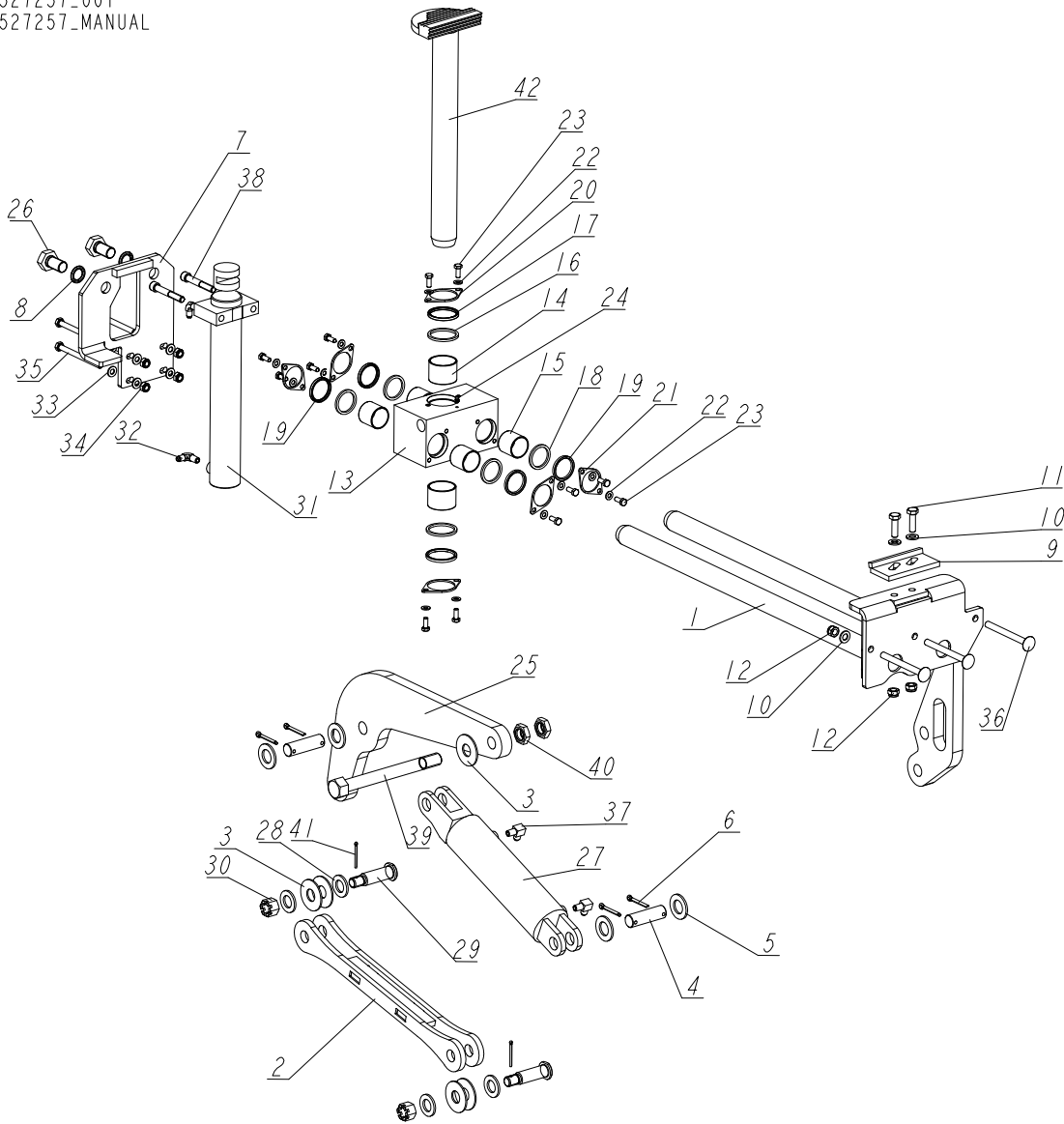


REF.	DESCRIPTION (◆ indicates parts available in assemblies only)	PART #	QTY
-	CLAMP ASSEMBLY, HYDRAULIC LOG - COMPLETE	094129	1
1	BEAM, LOG CLAMP MAIN ZINC-PLATED	094115-1	1
2	PLATE, LOCKING ZINC-PLATED	094117-1	2
3	ROD, LOG CLAMP JAW GUIDE	094116	2
4	JAW WELDMENT, LOG CLAMP ZINC-PLATED	094120-1	2
5	WASHER, Z 10.2 SPLIT LOCK ZINC	F81055-2	26
6	BOLT, M10X35-8.8 HEX HEAD FULL THREAD ZINC	F81003-17	4
7	WASHER, 8.2 SPLIT LOCK ZINC	F81054-4	6
8	SCREW, M8X40-8.8 HEX SOCKET HEAD CAP ZINC	F81002-29	4
9	BLOCK, LOG CLAMP UP/DOWN	094124-1	2
10	ANGLE, LOG CLAMP BRACKET	094127-1	2
11	LINK, LOG CLAMP IN/OUT SIDE ZINC-PLATED (2)	094099-1	1
12	ARM, LOG CLAMP IN/OUT ZINC-PLATED	094092-1	1
13	LINK, LOG CLAMP IN/OUT SIDE ZINC-PLATED (1)	094097-1	1
14	PIN, LOG CLAMP UP/DOWN	088631	2
15	CYLINDER, CJ7F-16/40/22 + UE2-40W HYDRAULIC	091346	1
16	SCREW, M10X25 8.8 HEX SOCKET HEAD CAP ZINC	F81003-32	4
17	PLATE WELDMENT, HYDRAULIC CYLINDER MOUNTING	094094-1	1
-	GUIDE BLOCK W/SELF-LUBRICATING BUSHINGS	090544	2

REF.	DESCRIPTION (◆ indicates parts available in assemblies only)	PART #	QTY
18	BLOCK WELDMENT, LOG CLAMP GUIDE PTD	090543-1	1
19	BUSHING, 3040BS SELF-LUBRICATING	088676	2
20	PIN, 25X75 ZINC-PLATED	088659-1	1
21	WASHER, 28 FLAT ZINC	F81061-1	2
22	PIN, S-ZN 5X40 COTTER	F81043-31	6
23	WASHER, 16.3 SPLIT LOCK ZINC	F81058-2	2
24	SCREW, M16X55-8.8 HEX SOCKET HEAD CAP ZINC	F81006-18	2
25	PLUG, M33 THREAD #12428	089839	2
26	WASHER, 10.5 FLAT ZINC	F81055-1	18
27	NUT, M10-8-B HEX NYLON ZINC LOCK	F81033-1	18
28	SCREW, M10X35 8.8 HEX SOCKET HEAD CAP ZINC	F81003-56	4
29	BOLT, M10X40-8.8 HEX HEAD FULL THREAD ZINC	F81003-16	4
30	BOLT, M10X75-8.8 HEX HEAD ZINC	F81003-15	2
31	BOLT, M10X95-8.8-B HEX HEAD ZINC	F81003-71	8
32	BUSHING, JFM-2023-21 FLANGED	094113	8
33	RING, W31 INSIDE RETAINING	F81090-53	8
34	WASHER, ZINC-PLATED SPACER	094128-1	2
35	BOLT, M8X12-8.8 HEX HEAD FULL THREAD ZINC	F81002-6	2
36	CYLINDER, SJ2F-16-40/22/80 HYDRAULIC	093880	1
37	WASHER, 21 FLAT ZINC	F81059-2	6
38	FITTING, 1/4NPTX1/4JIC MALE ELBOW	P09142	4

9.29 Main Hydraulic Log Clamp (2 Rods)

527257_001
527257_MANUAL



REF.	DESCRIPTION (◆ indicates parts available in assemblies only)	PART #	QTY
-	CLAMP, MAIN HYDRAULIC - 2 RODS	527257	1
1	ROD WELDMENT, MAIN HYDRAULIC CLAMP	525107-1	1
2	ARM WELDMENT, HYDRAULIC CLAMP LINK	086963-1	1
3	WASHER, 25 X 63 ZINC-PLATED	088585-1	5
4	PIN, HYDRAULIC CYLINDER ZINC-PLATED	086979-1	2
5	WASHER, 28 FLAT ZINC	F81061-1	4
6	PIN, S-ZN-6.3X45 COTTER	F81045-2	4
7	PLATE, MOUNT (LOG CLAMP W/2 RODS)	527258-1	1
8	WASHER, Z 22.5 SPLIT LOCK ZINC	F81059-4	2
9	STOP WLDMT, HYDRAULIC LOG CLAMP	086980-1	1
10	WASHER, 13 FLAT ZINC	F81056-1	5
11	BOLT, M12X40 8.8 HEX HEAD FULL THREAD ZINC	F81004-4	2

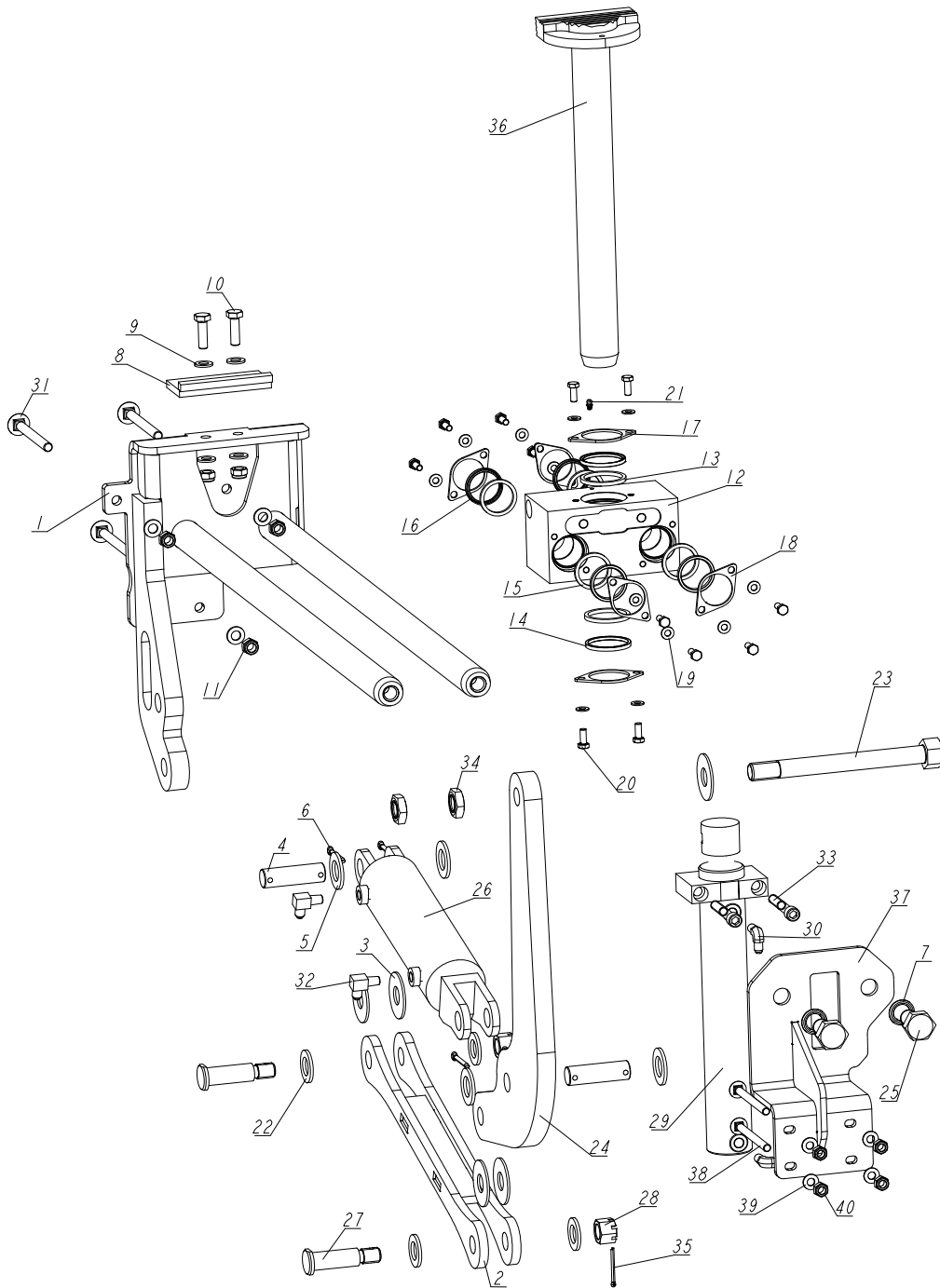


HYDRAULIC SYSTEM

Main Hydraulic Log Clamp (2 Rods)

REF.	DESCRIPTION (◆ indicates parts available in assemblies only)	PART #	QTY
12	NUT, M12 8 HEX NYLON ZINC LOCK	F81034-2	5
-	BLOCK, STEEL W/BUSHINGS - COMPLETE	521951	1
-	BLOCK, STEEL W/BUSHINGS	521950-1	1
13	BLOCK, STEEL	521937	1
14	BUSHING, 5040BS NON-GREASABLE	088660	2
15	BUSHING, 4040BS SELF-LUBRICATING	525077	4
16	SPACER, HYDRAULIC LOG CLAMP	089324	2
17	WIPER, ZZ 50X60X7 INCO LOG CLAMP ROD	088587	2
18	WASHER, WIPER - WIDE	525080	4
19	WIPER, ZZ-40X50X5/7	525079	4
20	FLANGE, CLAMP ROD WIPER PAINTED	088887-1	2
21	FLANGE, WIPER	525081-1	4
22	WASHER, 8.4 FLAT ZINC	F81054-1	12
23	BOLT, M8X20-8.8-B HEX HEAD FULL THREAD ZINC	F81002-4	12
24	FITTING, 3/16X3/16 STRAIGHT GREASE	P04107	1
25	ARM, HYDRAULIC LOG CLAMP LINK	086974-1	1
26	BOLT, M22X1,5X40-8.8-B HEX HEAD FULL ZINC	F81009-1	2
27	CYLINDER, CJ-596-16-70/32/78 HYDRAULIC	088589	1
	GASKET, WM 70/32H178AU(088589)(088680)	589503-S	1
28	WASHER, 25 FLAT ZINC	F81061-3	4
29	PIN, B 24X95/85 CLEVIS ZINC	F81049-2	2
30	NUT, Z M20-8-B SLOTTED CASTLE ZINC	F81037-3	2
31	CYLINDER, CJ-S582-16-50/35/300	711617	1
32	FITTING, 1/4NPTX1/4JIC MALE ELBOW	P09142	2
33	WASHER, 10.5 FLAT ZINC	F81055-1	8
34	NUT, M10-8-B HEX NYLON ZINC LOCK	F81033-1	4
35	BOLT, M10 X 125-8.8 HEX HEAD ZINC	F81003-18	4
36	BOLT, M12X130-8.8 CARRIAGE HEAD ZINC	F81004-26	3
37	FITTING, 3/8JIC-1/4NPT 90L	015491	2
38	SCREW, M12X80-8.8 HEX SOCKET HEAD CAP ZINC	F81004-20	2
39	BOLT M24X240-8.8-B HEX HEAD ZINC	F81009-17	1
40	NUT, M24-04-B HEX THIN ZINC	F81039-3	2
41	PIN, 4X30 COTTER ZINC-PLATED	F81043-22	2
42	ROD ASSEMBLY, VERTICAL	710735-1	1

9.30 Main Log Clamp (540970)



REF.	DESCRIPTION (◆ indicates parts available in assemblies only)	PART #	QTY
-	MAIN LOG CLAMP	540970	1
1	ROD ASSEMBLY, MAIN LOG CLAMP	540969-1	1
2	ARM WELDMENT, HYDRAULIC CLAMP LINK	086963-1	1
3	WASHER, 25 x 63 ZINC-PLATED	088585-1	5
4	PIN, HYDRAULIC CYLINDER ZINC-PLATED	086979-1	2
5	WASHER, 28	F81061-1	4



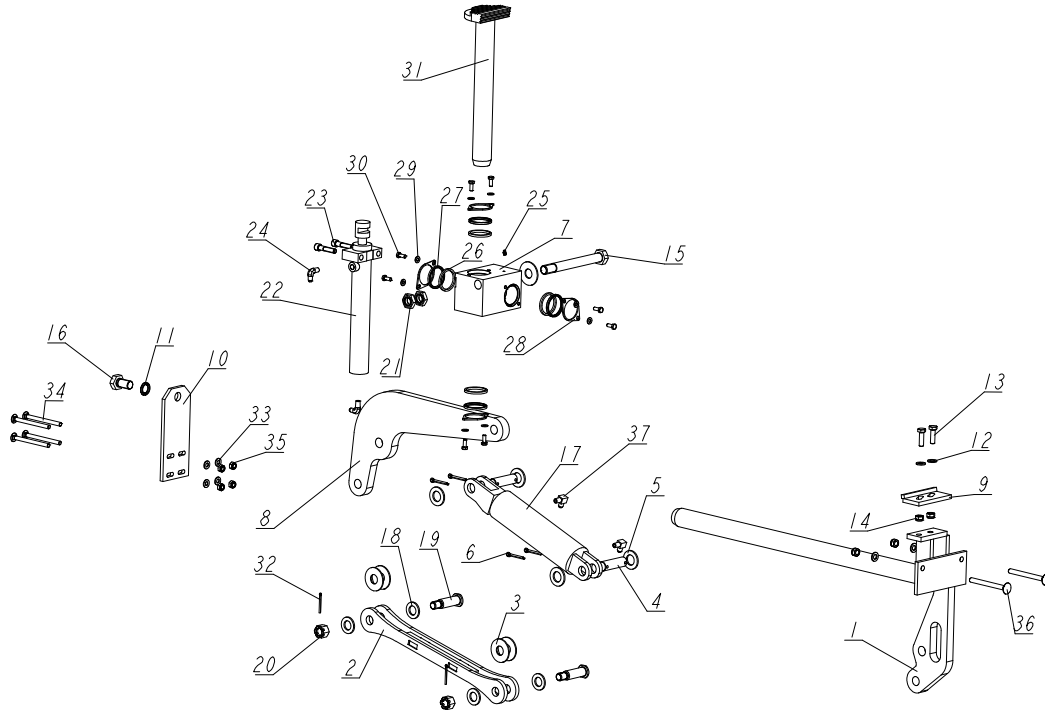
HYDRAULIC SYSTEM

Main Log Clamp (540970)

REF.	DESCRIPTION (◆ indicates parts available in assemblies only)	PART #	QTY	
6	PIN, S-ZN-6.3X45 COTTER	F81045-2	4	
7	WASHER, Z 22.5 SPLIT LOCK ZINC	F81059-4	2	
8	STOP WLDMT, HYDRAULIC LOG CLAMP PAINTED	086980-1	1	
9	WASHER,13 FLAT ZINC	F81056-1	7	
10	BOLT, M12x40 8.8 HEX HEAD FULL THR.ZINC	F81004-4	2	
11	NUT, M12 8 HEX NYLON ZINC LOCK	F81034-2	5	
-	BLOCK, STEEL W/BUSHINGS - COMPLETE	521951	1	
12	BLOCK, STEEL W/BUSHINGS	521950-1	1	
13	SPACER, HYDRAULIC LOG CLAMP	089324	2	
14	WIPER, ZZ 50x60x7 INCO LOG CLAMP ROD	088587	2	
15	WASHER, WIPER - WIDE	525080	4	
16	WIPER, ZZ-40X50X5/7	525079	4	
17	FLANGE, CLAMP ROD WIPER PAINTED	088887-1	2	
18	FLANGE, WIPER	525081-1	4	
19	WASHER, 8.4 FLAT ZINC	F81054-1	12	
20	BOLT, M8x20-8.8-B HEX HEAD FULL THREAD ZINC	F81002-4	12	
21	FITTING, 3/16X3/16 STRAIGHT GREASE	P04107	1	
22	WASHER, 25 FLAT ZINC	F81061-3	4	
23	BOLT M24X240-8.8-B HEX HEAD ZINC	F81009-17	1	
24	arm, log clamp	547699-1	1	
25	BOLT,M22X1,5X40-8.8-B HEX HEAD FULL ZINC	F81009-1	2	
26	CYLINDER, CJ-596-16-70/32/78 HYDRAULIC	088589	1	
	GASKET, WM 70/32H178AU(088589)(088680)	589503-S	1	
27	PIN, B 24x95/85 CLEVIS ZINC	F81049-2	2	
28	NUT, Z M20-8-B SLOTTED CASTLE ZINC	F81037-3	2	
29	CYLINDER, CJ-S582-16-50/35/300	711617	1	
30	FITTING, 1/4NPTX1/4JIC MALE ELBOW	P09142	2	
31	BOLT, M12X130-8.8 CARRIAGE HEAD ZINC	F81004-26	3	
32	FITTING, 3/8JIC-1/4NPT 90L	015491	2	
33	SCREW, M12x80-8.8 HEX SOCKET HEAD CAP ZINC	F81004-20	2	
34	NUT, M24-04-B HEX THIN ZINC	F81039-3	2	
35	PIN, 4x30 COTTER ZINC-PLATED	F81043-22	2	
36	ROD ASSEMBLY, VERTICAL	710735-1	1	
37	BRACKET, COMPLETE	547682-1	1	
38	BOLT, M10X125 CARRIAGE	F81003-34	4	
39	WASHER, 10.5 FLAT ZINC	F81055-1	4	
40	NUT, M10-8-B HEX NYLON ZINC LOCK	F81033-1	4	

9.31 Two-Plane Log Clamp - M-Type Frame +100 (544213)

544213_001
544213_MANUAL



REF.	DESCRIPTION (◆ indicates parts available in assemblies only)	PART #	QTY
-	TWO-PLANE LOG CLAMP (M-TYPE FRAME +100)	544213	1
1	ROD ASSEMBLY, TWO-PLANE LOG CLAMP	544212-1	1
2	ARM WELDMENT, HYDRAULIC CLAMP LINK PTD	086963-1	1
3	WASHER, 25 X 63	088585	5
4	PIN, HYDRAULIC CYLINDER ZINC-PLATED	086979-1	2
5	WASHER, 28	F81061-1	4
6	PIN, S-ZN-6.3X45 COTTER	F81045-2	4
7	BLOCK, LOG CLAMP PAINTED STEEL	088591-1	1
8	ARM, LX450 HYDRAULIC CLAMP LINK	518923-1	1
9	STOP WLDMT, HYDRAULIC LOG CLAMP PAINTED	086980-1	1
10	MOUNTING PLATE, PAINTED	551125-1	1
11	WASHER, Z 22.5 SPLIT LOCK ZINC	F81059-4	1
12	WASHER, 13 FLAT ZINC	F81056-1	4
13	BOLT, M12X40 8.8 HEX HEAD FULL THR.ZINC	F81004-4	2
14	NUT, M12 8 HEX NYLON ZINC LOCK	F81034-2	4
15	BOLT, M24X217/39-8.8-B HEX HEAD ZINC	088586-1	1
16	BOLT, M22X1,5X40-8.8-B HEX HEAD FULL ZINC	F81009-1	1
17	CYLINDER, CJ-596-16-70/32/78 HYDRAULIC	088589	1
	GASKET, WM 70/32H178AU(088589)(088680)	589503-S	1
18	WASHER, 25 FLAT ZINC	F81061-3	4
19	PIN, B 24x95/85 CLEVIS ZINC	F81049-2	2
20	NUT, Z M20-8-B SLOTTED CASTLE ZINC	F81037-3	2

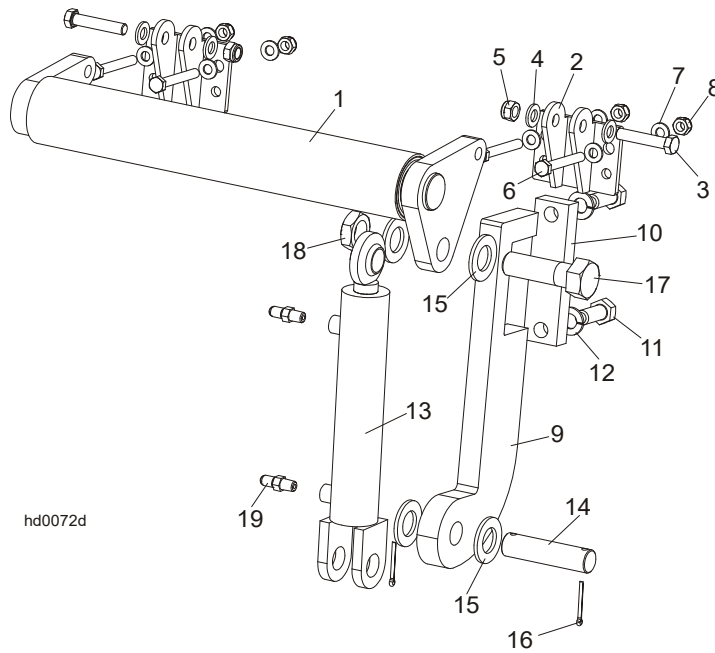


HYDRAULIC SYSTEM

Two-Plane Log Clamp - M-type Frame +100 (544213)

REF.	DESCRIPTION (◆ indicates parts available in assemblies only)	PART #	QTY	
21	NUT, M24-04-B HEX THIN ZINC	F81039-3	2	
22	CYLINDER, C-J-S169-16-40/22/254 HYDRAULIC	088590	1	
23	SCREW, M12X55-8.8-B HEX SOCKET HEAD CAP	F81004-23	2	
24	FITTING, 1/4NPTX1/4JIC MALE ELBOW	P09142	2	
25	FITTING, 3/16X3/16 STRAIGHT GREASE	P04107	1	
26	SPACER, HYDRAULIC LOG CLAMP	089324	4	
27	WIPER, ZZ 50x60x7 INCO LOG CLAMP ROD	088587	4	
28	FLANGE, CLAMP ROD WIPER PAINTED	088887-1	4	
29	WASHER, 8.4 FLAT ZINC	F81054-1	8	
30	BOLT, M8x20-8.8-B HEX HEAD FULL THREAD ZINC	F81002-4	8	
31	ROD WELDMENT, LOG CLAMP VERTICAL PAINTED	088582-1	1	
32	PIN, S-ZN 4 X 45 COTTER	F81043-21	2	
33	WASHER, 10.5 FLAT ZINC	F81055-1	4	
34	BOLT, M10X125 CARRIAGE	F81003-34	4	
35	NUT, M10-8-B HEX NYLON ZINC LOCK	F81033-1	4	
36	BOLT, M12X130-8.8 CARRIAGE HEAD ZINC	F81004-26	2	
37	FITTING, 3/8JIC-1/4NPT 90L	015491	2	

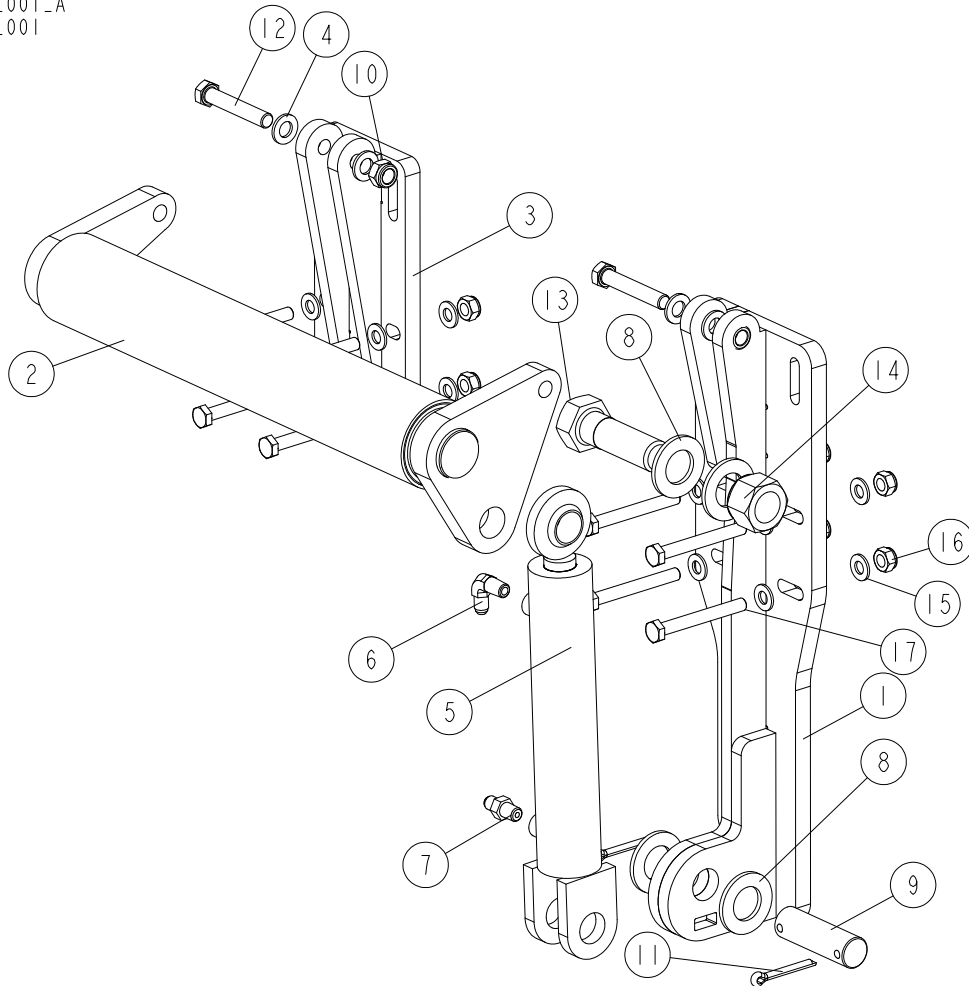
9.32 Hydraulic Toe Board



REF.	DESCRIPTION (◆ indicates parts available in assemblies only)	PART #	QTY
	FRONT HYDRAULIC TOE BOARD	092613	1
	HYDRAULIC TOE BOARD - REAR	092634	1
1	TOE BOARD WELDMENT, FRONT HYDRAULIC	092612-1	1
1	ROLLER WELDMENT, HYDRAULIC TOE BOARD	086253-1	1
2	BRACKET, TOE BOARD ROLLER MOUNT	087903-1	2
3	BOLT, M12X60-8.8 HEX HEAD ZINC	F81004-5	4
4	WASHER, 13 FLAT ZINC	F81056-1	8
5	NUT, M12 8 HEX NYLON ZINC LOCK	F81034-2	4
6	BOLT, M10X75-8.8 HEX HEAD ZINC	F81003-15	8
7	WASHER, 10.5 FLAT ZINC	F81055-1	16
8	NUT, M10-8-B HEX NYLON ZINC LOCK	F81033-1	8
9	PLATE, TOE BOARD CYLINDER MOUNT	087729-1	2
10	PLATE, HYDRAULIC TOE BOARD MOUNT	090086-1	2
11	BOLT, M16X40-8.8 HEX HEAD FULL THREAD ZINC	F81006-13	4
12	WASHER, 16.3 SPLIT LOCK ZINC	F81058-2	4
13	CYLINDER, CJ-S170-16-40/25/152 HYDRAULIC	088681	2
14	PIN, HYDRAULIC CYLINDER ZINC-PLATED	086979-1	2
15	WASHER, 28 FLAT ZINC	F81061-1	8
16	PIN, 3/16X1.5 COTTER ZINC	F05012-23	4
17	BOLT, 1-8X3 1/4 HEX HEAD GRADE 5	F05009-51	2
18	NUT, 1-14 HEX JAM UNPLATED	F05010-117	2
19	FITTING, 1/4NPTX1/4JIC MALE	P09143	4

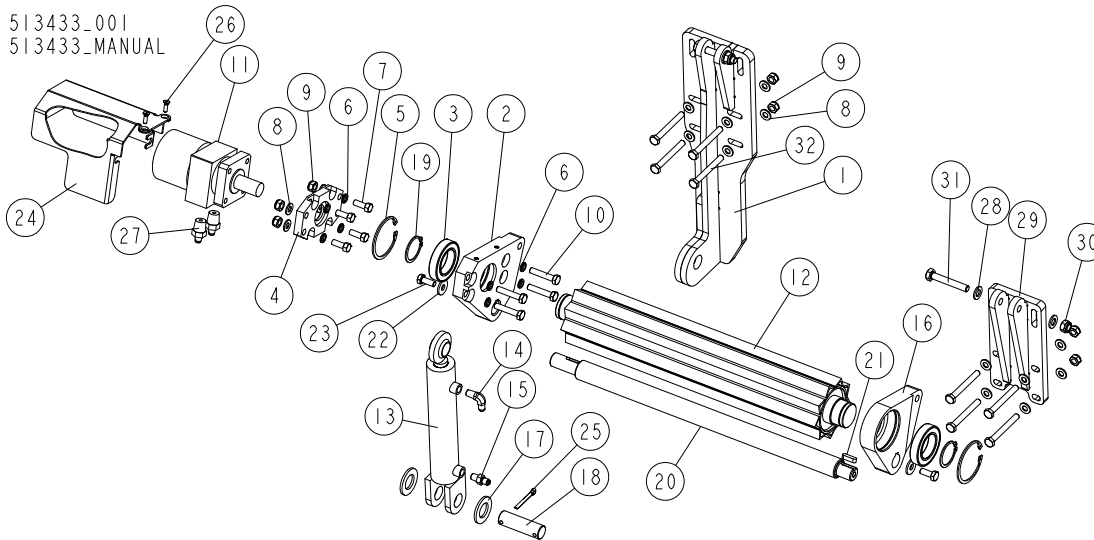
9.33 Left Hydraulic Toe Board (on lower bed rail)

519735_001_A
519735_001



REF.	DESCRIPTION (◆ indicates parts available in assemblies only)	PART #	QTY
-	ROLLER, LEFT HYDRAULIC TOE BOARD (MOUNTED ON LOWER BED RAIL)	519735	1
1	BRACKET WELDMENT, HYDRAULIC CYLINDER MOUNT (LEFT)	527018-1	1
2	ROLLER WELDMENT, HYDRAULIC TOE BOARD	086253-1	1
3	BRACKET WELDMENT, HYDRAULIC TOE BOARD	520099-1	1
4	WASHER, 13 FLAT ZINC	F81056-1	28
-	CYLINDER, HYDRAULIC TOE BOARD	085937	1
5	CYLINDER, CJ-S170-16-40/25/152 HYDRAULIC	088681	1
6	FITTING, 1/4NPTX1/4JIC MALE ELBOW	P09142	1
7	FITTING, 1/4NPTX1/4JIC MALE	P09143	1
8	WASHER, 28 FLAT ZINC	F81061-1	4
9	PIN, HYDRAULIC CYLINDER ZINC-PLATED	086979-1	1
10	NUT, M12 8 HEX NYLON ZINC LOCK	F81034-2	14
11	PIN, S-Zn-6.3x45 COTTER	F81045-2	2
12	BOLT, M12X70-8.8-HEX HEAD ZINC	F81004-39	2
13	BOLT, M12X90 8.8 HEX HEAD ZINC	F81004-2	12
14	BOLT, 1-8X3 1/4 HEX HEAD GRADE 5	F05009-51	1
15	NUT, 1-8 HEX NYLON LOCK ZINC	F05010-109	1

9.34 Driven Log Levelling Roller (mounted on lower bed rail)



REF.	DESCRIPTION (◆ indicates parts available in assemblies only)	PART #	QTY
-	ROLLER, DRIVEN LOG LEVELLING (LOWER BED RAIL)	513433	1
1	BRACKET WELDMENT, POWER ROLLER	510605-1	1
2	BRACKET, SIDE W/HYDRO MOTOR CONNECTOR	096029-1	1
3	BEARING, 6009.2RSR (FAG) ROLLING	096025	2
4	PLATE, HYDRAULIC MOTOR MOUNT	096030-1	1
5	RING, W 75 INSIDE RETAINING	F81090-41	2
6	WASHER, Z 10.2 SPLIT LOCK ZINC	F81055-2	8
7	BOLT, 3/8-16X1 HHC	F05007-7	4
8	WASHER, 10.5 FLAT ZINC	F81055-1	20
9	NUT, M10-8-B HEX NYLON ZINC LOCK	F81033-1	12
10	BOLT, M10x50-8.8 HEX HEAD FULL THREAD ZINC	F81003-4	4
11	MOTOR, MG06-13-13AAAB HYDRAULIC	P21506	1
12	ROLLER WELDMENT, DRIVEN LOG LEVELLING	096028-1	1
-	CYLINDER, HYDRAULIC TOE BOARD	085937	1
13	CYLINDER, CJ-S170-16-40/25/152 HYDRAULIC	088681	1
14	FITTING, 1/4NPTX1/4JIC MALE ELBOW	P09142	1
15	FITTING, 1/4NPTX1/4JIC MALE	P09143	1
16	BRACKET, SIDE	096031-1	1
17	WASHER, 28 FLAT ZINC	F81061-1	2
18	PIN, HYDRAULIC CYLINDER ZINC-PLATED	086979-1	1
19	RING, Z 45 OUTSIDE RETAINING	F81090-32	2
20	ROD, CONNECTION	096034-1	1
21	KEY, A8x7x28 PARALLEL	096035	2
22	WASHER, 10.5 SPECIAL FLAT ZINC	F81055-6	2
23	BOLT, M10X25 8.8 HEX HEAD FULL THREAD	F81003-31	2
24	COVER, HYDRAULIC MOTOR	096037-1	1
25	PIN, S-Zn-6.3x45 COTTER	F81045-2	1
26	SCREW, M6X20-5.8-B SLOTTED COUNTERSUNK HEAD ZINC	F81001-31	2



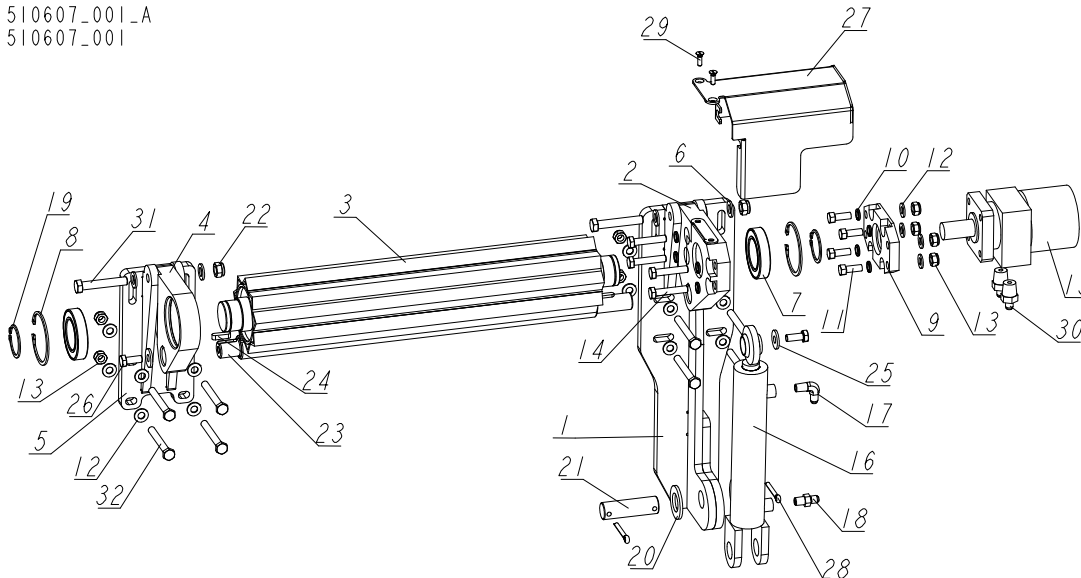
HYDRAULIC SYSTEM

Driven Log Levelling Roller (mounted on lower bed rail)

REF.	DESCRIPTION (◆ indicates parts available in assemblies only)	PART #	QTY	
27	FITTING, 1/2-14NPT/ 7/16-20UNF STRAIGHT W/MALE THREAD	096919	2	
28	WASHER,13 FLAT ZINC	F81056-1	4	
29	BRACKET WELDMENT, HYDRAULIC TOE BOARD	520099-1	1	
30	NUT, M12 8 HEX NYLON ZINC LOCK	F81034-2	2	
31	BOLT, M12X75-8.8-HEX HEAD FULL THREAD ZINC	F81004-10	2	
32	BOLT, M10X85-8.8-HEX HEAD ZINC	F81003-125	8	

9.35 Driven Log Levelling Roller, Lower Bed Rail (510607), Back "L" Frame (544241)

510607_001-A
510607_001



REF.	DESCRIPTION (◆ indicates parts available in assemblies only)	PART #	QTY
-	DRIVEN LOG LEVELLING ROLLER - LEFT W/CLAMP	510607	1
-	DRIVEN LOG LEVELLING ROLLER - LEFT, BACK, "L" FRAME	544241	1
1	BRACKET WELDMENT, HYDRAULIC CYLINDER MOUNT	527018-1	1
2	BRACKET, SIDE W/HYDRO MOTOR CONNECTOR	507684-1	1
3	ROLLER WELDMENT, DRIVEN LOG LEVELLING	096028-1	1
4	BRACKET, SIDE	507687-1	1
5	BRACKET WELDMENT, ROLLER	520099-1 ¹	1
	BRACKET WELDMENT, BACK, "L" FRAME	544240 ²	1
6	WASHER, 13 FLAT ZINC	F81056-1	21
7	BEARING, 6009.2RSR (FAG) ROLLING	096025	2
8	RING, W 75 INSIDE RETAINING	F81090-41	2
9	PLATE, HYDRAULIC MOTOR MOUNT	096030-1	1
10	WASHER, Z 10.2 SPLIT LOCK ZINC	F81055-2	8
11	BOLT, 3/8-16X1 HHC	F05007-7	4
12	WASHER, 10.5 FLAT ZINC	F81055-1	4
13	NUT, M10-8-B HEX NYLON ZINC LOCK	F81033-1	4
14	BOLT, M10x50-8.8 HEX HEAD FULL THREAD ZINC	F81003-4	4
15	MOTOR, MG06-13-13AAAB HYDRAULIC	P21506	1
-	CYLINDER, HYDRAULIC TOE BOARD	085937	1
16	CYLINDER, CJ-S170-16-40/25/152 HYDRAULIC	088681	1
17	FITTING, 1/4NPTX1/4JIC MALE ELBOW	P09142	1
18	FITTING, 1/4NPTX1/4JIC MALE	P09143	1
19	RING, Z 45 OUTSIDE RETAINING	F81090-32	2
20	WASHER, 28 FLAT ZINC	F81061-1	2
21	PIN, 25.4x84	086979	1
22	NUT, M12 8 HEX NYLON ZINC LOCK	F81034-2	11



HYDRAULIC SYSTEM

Driven Log Levelling Roller, Lower Bed Rail (510607), Back "L" Frame (544241)

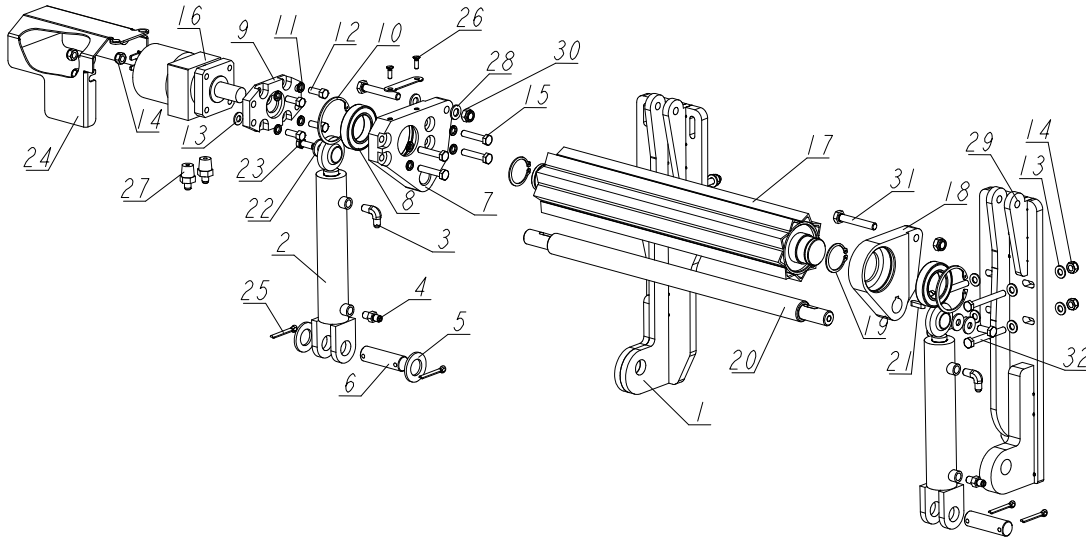
REF.	DESCRIPTION (◆ indicates parts available in assemblies only)	PART #	QTY	
23	ROD, CONNECTION	096034	1	
24	KEY, A8x7x28 PARALLEL	096035	2	
25	WASHER, 10.5 SPECIAL FLAT ZINC	F81055-6	2	
26	BOLT, M10X25 8.8 HEX HEAD FULL THREAD	F81003-31	2	
27	GUARD, HYDRAULIC MOTOR	507690-1	1	
28	PIN, S-Zn-6.3x45 COTTER	F81045-2	2	
29	SCREW, M6X20-5.8-B SLOTTED COUNTERSUNK HEAD ZINC	F81001-31	2	
30	FITTING, 1/2-14NPT/ 7/16-20UNF STRAIGHT W/MALE THREAD	096919	2	
31	BOLT, M12X70-8.8-HEX HEAD ZINC	F81004-39	2	
32	BOLT, M12X90 8.8 HEX HEAD ZINC	F81004-2	8	

¹ Included in 510607

² Included in 544241

9.36 Log Levelling Driven Roller. 2 Cylinders.

526160_001_A
526160_MANUAL



REF.	DESCRIPTION (◆ indicates parts available in assemblies only)	PART #	QTY
-	DRIVEN LOG LEVELLING ROLLER, W/2 CYLINDE	526160	1
-	ROLLER, DRIVEN LOG LEVELLING - FOR LOG SIDE SUPPORTS	545662	1
1	BRACKET WELDMENT, POWER ROLLER	510605-1	1
2	BRACKET, SIDE W/HYDRO MOTOR CONNECTOR	096029-1	1
3	BEARING, 6009.2RSR (FAG) ROLLING	096025	2
4	PLATE, HYDRAULIC MOTOR MOUNT	096030-1	1
5	RING, W 75 INSIDE RETAINING	F81090-41	2
6	WASHER, Z 10.2 SPLIT LOCK ZINC	F81055-2	8
7	BOLT, 3/8-16X1 HH	F05007-7	4
8	WASHER, 10.5 FLAT ZINC	F81055-1	4
9	NUT, M10-8-B HEX NYLON ZINC LOCK	F81033-1	4
10	BOLT, M10X50-8.8 HEX HEAD FULL THREAD ZINC	F81003-4	4
11	MOTOR, MG06-13-13AAAB HYDRAULIC	P21506	1
12	ROLLER WELDMENT, DRIVEN LOG LEVELLING	096028-1	1
-	CYLINDER, HYDRAULIC TOE BOARDS	085937	2
13	CYLINDER, CJ-S170-16-40/25/152 HYDRAULIC	088681	1
14	FITTING, 1/4NPTX1/4JIC MALE ELBOW	P09142	1
15	FITTING, 1/4NPTX1/4JIC MALE	P09143	1
16	BRACKET, SIDE	096031-1	1
17	WASHER, 28	F81061-1	2
18	PIN, HYDRAULIC CYLINDER ZINC-PLATED	086979-1	2
19	RING, Z 45 OUTSIDE RETAINING	F81090-32	2
20	ROD, CONNECTION	520349	1
21	KEY, A8X7X28 PARALLEL	096035	2
22	WASHER, 10.5 SPECIAL FLAT ZINC	F81055-6	3
23	BOLT, M10X25 8.8 HEX HEAD FULL THREAD	F81003-31	2
24	COVER, HYDRAULIC MOTOR	096037-1	1
25	PIN, S-ZN-6.3X45 COTTER	F81045-2	4



HYDRAULIC SYSTEM

Log Levelling Driven Roller. 2 Cylinders.

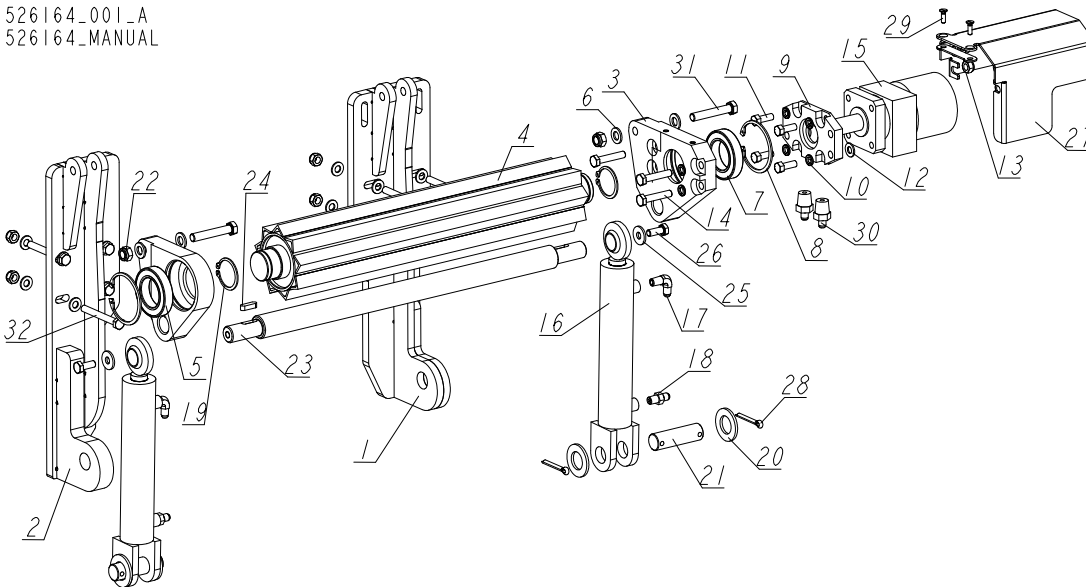
REF.	DESCRIPTION (◆ indicates parts available in assemblies only)	PART #	QTY	
26	SCREW, M6X20-5.8-B SLOTTED COUNTERSUNK HEAD	F81001-31	2	
27	FITTING, 1/2-14NPT/ 7/16-20UNF STRAIGHT	096919	2	
28	WASHER, 13 FLAT ZINC	F81056-1	20	
29	BRACKET WELDMENT, CYLINDER MOUNT	526162-1 ¹	1	
	BRACKET WELDMENT, CYLINDER MOUNT	550410-1 ²	1	
30	NUT, M12 8 HEX NYLON ZINC LOCK	F81034-2	10	
31	BOLT, M12X75-8.8-HEX HEAD FULL THREAD ZINC	F81004-10	2	
32	BOLT, M12X90 8.8 HEX HEAD ZINC	F81004-2	8	
32	BRACKET WELDMENT, CYLINDER MOUNT	526162-1	1	

¹ Included in 526160

² Included in 545662

9.37 Driven Log Levelling Roller, Left w/2 Cylinders

526164_001_A
526164_MANUAL



REF.	DESCRIPTION (◆ indicates parts available in assemblies only)	PART #	QTY
-	ROLLER, DRIVEN LOG LEVELLING - LEFT W/2 CYLINDERS	526164	1
1	BRACKET WELDMENT, HYDRAULIC CYLINDER MOUNT (LEFT)	527018-1	1
2	BRACKET WELDMENT, HYDRAULIC CYLINDER MOUNT	526150-1	1
3	BRACKET, SIDE W/HYDRO MOTOR CONNECTOR	507684-1	1
4	ROLLER WELDMENT, DRIVEN LOG LEVELLING	096028-1	1
5	BRACKET, SIDE	507687-1	1
6	WASHER, 13 FLAT ZINC	F81056-1	4
7	BEARING, 6009.2RSR (FAG) ROLLING	096025	2
8	RING, W 75 INSIDE RETAINING	F81090-41	2
9	PLATE, HYDRAULIC MOTOR MOUNT	096030-1	1
10	WASHER, Z 10.2 SPLIT LOCK ZINC	F81055-2	8
11	BOLT, 3/8-16X1 HH	F05007-7	4
12	WASHER, 10.5 FLAT ZINC	F81055-1	20
13	NUT, M10-8-B HEX NYLON ZINC LOCK	F81033-1	4
14	BOLT, M10x50-8.8 HEX HEAD FULL THREAD ZINC	F81003-4	4
15	MOTOR, MG06-13-13AAAB HYDRAULIC	P21506	1
-	CYLINDER, HYDRAULIC TOE BOARD	085937	2
16	CYLINDER, CJ-S170-16-40/25/152 HYDRAULIC	088681	1
17	FITTING, 1/4NPTX1/4JIC MALE ELBOW	P09142	1
18	FITTING, 1/4NPTX1/4JIC MALE	P09143	1
19	RING, Z 45 OUTSIDE RETAINING	F81090-32	2
20	WASHER, 28 FLAT ZINC	F81061-1	4
21	PIN, 25.4x84	086979	2
22	NUT, M12 8 HEX NYLON ZINC LOCK	F81034-2	10
23	ROD, CONNECTION	520349	1
24	KEY, A8x7x28 PARALLEL	096035	2
25	WASHER, 10.5 SPECIAL FLAT ZINC	F81055-6	2
26	BOLT, M10X25 8.8 HEX HEAD FULL THREAD	F81003-31	2



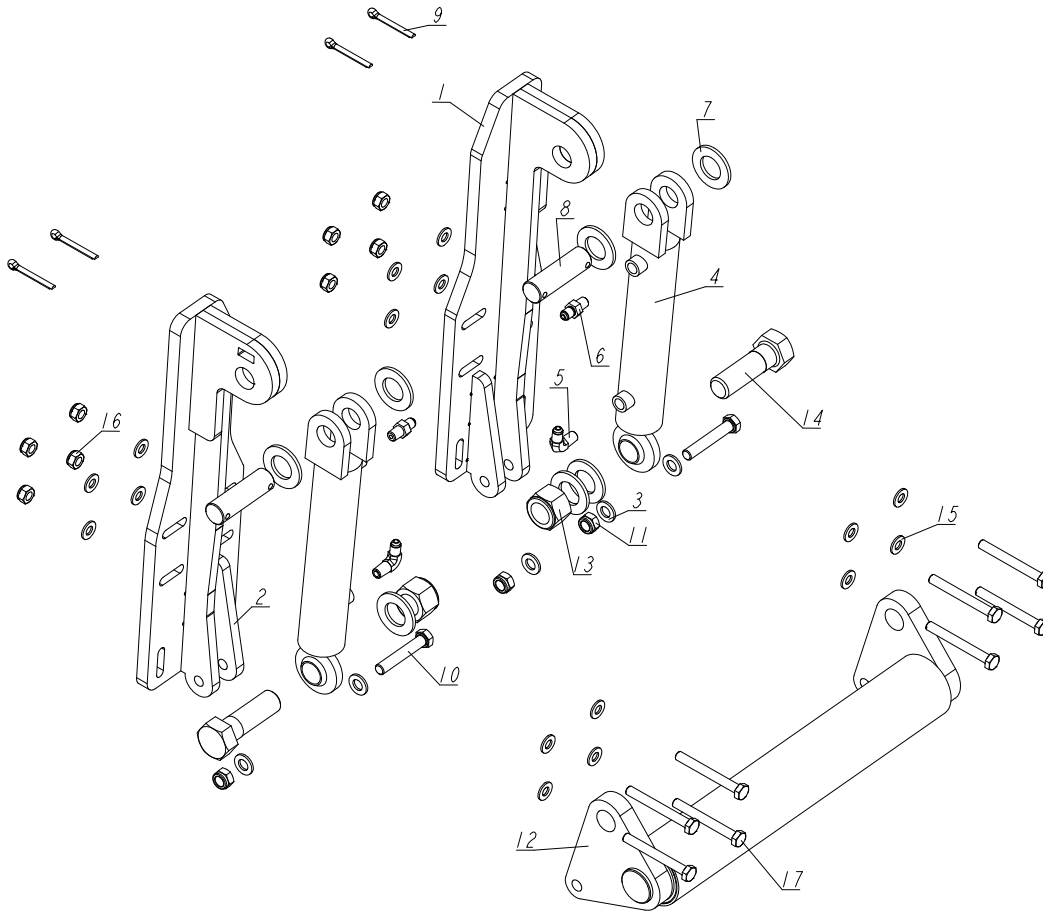
HYDRAULIC SYSTEM

Driven Log Levelling Roller, Left w/2 Cylinders

REF.	DESCRIPTION (◆ indicates parts available in assemblies only)	PART #	QTY	
27	GUARD, HYDRAULIC MOTOR	507690-1	1	
28	PIN, S-Zn-6.3x45 COTTER	F81045-2	2	
29	SCREW, M6X20-5.8-B SLOTTED COUNTERSUNK HEAD ZINC	F81001-31	2	
30	FITTING, 1/2-14NPT/ 7/16-20UNF STRAIGHT W/MALE THREAD	096919	2	
31	BOLT, M12X70-8.8-HEX HEAD ZINC	F81004-39	2	
32	BOLT, M12X90 8.8 HEX HEAD ZINC	F81004-2	8	

9.38 Toe Board Roller. 544228

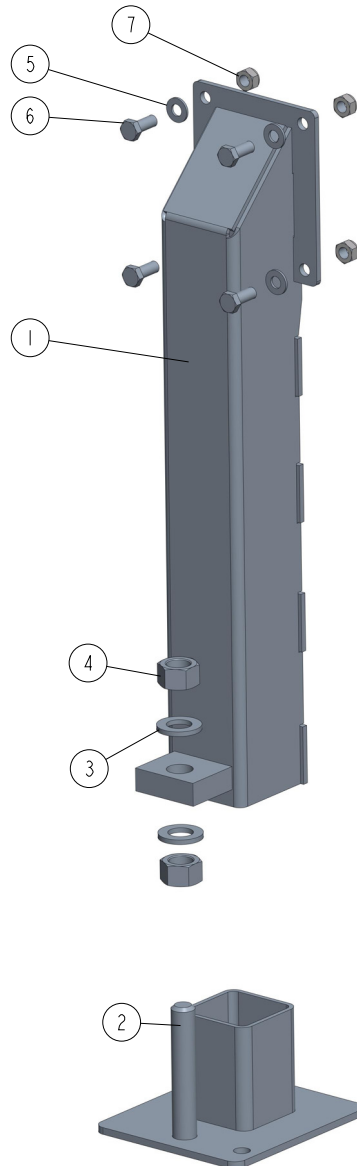
544228_001
544228_MANUAL



REF	DESCRIPTION (◆ indicates parts available in assemblies only)	PART #	QTY
-	ROLLER, TOE BOARD	544228	1
1	BRACKET WELDMENT, DRIVEN LOG LEVELLING R	510605-1	1
2	BRACKET, ROLLER RIGHT	527018-1	1
3	WASHER, 13 FLAT ZINC	F81056-1	5
-	CYLINDER, HYDRAULIC W/FITTINGS	085937	2
4	CYLINDER, CJ-S170-16-40/25/152 HYDRAULIC	088681	1
5	FITTING, 1/4NPTX1/4JIC MALE ELBOW	P09142	1
6	FITTING, 1/4NPTX1/4JIC MALE	P09143	1
7	WASHER, 28 FLAT ZINC	F81061-1	7
8	PIN, HYDRAULIC CYLINDER ZINC-PLATED	086979-1	2
9	PIN, S-ZN-6.3X45 COTTER	F81045-2	4
10	BOLT, M12X70-8.8 HEX HEAD ZINC	F81004-39	2
11	NUT, M12 8 HEX NYLON ZINC LOCK	F81034-2	3
12	ROLLER WELDMENT, HYDRAULIC TOE BOARD	544229-1	1
13	NUT, 1-8 SELF LOCK	F05010-109	2
14	BOLT, 1-8X3 1/4 HEX HEAD GRADE 5	F05009-51	2
15	WASHER, 10.5 FLAT ZINC	F81055-1	16
16	NUT, M10-8-B HEX NYLON ZINC LOCK	F81033-1	8
17	BOLT, M10X85-8.8 HEX HEAD ZINC	F81003-125	8

9.39 Stationary Leg (Part No. 501639)

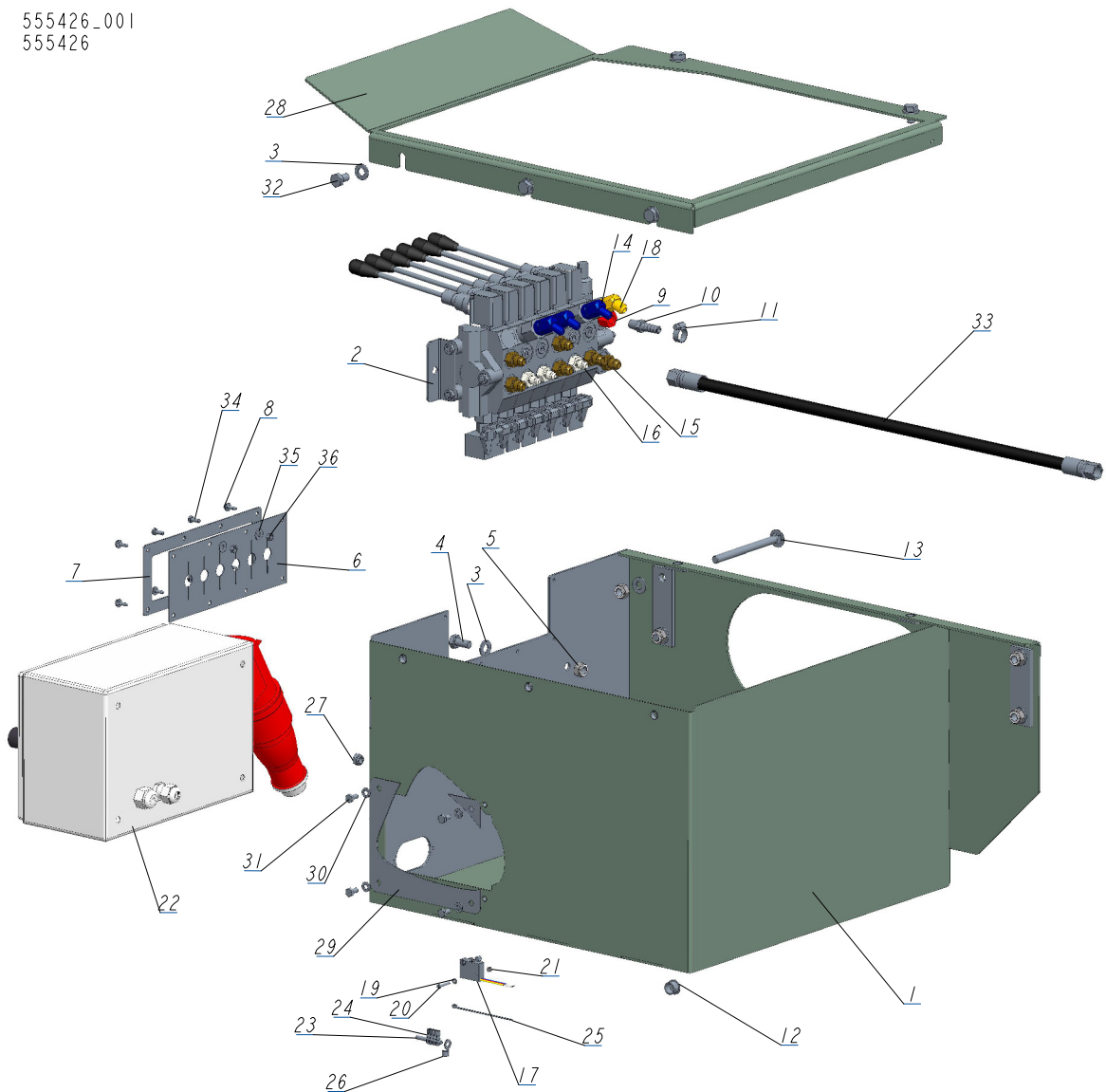
501639_001
501639_MANUAL



REF.	DESCRIPTION (* indicates parts available in assemblies only)	PART NO.	QTY	
-	LEG, LEFT STATIONARY ADJUSTABLE	501639	1	
1	TUBE WELDMENT, ADJUSTABLE LEG	507715-1	1	
2	FOOT	586948-1	1	
3	WASHER, 21 FLAT ZINC	F81059-2	2	
4	NUT, M20-8 HEX ZINC	F81037-1	2	
5	WASHER, 10.5 FLAT ZINC	F81055-1	4	
6	BOLT, M10X25 8.8 HEX HEAD FULL THREAD ZINC	F81003-11	4	
7	NUT, M10-8-B HEX NYLON ZINC LOCK	F81033-1	4	

9.40 Front Box. 555426

555426_001
555426

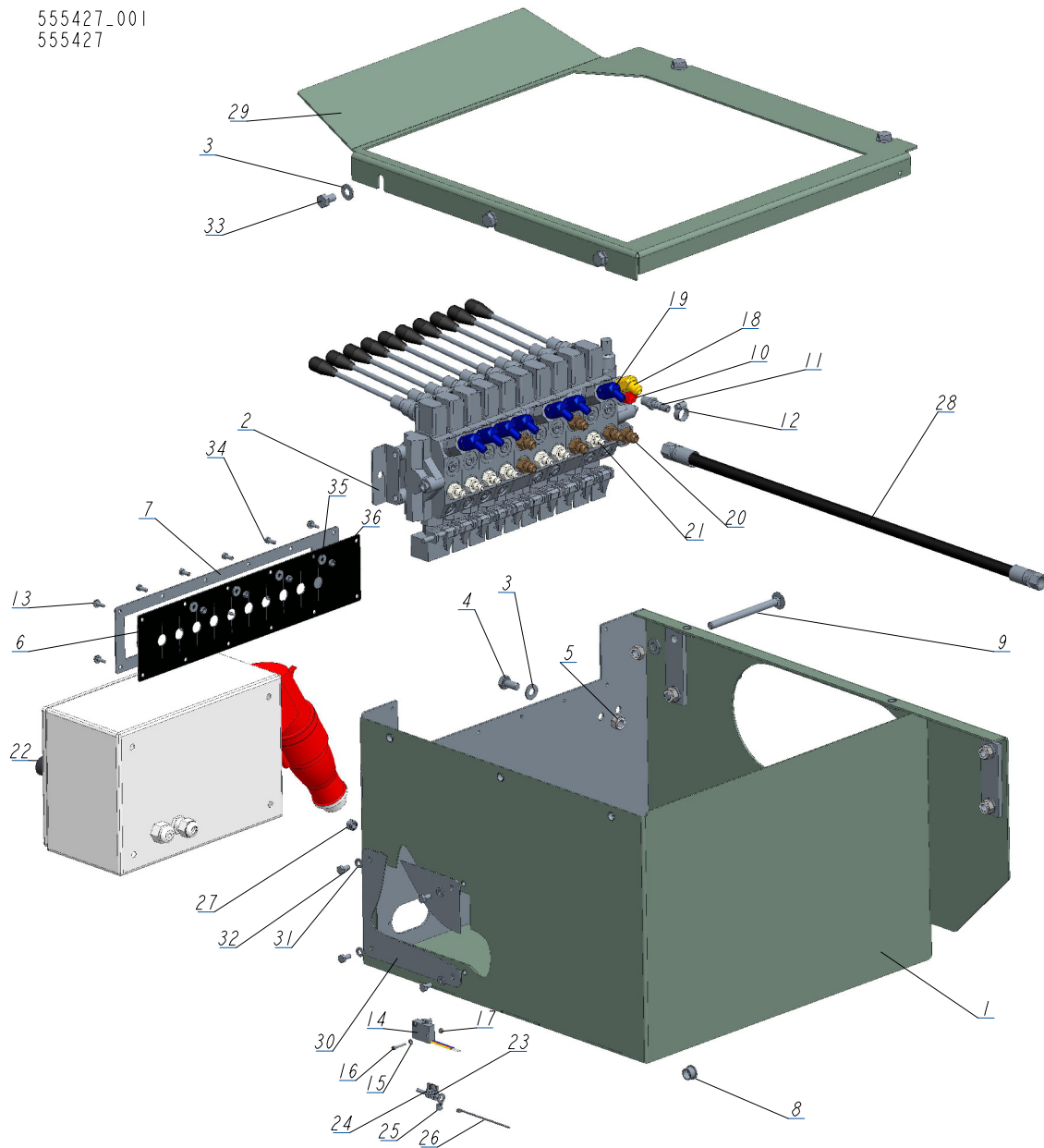


REF	DESCRIPTION (◆ indicates parts available in assemblies only)	PART #	QTY	
-	BOX, FRONT 6 SEC. AH3/LT40/70	555426	1	
1	BOX, FRONT	555463-1	1	
2	VALVE, 6 SECTION HDS10/6-6	015260_	1	
3	WASHER, 10.5 FLAT ZINC	F81055-1	11	
4	BOLT, ISO 4017-M10X20-8.8-A2E HEX HEAD	F81003-53	2	
5	NUT, M10-8-B HEX NYLON ZINC LOCK	F81033-1	6	
6	GUARD, RUBBER VALVE DOUBLE	015079	1	
7	COVER, VALVE GUARD PTD	086519-1	1	
8	BOLT, #10-24X1/2 SELF-TAPPING	F05015-7	6	
9	FITTING, 6SAE MALE-1/4NPT FEMALE	014686	1	
10	FITTING, 1/4NPT-3/8 BARB	014685	1	
11	CLAMP, 11/16 WORM	061807	1	
12	GROMMET, 15,9 UB625 RUBBER	086816	1	

REF	DESCRIPTION (◆ indicates parts available in assemblies only)	PART #	QTY	
13	BOLT, M10X125 8.8 CARRIAGE ZINC	F81003-34	2	
14	FITTING, #4 SAE - #6 SAE 45° ELBOW	015488	3	
15	FITTING, 3/8" O-RING X 3/8" JIC	014687	6	
16	FITTING, 1/4JIC-3/8 O-RING	P26284	3	
17	MICROSWITCH, HYDRAULIC VALVE	014765	1	
18	FITTING, #6SAE 45 DEG ELBOW	015489	1	
19	WASHER, 3.2 FLAT ZINC	F81050-2	2	
20	SCREW, M3X20-5.8-A-PAN HEAD ZINC	F81000-8	2	
21	NUT, M3-6-HEX NYLON ZINC LOCK	F81028-2	2	
22	BOX, LT40/70 ELECTRICAL	566251	1	
	DOOR, 566251 200x300x150 ELECTRIC BOX	084686	1	
23	CABLE, OLFLEX CLASIC 400P 4G2,5	R80585-6	1	
24	TERMINAL, KO 2.5/5 RING	F81064-1	4	
25	TIE WRAP, TK 9/3	F81082-4	1	
26	TERMINAL, KO1/8 RING	F05092-7	1	
27	NUT, M8-8-B HEX NYLON ZINC LOCK	F81032-2	4	
28	COVER TOP, BOX FRONT	555440-1	1	
29	CAP	555383-1	1	
30	WASHER, 6.4 FLAT ZINC	F81053-1	4	
31	BOLT, M6X12-8.8 HEX HEAD FULL THREAD ZIN	F81001-7	4	
32	BOLT, M10X16-8.8 HEX HEAD FULL THREAD ZI	F81003-13	5	
33	PHD 2T3/8X6.80 W9/16UNF-W9/16UNF	555366	1	
34	BOLT, M5X12 8.8 HEX HEAD FULL THREAD ZIN	F81000-5	2	
35	WASHER, 5.5 SPECIAL FLAT ZINC	F81052-3	2	
36	NUT, M5 8 HEX ZINC	F81030-1	2	

9.41 Front Box. 555427

555427-001
555427

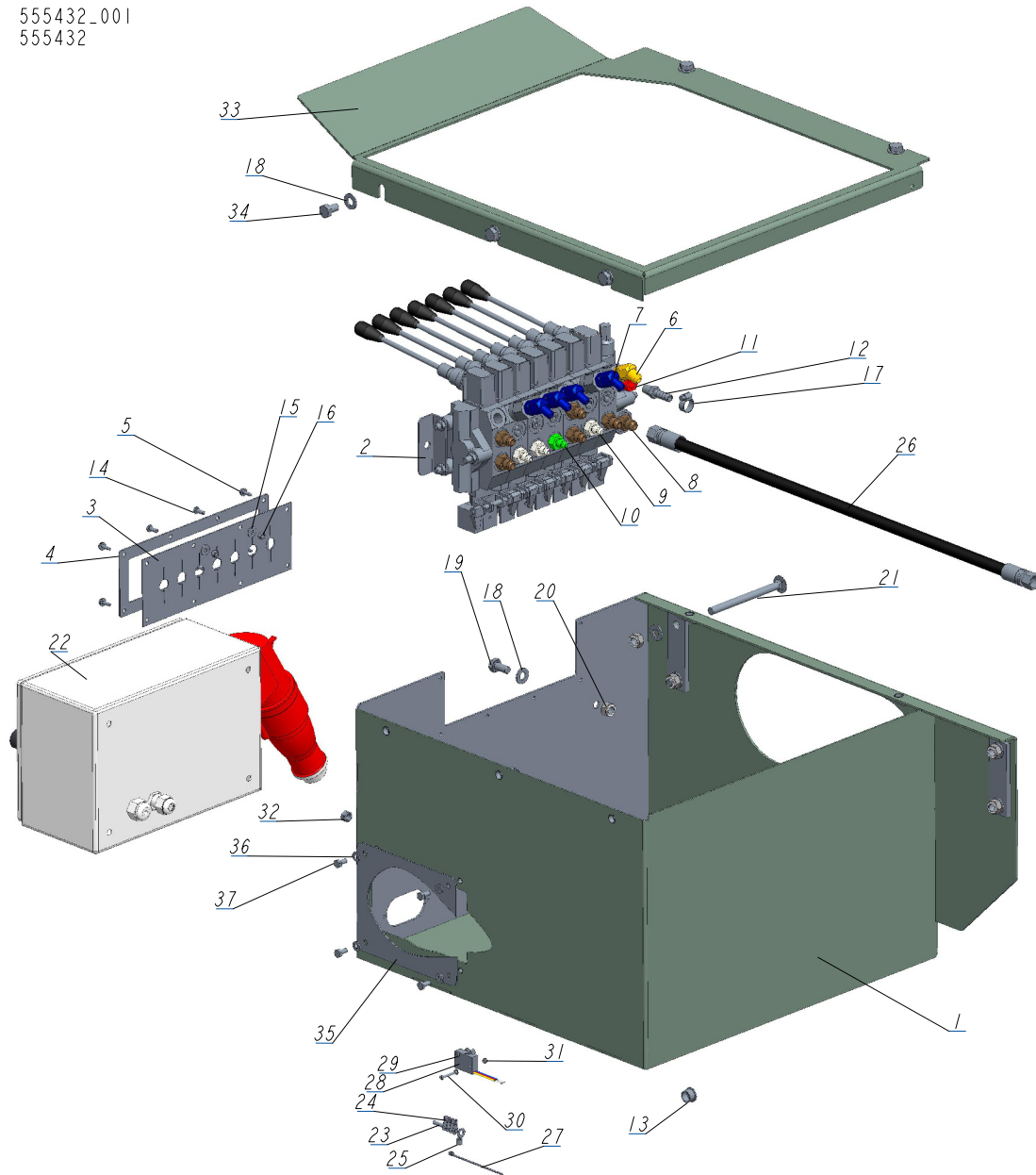


REF	DESCRIPTION (◆ indicates parts available in assemblies only)	PART #	QTY
-	BOX FRONT 10 SEC. AH5/AH7/LT40/70	555427	1
1	BOX, FRONT	555443-1	1
2	VALVE, HDS11/10- 8-SECTION HYDRAULIC	091344	1
3	WASHER, 10.5 FLAT ZINC	F81055-1	11
4	BOLT, ISO 4017-M10X20-8.8-A2E HEX HEAD	F81003-53	2
5	NUT, M10-8-B HEX NYLON ZINC LOCK	F81033-1	6
6	GUARD, RUBBER HYDRAULIC VALVE 10-SECTION	091739	1
7	PLATE, 10-SECTION VALVE PAINTED	091826-1	1
8	GROMMET, 15,9 UB625 RUBBER	086816	1
9	BOLT, M10X125 8.8 CARRIAGE ZINC	F81003-34	2
10	FITTING, 6SAE MALE-1/4NPT FEMALE	014686	1
11	FITTING, 1/4NPT-3/8 BARB	014685	1

REF	DESCRIPTION (◆ indicates parts available in assemblies only)	PART #	QTY	
12	CLAMP, 11/16 WORM	061807	1	
13	BOLT, #10-24X1/2 SELF-TAPPING	F05015-7	8	
14	MICROSWITCH, HYDRAULIC VALVE	014765	1	
15	WASHER, 3.2 FLAT ZINC	F81050-2	2	
16	SCREW, M3X20-5.8-A-PAN HEAD ZINC	F81000-8	2	
17	NUT, M3-6-HEX NYLON ZINC LOCK	F81028-2	2	
18	FITTING, #6SAE 45 DEG ELBOW	015489	1	
19	FITTING, #4 SAE - #6 SAE 45° ELBOW	015488	7	
20	FITTING, 3/8" O-RING X 3/8" JIC	014687	6	
21	FITTING, 1/4JIC-3/8 O-RING	P26284	7	
22	BOX, LT40/70 ELECTRICAL	566251	1	
	DOOR, 566251 200x300x150 ELECTRIC BOX	084686	1	
23	CABLE, OLFLEX CLASIC 400P 4G2,5	R80585-6	1	
24	TERMINAL, KO 2.5/5 RING	F81064-1	4	
25	TERMINAL, KO1/8 RING	F05092-7	1	
26	TIE WRAP, TK 9/3	F81082-4	1	
27	NUT, M8-8-B HEX NYLON ZINC LOCK	F81032-2	4	
28	PHD 2T3/8X6.80 W9/16UNF-W9/16UNF	555366	1	
29	COVER TOP, BOX FRONT	555440-1	1	
30	CAP	555383-1	1	
31	WASHER, 6.4 FLAT ZINC	F81053-1	4	
32	BOLT, M6X12-8.8 HEX HEAD FULL THREAD ZIN	F81001-7	4	
33	BOLT, M10X16-8.8 HEX HEAD FULL THREAD ZI	F81003-13	5	
34	BOLT, M5X12 8.8 HEX HEAD FULL THREAD ZIN	F81000-5	4	
35	WASHER, 5.5 SPECIAL FLAT ZINC	F81052-3	4	
36	NUT, M5 8 HEX ZINC	F81030-1	4	

9.42 Front Box. 555432

555432_001
555432

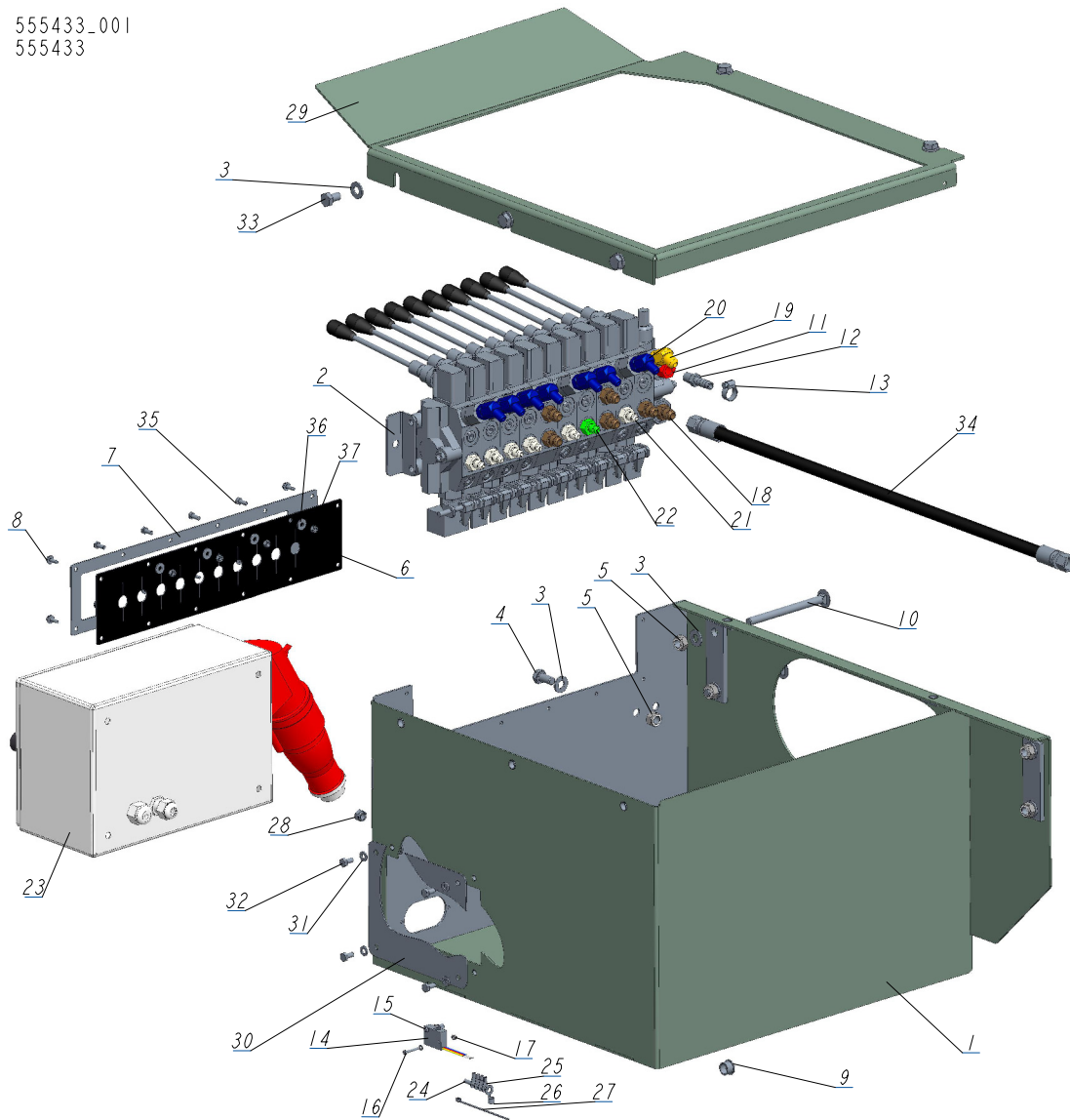


REF	DESCRIPTION (◆ indicates parts available in assemblies only)	PART #	QTY
-	BOX, FRONT. 7 SEC. AHP3/LT40/70	555432	1
1	BOX, FRONT	555464-1	1
2	VALVE, 7-SECTION DC HYDRAULIC	545657	1
3	COVER, RUBBER (7 SECTIONS)	510566	1
4	PLATE, RUBBER COVER MOUNT	510567-1	1
5	BOLT, #10-24X1/2 SELF-TAPPING	F05015-7	6
6	FITTING, #6SAE 45 DEG ELBOW	015489	1
7	FITTING, #4 SAE - #6 SAE 45° ELBOW	015488	4
8	FITTING, 3/8" O-RING X 3/8" JIC	014687	6
9	FITTING, 1/4JIC-3/8 O-RING	P26284	3
10	ZN-140 UNF9/16-18/7/16-20	555134	1
11	FITTING, 6SAE MALE-1/4NPT FEMALE	014686	1

REF	DESCRIPTION (◆ indicates parts available in assemblies only)	PART #	QTY	
12	FITTING, 1/4NPT-3/8 BARB	014685	1	
13	GROMMET, 15,9 UB625 RUBBER	086816	1	
14	BOLT, M5X12 8.8 HEX HEAD FULL THREAD ZIN	F81000-5	2	
15	WASHER, 5.5 SPECIAL FLAT ZINC	F81052-3	2	
16	NUT, M5 8 HEX ZINC	F81030-1	2	
17	CLAMP, 11/16 WORM	061807	1	
18	WASHER, 10.5 FLAT ZINC	F81055-1	11	
19	BOLT, ISO 4017-M10X20-8.8-A2E HEX HEAD	F81003-53	2	
20	NUT, M10-8-B HEX NYLON ZINC LOCK	F81033-1	6	
21	BOLT, M10X125 CARRIAGE	F81003-34	2	
22	BOX, LT40/70 ELECTRICAL	566251	1	
	DOOR, 566251 200x300x150 ELECTRIC BOX	084686	1	
23	CABLE, OLFLEX CLASIC 400P 4G2,5	R80585-6	1	
24	TERMINAL, KO 2.5/5 RING	F81064-1	4	
25	TERMINAL, KO1/8 RING	F05092-7	1	
26	PHD 2T3/8X6.80 W9/16UNF-W9/16UNF	555366	1	
27	TIE WRAP, TK 9/3	F81082-4	1	
28	MICROSWITCH, HYDRAULIC VALVE	014765	1	
29	WASHER, 3.2-LAT ZINC	F81050-2	2	
30	SCREW, M3X20-5.8-A-PAN HEAD ZINC	F81000-8	2	
31	NUT, M3-6-HEX NYLON ZINC LOCK	F81028-2	2	
32	NUT, M8-8-B HEX NYLON ZINC LOCK	F81032-2	4	
33	COVER TOP, BOX FRONT	555440-1	1	
34	BOLT, M10X16-8.8 HEX HEAD FULL THREAD ZI	F81003-13	5	
35	CAP	555383-1	1	
36	WASHER, 6.4 FLAT ZINC	F81053-1	4	
37	BOLT, M6X12-8.8 HEX HEAD FULL THREAD ZIN	F81001-7	4	

9.43 Front Box. 555433

555433_001
555433

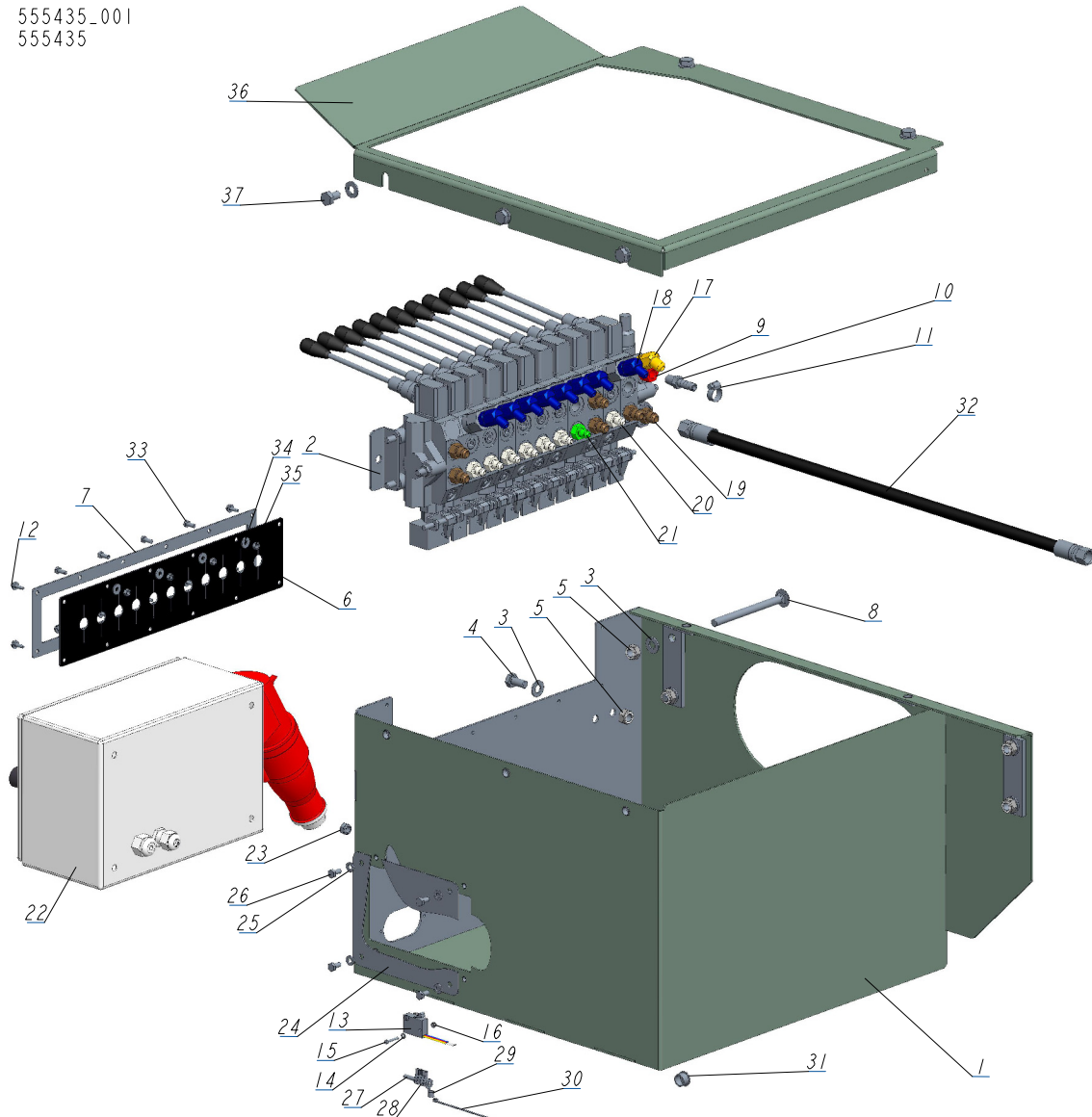


REF	DESCRIPTION (◆ indicates parts available in assemblies only)	PART #	QTY
-	BOX, FRONT 10 SEC. AHP5/LT40/70	555433	1
1	BOX, FRONT	555443-1	1
2	VALVE, HDS11/10- 8-SECTION HYDRAULIC	091344	1
3	WASHER, 10.5 FLAT ZINC	F81055-1	11
4	BOLT, ISO 4017-M10X20-8.8-A2E HEX HEAD	F81003-53	2
5	NUT, M10-8-B HEX NYLON ZINC LOCK	F81033-1	6
6	GUARD, RUBBER HYDRAULIC VALVE 10-SECTION	091739	1
7	PLATE, 10-SECTION VALVE PAINTED	091826-1	1
8	BOLT, #10-24X1/2 SELF-TAPPING	F05015-7	8
9	GROMMET, 15,9 UB625 RUBBER	086816	1
10	BOLT, M10X125 8.8 CARRIAGE ZINC	F81003-34	2
11	FITTING, 6SAE MALE-1/4NPT FEMALE	014686	1
12	FITTING, 1/4NPT-3/8 BARB	014685	1
13	CLAMP, 11/16 WORM	061807	1

REF	DESCRIPTION (◆ indicates parts available in assemblies only)	PART #	QTY	
14	MICROSWITCH, HYDRAULIC VALVE	014765	1	
15	WASHER, 3.2 FLAT ZINC	F81050-2	2	
16	SCREW, M3X20-5.8-A-PAN HEAD ZINC	F81000-8	2	
17	NUT, M3-6-HEX NYLON ZINC LOCK	F81028-2	2	
18	FITTING, 3/8" O-RING X 3/8" JIC	014687	6	
19	FITTING, #6SAE 45 DEG ELBOW	015489	1	
20	FITTING, #4 SAE - #6 SAE 45° ELBOW	015488	7	
21	FITTING, 1/4JIC-3/8 O-RING	P26284	6	
22	ZN-140 UNF9/16-18/7/16-20	555134	1	
23	BOX, LT40/70 ELECTRICAL	566251	1	
	DOOR, 566251 200x300x150 ELECTRIC BOX	084686	1	
24	CABLE, OLFLEX CLASIC 400P 4G2,5	R80585-6	1	
25	TERMINAL, KO 2.5/5 RING	F81064-1	4	
26	TERMINAL, KO1/8 RING	F05092-7	1	
27	TIE WRAP, TK 9/3	F81082-4	1	
28	NUT, M8-8-B HEX NYLON ZINC LOCK	F81032-2	4	
29	COVER TOP, BOX FRONT	555440-1	1	
30	CAP	555383-1	1	
31	WASHER, 6.4 FLAT ZINC	F81053-1	4	
32	BOLT, M6X12-8.8 HEX HEAD FULL THREAD ZIN	F81001-7	4	
33	BOLT, M10X16-8.8 HEX HEAD FULL THREAD ZI	F81003-13	5	
34	PHD 2T3/8X6.80 W9/16UNF-W9/16UNF	555366	1	
35	BOLT, M5X12 8.8 HEX HEAD FULL THREAD ZIN	F81000-5	4	
36	WASHER, 5.5 SPECIAL FLAT ZINC	F81052-3	4	
37	NUT, M5 8 HEX ZINC	F81030-1	4	

9.44 Front Box. 555435

555435_001
555435

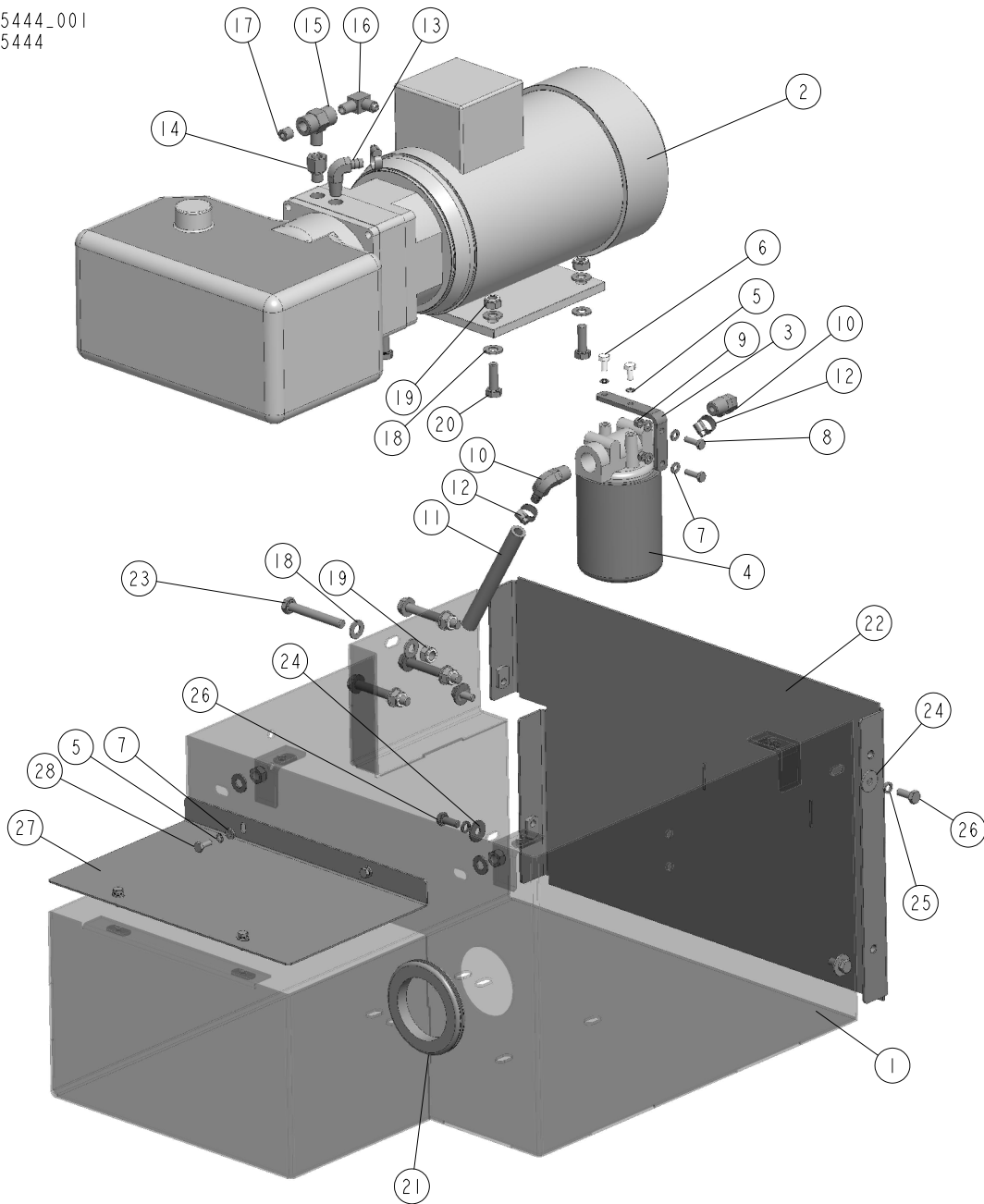


REF	DESCRIPTION (◆ indicates parts available in assemblies only)	PART #	QTY
-	BOX, FRONT 11SEC. AHP7/LT40/70 COMPLETE	555435	1
1	BOX, FRONT	555443-1	1
2	VALVE 11 SEC. HDS11/10	510568_	1
3	WASHER, 10.5 FLAT ZINC	F81055-1	11
4	BOLT, ISO 4017-M10X20-8.8-A2E HEX HEAD	F81003-53	2
5	NUT, M10-8-B HEX NYLON ZINC LOCK	F81033-1	6
6	COVER, 11-SECTION VALVE RUBBER	518926	1
7	COVER, 11-SECTION VALVE GUARD	510571-1	1
8	BOLT, M10X125 8.8 CARRIAGE ZINC	F81003-34	2
9	FITTING, 6SAE MALE-1/4NPT FEMALE	014686	1
10	FITTING, 1/4NPT-3/8 BARB	014685	1
11	CLAMP, 11/16 WORM	061807	1
12	BOLT, #10-24X1/2 SELF-TAPPING	F05015-7	8

REF	DESCRIPTION (◆ indicates parts available in assemblies only)	PART #	QTY	
13	MICROSWITCH, HYDRAULIC VALVE	014765	1	
14	WASHER, 3.2 FLAT ZINC	F81050-2	2	
15	SCREW, M3X20-5.8-A-PAN HEAD ZINC	F81000-8	2	
16	NUT, M3-6-HEX NYLON ZINC LOCK	F81028-2	2	
17	FITTING, #6SAE 45 DEG ELBOW	015489	1	
18	FITTING, #4 SAE - #6 SAE 45° ELBOW	015488	8	
19	FITTING, 3/8" O-RING X 3/8" JIC	014687	6	
20	FITTING, 1/4JIC-3/8 O-RING	P26284	7	
21	ZN-140 UNF9/16-18/7/16-20	555134	1	
22	BOX, LT40/70 ELECTRICAL	566251	1	
	DOOR, 566251 200x300x150 ELECTRIC BOX	084686	1	
23	NUT, M8-8-B HEX NYLON ZINC LOCK	F81032-2	4	
24	CAP	555383-1	1	
25	WASHER, 6.4 FLAT ZINC	F81053-1	4	
26	BOLT, M6X12-8.8 HEX HEAD FULL THREAD ZIN	F81001-7	4	
27	CABLE, OLFLEX CLASIC 400P 4G2,5	R80585-6	1	
28	TERMINAL, KO 2.5/5 RING	F81064-1	4	
29	TERMINAL, KO1/8 RING	F05092-7	1	
30	TIE WRAP, TK 9/3	F81082-4	1	
31	GROMMET, 15,9 UB625 RUBBER	086816	1	
32	PHD 2T3/8X6.80 W9/16UNF-W9/16UNF	555366	1	
33	BOLT, M5X12 8.8 HEX HEAD FULL THREAD ZIN	F81000-5	4	
34	WASHER, 5.5 SPECIAL FLAT ZINC	F81052-3	4	
35	NUT, M5 8 HEX ZINC	F81030-1	4	
36	COVER TOP, BOX FRONT	555440-1	1	
37	BOLT, M10X16-8.8 HEX HEAD FULL THREAD ZI	F81003-13	5	

9.45 Rear Box. 555444

555444_001
555444

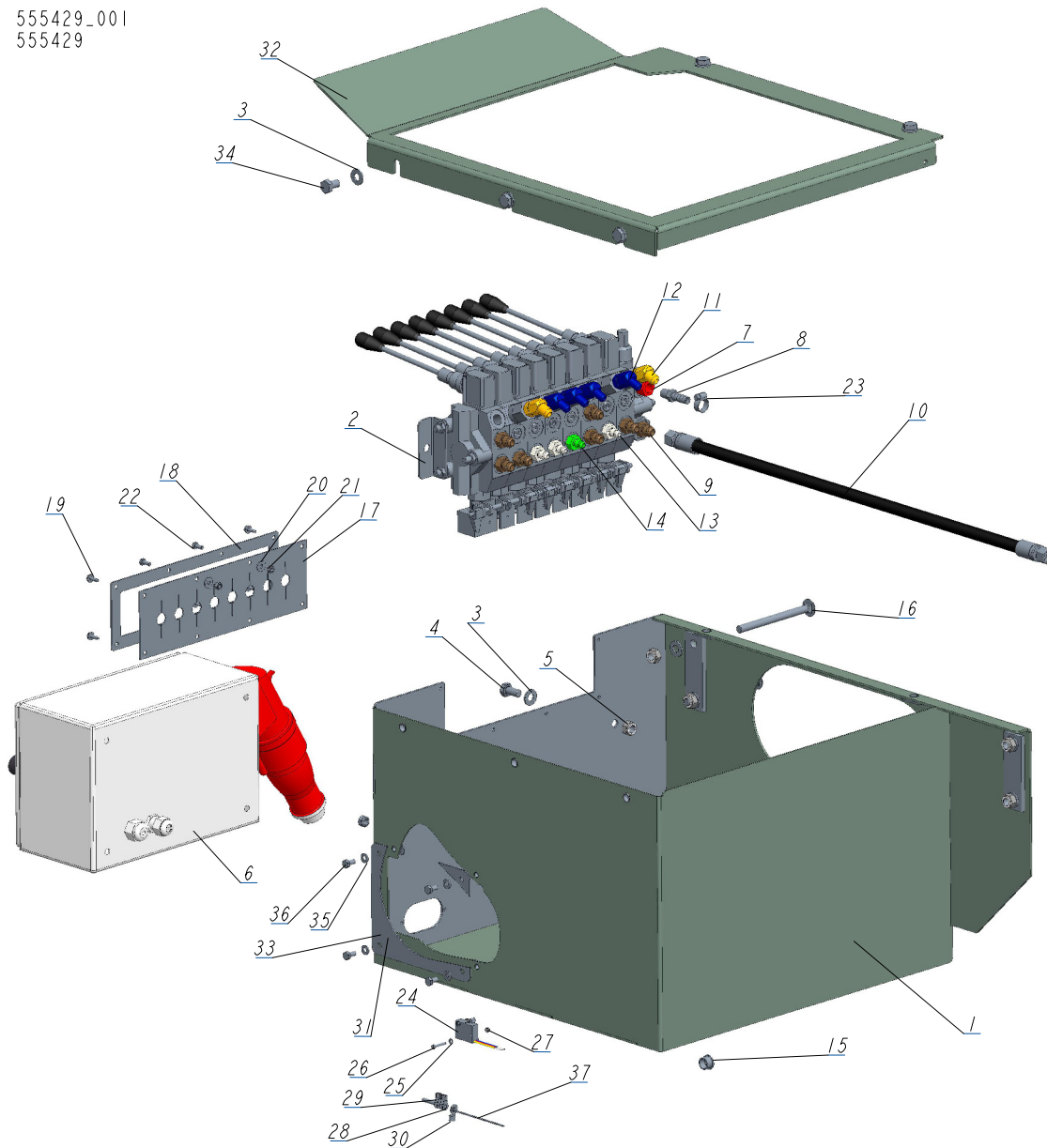


REF	DESCRIPTION (◆ indicates parts available in assemblies only)	PART #	QTY
-	BOX, REAR LT20/40/70/AH/AHP COMPLETE	555444	1
1	BOX, REAR	555446-1	1
2	PUMP, AC-4KW (Q=14,5L/MIN) HYDRAULIC W/M	500958	1
3	BRACKET, OIL FILTER	550029-1	1
4	MANIFOLD, W/FILTER	P22683	1
5	WASHER, Z 6.1 SPLIT LOCK	F81053-3	6
6	BOLT, 1/4-20X1/2 HEX HEAD	F05005-15	2
7	WASHER, 6.4 FLAT ZINC	F81053-1	8
8	BOLT, M6X20 8.8 HEX HEAD FULL THREAD ZIN	F81001-2	2

REF	DESCRIPTION (◆ indicates parts available in assemblies only)	PART #	QTY	
9	NUT, M6-8-B HEX NYLON ZINC LOCK	F81031-2	2	
10	FITTING, 1/2NPT-3/8 BARB ELBOW	P12707	2	
11	HOSE, 3/8" LOW PRESSURE HYDRAULIC	R01892-1	1	
12	CLAMP, 11/16 WORM	061807	3	
13	FITTING, 3/8NPT-3/8 BARB ELBOW	P12708	1	
14	FITTING, 6SAE MALE-1/4NPT FEMALE	014686	1	
15	FITTING, 1/4NPT BRANCH TEE	015486	1	
16	FITTING, 3/8JIC-1/4NPT 90L	015491	1	
17	PLUG, 1/4-18 NPT BLANK	096221	1	
18	WASHER, 10.5 FLAT ZINC	F81055-1	18	
19	NUT, M10-8-B HEX NYLON ZINC LOCK	F81033-1	10	
20	BOLT, DIN933-M10X30-8.8-A2E HEX HEAD	F81003-111	4	
21	COVER, 80 MM RUBBER	089293	1	
22	PLATE, SIDE	555450-1	1	
23	BOLT, M10X75-8.8 HEX HEAD ZINC	F81003-15	4	
24	WASHER, 8.5 SPECIAL FLAT ZINC	F81054-11	4	
25	WASHER 8,2 SPLIT LOCK ZINC	F81054-4	4	
26	BOLT, M8X20 8.8 HEX HEAD FULL THREAD ZIN	F81002-4	4	
27	COVER, REAR	555452-1	1	
28	BOLT M6X16 HH ZC FT 8.8 DIN 933	F81001-15	4	

9.46 Front Box. 555429

555429_001
555429

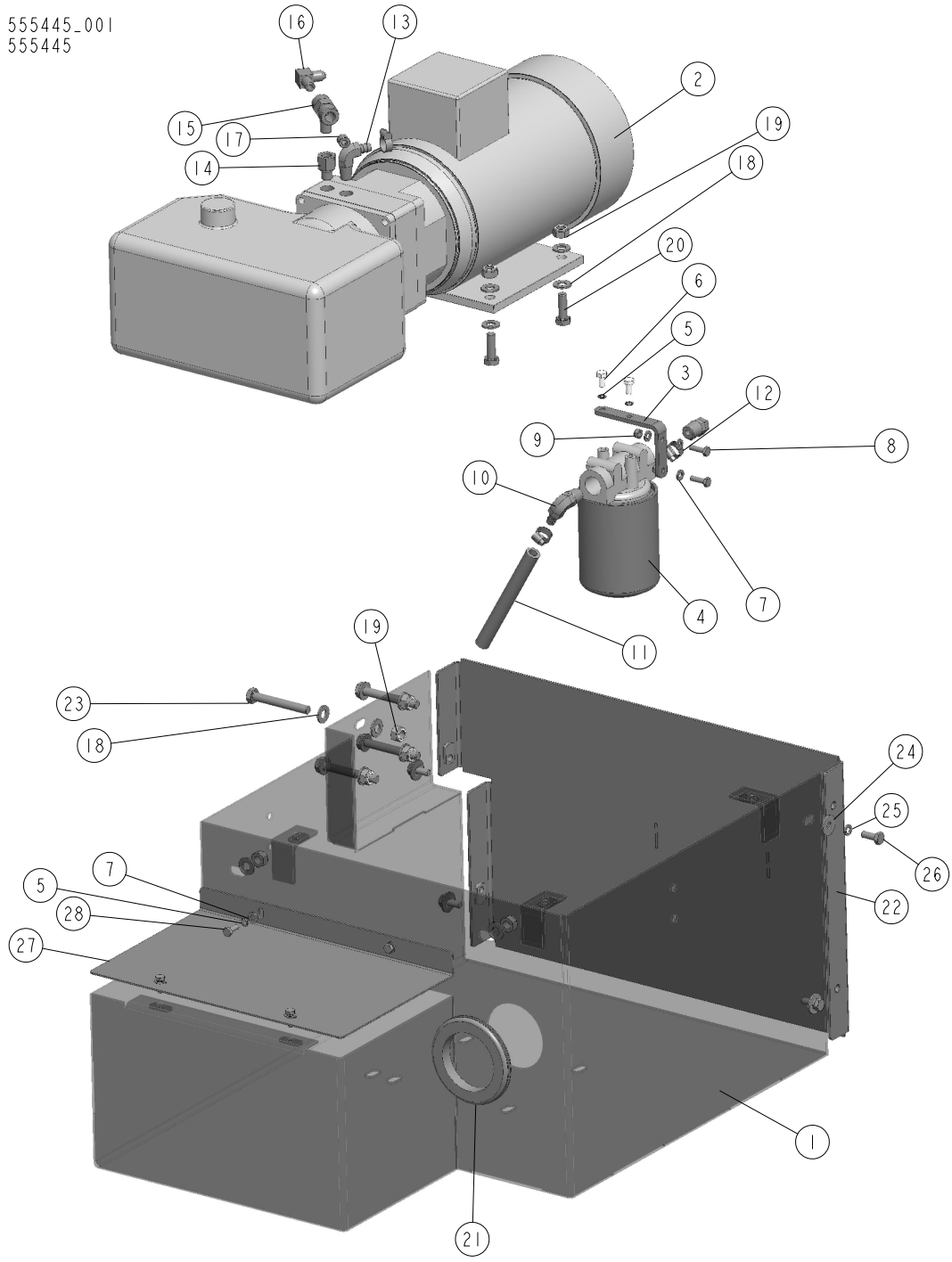


REF	DESCRIPTION (◆ indicates parts available in assemblies only)	PART #	QTY
-	BOX, FRONT AHS3/LT40/70 KPL.	555429	1
1	BOX, FRONT	555436-1	1
2	VALVE, 8 SECTIONS DC HYDRAULIC	545672	1
3	WASHER, 10.5 FLAT ZINC	F81055-1	11
4	BOLT, ISO 4017-M10X20-8.8-A2E HEX HEAD	F81003-53	2
5	NUT, M10-8-B HEX NYLON ZINC LOCK	F81033-1	6
6	BOX, LT40/70 ELECTRICAL	566251	1
	DOOR, 566251 200x300x150 ELECTRIC BOX	084686	1
7	FITTING, 6SAE MALE-1/4NPT FEMALE	014686	1
8	FITTING, 1/4NPT-3/8 BARB	014685	1
9	FITTING, 3/8" O-RING X 3/8" JIC	014687	7
10	PHD 2T3/8X6.80 W9/16UNF-W9/16UNF	555366	1

REF	DESCRIPTION (◆ indicates parts available in assemblies only)	PART #	QTY	
11	FITTING, #6SAE 45 DEG ELBOW	015489	2	
12	FITTING, #4 SAE - #6 SAE 45° ELBOW	015488	4	
13	FITTING, 1/4JIC-3/8 O-RING	P26284	3	
14	ZN-140 UNF9/16-18/7/16-20	555134	1	
15	GROMMET, 15,9 UB625 RUBBER	086816	1	
16	BOLT, M10X125 8.8 CARRIAGE ZINC	F81003-34	2	
17	GUARD, 8-SECTION HYDRAULIC VALVE RUBBER	545673	1	
18	COVER, 8-SECTION VALVE GUARD	545674-1	1	
19	BOLT, #10-24X1/2 SELF-TAPPING	F05015-7	6	
20	WASHER, 5.5 SPECIAL FLAT ZINC	F81052-3	2	
21	NUT, M5 8 HEX ZINC	F81030-1	2	
22	BOLT, M5X12 8.8 HEX HEAD FULL THREAD ZIN	F81000-5	2	
23	CLAMP, 11/16 WORM	061807	1	
24	MICROSWITCH, HYDRAULIC VALVE	014765	1	
25	WASHER, 3.2 FLAT ZINC	F81050-2	2	
26	SCREW, M3X20-5.8-A-PAN HEAD ZINC	F81000-8	2	
27	NUT, M3-6-HEX NYLON ZINC LOCK	F81028-2	2	
28	CABLE, OLFLEX CLASIC 400P 4G2,5	R80585-6	1	
29	TERMINAL, KO 2.5/5 RING	F81064-1	4	
30	TERMINAL, KO1/8 RING	F05092-7	1	
31	NUT, M8-8-B HEX NYLON ZINC LOCK	F81032-2	4	
32	COVER TOP, BOX FRONT	555440-1	1	
33	CAP	555383-1	1	
34	BOLT, M10X16-8.8 HEX HEAD FULL THREAD ZI	F81003-13	5	
35	WASHER, 6.4 FLAT ZINC	F81053-1	4	
36	BOLT, M6X12-8.8 HEX HEAD FULL THREAD ZIN	F81001-7	4	
37	TIE WRAP, TK 9/3	F81082-4	1	

9.47 Rear Box. 555445

555445_001
555445

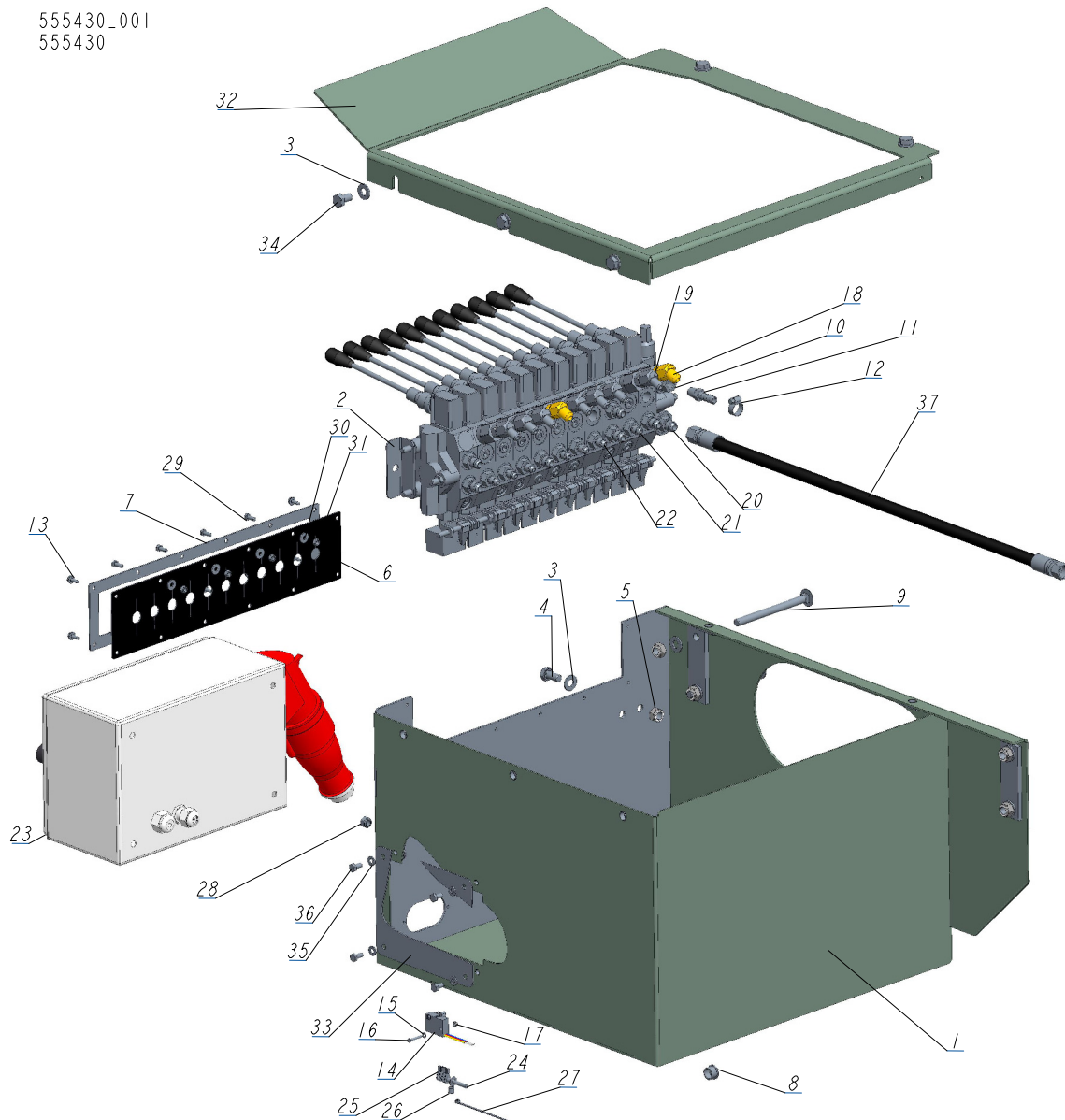


REF	DESCRIPTION (◆ indicates parts available in assemblies only)	PART #	QTY
-	BOX, REAR LT40/70/AHS COMPLETE	555445	1
1	BOX, REAR	555446-1	1
2	PUMP, AC.5,5KW 18.5L/MIN HYDRAULIC W/MOT	517840	1
3	BRACKET, OIL FILTER	550029-1	1
4	MANIFOLD, W/FILTER	P22683	1
5	WASHER, Z 6.1 SPLIT LOCK	F81053-3	6
6	BOLT, 1/4-20X1/2 HEX HEAD	F05005-15	2

REF	DESCRIPTION (◆ indicates parts available in assemblies only)	PART #	QTY	
7	WASHER, 6.4 FLAT ZINC	F81053-1	8	
8	BOLT, M6X20 8.8 HEX HEAD FULL THREAD ZIN	F81001-2	2	
9	NUT, M6-8-B HEX NYLON ZINC LOCK	F81031-2	2	
10	FITTING, 1/2NPT-3/8 BARB ELBOW	P12707	2	
11	HOSE, 3/8" LOW PRESSURE HYDRAULIC	R01892-1	1	
12	CLAMP, 11/16 WORM	061807	3	
13	FITTING, 3/8NPT-3/8 BARB ELBOW	P12708	1	
14	FITTING, 6SAE MALE-1/4NPT FEMALE	014686	1	
15	FITTING, 1/4NPT BRANCH TEE	015486	1	
16	FITTING, 3/8JIC-1/4NPT 90L	015491	1	
17	PLUG, 1/4-18 NPT BLANK	096221	1	
18	WASHER, 10.5 FLAT ZINC	F81055-1	18	
19	NUT, M10-8-B HEX NYLON ZINC LOCK	F81033-1	10	
20	BOLT, DIN933-M10X30-8.8-A2E HEX HEAD	F81003-111	4	
21	COVER, 80 MM RUBBER	089293	1	
22	PLATE, SIDE	555450-1	1	
23	BOLT, M10X75-8.8 HEX HEAD ZINC	F81003-15	4	
24	WASHER, 8.5 SPECIAL FLAT ZINC	F81054-11	4	
25	WASHER 8,2 SPLIT LOCK ZINC	F81054-4	4	
26	BOLT, M8X20 8.8 HEX HEAD FULL THREAD ZIN	F81002-4	4	
27	COVER, REAR	555452-1	1	
28	BOLT M6X16 HH ZC FT 8.8 DIN 933	F81001-15	4	

9.48 Front Box. 555430

555430_001
555430



REF	DESCRIPTION (◆ indicates parts available in assemblies only)	PART #	QTY
-	BOX FRONT 11SEC. AHS5/LT40/70	555430	1
1	BOX, FRONT	555443-1	1
2	VALVE 11 SEC. HDS11/10	510568_	1
3	WASHER, 10.5 FLAT ZINC	F81055-1	11
4	BOLT, ISO 4017-M10X20-8.8-A2E HEX HEAD	F81003-53	2
5	NUT, M10-8-B HEX NYLON ZINC LOCK	F81033-1	6
6	COVER, 11-SECTION VALVE RUBBER	518926	1
7	COVER, 11-SECTION VALVE GUARD	510571-1	1
8	GROMMET, 15,9 UB625 RUBBER	086816	1
9	BOLT, M10X125 8.8 CARRIAGE ZINC	F81003-34	2
10	FITTING, 6SAE MALE-1/4NPT FEMALE	014686	1
11	FITTING, 1/4NPT-3/8 BARB	014685	1

REF	DESCRIPTION (◆ indicates parts available in assemblies only)	PART #	QTY	
12	CLAMP, 11/16 WORM	061807	1	
13	BOLT, #10-24X1/2 SELF-TAPPING	F05015-7	8	
14	MICROSWITCH, HYDRAULIC VALVE	014765	1	
15	WASHER, 3.2 FLAT ZINC	F81050-2	2	
16	SCREW, M3X20-5.8-A-PAN HEAD ZINC	F81000-8	2	
17	NUT, M3-6-HEX NYLON ZINC LOCK	F81028-2	2	
18	FITTING, #6SAE 45 DEG ELBOW	015489	2	
19	FITTING, #4 SAE - #6 SAE 45° ELBOW	015488	7	
20	FITTING, 3/8" O-RING X 3/8" JIC	014687	7	
21	FITTING, 1/4JIC-3/8 O-RING	P26284	6	
22	ZN-140 UNF9/16-18/7/16-20	555134	1	
23	BOX, LT40/70 ELECTRICAL	566251	1	
	DOOR, 566251 200x300x150 ELECTRIC BOX	084686	1	
24	CABLE, OLFLEX CLASIC 400P 4G2,5	R80585-6	1	
25	TERMINAL, KO 2.5/5 RING	F81064-1	4	
26	TERMINAL, KO1/8 RING	F05092-7	1	
27	TIE WRAP, TK 9/3	F81082-4	1	
28	NUT, M8-8-B HEX NYLON ZINC LOCK	F81032-2	4	
29	BOLT, M5X12 8.8 HEX HEAD FULL THREAD ZIN	F81000-5	4	
30	WASHER, 5.5 SPECIAL FLAT ZINC	F81052-3	4	
31	NUT, M5 8 HEX ZINC	F81030-1	4	
32	COVER TOP, BOX FRONT	555440-1	1	
33	CAP	555383-1	1	
34	BOLT, M10X16-8.8 HEX HEAD FULL THREAD ZI	F81003-13	5	
35	WASHER, 6.4 FLAT ZINC	F81053-1	4	
36	BOLT, M6X12-8.8 HEX HEAD FULL THREAD ZIN	F81001-7	4	
37	PHD 2T3/8X6.80 W9/16UNF-W9/16UNF	555366	1	