

Wood-Mizer[®] Sawmill

Parts Manual

LT70S DH
LT70M DH

rev. B2.00
rev. B2.00



Safety is our #1 concern! Read and understand all safety information and instructions before operating, setting up or maintaining this machine.

May 2002

Form #1048

Table of Contents

Section-Page

| | | |
|------------------|--|------------|
| SECTION 1 | GENERAL INFORMATION | 1-1 |
| 1.1 | How To Use The Parts List | 1-1 |
| 1.2 | Sample Assembly | 1-1 |
| SECTION 2 | BLADE GUIDE ROLLERS & ARM | 2-1 |
| 2.1 | Blade Guide Assembly, Idle Side | 2-1 |
| 2.2 | Blade Guide Assembly, Drive Side | 2-3 |
| 2.3 | Blade Guide Arm Drive Assembly..... | 2-5 |
| SECTION 3 | BLADE WHEELS & TENSIONER | 3-1 |
| 3.1 | Blade Drive Assembly..... | 3-1 |
| 3.2 | Idle Blade Wheel Assembly | 3-3 |
| 3.3 | Hydraulic Blade Tensioner Assembly..... | 3-5 |
| 3.4 | Sawdust Flow Guide..... | 3-7 |
| SECTION 4 | SAW HEAD | 4-1 |
| 4.1 | Middle Throat Screw | 4-1 |
| 4.2 | Drive Belt Tensioner | 4-2 |
| 4.3 | Board Return Assembly (optional)..... | 4-3 |
| 4.4 | Water Lube Assembly | 4-5 |
| 4.5 | Saw Head Decals..... | 4-6 |
| 4.6 | Blade Housing Covers..... | 4-7 |
| 4.7 | Sawdust Chute | 4-8 |
| SECTION 5 | CONTROL & BATTERY BOXES | 5-1 |
| 5.1 | Control Assembly (Gas/Diesel)..... | 5-1 |
| 5.2 | Drum Switches | 5-3 |
| 5.3 | Front Panel Assembly & Harnesses | 5-4 |
| 5.4 | Circuit Breakers..... | 5-5 |
| 5.5 | Solenoids | 5-6 |
| 5.6 | Battery Box Assembly (Sawmills w/D42 Engine Only)..... | 5-7 |
| 5.7 | Fuse Box Assembly (Sawmills w/D42 Engine Only)..... | 5-8 |
| SECTION 6 | UP/DOWN SYSTEM | 6-1 |
| 6.1 | Up/Down Rollers & Covers | 6-1 |
| 6.2 | Blade Height Scale | 6-3 |
| 6.3 | Up/Down Chain & Sprockets..... | 6-5 |
| 6.4 | Up/Down Drive Assembly | 6-7 |
| SECTION 7 | FEED SYSTEM & TRACK ROLLERS | 7-1 |
| 7.1 | Upper Track Rollers And Wipers..... | 7-1 |
| 7.2 | Power Feed Assembly | 7-3 |
| 7.3 | Feed Chain/Stop, LT70 S/M | 7-4 |
| 7.4 | Lower Track Rollers..... | 7-6 |

Table of Contents

Section-Page

SECTION 8 BED FRAME ASSEMBLY

8-1

| | | |
|------|--|------|
| 8.1 | Bed Rail Assembly, Front And Rear | 8-1 |
| 8.2 | Bed Rail Assembly, Front Middle | 8-2 |
| 8.3 | Bed Rail Assembly, Rear Middle | 8-3 |
| 8.4 | Clamp Mount Assembly, Front (A/DH5/7)..... | 8-4 |
| 8.5 | Clamp Mount Assembly, Rear (A/DH5/7)..... | 8-6 |
| 8.6 | Leg, Stationary | 8-8 |
| 8.7 | Board Return Table Assembly | 8-10 |
| 8.8 | Pivot Bed Rail Assembly..... | 8-12 |
| 8.9 | Log Side Support Assembly (Manual) | 8-14 |
| 8.10 | Tie Down Chain Assembly | 8-16 |
| 8.11 | LT70 S/M Saw Head Rest Pin Assembly..... | 8-17 |
| 8.12 | Bed Frame Decals | 8-19 |

SECTION 9 HYDRAULIC SYSTEM

9-1

| | | |
|------|--|------|
| 9.1 | Hydraulic Hoses | 9-1 |
| 9.2 | Hydraulic Control Box, LT70 Series DH3..... | 9-3 |
| 9.3 | Hydraulic Control Box, LT70 Series DH5/7..... | 9-6 |
| 9.4 | Hydraulic Power Supply Strip..... | 9-9 |
| 9.5 | Hydraulic Log Loader | 9-11 |
| 9.6 | Hydraulic Log Turner | 9-13 |
| 9.7 | Hydraulic Log Side Supports (S/M Type Frame) | 9-15 |
| 9.8 | Hydraulic Log Clamp, Right | 9-17 |
| 9.9 | Hydraulic Log Clamp | 9-19 |
| 9.10 | Hydraulic Toe Board | 9-21 |

SECTION 1 GENERAL INFORMATION

1.1 How To Use The Parts List

- Use the index above to locate the assembly that contains the part you need.
- Go to the appropriate section and locate the part in the illustration.
- Use the number pointing to the part to locate the correct part number and description in the table.
- Parts shown indented under another part are included with that part.
- Parts marked with a diamond (◆) are only available in the assembly listed above the part.

See the sample table below. Sample Part #A01111 includes part F02222-2 and subassembly A03333. Subassembly A03333 includes part S04444-4 and subassembly K05555. The diamond (◆) indicates that S04444-4 is not available except in subassembly A03333. Subassembly K05555 includes parts M06666 and F07777-77. The diamond (◆) indicates M06666 is not available except in subassembly K05555.

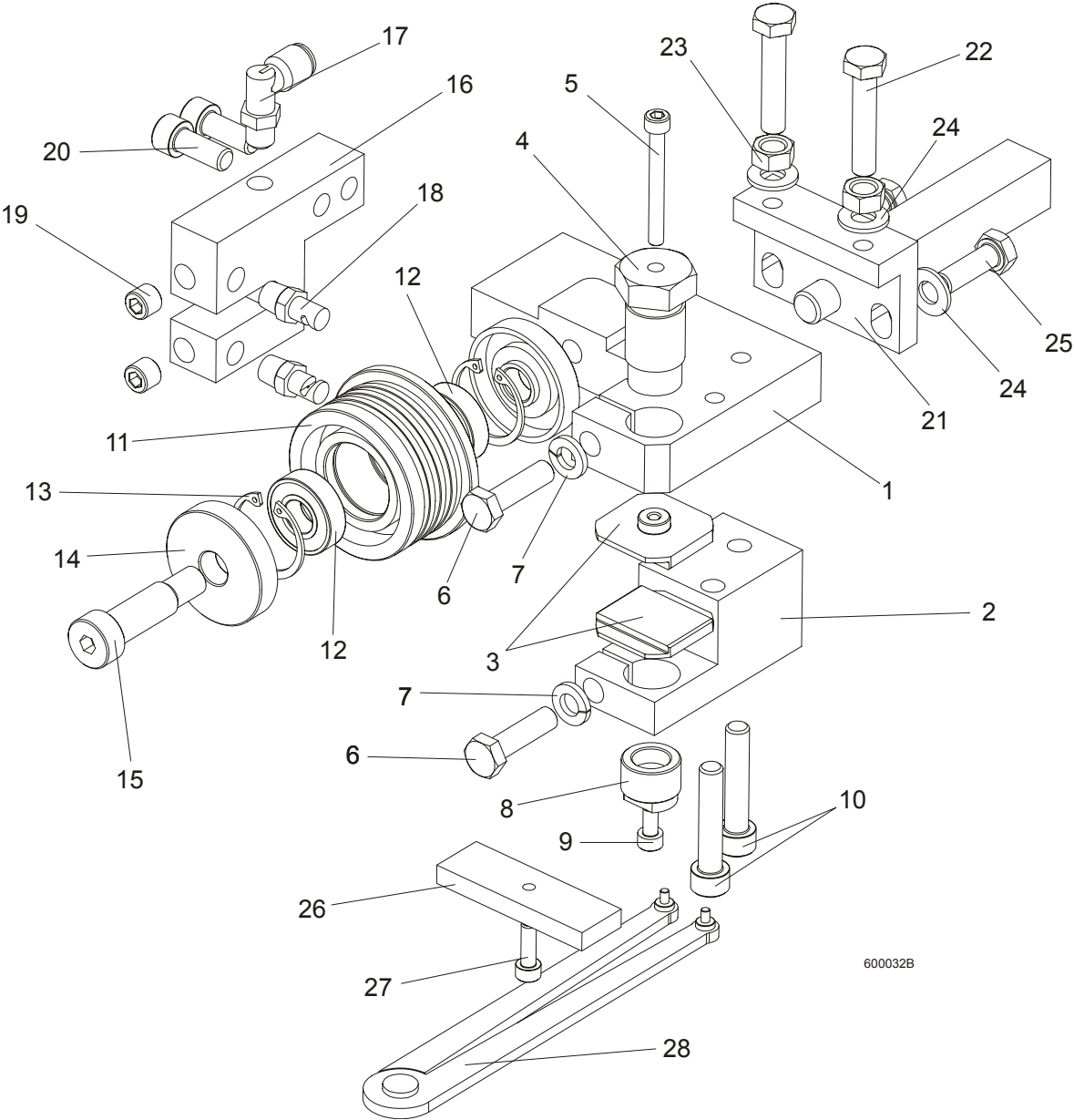
| 1.2 Sample Assembly | | | | |
|----------------------------|---|-----------|------|---|
| REF | DESCRIPTION (◆ Indicates Parts Available In Assemblies Only) | PART # | QTY. | |
| | Sample Assembly, Complete (Includes All Indented Parts Below) | A01111 | 1 | |
| 1 | Sample Part | F02222-22 | 1 | |
| | Sample Subassembly (Includes All Indented Parts Below) | A03333 | 1 | |
| 2 | Sample Part (◆ Indicates Part Is Only Available With A03333) | S04444-4 | 1 | ◆ |
| | Sample Subassembly (Includes All Indented Parts Below) | K05555 | 1 | |
| 3 | Sample Part (◆ Indicates Part Is Only Available With K05555) | M06666 | 2 | ◆ |
| 4 | Sample Part | F07777-77 | 1 | |

To Order Parts:

- From Europe call our European Headquarters and Manufacturing Facility in Kolo, Poland at **+48-63-2626000**. From the continental U.S., call our toll-free Parts hotline at **1-800-448-7881**. Have your customer number, vehicle identification number, and part numbers ready when you call.
- From other international locations, contact the Wood-Mizer distributor in your area for parts.

SECTION 2 BLADE GUIDE ROLLERS & ARM

2.1 Blade Guide Assembly, Idle Side



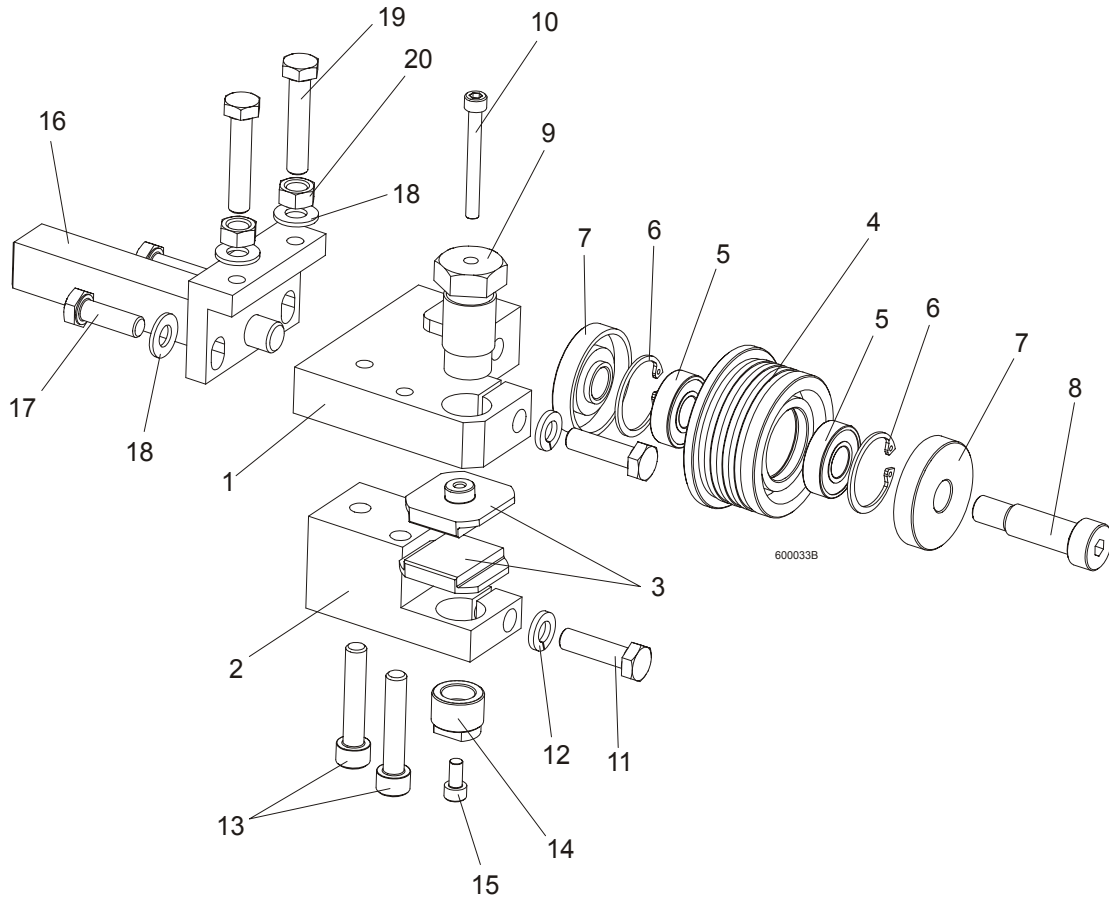
600032B

2 BLADE GUIDE ROLLERS & ARM

Blade Guide Assembly, Idle Side

| REF | DESCRIPTION (u Indicates Parts Available In Assemblies Only) | PART# | QTY. | |
|-----|---|-----------|------|--|
| | BLADE GUIDE ASSEMBLY, IDLE SIDE | 090943 | 1 | |
| | BLADE GUIDE ASSEMBLY, IDLE SIDE, EXTENDED (for optional use with 1 1/2" blades) | 092997 | 1 | |
| 1 | Block, Blade Guide Mount Zinc-plated | 090947-1 | 1 | |
| 2 | Block, Lower Ceramic Pad Mount Zinc-plated | 090948-1 | 1 | |
| 3 | Block, Blade Guide Zinc | 093430-1 | 2 | |
| 4 | Bolt, Upper Pad Adjustment Zinc-plated | 089515-1 | 1 | |
| 5 | Screw, M5x45 DIN912 A2-70 Hex Socket Head Cap Stainless Steel | F81000-24 | 1 | |
| 6 | Bolt, M8x30 DIN933 A2-70 Stainless Steel | F81002-27 | 2 | |
| 7 | Washer, 8.2 Split Lock Zinc | F81054-4 | 2 | |
| 8 | Screw, Lower Pad Adjuster Zinc-plated | 090945-1 | 1 | |
| 9 | Screw, M5x10 DIN912 A2-70 Hex Socket Head Cap Stainless Steel | F81000-23 | 1 | |
| 10 | Screw, M8x40-8.8 Hex Socket Head Cap Zinc | F81002-29 | 2 | |
| | Roller, Blade Guide Narrow W/Bearing | 088261 | 1 | |
| | Roller, Blade Guide W/Bearing, Extended | 092939 | 1 | |
| 11 | Roller, Blade Guide Narrow | 087889 | 1 | |
| 12 | Bearing, 6001 2RSR NACHI | 087893 | 2 | |
| 13 | Ring, W28 Inside Retaining | F81090-9 | 2 | |
| 14 | Washer, Blade Guide Roller Spacer Zinc-plated | 087891-1 | 2 | |
| 15 | Screw, 12/M10x30 12.9 ISO 7379 Socket Head Shoulder | F81003-70 | 1 | |
| | Screw, 12/M10x35 12.9 ISO 7379 Socket Head Shoulder, (used with the Extended Roller only) | F81003-48 | 1 | |
| 16 | Block, Nozzle Mounting Zinc-plated | 090487-1 | 1 | |
| 17 | Fitting, 90° Elbow 1/8NPT-1/4 Tube Swivel | P09736 | 1 | |
| 18 | Nozzle, Blade Lube Spray | 033479 | 2 | |
| 19 | Plug, M10x1 DIN 906 BN40 "BOSSARD" | F81015-3 | 2 | |
| 20 | Screw, M8x20-8.8 Hex Socket Head Cap Zinc | F81002-30 | 2 | |
| 21 | Pivot Weldment, Blade Guide Zinc-plated | 089509-1 | 1 | |
| 22 | Bolt, M8x40 DIN933 A2-70 Stainless Steel | F81002-28 | 2 | |
| 23 | Nut, M8 DIN934 A2-70 Stainless Steel | F81032-7 | 2 | |
| 24 | Washer, 8.4 Zinc Flat | F81054-1 | 4 | |
| 25 | Bolt, M8x25 DIN933 A2-70 Stainless Steel | F81002-26 | 2 | |
| | Block, Blade Guide Alignment | 090951 | 1 | |
| 26 | Block, Blade Guide Alignment Zinc-plated | 090805-1 | 1 | |
| 27 | Screw, M5x16-8.8 Hex Socket Head Cap Zinc | F81000-25 | 1 | |
| 28 | Tool, 62860-3 (PERSCHMAN) Lower Pad Adjustment | 090949 | 1 | |

2.2 Blade Guide Assembly, Drive Side

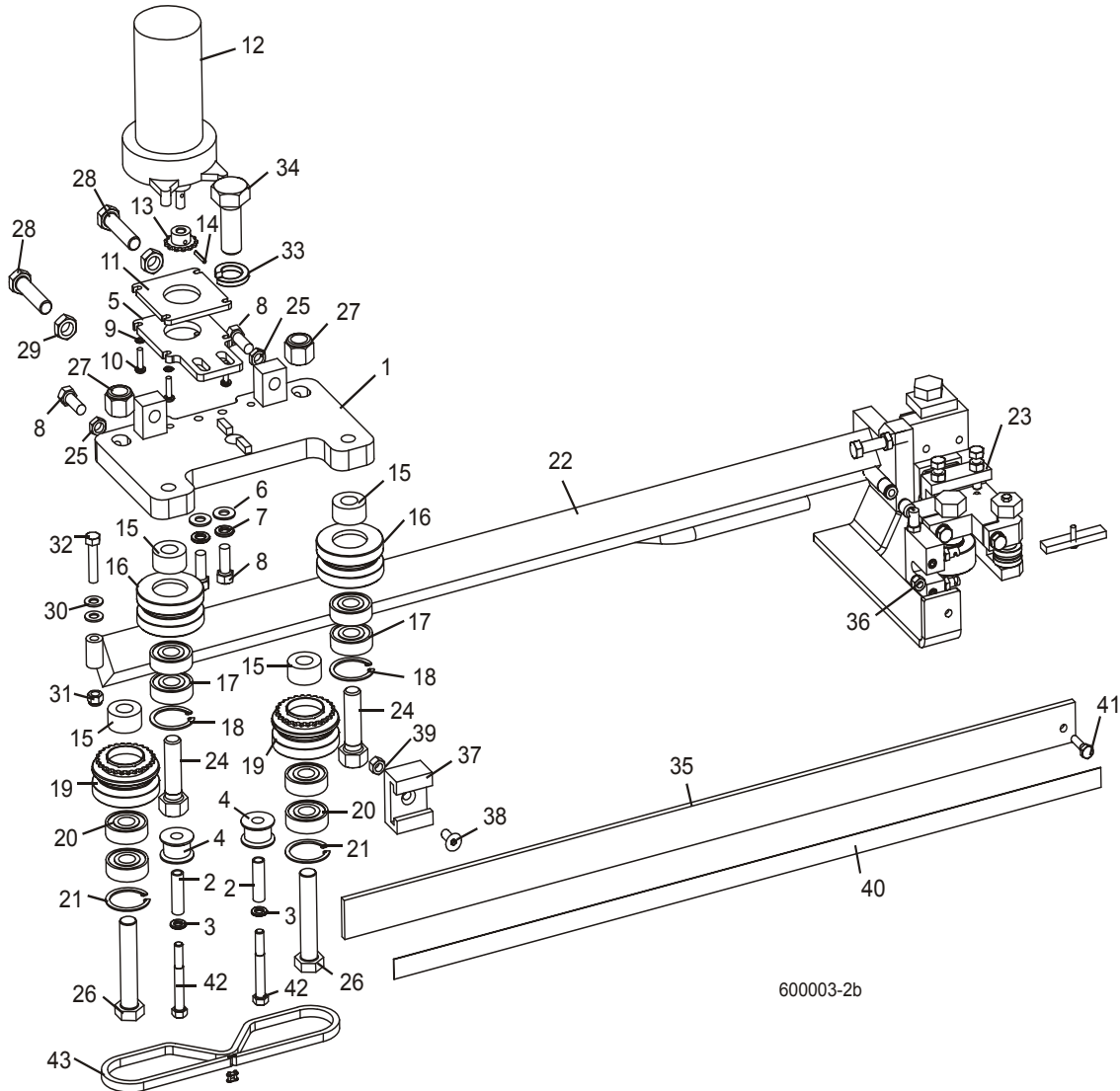


| REF | DESCRIPTION (u Indicates Parts Available In Assemblies Only) | PART # | QTY. | |
|-----|--|-----------|------|---|
| | BLADE GUIDE ASSEMBLY, DRIVE SIDE | 090942 | 1 | |
| | BLADE GUIDE ASSEMBLY, DRIVE SIDE, EXTENDED (for optional use with 1 1/2" blades) | 092998 | 1 | |
| 1 | Block, Blade Guide Mount Zinc-plated | 090944-1 | 1 | |
| 2 | Block, Lower Ceramic Pad Mount Zinc-plated | 090946-1 | 1 | |
| 3 | Block, Blade Guide Zinc | 093430-1 | 2 | |
| | Roller, Blade Guide Narrow W/Bearing | 088261 | 1 | |
| | Roller, Blade Guide W/Bearing, Extended | 092939 | 1 | |
| 4 | Roller, Blade Guide Narrow | 087889 | 1 | |
| 5 | Bearing, 6001 2RSR NACHI | 087893 | 2 | ◆ |
| 6 | Ring, W28 Inside Retaining | F81090-9 | 2 | |
| 7 | Washer, Blade Guide Roller Spacer Zinc-plated | 087891 | 2 | |
| 8 | Screw, 12/M10x30 12.9 ISO 7379 Socket Head Shoulder | F81003-70 | 1 | |
| | Screw, 12/M10x35 12.9 ISO 7379 Socket Head Shoulder (used with the Extended Roller only) | F81003-48 | 1 | |

2**BLADE GUIDE ROLLERS & ARM***Blade Guide Assembly, Drive Side*

| | | | | |
|-----------|---|-----------|---|--|
| 9 | Bolt, Upper Pad Adjustment | 089515 | 1 | |
| 10 | Screw, M5x45 DIN912 A2-70 Hex Socket Head Cap Stainless Steel | F81000-24 | 1 | |
| 11 | Bolt, M8x30 DIN933 A2-70 Stainless Steel | F81002-27 | 2 | |
| 12 | Washer, 8.2 Split Lock Zinc | F81054-4 | 2 | |
| 13 | Screw, M8x40-8.8 Hex Socket Head Cap Zinc | F81002-29 | 2 | |
| 14 | Screw, Lower Pad Adjustment Zinc-plated | 090945-1 | 1 | |
| 15 | Screw, M5x10 DIN912 A2-70 Hex Socket Head Cap Stainless Steel | F81000-23 | 1 | |
| 16 | Pivot Weldment, Blade Guide Zinc-plated | 089509-1 | 1 | |
| 17 | Bolt, M8x25 DIN933 A2-70 Stainless Steel | F81002-26 | 2 | |
| 18 | Washer, 8.4 Zinc Flat | F81054-1 | 4 | |
| 19 | Bolt, M8x40 DIN933 A2-70 Stainless Steel | F81002-28 | 2 | |
| 20 | Nut, M8 DIN934 A2-70 Stainless Steel | F81032-7 | 2 | |

2.3 Blade Guide Arm Drive Assembly



| REF | DESCRIPTION (u Indicates Parts Available In Assemblies Only) | PART# | QTY. |
|-----|--|-----------|------|
| | BLADE GUIDE ARM ASSEMBLY | 090950 | 1 |
| 1 | Plate Weldment, Blade Guide Arm Zinc-plated | 090800-1 | 1 |
| 2 | Bushing, 0.322 x 0.44 x 1 1/2" Spacer | S09996 | 2 |
| 3 | Washer, 5/16" Split Lock Zinc | F05011-13 | 2 |
| 4 | Roller, Chain Guide | 090801 | 2 |
| 5 | Plate, Blade Guide Motor Mount Ptd | 090803-1 | 1 |
| 6 | Washer, 10.5 Zinc Flat | F81055-1 | 2 |
| 7 | Washer, 3/8" Zinc Flat | F05011-4 | 2 |
| 8 | Bolt, M10 x 25 8.8 Hex Head Full Thread | F81003-31 | 4 |

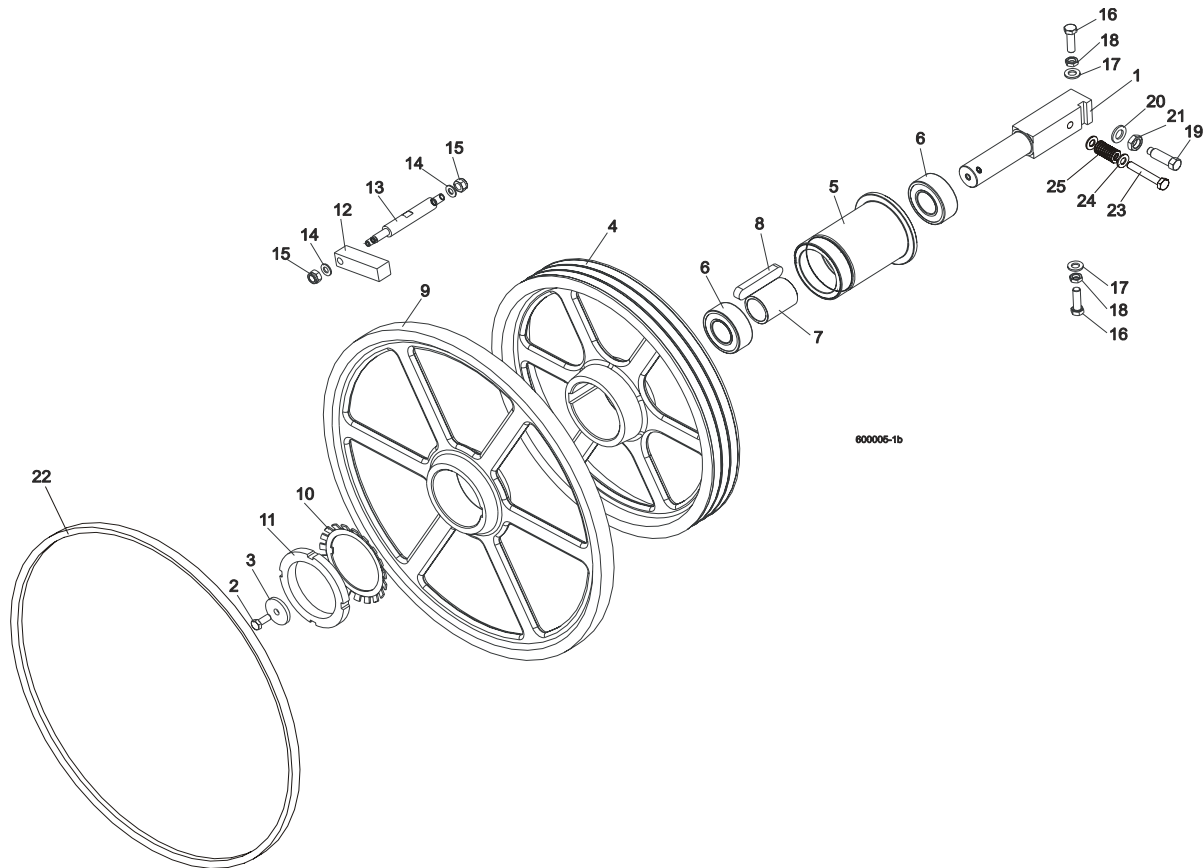
2 BLADE GUIDE ROLLERS & ARM

Blade Guide Arm Drive Assembly

| | | | | |
|----|---|-----------|---|--|
| 9 | Washer, 5.3 Zinc Flat | F81052-1 | 4 | |
| 10 | Screw, #10-32 x 3/4 CrS1 Phillips Head | F05004-38 | 4 | |
| 11 | Plate, Spacer Ptd | 090802-1 | 1 | |
| 12 | Motor, 53:1 Gear ASA Blade Guide Arm | P09698-1 | 1 | |
| 13 | Sprocket, 25B13 x .3130 | P09970 | 1 | |
| 14 | Pin, 3 x 14 Zinc Roll | F81044-4 | 1 | |
| 15 | Spacer, Drive Roller Zinc-plated | 090804-1 | 4 | |
| | ROLLER ASSEMBLY, BLADE GUIDE ARM IDLER | 042543 | 2 | |
| 16 | Housing, 2 1/2" V-Groove | 042536 | 1 | |
| 17 | Bearing, 6203-2NSL 5/8 | P06030-1 | 2 | |
| 18 | Ring, 1.575" ID 5002-156 Retaining | F04254-8 | 1 | |
| | ROLLER ASSEMBLY, BLADE GUIDE ARM DRIVE | 042542 | 2 | |
| 19 | Housing, 2 1/2" V-Groove W/Sprocket | 042541 | 1 | |
| 20 | Bearing, 6203-2NSL 5/8 | P06030-1 | 2 | |
| 21 | Ring, 1.575" ID 5002-156 Retaining | F04254-8 | 1 | |
| 22 | Arm Weldment, Blade Guide Zinc-plated | 090479-1 | 1 | |
| 23 | Blade Guide Parts (See Section 2.1) | | | |
| 24 | Bolt, 5/8-18 x 2 1/4 Hex Head Grade 5 | F05009-80 | 2 | |
| 25 | Nut, M10-04-W Zinc Hex Thin | F81033-6 | 2 | |
| 26 | Bolt, 5/8-18 x 3 1/4 Hex Head Grade 5 | F05009-80 | 2 | |
| 27 | Nut, 5/8-18 Hex Nylon Lock | F05010-71 | 2 | |
| 28 | Screw, M12 x 1.25 x 60-33H Zinc Hex Set W/Full Dog Point | F81004-52 | 2 | |
| 29 | Nut, M12 x 1.25 8.8 Zinc Hex Thin | F81034-5 | 2 | |
| 30 | Washer, 8.4 Zinc Flat | F81054-1 | 1 | |
| 31 | Nut, M8-8-B Hex Nylon Zinc Lock | F81032-2 | 1 | |
| 32 | Bolt, M8 x 40-8.8 Hex Head Full Thread Zinc | F81002-15 | 1 | |
| 33 | Washer, DIN 6319-21C Spherical | F81059-6 | 1 | |
| 34 | Bolt, M20 x 1.5 x 50-8.8-B Hex Head Full Thread Zinc | F81007-2 | 1 | |
| 35 | Guard, Blade | 088306 | 1 | |
| 36 | Nut, M6-8-B Hex Nylon Zinc LOck | F81031-2 | 1 | |
| 37 | Guide, Blade Guard | 088305 | 1 | |
| 38 | Screw, M8 x 25 Cross Recessed Countersunk Head Zinc | F81002-51 | 1 | |
| 39 | Nut, M8-8-B Hex Nylon Zinc Lock | F81032-2 | 1 | |
| 40 | Decal, Warning | 015849 | 1 | |
| 41 | Bolt, M6 x 20-8.8 Hex Head Full Thread Zinc | F81001-2 | 2 | |
| 42 | Screw, 12/M10 x 20 12.9 ISO7379(BOSSARD) Socket Head Shoulder | F81003-68 | 2 | |
| 43 | Chain, #25 x 92 PITCHES B/G | 093805 | 1 | |

SECTION 3 BLADE WHEELS & TENSIONER

3.1 Blade Drive Assembly



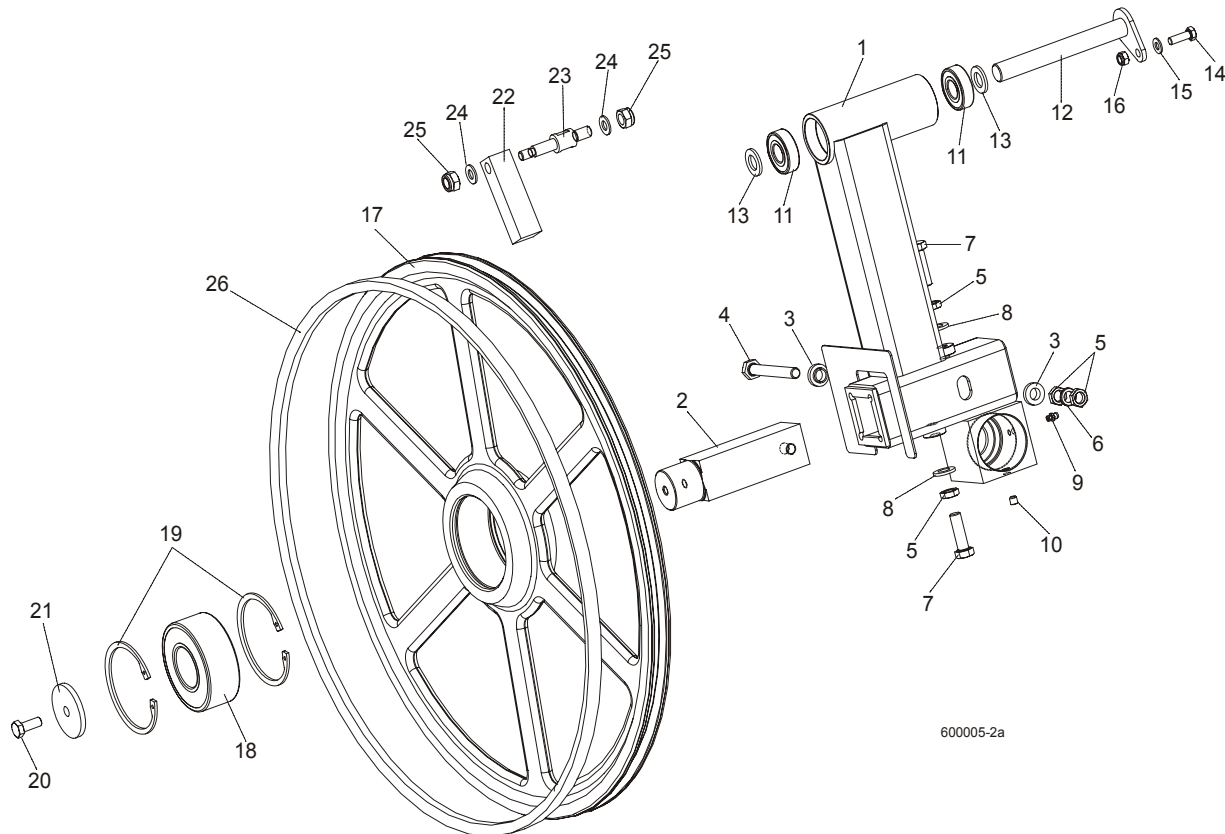
| REF | DESCRIPTION (◆ Indicates Parts Available In Assemblies Only) | PART # | QTY. |
|-----|--|-----------|------|
| 1 | SHAFT, BLADE DRIVE WHEEL | 088475 | 1 |
| 2 | BOLT, M10x25 8.8 HEX HEAD FULL THREAD | F81003-31 | 1 |
| 3 | WASHER, BLADE DRIVE WHEEL | 088956-1 | 1 |
| | PULLEY ASSEMBLY, BLADE DRIVE (DC) | 088561 | 1 |
| 4 | Pulley, 3-Groove 484 mm Diameter | 089457-1 | 1 |
| 5 | Bushing, Blade Drive Wheel | 088476 | 1 |
| 6 | Bearing, 3208.2rsr.tvh (FAG) Rolling | 088449 | 2 |
| 7 | Spacer, Drive Bearing | 088478 | 1 |
| 8 | Key, A20x12x100 Parallel | 088477 | 1 |
| 9 | WHEEL, BLADE DRIVE | 090811 | 1 |
| 10 | WASHER, MB21 (FAG) LOCK | 088451 | 1 |
| 11 | NUT, KM21(M105X2) (FAG) LOCK | 088450 | 1 |
| 12 | BAR, WHEEL SCRAPER | 088781 | 1 |
| 13 | SHAFT, WHEEL SCRAPER | 088780-1 | 1 |

3 Blade Wheels & Tensioner

Blade Drive Assembly

| | | | | |
|----|--|-----------|---|--|
| 14 | WASHER, 10.5 ZINC FLAT | F81055-1 | 2 | |
| 15 | NUT, M12-8 HEX NYLON ZINC LOCK | F81034-2 | 2 | |
| 16 | BOLT, M12X1.25X40 HEX HEAD | F81004-42 | 3 | |
| 17 | WASHER, 13 FLAT ZINC | F81056-1 | 3 | |
| 18 | NUT, M12X1.25 8.8 THIN ZINC | F81034-5 | 3 | |
| 19 | SCREW, M16X1.5X50-33H HEX HEAD FULL DOG POINT SET ZINC | F81006-14 | 1 | |
| 20 | WASHER, 17 ZINC FLAT | F81058-1 | 1 | |
| 21 | NUT, M16x1.5-08-B ZINC THIN | F81036-6 | 1 | |
| 22 | BELT, BLADE WHEEL B72.5 | 017922 | 1 | |
| 23 | BOLT M10X65 | F81003-67 | 1 | |
| 24 | WASHER, 10.5 ZINC FLAT | F81055-1 | 2 | |
| 25 | SPRING19X38 | 034430 | 1 | |

3.2 Idle Blade Wheel Assembly



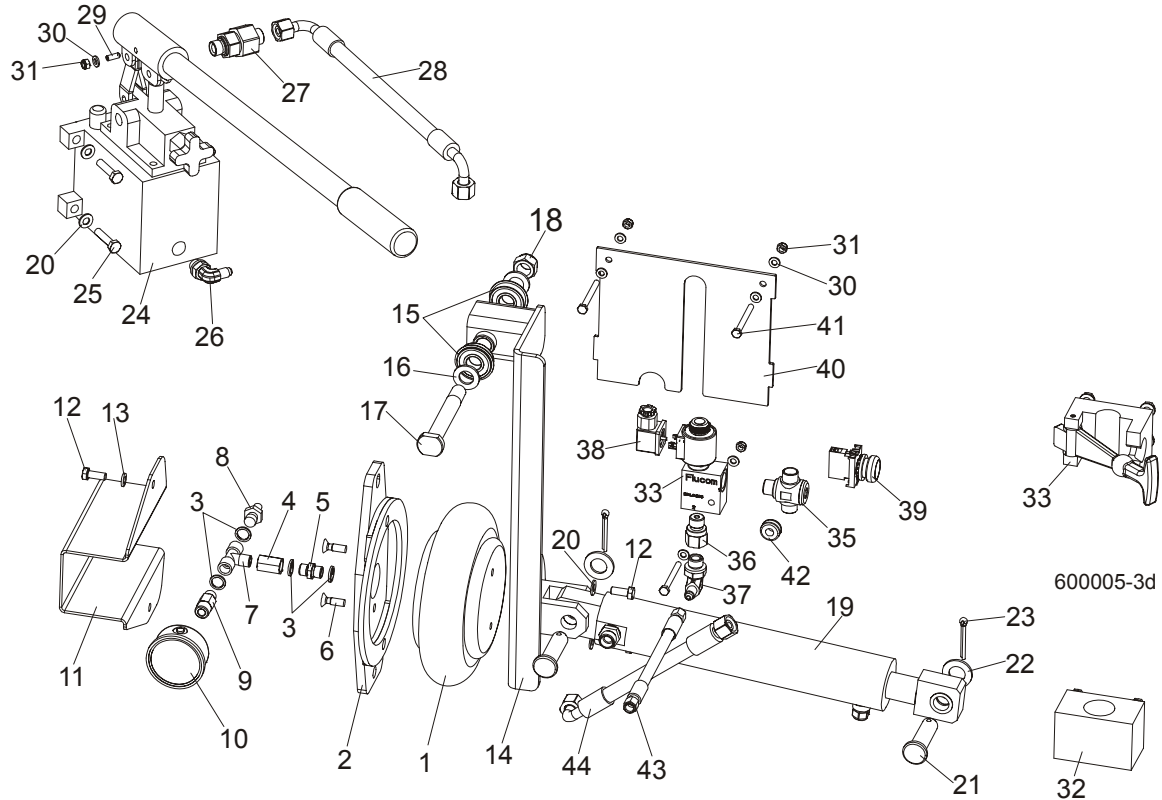
| REF | DESCRIPTION (◆ Indicates Parts Available In Assemblies Only) | PART # | QTY. |
|-----|--|-----------|------|
| | TUBE WELDMENT, LT60 IDLE SIDE BLADE WHEEL COMPLETE | 088762 | 1 |
| 1 | Tube Weldment, LT60 Idle Blade Wheel | 088434-1 | 1 |
| 2 | Shaft, Idle Blade Wheel | 088474 | 1 |
| 3 | Washer, Zinc Special | 086769-1 | 2 |
| 4 | Bolt, M12x1.25x100-8.8 Hex Head Zinc | F81004-41 | 1 |
| 5 | Nut, M12x1.25 8.8 Hex ZincThin | F81034-5 | 4 |
| 6 | Washer, Z12.2 Split Zinc Lock | F81056-2 | 1 |
| 7 | Bolt, M12x1.25x40 Hex Head | F81004-42 | 2 |
| 8 | Washer, 13 Zinc Flat | F81056-1 | 2 |
| 9 | Fitting, M6 Straight Grease | 086280 | 1 |
| 10 | Screw, M8x8-33H Hex Socket Set Flat Point Zinc | F81014-1 | 1 |
| 11 | Bearing, 6204 2RS-CX Rolling | 088447 | 2 |
| 12 | PIN WELDMENT, PIVOT | 088759-1 | 1 |
| 13 | WASHER, 17 ZINC FLAT | F81058-1 | 2 |
| 14 | BOLT, M8X25-8.8-B HEX HEAD FULL THREAD ZINC | F81002-5 | 1 |
| 15 | WASHER, 8.4 ZINC FLAT | F81054-1 | 1 |
| 16 | NUT, M8-8-B HEX NYLON ZINC LOCK | F81032-2 | 1 |

3 Blade Wheels & Tensioner

Idle Blade Wheel Assembly

| | | | | |
|----|--|-----------|---|--|
| | WHEEL ASSEMBLY, IDLE SIDE | 090952 | 1 | |
| 17 | Wheel, Blade Idle Side | 090810-1 | 1 | |
| 18 | Bearing, 3309B.2RSR.TVH-P66 FAG | 086428 | 1 | |
| 19 | Ring, W100 Spring Retaining | F81090-10 | 2 | |
| 20 | BOLT, M10X25 8.8 HEX HEAD FULL THREAD | F81003-31 | 1 | |
| 21 | WASHER, IDLE BLADE WHEEL RETAINING | 088957-1 | 1 | |
| 22 | SCRAPER, IDLE BLADE WHEEL | 088781 | 1 | |
| 23 | SHAFT, SHORT ZINC WHEEL SCRAPER | 088779-1 | 1 | |
| 24 | WASHER, 10.5 ZINC FLAT | F81055-1 | 2 | |
| 25 | NUT, M12-8 HEX NYLON ZINC LOCK | F81034-2 | 2 | |
| 26 | BELT, BLADE WHEEL B72.5 | 017922 | 1 | |

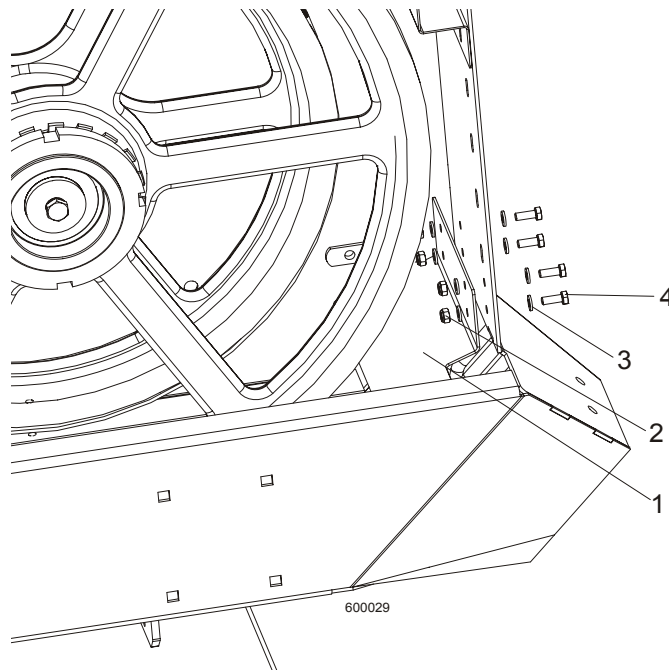
3.3 Hydraulic Blade Tensioner Assembly



| REF | DESCRIPTION (◆ Indicates Parts Available In Assemblies Only) | PART # | QTY. |
|-----|--|-----------|------|
| | HYDRAULIC BLADE TENSIONER, COMPLETE | 092775 | 1 |
| 1 | Bag, POJ 192 308 100 0 Air | 088576 | 1 |
| 2 | Bracket, Air Bag Mount | 088798-1 | 1 |
| 3 | Seal, G1/4 866-014-000-0 | 090809 | 4 |
| 4 | Fitting, 1/4 Female Thread/1/4 Female Thread 893-302-000-4 | 090808 | 1 |
| 5 | Nipple, 1/4 Thread/1/4 Thread 893-104-430-4 | 090807 | 1 |
| 6 | Bolt, M8x25 Pan Head Zinc | F81002-51 | 2 |
| 7 | Fitting, PO 2301 002 2 Tee Connector | 088573 | 1 |
| 8 | Fitting, 1/4" Thread 390 004 004 0 (REXROTH) Air Tank Valve | 088575 | 1 |
| 9 | Fitting, 1/8" Thread x 1/4" Thread | 088571 | 1 |
| 10 | Gauge, M63T-2,5/20G G 1/8 0-0,6 MPa/PSI Air Pressure | 088568 | 1 |
| 11 | Guard, Air Pressure Gauge | 088924-1 | 1 |
| 12 | Screw, M8x25 Cross Recessed Countersunk Head Zinc | F81002-4 | 4 |
| 13 | Washer 8.2 Zinc Split | F81054-4 | 2 |
| 14 | Arm, Air Cylinder Painted | 092779-1 | 1 |
| 15 | Bearing w/Snap Ring 6203-2RS | 086395 | 2 |
| 16 | Washer, M16, Flat Zinc | F81058-1 | 2 |
| 17 | Pin, Idler Arm Mount | 086404 | 1 |

| | | | | |
|----|--|-----------|---|--|
| 18 | Nut, M16, Hex, Nylon Zinc Lock | F81036-2 | 2 | |
| 19 | Cylinder, Air Complete | 092788 | 1 | |
| 20 | Washer, 8.4 Zinc Flat | F81054-1 | 6 | |
| 21 | Pin, PN-EN 22341-B-18x65x57-A2 | F81049-4 | 2 | |
| 22 | Washer, 19 Flat Zinc | F81060-1 | 2 | |
| 23 | Pin, S-Zn 5x40 PN-M/82001 | F81043-31 | 2 | |
| 24 | Pump,PMS12/TNK1 Manual w/Tank 1l | 092789 | 1 | |
| 25 | Bolt, 8mm x 1.25x35mm HH Zinc | F81002-13 | 4 | |
| 26 | Elbow, CA-204410-3 | 094562 | 1 | |
| 27 | Valve, RHV12LREDA3C Check | 094559 | 1 | |
| 28 | Hose, DN12 w/fittings PN10AOL90 M18x1,5 | 094565 | 1 | |
| 29 | Latch, GN615.3-M6-KN Ball Threaded | 096874 | 1 | |
| 30 | Washer, M6, Flat, Zinc | F81053-1 | 7 | |
| 31 | Nut, M6, Hex, Nylon Lock Zinc | F81031-2 | 4 | |
| 32 | Bracket, Tensioner Pump Handle Bottom | 096951 | 1 | |
| 33 | Bracket, Tensioner Pump Handle Upper | 092800 | 1 | |
| 34 | Valve, ECP 20/22B2 | 094564 | 1 | |
| 35 | T-connection, HD-TH-12L-BE-06 | 094560 | 1 | |
| 36 | Fitting, G 3/8 Throttle | 096849 | 1 | |
| 37 | Elbow, CA-204411-3 | 094563 | 1 | |
| 38 | Connector, 300.11.00 Solenoid | 094555 | 1 | |
| 39 | Pushbutton, M22 momentary, flat green | 094581 | 1 | |
| 40 | Cover, Solenoid Painted | 094569-1 | 1 | |
| 41 | Bolt, M6x60mm Hex Head, Zinc | F81001-9 | 3 | |
| 42 | Grommet, Rubber 3/8 ID | 025248 | 1 | |
| 43 | Hose, 1/4 w/fittings JIC 7/16-20 | 092806 | 1 | |
| 44 | Hose, DN12 w/fittings PN10AOL90 i PN10AOL M1.5 | 096964 | 1 | |

3.4 Sawdust Flow Guide

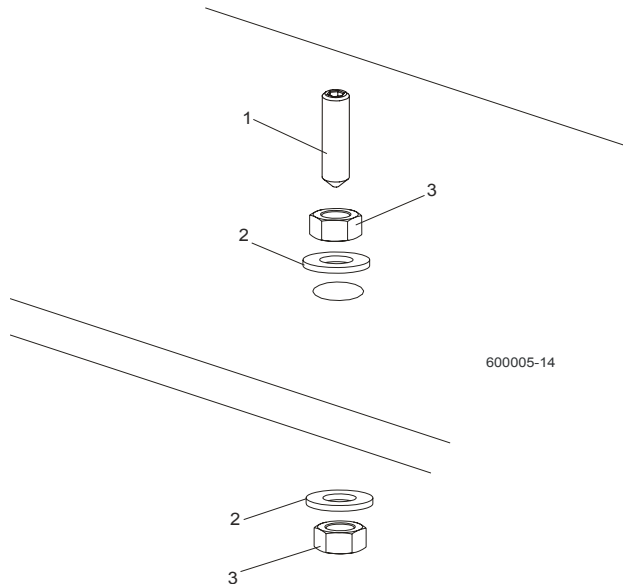


| REF | DESCRIPTION (◆ Indicates Parts Available In Assemblies Only) | PART # | QTY. | |
|-----|--|-----------|------|--|
| 1 | Guide, Sawdust Flow Painted | 090506 | 1 | |
| 2 | Nut, M6-8-B Hex Nylon Zinc Lock | F81031-2 | 4 | |
| 3 | Washer 6.4 Zinc Flat | F81053-1 | 8 | |
| 4 | Bolt, M6x16-8.8, Hex Head Full Thred, Zinc | F81001-32 | 4 | |

4 Saw Head
Middle Throat Screw

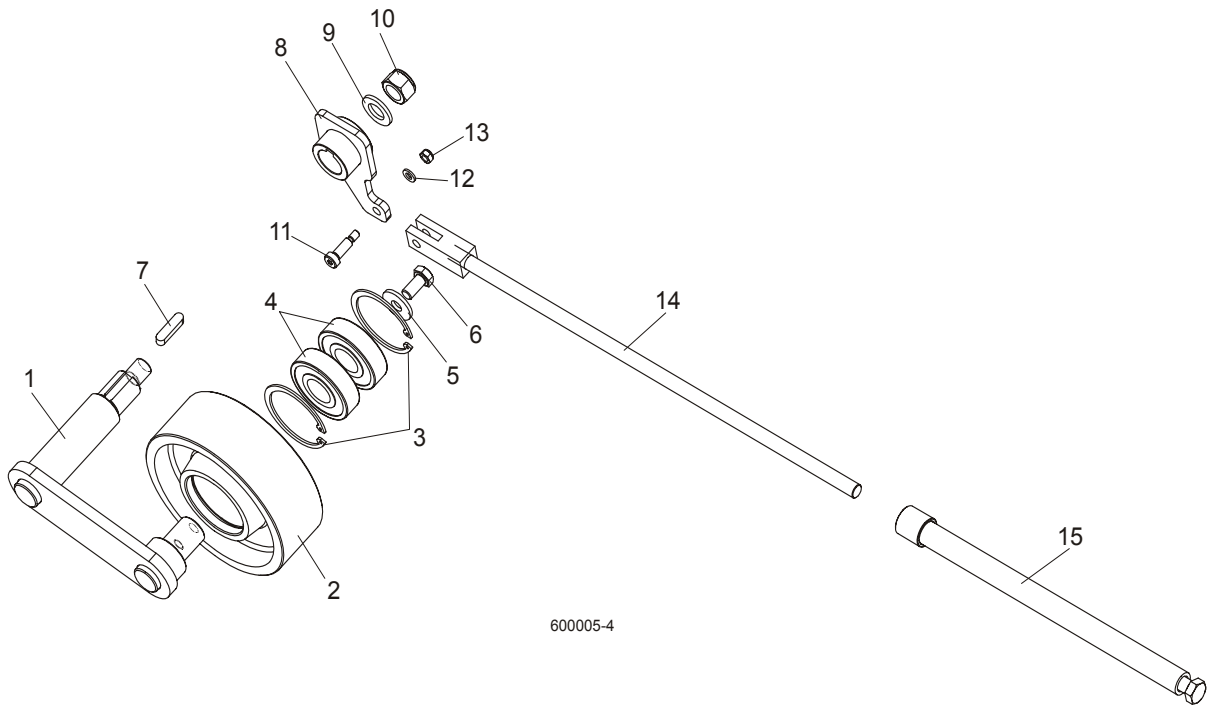
SECTION 4 SAW HEAD

4.1 Middle Throat Screw



| REF | DESCRIPTION (◆ Indicates Parts Available In Assemblies Only) | PART # | QTY. | |
|-----|--|-----------|------|--|
| 1 | SCREW, M10X40-45H HEX SOCKET SET CONE POINT ZINC | F81003-61 | 1 | |
| 2 | WASHER, 10.5 ZINC FLAT | F81055-1 | 2 | |
| 3 | NUT, M10-8-B ZINC HEX | F81033-3 | 2 | |

4.2 Drive Belt Tensioner

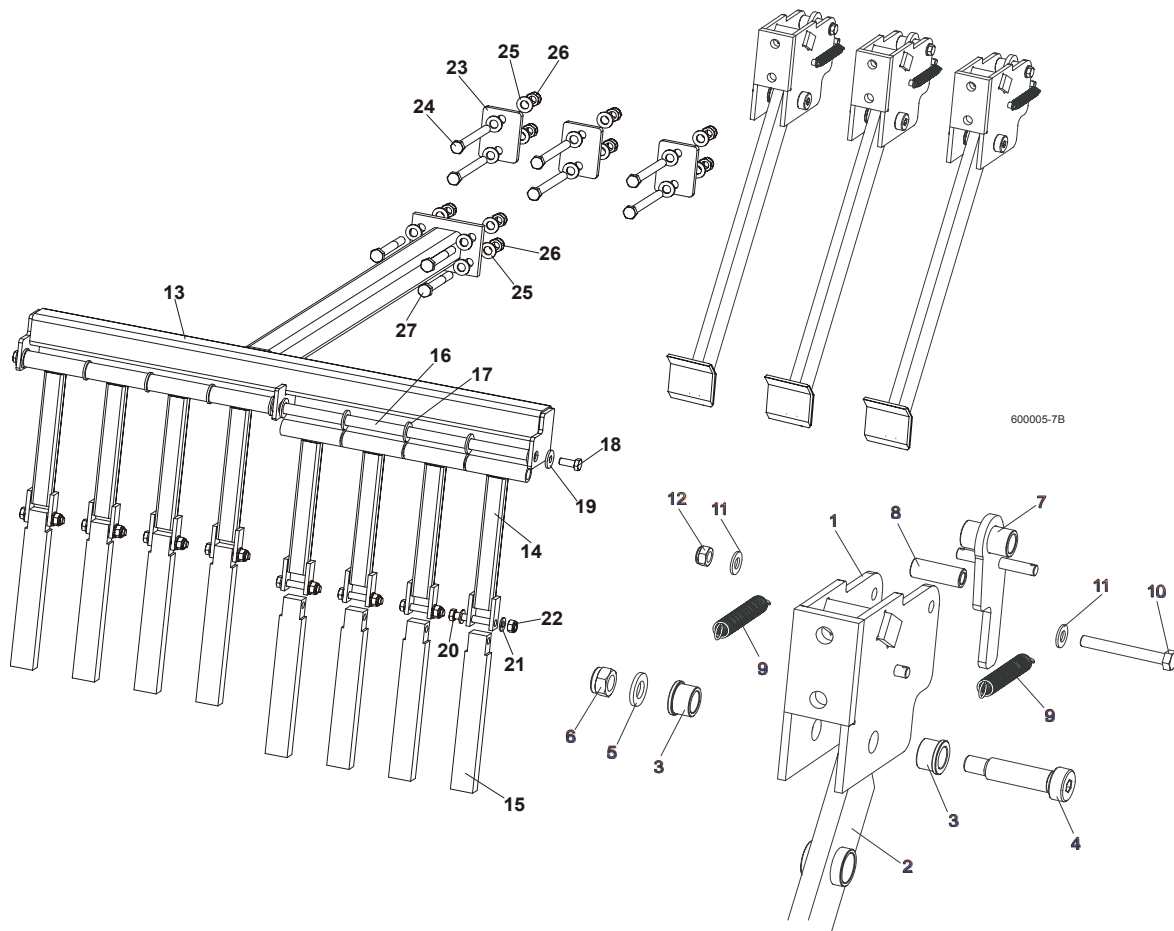


| REF | DESCRIPTION (◆ Indicates Parts Available In Assemblies Only) | PART # | QTY. |
|-----|--|-----------|------|
| | TENSIONER ASSEMBLY, DRIVE BELT | 088786 | 1 |
| 1 | Pivot Weldment, Drive Belt Tensioner | 088810-1 | 1 |
| 2 | Wheel, Belt Tension | 088814 | 1 |
| 3 | Ring, 62 mm Inside Spring Retaining | F81090-1 | 2 |
| 4 | Bearing, 6305 2RS NSK | P08066 | 2 |
| 5 | Washer, 11 Dia. Zinc Flat Special | 088787-1 | 1 |
| 6 | Bolt, M10x20-5.8 Hex Head Full Thread Zinc | F81003-1 | 1 |
| 7 | Key, A8X7X32 Parallel | 088564 | 1 |
| 8 | Arm Weldment, Drive Belt Tensioner | 088807-1 | 1 |
| 9 | Washer, 17 Zinc Flat | F81058-1 | 1 |
| 10 | Nut, M16-5.8 Zinc Hex | F81036-2 | 1 |
| 11 | Bolt, 8/M6X20 12.9 ISO 7379 BOSSARD | F81001-25 | 1 |
| 12 | Washer 6.4 Zinc Flat | F81053-1 | 1 |
| 13 | Nut, M6-8-B Hex Nylon Zinc Lock | F81031-2 | 1 |
| 14 | Rod Weldment, Threaded Zinc-Plated | 088789-1 | 1 |
| 15 | Tube Weldment, Threaded Zinc-Plated | 088782-1 | 1 |

4 Saw Head

Board Return Assembly (optional)

4.3 Board Return Assembly (optional)



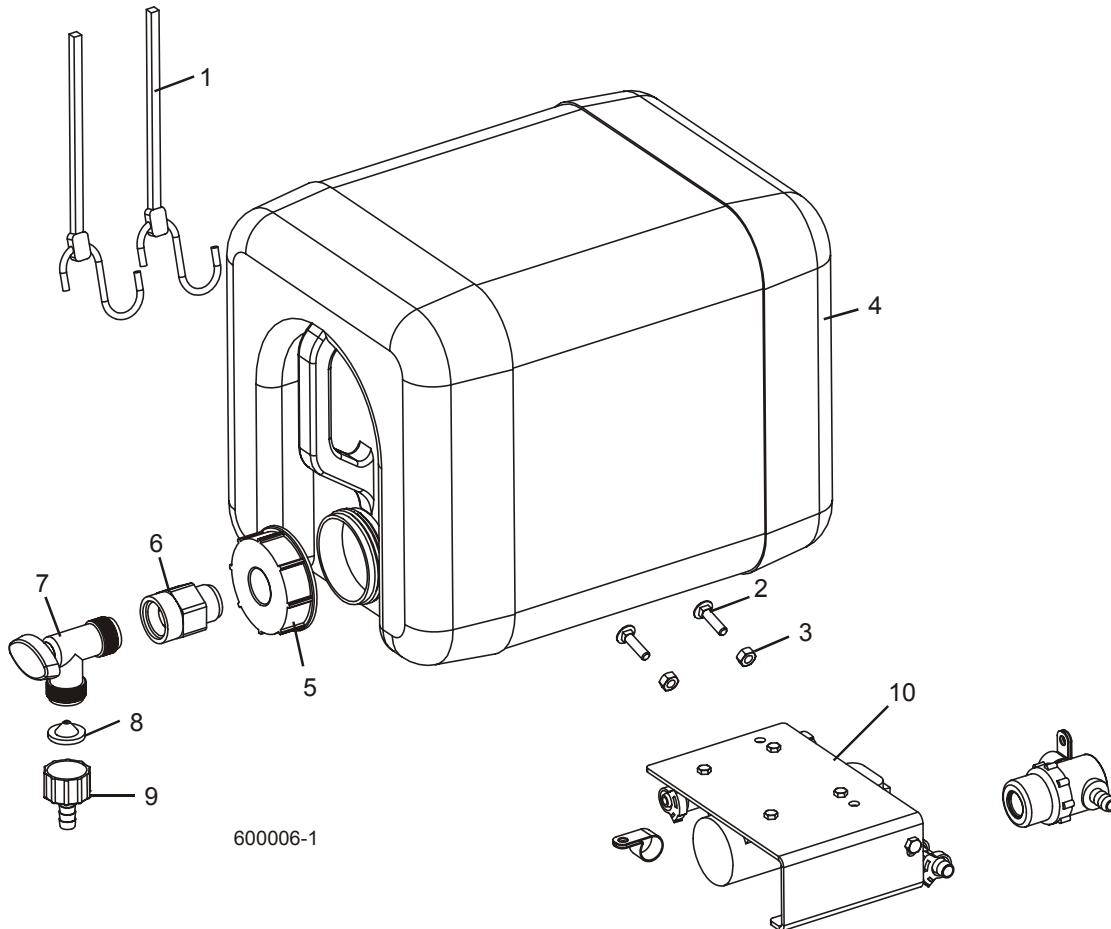
| REF | DESCRIPTION (◆ Indicates Parts Available In Assemblies Only) | PART # | QTY. |
|-----|--|-----------|------|
| | BOARD RETURN ASSEMBLY, LT70 | 092757 | 1 |
| | Board Return Assembly | 090120 | 3 |
| 1 | Mount Weldment, Board Return Arm | 090109-1 | 3 |
| 2 | Arm, Board Return | 090112-1 | 3 |
| 3 | Bushing, Bronze | 086676 | 6 |
| 4 | Bolt, 16/M12x50-12.9 ISO7379-BOSSARD Socket Head | F81004-25 | 3 |
| 5 | Washer, 13 Zinc Flat | F81056-1 | 3 |
| 6 | Nut, M12-8 Hex Nylon Zinc Lock | F81034-2 | 6 |
| 7 | Latch Weldment, Board Return Arm | 090118-1 | 3 |
| 8 | Spacer, Zinc | 090115-1 | 3 |
| 9 | Spring, 1/2 x 2 1/4 x 0,06 Extension | 014817 | 6 |
| 10 | Bolt, M8 x 65-5.8 Hex Head Zinc | F81002-3 | 3 |
| 11 | Washer, 8.4 Zinc Flat | F81054-1 | 6 |

| | | | | |
|-----------|--|-----------|----|--|
| 12 | Nut, M8-8-B Hex Nylon Zinc Lock | F81032-2 | 3 | |
| | Guide, Board Return | 091076 | 1 | |
| 13 | Guide Weldment, Board Return | 091067-1 | 1 | |
| 14 | Bar Weldment, Board Guide Upper | 091070-1 | 8 | |
| 15 | Bar, Board Guide Lower Aluminium | 091071 | 8 | |
| 16 | Rod, Board Return Guide | 091074 | 1 | |
| 17 | Washer, M16, Flat Zinc | F81058-1 | 10 | |
| 18 | Bolt, M10x25 8.8, Hex Head, Full Thrd, Zinc | F81003-31 | 2 | |
| 19 | Washer, 10,5 Fe/Zn5 | F81055-6 | 2 | |
| 20 | Bolt, M10x60 -8.8, Hex Head, Full Thrd, Zinc | F81003-10 | 8 | |
| 21 | Washer, M10, Flat Zinc | F81055-1 | 16 | |
| 22 | Nut, M10, Nylon Hex Zinc Lock | F81033-1 | 8 | |
| 23 | Washer, Special | 092756-1 | 3 | |
| 24 | Bolt, M12x120, Hex Head, Full Thrd, Zinc | F81004-38 | 6 | |
| 25 | Washer, 13 Zinc | F81056-1 | 20 | |
| 26 | Nut, M12 Hex Nylon Zinc Lock | F81034-2 | 10 | |
| 27 | Bolt, M12x100, Hex Head, Full Thrd, Zinc | F81004-3 | 4 | |

4 Saw Head

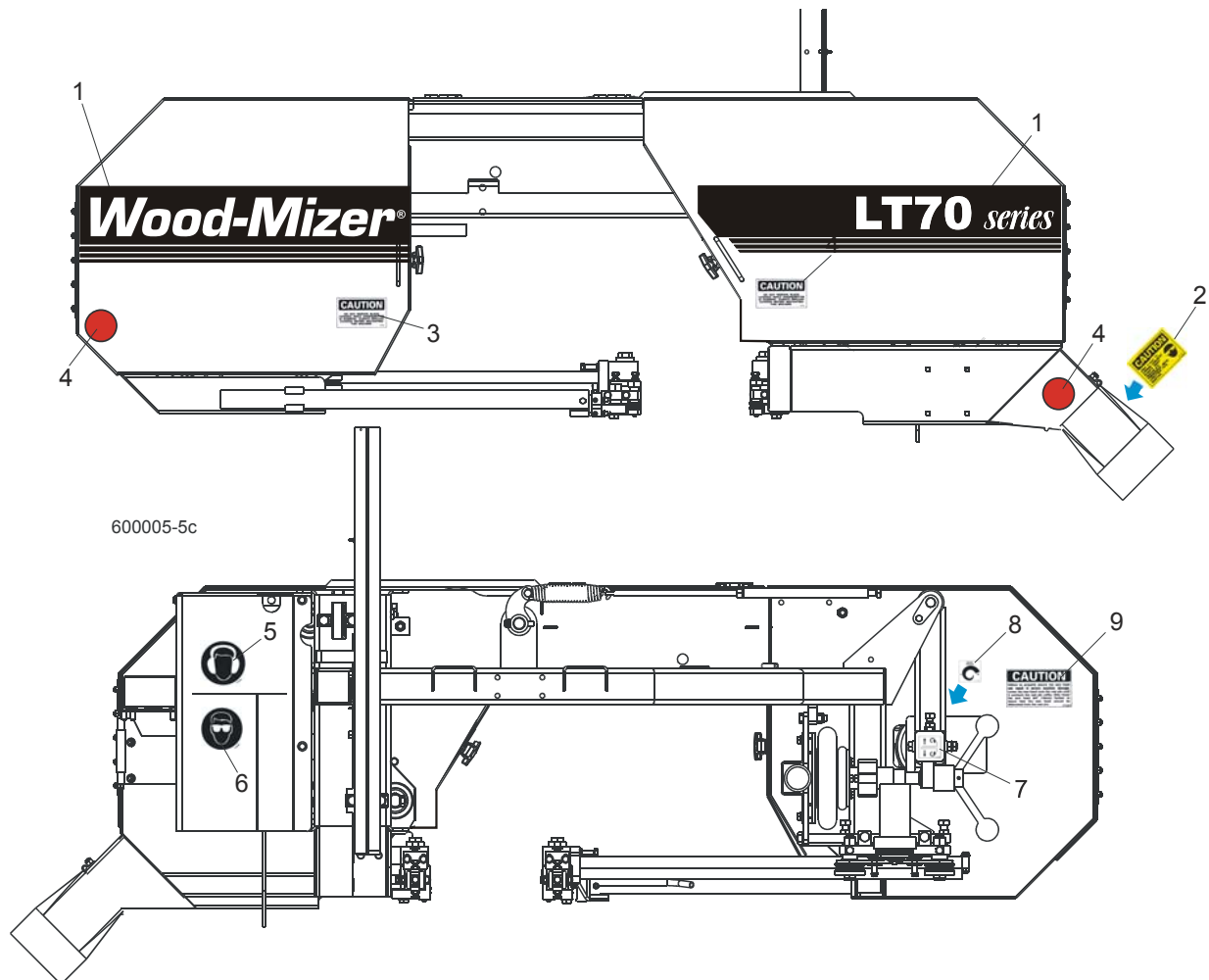
Water Lube Assembly

4.4 Water Lube Assembly



| REF | DESCRIPTION (◆ Indicates Parts Available In Assemblies Only) | PART # | QTY. | |
|-----|--|-----------|------|---|
| 1 | STRAP, 20" RUBBER | P11668 | 2 | |
| 2 | BOLT, 1/4-20 X 1" CARRIAGE HEAD | F05005-34 | 2 | |
| 3 | NUT, 1/4-20 HEX LOCK | F05010-21 | 2 | |
| 4 | BOTTLE, 5-GALLON WATER LUBE | 014637 | 1 | ◆ |
| 5 | CAP, WATER LUBE BOTTLE BUTTRESS THREAD | 014773 | 1 | |
| 6 | FITTING, 3/4FPT X 3/4MPT | 014636 | 1 | |
| 7 | FITTING, WATER LUBE SHUTOFF VALVE | 014100 | 1 | |
| 8 | FILTER, WATER LUBE | 016086 | 1 | |
| 9 | FITTING, 5/8" NPT TO 3/8" HOSE BARB | 014113 | 1 | |
| 10 | LUBEMIZER PARTS/HOSES (SEE LUBEMIZER OPTION MANUAL) | | | |

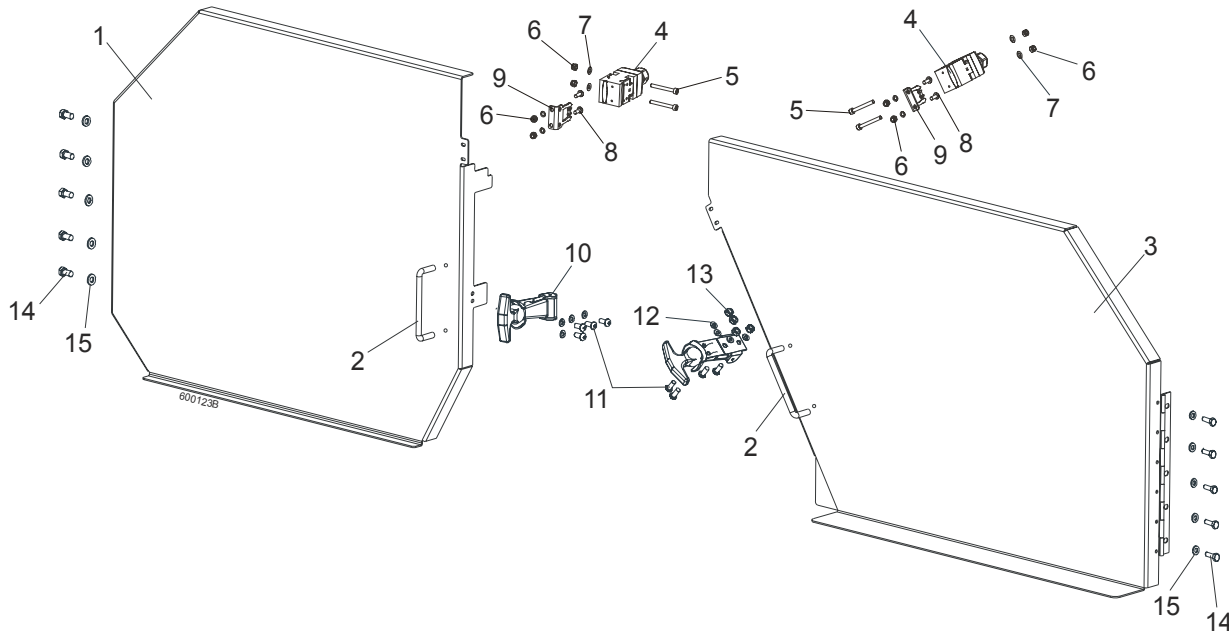
4.5 Saw Head Decals



| REF | DESCRIPTION (◆ Indicates Parts Available In Assemblies Only) | PART # | QTY. |
|-----|--|---------|------|
| 1 | DECAL, LT80 LOGO | 087932 | 1 |
| 1 | DECAL, LT70 LOGO | 092764 | 1 |
| 2 | DECAL, SAWDUST CHUTE CAUTION | P11754 | 1 |
| 3 | DECAL, BLADE COVERS DANGER | S20039 | 2 |
| 4 | REFLECTOR, 2" RED | P07452 | 2 |
| 5 | DECAL, EYE WARNING | S12004G | 1 |
| 6 | DECAL, EAR WARNING | S12005G | 1 |
| 7 | DECAL, BLADE ALIGNMENT | P11789 | 1 |
| 8 | DECAL, BLADE TENSION SCREW | P11790 | 1 |
| 9 | DECAL, SAW HEAD REST CAUTION | S12581 | 1 |

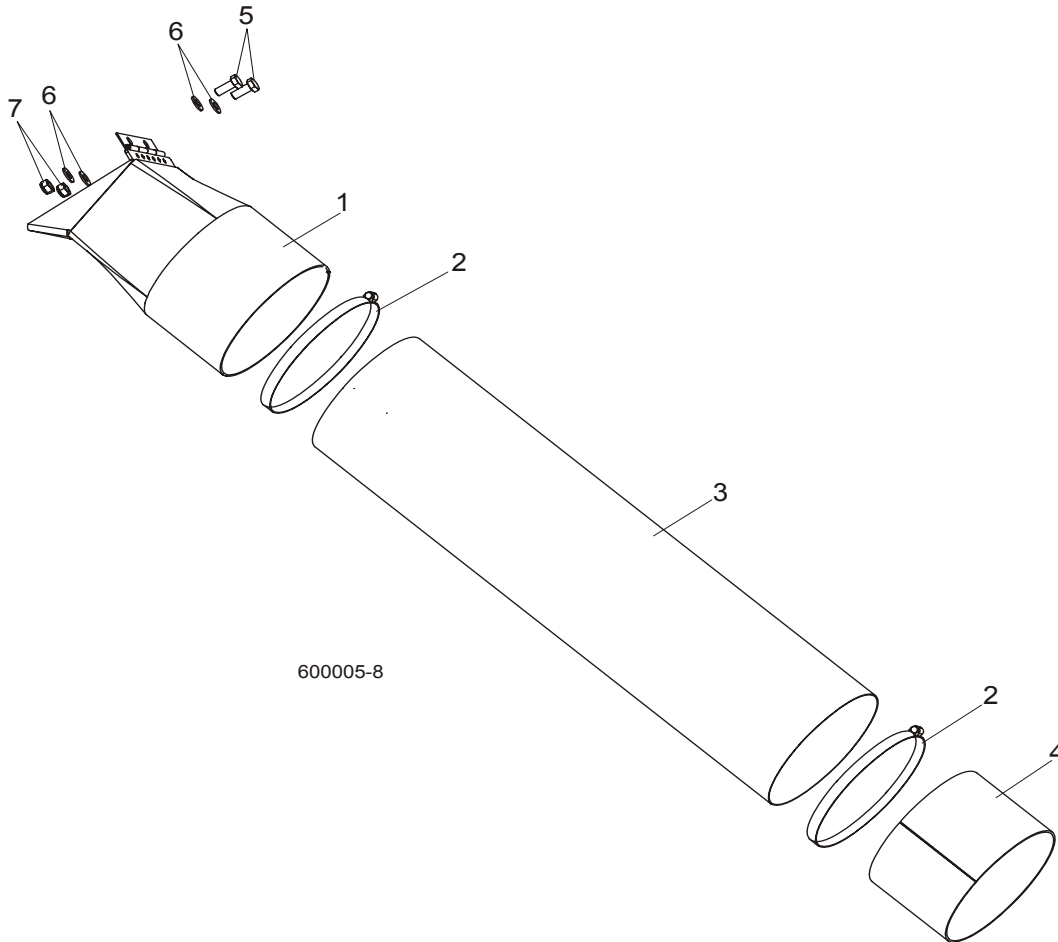
4 Saw Head Blade Housing Covers

4.6 Blade Housing Covers



| REF | DESCRIPTION (◆ Indicates Parts Available In Assemblies Only) | PART # | QTY. |
|-----|--|-----------|------|
| | COVER ASSEMBLY, IDLE SIDE BLADE HOUSING | 088920 | 1 |
| 1 | Cover Assembly, Idle Side Blade Housing, Ptd | 088915-1 | 1 |
| 2 | Handle, Blade Housing Cover | P08065 | 1 |
| | COVER ASSEMBLY, DRIVE SIDE BLADE HOUSING | 088921 | 1 |
| 3 | Cover Assembly, Drive Side Blade Housing, Ptd | 088917-1 | 1 |
| 2 | Handle, Blade Housing Cover | P08065 | 1 |
| 4 | SAFETY SWITCH, AZ17-11ZRK | 094232 | 2 |
| 5 | BOLT, M4 X 35-8.8 SOCKET HEAD | F81011-34 | 4 |
| 6 | NUT, M4-B HEX NYLON ZIN | F81028-2 | 8 |
| 7 | WASHER 4,3 ZINC, FLAT | F81051-2 | 8 |
| 8 | SCREW, M4 X 12-5.8 | F81011-41 | 4 |
| 9 | KEY, AZ17/170-B5 SAFETY SWITCH | 094422 | 4 |
| 10 | LATCH, FLEXIBLE DRAW | 014829 | 2 |
| 11 | BOLT, M5X12-5.8 | F81000-5 | 8 |
| 12 | WASHER 5,3 ZINC FLAT | F81052-1 | 8 |
| 13 | NUT M5-8 DIN 985 ZINC | F81030-2 | 8 |
| 14 | BOLT, M6X16 8.8 HEX HEAD FULL THREAD ZINC | F81001-15 | 10 |
| 15 | WASHER 6.4 ZINC FLAT | F81053-1 | 10 |

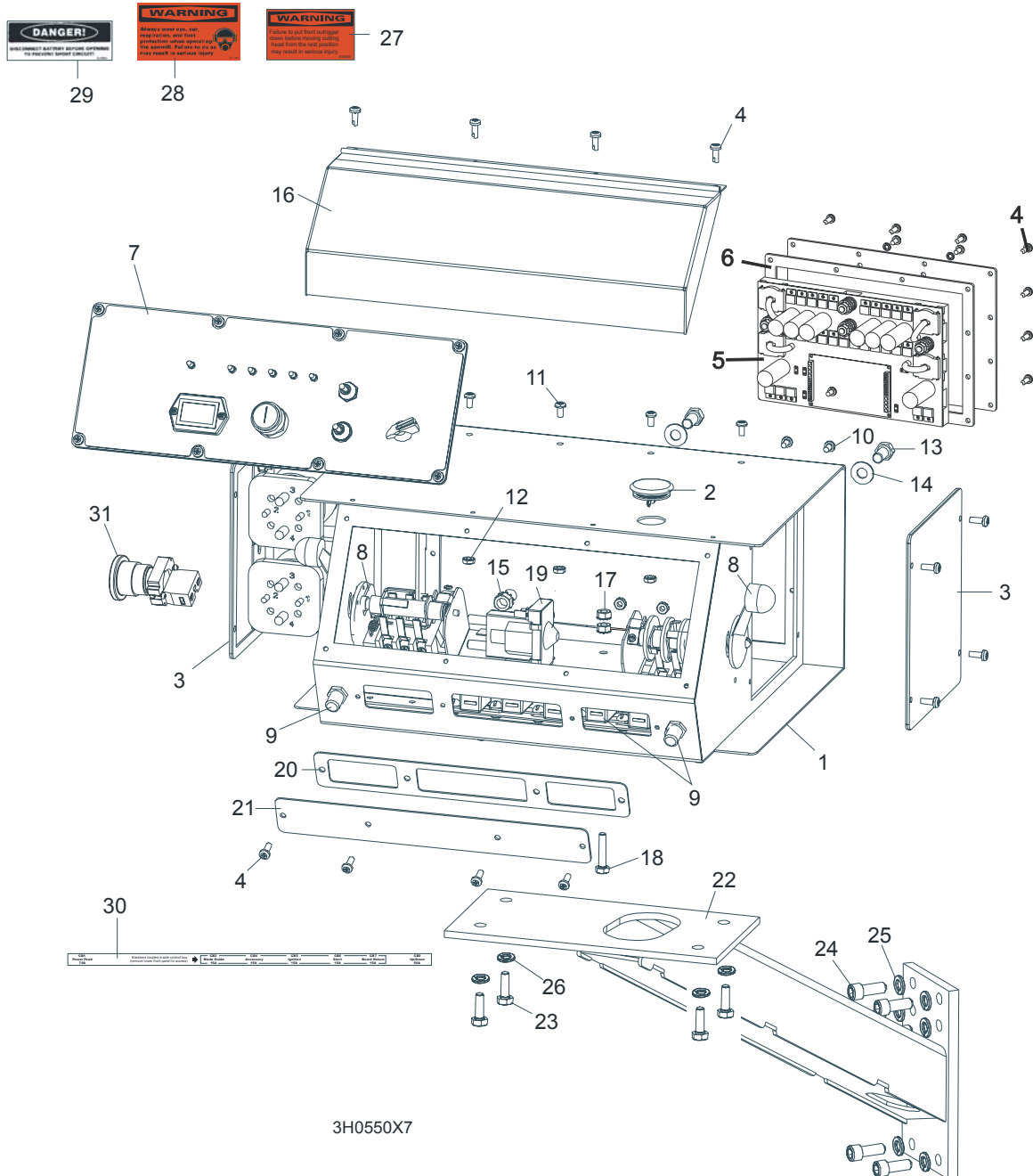
4.7 Sawdust Chute



| REF | DESCRIPTION (◆ Indicates Parts Available In Assemblies Only) | PART # | QTY. | |
|-----|--|----------|------|--|
| 1 | CHUTE WELDMENT, SAWDUST | 089352-1 | 1 | |
| 2 | CLAMP, 152 MM | 089358 | 2 | |
| 3 | TUBE, SAWDUST CHUTE | 090153 | 1 | |
| 4 | TUBE, CHUTE END | 090126-1 | 1 | |
| 5 | BOLT, M8X20-8.8-B HEX HEAD FULL THREAD ZINC | F81002-4 | 2 | |
| 6 | WASHER 8.4 ZINC FLAT | F81054-1 | 4 | |
| 7 | NUT, M8-8-B HEX NYLON ZINC LOCK | F81032-2 | 2 | |

SECTION 5 CONTROL & BATTERY BOXES

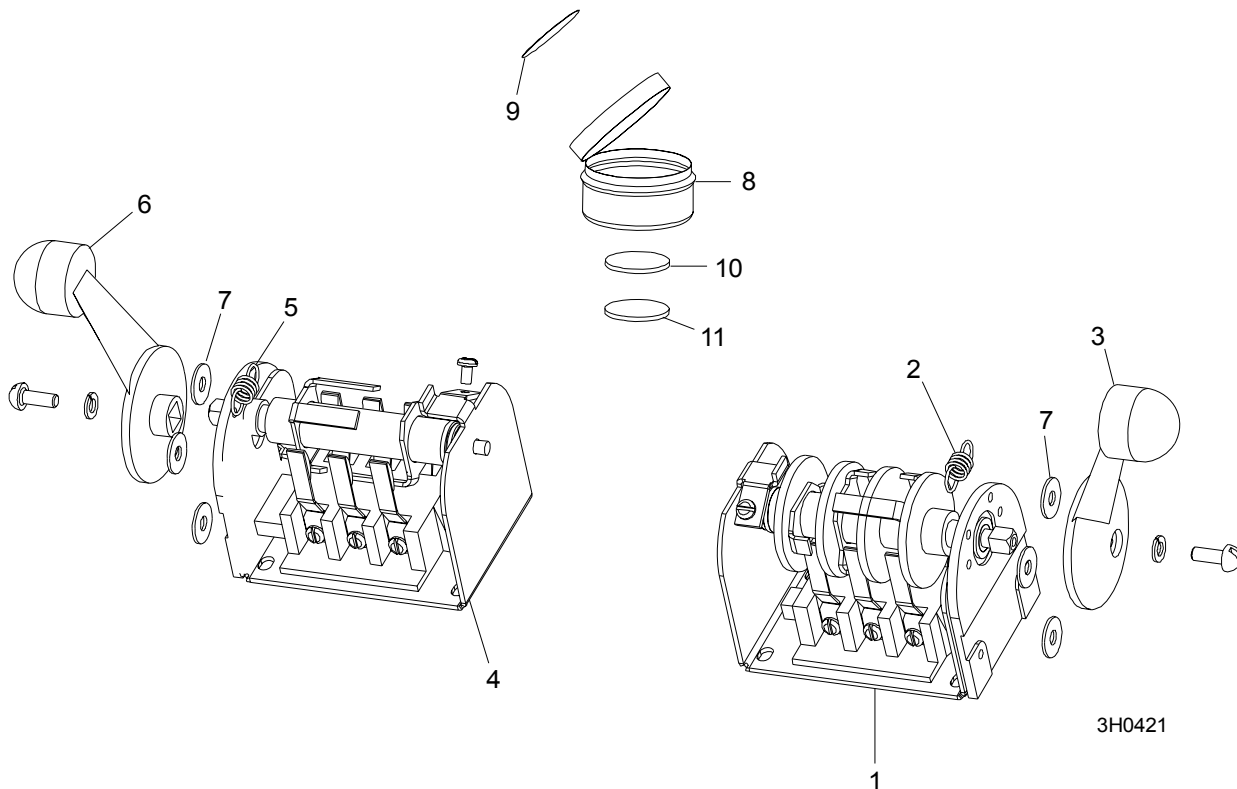
5.1 Control Assembly (Gas/Diesel)



| REF | DESCRIPTION (◆ Indicates Parts Available In Assemblies Only) | PART # | QTY. |
|-----|--|--------|------|
| | CONTROL BOX ASSEMBLY, D42 | 095000 | 1 |

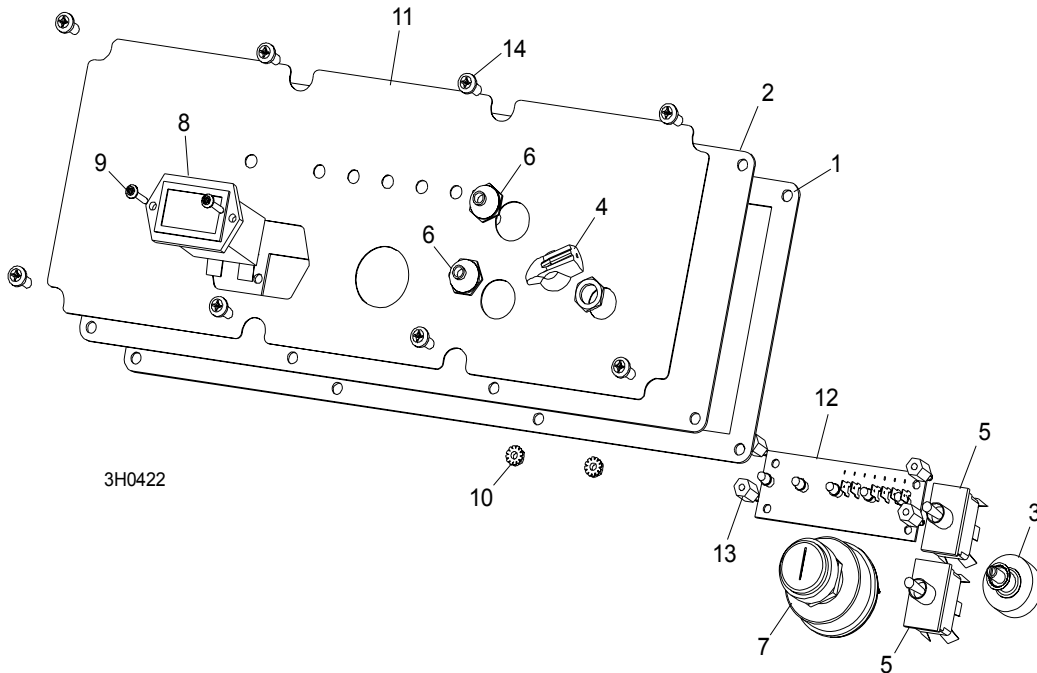
| | | | | |
|----|--|------------|----|--|
| 1 | DC Control Box | 095012-1 | 1 | |
| 2 | Plug, AS075 Oiltite | E20570 | 1 | |
| 3 | Solenoid Parts (See Section 5.5) | | | |
| 4 | Screw, #10-24 x 1/2" Pan Head | F05015-17 | 16 | |
| 5 | Panel Assembly, Power Feed Control | 095010-1 | 1 | |
| | Circuit Board, Control Box Power Feed | 051667 | 1 | |
| 6 | Gasket, Rear Access Panel | 095011 | 1 | |
| 7 | Front Control Panel & Wiring Harnesses (Section 5.3) | | | |
| 8 | Drum Switches (Section 5.2) | | | |
| 9 | Circuit Breakers (Section 5.4) | | | |
| 10 | Screw, #10-24 x 3/8" Phillips Pan Head | F05004-3 | 2 | |
| 11 | Screw, #10-24 x 3/8" Phillips Pan Head Machine with Neo Washer | F05004-148 | 4 | |
| 12 | Nut, #10-24 Self Locking | F05010-14 | 6 | |
| 13 | Bolt, 3/8-16 x 3/4" Hex Head | F05007-27 | 2 | |
| 14 | Washer, 10.5 Flat | F81055-1 | 2 | |
| 15 | Nut, 3/8" Lock Nut | F05010-19 | 2 | |
| 16 | Cover, Control Box Hinged | 015304 | 1 | |
| 17 | Nut, 1/4-20 Self-locking | F05010-9 | 2 | |
| 18 | Bolt, 1/4-20 x 1 1/4" Hex Head Tap | F05005-3 | 1 | |
| 19 | Solenoid, 200A 12V SPST | 015470 | 1 | |
| | Diode Assembly, Solenoid Coil Chassis GND | 087496 | 1 | |
| 20 | Gasket, Front Access Panel | 015266 | 1 | |
| 21 | Panel, Control Box Front Access | 086704-1 | 1 | |
| 22 | MOUNT WELDMENT, STANDARD CONTROL BOX | 086732-1 | 1 | |
| 23 | NUT, 5/16-18 SELF-LOCKING HEX | F05010-20 | 4 | |
| 24 | BOLT, M10 X 25-8.8 SOCKET HEAD | F81003-32 | 4 | |
| 25 | WASHER, 10.2 SPLIT LOCK | F81055-2 | 4 | |
| 26 | WASHER, 3/8" EXTERIOR STAR LOCK | F05011-36 | 4 | |
| 27 | DECAL, FRONT OUTRIGGER WARNING | 015400 | 1 | |
| 28 | DECAL, EAR/EYE PROTECTION WARNING | S11753 | 1 | |
| 29 | DECAL, DISCONNECT BATTERY DANGER | S12002 | 1 | |
| 30 | DECAL, CIRCUIT BREAKER ID ('98 SUPER) | 024362 | 1 | |
| 31 | SWITCH, RED EMERGENCY STOP XALJ174F | E22703-2 | 1 | |

5.2 Drum Switches



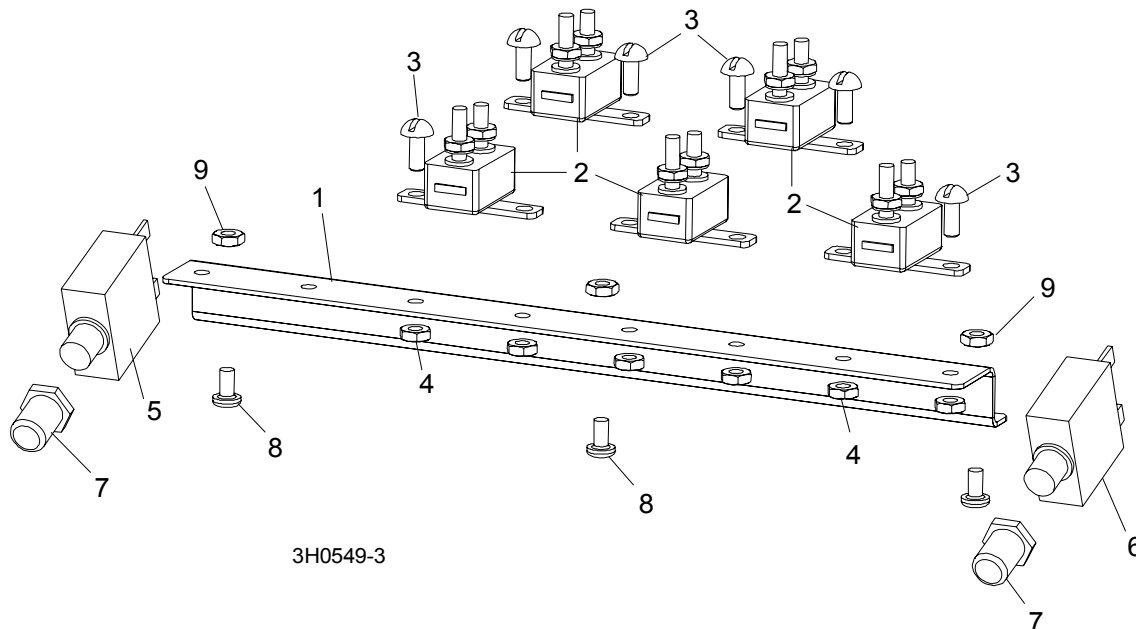
| REF | DESCRIPTION (◆ Indicates Parts Available In Assemblies Only) | PART # | QTY. | |
|-----|--|-----------|--------|---|
| | SWITCH ASSEMBLY, UP/DOWN DRUM | E20440 | 1 | |
| 1 | Switch, S12 Bulk Drum | E20440-B | 1 | ◆ |
| 2 | Spring, Drum Switch | P12570 | 1 | |
| 3 | Handle, Drum Switch Replacement | P12500 | 1 | |
| | SWITCH ASSEMBLY, POWER FEED DRUM | E20438 | 1 | |
| 4 | Switch, S10 Bulk Drum | E20438-B | 1 | ◆ |
| 5 | Spring, Drum Switch | P12570 | 1 | |
| 6 | Handle, Drum Switch Replacement | P12500 | 1 | |
| 7 | WASHER, #8 SAE FLAT | F05011-41 | 6 | |
| | CUP ASSEMBLY, DRUM SWITCH GREASE | A20463 | 1 | |
| 8 | Cup, Plastic Container | P20464 | 1 | ◆ |
| 9 | Decal, Grease Cup Label | P20467 | 1 | |
| 10 | Pad, Velcro Loop | P20466 | 1 | ◆ |
| 11 | Pad, Velcro Hook | P20465 | 1 | ◆ |
| | Grease, High Temp Drum Switch | P20468 | .011ml | ◆ |

5.3 Front Panel Assembly & Harnesses



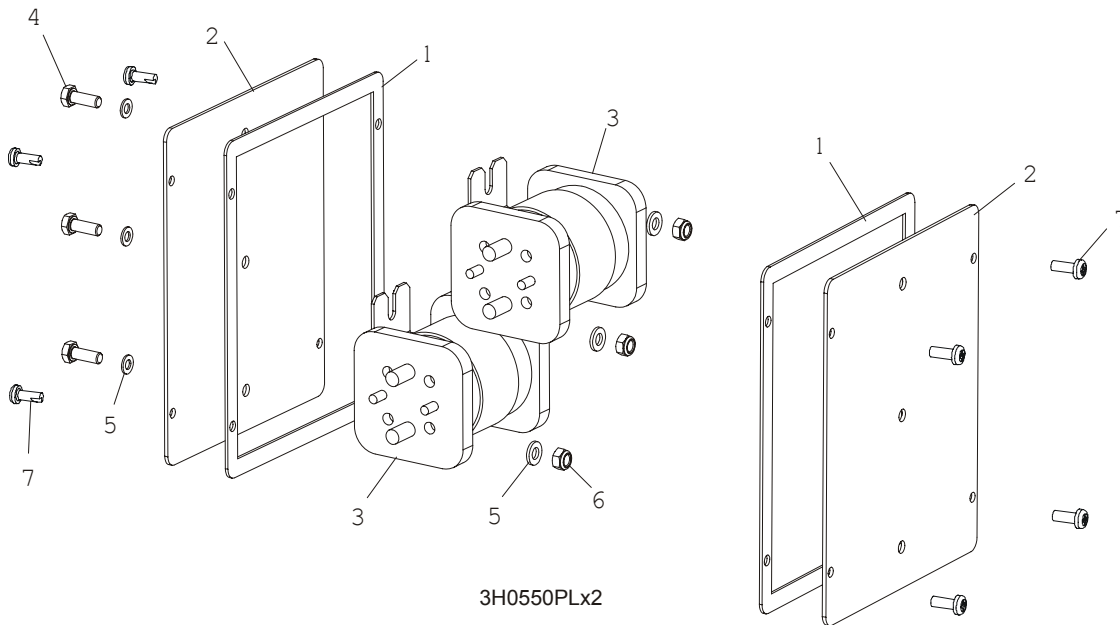
| REF | DESCRIPTION (◆ Indicates Parts Available In Assemblies Only) | PART # | QTY. |
|-----|--|-----------|------|
| | PANEL ASSEMBLY, CONTROL FRONT (E25) | 086760 | 1 |
| | PANEL ASSEMBLY, CONTROL FRONT (D42) | 087401 | 1 |
| 1 | Gasket, Front Panel | 088387 | 1 |
| 2 | Panel Weldment, Control | 015302 | 1 |
| 3 | Switch Assembly, Feed Rate | E20519 | 1 |
| 4 | Knob, Feed Rate With Set Screw | P06257 | 1 |
| 5 | Switch, Toggle | 024200 | 2 |
| 6 | Boot, Toggle Switch Rubber | P02575 | 2 |
| 7 | Switch, Key | P04350 | 1 |
| 8 | Meter, Hour | 015401 | 1 |
| 9 | Screw, 6-42 x 3/4" Socket Button Head Cap Stainless Steel | F05004-93 | 2 |
| 10 | Nut, 6-23 Self Locking | F05010-59 | 2 |
| 11 | Decal, Control Panel (E25) | 015271 | 1 |
| | Decal, Control Panel (D42) | 015269 | 1 |
| 12 | Board, LED Circuit (E25) | 015416 | 1 |
| | Board, LED Circuit (D42) | 015409 | 1 |
| 13 | Spacer, 1/2" #6 Threaded | 023147 | 4 |
| | HARNESS ASSEMBLY, UPPER WIRING (E25) | 024843 | 1 |
| | HARNESS ASSEMBLY, UPPER WIRING (D42) | 087107 | 1 |
| | HARNESS ASSEMBLY, LOWER WIRING (D42) | 087106 | 1 |
| | HARNESS ASSEMBLY, LOWER WIRING (E25) | 015421 | 1 |
| 14 | Screw, #10-24 x 1/2" Pan Head | F05015-17 | 8 |

5.4 Circuit Breakers



| REF | DESCRIPTION (◆ Indicates Parts Available In Assemblies Only) | PART # | QTY. |
|-----|--|-----------|------|
| | BREAKER ASSEMBLY, SAWMILL CONTROL CIRCUIT | 015621 | 1 |
| 1 | Rail, Circuit Breaker | 015310 | 1 |
| 2 | Breaker, 15 Amp Manual Reset | E20430 | 5 |
| 3 | Screw, #8-32 X 1/2" Slotted Head | F05004-12 | 6 |
| 4 | Nut, #8-32 Hex Self-Locking | F05010-41 | 6 |
| 5 | BREAKER, 70 AMP MANUAL RESET PANEL MOUNT | 015527 | 1 |
| 6 | BREAKER, 50 AMP MANUAL RESET PANEL MOUNT | 021256 | 1 |
| 7 | BOOT, CIRCUIT BREAKER | 021253 | 2 |
| 8 | SCREW, #10-24 X 3/8" PHILLIPS PAN HEAD | F05004-3 | 3 |
| 9 | NUT, #10-24 SELF LOCKING | F05010-14 | 3 |

5.5 Solenoids

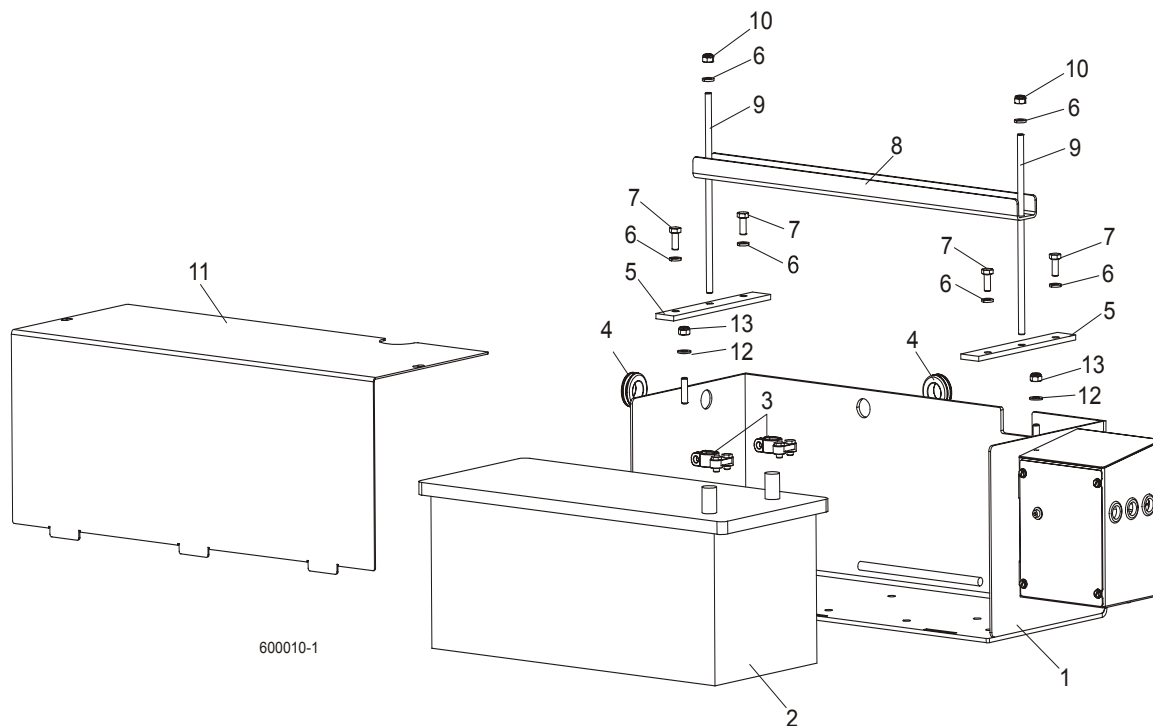


| REF | DESCRIPTION (◆ Indicates Parts Available In Assemblies Only) | PART # | QTY. |
|-----|--|-----------|------|
| 1 | GASKET, SIDE PANEL | 015274 | 2 |
| 2 | PANEL WELDMENT, SIDE | 015307 | 2 |
| 3 | SOLENOID, 200A 12V SPST HYDRAULIC PUMP | 015470 | 2 |
| 4 | BOLT, M6X16 5.8 HEX HEAD FULL THREAD ZINC | F81001-14 | 3 |
| 5 | WASHER, 6.4 FLAT ZINC | F81053-1 | 6 |
| 6 | NUT, M6-8-B HEX NYLON ZINC LOCK | F81031-2 | 3 |
| | DIODE ASSEMBLY, SOLENOID COIL CHASSIS GND | 087496 | 4 |
| 7 | BOLT, #10-24 X 1/2 PHILLIPS PAN HEAD TYPE 23 | F05015-17 | 8 |

5 Control & Battery Boxes

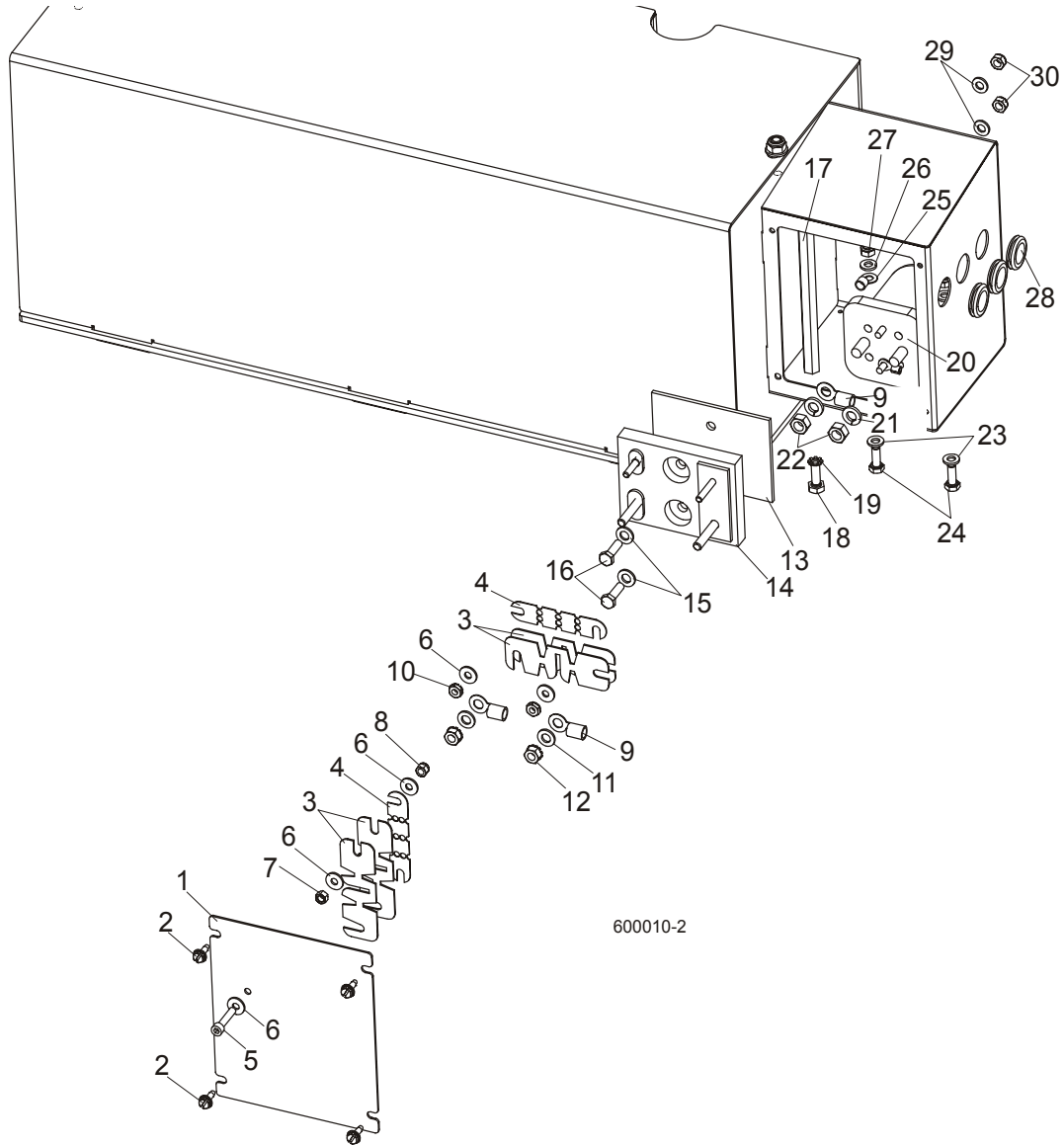
Battery Box Assembly (Sawmills w/D42 Engine Only)

5.6 Battery Box Assembly (Sawmills w/D42 Engine Only)



| REF | DESCRIPTION (◆ Indicates Parts Available In Assemblies Only) | PART # | QTY. |
|-----|--|----------|------|
| | BATTERY BOX - COMPLETE | 089794 | 1 |
| 1 | Box Weldment, Battery Painted | 088677-1 | 1 |
| 2 | Battery, 12V 180Ah "BANNER" | 089369 | 1 |
| 3 | Terminal, Battery | P05085 | 2 |
| 4 | Grommet, 22mm Dia. Rubber | 087400 | 2 |
| 5 | Bar, Battery Retainer Painted | 088538-1 | 2 |
| 6 | Washer, 8.2 Split Lock Zinc | F81054-4 | 6 |
| 7 | Bolt, M8x20-5.8 Hex Head Full Thread Zinc | F81002-1 | 4 |
| 8 | Bracket, Battery Hold-Down Painted | 088357-1 | 1 |
| 9 | Bolt, Battery Hold-Down Painted | 088356-1 | 2 |
| 10 | Nut, M8-8-B Hex Nylon Zinc Lock | F81032-2 | 2 |
| 11 | COVER, BATTERY BOX PAINTED | 088362-1 | 1 |
| 12 | WASHER, 8.4 FLAT ZINC | F81054-1 | 2 |
| 13 | NUT, M8-8-B HEX NYLON ZINC LOCK | F81032-2 | 2 |

5.7 Fuse Box Assembly (Sawmills w/D42 Engine Only)



| REF | DESCRIPTION (◆ Indicates Parts Available In Assemblies Only) | PART # | QTY. | |
|-----|--|----------|------|--|
| 1 | COVER, FUSE BOX PAINTED | 086272-1 | 1 | |
| 2 | SCREW, #10-24x1/2 SELF-TAPPING | F05015-7 | 4 | |
| 3 | FUSE, 12V 225 AMP | P11550 | 4 | |
| 4 | FUSE LINK, 12V 150 AMP | 023361 | 2 | |
| 5 | SCREW, M5x25-8.8 HEX SOCKET HEAD CAP ZINC | F81000-7 | 1 | |
| 6 | WASHER, 5.5 SPECIAL FLAT ZINC | F81052-3 | 5 | |
| 7 | NUT, M5-8 HEX ZINC | F81030-1 | 1 | |
| 8 | NUT, M5-8 DIN 985 ZINC-PLATED | F81030-2 | 1 | |

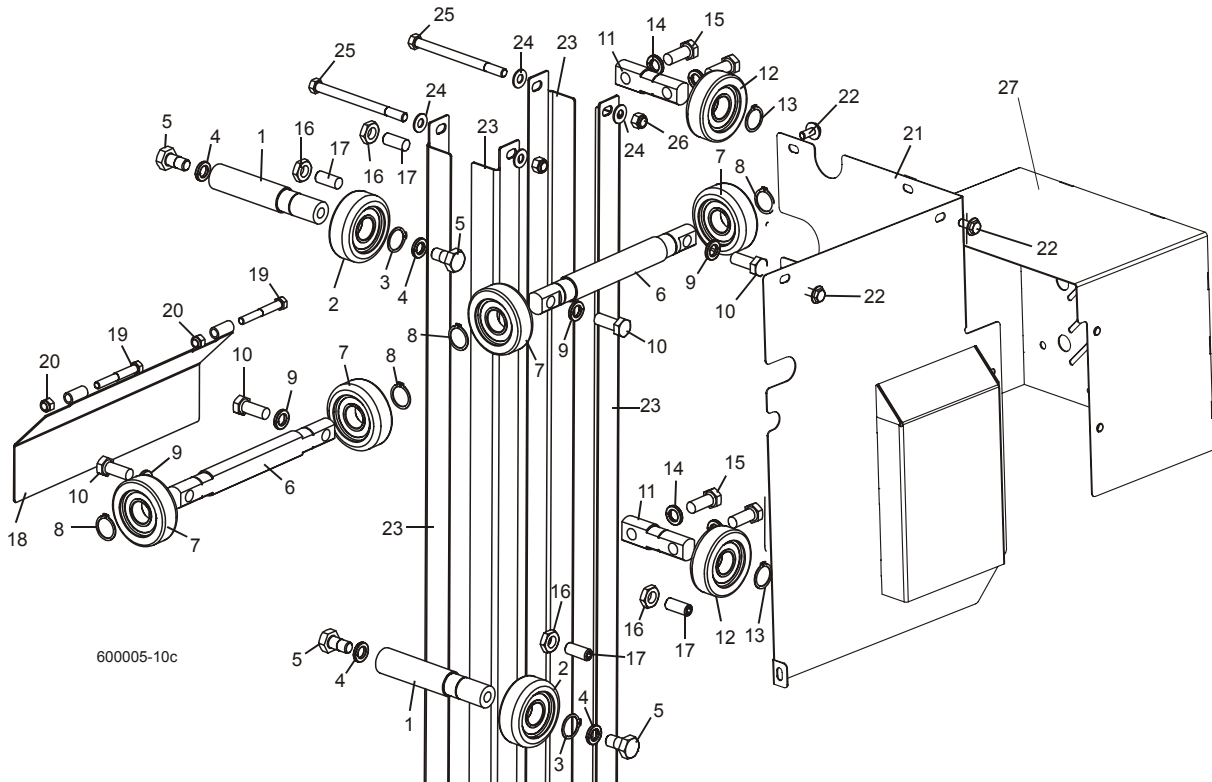
5 Control & Battery Boxes

Fuse Box Assembly (Sawmills w/D42 Engine Only)

| | | | | |
|----|---|-----------|---|--|
| 9 | TERMINAL, KO35/8 RING | F81066-3 | 3 | |
| 10 | NUT, #10-20 SELF-LOCKING ZINC-PLATED | F05010-14 | 2 | |
| 11 | WASHER, 7.4 FLAT ZINC | F81056-11 | 2 | |
| 12 | NUT, 1/4-20 SELF-LOCKING ZINC-PLATED | F05010-9 | 2 | |
| 13 | PLATE, 1/8" PLASTIC (FUSE BOX) | 015287 | 1 | |
| 14 | BLOCK ASSEMBLY, SUPER FUSE | 015288 | 1 | |
| 15 | WASHER, 7.4 FLAT ZINC | F81056-11 | 2 | |
| 16 | BOLT, M6X20-8.8 HEX HEAD FULL THREAD ZINC | F81001-2 | 2 | |
| 17 | NUT, FUSE STUD EXTENDED | 015517 | 1 | |
| 18 | BOLT, 1/4-20 X 3/4" HEX HEAD FULL THREAD ZINC | F05005-1 | 1 | |
| 19 | WASHER, 6.4 EXTERIOR STAR ZINC LOCK | F81053-2 | 1 | |
| 20 | SOLENOID, 200A 12V SPST CONTINUOUS DUTY | 015470 | 1 | |
| 21 | WASHER, 8.2 SPLIT LOCK ZINC | F81054-4 | 2 | |
| 22 | NUT, 5/16-24 HEX ZINC | F05010-28 | 2 | |
| 23 | WASHER, 6.4 FLAT ZINC | F81053-1 | 2 | |
| 24 | BOLT, M6X16 8.8 HEX HEAD FULL THREAD ZINC | F81001-15 | 2 | |
| 25 | TERMINAL, KO1/8 RING | F05092-7 | 1 | |
| 26 | WASHER, 6.4 FLAT ZINC | F81053-1 | 2 | |
| 27 | NUT, M6-8-B HEX NYLON ZINC LOCK | F81031-2 | 2 | |
| 28 | GROMMET, 5/8" ID RUBBER | P11764 | 3 | |
| 29 | WASHER, 6.4 FLAT ZINC | F81053-1 | 2 | |
| 30 | NUT, M6-8-B HEX NYLON ZINC LOCK | F81031-2 | 2 | |

SECTION 6 UP/DOWN SYSTEM

6.1 Up/Down Rollers & Covers



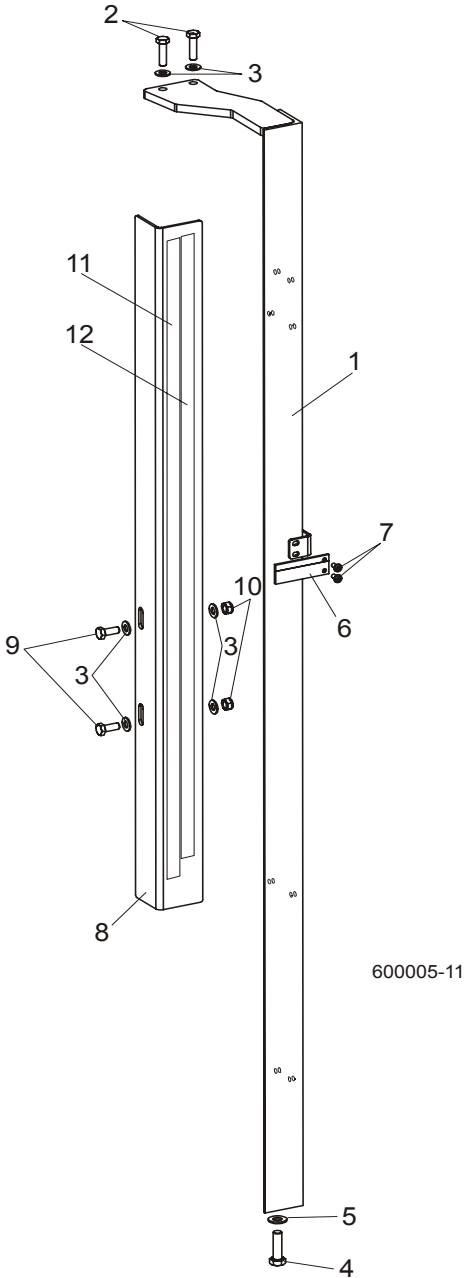
| REF | DESCRIPTION (◆ Indicates Parts Available In Assemblies Only) | PART # | QTY. |
|-----|--|-----------|------|
| | ROLLER ASSEMBLY, INSIDE UP/DOWN | 089456 | 2 |
| 1 | Shaft, Inside Up/Down Roller | 088817-1 | 1 |
| 2 | Bearing, CBK-468 Rolling | 088433 | 1 |
| 3 | Ring, Z30 Spring Retaining | F81090-23 | 1 |
| 4 | Washer, 13 Zinc Flat | F81056-1 | 2 |
| 5 | Bolt, M12x25-8.8 Hex Head Full Thread Zinc | F81004-31 | 2 |
| | ROLLER ASSEMBLY, OUTSIDE UP/DOWN | 089454 | 2 |
| 6 | Shaft, Long Up/Down Roller | 088815-1 | 1 |
| 7 | Bearing, CBK-468 Rolling | 088433 | 2 |
| 8 | Ring, Z30 Spring Retaining | F81090-23 | 2 |
| 9 | Washer, 10.5 Zinc Flat | F81055-1 | 3 |
| 10 | Bolt, M10x35-8.8 Hex Head Full Thread Zinc | F81003-17 | 3 |
| | ROLLER ASSEMBLY, SHORT UP/DOWN | 089455 | 2 |
| 11 | Shaft, Short Up/Down Roller | 088816-1 | 1 |
| 12 | Bearing, CBK-468 Rolling | 088433 | 1 |
| 13 | Ring, Z30 Spring Retaining | F81090-23 | 1 |

6

Up/Down System*Up/Down Rollers & Covers*

| | | | | |
|----|--|-----------|----|--|
| 14 | Washer, 10.5 Zinc Flat | F81055-1 | 2 | |
| 15 | Bolt, M10x35-8.8 Hex Head Full Thread Zinc | F81003-17 | 2 | |
| 16 | NUT, M10-04-W HEX ZINC THIN | F81033-6 | 4 | |
| 17 | SCREW, GN 913.3-M10-40-MS SET | F81003-65 | 4 | |
| 18 | COVER WELDMENT, UP/DOWN ROLLER | 089483-1 | 1 | |
| 19 | BOLT, M8X16-8.8-B HEX HEAD FULL THREAD ZINC | F81002-20 | 4 | |
| 20 | WASHER, 8.4 ZINC FLAT | F81054-1 | 9 | |
| 21 | GUARD WELDMENT, RA-08 UP/DOWN GEAR BOX SIDE PTD | 091319-1 | 1 | |
| 22 | BOLT, M8X12-8.8 HEX HEAD FULL THREAD ZINC | F81002-6 | 5 | |
| 23 | ANGLE, MAST TUBE STAINLESS | 088492 | 4 | |
| 24 | WASHER, 10.5 ZINC FLAT | F81055-1 | 12 | |
| 25 | BOLT, M10X125-8.8 HEX HEAD ZINC | F81003-18 | 4 | |
| 26 | NUT, M10-8-B HEX NYLON ZINC LOCK | F81033-1 | 4 | |
| 27 | GUARD, UP/DOWN MOTOR PAINTED | 090501-1 | 1 | |

6.2 Blade Height Scale



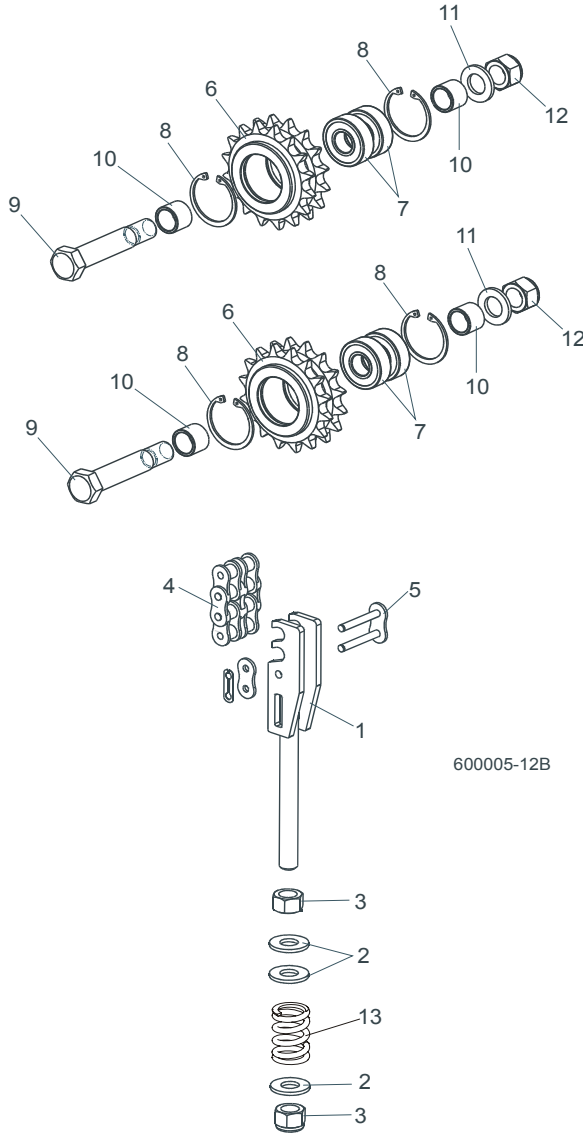
| REF | DESCRIPTION (◆ Indicates Parts Available In Assemblies Only) | PART # | QTY. |
|-----|--|-----------|------|
| 1 | MOUNT WELDMENT, SCALE PAINTED | 088554-1 | 1 |
| 2 | BOLT, M8 x 30-8.8-B HEX HEAD FULL THREAD ZINC | F81002-7 | 2 |
| 3 | WASHER, 8.4 ZINC FLAT | F81054-1 | 6 |
| 4 | BOLT, M10 x 35-8.8 HEX HEAD FULL THREAD ZINC | F81003-17 | 1 |
| 5 | WASHER, 10.5 ZINC FLAT | F81055-1 | 1 |

6 Up/Down System

Blade Height Scale

| | | | | |
|----|---|----------|---|--|
| 6 | INDICATOR, BLADE HEIGHT SCALE | 094821 | 1 | |
| 7 | SCREW, #10-24 X 3/8 PHILLIPS PAN HEAD ZINC | F05004-3 | 2 | |
| 8 | ANGLE, SCALE MOUNT | 088785-1 | 1 | |
| 9 | BOLT, M8 X 20-8.8-B HEX HEAD FULL THREAD ZINC | F81002-4 | 2 | |
| 10 | NUT, M8-8-B HEX NYLON ZINC LOCK | F81032-2 | 2 | |
| 11 | DECAL, METRIC SCALE | S11711 | 1 | |
| 12 | DECAL, 16-40 MM METRIC SCALE | P12040-1 | 1 | |

6.3 Up/Down Chain & Sprockets



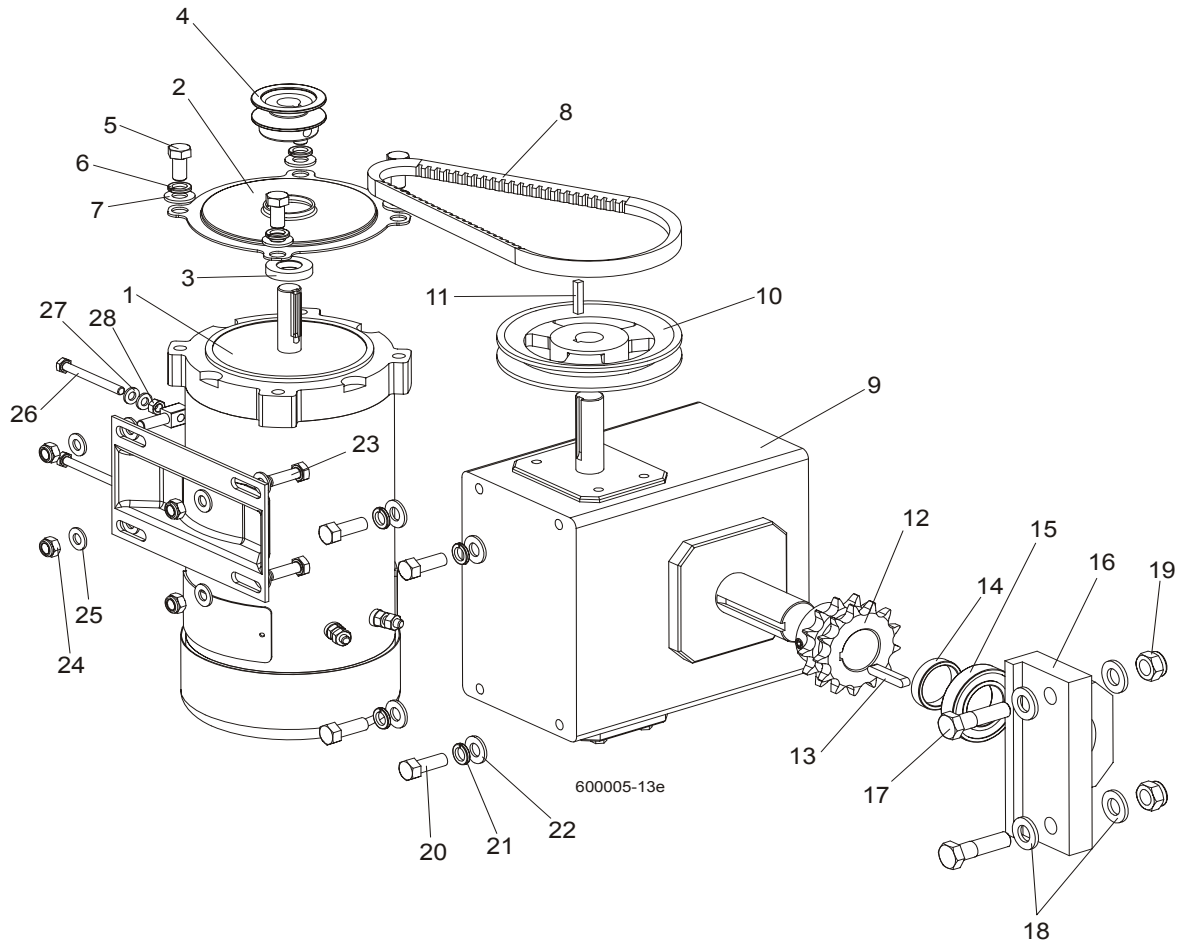
| REF | DESCRIPTION (◆ Indicates Parts Available In Assemblies Only) | PART # | QTY. |
|-----|--|----------|------|
| 1 | TENSIONER WELDMENT, UP/DOWN CHAIN ZINC | 088551-1 | 1 |
| 2 | WASHER, 13 ZINC FLAT | F81056-1 | 3 |
| 3 | NUT, M12-8 HEX NYLON ZINC LOCK | F81034-2 | 2 |
| 4 | CHAIN, 10B-2 113-LINK UP/DOWN | 088672 | 1 |
| 5 | LINK, 10B-2Pz MASTER | 088673 | 1 |
| | SPROCKET ASSEMBLY, UP/DOWN IDLER | 088470 | 2 |
| 6 | Sprocket, Zinc | 088471-1 | 1 |
| 7 | Bearing, 6203-2RS FLT Rolling | 086114 | 2 |

6 Up/Down System

Up/Down Chain & Sprockets

| | | | | |
|-----------|--|-----------|---|--|
| 8 | Ring, W40 Spring Retaining | F81090-3 | 2 | |
| 9 | Bolt, M16D1F6 x 90-8.8 Hex Fit Short Thread Zinc | F81006-15 | 1 | |
| 10 | Spacer, Idler Zinc | 088792-1 | 2 | |
| 11 | Washer, 17 Zinc Flat | F81058-1 | 1 | |
| 12 | Nut, M16-8 Hex Nylon Zinc Lock | F81036-2 | 1 | |
| 13 | Spring, 14x30x3,2 | 090797 | 1 | |

6.4 Up/Down Drive Assembly



| REF | DESCRIPTION (◆ Indicates Parts Available In Assemblies Only) | PART # | QTY. |
|-----|--|-----------|------|
| | UP/DOWN DRIVE ASSEMBLY, COMPLETE | 092812 | 1 |
| | Motor W/Mount Bracket, DC Up/Down | 092810 | 1 |
| 1 | Motor, 3/4HP 12VDC | 015174 | 1 |
| 2 | Cover, Up/Down Motor | 034475 | 1 |
| 3 | Seal, CR6315 | 034501 | 1 |
| 4 | Pulley, AK20 x 5/8" Bore | 036179 | 1 |
| 5 | Bolt, 3/8-16 x 3/4" Hex Head | F05007-27 | 4 |
| 6 | WASHER, 10.2 SPLIT ZINC LOCK | F81055-2 | 4 |
| 7 | WASHER, 10.5 ZINC FLAT | F81055-1 | 4 |
| 8 | V-Belt AVX13x600La (Conti) | 092813 | 1 |
| | Gear Box, Complete, Up/Down Drive | 092807 | 1 |
| 9 | Gear Box, B226-60-2-1L | 034908 | 1 |
| 10 | Pulley, AK51 x 3/4" Bore | 015256 | 1 |

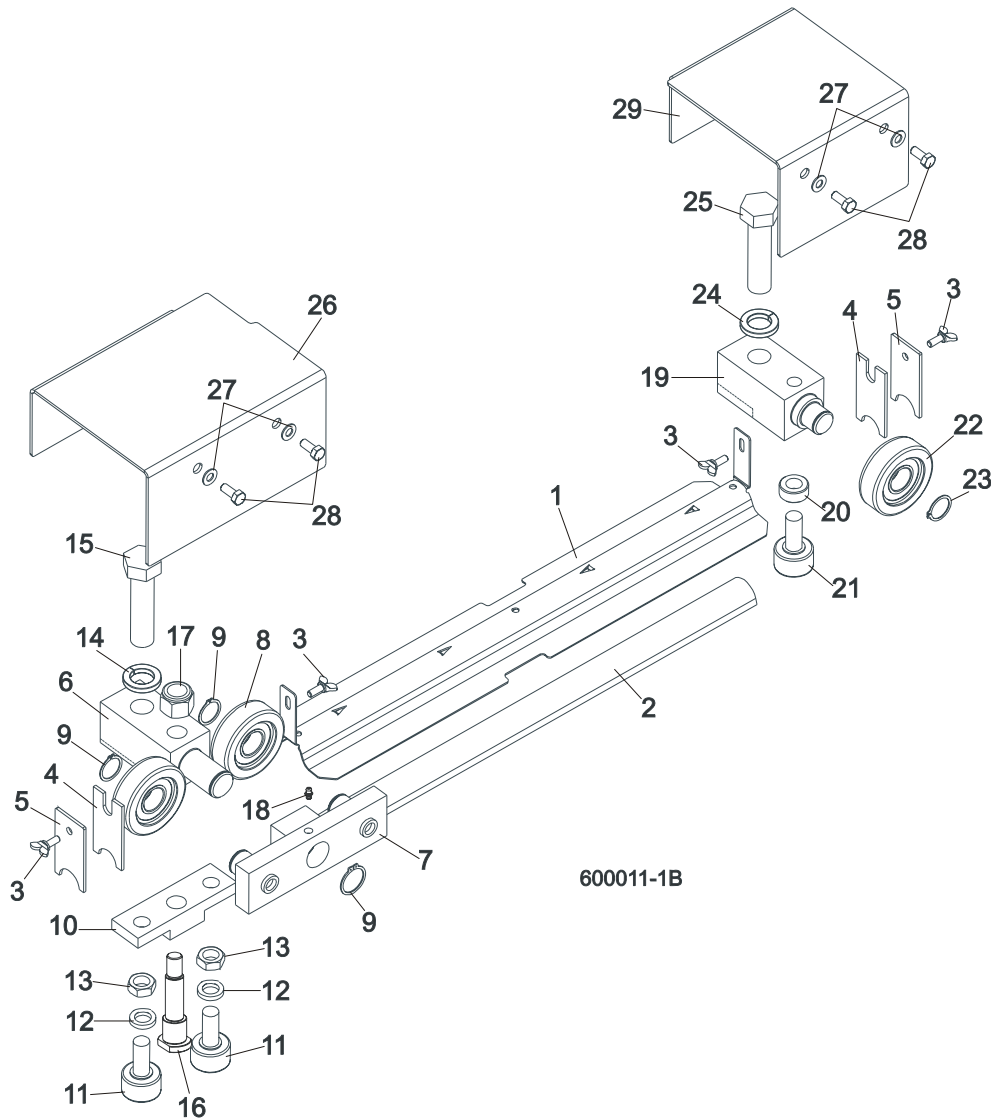
6

Up/Down System*Up/Down Drive Assembly*

| | | | | |
|----|---------------------------------------|-----------|---|--|
| 11 | Key, 3/16" Square x 1" Long | S31027 | 1 | |
| 12 | Sprocket, PTD | 092808-1 | 1 | |
| 13 | Key, A 1/4"x1/4"x1,5" | 092814 | 1 | |
| 14 | Spacer, zink plated | 092811-1 | 1 | |
| 15 | Bearing, R20-2RS | 036007 | 1 | |
| 16 | Housing, Bearing R20-2RS, MALOWANA | 092809-1 | 1 | |
| 17 | Bolt M12x45-8.8-Fe/Zn5 | F81004-32 | 2 | |
| 18 | Washer, 13 SAE Flat | F81056-1 | 4 | |
| 19 | Nut, M12-8 hex Nylon Lock | F81034-2 | 2 | |
| 20 | Bolt, 3/8-16 x 1" Hex Head | F05007-7 | 4 | |
| 21 | WASHER, 10.2 SPLIT ZINC LOCK | F81055-2 | 4 | |
| 22 | Washer, 10.5 Zinc Flat | F81055-1 | 4 | |
| 23 | Bolt, M8 x 25mm Hex Head Gr 5.8 Zinc | F81002-5 | 2 | |
| 24 | Nut, M8-8-B | F81032-2 | 4 | |
| 25 | Washer, 8.4 FLAT | F81054-1 | 8 | |
| 26 | Sruba, M6x60-8.8-Fe/Zn5 PN-85/M-82105 | F81001-9 | 2 | |
| 27 | Washer 6.4 Zinc Flat | F81053-1 | 4 | |
| 28 | Nut M6-8-Fe/Zn5 | F81031-1 | 2 | |

SECTION 7 FEED SYSTEM & TRACK ROLLERS

7.1 Upper Track Rollers And Wipers



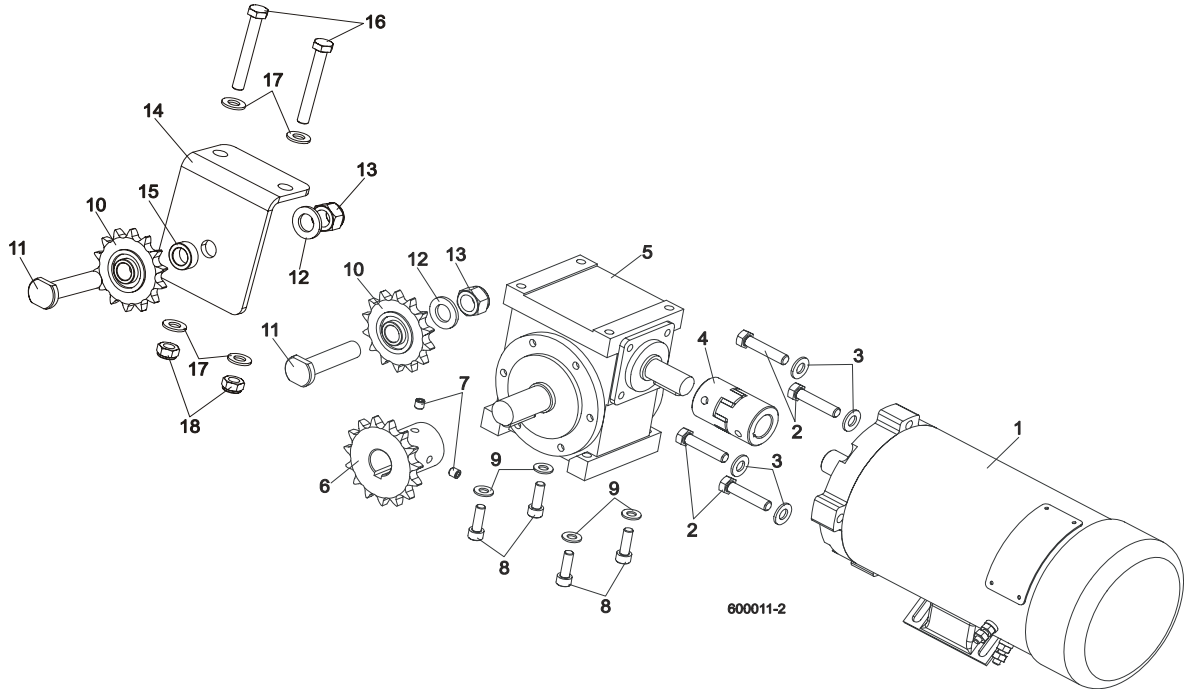
| REF | DESCRIPTION (◆ Indicates Parts Available In Assemblies Only) | PART # | QTY. |
|-----|--|-----------|------|
| 1 | COVER, MIDDLE TRACK | 092868-1 | 1 |
| 2 | STRIP, FELT | S09915 | 1 |
| 3 | SCREW, M6X16 DIN 316 WING | F81001-16 | 4 |
| 4 | WIPER, TOP RAIL | M04113 | 2 |
| 5 | PLATE, TRACK WIPER | 088559-1 | 2 |
| | ROLLER ASSEMBLY, UPPER TANDEM TRACK | 088530 | 1 |
| 6 | Block, Tandem Roller Mount | 088532 | 1 |

7 Feed System & Track Rollers

Upper Track Rollers And Wipers

| | | | | |
|----|--|-----------|---|--|
| 7 | Block Assembly, Tandem Roller | 088535 | 1 | |
| 8 | Bearing, CBK-468 Rolling | 088433 | 2 | |
| 9 | Ring, Z30 Spring Retaining | F81090-23 | 2 | |
| 10 | Block, Cam Follower Mount | 088520 | 1 | |
| 11 | Bearing, Cam Follower (McGill) | 012797 | 2 | |
| 12 | Washer, 16.3 Split Zinc Lock | F81058-2 | 2 | |
| 13 | Nut, 5/8"-18 Zinc | F05010-11 | 2 | |
| 14 | Washer, Z24.5 Split Zinc Lock | F81061-4 | 1 | |
| 15 | Bolt, M24 x 2 x 90-8.8 Hex Head Full Thread Zinc | F81009-2 | 1 | |
| 16 | Pin, Cam Follower Mount | 088531 | 1 | |
| 17 | Nut, M16-8 Hex Nylon Zinc Lock | F81036-2 | 1 | |
| 18 | Fitting, M6 Straight Grease | 086280 | 1 | |
| | ROLLER ASSEMBLY, REAR UPPER TRACK | 088529 | 1 | |
| 19 | Block, Rear Upper Roller Mount | 088528 | 1 | |
| 20 | Spacer, Cam Follower | 088536 | 1 | |
| 21 | Bearing, Cam Follower (McGill) | 012797 | 1 | |
| 22 | Roller, CBK-468 | 088433 | 1 | |
| 23 | Ring, Z30 Spring Retaining | F81090-23 | 1 | |
| 24 | Washer, Z24.5 Split Zinc Lock | F81061-4 | 1 | |
| 25 | Bolt, M24x2x90-8.8 Hex Head Full Thread Zinc | F81009-2 | 1 | |
| 26 | COVER, TANDEM ROLLER | 088526-1 | 1 | |
| 27 | WASHER, 6.4 ZINC FLAT | F81053-1 | 4 | |
| 28 | BOLT, M6X16 8.8 HEX HEAD FULL THREAD ZINC | F81001-15 | 4 | |
| 29 | COVER, REAR UPPER ROLLER | 088527-1 | 1 | |

7.2 Power Feed Assembly

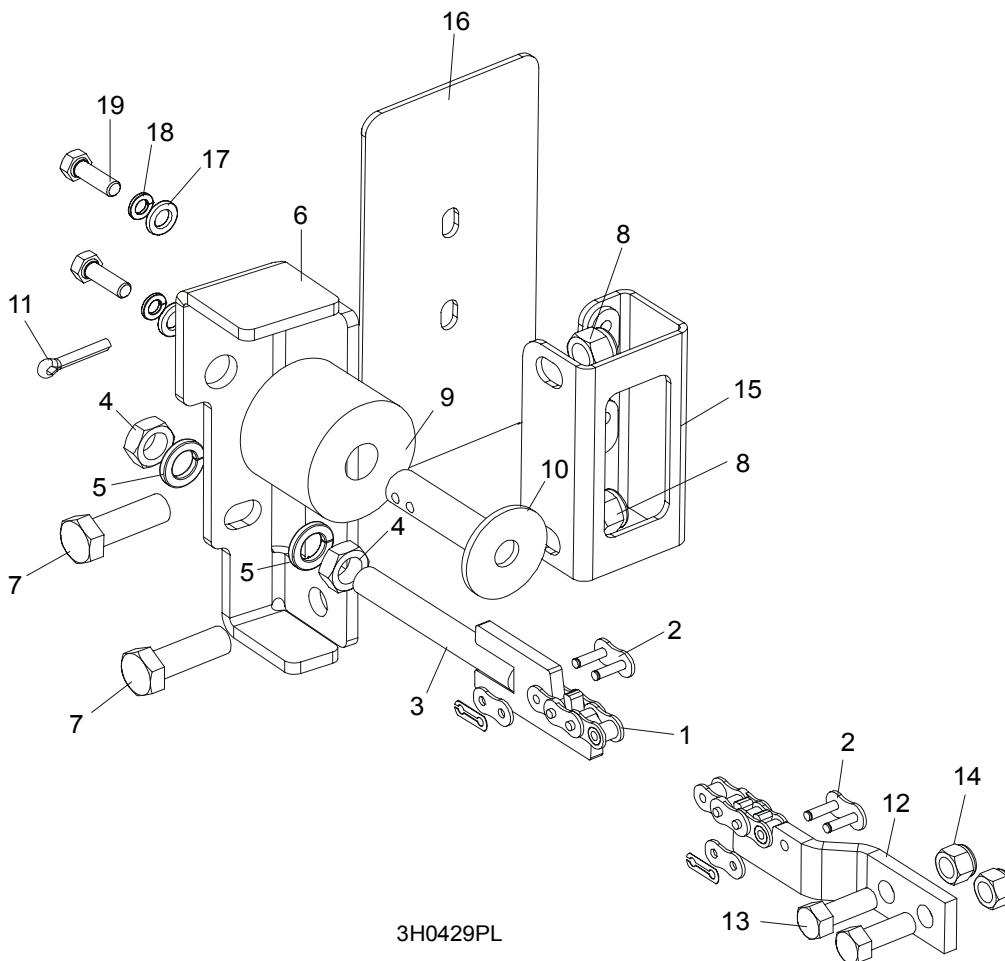


| REF | DESCRIPTION (◆ Indicates Parts Available In Assemblies Only) | PART # | QTY. |
|-----|--|-----------|------|
| 1 | MOTOR, 12V, 0.75KM LEESON | 024169 | 1 |
| 2 | BOLT, 3/8-16x1 3/4 HEX HEAD FULL THREAD | F05007-19 | 4 |
| 3 | WASHER, 10.5 ZINC FLAT | F81055-1 | 4 |
| 4 | COUPLING, SPIDEX 19/ 5/8" b/b ST 92Sh | 090786 | 1 |
| 5 | GEAR BOX, RA-05/7,5/D1/S+N/B8 W/OUTPUT SHAFT | 088578 | 1 |
| 6 | SPROCKET, 10B Z15 ZINC | 088541-1 | 1 |
| 7 | SCREW, M8x8-33H HEX SOCKET SET FLAT POINT ZINC | F81014-1 | 2 |
| 8 | SCREW, M8x25 -8.8 HEX SOCKET HEAD CAP ZINC | F81002-21 | 4 |
| 9 | WASHER, 8.4 ZINC FLAT | F81054-1 | 4 |
| 10 | SPROCKET, KSR 16.L0.10.10.14.08 W/BEARING | 088867 | 2 |
| 11 | PIN, ZINC SPROCKET MOUNT | 088994-1 | 2 |
| 12 | WASHER, 17 ZINC FLAT | F81058-1 | 2 |
| 13 | NUT, M16-8 HEX NYLON ZINC LOCK | F81036-2 | 2 |
| 14 | BRACKET, POWER FEED SPROCKET MOUNT | 088507-1 | 1 |
| 15 | SPACER, POWER FEED SPROCKET | 088550-1 | 1 |
| 16 | BOLT, M10x75-8.8 HEX HEAD ZINC | F81003-15 | 2 |
| 17 | WASHER, 10.5 ZINC FLAT | F81055-1 | 4 |
| 18 | NUT, M10-8-B HEX NYLON ZINC LOCK | F81033-1 | 2 |

7 Feed System & Track Rollers

Feed Chain/Stop, LT70 S/M

7.3 Feed Chain/Stop, LT70 S/M



3H0429PL

| REF | DESCRIPTION (◆ Indicates Parts Available In Assemblies Only) | PART # | QTY. |
|-----|--|-----------|------|
| 1 | CHAIN, 10B-1-375 (5.95M) LT70S FEED | 090427 | 1 |
| | CHAIN, 10B-1-457 (7.25M) LT70M FEED | 090370 | 1 |
| 2 | LINK, 10B-1Pz MASTER | 088671 | 2 |
| 3 | TENSIONER WELDMENT, POWER FEED CHAIN ZINC-PLATED | 086818-1 | 1 |
| 4 | NUT, M12-5 HEX JAM | F81034-4 | 2 |
| 5 | WASHER, 12.2 SPLIT LOCK | F81056-2 | 2 |
| 6 | BRACKET, FEED CHAIN REAR MOUNT | 087628-1 | 1 |
| 7 | BOLT, M12 X 40 8.8 HEX HEAD GRADE 5 | F81004-4 | 2 |
| 8 | NUT, M12-8 HEX NYLON LOCK | F81034-2 | 2 |
| | STOP KIT, RUBBER CARRIAGE | K09630 | 2 |
| 9 | Stop, Rubber Carriage | P12165 | 1 |
| 10 | Pin, Rubber Carriage Stop | W09293 | 1 |
| 11 | Pin, 3/16" X 1" Cotter | F05012-21 | 1 |

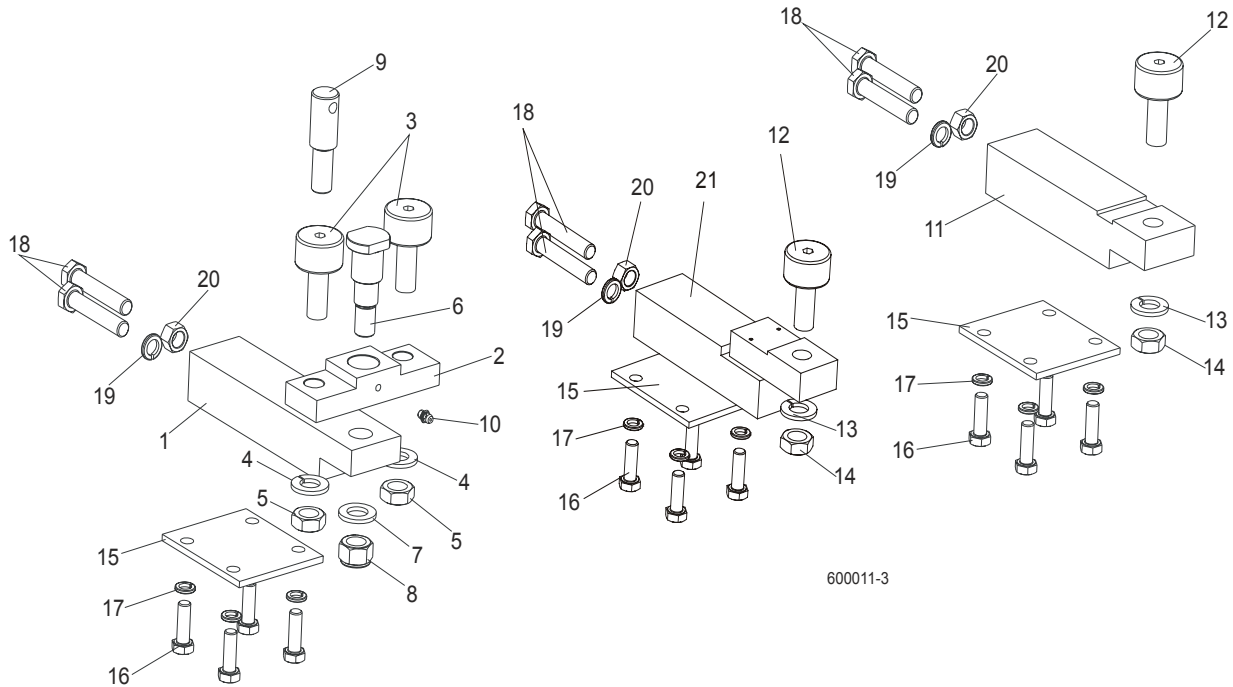
Feed System & Track Rollers

Feed Chain/Stop, LT70 S/M

7

| | | | | |
|----|--|-----------|---|--|
| 12 | BRACKET, FRONT FEED CHAIN MOUNT | 015008 | 1 | |
| 13 | BOLT, 3/8-16 X 1" HEX HEAD | F05007-7 | 2 | |
| 14 | NUT, 3/8-16 HEX NYLON LOCK | F05010-10 | 2 | |
| 15 | BRACKET WELDMENT, REAR MAIN TUBE COVER MOUNT | 087105-1 | 1 | |
| 16 | COVER, REAR MAIN TUBE | 015023 | 1 | |
| 17 | WASHER, 8.4 FLAT | F81054-1 | 2 | |
| 18 | WASHER, 8.2 SPLIT LOCK | F81054-4 | 2 | |
| 19 | BOLT, 5/16-18 X 1" HEX HEAD | F05006-1 | 2 | |

7.4 Lower Track Rollers

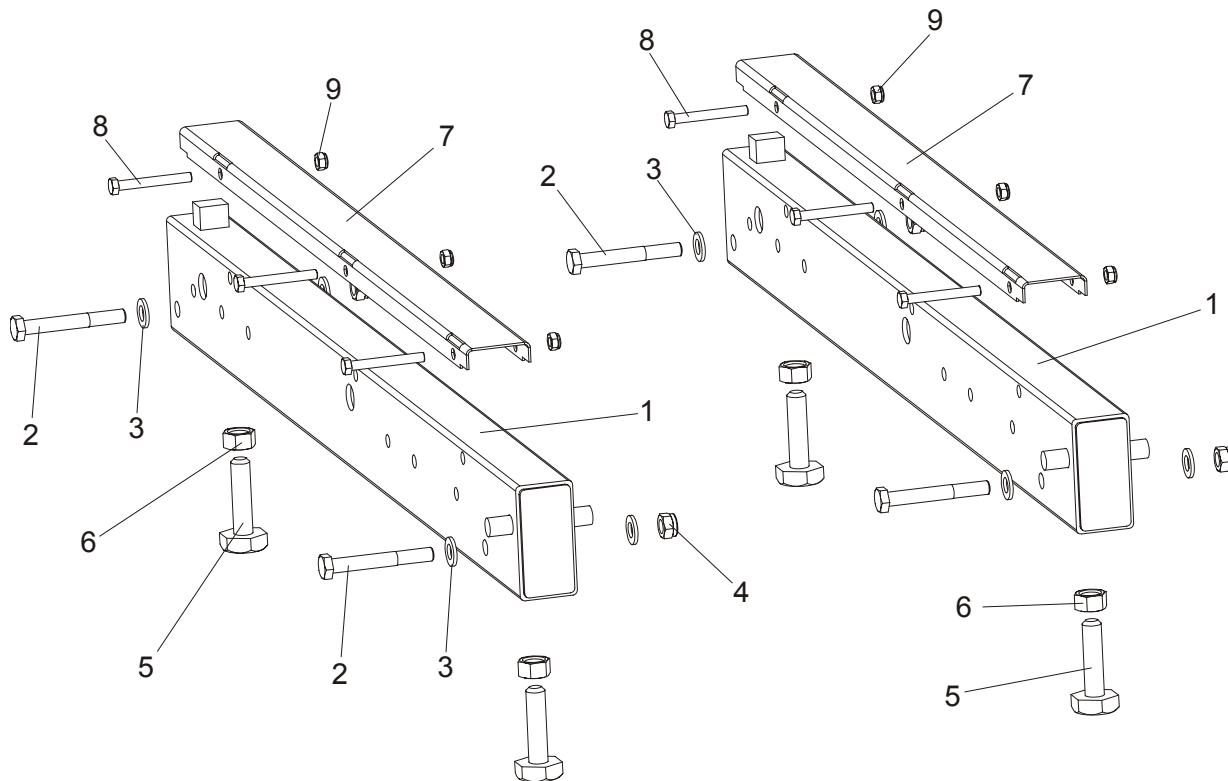


| REF | DESCRIPTION (◆ Indicates Parts Available In Assemblies Only) | PART # | QTY. |
|-----|--|-----------|------|
| | BLOCK ASSEMBLY, VERTICAL MAST ALIGNMENT DOUBLE | 088523 | 1 |
| 1 | Block, Vertical Mast Alignment Double | 088517 | 1 |
| 2 | Block, Cam Follower Mount | 088520 | 1 |
| 3 | Bearing, Cam Follower (McGill) | 012797 | 2 |
| 4 | Washer, 16.3 Split Zinc Lock | F81058-2 | 2 |
| 5 | Nut, 5/8"-18 Zinc | F05010-11 | 2 |
| 6 | Pin, Cam Follower Mount | 088521 | 1 |
| 7 | Washer, 17 Zinc Flat | F81058-1 | 1 |
| 8 | Nut, M16-8 Hex Nylon Zinc Lock | F81036-2 | 1 |
| 9 | Pin, Safety Lock | 088519 | 1 |
| 10 | Fitting, M6 Straight Grease | 086280 | 1 |
| | BLOCK ASSEMBLY, VERTICAL MAST ALIGNMENT SINGLE | 088524 | 1 |
| 11 | Block, Vertical Mast Alignment Single | 088518 | 1 |
| 12 | Bearing, Cam Follower (McGill) | 012797 | 1 |
| 13 | Washer, 16.3 Split Zinc Lock | F81058-2 | 1 |
| 14 | Nut, 5/8"-18 Zinc | F05010-11 | 1 |
| 15 | PLATE, LOWER TRACK ROLLER RETAINER | 088516 | 3 |
| 16 | BOLT, M10X30-5.8 HEX HEAD FULL THREAD ZINC | F81003-2 | 12 |
| 17 | WASHER, 10.2 SPLIT ZINC LOCK | F81055-2 | 12 |
| 18 | BOLT, M12X1.25X65-8.8 HEX HEAD FULL THREAD ZINC | F81004-40 | 6 |

| | | | | |
|-----------|---|----------|---|--|
| 19 | WASHER, Z12.2 SPLIT ZINC LOCK | F81056-2 | 3 | |
| 20 | NUT, M12X1.25-8 ZINC HEX | F81034-8 | 3 | |
| 21 | BLOCK WELDMENT, LOWER TRACK ROLLER MOUNT | 091425 | 1 | |

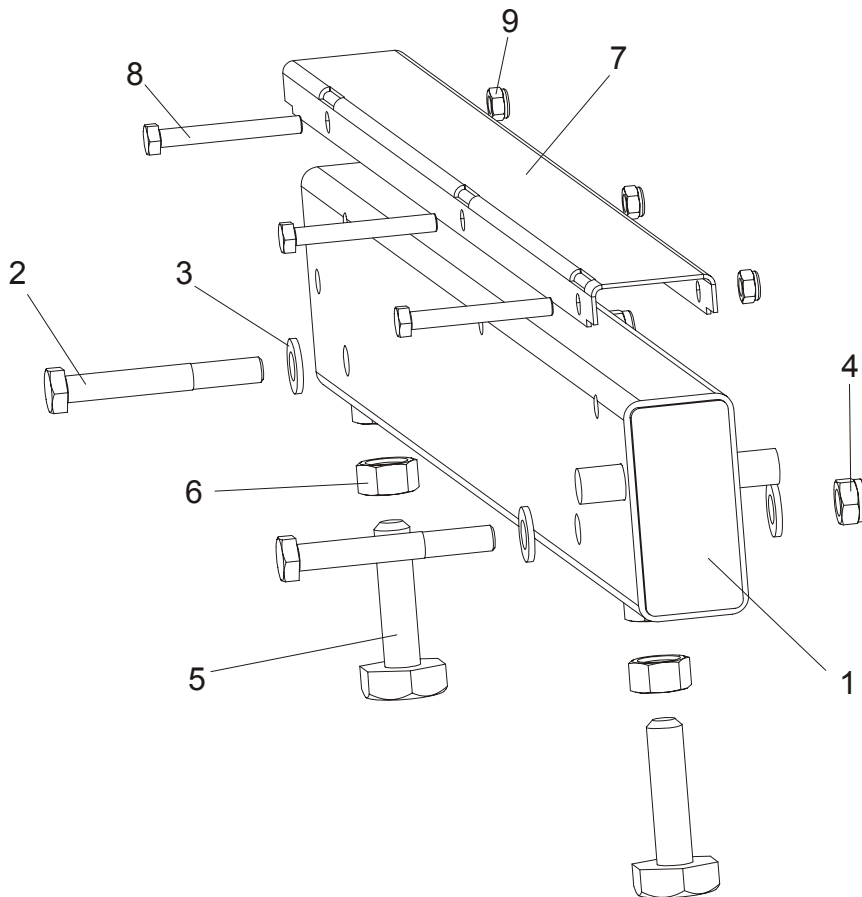
SECTION 8 BED FRAME ASSEMBLY

8.1 Bed Rail Assembly, Front And Rear



| REF | DESCRIPTION (◆ Indicates Parts Available In Assemblies Only) | PART # | QTY. |
|-----|--|----------|------|
| 1 | BED RAIL ASSEMBLY, REAR PAINTED | 091555 | 2 |
| 2 | Bolt, M12 x 90-8.8 Hex Head | F81004-2 | 4 |
| 3 | Washer, 13 SAE Flat | F81056-1 | 8 |
| 4 | Nut, M12-8 Hex Nylon Lock | F81034-2 | 4 |
| 5 | Bolt, M16 Bed Rail Adjustment | 086809 | 4 |
| 6 | Nut, M16-5-B Zinc Hex Head | F81036-5 | 4 |
| 7 | COVER, STAINLESS STEEL BED RAIL | S09944 | 2 |
| 8 | BOLT, M8X65-5.8 ZINC HEX HEAD | F81002-3 | 6 |
| 9 | NUT, M8-8-B HEX NYLON ZINC LOCK | F81032-2 | 6 |

8.2 Bed Rail Assembly, Front Middle

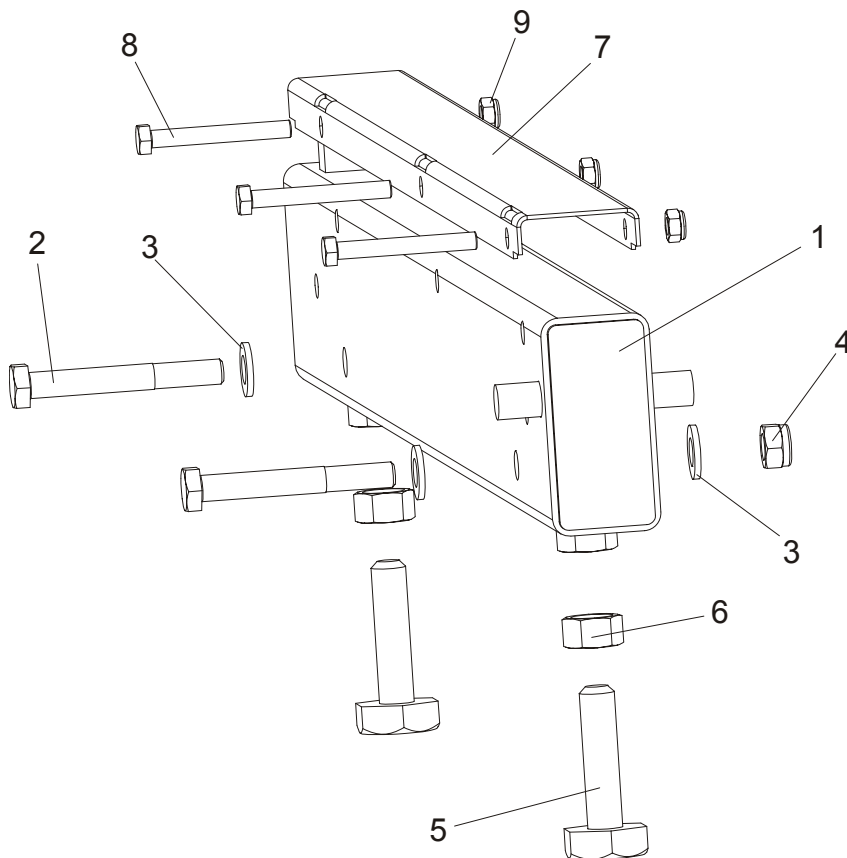


| REF | DESCRIPTION (◆ Indicates Parts Available In Assemblies Only) | PART # | QTY. |
|-----|--|----------|------|
| 1 | BED RAIL ASSEMBLY, FRONT MIDDLE | 091556 | 1 |
| 2 | Bolt, M12 x 90-8.8 Hex Head | F81004-2 | 2 |
| 3 | Washer, 13 SAE Flat | F81056-1 | 4 |
| 4 | Nut, M12-8 Hex Nylon Lock | F81034-2 | 2 |
| 5 | Bolt, M16 Bed Rail Adjustment | 086809 | 2 |
| 6 | Nut, M16-5-B Hex Head Zinc | F81036-5 | 2 |
| 7 | COVER, STAINLESS STEEL BED RAIL | S09944 | 2 |
| 8 | BOLT, M8X65-5.8 ZINC HEX HEAD | F81002-3 | 3 |
| 9 | NUT, M8-8-B HEX NYLON ZINC LOCK | F81032-2 | 3 |

8 Bed Frame Assembly

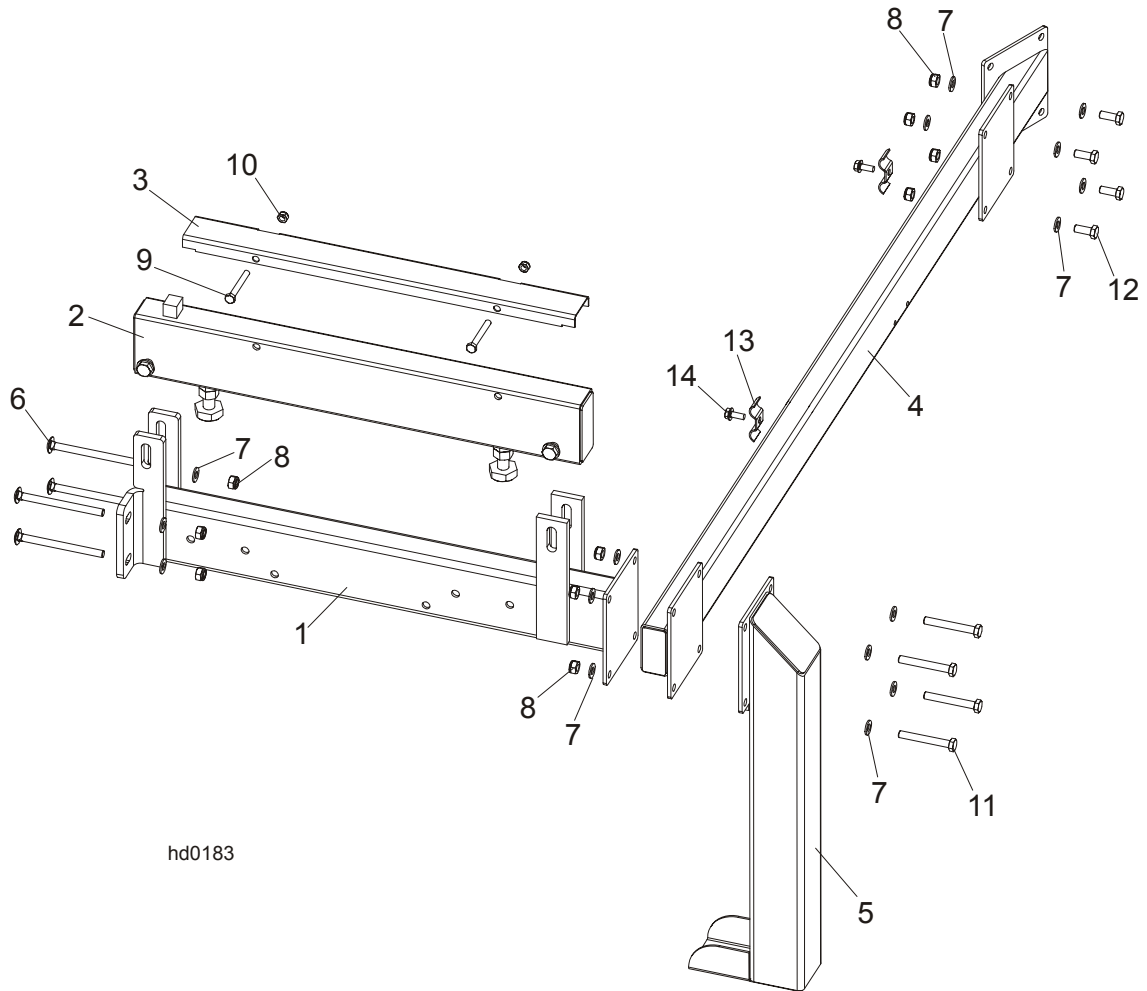
Bed Rail Assembly, Rear Middle

8.3 Bed Rail Assembly, Rear Middle



| REF | DESCRIPTION (◆ Indicates Parts Available In Assemblies Only) | PART # | QTY. |
|-----|--|----------|------|
| 1 | BED RAIL ASSEMBLY, REAR MIDDLE PAINTED | 091557 | 1 |
| 2 | Bolt, M12 x 90-8.8 Hex Head | F81004-2 | 2 |
| 3 | Washer, 13 SAE Flat | F81056-1 | 4 |
| 4 | Nut, M12-8 Hex Nylon Lock | F81034-2 | 2 |
| 5 | Bolt, M16 Bed Rail Adjustment | 086809 | 2 |
| 6 | Nut, M16-5-B Hex Head Zinc | F81036-5 | 2 |
| 7 | COVER, STAINLESS STEEL BED RAIL | S09944 | 2 |
| 8 | BOLT, M8X65-5.8 HEX HEAD ZINC | F81002-3 | 3 |
| 9 | NUT, M8-8-B HEX NYLON ZINC LOCK | F81032-2 | 3 |

8.4 Clamp Mount Assembly, Front (A/DH5/7)



hd0183

| REF | DESCRIPTION (◆ Indicates Parts Available In Assemblies Only) | PART # | QTY. |
|-----|--|-----------|------|
| | CLAMP MOUNT ASSEMBLY - FRONT | 092937 | 1 |
| 1 | Bed Rail Assembly, Front | 092903-1 | 1 |
| 2 | Bed Rail AH5/DH5 | 095131-1 | 1 |
| 3 | Cover, 22.75 SS LT50 Pivot | S13012 | 1 |
| 4 | Tube Weldment, Bed Front | 092904-1 | 1 |
| 5 | Leg, Stationary Left | 087450-1 | 1 |
| 6 | Bolt, M10 X 125-8.8 Carriage Head | F81003-34 | 4 |
| 7 | Washer, M10 Flat Zinc | F81055-1 | 20 |
| 8 | Nut, M10 Hex Nylon Zinc Lock | F81033-1 | 12 |
| 9 | Bolt, M8 x 65mm Hex Head Zinc Grade 5.8 | F81002-3 | 2 |
| 10 | Nut, M8 Hex Nylon Zinc Lock | F81032-2 | 2 |
| 11 | Bolt, M10x75-8.8 Hex Head Zinc | F81003-15 | 4 |

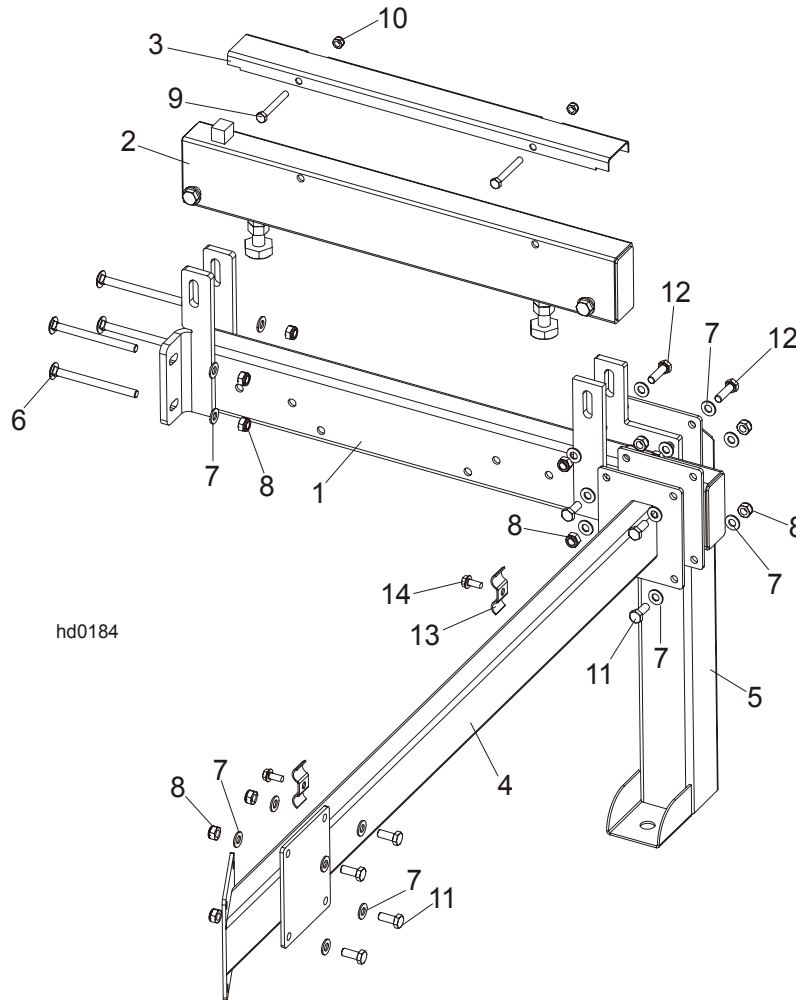


Bed Frame Assembly

Clamp Mount Assembly, Front (A/DH5/7)

| | | | | |
|-----------|---------------------------------------|-----------|---|--|
| 12 | Bolt, M10-1.5x25mm Hex Head Grade 8.8 | F81003-11 | 4 | |
| 13 | Plate, 1/4 Hose Clamp Painted | S09245 | 2 | |
| 14 | Screw, 5/16-18x3/4 Self-tapping | F05015-30 | 2 | |

8.5 Clamp Mount Assembly, Rear (A/DH5/7)



| REF | DESCRIPTION (◆ Indicates Parts Available In Assemblies Only) | PART # | QTY. |
|-----|--|-----------|------|
| | CLAMP MOUNT ASSEMBLY - REAR | 092938 | 1 |
| 1 | Bed Rail Assembly, Rear | 092902-1 | 1 |
| 2 | Bed Rail AH5/DH5 | 095131-1 | 1 |
| 3 | Cover, 22.75 SS LT50 Pivot | S13012 | 1 |
| 4 | Tube Weldment, Bed Rear | 092907-1 | 1 |
| 5 | Leg, Stationary Left | 087450-1 | 1 |
| 6 | Bolt, M10 X 125-8.8 Carriage Head | F81003-34 | 4 |
| 7 | Washer, M10 Flat Zinc | F81055-1 | 28 |
| 8 | Nut, M10 Hex Nylon Zinc Lock | F81033-1 | 16 |
| 9 | Bolt, M8 x 65-5.8 Hex Head Zinc | F81002-3 | 2 |
| 10 | Nut, M8 Hex Nylon Lock Zinc | F81032-2 | 2 |
| 11 | Bolt, M10x25-8.8Hex Head Full Thread Zinc | F81003-11 | 4 |

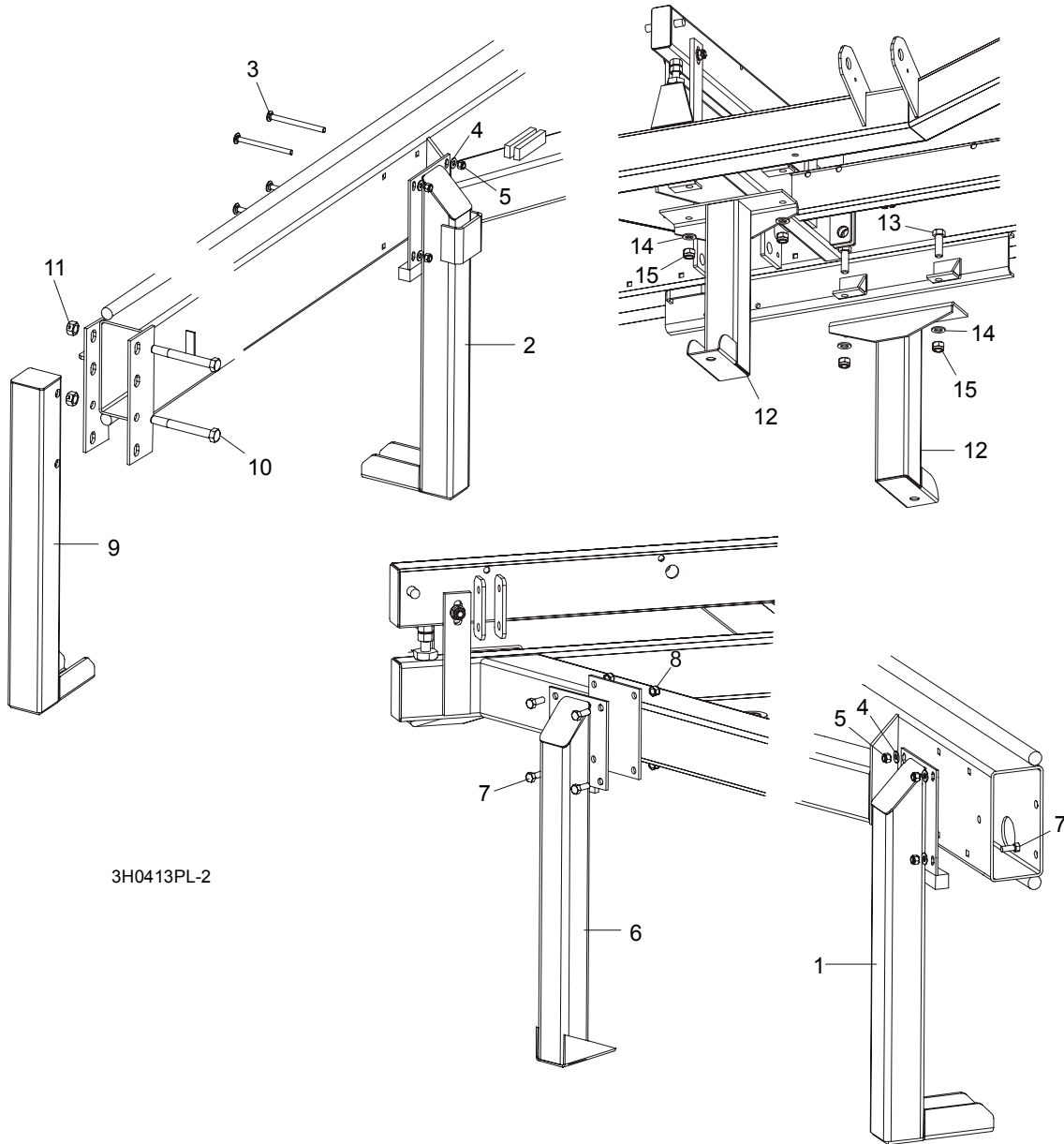


Bed Frame Assembly

Clamp Mount Assembly, Rear (A/DH5/7)

| | | | | |
|-----------|--|-----------|---|--|
| 12 | Bolt, M10x35-8.8 Hex Head Full Thread Zinc | F81003-17 | 4 | |
| 13 | Plate, 1/4 Hose Clamp Painted | S09245 | 2 | |
| 14 | Screw, 5/16-18x3/4 Self-tapping | F05015-30 | 2 | |

8.6 Leg, Stationary



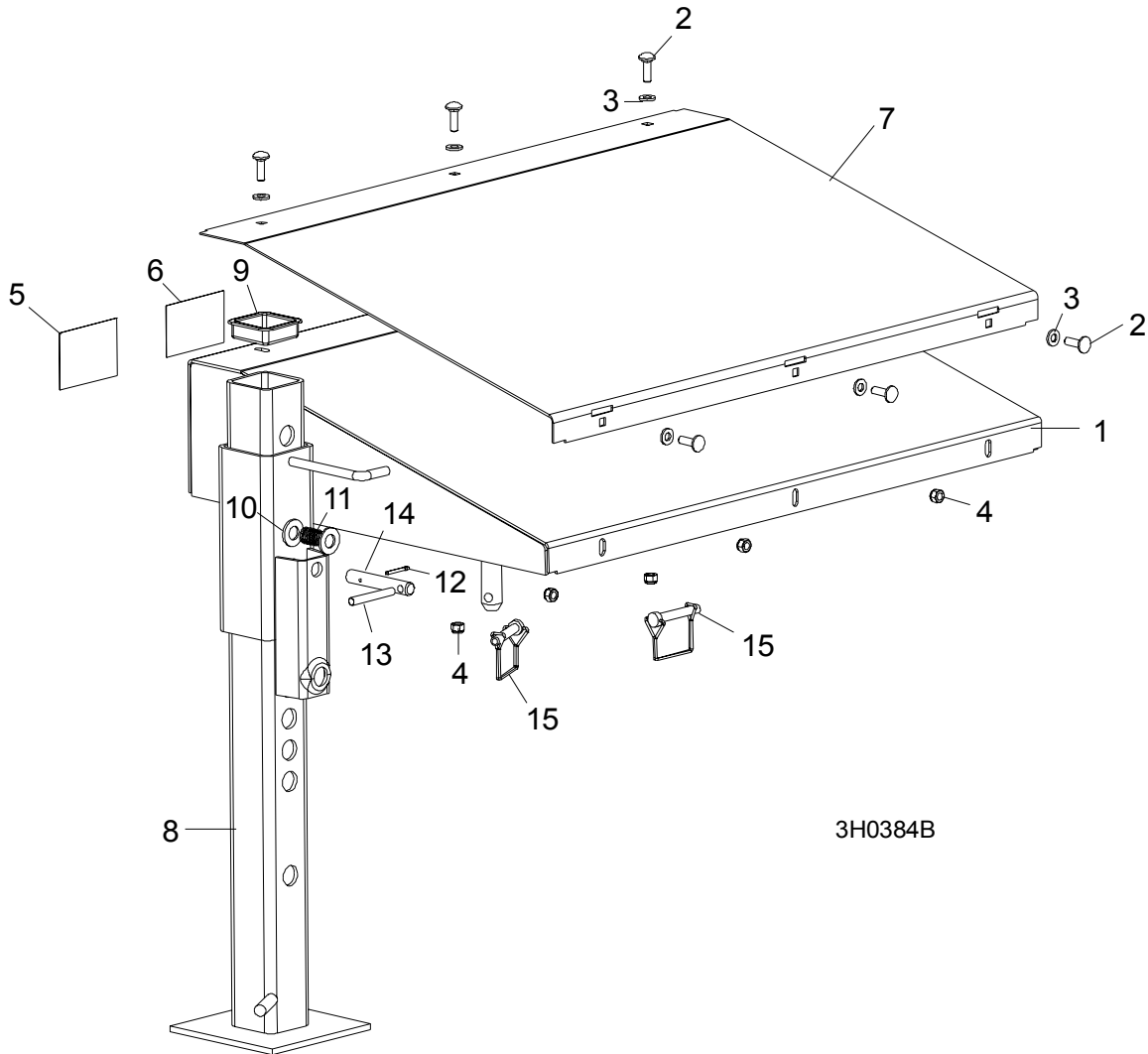
3H0413PL-2

| REF | DESCRIPTION (◆ Indicates Parts Available In Assemblies Only) | PART # | QTY. |
|-----|---|-----------|------|
| 1 | LEG, LONG RIGHT STATIONARY (1 REQ'D FOR LT30; 3 REQ'D FOR LT40) | 087451-1 | 1/3 |
| 2 | LEG, LONG STATIONARY W/BOARD RETURN TABLE BRACKET | 087449-1 | 1 |
| 3 | BOLT, M10 X 120-8.8 CARRIAGE HEAD | F81003-33 | 8/12 |
| 4 | WASHER, 10.5 FLAT | F81055-1 | 8/16 |
| 5 | NUT, M10-8-B HEX NYLON LOCK | F81033-1 | 8/16 |

8**Bed Frame Assembly***Leg, Stationary*

| | | | | |
|----|--|-----------|----|--|
| 6 | LEG, SHORT LEFT STATIONARY | 087450-1 | 2 | |
| 7 | BOLT, M10 X 25-8.8 HEX HEAD | F81003-11 | 12 | |
| 8 | NUT, M10-8-B HEX NYLON LOCK | F81033-1 | 12 | |
| 9 | LEG, FRONT STATIONARY | 087452-1 | 1 | |
| 10 | BOLT, M16 X 140-8.8 HEX HEAD GRADE 5 | F81006-4 | 2 | |
| 11 | NUT, M16-8 HEX LOCK ZINC LOCK | F81036-2 | 2 | |
| 12 | LEG, MIDDLE STATIONARY | 087093-1 | 2 | |
| 13 | BOLT, M16 X 50-8.8 HEX HEAD FULL THREAD ZINC | F81006-7 | 4 | |
| 14 | WASHER, 17 FLAT ZINC | F81058-1 | 4 | |
| 15 | NUT, M16-8 HEX NYLON ZINC LOCK | F81036-2 | 4 | |

8.7 Board Return Table Assembly



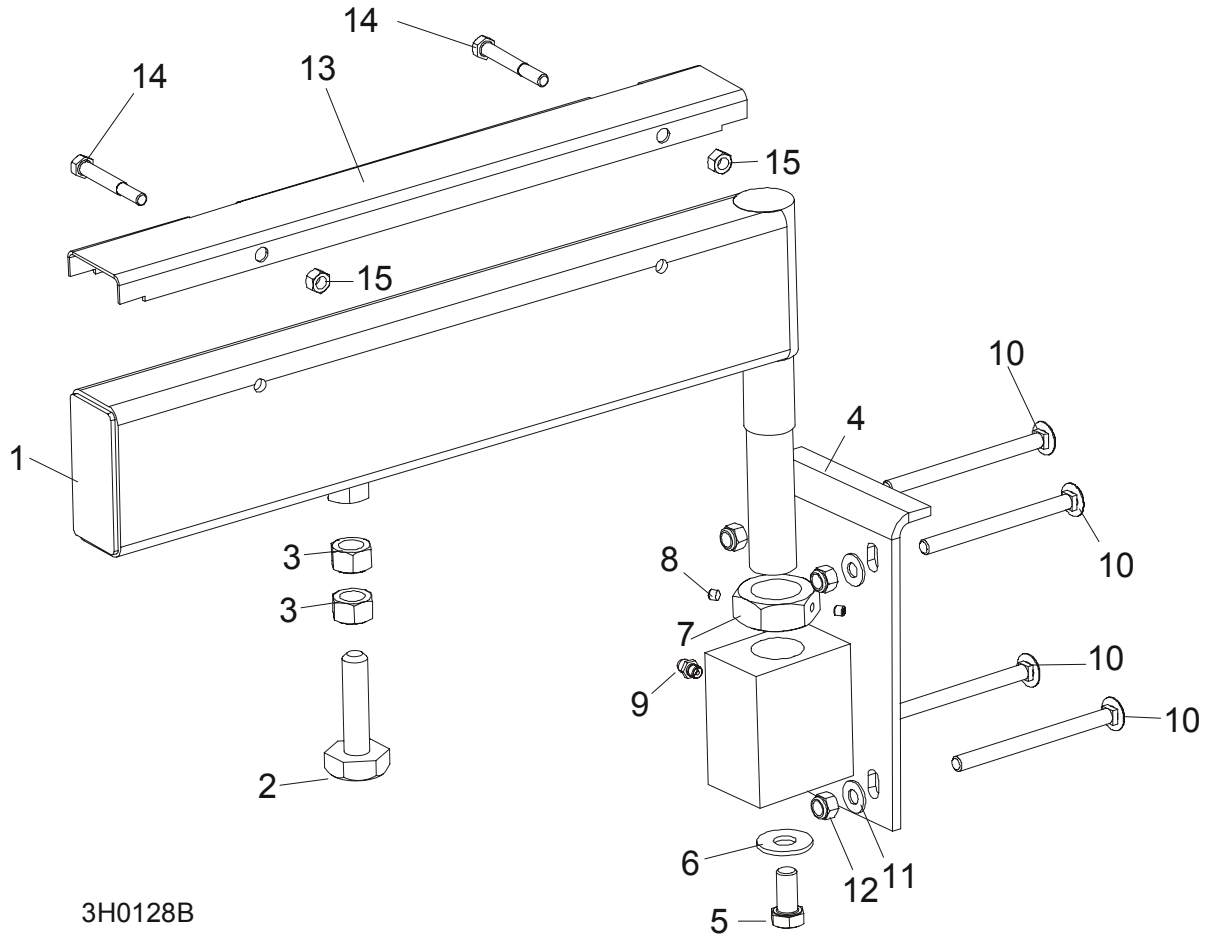
3H0384B

| REF | DESCRIPTION (◆ Indicates Parts Available In Assemblies Only) | PART # | QTY. | |
|-----|--|----------|------|---|
| | TABLE ASSEMBLY, BOARD RETURN | 091397 | 1 | |
| 1 | Table Weldment, Board Return | 091225-1 | 1 | ◆ |
| 2 | Bolt, 5/16-18 x 1" Carriage Head | F81002-1 | 6 | |
| 3 | Washer, 8.4 Flat Zinc | F81054-1 | 6 | |
| 4 | Nut, M8-8-B Hex Nylon Zinc Lock | F81032-2 | 6 | |
| 5 | Decal, Board Return Danger | 015365 | 1 | |
| 6 | Decal, Board Return Table Warning | 016077 | 1 | |
| 7 | Plate, Return Table Stainless Steel | 091396 | 1 | |
| 8 | Leg Weldment, Painted Outrigger | 089691-1 | 1 | |
| 9 | Cap, Outrigger Leg | 089710 | 1 | |

8**Bed Frame Assembly***Board Return Table Assembly*

| | | | | |
|-----------|--|----------|---|--|
| 10 | Washer, 21 Flat Zinc | F81059-2 | 2 | |
| 11 | Spring, 21x38x2 Diameter Stainless Steel Compression | 087040 | 1 | |
| 12 | Pin, 4x25 Cotter | F81043-2 | 1 | |
| 13 | Pin, 8x65 Roll | F81046-1 | 1 | |
| 14 | Pin, Outrigger Pull | 087012-1 | 1 | |
| 15 | Pin, 3/8 X 2 1/4" Square Wire Lock | 014151 | 2 | |

8.8 Pivot Bed Rail Assembly



3H0128B

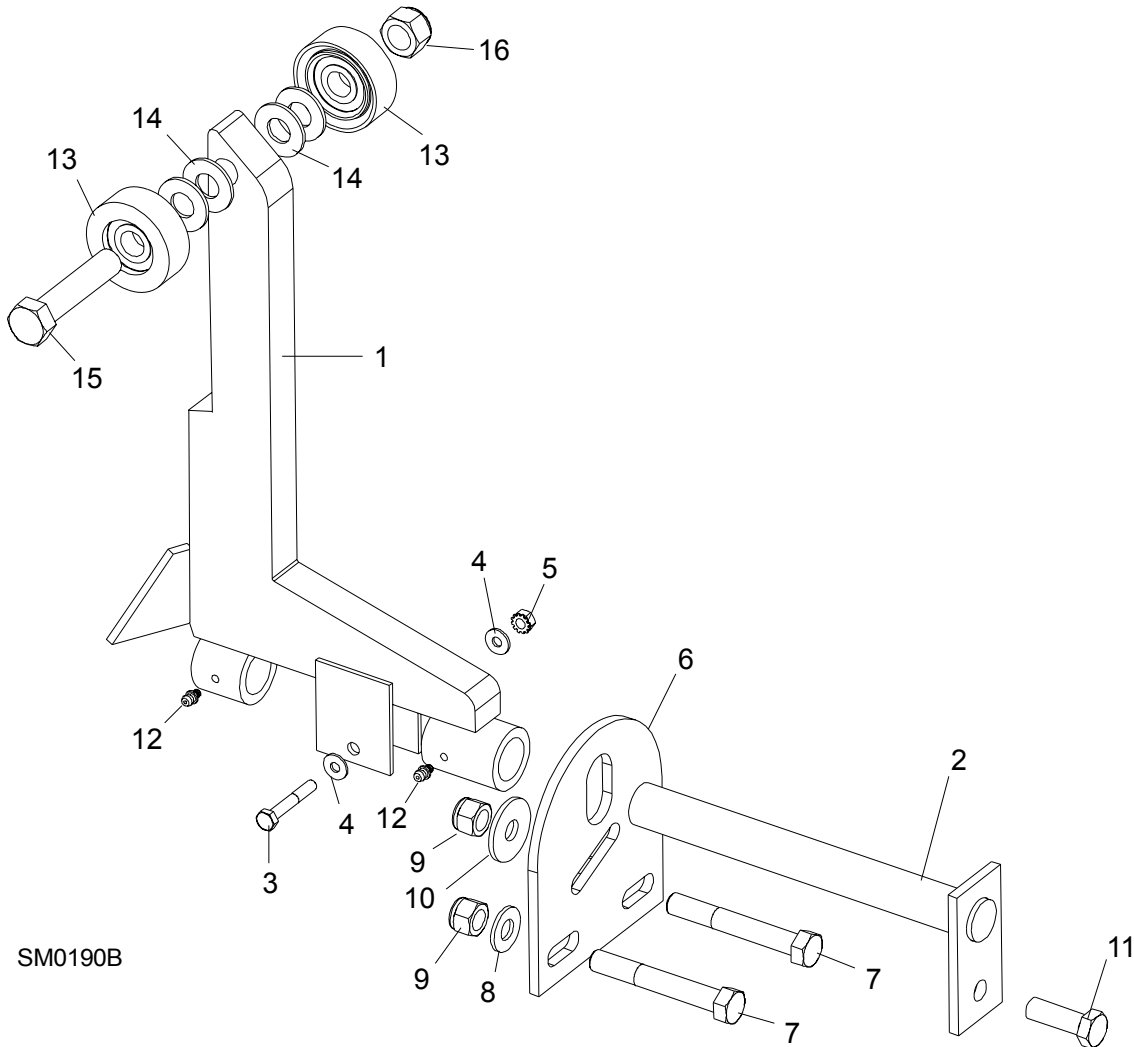
| REF | DESCRIPTION (◆ Indicates Parts Available In Assemblies Only) | PART # | QTY. |
|-----|--|----------------------|------|
| | PIVOT BED RAIL ASSEMBLY | 087829 | 2 |
| | PIVOT BED RAIL ASSEMBLY | 087855 | 2 |
| 1 | Pivot Bed Rail Weldment | 087852 | 1 |
| | Pivot Bed Rail Weldment | 087848 | 1 |
| | Bolt Assembly, Bed Rail Adjustment | | 1 |
| 2 | Bolt, Bed Rail Adjustment | 086809 | 1 |
| 3 | Nut, M16-5.8 Hex Zinc | F81036-1 | 2 |
| 4 | Bracket, Pivot Rail Mounting | 087841-1 | 1 |
| 5 | Bolt, M12x25-8.8 Hex Head Full Thread Zinc | F81004-31 | 1 |
| 6 | Washer, 15 Flat | F05011-52 | 1 |
| 7 | Nut, Pivot Rail Adjustment Nut, Pivot Rail Adjustment | F81036-1 F81039-2 | 1 |
| 8 | Screw, 1/4-28 x 1/4" Brass Tip Set | F05005-42 | 2 |
| 9 | Fitting, 3/16" Grease | 086280 | 1 |

8

Bed Frame Assembly*Pivot Bed Rail Assembly*

| | | | | |
|----|--|------------|---|--|
| 10 | BOLT, 3M10 X 120-8.8 CARRIAGE HEAD | F81003-14 | 2 | |
| 11 | BOLT, 3/8-16 X 5" CARRIAGE HEAD | F05007-113 | 6 | |
| 12 | WASHER, 10.5 FLAT ZINC | F81055-1 | 8 | |
| 13 | NUT, M16-8 HEX NYLON ZINC LOCK | F81036-2 | 8 | |
| | COVER KIT, PIVOT RAIL STAINLESS STEEL | 015926 | 2 | |
| | COVER KIT, PIVOT RAIL STAINLESS STEEL | N/A | 2 | |
| 14 | Cover, Stainless Steel Pivot Bed Rail | 012994 | 1 | |
| | Cover, Stainless Steel Pivot Bed Rail | S13012 | 1 | |
| 15 | Bolt, M8x65-5.8 Hex Head Zinc | F81002-3 | 4 | |
| 16 | Nut, M8-8-B Hex Nylon Zinc Lock | F81032-2 | 4 | |
| | WRENCH, BED RAIL ADJUSTMENT (See Section 8.3) | 015970 | 1 | |

8.9 Log Side Support Assembly (Manual)



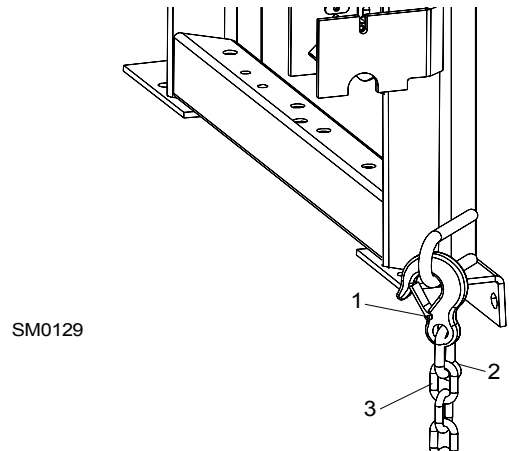
| REF | DESCRIPTION (◆ Indicates Parts Available In Assemblies Only) | PART # | QTY. |
|----------|--|-----------|------|
| | SUPPORT, LOG SIDE | 092686 | |
| 1 | MOUNTING KIT, LOG SIDE SUPPORT | 085538-1 | |
| 2 | Pin, Log Side Support Pivot | 091549-1 | 1 |
| 3 | Bolt, M8x45-8.8 Hex Head Full Thread Zinc | F81002-14 | 1 |
| 4 | Washer, 8.4 Flat Zinc | F81054-1 | 2 |
| 5 | Nut, M8-8-B Hex Nylon Zinc Lock | F81032-2 | 1 |
| 6 | Plate, Log Side Support End | 091591-1 | 1 |
| 7 | Bolt, M12 x 90-8.8 Hex Head Zinc | F81004-2 | 2 |
| 8 | Washer, 13 Flat Zinc | F81056-1 | 2 |

8

Bed Frame Assembly*Log Side Support Assembly (Manual)*

| | | | | |
|----|--|------------|---|--|
| 9 | Nut, M12-8 Hex Nylon Zinc Lock | F81034-2 | 3 | |
| 10 | Washer, .5" x 1.63" x 11" Ga. | 086184 | 1 | |
| 11 | Bolt, M12 x 35-8.8 Hex Head Full Thread Zinc | F81004-24 | 1 | |
| 12 | FITTING, 3/16" GREASE | P04107 | 2 | |
| 13 | Roller Assembly, Side Support | 015014-1 | 2 | |
| 14 | Washer, 17 Flat Zinc | F81058-1 | 2 | |
| 15 | Bolt, M16x65-8.8-B Hex Head Full Thread Zinc | F81006-1 | 1 | |
| 16 | Nut, M16-8 Hex Nylon Zinc Lock | F81036-2 | 1 | |
| | Instruction Sheet, Side Support Roller | 015109-526 | 1 | |

8.10 Tie Down Chain Assembly

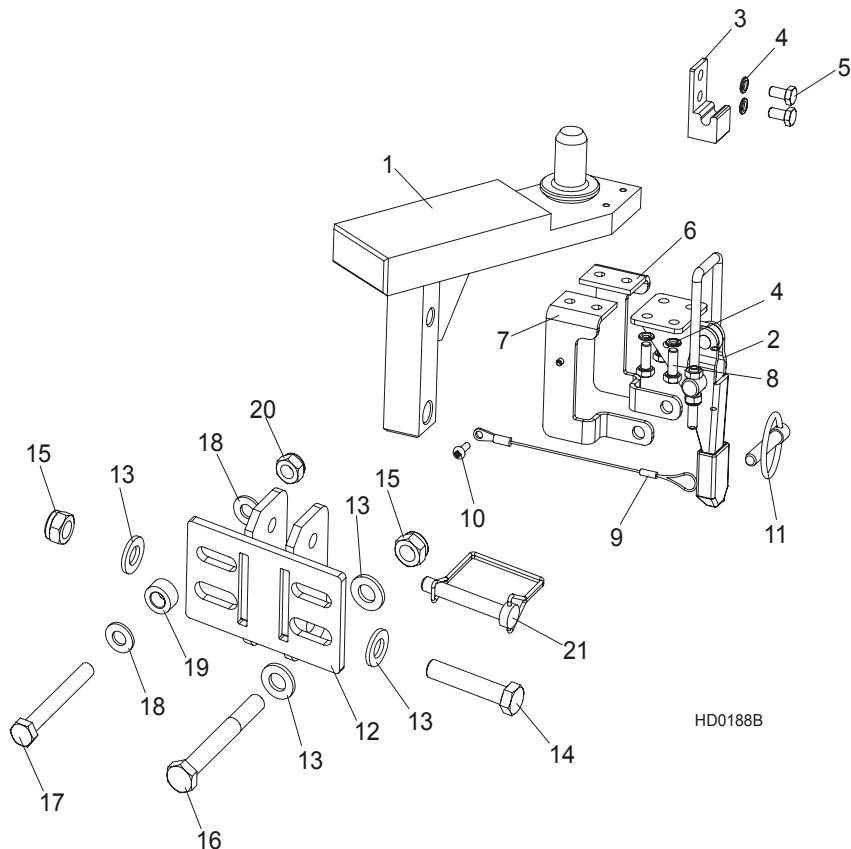


| REF | DESCRIPTION (◆ Indicates Parts Available In Assemblies Only) | PART # | QTY. | |
|----------|--|----------|-------|---|
| | CHAIN ASSEMBLY, TIE DOWN | A04376 | 1 | |
| 1 | Hook, 5/8" Safety Chain | P12075 | 1 | ◆ |
| 2 | Cold Shut, 3/8" Plain | P04772-2 | 1 | ◆ |
| 3 | Chain, N-10 x 35 Unplated | R80558 | .28 m | ◆ |

8 Bed Frame Assembly

LT70 S/M Saw Head Rest Pin Assembly

8.11 LT70 S/M Saw Head Rest Pin Assembly



| REF | DESCRIPTION (◆ Indicates Parts Available In Assemblies Only) | PART # | QTY. |
|-----|--|-----------|------|
| | SAW HEAD REST PIN W/LATCH CLAMP, LT70S/M | 094660 | 1 |
| 1 | Pin Weldment, LT70S/M Saw Head Rest | 094658-1 | 1 |
| 2 | Clamp, GN851.2-320-T4 Latch | 094656 | 1 |
| 3 | Latch Bracket, GN851.2-320-T4 Zinc-plated | 094659-1 | 1 |
| 4 | Washer, Z 6.1 Split Lock Zinc | F81053-3 | 6 |
| 5 | Bolt, M6x12-8.8 Hex Head Full Thread Zinc | F81001-7 | 2 |
| 6 | Bracket, Locking Right | 097102-1 | 1 |
| 7 | Bracket, Locking Left | 097103-1 | 1 |
| 8 | Bolt, M6x16-8.8-Fe/Zn5 PN-85/M-82105 | F81001-32 | 4 |
| 9 | Lanyard, 3/64x6" | 016030 | 1 |
| 10 | Screw, M4x12 -5,8-B- Fe/Zn5 PN-M/82202 | F81011-43 | 1 |
| 11 | Pin, 8 BN914(BOSSARD 1364650) Clamp Lock | F81046-2 | 1 |
| 12 | BRACKET, LT40 SAW HEAD REST PIN MOUNT PAINTED | 092765-1 | 1 |
| 13 | WASHER, 13 FLAT ZINC | F81056-1 | 4 |
| 14 | BOLT, M12 X 60-8.8 HEX HEAD ZINC | F81004-5 | 1 |
| 15 | NUT, M12-8 HEX NYLON ZINC LOCK | F81034-2 | 2 |

Bed Frame Assembly

LT70 S/M Saw Head Rest Pin Assembly

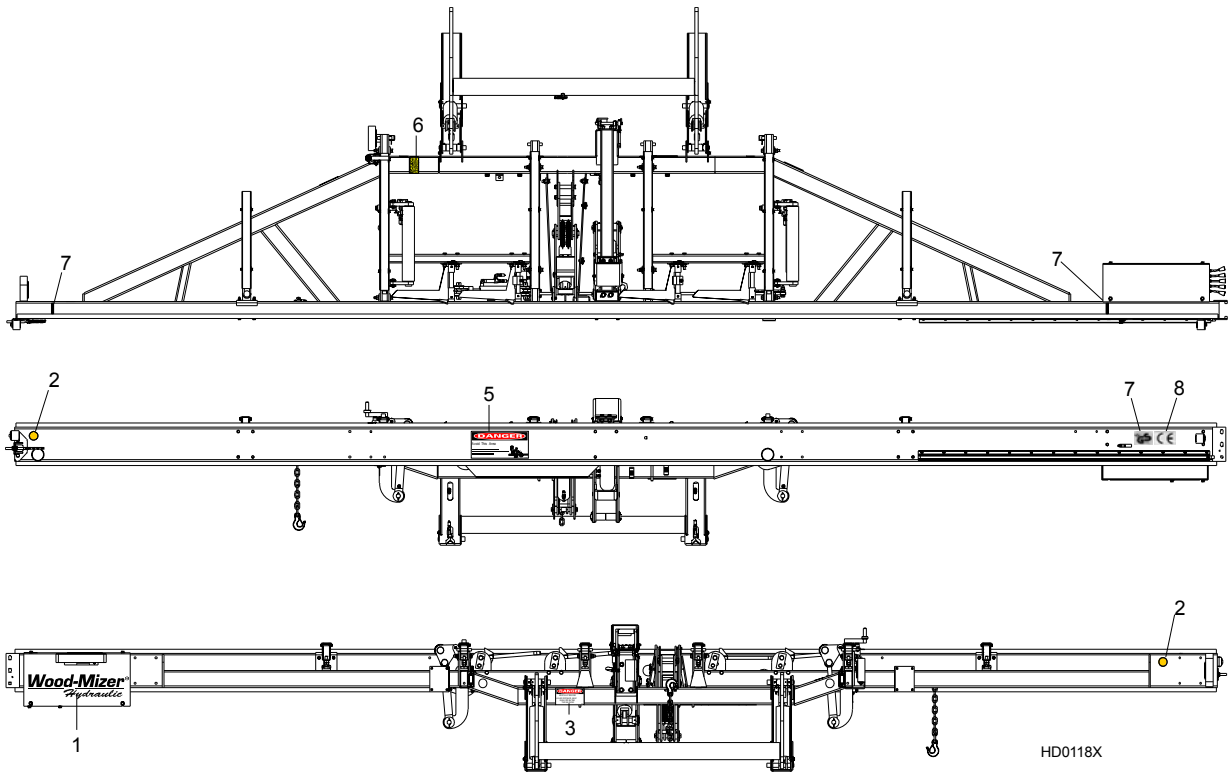
8

| | | | | |
|----|----------------------------------|-----------|---|--|
| 16 | BOLT, M12x95-8.8 HEX HEAD ZINC | F81004-29 | 1 | |
| 17 | BOLT, M10x80-8.8 HEX HEAD ZINC | F81003-50 | 1 | |
| 18 | WASHER, 10.5 FLAT ZINC | F81055-1 | 2 | |
| 19 | BUSHING, ZINC-PLATED SPACER | 090936-1 | 1 | |
| 20 | NUT, M10-8-B HEX NYLON ZINC LOCK | F81033-1 | 1 | |
| 21 | PIN, 3/8" X 2 1/4" SNAP RETAINER | 014151 | 1 | |

8 Bed Frame Assembly

Bed Frame Decals

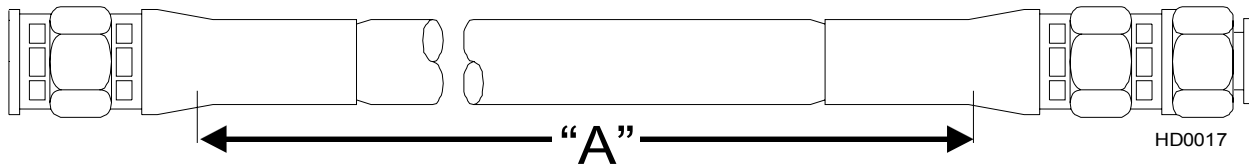
8.12 Bed Frame Decals



| REF | DESCRIPTION (◆ Indicates Parts Available In Assemblies Only) | PART # | QTY. |
|-----|--|--------|------|
| 22 | DECAL, AMBER REFLECTIVE 2" ROUND | P07453 | 2 |
| 23 | DECAL, KEEP AWAY DANGER | S09851 | 1 |
| 24 | DECAL, PINCH POINT DANGER | P10287 | 1 |
| 25 | DECAL, SAW HEAD REST CAUTION | S12581 | 1 |
| 26 | DECAL, LOG LIMIT STRIP | S12051 | 2 |
| 27 | DECAL, GS SAFETY CERTIFICATION, SMALL | P85072 | 1 |
| 28 | DECAL, CE CERTIFIED SAWMILL, SMALL | P85070 | 1 |

SECTION 9 HYDRAULIC SYSTEM

9.1 Hydraulic Hoses



| Color Code | LENGTH "A" [m] | Application | Wood-Mizer Part No. |
|-------------|----------------|---|---------------------|
| None | 0,46 | 1/4" Hydraulic Pump To Valve | 015704 |
| None | 0,46 | 1/4" Hydraulic Pump To Valve | 015704 |
| Plain | 0,69 | 3/8" LOG TURNER CYLINDER BASE | 014796 |
| Orange | 0,53 | 3/8" LOG TURNER CYLINDER TOP | 087775 |
| Yellow | 2,66 | 1/4" FRONT TOE BOARD TOP (LT40S) | 087790 |
| | 3,81 | 1/4" FRONT TOE BOARD TOP (LT40M) | 087776 |
| Gray | 2,66 | 1/4" FRONT TOE BOARD BASE (LT40S) | 087790 |
| | 3,81 | 1/4" FRONT TOE BOARD BASE (LT40M) | 087776 |
| Plain | 4,21 | 3/8" SIDE SUPPORT CYLINDER TOP (LT40S) | 087791 |
| | 4,77 | 3/8" SIDE SUPPORT CYLINDER TOP (LT40M) | 087777 |
| Pink | 4,21 | 3/8" SIDE SUPPORT CYLINDER BASE (LT40S) | 087791 |
| | 4,77 | 3/8" SIDE SUPPORT CYLINDER BASE (LT40M) | 087777 |
| White | 3,68 | 3/8" CLAMP CYLINDER TOP (LT40S) | 087792 |
| | 3,98 | 3/8" CLAMP CYLINDER TOP (LT40M) | 087778 |
| Dark Orange | 3,27 | 3/8" CLAMP CYLINDER BASE (LT40S) | 087793 |
| | 3,83 | 3/8" CLAMP CYLINDER BASE (LT40M) | 087779 |
| Purple | 5,18 | 1/4" REAR TOE BOARD TOP (LT40S) | 087794 |
| | 5,74 | 1/4" REAR TOE BOARD TOP (LT40M) | 087780 |
| Black | 5,18 | 1/4" REAR TOE BOARD BASE (LT40S) | 087794 |
| | 5,74 | 1/4" REAR TOE BOARD BASE (LT40M) | 087780 |
| Green | 1,58 | 3/8" LOADING ARM BRANCH TOP | 014797 |
| Yellow | 1,60 | 3/8" LOADING ARM BRANCH BASE | 014798 |
| Yellow | 1,80 | 3/8" LOADING ARM BRANCH BASE | 093329 |

TABLE 9-1

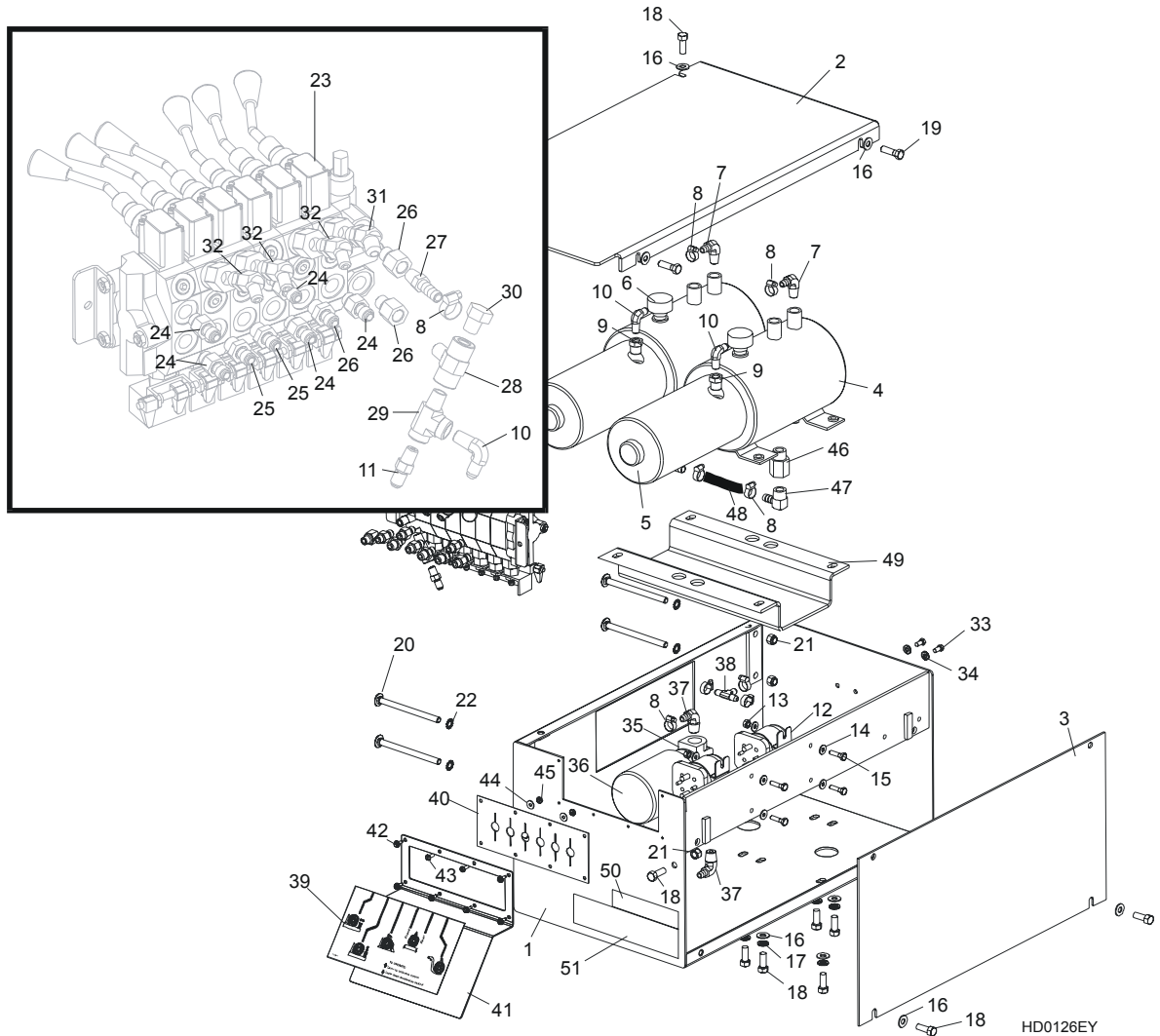
9

Hydraulic System*Hydraulic Hoses*

| | | | |
|--------|------|--|--------|
| Blue | 4,34 | 3/8" LOADING ARM CYLINDER TOP (LT40S) | 087795 |
| | 4,90 | 3/8" LOADING ARM CYLINDER TOP (LT40M) | 087781 |
| Red | 4,34 | 3/8" LOADING ARM CYLINDER BOTTOM (LT40S) | 087795 |
| | 4,90 | 3/8" LOADING ARM CYLINDER BOTTOM (LT40M) | 087781 |
| Green | 4,57 | 1/4" CLAMP UP (LT40S) | 087796 |
| | 5,13 | 1/4" CLAMP UP (LT40M) | 087789 |
| Yellow | 4,57 | 1/4" CLAMP DOWN (LT40S) | 087796 |
| | 5,13 | 1/4" CLAMP DOWN (LT40M) | 087789 |
| White | 4,00 | 1/4" FRONT LOG CLAMP, IN/OUT CYLINDER BOTTOM (A/DH5) | 094778 |
| Orange | 4,00 | 1/4" FRONT LOG CLAMP, IN/OUT CYLINDER TOP (A/DH5) | 094778 |
| Red | 3,80 | 1/4" FRONT LOG CLAMP, UP/DOWN CYLINDER BOTTOM (A/DH5) | 094779 |
| Blue | 3,80 | 1/4" FRONT LOG CLAMP, UP/DOWN CYLINDER TOP (A/DH5) | 094779 |
| White | 6,00 | 1/4" REAR LOG CLAMP, IN/OUT CYLINDER BOTTOM (A/DH5) | 094780 |
| Orange | 6,00 | 1/4" REAR LOG CLAMP, IN/OUT CYLINDER TOP (A/DH5) | 094780 |
| Red | 5,60 | 1/4" REAR LOG CLAMP, UP/DOWN CYLINDER BOTTOM (A/DH5) | 094781 |
| Blue | 5,60 | 1/4" REAR LOG CLAMP, UP/DOWN CYLINDER TOP (A/DH5) | 094781 |
| Plain | 0,40 | 1/4" HYDRAULIC VALVE TO OIL FLOW CONTROL VALVE (A/DH5) | 094782 |
| Plain | 0,53 | 1/4" HYDRAULIC PUMP TO OIL FLOW CONTROL VALVE (A/DH5) | 087775 |
| Red | 1,50 | 1/4" FIRST CLAMP, UP/DOWN CYLINDER BOTTOM (A/DH7) | 095211 |
| Blue | 1,50 | 1/4" FIRST CLAMP, UP/DOWN CYLINDER TOP (A/DH7) | 095211 |
| Red | 4,00 | 1/4" SECOND CLAMP, UP/DOWN CYLINDER BOTTOM (A/DH7) | 095212 |
| Blue | 4,00 | 1/4" SECOND CLAMP, UP/DOWN CYLINDER TOP (A/DH7) | 095212 |
| Red | 8,00 | 1/4" THIRD CLAMP, UP/DOWN CYLINDER BOTTOM (A/DH7) | 095213 |
| Blue | 8,00 | 1/4" THIRD CLAMP, UP/DOWN CYLINDER TOP (A/DH7) | 095213 |
| Orange | 0,40 | 1/4" HYDRAULIC VALVE POWER CORD TO CLAMP IN/OUT CYLINDER T-FITTING, BOTTOM (A/DH7) | 095214 |
| White | 0,40 | 1/4" HYDRAULIC VALVE POWER CORD TO CLAMP IN/OUT CYLINDER T-FITTING, TOP (A/DH7) | 095214 |
| Orange | 7,00 | 1/4" THIRD CLAMP, IN/OUT CYLINDER BOTTOM (A/DH7) | 095215 |
| White | 7,00 | 1/4" THIRD CLAMP, IN/OUT CYLINDER TOP (A/DH7) | 095215 |
| Orange | 2,50 | 1/4" FIRST/SECOND CLAMP, IN/OUT CYLINDER BOTTOM (A/DH7) | 095216 |
| White | 2,50 | 1/4" FIRST/SECOND CLAMP, IN/OUT CYLINDER TOP (A/DH7) | 095216 |
| Orange | 1,20 | 1/4" FIRST/SECOND CLAMP, IN/OUT CYLINDER BOTTOM (A/DH7) | 095217 |
| White | 1,20 | 1/4" FIRST/SECOND CLAMP, IN/OUT CYLINDER TOP (A/DH7) | 095217 |

TABLE 9-1

9.2 Hydraulic Control Box, LT70 Series DH3

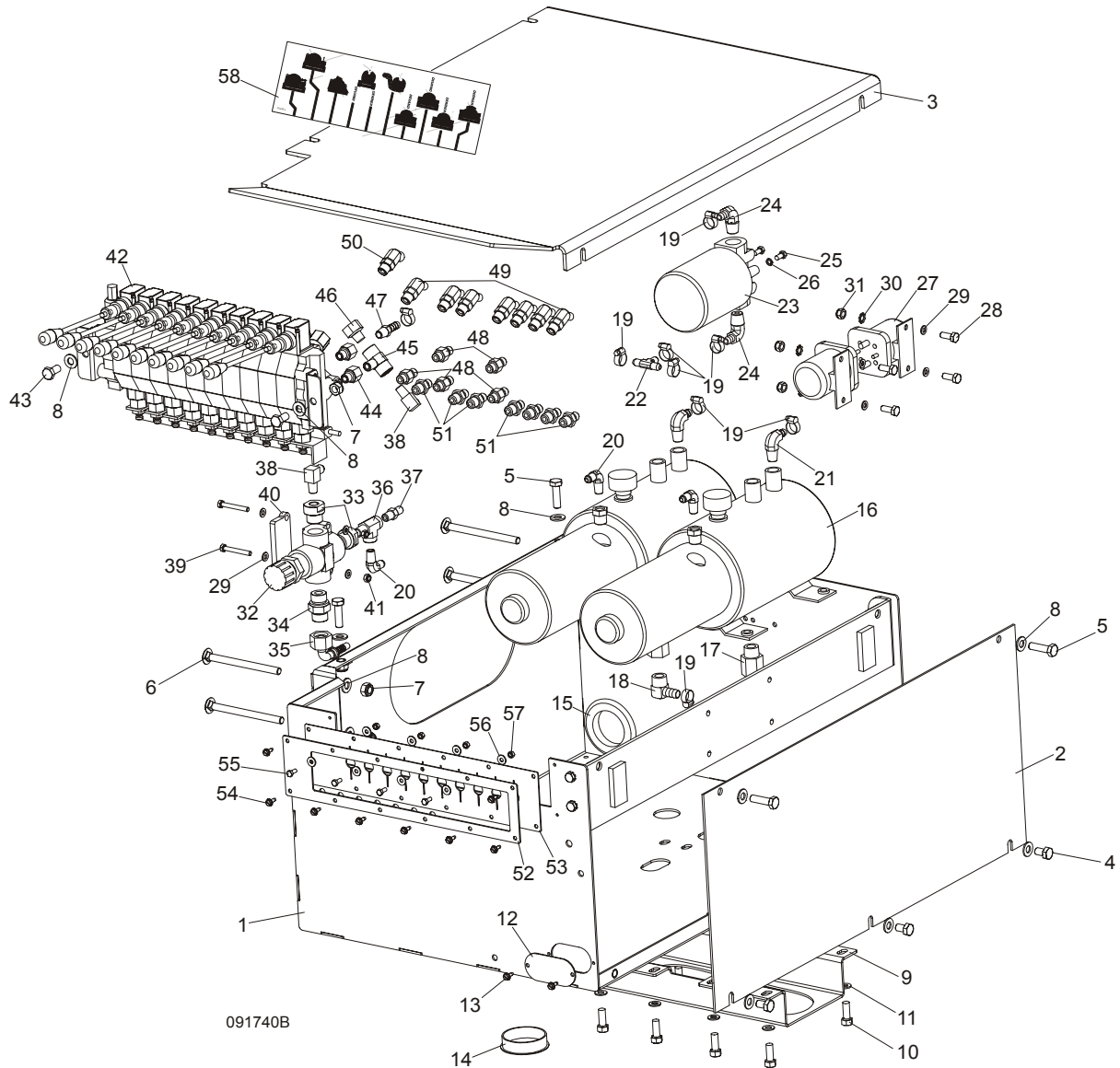


| REF | DESCRIPTION (◆ Indicates Parts Available In Assemblies Only) | PART # | QTY. |
|-----|--|----------|------|
| 1 | BOX WELDMENT, SUPER HYDRAULIC PUMP HOUSING | 092243-1 | 1 |
| 2 | COVER, SUPER HYDRAULIC PUMP HOUSING TOP | 086485-1 | 1 |
| 3 | COVER, SUPER HYDRAULIC PUMP HOUSING SIDE | 086484-1 | 1 |
| 4 | PUMP W/MOTOR, HYDRAULIC #M-300-0230 | P12701 | 2 |
| 5 | Motor, 12 VDC Hydraulic Pump #08058 | P09955 | 1 |
| | Brush Kit, 4-Valve Hydraulic Pump Motor #08658 | P09585 | 1 |
| | Bearing, Base Motor #02318 | P12513 | 1 |
| 6 | Cap, Hydraulic Pump Vented Fill #03171 | P12817 | 1 |
| | O-Ring, Hydraulic Pump/Reservoir #02352 | P10198 | 1 |

| | | | | |
|----|--|------------|-------|--|
| | Seal, Hydraulic Pump/Motor #02330 | P10315 | 1 | |
| 7 | FITTING, #6-6 (3/8" NPT) - 3/8" HOSE BARB ELBOW | P12708 | 2 | |
| 8 | CLAMP, 11/16" HOSE | P12739 | 10 | |
| 9 | FITTING, 3/8" NPT - 1/4" NPT REDUCER | 015490 | 2 | |
| 10 | FITTING, 1/4" NPT - 1/4" JIC ELBOW | P09142 | 3 | |
| 11 | FITTING, 1/4" NPT - 1/4" JIC | P09143 | 1 | |
| 12 | SOLENOID, 200A 12V SPST HYDRAULIC PUMP MOTOR | 015470 | 2 | |
| 13 | NUT, #1/4-20 SELF LOCKING | F05010-9 | 4 | |
| 14 | WASHER, 7.4 FLAT | F81056-11 | 8 | |
| 15 | BOLT, #1/4-20 X 1" HEX HEAD | F05005-38 | 4 | |
| | FLUID, 1-QUART DEXRON III HYDRAULIC | P12742 | 8.5 l | |
| | FLUID, 1-GALLON EXXON UNIVIS J26 HYDRAULIC | P12824 | 8.5 l | |
| | FLUID, 1-GALLON EXXON UNIVIS P13 HYDRAULIC | P12822 | 8.5 l | |
| | DECAL, HYDRAULIC FLUID REPLACEMENT | S12825 | 1 | |
| 16 | WASHER, 10.5 FLAT | F81055-1 | 14 | |
| 17 | WASHER, 10.2 SPLIT LOCK | F81055-2 | 8 | |
| 18 | BOLT, 3/8-16 X 1" HEX HEAD | F05007-7 | 14 | |
| 19 | BOLT, 3/8-16 X 1 1/4" HEX HEAD | F05007-2 | 2 | |
| 20 | BOLT, 3/8-16 X 5" CARRIAGE HEAD | F05007-113 | 4 | |
| 21 | WASHER, 3/8" EXTERNAL STAR LOCK | F05011-36 | 4 | |
| 22 | NUT, 3/8-16 HEX NYLON LOCK | F05010-10 | 6 | |
| 23 | VALVE, HYDRAULIC 6 SECTION (See Form 575 FOR VALVE SERVICE PARTS) | 015260 | 1 | |
| | SWITCH, HYDRAULIC VALVE ELECTRIC | 014765 | 1 | |
| 24 | FITTING, 3/8" O-RING - 3/8" JIC | 014687 | 5 | |
| 25 | FITTING, 3/8" O-RING - 1/4" JIC | P26284 | 3 | |
| 26 | FITTING, #6 SAE MALE - 1/4" NPT FEMALE | 014686 | 2 | |
| 27 | FITTING, 1/4" NPT X 3/8" HOSE BARB | 014685 | 1 | |
| 28 | FITTING, 1/4" NPT BRANCH T | 015486 | 1 | |
| 29 | FITTING, 1/4" NPT - 1/4" JIC MALE RUN T | P09141 | 1 | |
| 30 | PLUG, 1/4" NPT BLANK | 096221 | 1 | |
| 31 | FITTING, #6 SAE - 3/8" JIC 45° ELBOW | 015489 | 1 | |
| 32 | FITTING, #6 SAE - 1/4" JIC 45° ELBOW | 015488 | 3 | |
| 33 | BOLT, 1/4-20 X 1/2" HEX HEAD | F05005-15 | 2 | |
| 34 | WASHER, 6.1 SPLIT LOCK | F81053-3 | 2 | |
| 35 | MANIFOLD, HYDRAULIC CARTRIDGE FILTER | P22683 | 1 | |
| 36 | Filter, S28 Hydraulic Cartridge | P20301 | 1 | |
| 37 | FITTING, #6-8 (1/2" NPT) - 3/8" HOSE BARB ELBOW | P12707 | 2 | |
| 38 | FITTING, 3/8" HOSE BARB T | 015485 | 1 | |
| 39 | DECAL, 1997 SUPER HYDRAULIC CONTROL BOX | 015364 | 1 | |
| | HOSE, 3/8" LOW PRESSURE HYDRAULIC | R01892-1 | A/R | |
| 40 | SEAL, RUBBER VALVE HANDLE | 015079 | 1 | |
| 41 | PLATE, VALVE HANDLE DECAL | 015078 | 1 | |
| 42 | SCREW, #10 X 1/2 SLOTTED HEX SELF-TAPPING | F05015-7 | 6 | |

| | | | | |
|----|---|------------|-------|--|
| 43 | SCREW, #10-24 X 1/2" SLOTTED HEX HEAD | F05015-4 | 2 | |
| 44 | WASHER, 5.3 FLAT | F81052-1 | 2 | |
| 45 | NUT, #10-24 SELF-LOCKING HEX | F05010-14 | 2 | |
| 46 | FITTING, 1/2" NPT - 1/2" NPT ADAPTOR | 015995 | 2 | |
| 47 | FITTING, 1/2" NPT - 1/2" HOSE BARB 90° ELBOW | 015997 | 2 | |
| 48 | HOSE, 1/2" ID HYDRAULIC LOW PRESSURE | R02133 | .15 m | |
| 49 | GUARD, HYDRAULIC CROSSOVER | 015992 | 1 | |
| | GROUNDING ASSEMBLY, HYDRAULIC PUMP | N/A | 1 | |
| | Bolt, 3/8-16 x 1/2" Hex Head Grade 5 | F05004-124 | 2 | |
| | Cable, 1AWG SO Welding | R01971 | 1 l | |
| | Terminal, 5/16 1-2Gauge Ring NI Loose | F05092-16 | 4 | |
| | Washer, 3/8" Star External | F05011-36 | 3 | |
| 50 | DECAL, HYDRAULIC WORKING PRESSURE | P85069 | 1 | |
| 51 | DECAL, HYDRAULIC FLUID | P85068 | 1 | |

9.3 Hydraulic Control Box, LT70 Series DH5/7



| REF | DESCRIPTION (◆ Indicates Parts Available In Assemblies Only) | PART # | QTY. |
|-----|--|----------------------|--------|
| | BOX ASSEMBLY, LT40 DH5 HYDRAULIC CONTROL | 091740 | 1 |
| 1 | Box Weldment, Hydraulic Pump Housing <i>Wspornik wzdluzny kompl. skrz. hydr. AC</i> | 091729-1 086518-1 | 1 1 |
| | Bolt, M8X20mm, Hex Head, GR 5.8 Zinc | F81002-4 | 4 |
| | Washer, M8 Crown Lock Zinc | F81054-3 | 4 |
| 2 | Cover, AC Hydraulic Pump Housing Side | 086484-1 | 1 |
| 3 | Cover, AC/DC Hydraulic Pump Housing Top | 091734-1 | 1 |

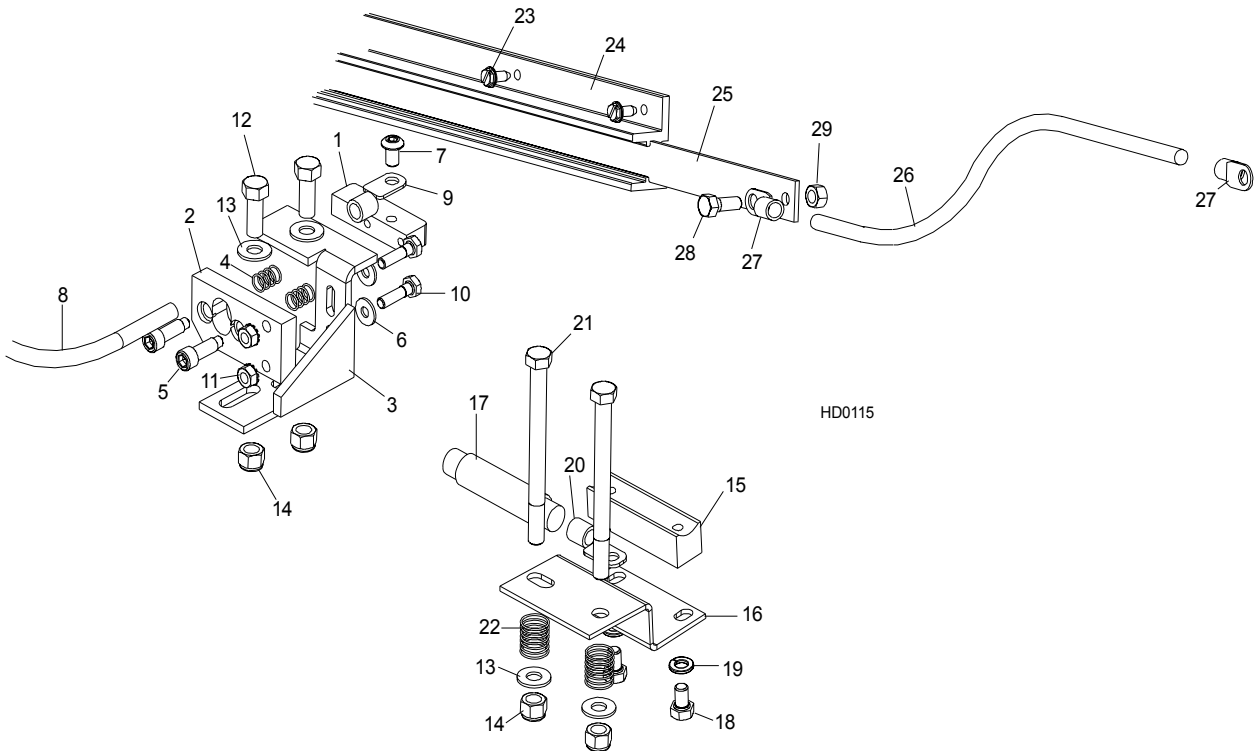
| | | | | |
|----|--|-----------|----|--|
| 4 | Bolt, M10x16-8.8 Hex Head Full Thread Zinc | F81003-13 | 3 | |
| 5 | Bolt, M10x35-8.8 Hex Head Full Thread Zinc | F81003-17 | 4 | |
| 6 | Bolt, M10x125 8.8 Carriage Head Zinc | F81003-34 | 4 | |
| 7 | Nut, M10-8-B Hex Nylon Zinc Lock | F81033-1 | 6 | |
| 8 | Washer, 10.5 Flat Zinc | F81055-1 | 13 | |
| 9 | Guard, Hydraulic Crossover | 092707-1 | 1 | |
| 10 | Screw, 3/8-16x1 HHC | F05007-7 | 4 | |
| 11 | Washer, 8.4 Flat Zinc | F81054-1 | 4 | |
| 12 | Cap, Hydraulic Control Box | 091733-1 | 1 | |
| 13 | Bolt, #10-24x1/2, Self Tap | F05015-7 | 2 | |
| 14 | Cap, HSA2790 (63.6 Dia.) | 092859 | 1 | |
| 15 | Seal Rubber, Wire | 085614 | 1 | |
| 16 | Pump Assy, W/Motor Hyd | P12701 | 2 | |
| 17 | Fitting, 1/2NPT-1/2NPT Adaptor | 015995 | 2 | |
| 18 | Fitting, 1/2NPT-1/2 Hose Barb 90Deg | 015997 | 2 | |
| 19 | Clamp, 11/16 Hose | P12739 | 3 | |
| 20 | Fitting, 1/4NPTx1/4JIC Male Elbow | P09142 | 3 | |
| 21 | Fitting, 3/8" NPT - 3/8" Barb Elbow | P12708 | 2 | |
| 22 | Fitting, 3/8" Barb Tee | 015485 | 1 | |
| 23 | Manifold, 1.2" W/Filter | P22683 | 1 | |
| 24 | Fitting, 1/2" NPT - 3/8" Barb Elbow | P12707 | 2 | |
| 25 | Bolt, 1/4-20 x 1/2" Hex Head Zinc Grade 2 | F05005-15 | 2 | |
| 26 | Washer, Z6.1 Split Lock Zinc | F81053-3 | 2 | |
| 27 | Solenoid, 200A 12V SPST Hyd. Pump 1997 | 015470 | 2 | |
| 28 | Bolt, M8X20mm, Hex Head,GR 5.8 Zinc | F81002-4 | 4 | |
| 29 | Washer, 6.4 Flat Zinc | F81053-1 | 8 | |
| 30 | Washer, M8 Crown Lock Zinc | F81054-3 | 4 | |
| 31 | Nut, M8-8-B Hex Nylon Zinc Lock | F81032-2 | 4 | |
| 32 | Valve, MTKA.VB Oil Flow Control | 093794 | 1 | |
| 33 | Fitting, M22x1.5 / 1/4 - 18 NPT Zinc | 093139-1 | 2 | |
| 34 | Fitting, VMNW10HS22 | 094486 | 1 | |
| 35 | Fitting, PN10AOL13-90 Elbow | 094485 | 1 | |
| 36 | Fitting, 1/4 NPT x 1/4 JIC Male Run Tee | P09141 | 1 | |
| 37 | Fitting, 1/4NPTx1/4JIC Male | P09143 | 1 | |
| 38 | Fitting, 3/8 JIC - 1/4 NPT 90L | 015491 | 2 | |
| 39 | Bolt, M6x45-8.8 Hex Head Zinc | F81001-6 | 2 | |
| 40 | Plate, MTKA Control Valve Spacer Zinc-Plated | 094477-1 | 1 | |
| 41 | Nut, M6-8-B Hex Nylon Zinc Lock | F81031-2 | 2 | |
| 42 | Valve, HDS11/10 6-Section Hydraulic | 091344 | 1 | |
| 43 | Bolt, M10x20-5.8 Hex Head Full Thread Zinc | F81003-1 | 2 | |
| 44 | Fitting, #6 SAE Male - 1/4" NPT Female | 014686 | 2 | |
| 45 | Fitting, 1/4NPT Branch Tee | 015486 | 1 | |
| 46 | Plug, 1/4" NPT Blank | 096221 | 1 | |

9

Hydraulic System*Hydraulic Control Box, LT70 Series DH5/7*

| | | | | |
|----|---|----------|---|--|
| 47 | Fitting, 1/4" NPT x 3/8" Hose Barb | 014685 | 1 | |
| 48 | Fitting, 3/8" O-Ring - 3/8" JIC | 014687 | 5 | |
| 49 | Fitting, #4 SAE - #6 SAE 45° Elbow | 015488 | 7 | |
| 50 | Fitting, #6 SAE 45° Elbow | 015489 | 1 | |
| 51 | Fitting, 3/8" O-Ring - 1/4" JIC | P26284 | 7 | |
| 52 | Plate, 10-Section Valve Painted | 091826-1 | 1 | |
| 53 | Guard, 10-Section Valve Rubber | 091739 | 1 | |
| 54 | Screw, #10-24x1/2 Self-Tapping | F05015-7 | 8 | |
| 55 | Bolt, M5x12-5.8 Hex Head Full Thread Zinc | F81000-5 | 4 | |
| 56 | Washer, 5.5 Special Flat Zinc-Plated | F81052-3 | 8 | |
| 57 | Nut, M5-8 Hex Zinc | F81030-1 | 4 | |
| 58 | Decal, DH5 Hydraulic Control Box | 094795 | 1 | |
| | Decal, DH7 Hydraulic Control Box | 094970 | 1 | |

9.4 Hydraulic Power Supply Strip



| REF | DESCRIPTION (◆ Indicates Parts Available In Assemblies Only) | PART # | QTY. | |
|-----|--|-----------|-------|---|
| | CONTACT KIT, HYDRAULIC 6' POWER SUPPLY | A12042-N | 1 | |
| | Contact Hardware Kit | A10073-N | 1 | ◆ |
| | Contact Assembly, Hydraulic Power Supply (Positive) | 085968 | 1 | |
| 1 | Contact, Hydraulic Power Supply (Positive) | 015253 | 1 | |
| 2 | Insulator, Positive Contact | S10072 | 1 | |
| 3 | Bracket, Positive Contact Mounting | 086380-1 | 1 | |
| 4 | Spring, Positive Contact | P10077 | 2 | |
| 5 | Bolt, 5/16" X 3/4" Shoulder (1/4-20 Thread) | F05006-44 | 2 | |
| 6 | Washer, 7.4 Flat Zinc | F81056-11 | 2 | |
| 7 | Bolt, 5/16-18 x 1/2" Socket Button Head | F05006-20 | 1 | |
| | Cable Assy, Hydraulic Positive Contact | 015885 | 1 | |
| 8 | Cable, #1 Weld | R01948 | 0.75m | ◆ |
| 9 | Terminal, 35 Ring #2 Gauge | F81066-3 | 2 | |
| 10 | Bolt, 1/4-20 X 1" Hex Head Zinc Grade 2 | F05005-38 | 2 | |
| 11 | Nut, 1/4-20 Self-Locking Hex Zinc | F05010-9 | 2 | |
| 12 | Bolt, 3/8-16 X 1" Hex Head Zinc Grade 5 | F05007-87 | 2 | |

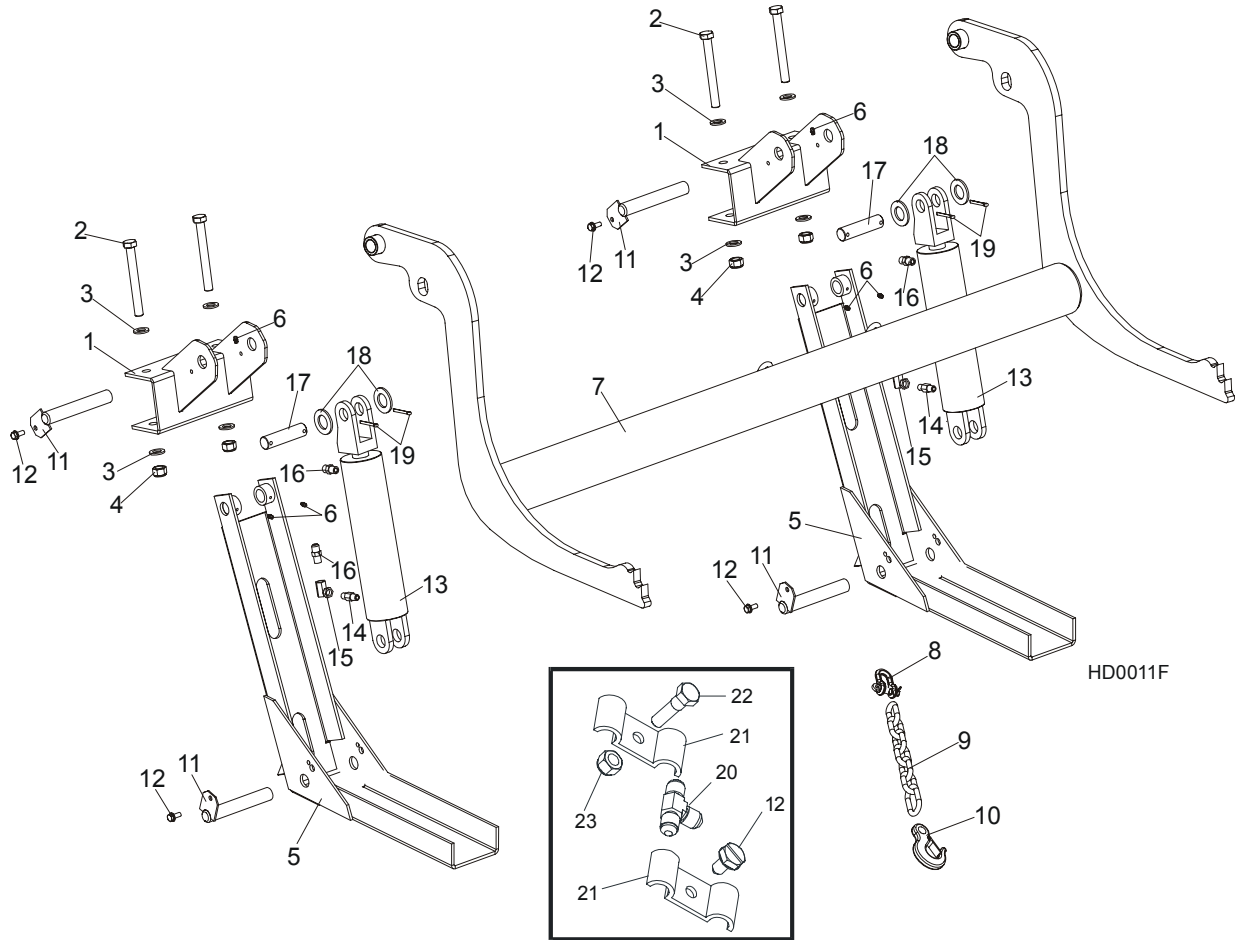
9

Hydraulic System

Hydraulic Power Supply Strip

| | | | | |
|----|---|-----------|------|---|
| 13 | Washer, 10.5 Flat Zinc | F81055-1 | 4 | |
| 14 | Nut, 3/8-16 Hex Nylon Lock | F05010-10 | 4 | |
| | Contact Assembly, Hydraulic Power Supply (Ground) | A10066 | 1 | |
| 15 | Contact, Hydraulic Power Supply (Ground) | 015264 | 1 | |
| 16 | Bracket, Ground Contact Mounting | 015265 | 1 | |
| 17 | Cable, #1 Weld | R01948 | .63m | ◆ |
| 18 | Bolt, 5/16-18 X 1/2" Hex Head Zinc Grade 5 | F05006-15 | 2 | |
| 19 | Washer, 8.2 Split Lock Zinc | F81054-4 | 2 | |
| 20 | Terminal, 35 Ring #2 Gauge | F81066-3 | 1 | |
| 21 | Bolt, 3/8-16 X 4 1/2" Hex Head Zinc Grade 2 | F05007-35 | 2 | |
| 22 | Spring, Ground Contact | P04282 | 2 | |
| 23 | Screw, 1/4-20 X 1/2" "23" Type Self-Tapping | F05015-1 | 14 | |
| 24 | Housing, 6' Contact Strip | P11976 | 1 | |
| 25 | Strip, 6' Contact | S10075 | 1 | ◆ |
| 26 | Cable, #2 Weld | R80583-21 | | ◆ |
| 27 | Terminal, 35 Ring #2 Gauge | F81066-3 | | |
| 28 | Bolt, 5/16-18 X 3/4" Hex Head Black Nylon | F05006-45 | 1 | |
| 29 | Nut, 5/16-18 Hex Black Nylon | F05010-86 | 1 | |
| | Tube, 5/8" Heat Shrink | R01950-5 | m | ◆ |
| | Grommet, 5/8" Wire | P04137 | | |

9.5 Hydraulic Log Loader



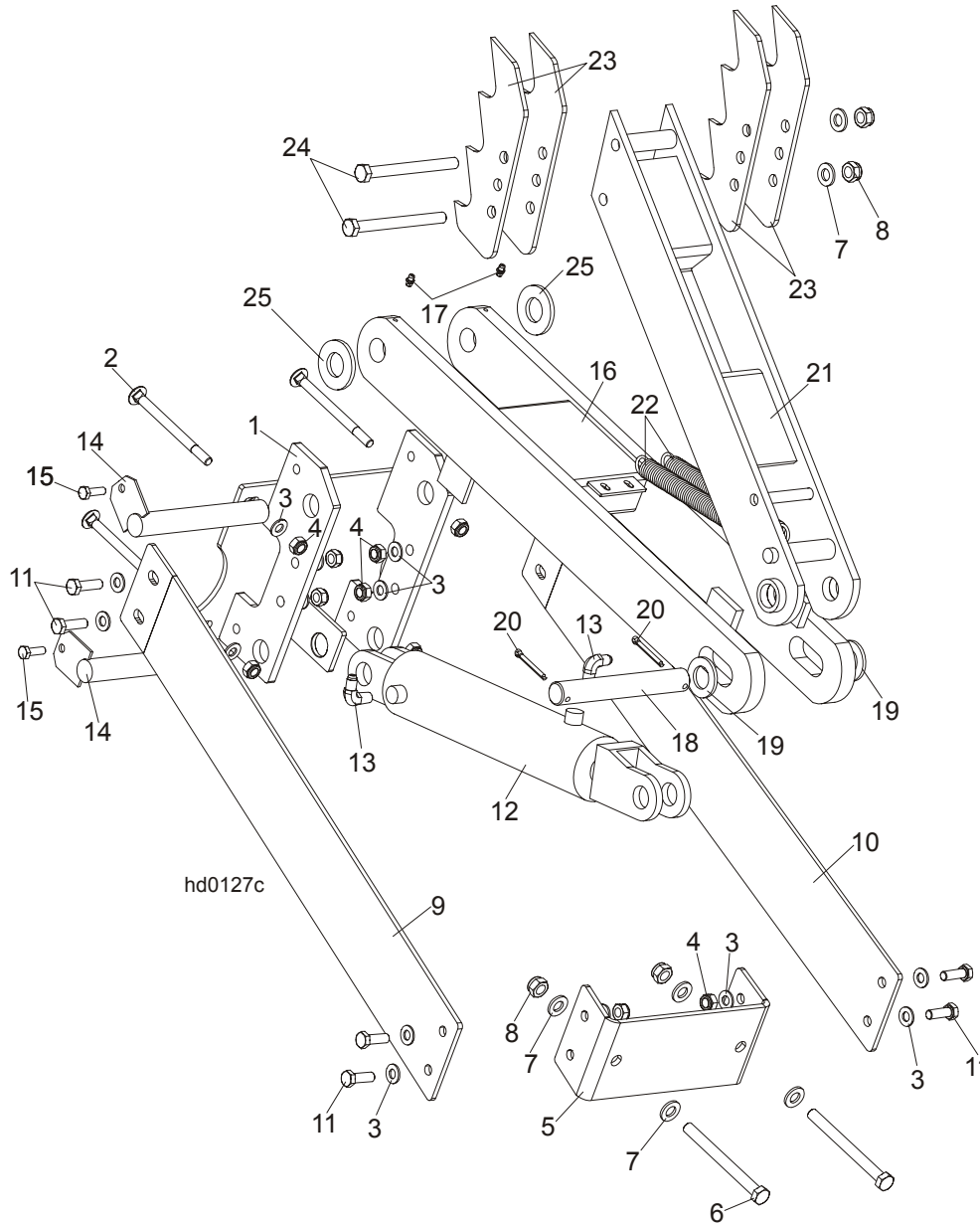
| REF | DESCRIPTION (◆ Indicates Parts Available In Assemblies Only) | PART # | QTY. |
|-----|--|----------|------|
| | LOADER KIT, HYDRAULIC LOG | 090527 | 1 |
| 1 | Bracket, Hydraulic Log Loader | 087938-1 | 1 |
| 2 | Bolt, M16x140mm Hex Head Zinc Grade 8.8 | F81006-4 | 4 |
| 3 | Washer, M16 Flat Zinc | F81058-1 | 8 |
| 4 | Nut, M16 Hex Nylon Zinc Lock | F81036-2 | 4 |
| | Channel, Hydraulic Log Loading Foot Complete | 090049 | 2 |
| 5 | Channel, Hydraulic Log Loading Foot | 090048-1 | 2 |
| 6 | Fitting, 3/16x3/16 Straight Grease | P04107 | 6 |
| | Arm, Hydraulic Log Loading Complete | 090044 | 1 |
| 7 | Arm, Hydraulic Log Loading | 090006-1 | 1 |
| 8 | Shackle, M-WL. .63 | 086540 | 1 |
| 9 | Chain, Hydraulic Log Loader Safety | A04376 | 1 |

9

Hydraulic System
Hydraulic Log Loader

| | | | | |
|----|---------------------------------------|-----------|---|--|
| 10 | Hook, 5/8 Safety Chain | P12075 | 1 | |
| 11 | Pin, Turner Arm | W09446-1 | 4 | |
| 12 | Screw, 5/16-18x3/4 Self-Tapping | F05015-30 | 4 | |
| 13 | Cylinder Assy, Log Loading Super | 015562 | 2 | |
| 14 | Fitting, 1/4NPT Velocity Fuse 5.0GPM | 015750 | 2 | |
| 15 | Fitting, 1/4NPT-1/4JIC Swivel Elbow | P12199 | 2 | |
| 16 | Fitting, 3/8JIC-1/4NPT Straight | 015560 | 4 | |
| 17 | Pin, Cylinder Hydraulic | 086979-1 | 2 | |
| 18 | Washer, 28 Flat Zinc | F81061-1 | 4 | |
| 19 | Pin, 5x40 Cotter | F81043-31 | 4 | |
| 20 | Fitting, 3/8 Barb Tee | 015485 | 1 | |
| 21 | Clamp, 3/8 Hose | 016041 | 2 | |
| 22 | Bolt, 5/16-18x1 Hex Head Zinc Grade 2 | F05006-1 | 1 | |
| 23 | Nut, 5/16-18 Nylon Zinc Lock | F05010-58 | 1 | |

9.6 Hydraulic Log Turner



| REF | DESCRIPTION (◆ Indicates Parts Available In Assemblies Only) | PART # | QTY. |
|-----|--|-----------|------|
| | HYDRAULIC LOG TURNER OPTION (S/M TYPE FRAME) | 088711 | 1 |
| 1 | Bracket, Hydraulic Log Turner (S/M TYPE FRAME) | 088710-1 | 1 |
| 2 | Bolt, M10x120 8.8 Carriage Head Zinc | F81003-33 | 4 |
| 3 | Washer, M10 Flat Zinc | F81055-1 | 20 |
| 4 | Nut, M10 Hex Nylon Zinc Lock | F81033-1 | 12 |

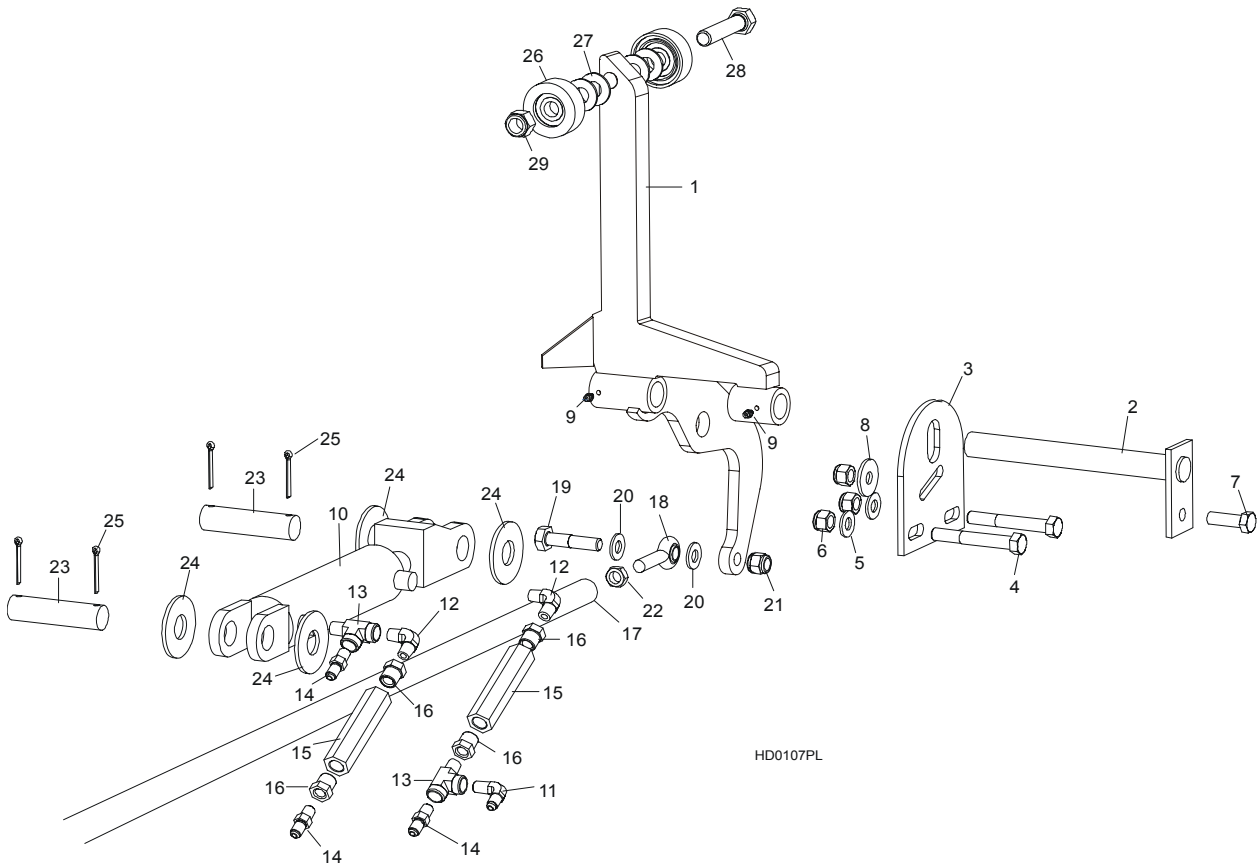
9

Hydraulic System

Hydraulic Log Turner

| | | | | |
|----|--|-----------|---|--|
| 5 | Bracket, Hydraulic Log Turner Front | 091046-1 | 1 | |
| 6 | Bolt, M12x130-8.8 Hex Head Zinc | F81004-36 | 2 | |
| 7 | Washer, M12 Flat Zinc | F81056-1 | 6 | |
| 8 | Nut, M12 Hex Nylon Zinc Lock | F81034-2 | 4 | |
| 9 | Plate, Hydraulic Log Turner Left | 091048-1 | 1 | |
| 10 | Plate, Hydraulic Log Turner Right | 091049-1 | 1 | |
| 11 | Bolt, M10x30mm Hex Head Zinc Grade 5.8 | F81003-2 | 8 | |
| | Cylinder Assy, Log Turner Super | 015563 | 1 | |
| 12 | Cylinder, CJ-S305-16-63/28/203 Hydraulic | 088679 | 1 | |
| 13 | Fitting, 1/4NPTx1/4JIC Male Elbow | P09142 | 2 | |
| 14 | Pin, Log Turner Mount | 088667-1 | 2 | |
| 15 | Bolt, M8 x 25mm Hex Head Zinc Grade 5.8 | F81002-5 | 2 | |
| 16 | Arm, Hydraulic Log Turner Link | 088060-1 | 1 | |
| 17 | Fitting, M6 Grease | 086280 | 2 | |
| 18 | Pin, 25 X 180 | 088664 | 1 | |
| 19 | Washer, 25 Zinc | F81061-3 | 2 | |
| 20 | Pin, 5x40 Cotter | F81043-31 | 2 | |
| 21 | Arm, Hydraulic Log Turner Painted | 088067-1 | 1 | |
| 22 | Spring, 7/8x8 1/2x1/8 Extension | P09136 | 2 | |
| 23 | Claw, Hydraulic Log Turner | 088082-1 | 4 | |
| 24 | Bolt, M12x130-8.8 Hex Head Zinc | F81004-36 | 2 | |
| 25 | Washer, GTM-2644-015 | 093359 | 2 | |

9.7 Hydraulic Log Side Supports (S/M Type Frame)



HD0107PL

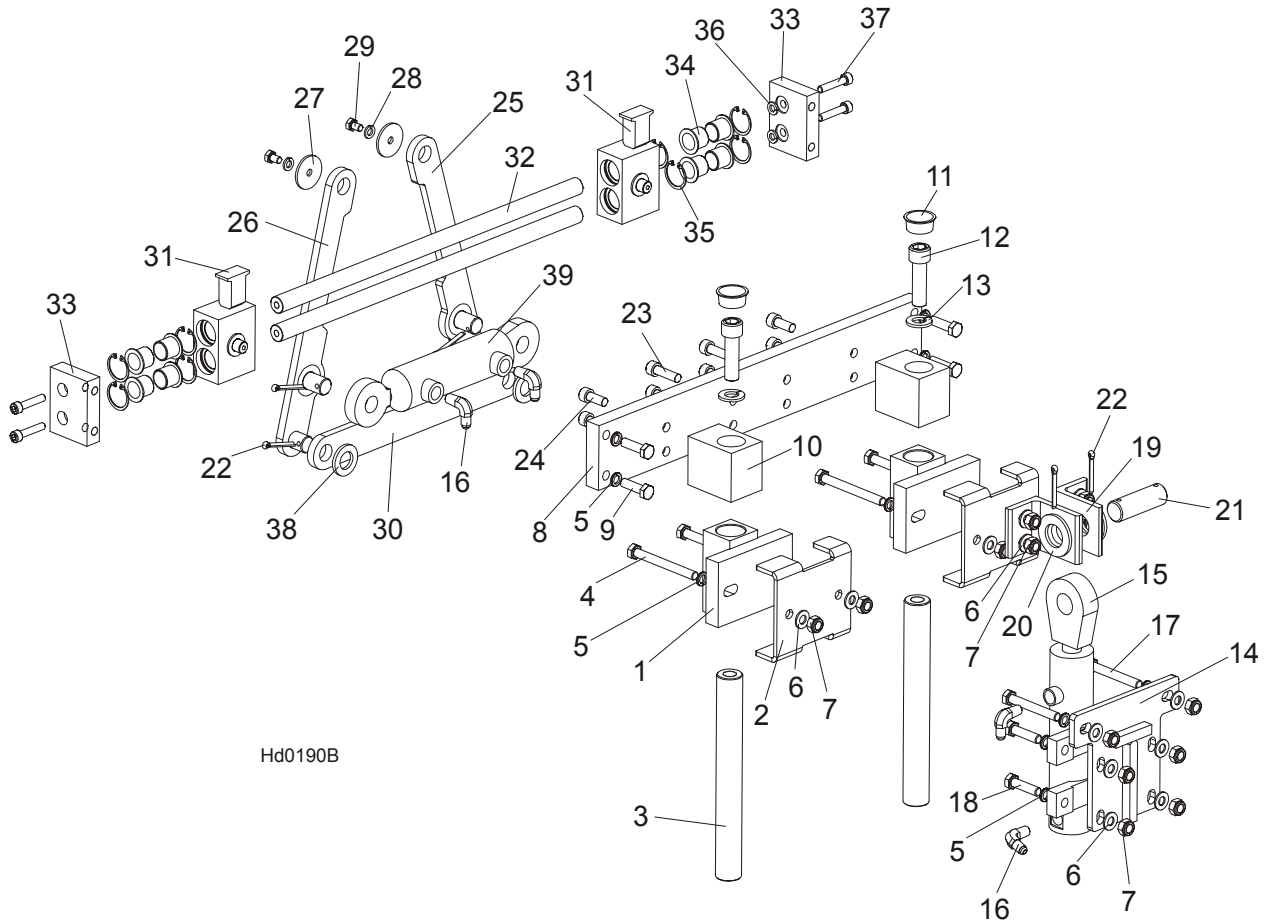
| REF | DESCRIPTION (◆ Indicates Parts Available In Assemblies Only) | PART # | QTY. | |
|-----------|--|-----------|------|---|
| | HYDRAULIC LOG SIDE SUPPORTS (S/M TYPE FRAME) | 092611 | 1 | |
| 1 | SUPPORT, HYDRAULIC LOG SIDE | 091653-1 | 2 | |
| 2 | PIN, LOG SIDE SUPPORT PIVOT | 091549-1 | 1 | |
| 3 | PLATE, LOG SIDE SUPPORT END | 091591-1 | 1 | |
| 4 | BOLT, M12X75-8.8 HEX HEAD ZINC | F81004-21 | 2 | |
| 5 | WASHER, 13 FLAT ZINC | F81056-1 | 2 | |
| 6 | NUT, M12-8 HEX NYLON ZINC LOCK | F81034-2 | 3 | |
| 7 | BOLT, M12 X 35-8.8 HEX HEAD FULL THREAD ZINC | F81004-24 | 1 | |
| 8 | WASHER, 15 SPECIAL FLAT ZINC | F81057-3 | 1 | |
| 9 | FITTING, 3/16" GREASE | P04107 | 4 | |
| | CYLINDER ASSY, 2x6 SIDE SUPPORT SUPER | 015561 | 1 | |
| 10 | Cylinder, CJ-S270-16-50/28/152 Hydraulic | 088678 | 1 | ◆ |
| | Seal Kit, 6" x 2" Hydraulic Cylinder | P12954 | 1 | |
| 11 | Fitting, 3/8JIC-1/4NPT 90L | 015491 | 2 | |

9

Hydraulic System*Hydraulic Log Side Supports (S/M Type Frame)*

| | | | | |
|----|---|------------|---|--|
| 12 | Fitting, C3529x4 90° Pipe | P09140 | 4 | |
| 13 | Fitting, C3759x4 Male 'T' | P09141 | 2 | |
| 14 | Fitting, 3/8JIC-1/4NPT Str | 015560 | 2 | |
| 15 | Valve, Hydraulic Sequence | 015484 | 2 | |
| 16 | Fitting, 3/8" NPT - 1/4" NPT Reducer | 015490 | 4 | |
| 17 | ROD, HYDRAULIC SIDE SUPPORT LINK | 089374-1 | 1 | |
| 18 | END, RIGHT ROD | 087035 | 1 | |
| | END, LEFT ROD | 087036 | 1 | |
| 19 | BOLT, M12 X 45-8.8 HEX HEAD ZINC | F81004-32 | 2 | |
| 20 | WASHER, 13 FLAT ZINC | F81056-1 | 4 | |
| 21 | NUT, M12-8 HEX NYLON ZINC LOCK | F81034-2 | 2 | |
| 22 | NUT, M12-04-A RIGHT HEX JAM | F81034-6 | 1 | |
| | NUT, M12-04-A LEFT HEX JAM | F81034-7 | 1 | |
| 23 | PIN, CYLINDER MOUNT | 086979-1 | 2 | |
| 24 | WASHER, 28 FLAT ZINC | F81061-1 | 4 | |
| 25 | PIN, 5 X 40 COTTER | F81043-31 | 4 | |
| | ROLLER KIT, SIDE SUPPORT | 015109 | 2 | |
| 26 | Roller Assembly, Side Support | 015014-1 | 2 | |
| 27 | Washer, 17 Flat Zinc | F81058-1 | 4 | |
| 28 | BOLT, M16x65MM, HH F/THRD, GRADE 5.8, ZINC | F81006-1 | 1 | |
| 29 | NUT, M16,HEX, NYLON ZINC LOCK | F81036-2 | 1 | |
| | Instruction Sheet, Side Support Roller | 015109-526 | 1 | |

9.8 Hydraulic Log Clamp, Right



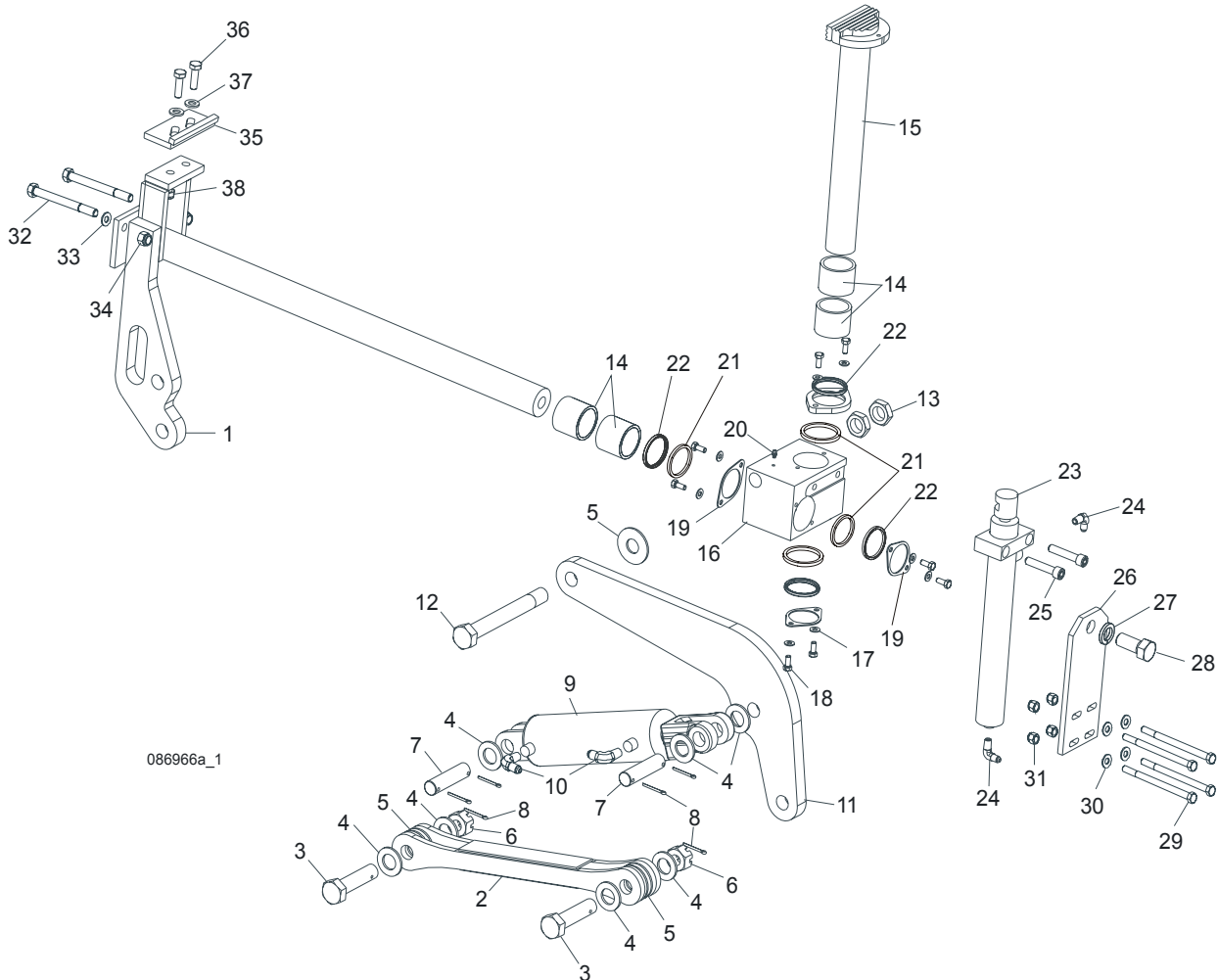
| REF | DESCRIPTION (◆ Indicates Parts Available In Assemblies Only) | PART # | QTY. |
|-----|--|-----------|------|
| | RIGHT HYDRAULIC LOG CLAMP ASSEMBLY (FRONT) | 094130 | 1 |
| 1 | Block Weldment, Log Clamp Up/Down Painted | 090545-1 | 2 |
| 2 | Bracket, Log Clamp Mount Painted | 094098-1 | 2 |
| 3 | Pin, Log Clamp Up/Down | 088631 | 2 |
| 4 | Bolt, M10x95-8.8-B Hex Head Zinc | F81003-71 | 4 |
| 5 | Washer, 10.2 Split Lock Zinc | F81055-2 | 14 |
| 6 | Washer, 10.5 Flat Zinc | F81055-1 | 14 |
| 7 | Nut, M10-8-B Hex Nylon Zinc Lock | F81033-1 | 14 |
| 8 | Beam, Log Clamp Main Zinc-plated | 094115-1 | 1 |
| 9 | Bolt, M10x35-8.8 Hex Head Full Thread Zinc | F81003-17 | 4 |
| 10 | Block, Log Clamp Up/Down Painted | 094124-1 | 2 |
| 11 | Plug, M33 Thread #12428 | 089839 | 2 |

9

Hydraulic System*Hydraulic Log Clamp, Right*

| | | | | |
|----|---|-----------|---|--|
| 12 | Screw, M16x55-8.8 Hex Socket Head Cap Zinc | F81006-18 | 2 | |
| 13 | Washer, 16.3 Split Lock Zinc | F81058-2 | 2 | |
| 14 | Plate Weldment, Hydraulic Cylinder Mounting Painted | 094094-1 | 1 | |
| 15 | Cylinder, CJ7F-16/40/22 + UE2-40W Hydraulic | 091346 | 1 | |
| 16 | Fitting, 90° Male Elbow | P09142 | 2 | |
| 17 | Bolt, M10x75-8.8 Hex Head Zinc | F81003-15 | 2 | |
| 18 | Bolt, M10x40-8.8 Hex Head Full Thread Zinc | F81003-16 | 4 | |
| 19 | Bracket, Hydraulic Cylinder Mounting Painted | 094127-1 | 2 | |
| 20 | Washer, 28 Flat Zinc | F81061-1 | 2 | |
| 21 | Pin, 25x75 Zinc-plated | 088659-1 | 1 | |
| 22 | Pin, S-Zn 5x40 Cotter Zinc | F81043-31 | 4 | |
| 23 | Screw, M10x35 8.8 Hex Socket Head Cap Zinc | F81003-56 | 4 | |
| 24 | Screw, M10x25 8.8 Hex Socket Head Cap Zinc | F81003-32 | 4 | |
| 25 | Link, Log Clamp In/Out Side Zinc-plated (1) | 094097-1 | 1 | |
| 26 | Link, Log Clamp In/Out Side Zinc-plated (2) | 094099-1 | 1 | |
| 27 | Washer, Zinc-plated Spacer | 094128-1 | 1 | |
| 28 | Washer, 8.2 Split Lock Zinc | F81054-4 | 2 | |
| 29 | Bolt, M8x12-8.8 Hex Head Full Thread Zinc | F81002-6 | 2 | |
| 30 | Arm, Log Clamp In/Out Zinc-plated | 094092-1 | 1 | |
| 31 | Jaw Weldment, Log Clamp Zinc-plated | 094120-1 | 2 | |
| 32 | Rod, Log Clamp Jaw Guide | 094116 | 2 | |
| 33 | Plate, Locking Zinc-plated | 094117-1 | 2 | |
| 34 | Bushing, JFM-2023-21 Flanged | 094113 | 8 | |
| 35 | Ring, W 31 Inside Retaining | F81090-15 | 8 | |
| 36 | Washer, 8.2 Split Lock Zinc | F81054-4 | 4 | |
| 37 | Screw, M8x40-8.8 Hex Socket Head Cap Zinc | F81002-29 | 4 | |
| 38 | Washer, 21 Flat Zinc | F81059-2 | 2 | |
| 39 | Cylinder SJ2F-16-40/22/80 Hydraulic | 093880 | 1 | |

9.9 Hydraulic Log Clamp



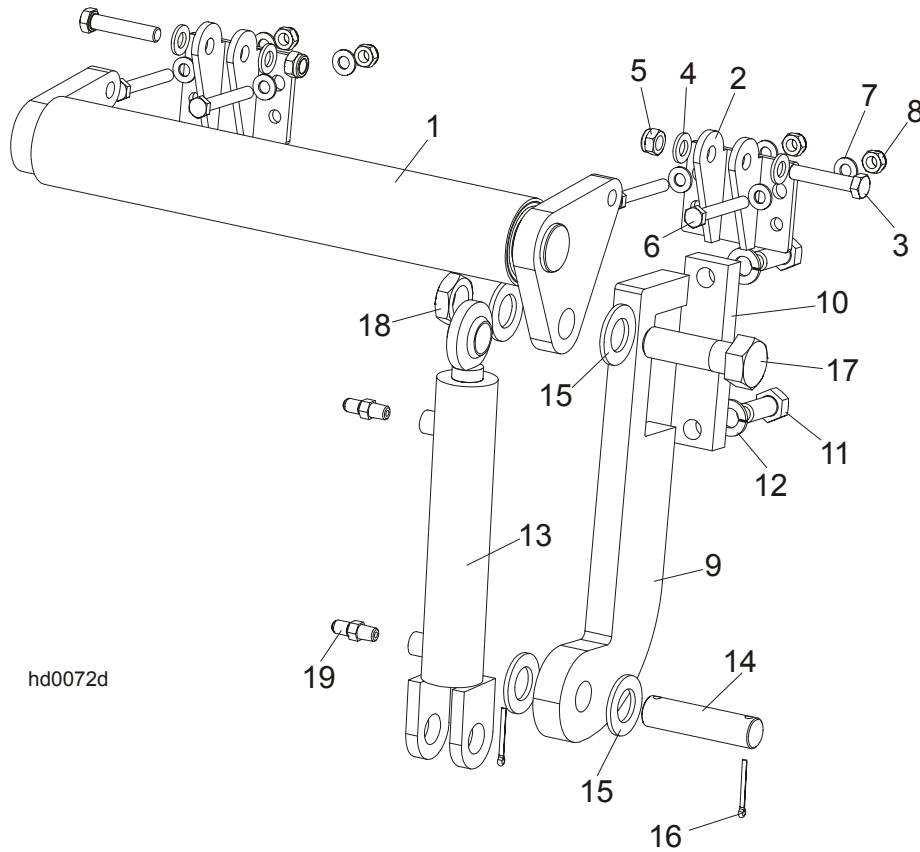
| REF | DESCRIPTION (◆ Indicates Parts Available In Assemblies Only) | PART # | QTY. |
|-----|--|----------|------|
| | LOG CLAMP ASSEMBLY, TWO-PLANE | 088658 | 1 |
| 1 | Rod Weldment, Log Clamp Slide Painted | 086967-1 | 1 |
| 2 | Arm Weldment, Hydraulic Clamp Link Painted | 086963-1 | 1 |
| 3 | Pin, B 24x95/85 Clevis Zinc | F81049-2 | 1 |
| 4 | Washer, 25 Flat Zinc | F81061-3 | 8 |
| 5 | Washer, 25x63 Zinc-Plated | 088585-1 | 5 |
| 6 | Nut, M20-8-3 Hex Slotted Castle Zinc | F81037-3 | 2 |
| 7 | Pin, Hydraulic Cylinder Zinc-Plated | 086979-1 | 2 |
| 8 | Pin, 6.3x45 Cotter Zinc | F81045-2 | 6 |

9

Hydraulic System*Hydraulic Log Clamp*

| | | | | |
|----|--|-----------|---|--|
| 9 | Cylinder, CJ-S96-16-70/32/178 Hydraulic | 088589 | 1 | |
| 10 | Fitting, 90° Male Elbow | P09142 | 2 | |
| 11 | Arm, Hydraulic Log Clamp Link Painted | 086974-1 | 1 | |
| 12 | Bolt, M24x217/39 -8.8-B Hex Head Zinc | 088586-1 | 1 | |
| 13 | Nut, M24 -04-B Hex Thin Zinc | F81039-3 | 2 | |
| 14 | Bushing, 5040BS Self-Lubricating | 088660 | 2 | |
| 15 | Rod Weldment, Log Clamp Vertical Painted | 088582-1 | 1 | |
| 16 | Block, Log Clamp Painted Steel | 088591-1 | 1 | |
| 17 | Washer, 8.4 Flat Zinc | F81054-1 | 8 | |
| 18 | Bolt, M8x20-8.8-B Hex Head Full Thread Zinc | F81002-4 | 8 | |
| 19 | Flange, Clamp Rod Wiper Painted | 088887-1 | 3 | |
| 20 | Fitting, 3/16" Straight Grease | P04107 | 1 | |
| 21 | Spacer, Log Clamp | 089324 | 1 | |
| 22 | Wiper, ZZ 50x60x7 INCO Log Clamp Rod | 088587 | 1 | |
| 23 | Cylinder, CJ-S169-16-40/22/254 Hydraulic | 088590 | 1 | |
| 24 | Fitting, 90° Male Elbow | P09142 | 2 | |
| 25 | Screw, M12x55-8.8-B Hex Socket Head Cap Zinc | F81004-23 | 2 | |
| 26 | Plate, Log Clamp Mount Painted | 086975-1 | 1 | |
| 27 | Washer, Z 22.5 Split Lock Zinc | F81059-4 | 1 | |
| 28 | Bolt, M22x1.5x40-8.8-B Hex Head Full Thread Zinc | F81009-1 | 1 | |
| 29 | Bolt, M10 x 125-8.8 Hex Head Zinc | F81003-18 | 4 | |
| 30 | Washer, 10.5 Flat Zinc | F81055-1 | 4 | |
| 31 | Nut, M10-8-B Hex Nylon Zinc Lock | F81033-1 | 4 | |
| 32 | Bolt, M12 x 140 8.8 Hex Head Zinc | F81004-37 | 2 | |
| 33 | Washer, 13 Flat Zinc | F81056-1 | 2 | |
| 34 | Nut, M12-8-B Hex Zinc | F81034-1 | 2 | |
| | STOP ASSEMBLY, LOG CLAMP | K09485 | 1 | |
| 35 | Stop Weldment, Hydraulic Log Clamp Painted | 086980-1 | 1 | |
| 36 | Bolt, M12 x 40 8.8 Hex Head Full Thread Zinc | F81004-4 | 2 | |
| 37 | Washer, 13 Flat Zinc | F81056-1 | 2 | |
| 38 | Nut, M12-8 Hex Nylon Zinc Lock | F81034-2 | 2 | |

9.10 Hydraulic Toe Board



| REF | DESCRIPTION (◆ Indicates Parts Available In Assemblies Only) | PART # | QTY. |
|-----|--|-----------|------|
| | HYDRAULIC TOE BOARD - FRONT | 092613 | 1 |
| | HYDRAULIC TOE BOARD - REAR | 092634 | 1 |
| 1 | Toe Board Weldment, Hydraulic - Front | 092612-1 | 1 |
| 1 | Toe Board Weldment, Hydraulic - Rear | 086253-1 | 1 |
| 2 | Bracket, Hydraulic Toe Board | 087903-1 | 2 |
| 3 | Bolt, M12x60mm Hex Head Zinc Grade 8.8 | F81004-5 | 4 |
| 4 | Washer, M12 Flat Zinc | F81056-1 | 8 |
| 5 | Nut, M12 Hex Nylon Zinc Lock | F81034-2 | 4 |
| 6 | Bolt, M10x75-8.8 Hex Head Zinc | F81003-15 | 8 |
| 7 | Washer, M10 Flat Zinc | F81055-1 | 16 |
| 8 | Nut, M10 Hex Nylon Zinc Lock | F81033-1 | 8 |
| 9 | Bracket, Hydraulic Toeboard Mount | 087729-1 | 2 |
| 10 | Plate, Hydraulic Toeboard Mount | 090086-1 | 2 |
| 11 | Bolt, M16x40mm Hex Head Full Thread Zinc Grade 5.8 | F81006-13 | 4 |
| 12 | Washer, 16.3 Split Lock Zinc | F81058-2 | 4 |
| 13 | Cylinder, CJ-S170-16-40/25/152 Hydraulic | 088681 | 2 |

9

Hydraulic System

Hydraulic Toe Board

| | | | | |
|-----------|----------------------------------|------------|---|--|
| 14 | Pin, Cylinder Mount | 086979-1 | 2 | |
| 15 | Washer, 28 Flat Zinc | F81061-1 | 8 | |
| 16 | Pin, 3/16x1.5 Cotter Zinc | F05012-23 | 4 | |
| 17 | Bolt, 1-8x3 1/4 Hex Head Grade 5 | F05009-51 | 2 | |
| 18 | Nut, 1-14 Hex Jam Unplated | F05010-117 | 2 | |
| 19 | Fitting, 1/4NPTx1/4JIC Male | P09143 | 4 | |