

Wood-Mizer®

Parts Manual

**LT70S DH
LT70M DH**

**rev. C4.02
rev. C4.02**



Safety is our #1 concern! Read and understand all safety information and instructions before operating, setting up or maintaining this machine.

Form #1048

Table of Contents

Section-Page

General Contact Information

Branches & Authorized Sales Centers Wood-Mizer Locations (North and South America)

| | | |
|------------------|--|------------|
| SECTION 1 | GENERAL INFORMATION | 1-1 |
| 1.1 | How To Use The Parts List | 1-1 |
| 1.2 | Sample Assembly | 1-1 |
| SECTION 2 | BLADE GUIDE ROLLERS & ARM | 2-1 |
| 2.1 | Blade Guide Assembly, Idle Side | 2-1 |
| 2.2 | Blade Guide Assembly, Drive Side | 2-2 |
| 2.3 | Blade Guide Arm Drive Assembly..... | 2-4 |
| 2.4 | Blade Guide Mount Assembly, Drive Side | 2-6 |
| SECTION 3 | BLADE WHEELS & TENSIONER | 3-1 |
| 3.1 | Blade Drive Assembly..... | 3-1 |
| 3.2 | Idle Blade Wheel Assembly | 3-2 |
| 3.3 | Hydraulic Blade Tensioner Assembly..... | 3-4 |
| 3.4 | Sawdust Flow Guide..... | 3-6 |
| SECTION 4 | SAW HEAD | 4-1 |
| 4.1 | Middle Throat Screw..... | 4-1 |
| 4.2 | Drive Belt Tensioner (DC) | 4-2 |
| 4.3 | Board Return Assembly (Optional) | 4-3 |
| 4.4 | Water Lube Assembly..... | 4-5 |
| 4.5 | LT70DC Saw Head Decals | 4-6 |
| 4.6 | Blade Housing Covers..... | 4-8 |
| 4.7 | Sawdust Chute..... | 4-9 |
| 4.8 | Saw Head Protection Kit, LT70M Mobile | 4-10 |
| SECTION 5 | CONTROL & BATTERY BOXES | 5-1 |
| 5.1 | Control Assembly (Gas/Diesel)..... | 5-1 |
| 5.2 | Control Assembly, LT70 M RSW Series DH | 5-3 |
| 5.3 | Drum Switches | 5-6 |
| 5.4 | Front Panel Assembly & Harnesses | 5-7 |
| 5.5 | Circuit Breakers..... | 5-8 |
| 5.6 | Solenoids | 5-9 |
| 5.7 | Battery Box Assembly (Sawmills w/D42 Engine Only)..... | 5-9 |
| 5.8 | Fuse Box Assembly (Sawmills w/D42 Engine Only) | 5-10 |
| SECTION 6 | UP/DOWN SYSTEM | 6-1 |
| 6.1 | Up/Down Rollers & Covers | 6-1 |
| 6.2 | Blade Height Scale | 6-2 |
| 6.3 | Up/Down Chain & Sprockets..... | 6-3 |
| 6.4 | Up/Down Drive Assembly | 6-4 |
| 6.5 | Safety Switches | 6-6 |

Table of Contents

Section-Page

| | | |
|------------------|--|------------|
| SECTION 7 | FEED SYSTEM & TRACK ROLLERS | 7-1 |
| 7.1 | Upper Track Rollers And Wipers..... | 7-1 |
| 7.2 | Power Feed Assembly | 7-2 |
| 7.3 | Feed Chain/Stop, LT70 S/M | 7-4 |
| 7.4 | Lower Track Rollers..... | 7-5 |
| SECTION 8 | BED FRAME ASSEMBLY | 8-1 |
| 8.1 | Bed Rail Assembly, Front | 8-1 |
| 8.2 | Bed Rail Assembly, Rear | 8-2 |
| 8.3 | Bed Rail Assembly, Front Middle | 8-3 |
| 8.4 | Bed Rail Assembly, Rear Middle | 8-4 |
| 8.5 | Clamp Mount Assembly, Front (A/DH5/7)..... | 8-5 |
| 8.6 | Clamp Mount Assembly, Rear (A/DH5/7)..... | 8-6 |
| 8.7 | Leg, Stationary | 8-7 |
| 8.8 | Board Removal Assembly, "M" Frame Stationary Sawmills with A/DH1-3 Hydraulics (Option) | 8-9 |
| 8.9 | Board Removal Assembly, "M" Frame Portable Sawmills with A/DH1-3 Hydraulics (Option)..... | 8-11 |
| 8.10 | Board Removal Assembly, "M" Frame Sawmills with A/DH4-7 Hydraulics (Option)..... | 8-12 |
| 8.11 | Board Return Table (LT70M Option) | 8-13 |
| 8.12 | Board Return Table (LT70M A/DH4-7 Option) | 8-15 |
| 8.13 | Long Table | 8-17 |
| 8.14 | Board Return Assembly - LT70S Long Table | 8-19 |
| 8.15 | Board Return Assembly - LT70M-ST Dual Table | 8-21 |
| 8.16 | Board Return Assembly - LT70M-ST AH4-7/DH4-7 Dual Table | 8-22 |
| 8.17 | Pivot Bed Rail Assembly..... | 8-23 |
| 8.18 | Log Side Support Assembly (Manual) | 8-24 |
| 8.19 | LT40/70 S/M/Super Saw Head Rest Pin Assembly | 8-25 |
| 8.20 | LT70MD42SDH7-2.6 Saw Head Rest Support | 8-26 |
| 8.21 | Inspection Platform | 8-27 |
| 8.22 | Inspection Platform For M Frame With Power Roller | 8-28 |
| 8.23 | Wall Mount Remote Set (Cutting Length of 6.5 m)..... | 8-29 |
| 8.24 | Wall Mount Remote Set (Cutting Length of 6.5-10 m) | 8-30 |
| 8.25 | Remote Set Post..... | 8-31 |
| 8.26 | Guide Rail Support Post | 8-33 |
| 8.27 | 4-Post Remote Set | 8-35 |
| 8.28 | 5-Post Remote Set | 8-36 |
| 8.29 | Bed Frame Decals | 8-37 |
| 8.30 | Tie Down Chain Assembly | 8-38 |
| 8.31 | HYDRAULIC SYSTEMHydraulic Hoses..... | 9-1 |
| | <i>Protective Conduits, LT70 Series A/DH Hydraulic Hoses</i> | |
| 8.32 | Hydraulic Control Box, LT40/70M Super (DC) | 9-3 |
| 8.33 | Hydraulic Control Box, LT70 Series DH3 | 9-5 |
| 8.34 | Hydraulic Control Box, LT70 Series DH5/7 | 9-7 |
| 8.35 | Hydraulic Power Supply Strip..... | 9-9 |
| 8.36 | Hydraulic Log Loader | 9-11 |
| 8.37 | Hydraulic Log Loader, Extended for "S", "M" and "M Super" Frames with 2.5 t. and 2.6 t. | |

Table of Contents

Section-Page

| | | |
|------|--|------|
| | Trailer | 9-13 |
| 8.37 | | 9-13 |
| 8.37 | | 9-13 |
| 8.38 | Hydraulic Log Turner | 9-14 |
| 8.39 | Hydraulic Log Side Supports (S/M Type Frame) | 9-16 |
| 8.40 | Hydraulic Pull-Down Clamp..... | 9-18 |
| 8.41 | Hydraulic Log Clamp | 9-20 |
| 8.42 | Hydraulic Toe Board | 9-22 |
| 8.43 | Power Toe Roller (Option) | 9-23 |

Getting Service

Wood-Mizer is committed to providing you with the latest technology, best quality and strongest customer service available on the market today. We continually evaluate our customers' needs to ensure we're meeting current wood-processing demands. Your comments and suggestions are welcome.

General Contact Information

From Europe call your local distributor or our European Headquarters and Manufacturing Facility in Koło, Nagórna 114 St, Poland at **+48-63-2626000**. From the continental U.S., call our U.S. Headquarter 8180 West 10th St. Indianapolis, IN 46214, toll-free at **1-800-525-8100**. Ask to speak with a Customer Service Representative. Please have your machine identification number and your customer number ready when you call. The Service Representative can help you with questions about the operation and maintenance of your machine. He also can schedule you for a service call.

Office Hours:

| Country | Monday - Friday | Saturday | Sunday |
|---------|-----------------|----------------|--------|
| Poland | 7 a.m.- 3 p.m. | Closed | Closed |
| US | 8 a.m.- 5 p.m. | 8 a.m.- 12 p.m | Closed |

Please have your vehicle identification number and your customer number ready when you call.

Wood-Mizer will accept these methods of payment:

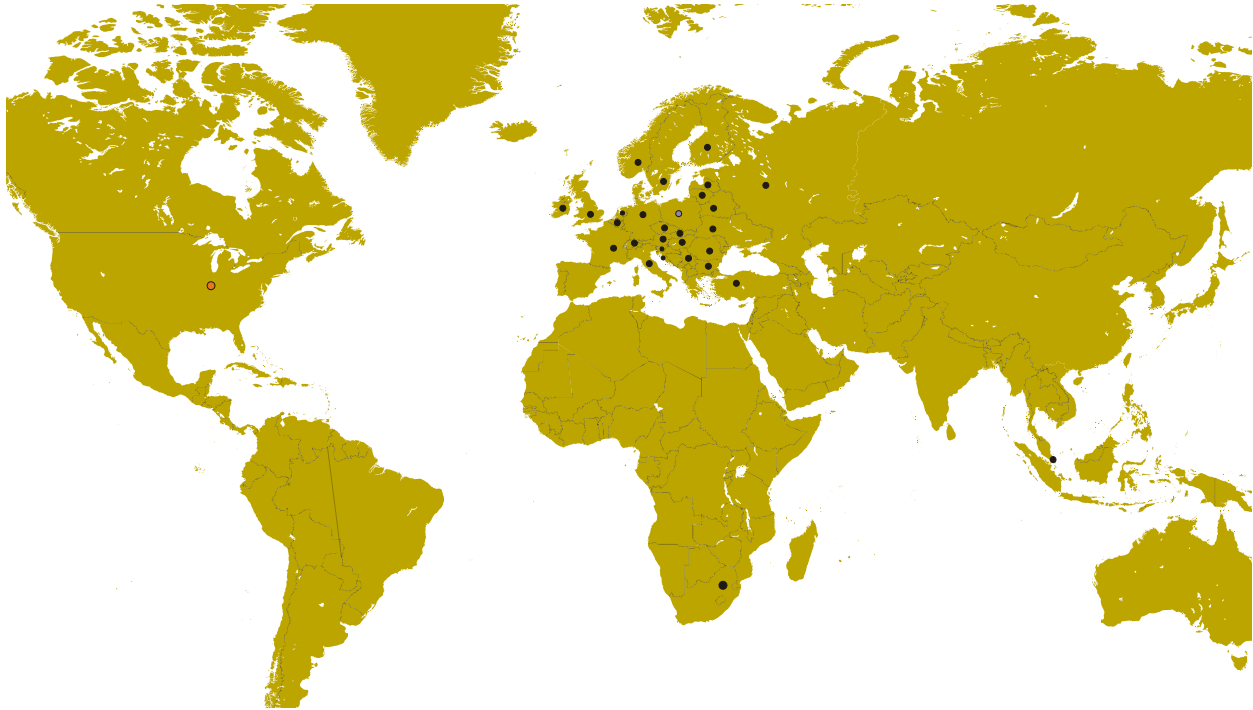
- Visa, Mastercard, or Discover
- COD
- Prepayment
- Net 15 (with approved credit)



Be aware that shipping and handling charges may apply. Handling charges are based on size and quantity of order.

Technical data are subject to change without prior notice.

Actual product may differ from product images. Some illustrations show machines with optional equipment.

Branches & Authorized Sales Centers Wood-Mizer Locations (North and South America)



| EUROPE | | UNITED STATES |
|--|--|--|
| <p> European Headquarters Wood-Mizer Industries Sp. z o.o. Nagórna 114, 62-600 Kolo, Poland Tel.: +48-63-26-26-000 Fax: +48-63-27-22-327 www.woodmizer.eu</p> | | <p> World Headquarters Wood-Mizer LLC 8180 West 10th Street Indianapolis, Indiana 46214-2400, USA Tel.: +1-317-271-1542 Fax: +1-317-273-1011 www.woodmizer.com</p> |
| <p>BELARUS MOST-GRUPP Siemashko 15, k.3 Minsk 2200116 Tel.: +375-17-270-90-08 Fax: +375-17-270-90-08 GSM: +375-29-649-90-80 e-mail: most-by@mail.ru</p> | <p>SWITZERLAND Stefan Wespil Maschinen u. Geräte Spezialarbeiten GmbH Eichstraße 4 6353 Weggis Tel.: +41-(0)41 - 3900312 GSM: +41-(0)79 - 9643594 info@mobilsaegen.ch</p> | <p>RUSSIA Dariusz Mikołajewski OOO WOOD-MIZER INDUSTRIES 141031, Moscow Reg., Mytishenski raj., pos. Veshki, Zavodskaja str., 3B Tel.Fax: +7(495) 788-72-35 Tel.Fax: +7(495) 641-51-60 e-mail: dariuszm@woodmizer-moscow.ru</p> |
| <p>BULGARIA Kalin Simeonov Ecotechproduct 38 Star Lozenski pat str. Sofia 1186 Tel.: +359-2-462-7035 Tel.: +359-2-963-1656 Tel./Fax : +359-2-979-1710 Kalin Simeonov GSM: +3592-963-2559 e-mail: office@ecotechproduct.com</p> | <p>HUNGARY Wiktor Turoczy Wood-Mizer Hungary K.F.T. Szonyi Ut 67., 2921 Komárom Tel./Fax: +36-34-346-255 e-mail: woodmizer@woodmizer.hu</p> | <p>RUSSIA Far East Wladimir Glazaczew "WM Service" Krasnoretschenskaya Str.111 680006 Khabarovsk Tel./Fax: +7-914-541-1183 e-mail: wms-khv@mail.ru</p> |

| | | |
|---|--|---|
| <p>CROATIA Krešimir Pregernik Pregimex d.o.o. S. Batušića 31, 10090 Zagreb Tel./Fax: +3851-38-94-668 Krešimir Pregernik GSM: +3851-98-207-106 e-mail: Kresimir.Pregernik@gmail.com</p> | <p>ITALY Pasquale Felice Wood-Mizer Italia Srl Cda. Capoiaccio SN 86012 Cercemaggiore Campobasso Tel./Fax: +39-0874-798-357 GSM: +39-333-281-03-79 e-mail: wmitaliasrl@gmail.com</p> | <p>SERBIA Dragan Markov Wood-Mizer Balkan d.o.o. Svetosavska GA 3/3; P. Fah 25 23 300 Kikinda Tel./Fax: +381-230-25-754 Tel./Fax: +381-230-23-567 GSM: +381-63-568-658 e-mail: office@woodmizer.co.yu</p> |
| <p>CZECH REPUBLIC Miroslav Greill Wood-Mizer CZ s.r.o. Osvaldova 91 339 01 Klatovy-Luby Tel./Fax: +420-376-312-220 Fax: +420-376-319-011 Miroslav Greill GSM: +420-723-580-799 e-mail: greill@woodmizer.cz</p> | | <p>SLOVAKIA Wiktor Turoczy Wood-Mizer Danubia s.r.o. Hadovce 5, 94501 Komárno Tel.: +421-35-77-40-316 Fax: +421-35-7740-326 GSM: +421-905-930-972 e-mail: woodmizer@woodmizer.sk</p> |
| <p>CZECH REPUBLIC Lubomir Kudlik Wood-Mizer Moravia Sovadinova 6 69002 Breclav Tel./Fax: +420-519-322-443 Lubomir Kudlik GSM: +420-602-734-792 e-mail: info@wood-mizer.net</p> | <p>LATVIA Vilmars Jansons OBERTS Ltd Gaujas str. 32/2 LV-2167 Marupe, Rigas Raj. Tel.: +371-7-810-666 Fax: +371-7-810-655 Vilmars Jansons GSM: +371-92-06-966 Andris Orols GSM: +371-28-33-07-90 e-mail: andris@oberts.lv</p> | <p>TURKEY Er-Ka Ahsap Profil Kerestecilik San. ve Tic. Ltd. Sti. Adana Keresteciler Sitesi 191 sk No.41 ADANA Tel.: +90-322-346-15-86 Fax: +90-322-345-17-07 GSM: +90-533-363-18-44 e-mail: info@erkaahsap.com.tr</p> |
| <p>FINLAND Howard Blackbourn Oy Falkberg Jordbruk Ab Falkintie 220 25610 Ylonkyla Tel.: +358-2732-2253 Fax: +358-2732-2263 Howard Blackbourn GSM: +358-440-424-339 e-mail: falkberg@woodmizer.fi</p> | <p>LITHUANIA Andrius Zuzevicius UAB Singlis Savanoriu pr. 187, 2053 Vilnius Tel.: +370-5-2-32-22-44 Fax: +370-5-2-64-84-15 GSM: +370-620-28-645 e-mail: andrius.z@singlis.lt</p> <p>Dmitrij Gaiduk GSM: +370-69-84-51-91 e-mail: dmitrijus.g@singlis.lt</p> | <p>UKRAINE Ivan Vinnicki MOST UKRAINA bul. Myru 3, Bajkivtsi Ternoplskyj r-j Ternopolska oblast 47711 Ukraine Tel/Fax: +38 (0352) 52 37 74 GSM: +38 (067) 352 54 34 GSM: +38 (067) 674 50 68 E-mail: most-ukraina@ukr.net</p> |
| <p>FRANCE Tizoc Chavez Wood-Mizer France 556 chemin des Embouffus, ZAC des Basses Echarrieres 38440 SAINT JEAN DE BOURNAY Tel: +33-4 74 84 84 44 GSM: +33-607 52 02 82 Mail: tchavez@woodmizer.fr</p> | <p>NORWAY Odd Edvoll Wood-Mizer Nordic AS Vardelia 17, 2020 Skedsmokorset Tel.: +47-63-87-49-89 Fax: +47-63-87-37-66 GSM: +47-930-42-335 e-mail: odd.edvoll@woodmizer.no</p> <p>e-mail: firmapost@woodmizer.no</p> | <p>UNITED KINGDOM & IRELAND Wood-Mizer UK Hopfield Barn Kenward Road, Yalding Kent ME18 6JP, UK Tel.: +44-1622-813-201 Fax: +44-1622-815-534 e-mail: info@woodmizer.co.uk</p> |
| <p>SLOVENIA Jan Fale FAMTEH d.o.o. Gacnikova pot 2, 2390 Ravne na Koroskem Tel.: +386-2-62-04-232 Fax: +386-2-62-04-231 Jan Fale GSM: +386-2-62-04-230 e-mail: jan.fale@famteh.si</p> <p>Matjaz Kolar Tel.: +386-2-62-04-232 GSM: +386-31-775-999 e-mail: matjaz.kolar@famteh.si</p> | | |

| | | |
|--|---|--|
| <p>GERMANY Klaus Longmuss Wood-Mizer Sägewerke GmbH Dorfstraße 5, 29485 Schletau Tel.: +49-5883-9880-10 Fax: +49-5883-9880-20 e-mail: info@woodmizer.de</p> <p>Klaus Longmuss Tel.: +49-5883-9880-12 GSM: +49-17-298-55-892 e-mail: KLongmuss@woodmizer.de</p> | <p>Subagent: SWEDEN Kjell Larsson Mekwood AB Slingan 14, 812 41 Gästrike-Hammarby Tel.: +46-290-515-65 Kjell Larsson GSM: +46-706-797-965 e-mail: kjell.larsson@mekwood.se</p> | <p>IRELAND Wood-Mizer Ireland Stephen Brennan Cum Lahardane Ballina County Mayo Tel:+353 96 51345</p> <p>E-mail: brennanmill@ericom.net</p> |
| <p>Subagents: DENMARK Brian Jensen Arnborgvej 9, 7330 Brande- Fasterholt Tel.: +45-971-88-265 Fax: +45-971-88-266</p> <p>Brian Jensen GSM: +45-23-49-5828 e-mail: Fasterholt-Savvaerk@Mail.Tele.dk</p> | <p>ROMANIA Adrian Echert SC WOOD-MIZER RO SRL TRANSILVANIEI Nr. 5 Sibiu, Cisnadia 555300 Tel./Fax: : +40-369-405-433 GSM: +40-745-707-323 e-mail: aechert@woodmizer.ro</p> | <p>Regional Manager - Asia Wood-Mizer Asia Pte Ltd. James Wong Tel: +65 81216910 Fax: +65 6283 8636 WWW: www.woodmizerasia.com E-mail: jwong@woodmizerasia.com</p> |
| <p>Netherlands Chris Dragt Lange Brink 77d, 7317 BD Apeldoorn Tel.: +31-55312-1833 Fax: +31-55312-2042 e-mail: Info@dragtbosbouw.nl</p> | <p>Subagent: ROMANIA M. Echert S.C. Echert Comprod s.r.l Str. Schitului Nr. 6, Apt.7 etajul-1 725 70 Vatra Dornei, Romania Tel./Fax: +40-230-374-235 Tel. : +40-740-35-35-74</p> | <p>Regional Manager - Africa Wood-Mizer Africa Jean-Jacques Oelofse UNIT 3, LEADER PARK, NO: 20 CHARIOT ROAD STORMILL, EXT 5, Roodepoort, Johannesburg Tel: +27 011 473 1313 Fax: +27 011 473 2005 Jean-Jacques Oelofse E-mail: jjoelofse@woodmizer africa.com Jean-Jacques Oelofse Skype:jean.jacques.pierre.oelofse</p> |

USA World Headquarters

Serving North & South America, Oceania, East Asia

Wood-Mizer LLC
8180 West 10th Street
Indianapolis, IN 46214

Phone: 317.271.1542 or 800.553.0182
Customer Service: 800.525.8100
Fax: 317.273.1011
Email: infocenter@woodmizer.com

Canadian Headquarters

Serving Canada

Wood-Mizer Canada
396 County Road 36, Unit B
Lindsay, ON K9V 4R3

Phone: 705.878.5255 or 877.357.3373
Fax: 705.878.5355
Email: ContactCanada@woodmizer.com

Brazil Headquarters

Serving Brazil

Wood-Mizer do Brasil
Rua Dom Pedro 1, No: 205 Bairro: Sao Jose
Ivoti/RS CEP:93.900-000

Tel: +55 51 9894-6461/ +55 21 8030-3338/ +55 51
3563-4784
Email: info@woodmizer.com.br

Europe Headquarters

Serving Europe, Africa, West Asia

Wood-Mizer Industries Sp z o.o.
Nagorna 114
62-600 Kolo, Poland

Phone: +48.63.26.26.000
Fax: +48.63.27.22.327

Branches & Authorized Sales Centers

For a complete list of dealers, visit www.woodmizer.com

SECTION 1 GENERAL INFORMATION

1.1 How To Use The Parts List

- Use the index above to locate the assembly that contains the part you need.
- Go to the appropriate section and locate the part in the illustration.
- Use the number pointing to the part to locate the correct part number and description in the table.
- Parts shown indented under another part are included with that part.
- Parts marked with a diamond (◆) are only available in the assembly listed above the part.

See the sample table below. Sample Part #A01111 includes part F02222-2 and subassembly A03333. Subassembly A03333 includes part S04444-4 and subassembly K05555. The diamond (◆) indicates that S04444-4 is not available except in subassembly A03333. Subassembly K05555 includes parts M06666 and F07777-77. The diamond (◆) indicates M06666 is not available except in subassembly K05555.

| 1.2 Sample Assembly | | | | |
|----------------------------|---|-----------|-----|---|
| REF. | DESCRIPTION (◆ Indicates Parts Available In Assemblies Only) | PART # | QTY | |
| | Sample Assembly, Complete (Includes All Indented Parts Below) | A01111 | 1 | |
| 1 | Sample Part | F02222-22 | 1 | |
| | Sample Subassembly (Includes All Indented Parts Below) | A03333 | 1 | |
| 2 | Sample Part (◆ Indicates Part Is Only Available With A03333) | S04444-4 | 1 | ◆ |
| | Sample Subassembly (Includes All Indented Parts Below) | K05555 | 1 | |
| 3 | Sample Part (◆ Indicates Part Is Only Available With K05555) | M06666 | 2 | ◆ |
| 4 | Sample Part | F07777-77 | 1 | |

To Order Parts:

- From Europe call our European Headquarters and Manufacturing Facility in Kolo, Poland at **+48-63-2626000**. From the continental U.S., call our toll-free Parts hotline at **1-800-525-8100**. Have your customer number, vehicle identification number, and part numbers ready when you call. From other international locations, contact the Wood-Mizer distributor in your area for parts.

Office Hours:

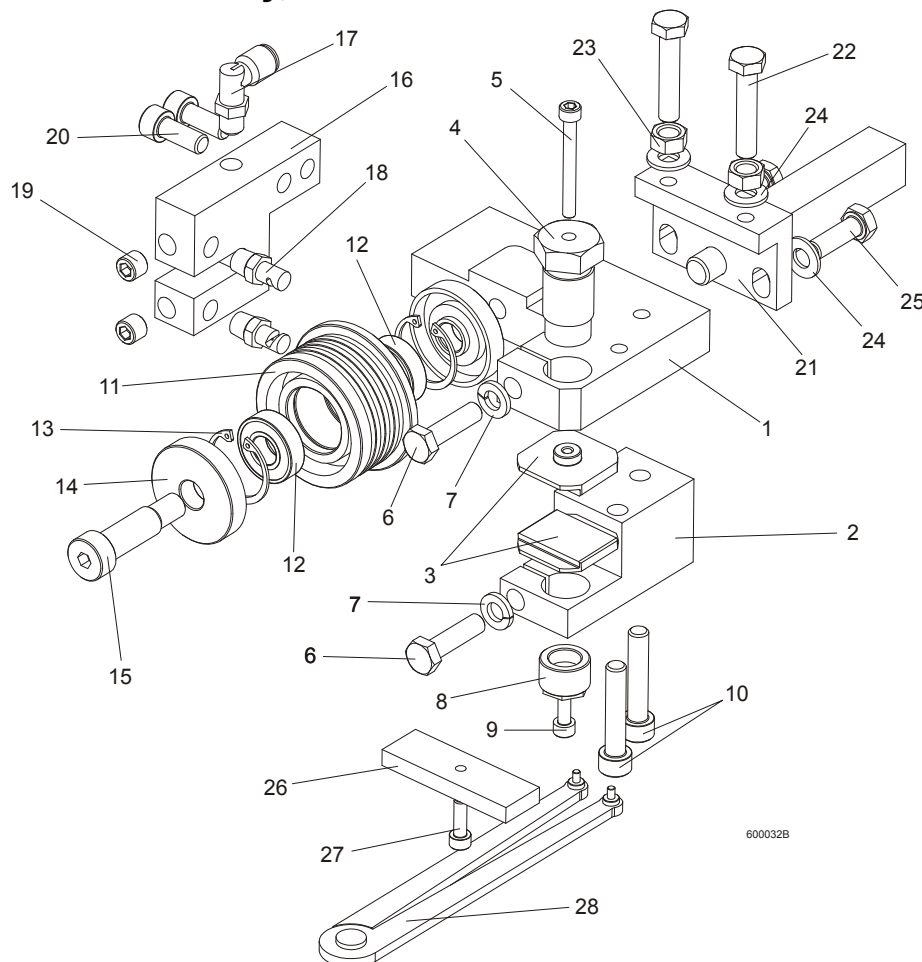
| Country | Monday - Friday | Saturday | Sunday |
|---------|-----------------|-----------------|--------|
| Poland | 7-15 | Closed | Closed |
| US | 8 a.m.- 5 a.m. | 8 a.m.- 12 p.m. | Closed |



CAUTION! It is strongly recommended that only original spare parts be used.

SECTION 2 BLADE GUIDE ROLLERS & ARM

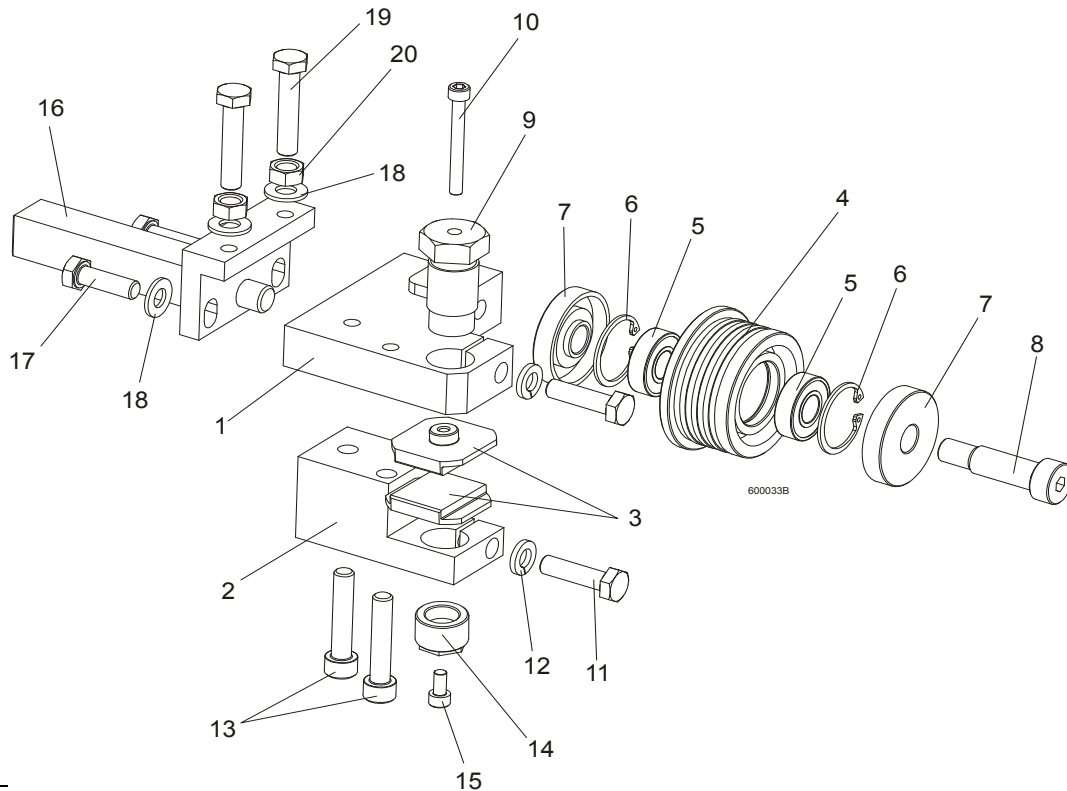
2.1 Blade Guide Assembly, Idle Side



| REF. | DESCRIPTION (◆ Indicates Parts Available In Assemblies Only) | PART# | QTY |
|------|--|-----------|-----|
| | BLADE GUIDE ASSEMBLY, IDLE SIDE, EXTENDED (for optional use with 1 1/2" blades) | 092997 | 1 |
| 1 | Block, Blade Guide Mount Zinc-Plated | 090947-1 | 1 |
| 2 | Block, Lower Ceramic Pad Mount Zinc-Plated | 090948-1 | 1 |
| 3 | Block, Blade Guide Zinc | 093430-1 | 2 |
| 4 | Bolt, Upper Pad Adjustment Zinc-Plated | 089515-1 | 1 |
| 5 | Screw, M5x45 DIN912 A2-70 Hex Socket Head Cap Stainless Steel | F81000-24 | 1 |
| 6 | Bolt, M8x30 DIN933 A2-70 Stainless Steel | F81002-27 | 2 |
| 7 | Washer, 8.2 Split Lock Zinc | F81054-4 | 2 |
| 8 | Screw, Lower Pad Adjuster Zinc-Plated | 516191-1 | 1 |
| 9 | Screw, M5x10 DIN912 A2-70 Hex Socket Head Cap Stainless Steel | F81000-23 | 1 |
| 10 | Screw, M8x40-8.8 Hex Socket Head Cap Zinc | F81002-29 | 2 |
| | Roller, Blade Guide w/Bearing, Extended | 092939 | 1 |
| 11 | Roller, Blade Guide Extended | 087890 | 1 |
| 12 | Bearing, 6001 2RSR NACHI | 087893 | 2 |
| 13 | Ring, W28 Inside Retaining | F81090-9 | 2 |

| | | | | |
|----|--|-----------|---|--|
| 14 | Washer, Blade Guide Roller Spacer Zinc-Plated | 087891-1 | 1 | |
| | Washer, Blade Guide Roller Spacer Zinc-Plated | 087892-1 | 1 | |
| 15 | Screw, 12/M10x30 12.9 ISO 7379 Socket Head Shoulder | F81003-70 | 1 | |
| | Screw, 12/M10x35 12.9 ISO 7379 Socket Head Shoulder (used with the Extended Roller only) | F81003-48 | 1 | |
| 16 | Block, Nozzle Mounting Zinc-plated | 090487-1 | 1 | |
| 17 | Fitting, 90° Elbow 1/8NPT-1/4 Tube Swivel | P09736 | 1 | |
| 18 | Nozzle, Blade Lube Spray | 033479 | 2 | |
| 19 | Plug, M10x1 DIN 906 BN40 "BOSSARD" | F81015-3 | 2 | |
| 20 | Screw, M8x20-8.8 Hex Socket Head Cap Zinc | F81002-30 | 2 | |
| 21 | Pivot Weldment, Blade Guide Zinc-plated | 089509-1 | 1 | |
| 22 | Bolt, M8x40 DIN933 A2-70 Stainless Steel | F81002-28 | 2 | |
| 23 | Nut, M8 DIN934 A2-70 Stainless Steel | F81032-7 | 2 | |
| 24 | Washer, 8.4 Zinc Flat | F81054-1 | 4 | |
| 25 | Bolt, M8x25 DIN933 A2-70 Stainless Steel | F81002-26 | 2 | |
| | Block, Blade Guide Alignment | 090951 | 1 | |
| 26 | Block, Blade Guide Alignment Zinc-Plated | 090805-1 | 1 | |
| 27 | Screw, M5x16-8.8 Hex Socket Head Cap Zinc | F81000-25 | 1 | |
| 28 | Tool, 62860-3 (PERSCHMAN) Lower Pad Adjustment | 090949 | 1 | |

2.2 Blade Guide Assembly, Drive Side



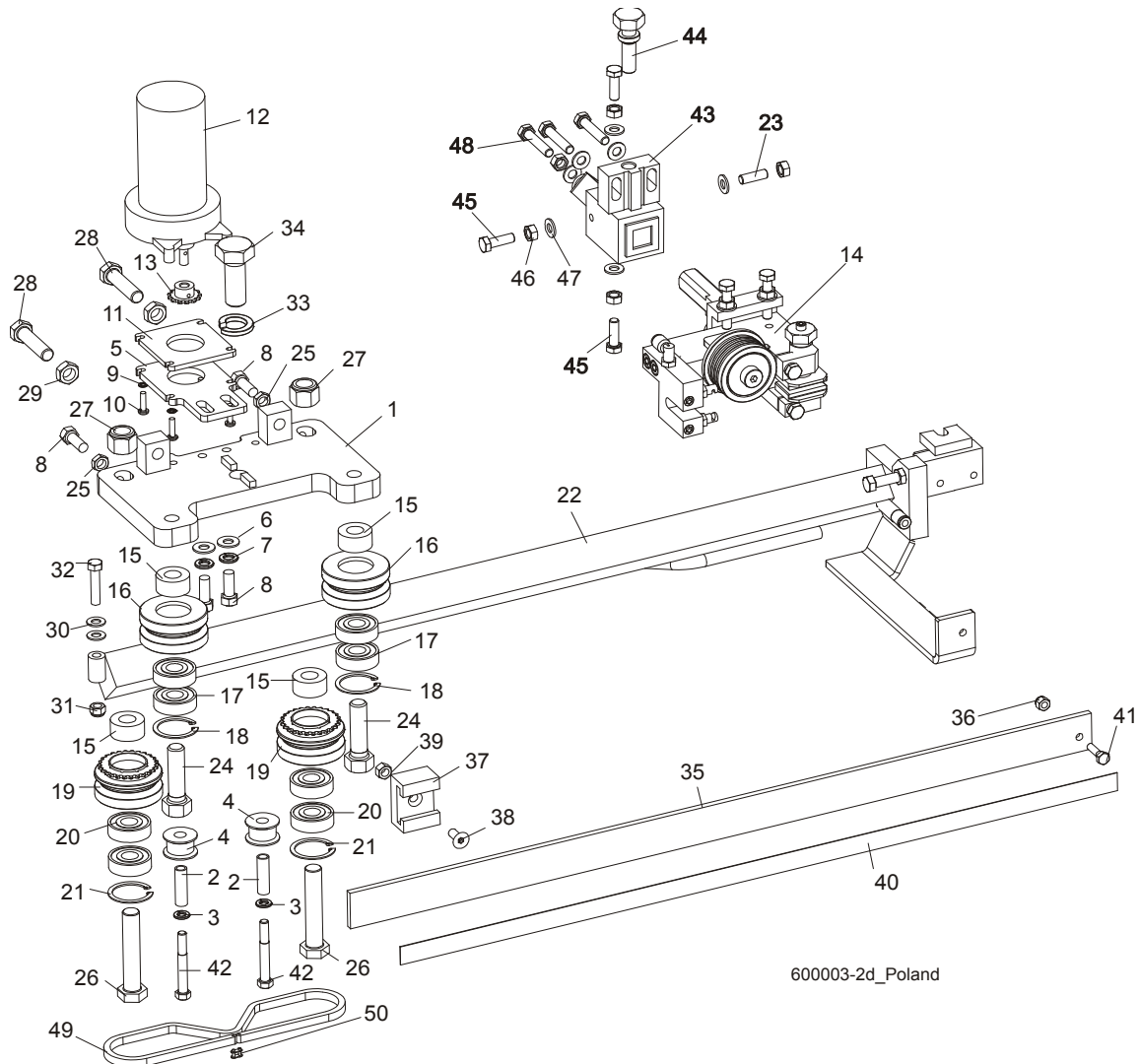
| REF. | DESCRIPTION (◆ Indicates Parts Available In Assemblies Only) | PART# | QTY | |
|------|---|----------|-----|--|
| | BLADE GUIDE ASSEMBLY, DRIVE SIDE, EXTENDED (for optional use with 1 1/2" blades) | 092998 | 1 | |
| 1 | Block, Blade Guide Mount Zinc-Plated | 090944-1 | 1 | |
| 2 | Block, Lower Ceramic Pad Mount Zinc-Plated | 090946-1 | 1 | |
| 3 | Block, Blade Guide Zinc | 093430-1 | 2 | |

2 BLADE GUIDE ROLLERS & ARM

Blade Guide Assembly, Drive Side

| | | | | |
|----|--|-----------|---|---|
| | Roller, Blade Guide w/Bearing, Extended | 092939 | 1 | |
| 4 | Roller, Blade Guide Extended | 087890 | 1 | |
| 5 | Bearing, 6001 2RSR NACHI | 087893 | 2 | ◆ |
| 6 | Ring, W28 Inside Retaining | F81090-9 | 2 | |
| 7 | Washer, Blade Guide Roller Spacer Zinc-Plated | 087891-1 | 1 | |
| | Washer, Blade Guide Roller Spacer Zinc-Plated | 087892-1 | 1 | |
| 8 | Screw, 12/M10x30 12.9 ISO 7379 Socket Head Shoulder | F81003-70 | 1 | |
| | Screw, 12/M10x35 12.9 ISO 7379 Socket Head Shoulder (used with the Extended Roller only) | F81003-48 | 1 | |
| 9 | Bolt, Upper Pad Adjustment | 089515 | 1 | |
| 10 | Screw, M5x45 DIN912 A2-70 Hex Socket Head Cap Stainless Steel | F81000-24 | 1 | |
| 11 | Bolt, M8x30 DIN933 A2-70 Stainless Steel | F81002-27 | 2 | |
| 12 | Washer, 8.2 Split Lock Zinc | F81054-4 | 2 | |
| 13 | Screw, M8x40-8.8 Hex Socket Head Cap Zinc | F81002-29 | 2 | |
| 14 | Screw, Lower Pad Adjustment Zinc-plated | 516191-1 | 1 | |
| 15 | Screw, M5x10 DIN912 A2-70 Hex Socket Head Cap Stainless Steel | F81000-23 | 1 | |
| 16 | Pivot Weldment, Blade Guide Zinc-Plated | 089509-1 | 1 | |
| 17 | Bolt, M8x25 DIN933 A2-70 Stainless Steel | F81002-26 | 2 | |
| 18 | Washer, 8.4 Zinc Flat | F81054-1 | 4 | |
| 19 | Bolt, M8x40 DIN933 A2-70 Stainless Steel | F81002-28 | 2 | |
| 20 | Nut, M8 DIN934 A2-70 Stainless Steel | F81032-7 | 2 | |

2.3 Blade Guide Arm Drive Assembly

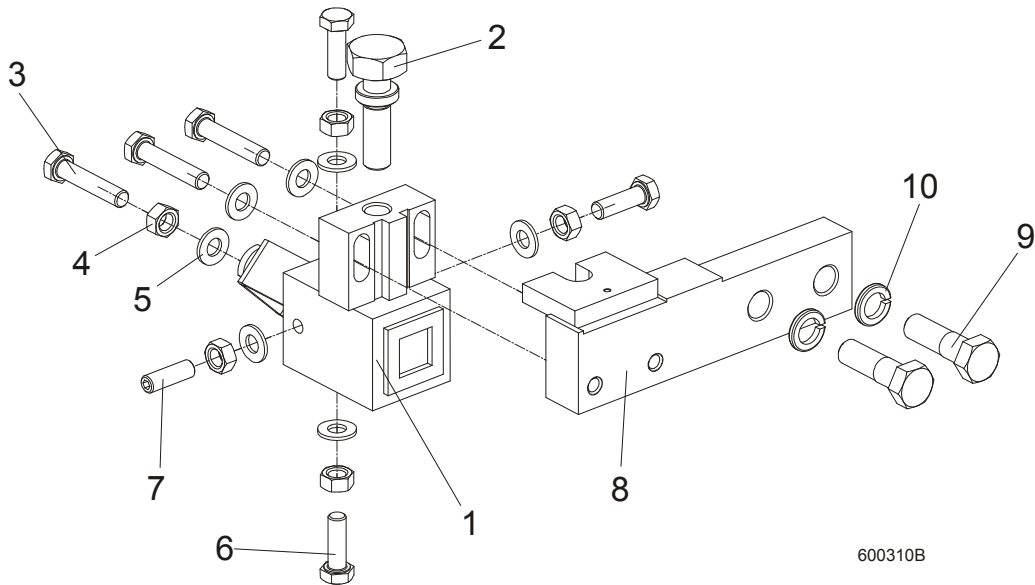


600003-2d_Poland

| REF. | DESCRIPTION (◆ Indicates Parts Available In Assemblies Only) | PART# | QTY |
|------|--|-----------|-----|
| | BLADE GUIDE ARM ASSEMBLY | 090950 | 1 |
| 1 | Plate Weldment, Blade Guide Arm Zinc-Plated | 090800-1 | 1 |
| 2 | Bushing, 0.322 x 0.44 x 1 1/2" Spacer | S09996 | 2 |
| 3 | Washer, 5/16" Split Lock Zinc | F05011-13 | 2 |
| 4 | Roller, Chain Guide | 090801 | 2 |
| 5 | Plate, Blade Guide Motor Mount | 090803-1 | 1 |
| 6 | Washer, 10.5 Zinc Flat | F81055-1 | 2 |
| 7 | Washer, 3/8" Zinc Flat | F05011-4 | 2 |
| 8 | Bolt, M10 x 25 8.8 Hex Head Full Thread | F81003-31 | 4 |
| 9 | Washer, 5.3 Zinc Flat | F81052-1 | 4 |
| 10 | Screw, #10-32 x 3/4 CrS1 Phillips Head | F05004-38 | 4 |
| 11 | Plate, Spacer | 090802-1 | 1 |
| 12 | Motor, Current Applications 1/30HP 12VDC Gear | 079214 | 1 |
| | Gear Kit, Motor Replacement (Current Application) | 061232 | 1 |
| | Brush Kit, Gear Motor Replacement (Current Application) | 061234 | 1 |

| | | | | |
|----|--|---------------|----------|--|
| | Shaft Kit, Gear Motor Replacement (Current Application) | 061233 | 1 | |
| 13 | Sprocket, 25B13 x .3130 | P09970 | 1 | |
| 14 | Pin, 3 x 14 Zinc Roll | F81044-4 | 1 | |
| 15 | Spacer, Drive Roller Zinc-Plated | 090804-1 | 4 | |
| | ROLLER ASSEMBLY, BLADE GUIDE ARM IDLER | 042543 | 2 | |
| 16 | Housing, 2 1/2" V-Groove | 042536 | 1 | |
| 17 | Bearing, 6203 2RSP6-5/8 CX | 095087 | 2 | |
| 18 | Ring, 1.575" ID 5002-156 Retaining | F04254-8 | 1 | |
| | ROLLER ASSEMBLY, BLADE GUIDE ARM DRIVE | 042542 | 2 | |
| 19 | Housing, 2 1/2" V-Groove W/Sprocket | 042541 | 1 | |
| 20 | Bearing, 6203 2RSP6-5/8 CX | 095087 | 2 | |
| 21 | Ring, 1.575" ID 5002-156 Retaining | F04254-8 | 1 | |
| 22 | Arm Weldment, Blade Guide Zinc-Plated | 090479-1 | 1 | |
| 23 | Screw, M8x8-33H FE/ZN Hex Socket Head SS Set | F81014-3 | 1 | |
| 24 | Bolt, 5/8-18 x 2 1/4 Hex Head Grade 5 | F05009-80 | 2 | |
| 25 | Nut, M10-04-W Zinc Hex Thin | F81033-6 | 2 | |
| 26 | Bolt, 5/8-18 x 3 1/4 Hex Head Grade 5 | F05009-80 | 2 | |
| 27 | Nut, 5/8-18 Hex Nylon Lock | F05010-71 | 2 | |
| 28 | Screw, M12 x 1.25 x 60-33H Zinc Hex Set W/Full Dog Point | F81004-52 | 2 | |
| 29 | Nut, M12 x 1.25 8.8 Zinc Hex Thin | F81034-5 | 2 | |
| 30 | Washer, 8.4 Zinc Flat | F81054-1 | 1 | |
| 31 | Nut, M8-8-B Hex Nylon Zinc Lock | F81032-2 | 1 | |
| 32 | Bolt, M8 x 40-8.8 Hex Head Full Thread Zinc | F81002-15 | 1 | |
| 33 | Washer, DIN 6319-21C Spherical | F81059-6 | 1 | |
| 34 | Bolt, M20 x 1.5 x 50-8.8-B Hex Head Full Thread Zinc | F81007-2 | 1 | |
| 35 | Guard, Blade | 088306 | 1 | |
| 36 | Nut, M6-8-B Hex Nylon Zinc Lock | F81031-2 | 1 | |
| 37 | Guide, Blade Guard | 088305 | 1 | |
| 38 | Screw, M8 x 25 Cross Recessed Countersunk Head Zinc | F81002-51 | 1 | |
| 39 | Nut, M8-8-B Hex Nylon Zinc Lock | F81032-2 | 1 | |
| 40 | Decal, Warning | 015849 | 1 | |
| 41 | Bolt, M6 x 20-8.8 Hex Head Full Thread Zinc | F81001-2 | 2 | |
| 42 | Screw, 12/M10 x 20 12.9 ISO7379 (BOSSARD) Socket Head Shoulder | F81003-68 | 2 | |
| 43 | Mounting Block, LT70 Zinc Blade Guide | 089503-1 | 1 | |
| 44 | Bolt, Blade Guide Zinc-Pl. Adjustment | 506552-1 | 1 | |
| 45 | Bolt, M8x25 DIN933 A2-70 Stainless Steel | F81002-26 | 3 | |
| 46 | Nut, M8 DIN934 A2-70 Stainless Steel | F81032-7 | 5 | |
| 47 | Washer, 8.4 Flat Zinc | F81054-1 | 7 | |
| 48 | Bolt, M8x40 DIN933 A2-70 Stainless Steel | F81002-28 | 3 | |
| 49 | Blade Guide Parts (See Section 2.1) | 092997 | 1 | |
| | Chain, #25 x 92 PITCHES B/G | 093805 | 1 | |
| 50 | Chain, #25 x 92 Pitches B/G | 042443 | 1 | |
| 51 | Link, 25 Master | P09983 | 1 | |

2.4 Blade Guide Mount Assembly, Drive Side

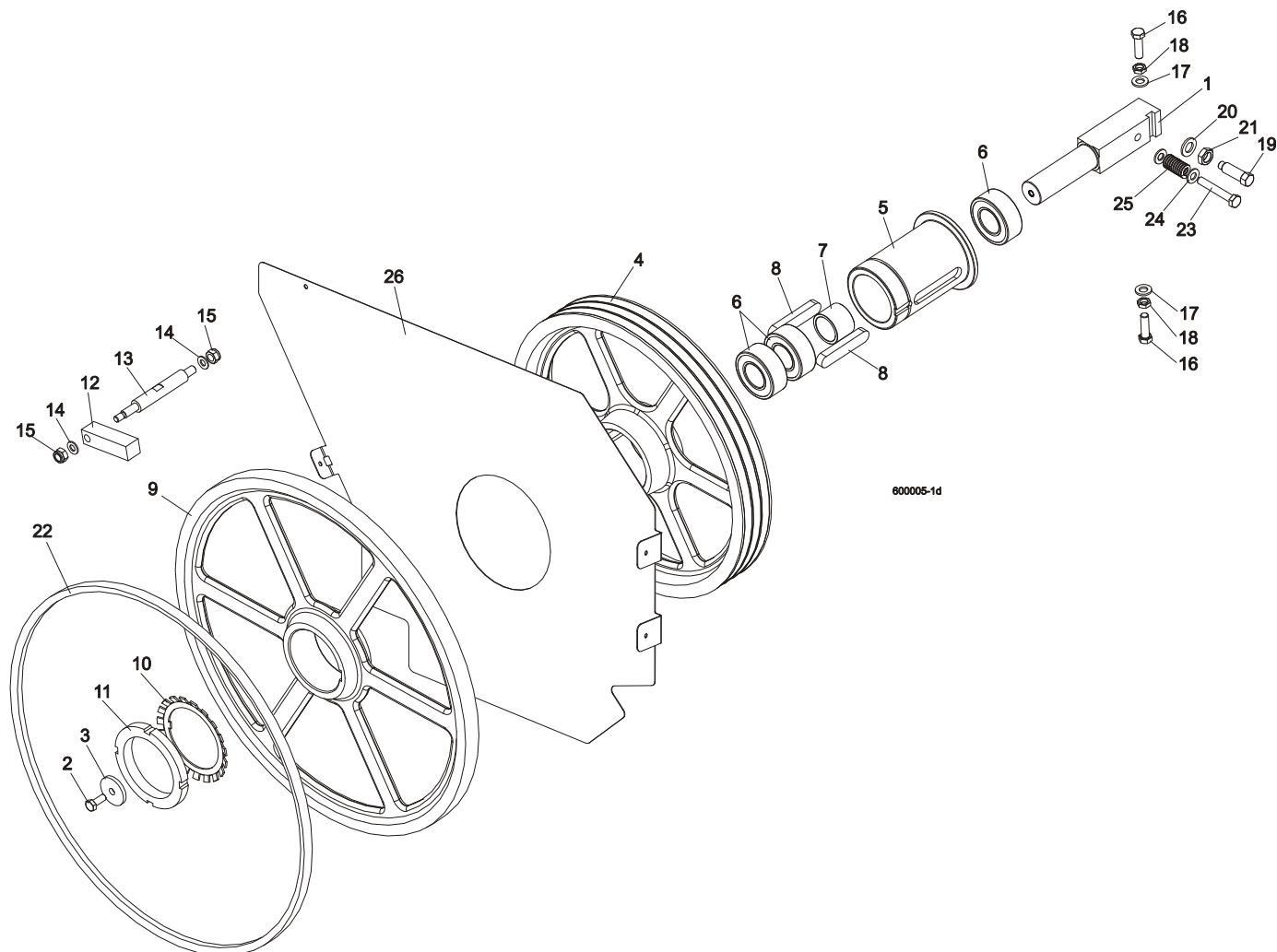


600310B

| REF. | DESCRIPTION (◆ Indicates Parts Available In Assemblies Only) | PART# | QTY |
|------|--|-----------|-----|
| | MOUNTING BLOCK, DRIVE SIDE | 091338 | 1 |
| 1 | MOUNTING BLOCK, DRIVE SIDE BLADE GUIDE (ZINC-PL.) | 089503-1 | 1 |
| 2 | BOLT, BLADE GUIDE ADJUSTMENT (ZINC-PL.) | 506552-1 | 1 |
| 3 | BOLT, M8X40 DIN933 A2-70 STAINLESS STEEL | F81002-28 | 3 |
| 4 | NUT, M8 DIN934 A2-70 STAINLESS STEEL | F81032-7 | 5 |
| 5 | WASHER, 8.4 FLAT ZINC | F81054-1 | 7 |
| 6 | BOLT, M8X25 DIN933 A2-70 STAINLESS STEEL | F81002-26 | 3 |
| 7 | SCREW, M8x25 A2-70 DIN 913 STAINLESS STEEL SET | F81014-3 | 1 |
| 8 | BAR, BLADE GUIDE MOUNT (ZINC-PL.) | 089501-1 | 1 |
| 9 | BOLT, M12X40-8.8 HEX HEAD ZINC | F81004-1 | 2 |
| 10 | WASHER, Z12.2 SPLIT LOCK ZINC | F81056-2 | 2 |

SECTION 3 BLADE WHEELS & TENSIONER

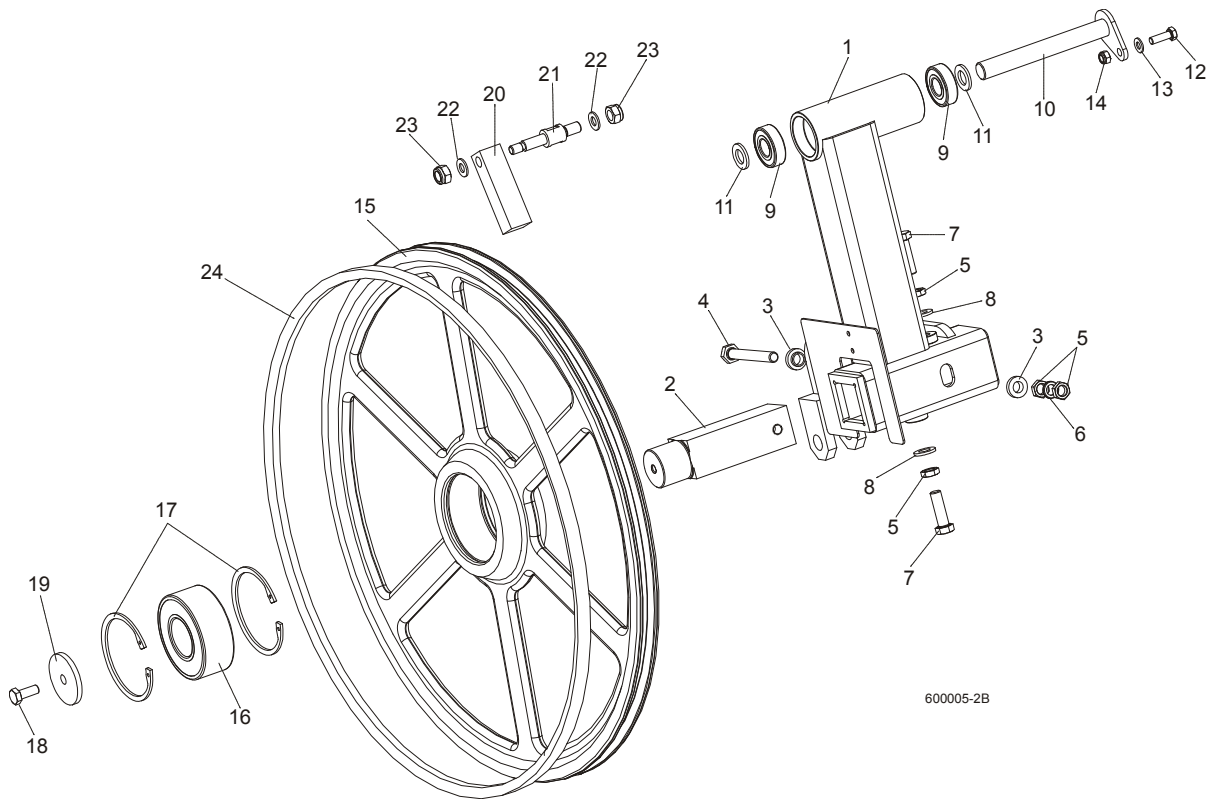
3.1 Blade Drive Assembly



| REF. | DESCRIPTION (◆ Indicates Parts Available In Assemblies Only) | PART # | QTY |
|------|--|-----------|-----|
| 1 | SHAFT, BLADE DRIVE WHEEL | 088475 | 1 |
| 2 | BOLT, M10x25 8.8 HEX HEAD FULL THREAD | F81003-31 | 1 |
| 3 | WASHER, BLADE DRIVE WHEEL | 088956-1 | 1 |
| | PULLEY ASSEMBLY, BLADE DRIVE | 504808 | 1 |
| 4 | Pulley, 3-Groove 484 mm Diameter | 089457-1 | 1 |
| 5 | Bushing, Blade Drive Wheel | 504809 | 1 |
| 6 | Bearing, 3208.2rsr.tvh (FAG) Rolling | 088449 | 3 |
| 7 | Spacer, 51x41x36.3 Drive Bearing | 504810 | 1 |
| 8 | Key, A20x12x100 Parallel | 088477 | 2 |
| 9 | WHEEL, BLADE DRIVE | 090811 | 1 |
| 10 | WASHER, MB21 (FAG) LOCK | 088451 | 1 |
| 11 | NUT, KM21(M105X2) (FAG) LOCK | 088450 | 1 |
| 12 | BAR, WHEEL SCRAPER | 088781 | 1 |
| 13 | SHAFT, WHEEL SCRAPER | 088780-1 | 1 |

| | | | | |
|----|--|-----------|---|--|
| 14 | WASHER, 10.5 ZINC FLAT | F81055-1 | 2 | |
| 15 | NUT, M12-8 HEX NYLON ZINC LOCK | F81034-2 | 2 | |
| 16 | BOLT, M12X1.25X40 HEX HEAD | F81004-42 | 3 | |
| 17 | WASHER, 13 FLAT ZINC | F81056-1 | 3 | |
| 18 | NUT, M12X1.25 8.8 THIN ZINC | F81034-5 | 3 | |
| 19 | SCREW, M16X1.5X50-33H HEX HEAD FULL DOG POINT SET ZINC | F81006-14 | 1 | |
| 20 | WASHER, 17 ZINC FLAT | F81058-1 | 1 | |
| 21 | NUT, M16x1.5-08-B ZINC THIN | F81036-6 | 1 | |
| 22 | BELT, B72.5 BLADE WHEEL | 017922-1 | 1 | |
| 23 | BOLT, M10X65-8.8-B HEX HEAD ZINC | F81003-67 | 1 | |
| 24 | WASHER, 10.5 ZINC FLAT | F81055-1 | 2 | |
| 25 | SPRING, 19X38 | 034430 | 1 | |
| 26 | PLATE, LT70AC SAW HEAD (OPTION) | 100897-1 | 1 | |
| | BELT, 3B/HB2462 La | 089464 | 1 | |

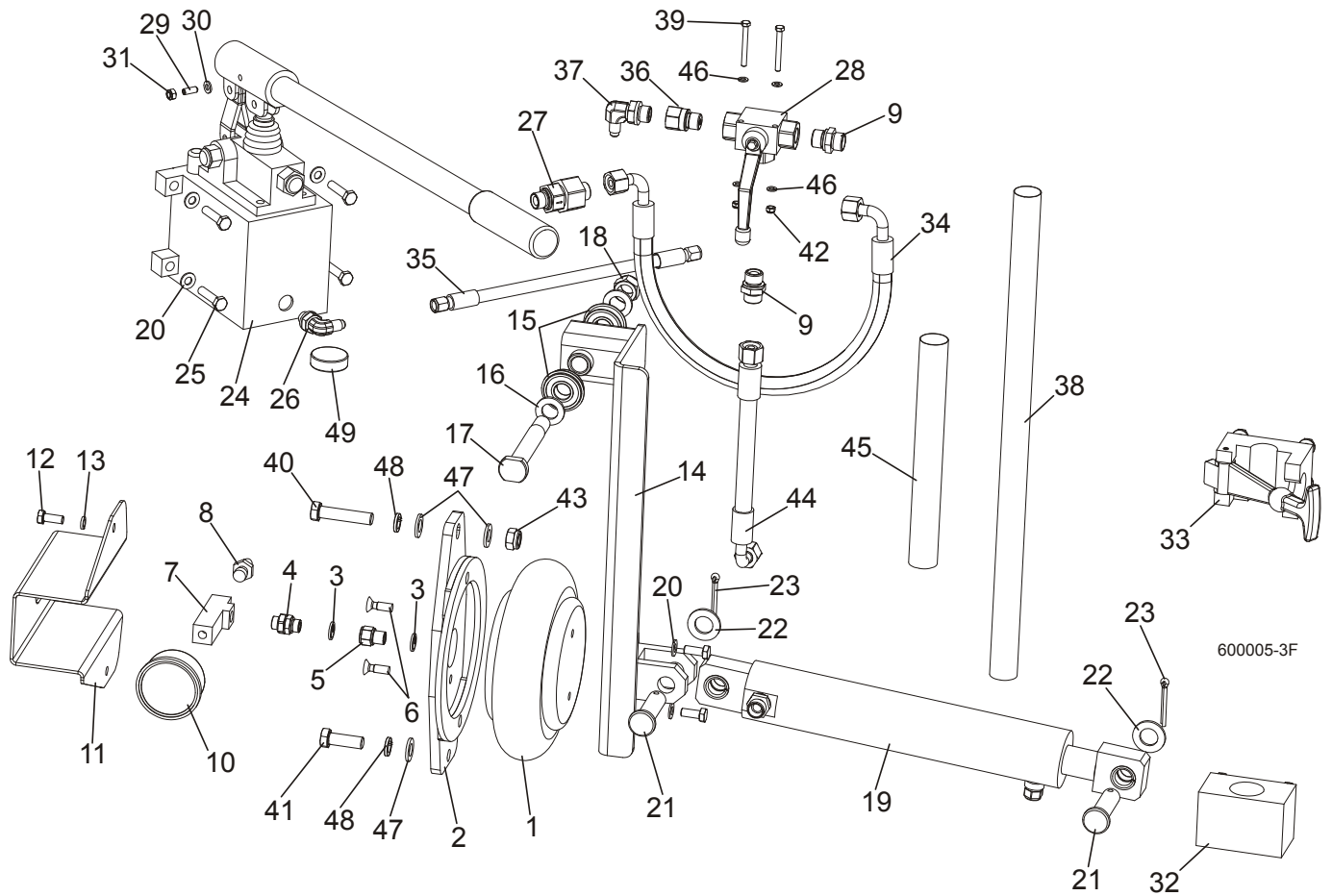
3.2 Idle Blade Wheel Assembly



| REF. | DESCRIPTION (◆ Indicates Parts Available In Assemblies Only) | PART # | QTY | |
|------|--|-----------|-----|--|
| | TUBE, LT70 IDLE SIDE BLADE WHEEL W/LEVER - COMPLETE | 092791 | 1 | |
| 1 | Tube Weldment, LT70 Idle Blade Wheel w/Lever | 092780-1 | 1 | |
| 2 | Shaft, Idle Blade Wheel | 088474 | 1 | |
| 3 | Washer, Zinc Special | 086769-1 | 2 | |
| 4 | Bolt, M12x1.25x100-8.8 Hex Head Zinc | F81004-41 | 1 | |
| 5 | Nut, M12x1.25 8.8 Hex Thin Zinc | F81034-5 | 4 | |
| 6 | Washer, Z12.2 Split Zinc Lock | F81056-2 | 1 | |
| 7 | Bolt, M12x1.25x40 Hex Head | F81004-42 | 2 | |
| 8 | Washer, 13 Zinc Flat | F81056-1 | 2 | |

| | | | | |
|----|--|-----------|---|--|
| 9 | Bearing, 6204 2RS-CX Rolling | 088447 | 2 | |
| 10 | PIN WELDMENT, PIVOT | 088759-1 | 1 | |
| 11 | WASHER, 17 ZINC FLAT | F81058-1 | 2 | |
| 12 | BOLT, M8X25-8.8-B HEX HEAD FULL THREAD ZINC | F81002-5 | 1 | |
| 13 | WASHER, 8.4 ZINC FLAT | F81054-1 | 1 | |
| 14 | NUT, M8-8-B HEX NYLON ZINC LOCK | F81032-2 | 1 | |
| | WHEEL ASSEMBLY, IDLE SIDE | 088764 | 1 | |
| 15 | Wheel, Blade Idle Side | 090810 | 1 | |
| 16 | Bearing, 3309B.2RSR.TVH-P66 FAG | 086428 | 1 | |
| 17 | Ring, W100 Spring Retaining | F81090-10 | 2 | |
| 18 | BOLT, M10X25 8.8 HEX HEAD FULL THREAD | F81003-31 | 1 | |
| 19 | WASHER, IDLE BLADE WHEEL RETAINING | 088957-1 | 1 | |
| 20 | SCRAPER, IDLE BLADE WHEEL | 088781 | 1 | |
| 21 | SHAFT, SHORT ZINC WHEEL SCRAPER | 088779-1 | 1 | |
| 22 | WASHER, 10.5 ZINC FLAT | F81055-1 | 2 | |
| 23 | NUT, M12-8 HEX NYLON ZINC LOCK | F81034-2 | 2 | |
| 24 | BELT, B72.5 BLADE WHEEL | 017922-1 | 1 | |

3.3 Hydraulic Blade Tensioner Assembly



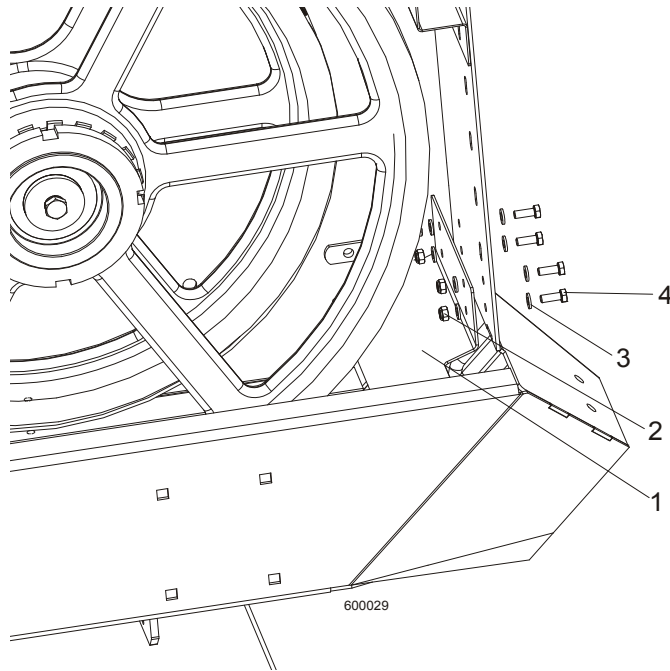
| REF. | DESCRIPTION (◆ Indicates Parts Available In Assemblies Only) | PART # | QTY |
|------|--|-----------|-----|
| | COMPLETE HYDRAULIC BLADE TENSIONER | 504801 | 1 |
| 1 | BAG, POJ 192 308 100 0 AIR | 088576 | 1 |
| 2 | BRACKET, AIR BAG MOUNT | 088798-1 | 1 |
| 3 | SEAL, G1/4 866-014-000-0 | 090809 | 4 |
| 4 | NIPPLE, 1/4 8632141400)BOSCH | 097703 | 1 |
| 5 | FITTING, 1/4 THREAD/1/4 THREAD 2521 | 097704 | 1 |
| 6 | BOLT, M8X25 PAN HEAD ZINC | F81002-51 | 2 |
| 7 | TEE CONNECTOR, SPECIAL | 097702-1 | 1 |
| 8 | FITTING, 1/4" THREAD 390 004 004 0 (REXROTH) AIR TANK VALVE | 088575 | 1 |
| 9 | FITTING, HD-GE-12L-BE-06 STRAIGHT | 094561 | 2 |
| 10 | GAUGE, M63T-2,5/20G G 1/8 0-0,6 MPA/PSI AIR PRESSURE | 088568 | 1 |
| 11 | GUARD, AIR PRESSURE GAUGE | 088924-1 | 1 |
| 12 | SCREW, M8X25 CROSS RECESSED COUNTERSUNK HEAD ZINC | F81002-4 | 4 |
| 13 | WASHER, 8.2 ZINC SPLIT LOCK | F81054-4 | 2 |
| 14 | ARM, AIR CYLINDER PAINTED | 092779-1 | 1 |
| 15 | BEARING W/SNAP RING 6203-2RS | 086395 | 2 |
| 16 | WASHER, 17 FLAT ZINC | F81058-1 | 2 |
| 17 | PIN, IDLER ARM MOUNT | 086404 | 1 |
| 18 | NUT, M16-8 HEX NYLON ZINC LOCK | F81036-2 | 2 |

3 Blade Wheels & Tensioner

Hydraulic Blade Tensioner Assembly

| | | | | |
|----|--|-----------|---|--|
| 19 | CYLINDER, HYDRAULIC - COMPLETE | 092788 | 1 | |
| | CYLINDER, SHDJ050/030X80 HYDRAULIC | 092787-1 | 1 | |
| | BUSHING, TUF1 18x120 CX | 500106 | 4 | |
| | FITTING, HD-GE-12L-BE-06 STRAIGHT | 094561 | 1 | |
| | VALVE, 2901-14-17 AIR VENT | 090794 | 1 | |
| 20 | WASHER, 8.4 ZINC FLAT | F81054-1 | 6 | |
| 21 | PIN, PN-EN 22341-B-18X65X57-A2 | F81049-4 | 2 | |
| 22 | WASHER, 19 FLAT ZINC | F81060-1 | 2 | |
| 23 | PIN, S-ZN 5X40 COTTER | F81043-31 | 2 | |
| 24 | PUMP, PMS12/TNK1 MANUAL W/TANK 1L | 092789 | 1 | |
| 25 | BOLT, M8x35 -8.8 HEX HEAD FULL THREAD ZINC | F81002-13 | 4 | |
| 26 | ELBOW, CA-204410-3 | 094562 | 1 | |
| 27 | VALVE, RHV12LREDA3C CHECK | 094559 | 1 | |
| 28 | VALVE, BALL 3-WAY RSAP3 VOL2L G3/8" | 504803 | 1 | |
| 29 | LATCH, GN615.3-M6-KN BALL THREADED | 096874 | 1 | |
| 30 | WASHER, 6.4 FLAT ZINC | F81053-1 | 1 | |
| 31 | NUT, M6-8-B HEX NYLON LOCK ZINC | F81031-2 | 1 | |
| 32 | BRACKET, TENSIONER PUMP HANDLE BOTTOM | 096951 | 1 | |
| 33 | BRACKET, TENSIONER PUMP HANDLE UPPER | 092800 | 1 | |
| 34 | HOSE, DN10 W/FITTING 10AOL 90 M18X1.5 | 504804 | 1 | |
| 35 | HOSE, 1/4 W/FITTING JIC 7/16-20 | 504805 | 1 | |
| 36 | FITTING, G 3/8 THROTTLE | 096849 | 1 | |
| 37 | ELBOW, CA-204411-3 | 094563 | 1 | |
| 38 | HOSE PROTECTION | 505178 | 1 | |
| 39 | BOLT, M5X45 DIN933 A2-70 STAINLESS STEEL | F81000-22 | 2 | |
| 40 | BOLT, M12X55-8.8 HEX HEAD ZINC | F81004-12 | 1 | |
| 41 | BOLT, M12 X 35-8.8-FE/ZN5 HEX HEAD FULL THREAD | F81004-24 | 1 | |
| 42 | NUT, M5-8-FE/ZN5 DIN985 | F81030-2 | 2 | |
| 43 | NUT, M12-8 HEX NYLON ZINC LOCK | F81034-2 | 1 | |
| 44 | HOSE, DN12 W/FITTINGS PN10AOL90 I PN10AOL M1.5 | 096964 | 1 | |
| 45 | HOSE PROTECTION | 098489 | 1 | |
| 46 | WASHER, 5.3 FLAT ZINC | F81052-1 | 4 | |
| 47 | WASHER, 13 FLAT ZINC | F81056-1 | 3 | |
| 48 | WASHER, Z12.2 SPLIT LOCK ZINC | F81056-2 | 2 | |
| 49 | MAGNET, MW.38X12/N38 NEODYMIUM | 500022 | 1 | |

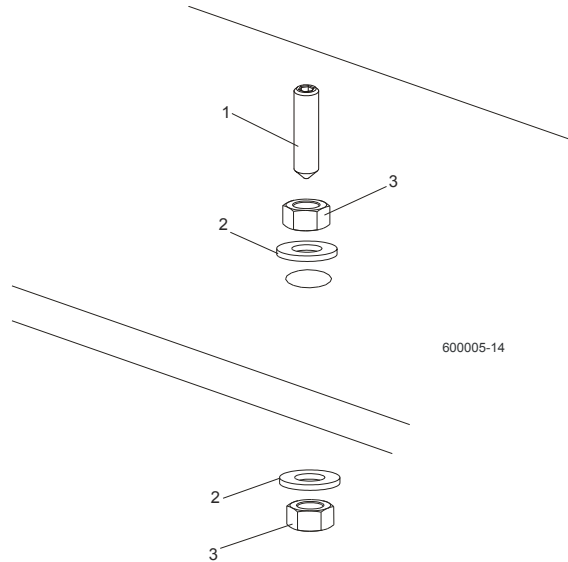
3.4 Sawdust Flow Guide



| REF. | DESCRIPTION (◆ Indicates Parts Available In Assemblies Only) | PART # | QTY | |
|------|--|-----------|-----|--|
| 1 | GUIDE, SAWDUST FLOW PAINTED | 090506 | 1 | |
| 2 | NUT, M6-8-B HEX NYLON ZINC LOCK | F81031-2 | 4 | |
| 3 | WASHER 6.4 ZINC FLAT | F81053-1 | 8 | |
| 4 | BOLT, M6 X 16 8.8 HEX HEAD FULL THREAD ZINC | F81001-15 | 4 | |

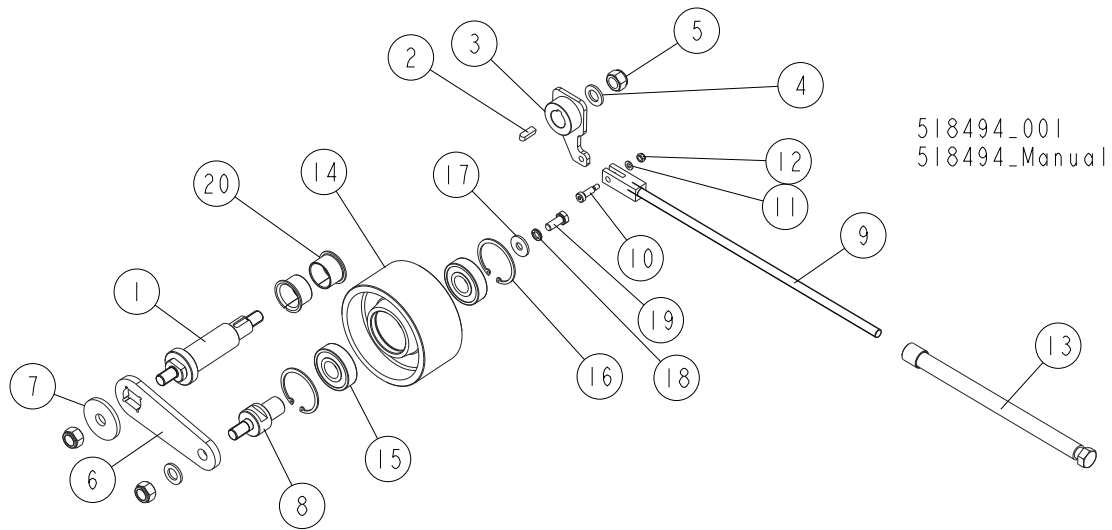
SECTION 4 SAW HEAD

4.1 Middle Throat Screw



| REF. | DESCRIPTION (◆ Indicates Parts Available In Assemblies Only) | PART # | QTY | |
|------|--|-----------|-----|--|
| 1 | SCREW, M10X40-45H HEX SOCKET SET CONE POINT ZINC | F81003-61 | 1 | |
| 2 | WASHER, 10.5 ZINC FLAT | F81055-1 | 2 | |
| 3 | NUT, M10-8-B ZINC HEX | F81033-3 | 2 | |

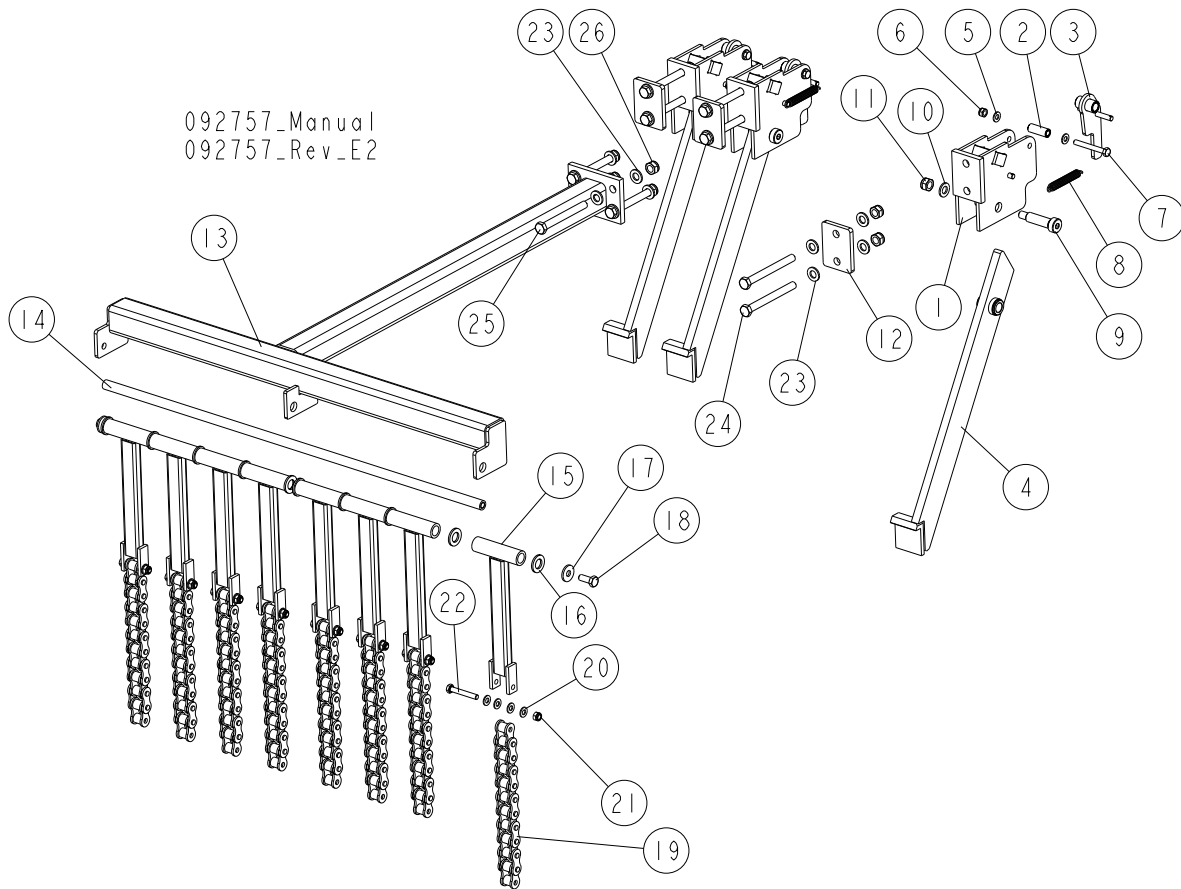
4.2 Drive Belt Tensioner (DC)



518494_001
518494_Manual

| REF. | DESCRIPTION (◆ Indicates Parts Available In Assemblies Only) | PART # | QTY |
|------|--|---------------|----------|
| | TENSIONER, LT70 DC DRIVE BELT - COMPLETE | 518494 | 1 |
| 1 | SHAFT, BLADE TENSIONER ZINC-PLATED | 518495-1 | 1 |
| 2 | KEY, AB 8X7X25 PARALLEL | 099848 | 1 |
| 3 | ARM WELDMENT, BELT TENSIONER | 518496-1 | 1 |
| 4 | WASHER, 17 SPLIT LOCK ZINC | F81058-1 | 2 |
| 5 | NUT, M16-8 HEX NYLON ZINC LOCK | F81036-2 | 3 |
| 6 | ARM, TENSION WHEEL ZINC-PLATED | 518051-1 | 1 |
| 7 | WASHER, 17.5/60-6 ZINC-PLATED | 098012-1 | 1 |
| 8 | SHAFT, BELT TENSION WHEEL ZINC-PLATED | 518052-1 | 1 |
| 9 | ROD WELDMENT, THREADED ZINC-PLATED | 088789-1 | 1 |
| 10 | BOLT, 8/M6X20-12.9 ISO 7379 SHOULDER | F81001-25 | 1 |
| 11 | WASHER, 6.4 FLAT ZINC | F81053-1 | 1 |
| 12 | NUT, M6-8-B HEX NYLON ZINC LOCK | F81031-2 | 1 |
| 13 | TUBE WELDMENT, THREADED ZINC-PLATED | 088782-1 | 1 |
| | WHEEL, LT70DC BELT TENSION - COMPLETE | 514843 | 1 |
| 14 | WHEEL, BELT TENSION | 509882 | 1 |
| 15 | BEARING, .9843X2.4409X.6693 | P08066 | 2 |
| 16 | RING, 62W INSIDE RETAINING | F81090-1 | 2 |
| 17 | WASHER, 11/30-3 ZINC-PLATED | 088787-1 | 1 |
| 18 | WASHER, Z 10.2 SPLIT LOCK ZINC | F81055-2 | 1 |
| 19 | BOLT, M10X25 8.8 HEX HEAD FULL THREAD ZINC | F81003-11 | 1 |
| 20 | BEARING, PCMF 353926E SLIDE (SKF) | 518043 | 2 |

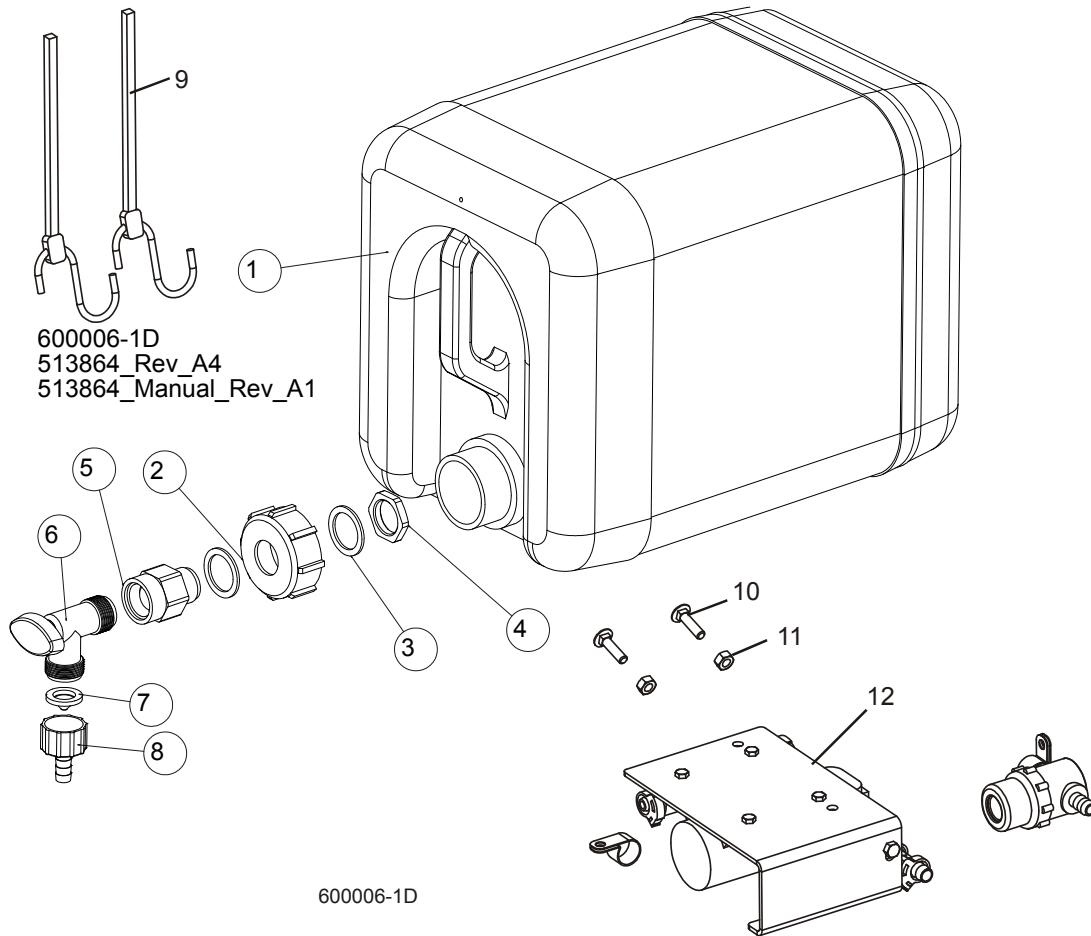
4.3 Board Return Assembly (Optional)



| REF. | DESCRIPTION (◆ Indicates Parts Available In Assemblies Only) | PART # | QTY |
|------|--|---------------|----------|
| | BOARD RETURN ASSEMBLY | 092757 | 1 |
| | BOARD, RETURN ASSEMBLY | 090120 | 3 |
| 1 | MOUNT WELDMENT, BOARD RETURN ARM | 090109-1 | 1 |
| 2 | SPACER, ZINC | 090115-1 | 1 |
| 3 | LATCH WELDMENT, BOARD RETURN ARM | 090118-1 | 1 |
| 4 | ARM, BOARD RETURN | 090112-1 | 1 |
| 5 | WASHER, 8.4 FLAT ZINC | F81054-1 | 2 |
| 6 | NUT, M8-8-B HEX NYLON ZINC LOCK | F81032-2 | 1 |
| 7 | BOLT, M8x65-5.8 HEX HEAD ZINC | F81002-3 | 1 |
| 8 | SPRING, EXT 1/2X2 1/4X.06 | 014817 | 2 |
| 9 | BOLT, 16/M12X50-12.9 ISO7379-BOSSARD SOCKET HEAD | F81004-25 | 1 |
| 10 | WASHER, 13 FLAT ZINC | F81056-1 | 1 |
| 11 | NUT, M12-8 HEX NYLON ZINC LOCK | F81034-2 | 1 |
| 12 | WASHER, SPECIAL | 092756-1 | 3 |
| | GUIDE, BOARD RETURN | 514162 | 1 |
| 13 | GUIDE WELDMENT, BOARD RETURN | 091067-1 | 1 |
| 14 | ROD, BOARD RETURN GUIDE | 091074 | 1 |
| 15 | BAR WELDMENT, BOARD GUIDE UPPER | 091070-1 | 8 |
| 16 | WASHER, 17 FLAT ZINC | F81058-1 | 10 |
| 17 | WASHER, 10.5 ZINC FLAT SPECIAL | F81055-6 | 2 |
| 18 | BOLT, M10 X 25 8.8 HEX HEAD FULL THREAD ZINC | F81003-31 | 2 |

| REF. | DESCRIPTION (◆ Indicates Parts Available In Assemblies Only) | PART # | QTY | |
|------|--|-----------|-----|--|
| 19 | CHAIN 16B-1 - 0.28M | 514163 | 8 | |
| 20 | WASHER, 8.4 FLAT ZINC | F81054-1 | 32 | |
| 21 | NUT, M8-8-B HEX NYLON ZINC LOCK | F81032-2 | 8 | |
| 22 | BOLT, M8 X 55 8.8 HEX HEAD ZINC | F81002-8 | 8 | |
| 23 | WASHER, 13 FLAT ZINC | F81056-1 | 20 | |
| 24 | BOLT, M12X120 8.8 HEX HEAD ZINC | F81004-38 | 6 | |
| 25 | BOLT, M12X110-8.8-B HEX HEAD ZINC | F81004-47 | 4 | |
| 26 | NUT, M12-8 HEX NYLON ZINC LOCK | F81034-2 | 10 | |

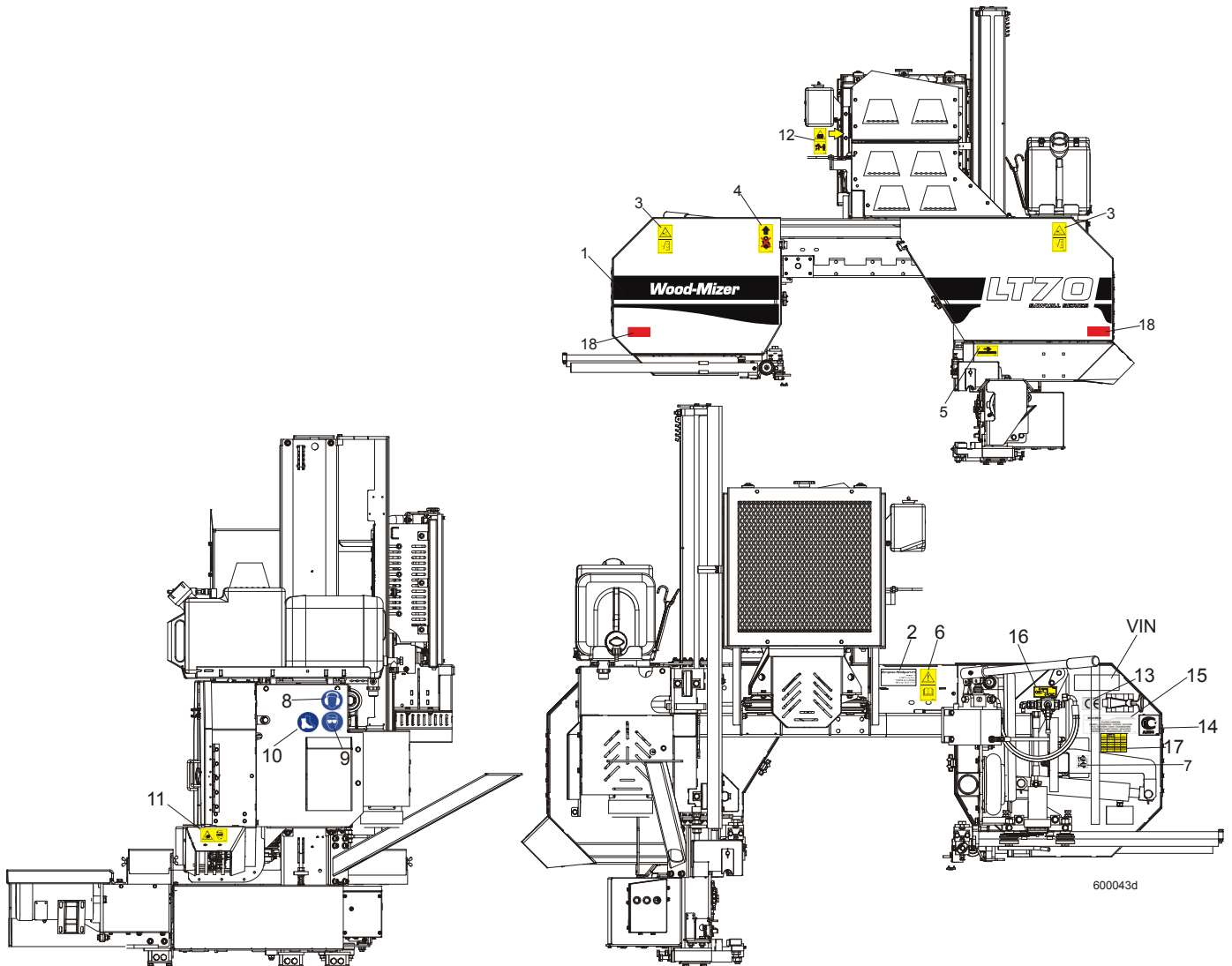
4.4 Water Lube Assembly



| REF. | DESCRIPTION (◆ Indicates Parts Available In Assemblies Only) | PART # | QTY |
|------|--|---------------------------|----------|
| | BOTTLE, WATER - COMPLETE | 513864 | 1 |
| | BOTTLE, WATER WITH NUT | 513865¹ | 1 |
| 1 | BOTTLE, WATER | 513866 | 1 |
| 2 | NUT, BOTTLE | 513867 | 1 |
| 3 | SEAL, RUBBER 35X26X2 | 513869 | 2 |
| 4 | NUT, 3/4 NPT 467616 GLAND | 513868 | 1 |
| 5 | FITTING, 3/4FPT X 3/4MPT REDUCER | 014636 | 1 |
| 6 | FITTING, WATER LUBE SHUTOFF VALVE | 014100 | 1 |
| 7 | FILTER, WATER LUBE | 016086 | 1 |
| 8 | FITTING, 5/8" NPT TO 3/8" HOSE BARB | 014113 | 1 |
| 9 | STRAP, 20" RUBBER | P11668 | 2 |
| 10 | BOLT, 1/4-20 X 1" CARRIAGE | F05005-34 | 2 |
| 11 | NUT, 1/4-20 HEX LOCK | F05010-21 | 2 |
| 12 | LUBEMIZER PARTS/HOSES (SEE LUBEMIZER OPTION MANUAL) | | |

¹ The service number 513865-S includes: 513865, 513869, 513868

4.5 LT70DC Saw Head Decals



600043d

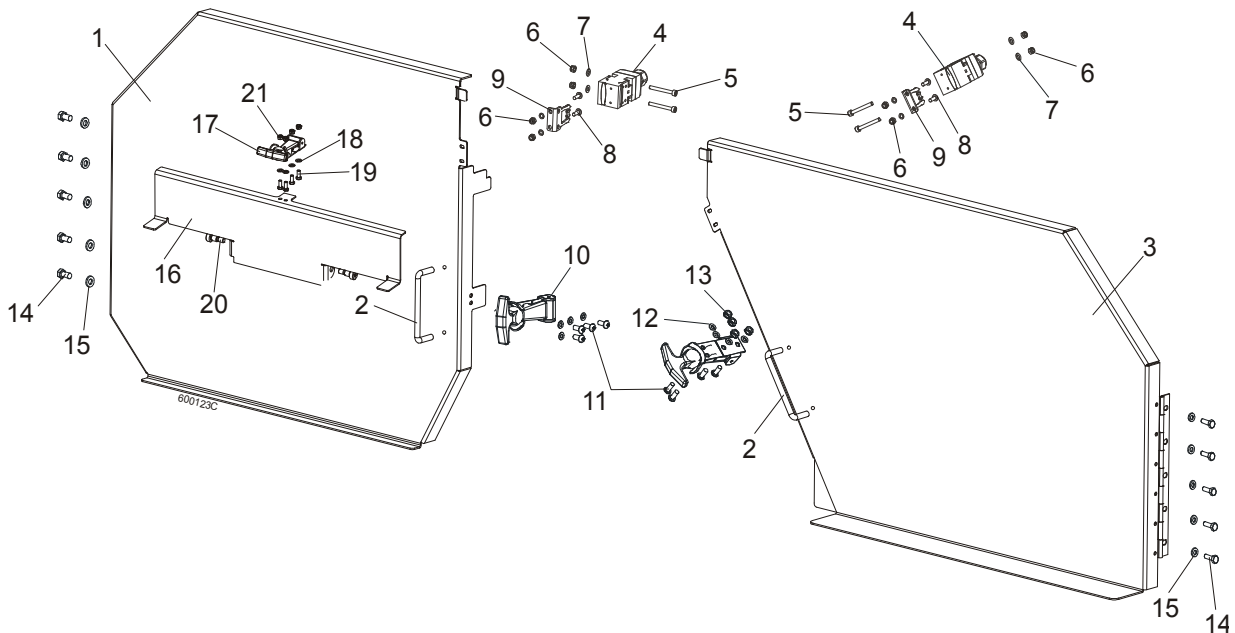
| REF. | DESCRIPTION (◆ Indicates Parts Available In Assemblies Only) | PART # | QTY |
|------|--|-----------|-----|
| 1 | DECAL, LT70 SERIES SAWMILL | 092764 | 1 |
| | PICTOGRAPHIC DECAL KIT, LT70DC | 099519 | 1 |
| 2 | DECAL, EUROPEAN HEADQUARTERS ADDRESS | 015841 | 1 |
| 3 | DECAL, SAWMILL COVERS CAUTION (PICTOGRAM) | 099220 | 1 |
| 4 | DECAL, PICTOGRAM (BLACK ARROW & HOOK) | 085977B | 1 |
| 5 | DECAL, BLADE MOVEMENT DIRECTION (PICTOGRAM) | 096321 | 1 |
| 6 | DECAL, READ OPERATOR'S MANUAL (PICTOGRAM) | 096317 | 1 |
| 7 | DECAL, BLADE ALIGNMENT (PICTOGRAM) | P11789-70 | 1 |
| 8 | DECAL, EYE PROTECTION WARNING (PICTOGRAM) | S12004G | 1 |
| 9 | DECAL, EAR PROTECTION WARNING (PICTOGRAM) | S12005G | 1 |
| 10 | DECAL, USE SAFETY BOOTS (PICTOGRAM) | 501465 | 1 |
| 11 | DECAL, SAWDUST CHUTE WARNING (PICTOGRAM) | 099222 | 1 |
| 12 | DECAL, KEEP AWAY - HOT PARTS | 086099 | 1 |
| 13 | DECAL, CE CERTIFIED SAWMILL (SMALL) | P85070 | 2 |
| 14 | DECAL, RUSSIAN SAFETY CERTIFICATION | 099401 | 1 |
| 15 | DECAL, INTERNATIONAL SAWMILL NAME | 501466 | 1 |

4

SAW HEAD*LT70DC Saw Head Decals*

| | | | | |
|----|---|-----------|---|--|
| | DECAL, BLADE SETTING | P85066-70 | 1 | |
| | DECAL, KEEP AWAY DANGER, PICTOGRAM | 099221 | 1 | |
| | DECAL, MAX. OIL PRESSURE, PICTOGRAM | 099524 | 1 | |
| 16 | DECAL, LEVER OF TENSIONER'S BALL VALVE | 505189 | 1 | |
| 17 | DECAL, BLADE TENSION VALUES | 518439 | 1 | |
| 18 | REFLECTOR, 2" DIA. RED (FOR PORTABLE SAWMILLS ONLY) | 521701 | 2 | |
| | DECAL, STAY A SAFE DISTANCE FROM THE BLADE (FOR DEBARKERS) | 098176 | 1 | |

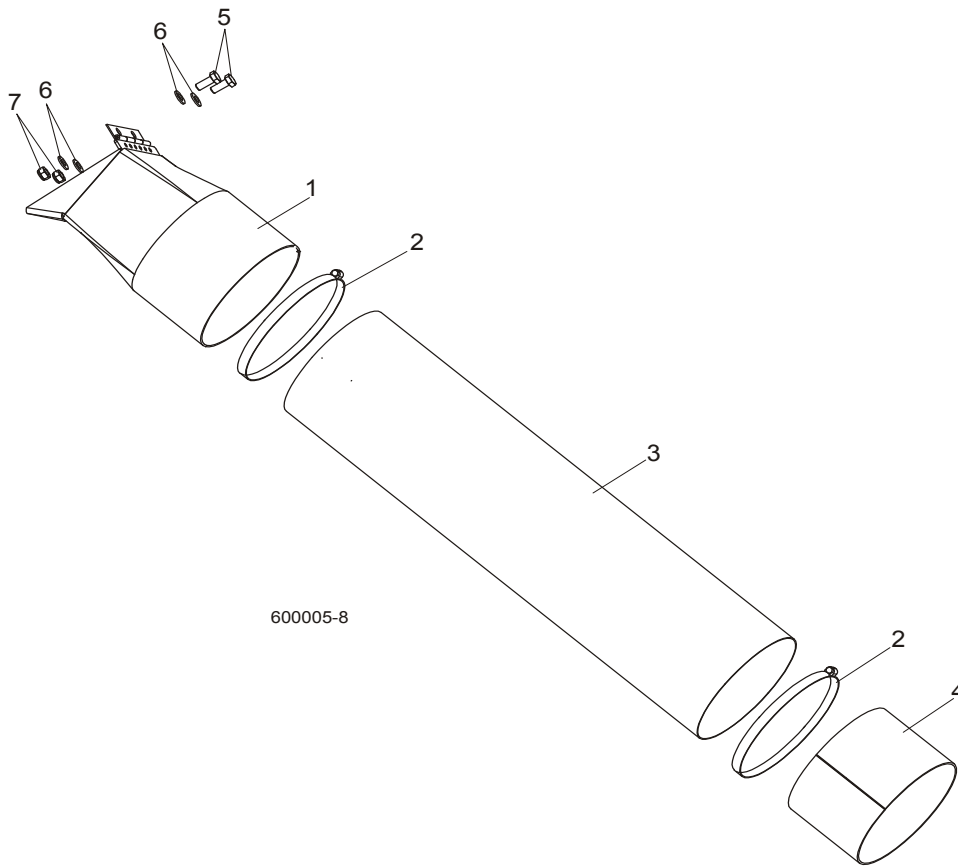
4.6 Blade Housing Covers



| REF. | DESCRIPTION (◆ Indicates Parts Available In Assemblies Only) | PART # | QTY |
|------|--|---------------------------|----------|
| | COVER ASSEMBLY, IDLE SIDE BLADE HOUSING | 088920 | 1 |
| 1 | Cover Assembly, Idle Side Blade Housing | 088915-1 | 1 |
| 2 | Handle, Blade Housing Cover | P08065 | 1 |
| | COVER ASSEMBLY, DRIVE SIDE BLADE HOUSING | 088921 | 1 |
| 3 | Cover Assembly, Drive Side Blade Housing | 088917-1 | 1 |
| 2 | Handle, Blade Housing Cover | P08065 | 1 |
| 4 | SAFETY SWITCH, AZ17-11ZRK | 094232 | 2 |
| 5 | SCREW, M4x35-8.8 HEX SOCKET HEAD CAP ZINC | F81011-34 | 4 |
| 6 | NUT, M3-6 HEX NYLON ZINC LOCK | F81028-2 | 8 |
| 7 | WASHER 4.3 ZINC FLAT | F81051-2 | 8 |
| 8 | SCREW, M4 X 12 5.8-B SLOTTED COUNTERSUNK HEAD ZINC | F81011-41 | 4 |
| 9 | KEY, AZ17/170-B5 SAFETY SWITCH | 094422 | 4 |
| 10 | LATCH, FLEXIBLE DRAW | 014829 | 2 |
| 11 | BOLT, M5X12-5.8 HEX HEAD FULL THREAD ZINC | F81000-5 | 8 |
| 12 | WASHER 5.3 ZINC FLAT | F81052-1 | 8 |
| 13 | NUT, M5-8 DIN 985 ZINC | F81030-2 | 8 |
| 14 | BOLT, M6X16 8.8 HEX HEAD FULL THREAD ZINC | F81001-15 | 10 |
| 15 | WASHER 6.4 ZINC FLAT | F81053-1 | 10 |
| | COVER, LT70 BLADE UPPER - COMPLETE | 511536¹ | 1 |
| 16 | PLATE, LT70 UPPER COVER | 511802-1 | 1 |
| 17 | LATCH, FLEXIBLE DRAW | 014829 | 1 |
| 18 | WASHER, 5.3 FLAT ZINC | F81052-1 | 2 |
| 19 | BOLT, M5 X 12-5.8 HEX HEAD FULL THREAD ZINC | F81000-5 | 4 |
| 20 | BOLT, 10/M8 X 12-12.9 ISO-7379 | F81003-62 | 2 |
| 21 | NUT, M5-8-Fe/Zn5 DIN985 | F81030-2 | 2 |

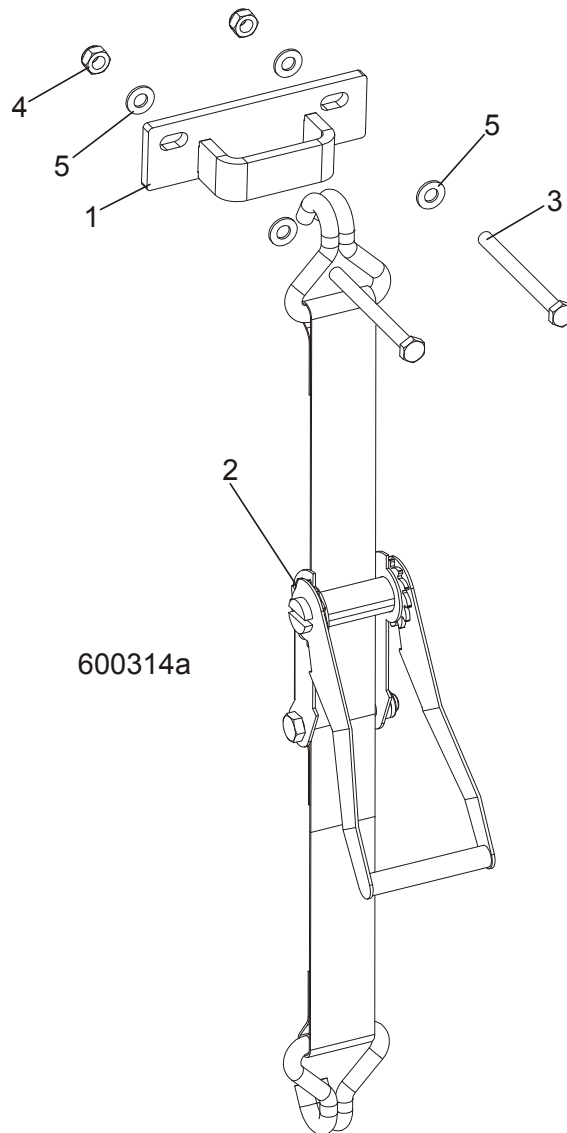
¹ Belongs to 088771 and 88770

4.7 Sawdust Chute



| REF. | DESCRIPTION (◆ Indicates Parts Available In Assemblies Only) | PART # | QTY |
|------|--|----------|-----|
| 1 | CHUTE WELDMENT, SAWDUST | 089352-1 | 1 |
| 2 | CLAMP, 152 MM | 089358 | 2 |
| 3 | TUBE, SAWDUST CHUTE | 090153 | 1 |
| 4 | TUBE, CHUTE END | 090126-1 | 1 |
| 5 | BOLT, M8X20-8.8-B HEX HEAD FULL THREAD ZINC | F81002-4 | 2 |
| 6 | WASHER, 8.4 ZINC FLAT | F81054-1 | 4 |
| 7 | NUT, M8-8-B HEX NYLON ZINC LOCK | F81032-2 | 2 |

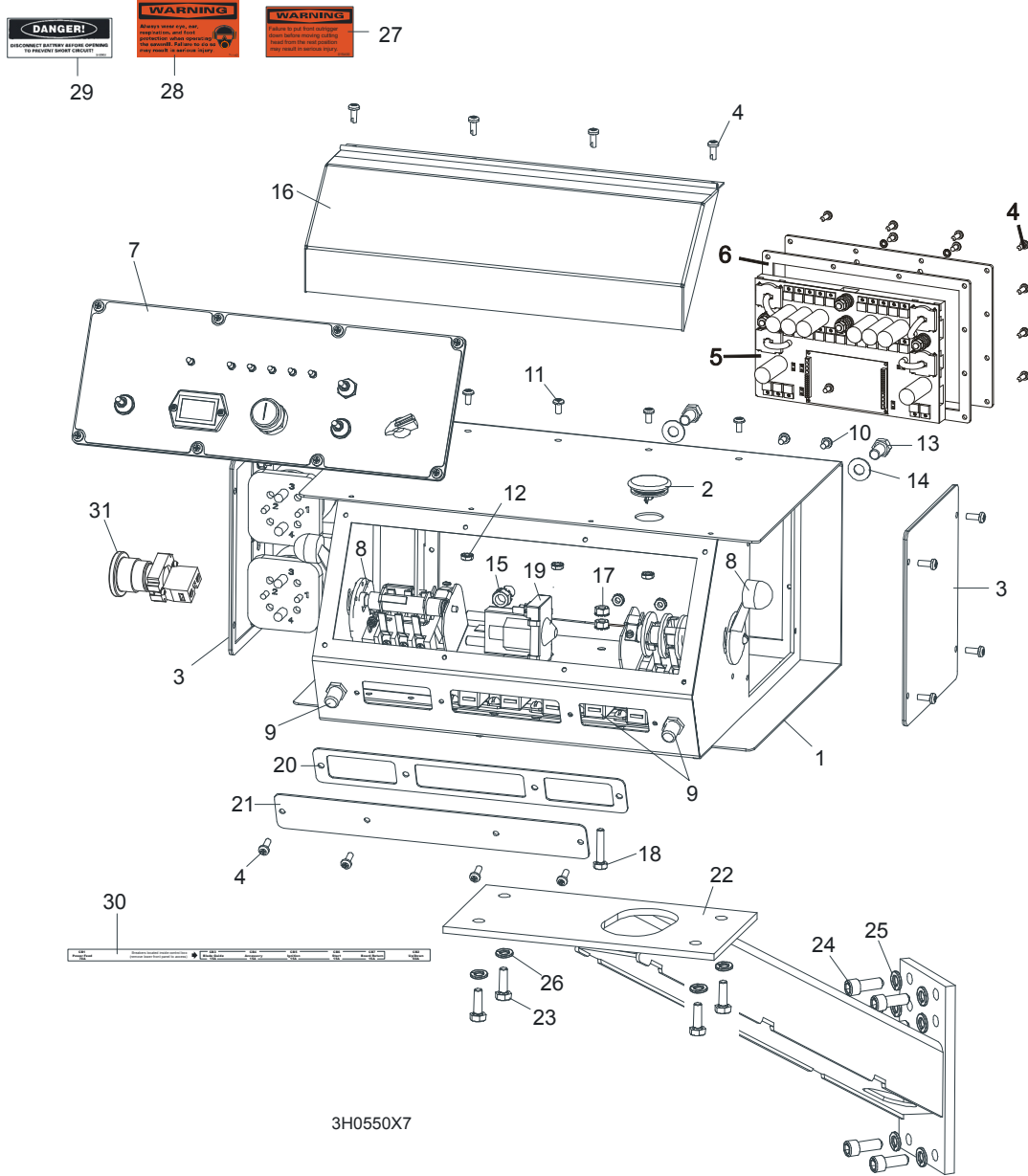
4.8 Saw Head Protection Kit, LT70M Mobile



| REF. | DESCRIPTION (◆ Indicates Parts Available In Assemblies Only) | PART # | QTY |
|------|--|-----------|-----|
| | SAW HEAD PROTECTION KIT, LT70M MOBILE | 505564 | 1 |
| 1 | BRACKET, PROTECTION BELT | 505364-1 | 1 |
| 2 | BELT, LT70 SAW HEAD PROTECTION | 505563 | 1 |
| 3 | BOLT, M10x75-8.8 HEX HEAD ZINC | F81003-15 | 2 |
| 4 | NUT, M10-8-B NYLON HEX ZINC LOCK | F81033-1 | 2 |
| 5 | WASHER, 10.5 FLAT ZINC | F81055-1 | 4 |

SECTION 5 CONTROL & BATTERY BOXES

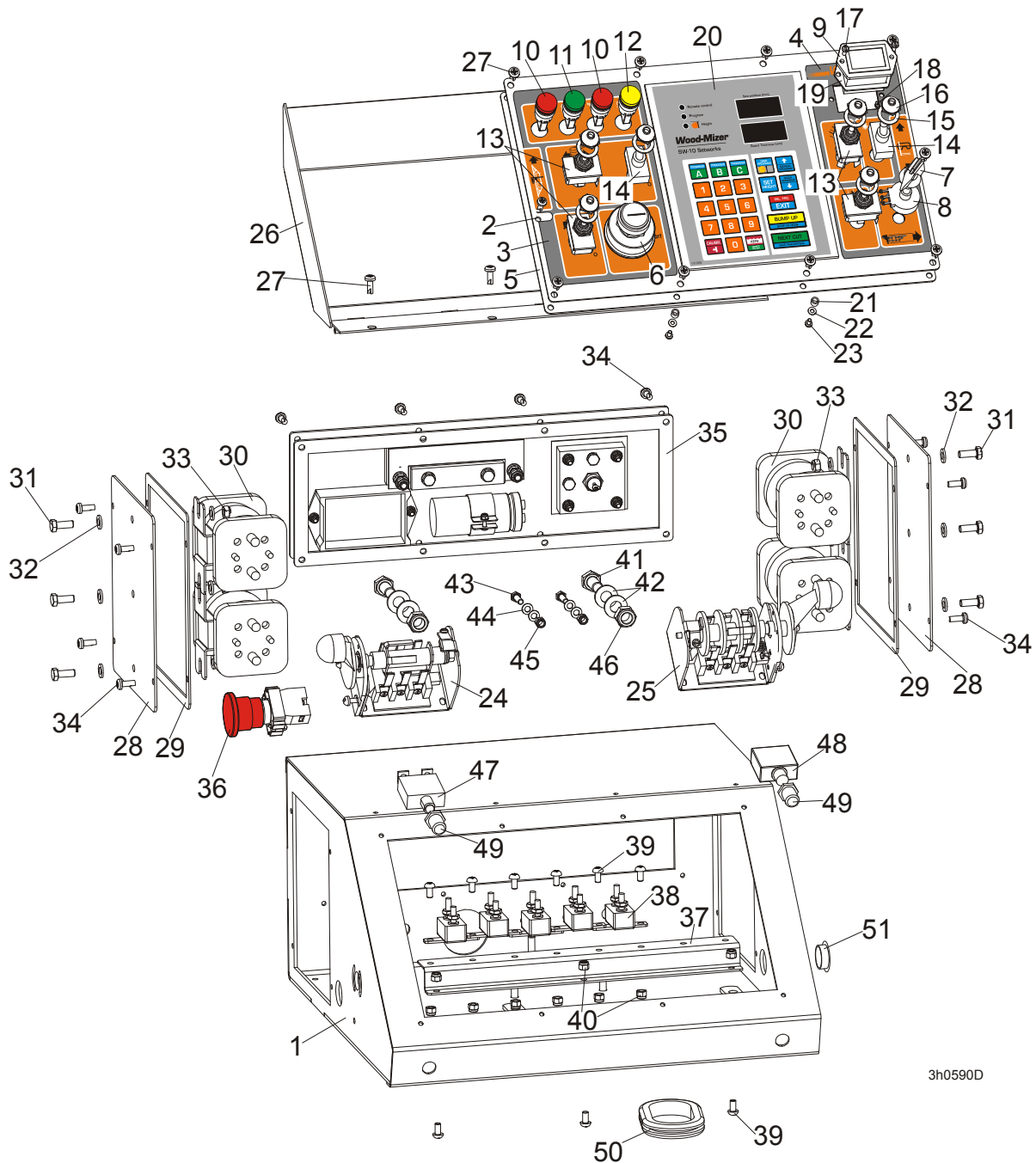
5.1 Control Assembly (Gas/Diesel)



| REF | DESCRIPTION (◆ Indicates Parts Available In Assemblies Only) | PART # | QTY. |
|-----|---|--------------------|--------|
| | CONTROL BOX ASSEMBLY, D42 | 095000 | 1 |
| 1 | DC Control Box | 095012-1 | 1 |
| 2 | Plug, AS075 Oiltite | E20570 | 1 |
| 3 | Solenoid Parts (See Section) | | |
| 4 | Screw, #10-24 x 1/2" Pan Head | F05015-17 | 16 |
| 5 | Panel Assembly, Power Feed Control Circuit Board, Control Box Power Feed | 095010-1 051667 | 1 1 |
| 6 | Gasket, Rear Access Panel | 095011 | 1 |
| 7 | Front Control Panel & Wiring Harnesses (Section 5.4) | | |

| | | | | |
|----|--|------------|---|--|
| 8 | Drum Switches (Section 5.3) | | | |
| 9 | Circuit Breakers (Section 5.5) | | | |
| 10 | Screw, #10-24 x 3/8" Phillips Pan Head | F05004-3 | 2 | |
| 11 | Screw, #10-24 x 3/8" Phillips Pan Head Machine with Neo Washer | F05004-148 | 4 | |
| 12 | Nut, #10-24 Self Locking | F05010-14 | 6 | |
| 13 | Bolt, 3/8-16 x 3/4" Hex Head | F05007-27 | 2 | |
| 14 | Washer, 10.5 Flat | F81055-1 | 2 | |
| 15 | Nut, 3/8" Lock Nut | F05010-19 | 2 | |
| 16 | Cover, Control Box Hinged | 015304 | 1 | |
| 17 | Nut, 1/4-20 Self-locking | F05010-9 | 2 | |
| 18 | Bolt, 1/4-20 x 1 1/4" Hex Head Tap | F05005-3 | 1 | |
| 19 | Solenoid, 200A 12V SPST | 015470 | 1 | |
| | Diode Assembly, Solenoid Coil Chassis GND | 087496 | 1 | |
| 20 | Gasket, Front Access Panel | 015266 | 1 | |
| 21 | Panel, Control Box Front Access | 086704-1 | 1 | |
| 22 | MOUNT WELDMENT, STANDARD CONTROL BOX | 086732-1 | 1 | |
| 23 | NUT, 5/16-18 SELF-LOCKING HEX | F05010-20 | 4 | |
| 24 | BOLT, M10 X 25-8.8 SOCKET HEAD | F81003-32 | 4 | |
| 25 | WASHER, 10.2 SPLIT LOCK | F81055-2 | 4 | |
| 26 | WASHER, 3/8" EXTERIOR STAR LOCK | F05011-36 | 4 | |
| 27 | DECAL, FRONT OUTRIGGER WARNING | 015400 | 1 | |
| 28 | DECAL, EAR/EYE PROTECTION WARNING | S11753 | 1 | |
| 29 | DECAL, DISCONNECT BATTERY DANGER | S12002 | 1 | |
| 30 | DECAL, CIRCUIT BREAKER ID ('98 SUPER) | 024362 | 1 | |
| 31 | SWITCH, RED EMERGENCY STOP XALJ174F | E22703-2 | 1 | |

5.2 Control Assembly, LT70 M RSW Series DH



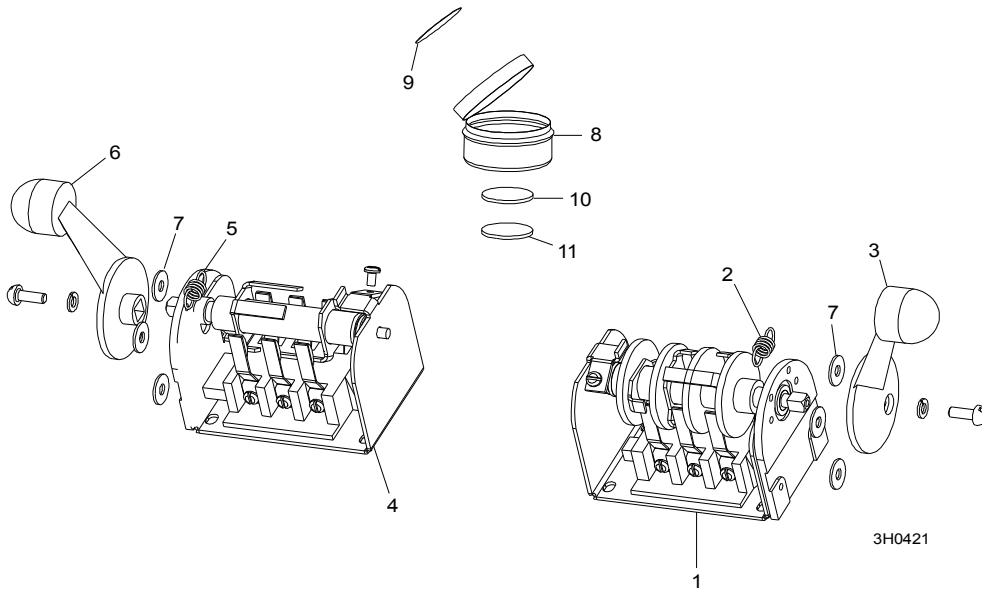
| REF | DESCRIPTION (◆ Indicates Parts Available In Assemblies Only) | PART # | QTY. |
|-----|--|-----------------------|------|
| | CONTROL BOX ASSEMBLY, LT40 DC | 098375 | 1 |
| 1 | Control Box, LT40 | 098373-1 | 1 |
| | Panel, LT40 DC Front Control Complete | 098691 | 1 |
| 2 | Panel, LT20/40 DC Front Control | 100573-1 | 1 |
| | Panel, LT40 DC Front Control | 098376-1 ¹ | 1 |
| 3 | Decal, LT40 DC Control Box Left | 099595 | 1 |

| | | | | |
|----|--|-----------|----|---|
| 4 | Decal, LT40 DC Control Box Right | 099596 | 1 | |
| 5 | Gasket, LT20/40 Control Box | 097132 | 1 | |
| 6 | Switch, Key | P04350 | 1 | |
| 7 | Knob, Speed Control | P06257 | 1 | |
| 8 | Potentiometer, 1k Feed Rate | E20519 | 1 | |
| 9 | Meter, Hour | 093166 | 1 | |
| 10 | Light, XB6AV4BB Red | 091099 | 2 | |
| 11 | Light, XB6AV3BB Green | 087348 | 1 | |
| 12 | Light, XB6AV5BB Yellow | 089812 | 1 | |
| 13 | Switch, Toggle | 024200 | 4 | |
| 14 | Switch, SPST On/Off 15A .25 TABS Toggle | P03027 | 2 | |
| 15 | Washer, 1/2x3/4x1/16 Nylon | P05251-1 | 6 | |
| 16 | Boot, Toggle Switch | P02575 | 6 | |
| 17 | Bolt, M3x12-8.8 Zinc | F81000-12 | 2 | |
| 18 | Nut, M3-6 Nylon Zinc Lock | F81028-2 | 2 | |
| 19 | Gasket, Hour Meter | 093346 | 1 | |
| 20 | Controller, SW-10 Setworks | 500628 | 1 | |
| 21 | Spacer, 4.2x6mm Idler | R80671-4 | 6 | |
| 22 | Washer, 3.2 Flat Zinc | F81050-2 | 6 | |
| 23 | Screw, M3x8-4.8 Zinc | F81000-83 | 6 | |
| 24 | Switch, 1992GS Pwr/Feed (Service Package) | E20438 | 1 | |
| 25 | Switch, 1992 Up/Down (Service Package) | E20440 | 1 | |
| 26 | Cover Weldment, LT20/40 Complete | 097135-1 | 1 | |
| 27 | Bolt, #10-24x1/2 Ph Pan Hd, Type 23 | F05015-17 | 14 | |
| | Solenoid Assembly, DC Up/Down | 086747 | 1 | |
| | Solenoid Assembly, DC Power Feed | 086749 | 1 | |
| | Cover, Control Box Side Complete | 086700 | 1 | |
| 28 | Cover, Control Box Side | 086699-1 | 1 | |
| 29 | Gasket, Control Box Side | 015274 | 1 | |
| 30 | Solenoid, 200A 12V DPST | 015417 | 2 | |
| 31 | BOLT, M6x16 8.8 Fe/Zn5 PN-M/82105 | F81001-15 | 3 | |
| 32 | Washer, M6 Flat Zinc | F81053-1 | 6 | |
| 33 | Nut, M6, Hex, Nylon Lock Zinc | F81031-2 | 3 | |
| 34 | Bolt, #10-24x1/2 Ph Pan Hd, Type 23 | F05015-17 | 12 | |
| | Panel Assy, Power Feed Control SMT 97+ | 024412 | 1 | |
| 35 | Gasket, Power Feed Control | 015278 | 1 | |
| 36 | Switch, XB2 BS542 Emergency | 086556 | 1 | |
| | Breaker Assembly, Sawmill Control Circuit | 086746 | 1 | |
| 37 | Rail, Circuit Breaker | 015310 | 1 | ◆ |
| 38 | Breaker, 15A Manual Reset | E20430 | 5 | ◆ |
| 39 | Screw, H M5x10 8.8 Zinc | F81000-13 | 9 | |
| 40 | Nut, M5-8 Zinc | F81030-2 | 9 | |
| 41 | Bolt, M10x20-5.8 Hex Head Full Thread Zinc | F81003-1 | 2 | |
| 42 | Washer, 10.5 Flat Zinc | F81055-1 | 4 | |
| 43 | Nut, M10 Nylon Hex Zinc Lock | F81033-1 | 2 | |
| 44 | Bolt, M5x16-8.8 Zinc | F81000-20 | 2 | |
| 45 | Washer, 5.3 Flat Zinc | F81052-1 | 4 | |
| 46 | Nut, M5-8 Zinc | F81030-2 | 2 | |

| | | | | |
|----|---------------------------------------|--------|---|--|
| 47 | Breaker, 70A Manual Reset Panel Mount | 015527 | 1 | |
| 48 | Breaker, 50A Manual Reset Panel Mount | 021256 | 1 | |
| 49 | Boot, Circuit Breaker | 021253 | 2 | |
| 50 | Grommet, Rubber | 087065 | 1 | |
| 51 | Cap, SR1086 22.2 Dia. Hole | 093544 | 1 | |

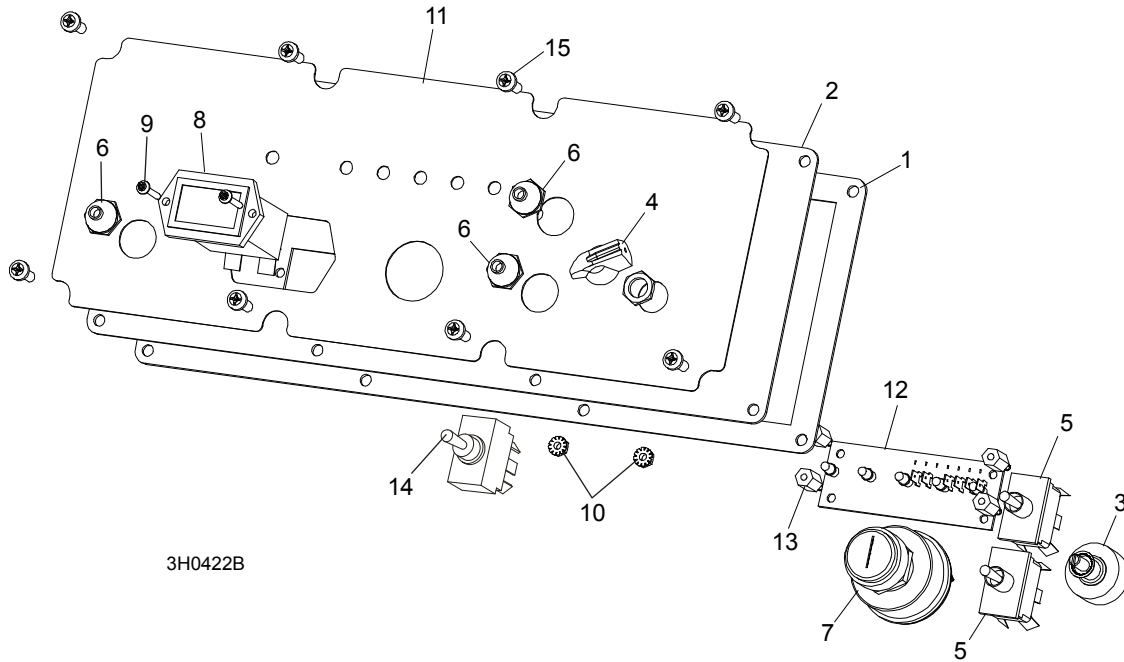
¹ Use in African version only.

5.3 Drum Switches



| REF. | DESCRIPTION (◆ Indicates Parts Available In Assemblies Only) | PART # | QTY | |
|------|--|-----------|--------|---|
| | SWITCH ASSEMBLY, UP/DOWN DRUM | E20440 | 1 | |
| 1 | Switch, S12 Bulk Drum | E20440-B | 1 | ◆ |
| 2 | Spring, Drum Switch | P12570 | 1 | |
| 3 | Handle, Drum Switch Replacement | P12500 | 1 | |
| | SWITCH ASSEMBLY, POWER FEED DRUM | E20438 | 1 | |
| 4 | Switch, S10 Bulk Drum | E20438-B | 1 | ◆ |
| 5 | Spring, Drum Switch | P12570 | 1 | |
| 6 | Handle, Drum Switch Replacement | P12500 | 1 | |
| 7 | WASHER, #8 SAE FLAT | F05011-41 | 6 | |
| | CUP ASSEMBLY, DRUM SWITCH GREASE | A20463 | 1 | |
| 8 | Cup, Plastic Container | P20464 | 1 | ◆ |
| 9 | Decal, Grease Cup Label | P20467 | 1 | |
| 10 | Pad, Velcro Loop | P20466 | 1 | ◆ |
| 11 | Pad, Velcro Hook | P20465 | 1 | ◆ |
| | Grease, High Temp Drum Switch | P20468 | .011ml | ◆ |

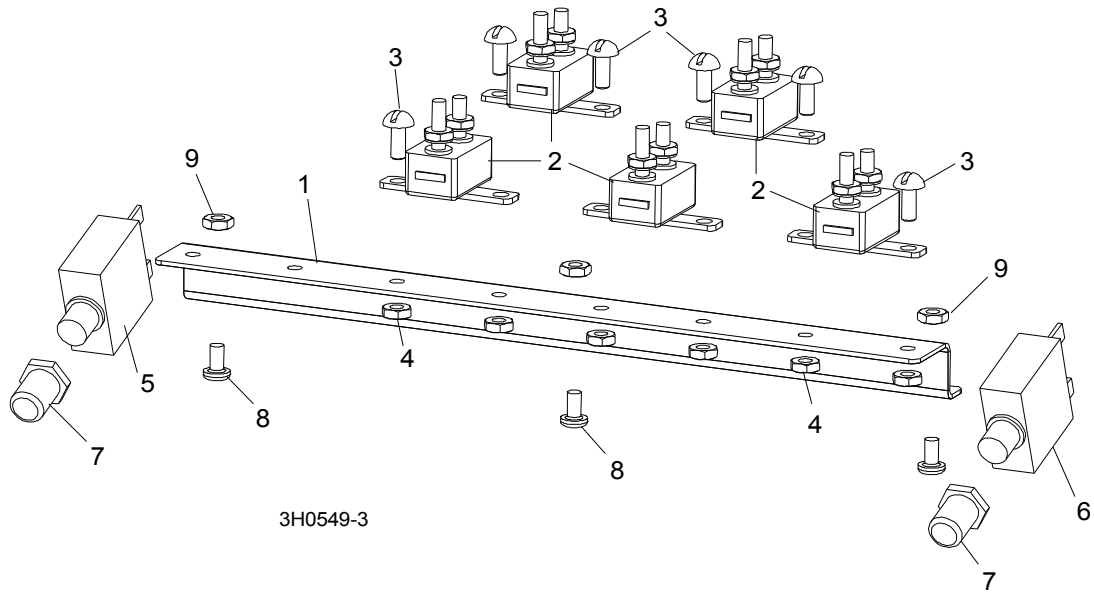
5.4 Front Panel Assembly & Harnesses



3H0422B

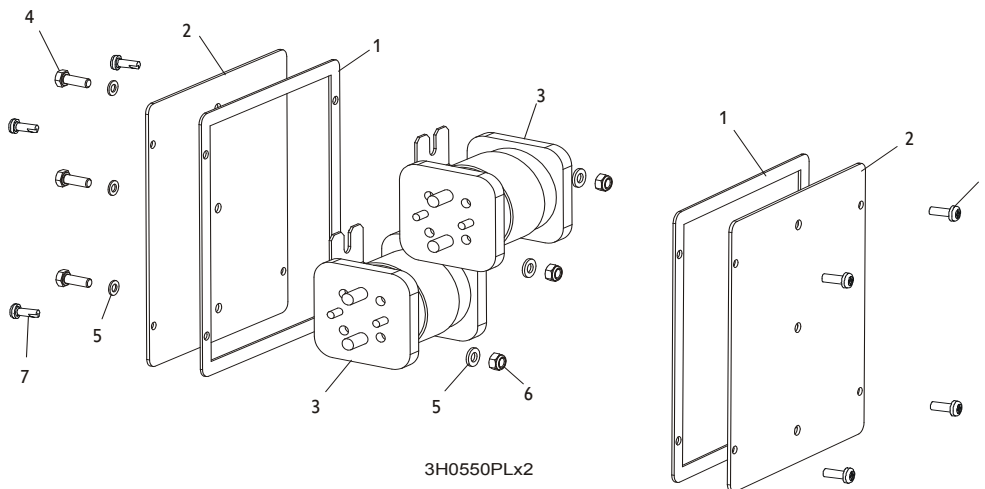
| REF | DESCRIPTION (◆ Indicates Parts Available In Assemblies Only) | PART # | QTY. |
|-----|--|-----------|------|
| | PANEL ASSEMBLY, CONTROL FRONT (D42) | 087401 | 1 |
| 1 | Gasket, Front Panel | 088387 | 1 |
| 2 | Panel Weldment, Control | 015302 | 1 |
| 3 | Switch Assembly, Feed Rate | E20519 | 1 |
| 4 | Knob, Feed Rate with Set Screw | P06257 | 1 |
| 5 | Switch, Toggle | 024200 | 2 |
| 6 | Boot, Toggle Switch Rubber | P02575 | 3 |
| 7 | Switch, Key | P04350 | 1 |
| 8 | Meter, Hour | 015401 | 1 |
| 9 | Screw, 6-42 x 3/4" Socket Button Head Cap Stainless Steel | F05004-93 | 2 |
| 10 | Nut, 6-23 Self-Locking | F05010-59 | 2 |
| 11 | Decal, Control Panel (E25) | 015271 | 1 |
| | Decal, Control Panel (D42) | 015269 | 1 |
| 12 | Board, LED Circuit (E25) | 015416 | 1 |
| | Board, LED Circuit (D42) | 015409 | 1 |
| 13 | Spacer, 1/2"-#6 Threaded | 023147 | 4 |
| 14 | Switch, DPDT On/Off/On 15A Toggle | 024588 | 1 |
| 15 | Screw, #10-24 x 1/2" Pan Head | F05015-17 | 8 |
| | HARNESS ASSEMBLY, UPPER WIRING (E25) | 024843 | 1 |
| | HARNESS ASSEMBLY, UPPER WIRING (D42) | 087107 | 1 |
| | HARNESS ASSEMBLY, LOWER WIRING (D42) | 087106 | 1 |
| | HARNESS ASSEMBLY, LOWER WIRING (E25) | 015421 | 1 |

5.5 Circuit Breakers



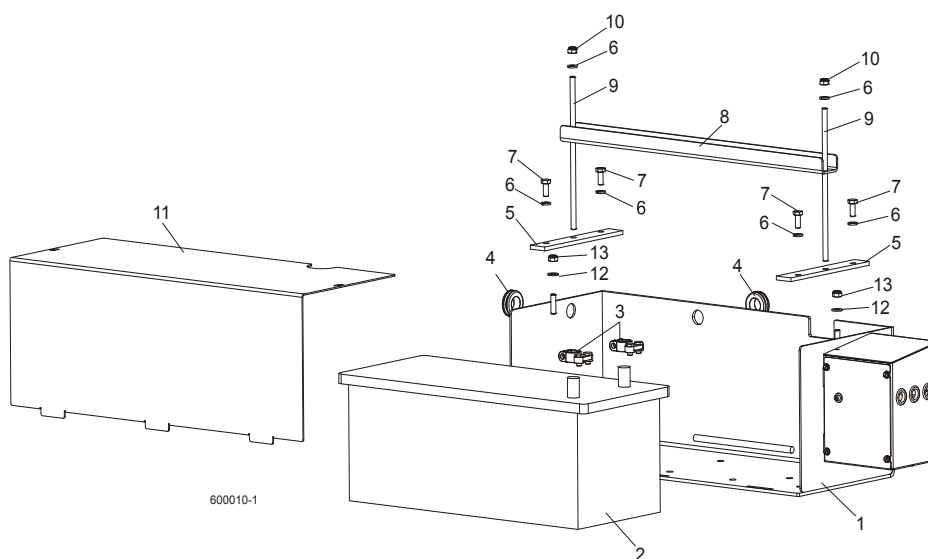
| REF. | DESCRIPTION (◆ Indicates Parts Available In Assemblies Only) | PART # | QTY |
|------|--|-----------|-----|
| | BREAKER ASSEMBLY, SAWMILL CONTROL CIRCUIT | 015621 | 1 |
| 1 | Rail, Circuit Breaker | 015310 | 1 |
| 2 | Breaker, 15 Amp Manual Reset | E20430 | 5 |
| 3 | Screw, #8-32 X 1/2" Slotted Head | F05004-12 | 6 |
| 4 | Nut, #8-32 Hex Self-Locking | F05010-41 | 6 |
| 5 | BREAKER, 70 AMP MANUAL RESET PANEL MOUNT | 015527 | 1 |
| 6 | BREAKER, 50 AMP MANUAL RESET PANEL MOUNT | 021256 | 1 |
| 7 | BOOT, CIRCUIT BREAKER | 021253 | 2 |
| 8 | SCREW, #10-24 X 3/8" PHILLIPS PAN HEAD | F05004-3 | 3 |
| 9 | NUT, #10-24 SELF-LOCKING | F05010-14 | 3 |

5.6 Solenoids



| REF. | DESCRIPTION (◆ Indicates Parts Available In Assemblies Only) | PART # | QTY |
|------|--|-----------|-----|
| 1 | GASKET, SIDE PANEL | 015274 | 2 |
| 2 | PANEL WELDMENT, SIDE | 015307 | 2 |
| 3 | SOLENOID, 200A 12V SPST HYDRAULIC PUMP | 015470 | 2 |
| 4 | BOLT, M6 X 16 8.8 HEX HEAD FULL THREAD ZINC | F81001-15 | 3 |
| 5 | WASHER, 6.4 FLAT ZINC | F81053-1 | 6 |
| 6 | NUT, M6-8-B HEX NYLON ZINC LOCK | F81031-2 | 3 |
| | DIODE ASSEMBLY, SOLENOID COIL CHASSIS GND | 087496 | 4 |
| 7 | BOLT, #10-24 X 1/2 PHILLIPS PAN HEAD TYPE 23 | F05015-17 | 8 |

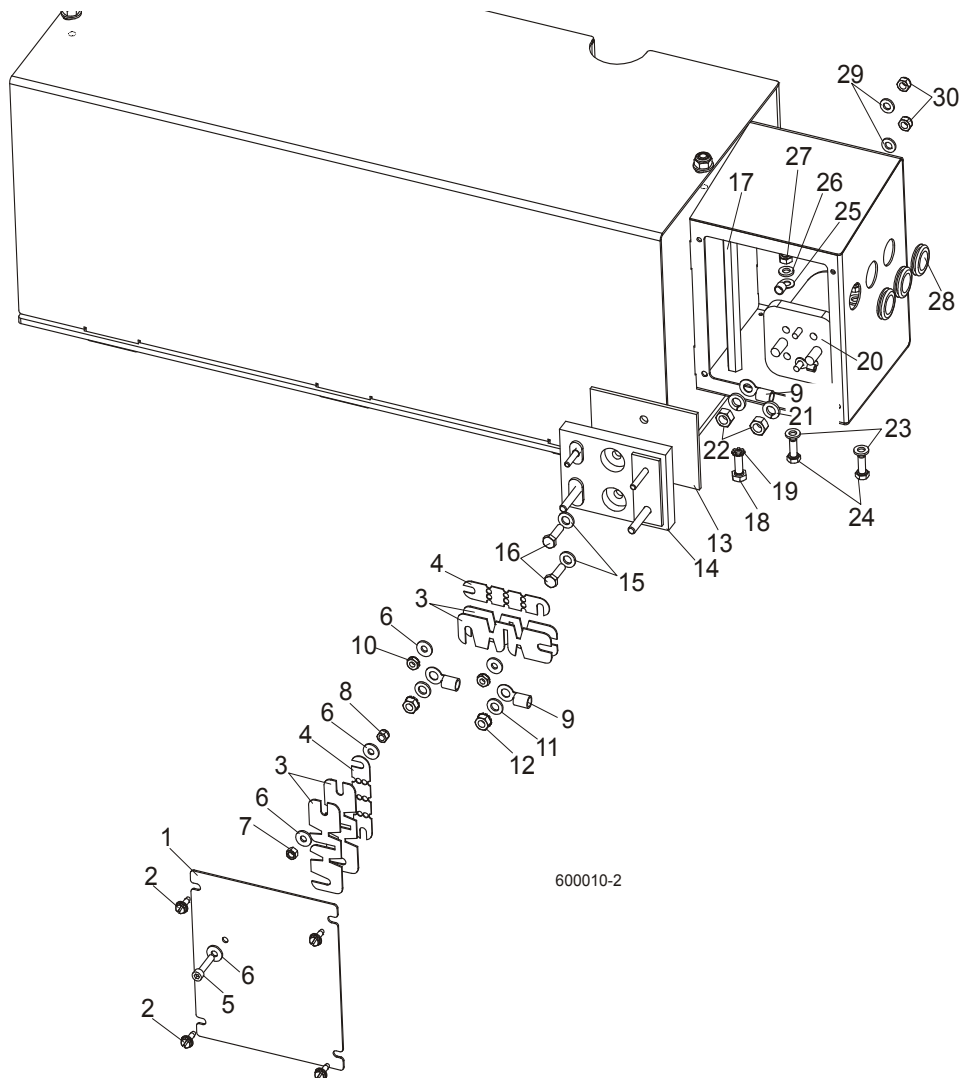
5.7 Battery Box Assembly (Sawmills w/D42 Engine Only)



| REF | DESCRIPTION (◆ Indicates Parts Available In Assemblies Only) | PART # | QTY. |
|-----|--|----------|------|
| | BATTERY BOX - COMPLETE | 089794 | 1 |
| 1 | Box Weldment, Battery Painted | 088677-1 | 1 |

| | | | | |
|----|---|----------|---|--|
| 2 | Battery, 12V 180Ah "BANNER" | 089369 | 1 | |
| 3 | Terminal, Battery | P05085 | 2 | |
| 4 | Grommet, 22mm Dia. Rubber | 087400 | 2 | |
| 5 | Bar, Battery Retainer Painted | 088538-1 | 2 | |
| 6 | Washer, 8.2 Split Lock Zinc | F81054-4 | 6 | |
| 7 | Bolt, M8x20-5.8 Hex Head Full Thread Zinc | F81002-1 | 4 | |
| 8 | Bracket, Battery Hold-Down Painted | 088357-1 | 1 | |
| 9 | Bolt, Battery Hold-Down Painted | 088356-1 | 2 | |
| 10 | Nut, M8-8-B Hex Nylon Zinc Lock | F81032-2 | 2 | |
| 11 | COVER, BATTERY BOX PAINTED | 088362-1 | 1 | |
| 12 | WASHER, 8.4 FLAT ZINC | F81054-1 | 2 | |
| 13 | NUT, M8-8-B HEX NYLON ZINC LOCK | F81032-2 | 2 | |

5.8 Fuse Box Assembly (Sawmills w/D42 Engine Only)



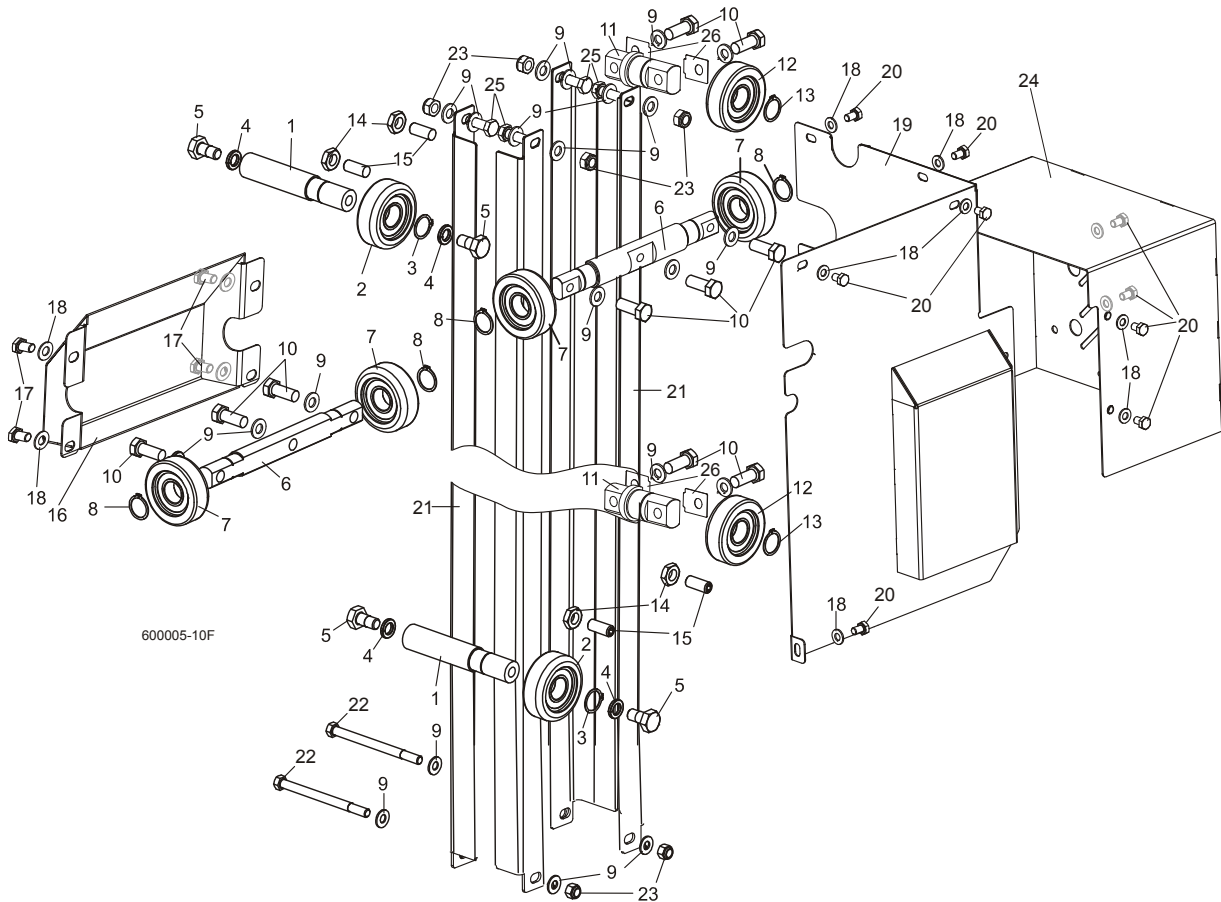
| REF | DESCRIPTION (◆ Indicates Parts Available In Assemblies Only) | PART # | QTY. | |
|-----|--|----------|------|--|
| 1 | COVER, FUSE BOX PAINTED | 086272-1 | 1 | |
| 2 | SCREW, #10-24x1/2 SELF-TAPPING | F05015-7 | 4 | |
| 3 | FUSE, 12V 225 AMP | P11550 | 4 | |

Control & Battery Boxes**Fuse Box Assembly (Sawmills w/D42 Engine Only)**

| | | | | |
|----|---|-----------|---|--|
| 4 | FUSE LINK, 12V 150 AMP | 023361 | 2 | |
| 5 | SCREW, M5x25-8.8 HEX SOCKET HEAD CAP ZINC | F81000-7 | 1 | |
| 6 | WASHER, 5.5 SPECIAL FLAT ZINC | F81052-3 | 5 | |
| 7 | NUT, M5-8 HEX ZINC | F81030-1 | 1 | |
| 8 | NUT, M5-8 DIN 985 ZINC-PLATED | F81030-2 | 1 | |
| 9 | TERMINAL, KO35/8 RING | F81066-3 | 3 | |
| 10 | NUT, #10-20 SELF-LOCKING ZINC-PLATED | F05010-14 | 2 | |
| 11 | WASHER, 7.4 FLAT ZINC | F81056-11 | 2 | |
| 12 | NUT, 1/4-20 SELF-LOCKING ZINC-PLATED | F05010-9 | 2 | |
| 13 | PLATE, 1/8" PLASTIC (FUSE BOX) | 015287 | 1 | |
| 14 | BLOCK ASSEMBLY, SUPER FUSE | 015288 | 1 | |
| 15 | WASHER, 7.4 FLAT ZINC | F81056-11 | 2 | |
| 16 | BOLT, M6X20-8.8 HEX HEAD FULL THREAD ZINC | F81001-2 | 2 | |
| 17 | NUT, FUSE STUD EXTENDED | 015517 | 1 | |
| 18 | BOLT, 1/4-20 X 3/4" HEX HEAD FULL THREAD ZINC | F05005-1 | 1 | |
| 19 | WASHER, 6.4 EXTERIOR STAR ZINC LOCK | F81053-2 | 1 | |
| 20 | SOLENOID, 200A 12V SPST CONTINUOUS DUTY | 015470 | 1 | |
| 21 | WASHER, 8.2 SPLIT LOCK ZINC | F81054-4 | 2 | |
| 22 | NUT, 5/16-24 HEX ZINC | F05010-28 | 2 | |
| 23 | WASHER, 6.4 FLAT ZINC | F81053-1 | 2 | |
| 24 | BOLT, M6X16 8.8 HEX HEAD FULL THREAD ZINC | F81001-15 | 2 | |
| 25 | TERMINAL, KO1/8 RING | F05092-7 | 1 | |
| 26 | WASHER, 6.4 FLAT ZINC | F81053-1 | 2 | |
| 27 | NUT, M6-8-B HEX NYLON ZINC LOCK | F81031-2 | 2 | |
| 28 | GROMMET, 5/8" ID RUBBER | P11764 | 3 | |
| 29 | WASHER, 6.4 FLAT ZINC | F81053-1 | 2 | |
| 30 | NUT, M6-8-B HEX NYLON ZINC LOCK | F81031-2 | 2 | |

SECTION 6 UP/DOWN SYSTEM

6.1 Up/Down Rollers & Covers



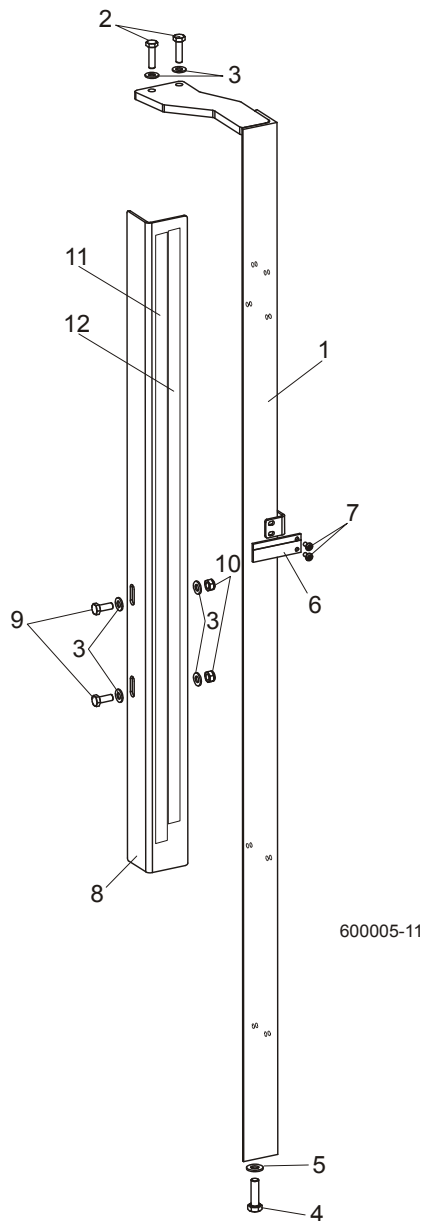
| REF. | DESCRIPTION (◆ Indicates Parts Available In Assemblies Only) | PART # | QTY |
|------|--|-----------|-----|
| | ROLLER ASSEMBLY, INSIDE UP/DOWN | 089456 | 2 |
| 1 | Shaft, Inside Up/Down Roller | 088817-1 | 1 |
| 2 | Bearing, CBK-468 Rolling | 088433 | 1 |
| 3 | Ring, Z30 Spring Retaining | F81090-23 | 1 |
| 4 | Washer, 13 Zinc Flat | F81056-1 | 2 |
| 5 | Bolt, M12x25-8.8 Hex Head Full Thread Zinc | F81004-31 | 2 |
| | ROLLER ASSEMBLY, OUTSIDE UP/DOWN | 089454 | 2 |
| 6 | Shaft, Long Up/Down Roller | 088815-1 | 1 |
| 7 | Bearing, CBK-468 Rolling | 088433 | 2 |
| 8 | Ring, Z30 Spring Retaining | F81090-23 | 2 |
| 9 | Washer, 10.5 Zinc Flat | F81055-1 | 22 |
| 10 | Bolt, M10x35-8.8 Hex Head Full Thread Zinc | F81003-17 | 10 |
| | ROLLER ASSEMBLY, SHORT UP/DOWN | 089455 | 2 |
| 11 | Shaft, Short Up/Down Roller | 088816-1 | 1 |
| 12 | Bearing, CBK-468 Rolling | 088433 | 1 |
| 13 | Ring, Z30 Spring Retaining | F81090-23 | 1 |
| 14 | NUT, M10-04-W HEX ZINC THIN | F81033-6 | 4 |
| 15 | SCREW, GN 913.3-M10-40-MS SET | F81003-65 | 4 |
| 16 | COVER WELDMENT, UP/DOWN ROLLER | 507056-1 | 1 |

6 Up/Down System

Blade Height Scale

| | | | | |
|----|---|-----------|----|--|
| 17 | BOLT, M8X16-8.8-B HEX HEAD FULL THREAD ZINC | F81002-20 | 4 | |
| 18 | WASHER, 8.4 ZINC FLAT | F81054-1 | 13 | |
| 19 | GUARD WELDMENT, RA-08 UP/DOWN GEAR BOX SIDE PTD | 091319-1 | 1 | |
| 20 | BOLT, M8X12-8.8 HEX HEAD FULL THREAD ZINC | F81002-6 | 9 | |
| 21 | ANGLE, MAST TUBE STAINLESS | 088492 | 4 | |
| 22 | BOLT, M10X125-8.8 HEX HEAD ZINC | F81003-18 | 2 | |
| 23 | NUT, M10-8-B HEX NYLON ZINC LOCK | F81033-1 | 6 | |
| 24 | GUARD, UP/DOWN MOTOR PAINTED | 090501-1 | 1 | |
| 25 | BOLT, M10X30-5.8 HEX HEAD FULL THREAD | F81003-2 | 4 | |
| 26 | SPACER, ROLLER ASSEMBLY, SHORT UP/DOWN | 510616 | - | |

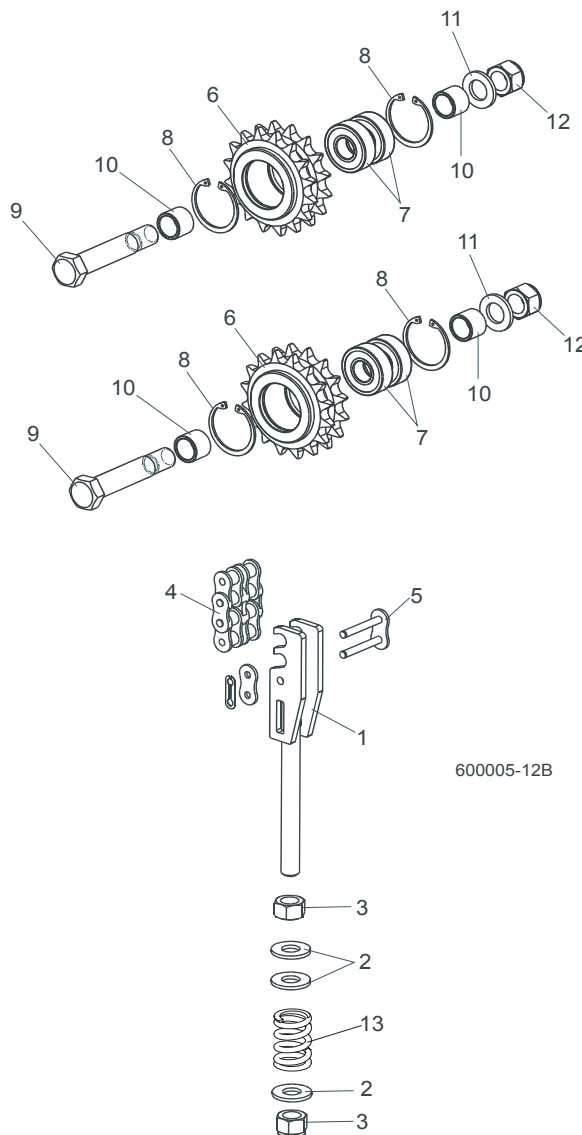
6.2 Blade Height Scale



| REF. | DESCRIPTION (◆ Indicates Parts Available In Assemblies Only) | PART # | QTY | |
|------|--|----------|-----|--|
| 1 | MOUNT WELDMENT, SCALE PAINTED | 088554-1 | 1 | |

| | | | | |
|----|---|-----------|---|--|
| 2 | BOLT, M8 x 30-8.8-B HEX HEAD FULL THREAD ZINC | F81002-7 | 2 | |
| 3 | WASHER, 8.4 ZINC FLAT | F81054-1 | 6 | |
| 4 | BOLT, M10 x 35-8.8 HEX HEAD FULL THREAD ZINC | F81003-17 | 1 | |
| 5 | WASHER, 10.5 ZINC FLAT | F81055-1 | 1 | |
| 6 | INDICATOR, BLADE HEIGHT SCALE | 094821 | 1 | |
| 7 | SCREW, #10-24 X 3/8 PHILLIPS PAN HEAD ZINC | F05004-3 | 2 | |
| 8 | ANGLE, SCALE MOUNT | 088785-1 | 1 | |
| 9 | BOLT, M8 X 20-8.8-B HEX HEAD FULL THREAD ZINC | F81002-4 | 2 | |
| 10 | NUT, M8-8-B HEX NYLON ZINC LOCK | F81032-2 | 2 | |
| 11 | DECAL, METRIC SCALE | S11711 | 1 | |
| 12 | DECAL, 16-40 MM METRIC SCALE | P12040-1 | 1 | |

6.3 Up/Down Chain & Sprockets



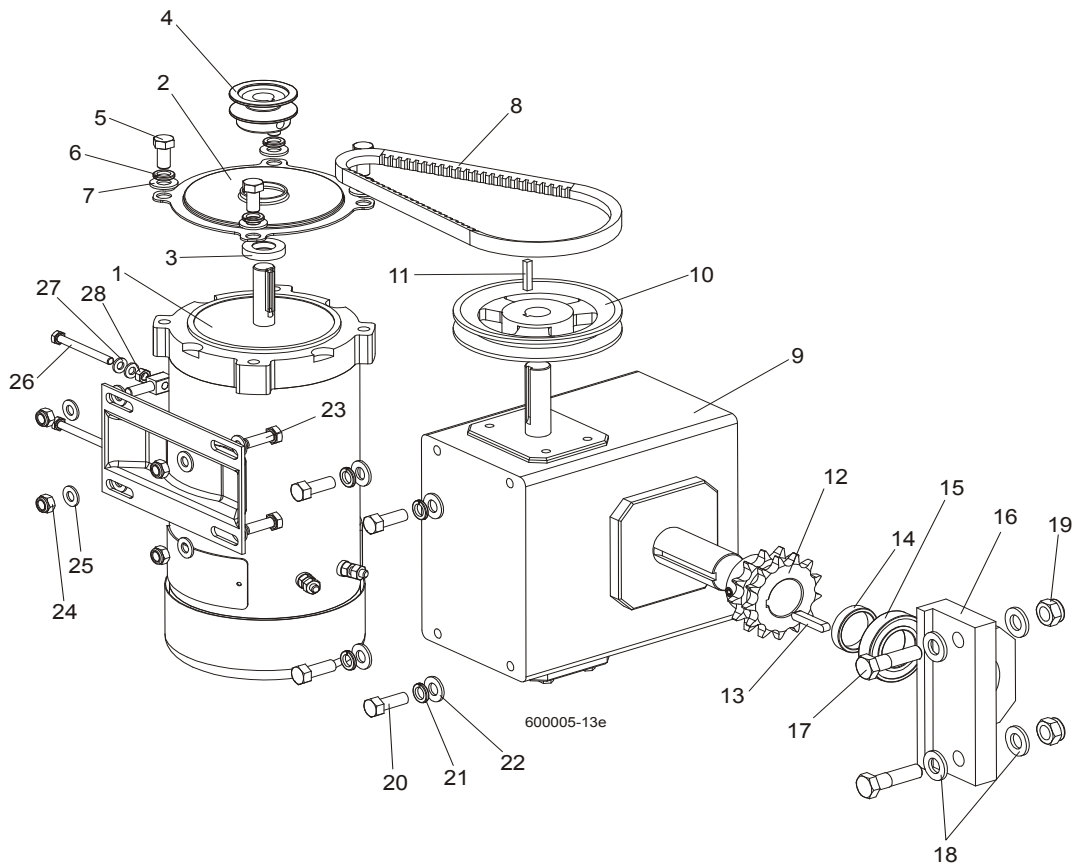
| REF. | DESCRIPTION (◆ Indicates Parts Available In Assemblies Only) | PART # | QTY | |
|------|--|----------|-----|--|
| 1 | TENSIONER WELDMENT, UP/DOWN CHAIN ZINC | 512181-1 | 1 | |
| 2 | WASHER, 13 ZINC FLAT | F81056-1 | 3 | |
| 3 | NUT, M12-8 HEX NYLON ZINC LOCK | F81034-2 | 2 | |

6 Up/Down System

Up/Down Drive Assembly

| | | | |
|----|---|---------------|----------|
| 4 | CHAIN, 12B-2 97-LINK | 512197 | 1 |
| 5 | LINK, 12B-2Pz MASTER | 099249 | 1 |
| | SPROCKET ASSEMBLY, UP/DOWN IDLER | 512180 | 2 |
| 6 | Sprocket, Zinc-plated | 512179-1 | 1 |
| 7 | Bearing, 6203-2RS FLT Rolling | 086114 | 2 |
| 8 | Ring, W40 Spring Retaining | F81090-3 | 2 |
| 9 | Bolt, M16D1F6 x 90-8.8 Hex Fit Short Thread Zinc | F81006-15 | 1 |
| 10 | Spacer, Idler Zinc | 088792-1 | 2 |
| 11 | Washer, 17 Zinc Flat | F81058-1 | 1 |
| 12 | Nut, M16-8 Hex Nylon Zinc Lock | F81036-2 | 1 |
| 13 | Spring, 14x30x3.2 | 090797 | 1 |

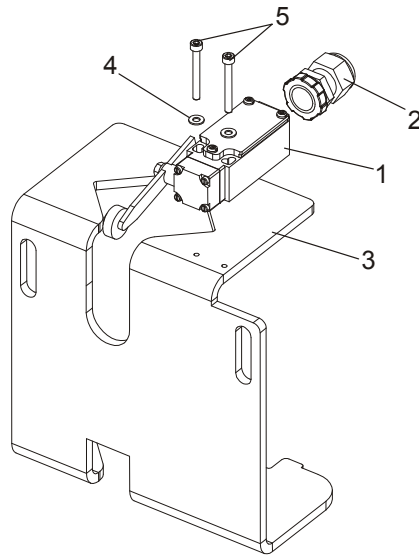
6.4 Up/Down Drive Assembly



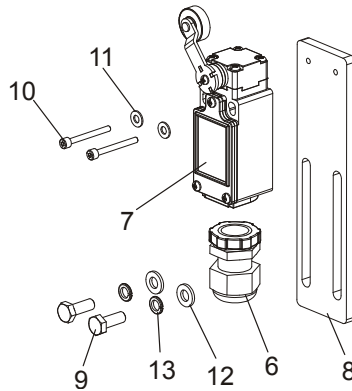
| REF | DESCRIPTION (◆ Indicates Parts Available In Assemblies Only) | PART # | QTY. |
|-----|--|-----------|------|
| | UP/DOWN DRIVE ASSEMBLY, COMPLETE | 092812 | 1 |
| | Motor W/Mount Bracket, DC Up/Down | 092810 | 1 |
| 1 | Motor, 3/4HP 12VDC | 015174 | 1 |
| 2 | Cover, Up/Down Motor | 034475 | 1 |
| 3 | Seal, CR6315 | 034501 | 1 |
| 4 | Pulley, AK20 x 5/8" Bore | 036179 | 1 |
| 5 | Bolt, 3/8-16 x 3/4" Hex Head | F05007-27 | 4 |
| 6 | Washer, 10.2 Split Zinc Lock | F81055-2 | 4 |
| 7 | Washer, 10.5 Zinc Flat | F81055-1 | 4 |

| | | | | |
|----|---|-----------|---|--|
| 8 | V-Belt AVX13x600La (Conti) | 092813 | 1 | |
| | Gear Box, Complete, Up/Down Drive | 092807 | 1 | |
| 9 | Gear Box, B226-60-2-1L | 034908 | 1 | |
| 10 | Pulley, AK51 x 3/4" Bore | 015256 | 1 | |
| 11 | Key, 3/16" Square x 1" Long | S31027 | 1 | |
| 12 | Sprocket, PTD | 512580-1 | 1 | |
| 13 | Key, A 1/4"x1/4"x1,5" | 092814 | 1 | |
| 14 | Spacer, Zinc-Plated | 092811-1 | 1 | |
| 15 | Bearing, R20-2RS | 036007 | 1 | |
| 16 | Housing, Bearing R20-2RS | 092809-1 | 1 | |
| 17 | Bolt M12x45-8.8-Fe/Zn5 | F81004-32 | 2 | |
| 18 | Washer, 13 SAE Flat | F81056-1 | 4 | |
| 19 | Nut, M12-8 Hex Nylon Lock | F81034-2 | 2 | |
| 20 | Bolt, 3/8-16 x 1" Hex Head | F05007-7 | 4 | |
| 21 | Washer, 10.2 Split Zinc Lock | F81055-2 | 4 | |
| 22 | Washer, 10.5 Zinc Flat | F81055-1 | 4 | |
| 23 | Bolt, M8x25-8.8-B Hex Head Full Thread Zinc | F81002-5 | 2 | |
| 24 | Nut, M8-8-B Hex Nylon Zinc Lock | F81032-2 | 4 | |
| 25 | Washer, 8.4 Flat | F81054-1 | 8 | |
| 26 | Bolt, M6x60-8.8 Hex Head Full Thread Zinc | F81001-9 | 2 | |
| 27 | Washer 6.4 Zinc Flat | F81053-1 | 4 | |
| 28 | Nut, M6-8 Hex Zinc | F81031-1 | 2 | |

6.5 Safety Switches



600045B



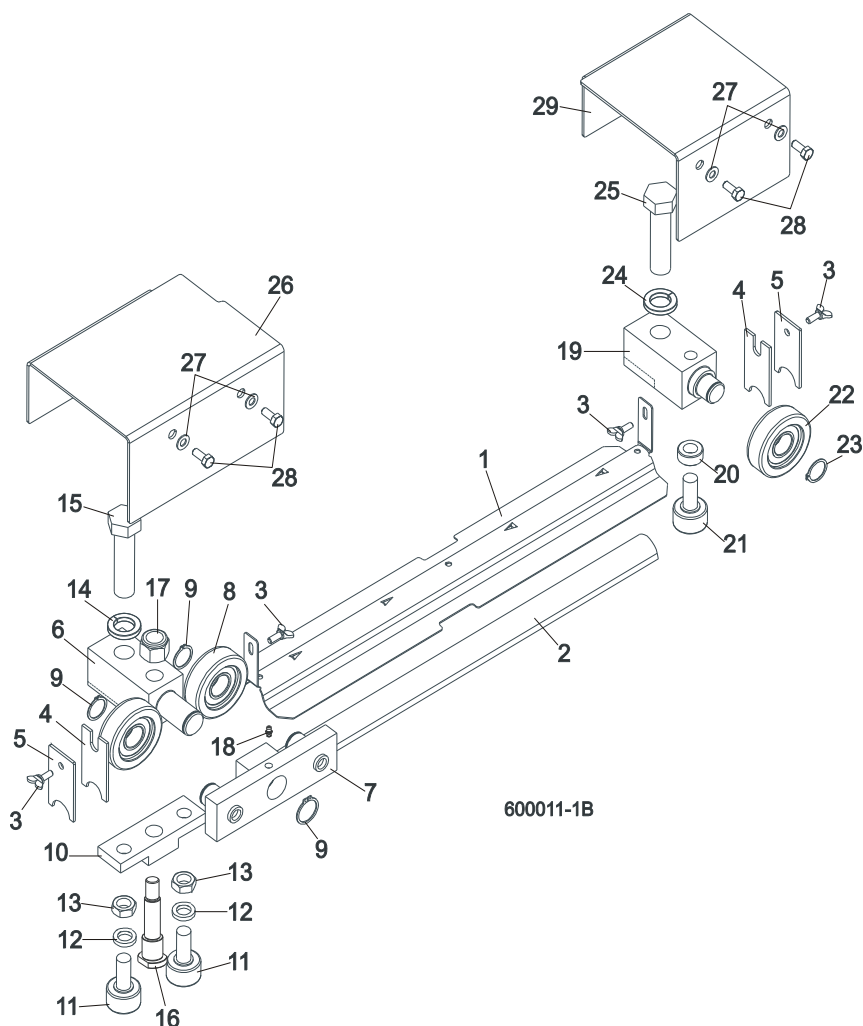
| REF. | DESCRIPTION (◆ Indicates Parts Available In Assemblies Only) | PART # | QTY |
|------|--|-----------------------|-----|
| 1 | SWITCH, GLCB01A2B SAFETY | 086469 | 2 |
| 2 | GLAND, ST PG 13.5 GREY CABLE | 086524 | 2 |
| 3 | SUPPORT, POWER CORD BRACKET | 090460-1 ¹ | 1 |
| 4 | WASHER, 4.3 FLAT ZINC | F81051-2 | 4 |
| 5 | SCREW, M4x35-8.8 HEX SOCKET HEAD CAP ZINC | F81011-34 | 4 |
| | SWITCH ASSEMBLY, LT70 SAFETY LOWER | 505711 | 1 |
| 6 | GLAND, ST PG 13.5 GREY CABLE | 086524 | 1 |
| 7 | SWITCH, FA138 Z11LIMIT | 100931 | 1 |
| 8 | BAR, LIMIT SWITCH MOUNT | 505125-1 | 1 |
| 9 | BOLT, M6 x 16 8.8 HEX HEAD FULL THREAD ZINC | F81001-15 | 2 |
| 10 | SCREW, M3X30 8.8 HEX SOCKET HEAD CAP ZINC | F81011-38 | 2 |
| 11 | WASHER 4.3 FLAT ZINC | F81051-2 | 2 |
| 12 | WASHER, 6.4 FLAT ZINC | F81053-1 | 2 |

| | | | | |
|----|------------------------------|----------|---|--|
| 13 | WASHER, Z6.1 SPLIT LOCK ZINC | F81053-3 | 2 | |
|----|------------------------------|----------|---|--|

¹ LT70DC version only

SECTION 7 FEED SYSTEM & TRACK ROLLERS

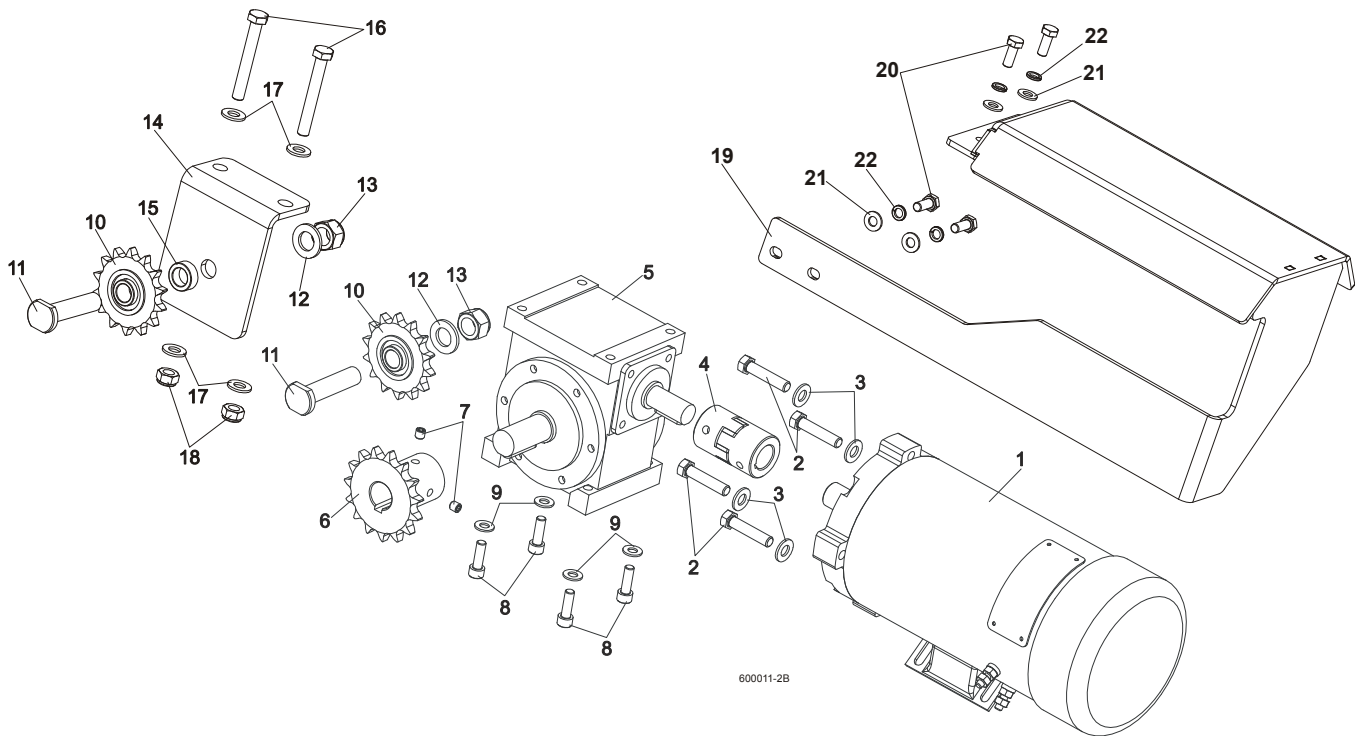
7.1 Upper Track Rollers And Wipers



| REF. | DESCRIPTION (◆ Indicates Parts Available In Assemblies Only) | PART # | QTY |
|------|--|-----------|-----|
| 1 | COVER, LT40/70 MIDDLE TRACK - SERVICE | 092868-S | 1 |
| | Cover, LT40/70 Middle Track | 092868-1 | 1 |
| 2 | Strip, 3/16 X 2 X 23 Felt | S09915 | 1 |
| 3 | SCREW, M6X20 DIN 316 WING | F81001-58 | 4 |
| 4 | WIPER, TOP RAIL | M04113 | 2 |
| 5 | PLATE, TRACK WIPER | 088559-1 | 2 |
| | ROLLER ASSEMBLY, UPPER TANDEM TRACK | 088530 | 1 |
| 6 | Block, Tandem Roller Mount | 088532 | 1 |
| 7 | Block Assembly, Tandem Roller | 088535 | 1 |
| 8 | Bearing, CBK-468 Rolling | 088433 | 2 |
| 9 | Ring, Z30 Spring Retaining | F81090-23 | 2 |
| 10 | Block, Cam Follower Mount | 088520 | 1 |
| 11 | Bearing, Cam Follower (McGill) | 012797 | 2 |
| 12 | Washer, 16.3 Split Zinc Lock | F81058-2 | 2 |
| 13 | Nut, 5/8"-18 Zinc | F05010-11 | 2 |

| | | | | |
|----|--|-----------|---|--|
| 14 | Washer, Z24.5 Split Zinc Lock | F81061-4 | 1 | |
| 15 | Bolt, M24 x 2 x 90-8.8 Hex Head Full Thread Zinc | F81009-2 | 1 | |
| 16 | Pin, Cam Follower Mount | 088531 | 1 | |
| 17 | Nut, M16-8 Hex Nylon Zinc Lock | F81036-2 | 1 | |
| 18 | Fitting, M6 Straight Grease | 086280 | 1 | |
| | ROLLER ASSEMBLY, REAR UPPER TRACK | 088529 | 1 | |
| 19 | Block, Rear Upper Roller Mount | 088528 | 1 | |
| 20 | Spacer, Cam Follower | 088536 | 1 | |
| 21 | Bearing, Cam Follower (McGill) | 012797 | 1 | |
| 22 | Roller, CBK-468 | 088433 | 1 | |
| 23 | Ring, Z30 Spring Retaining | F81090-23 | 1 | |
| 24 | Washer, Z24.5 Split Zinc Lock | F81061-4 | 1 | |
| 25 | Bolt, M24x2x90-8.8 Hex Head Full Thread Zinc | F81009-2 | 1 | |
| 26 | COVER, TANDEM ROLLER | 088526-1 | 1 | |
| 27 | WASHER, 6.4 ZINC FLAT | F81053-1 | 4 | |
| 28 | BOLT, M6X16 8.8 HEX HEAD FULL THREAD ZINC | F81001-15 | 4 | |
| 29 | COVER, REAR UPPER ROLLER | 088527-1 | 1 | |

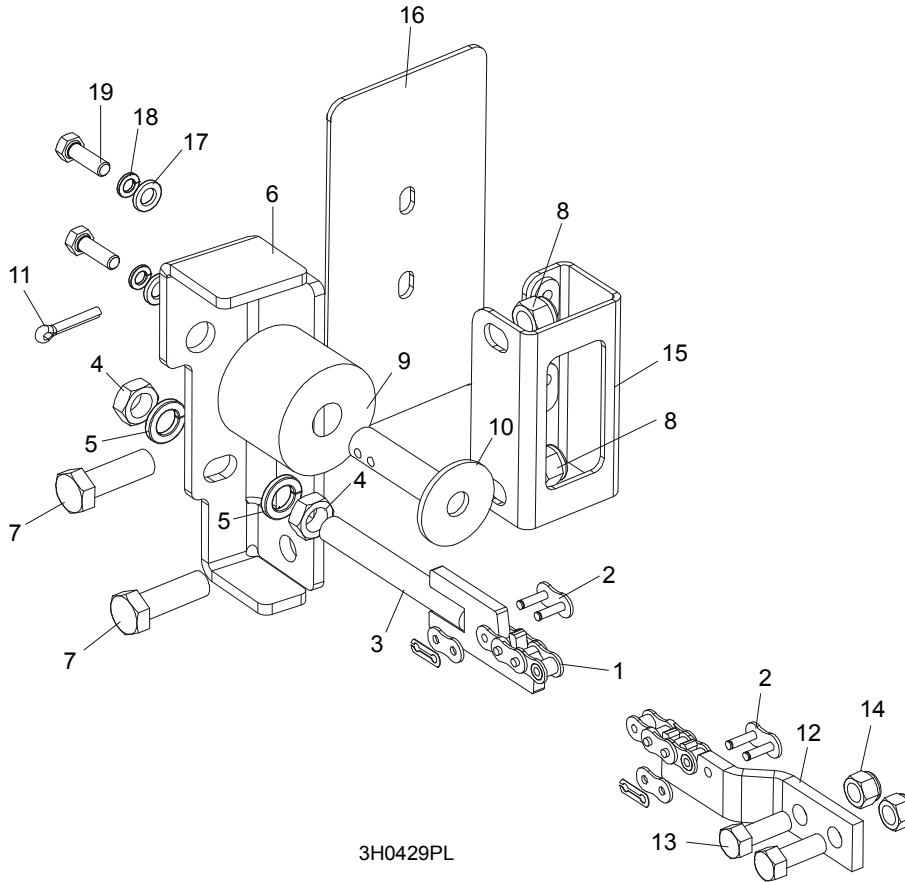
7.2 Power Feed Assembly



| REF | DESCRIPTION (◆ Indicates Parts Available In Assemblies Only) | PART # | QTY. | |
|-----|--|-----------|------|--|
| 1 | MOTOR, 12V, 0.75KM LEESON | 024169 | 1 | |
| 2 | BOLT, 3/8-16x1 3/4 HEX HEAD FULL THREAD | F05007-19 | 4 | |
| 3 | WASHER, 10.5 ZINC FLAT | F81055-1 | 4 | |
| 4 | COUPLING, SPIDEX 19/ 5/8" b/b ST 92Sh | 090786 | 1 | |
| 5 | GEAR BOX, RA-05/7,5/D1/S+N/B8 W/OUTPUT SHAFT | 100934 | 1 | |
| 6 | SPROCKET, 10B Z15 ZINC | 088541-1 | 1 | |

| | | | | |
|----|--|-----------|---|--|
| 7 | SCREW, M8x8-33H HEX SOCKET SET FLAT POINT ZINC | F81014-1 | 2 | |
| 8 | SCREW, M8x25 -8.8 HEX SOCKET HEAD CAP ZINC | F81002-21 | 4 | |
| 9 | WASHER, 8.4 ZINC FLAT | F81054-1 | 4 | |
| 10 | SPROCKET, KSR 16.L0.10.10.14.08 W/BEARING | 088867 | 2 | |
| 11 | PIN, ZINC SPROCKET MOUNT | 088994-1 | 2 | |
| 12 | WASHER, 17 ZINC FLAT | F81058-1 | 2 | |
| 13 | NUT, M16-8 HEX NYLON ZINC LOCK | F81036-2 | 2 | |
| 14 | BRACKET, POWER FEED SPROCKET MOUNT | 088507-1 | 1 | |
| 15 | SPACER, POWER FEED SPROCKET | 088550-1 | 1 | |
| 16 | BOLT, M10x75-8.8 HEX HEAD ZINC | F81003-15 | 2 | |
| 17 | WASHER, 10.5 ZINC FLAT | F81055-1 | 4 | |
| 18 | NUT, M10-8-B HEX NYLON ZINC LOCK | F81033-1 | 2 | |
| | GUARD, LT70DC POWER FEED MOTOR COMPLETE | 504655 | 1 | |
| 19 | GUARD, LT70DC POWER FEED MOTOR | 504656-1 | 1 | |
| 20 | BOLT, M10x25-8.8 HEX HEAD FULL THREAD ZINC | F81003-11 | 4 | |
| 21 | WASHER, 10.5 ZINC FLAT | F81055-1 | 4 | |
| 22 | WASHER,10.2 SPLIT LOCK ZINC | F81055-2 | 4 | |

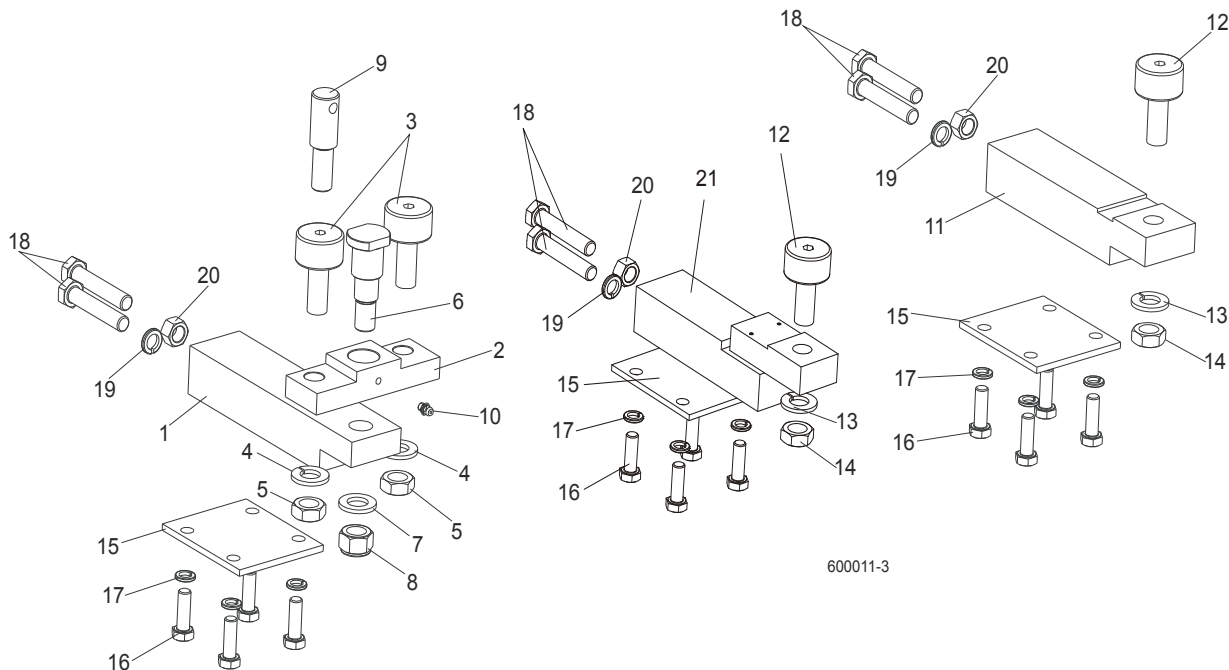
7.3 Feed Chain/Stop, LT70 S/M



3H0429PL

| REF | DESCRIPTION (◆ Indicates Parts Available In Assemblies Only) | PART # | QTY. |
|-----|--|-----------|------|
| 1 | CHAIN, 10B-1-375 (5.95M) LT70S FEED | 090427 | 1 |
| | CHAIN, 10B-1-457 (7.25M) LT70M FEED | 090370 | 1 |
| | CHAIN, 10B-1 (0,9M) | 506516 | 1 |
| 2 | LINK, 10B-1Pz MASTER | 088671 | 2 |
| 3 | TENSIONER WELDMENT, POWER FEED CHAIN ZINC-PLATED | 086818-1 | 1 |
| 4 | NUT, M12-5 HEX JAM | F81034-4 | 2 |
| 5 | WASHER, 12.2 SPLIT LOCK | F81056-2 | 2 |
| 6 | BRACKET, FEED CHAIN REAR MOUNT | 087628-1 | 1 |
| 7 | BOLT, M12x40-8.8 HEX HEAD FULL THREAD ZINC | F81004-4 | 2 |
| 8 | NUT, M12-8 HEX NYLON LOCK | F81034-2 | 2 |
| | STOP KIT, RUBBER CARRIAGE | K09630 | 2 |
| 9 | Stop, Rubber Carriage | P12165 | 1 |
| 10 | Pin, Rubber Carriage Stop | W09293 | 1 |
| 11 | Pin, 3/16" X 1" Cotter | F05012-21 | 1 |
| 12 | BRACKET, FRONT FEED CHAIN MOUNT | 015008 | 1 |
| 13 | BOLT, 3/8-16 X 1" HEX HEAD | F05007-7 | 2 |
| 14 | NUT, 3/8-16 HEX NYLON LOCK | F05010-10 | 2 |
| 15 | BRACKET WELDMENT, REAR MAIN TUBE COVER MOUNT | 087105-1 | 1 |
| 16 | COVER, REAR MAIN TUBE | 015023 | 1 |
| 17 | WASHER, 8.4 FLAT | F81054-1 | 2 |
| 18 | WASHER, 8.2 SPLIT LOCK | F81054-4 | 2 |
| 19 | BOLT, 5/16-18 X 1" HEX HEAD | F05006-1 | 2 |

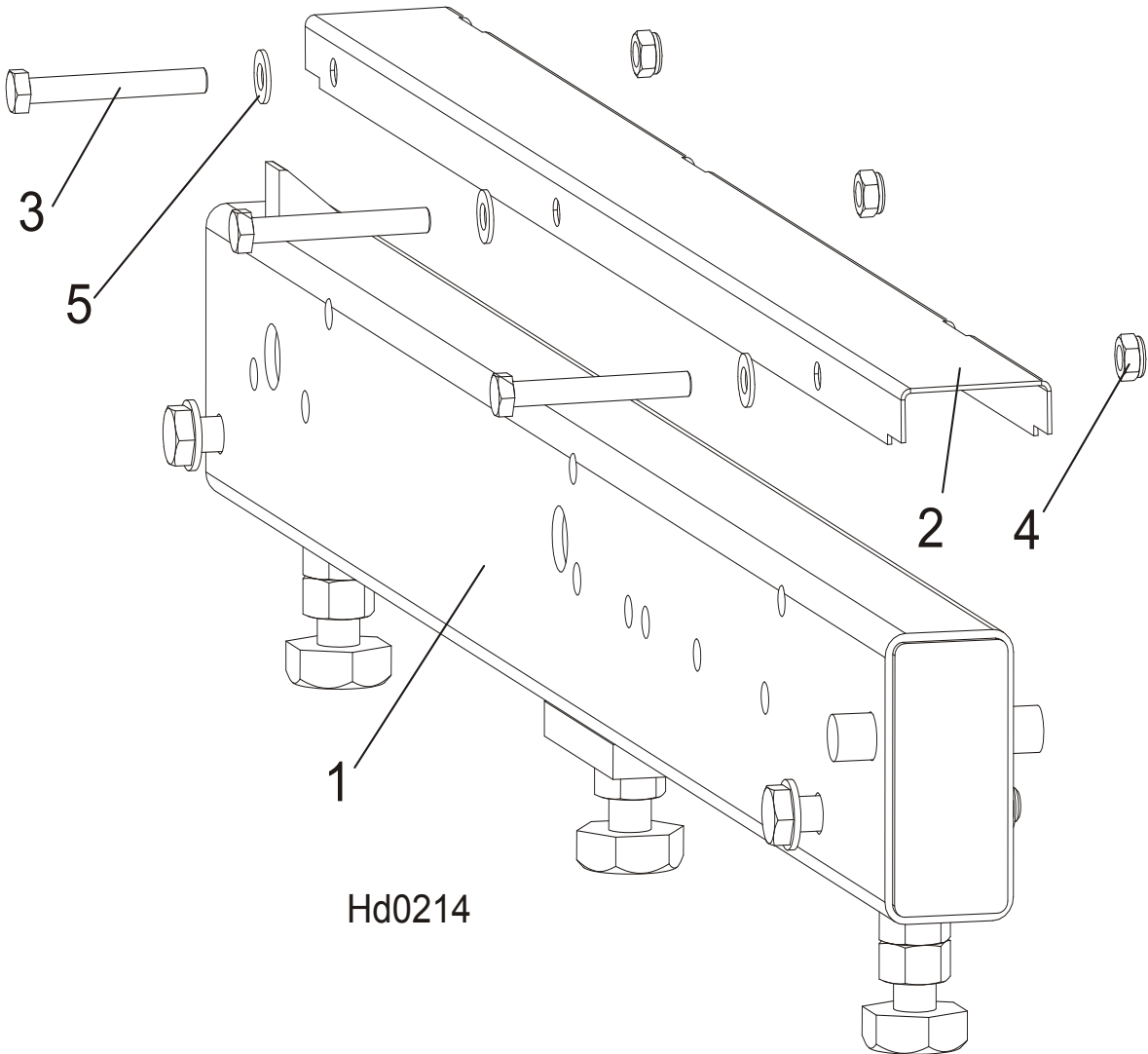
7.4 Lower Track Rollers



| REF. | DESCRIPTION (◆ Indicates Parts Available In Assemblies Only) | PART # | QTY |
|------|--|-----------|-----|
| | BLOCK ASSEMBLY, VERTICAL MAST ALIGNMENT DOUBLE | 088523 | 1 |
| 1 | Block, Vertical Mast Alignment Double | 088517 | 1 |
| 2 | Block, Cam Follower Mount | 088520 | 1 |
| 3 | Bearing, Cam Follower (McGill) | 012797 | 2 |
| 4 | Washer, 16.3 Split Zinc Lock | F81058-2 | 2 |
| 5 | Nut, 5/8"-18 Zinc | F05010-11 | 2 |
| 6 | Pin, Cam Follower Mount | 088521 | 1 |
| 7 | Washer, 17 Zinc Flat | F81058-1 | 1 |
| 8 | Nut, M16-8 Hex Nylon Zinc Lock | F81036-2 | 1 |
| 9 | Pin, Safety Lock | 088519 | 1 |
| 10 | Fitting, M6 Straight Grease | 086280 | 1 |
| | BLOCK ASSEMBLY, VERTICAL MAST ALIGNMENT SINGLE | 088524 | 1 |
| 11 | Block, Vertical Mast Alignment Single | 088518 | 1 |
| 12 | Bearing, Cam Follower (McGill) | 012797 | 1 |
| 13 | Washer, 16.3 Split Zinc Lock | F81058-2 | 1 |
| 14 | Nut, 5/8"-18 Zinc | F05010-11 | 1 |
| 15 | PLATE, LOWER TRACK ROLLER RETAINER | 088516 | 3 |
| 16 | BOLT, M10X30-5.8 HEX HEAD FULL THREAD ZINC | F81003-2 | 12 |
| 17 | WASHER, 10.2 SPLIT ZINC LOCK | F81055-2 | 12 |
| 18 | BOLT, M12X1.25X65-8.8 HEX HEAD FULL THREAD ZINC | F81004-40 | 6 |
| 19 | WASHER, Z12.2 SPLIT ZINC LOCK | F81056-2 | 3 |
| 20 | NUT, M12X1.25-8 ZINC HEX | F81034-8 | 3 |
| 21 | BLOCK WELDMENT, LOWER TRACK ROLLER MOUNT | 091425 | 1 |

SECTION 8 BED FRAME ASSEMBLY

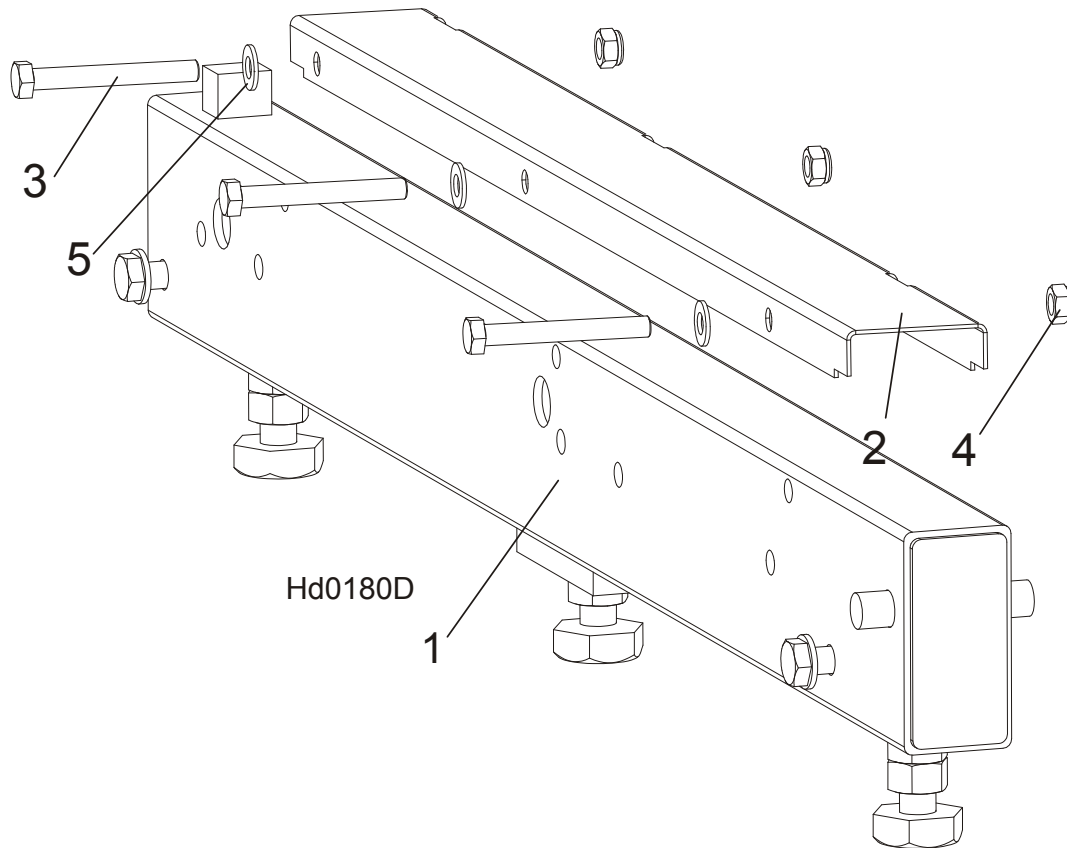
8.1 Bed Rail Assembly, Front



| REF. | DESCRIPTION (◆ Indicates Parts Available In Assemblies Only) | PART # | QTY |
|------|--|----------|-----|
| 1 | BED DRIVE ROLLER (S&M FRAME) | 100676 | 1 |
| 2 | COVER, STAINLESS STEEL BED RAIL | 099124 | 1 |
| 3 | BOLT, M8X65-5.8 ZINC HEX HEAD | F81002-3 | 3 |
| 4 | NUT, M8-8-B HEX NYLON ZINC LOCK | F81032-2 | 3 |
| 5 | WASHER, 8.4 FLAT ZINC | F81054-1 | 3 |

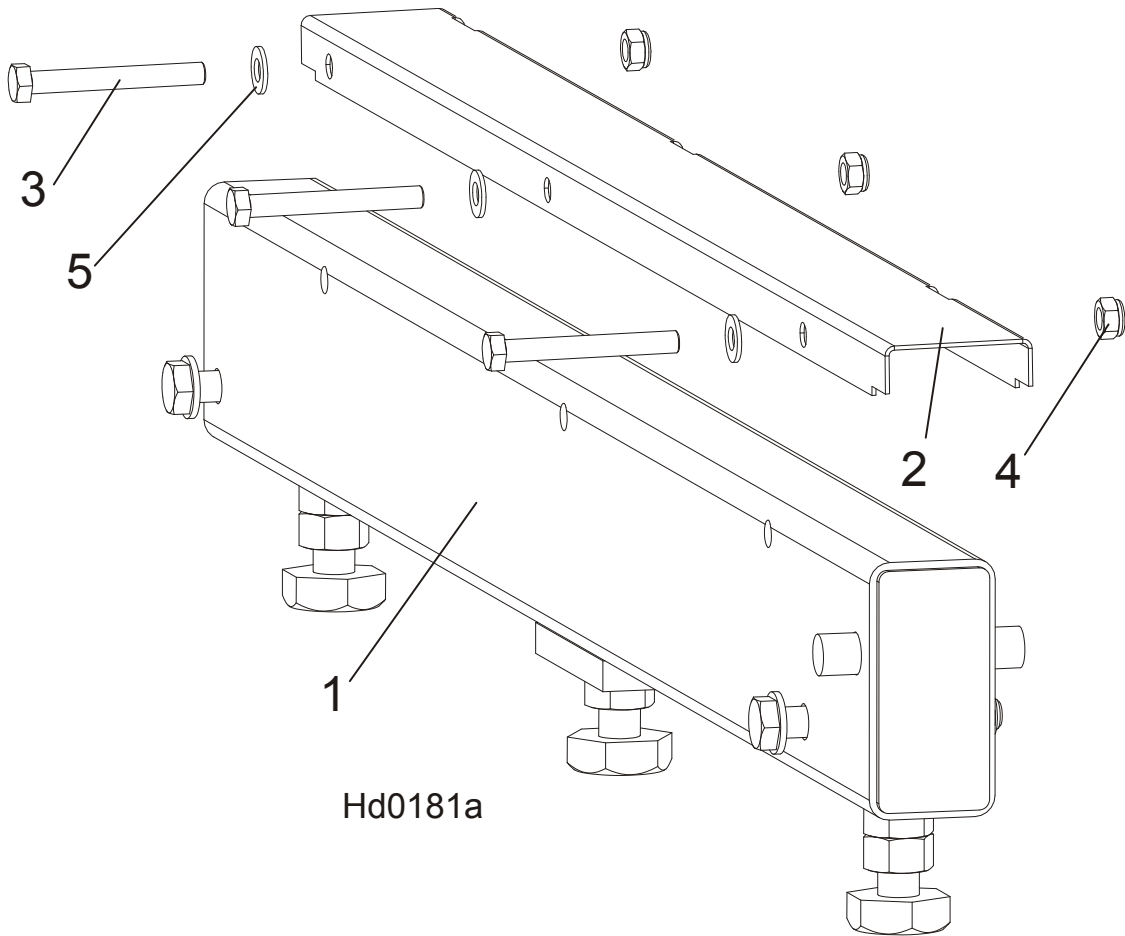
8 **Bed Frame Assembly**
Bed Rail Assembly, Rear

8.2 Bed Rail Assembly, Rear



| REF. | DESCRIPTION (◆ Indicates Parts Available In Assemblies Only) | PART # | QTY |
|------|--|----------|-----|
| 1 | BED RAIL ASSEMBLY, REAR PAINTED | 091555 | 1 |
| 2 | COVER, STAINLESS STEEL BED RAIL | 099124 | 1 |
| 3 | BOLT, M8X65-5.8 ZINC HEX HEAD | F81002-3 | 3 |
| 4 | NUT, M8-8-B HEX NYLON ZINC LOCK | F81032-2 | 3 |
| 5 | WASHER, 8.4 FLAT ZINC | F81054-1 | 3 |

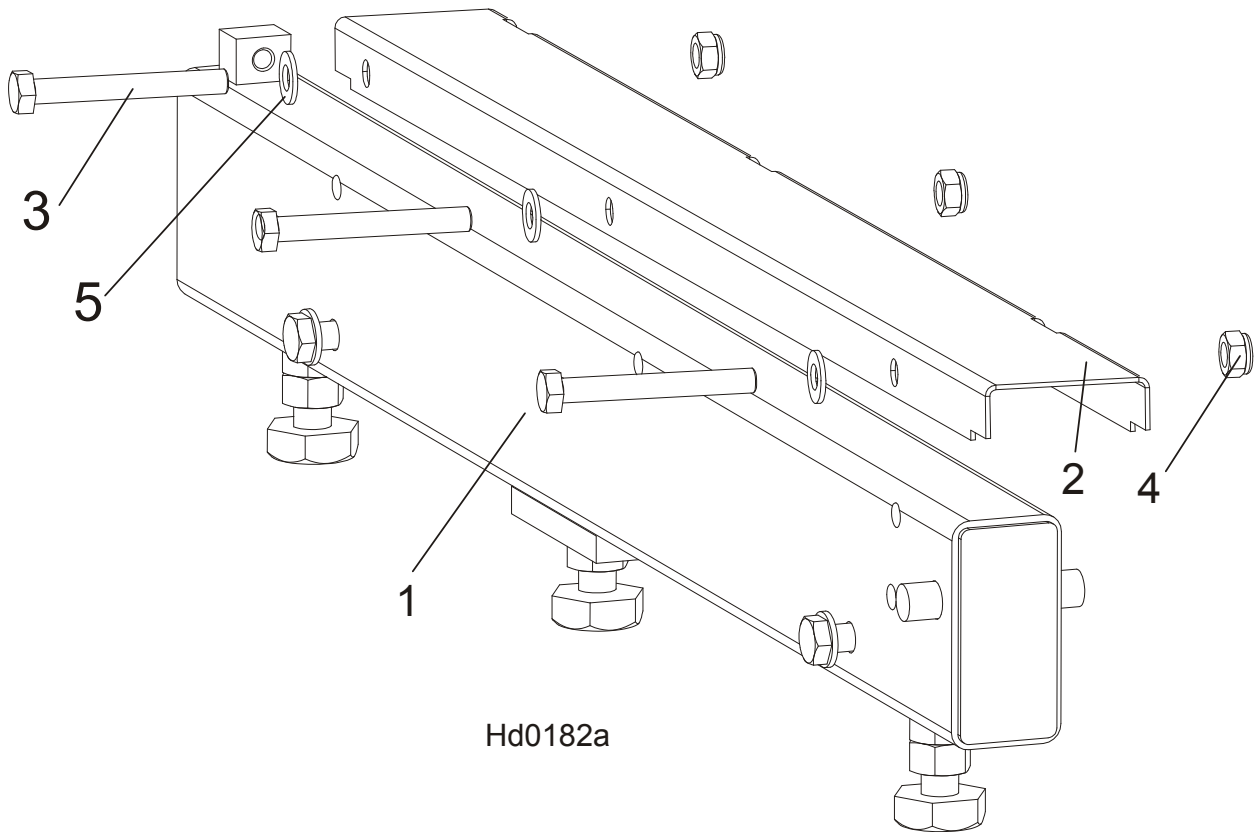
8.3 Bed Rail Assembly, Front Middle



Hd0181a

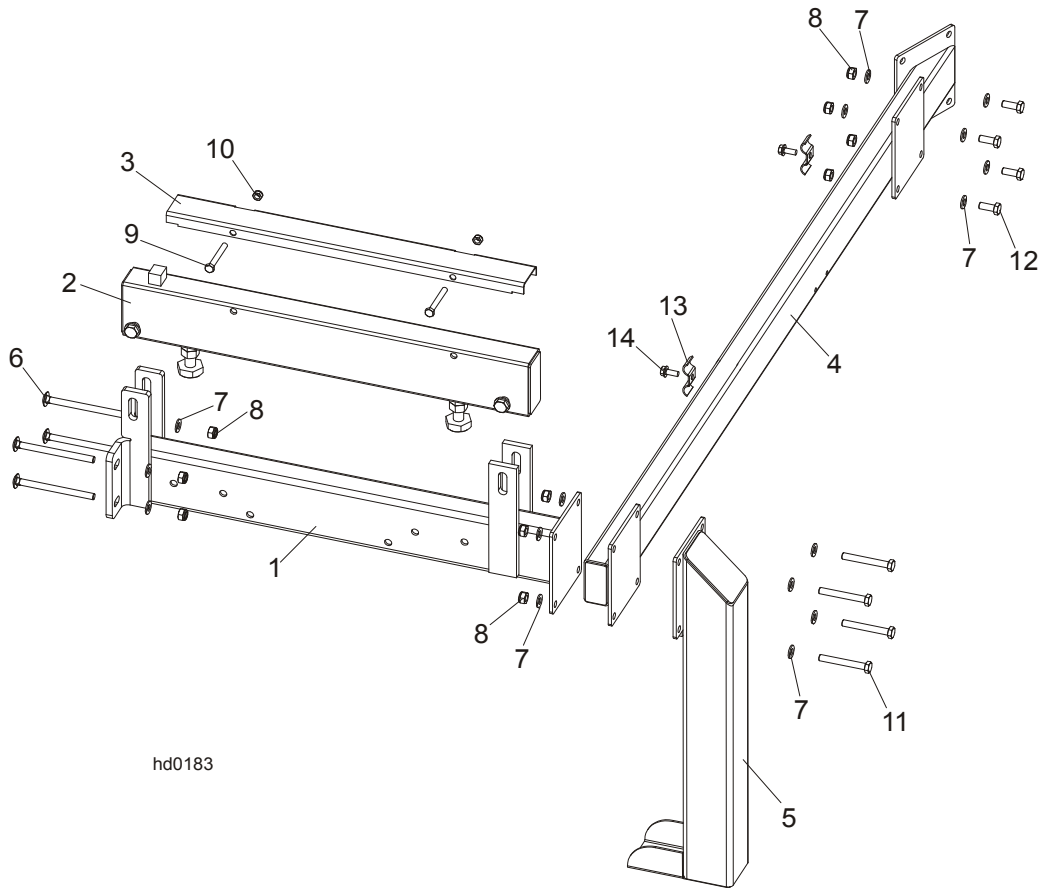
| REF. | DESCRIPTION (◆ Indicates Parts Available In Assemblies Only) | PART # | QTY |
|------|--|----------|-----|
| 1 | BED RAIL ASSEMBLY, FRONT MIDDLE | 091556 | 1 |
| 2 | COVER, STAINLESS STEEL BED RAIL | 099124 | 1 |
| 3 | BOLT, M8X65-5.8 ZINC HEX HEAD | F81002-3 | 3 |
| 4 | NUT, M8-8-B HEX NYLON ZINC LOCK | F81032-2 | 3 |
| 5 | WASHER, 8.4 FLAT ZINC | F81054-1 | 3 |

8.4 Bed Rail Assembly, Rear Middle



| REF. | DESCRIPTION (◆ Indicates Parts Available In Assemblies Only) | PART # | QTY |
|------|--|----------|-----|
| 1 | BED RAIL ASSEMBLY, REAR MIDDLE PAINTED | 091557 | 1 |
| 2 | COVER, STAINLESS STEEL BED RAIL | 099124 | 1 |
| 3 | BOLT, M8X65-5,8 ZINC HEX HEAD | F81002-3 | 3 |
| 4 | NUT, M8-8-B HEX NYLON ZINC LOCK | F81032-2 | 3 |
| 5 | WASHER, 8.4 FLAT ZINC | F81054-1 | 3 |

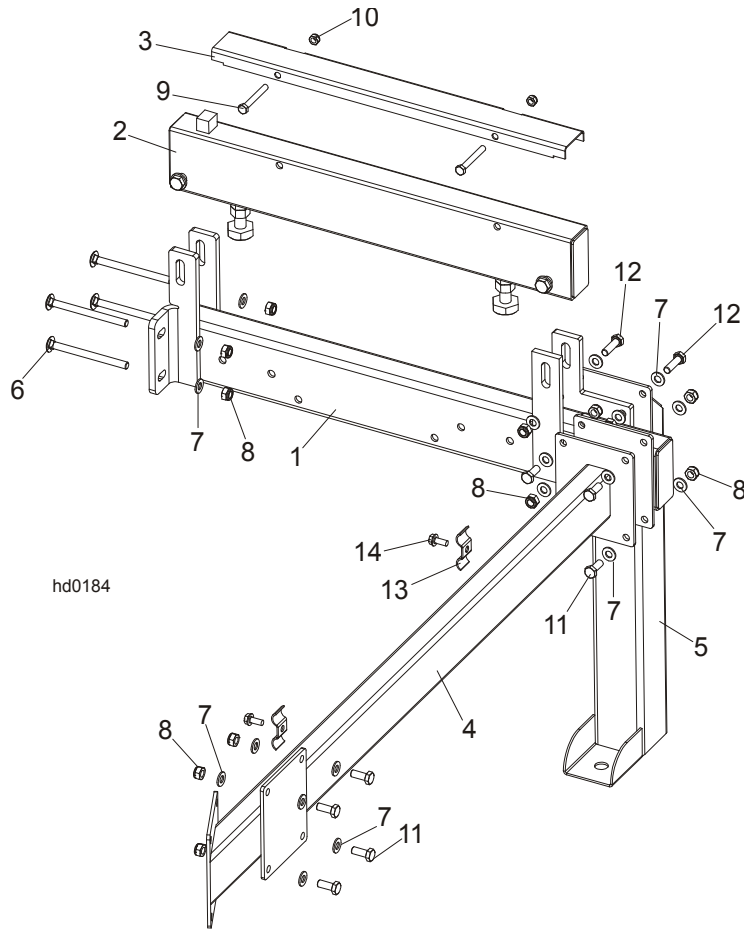
8.5 Clamp Mount Assembly, Front (A/DH5/7)



hd0183

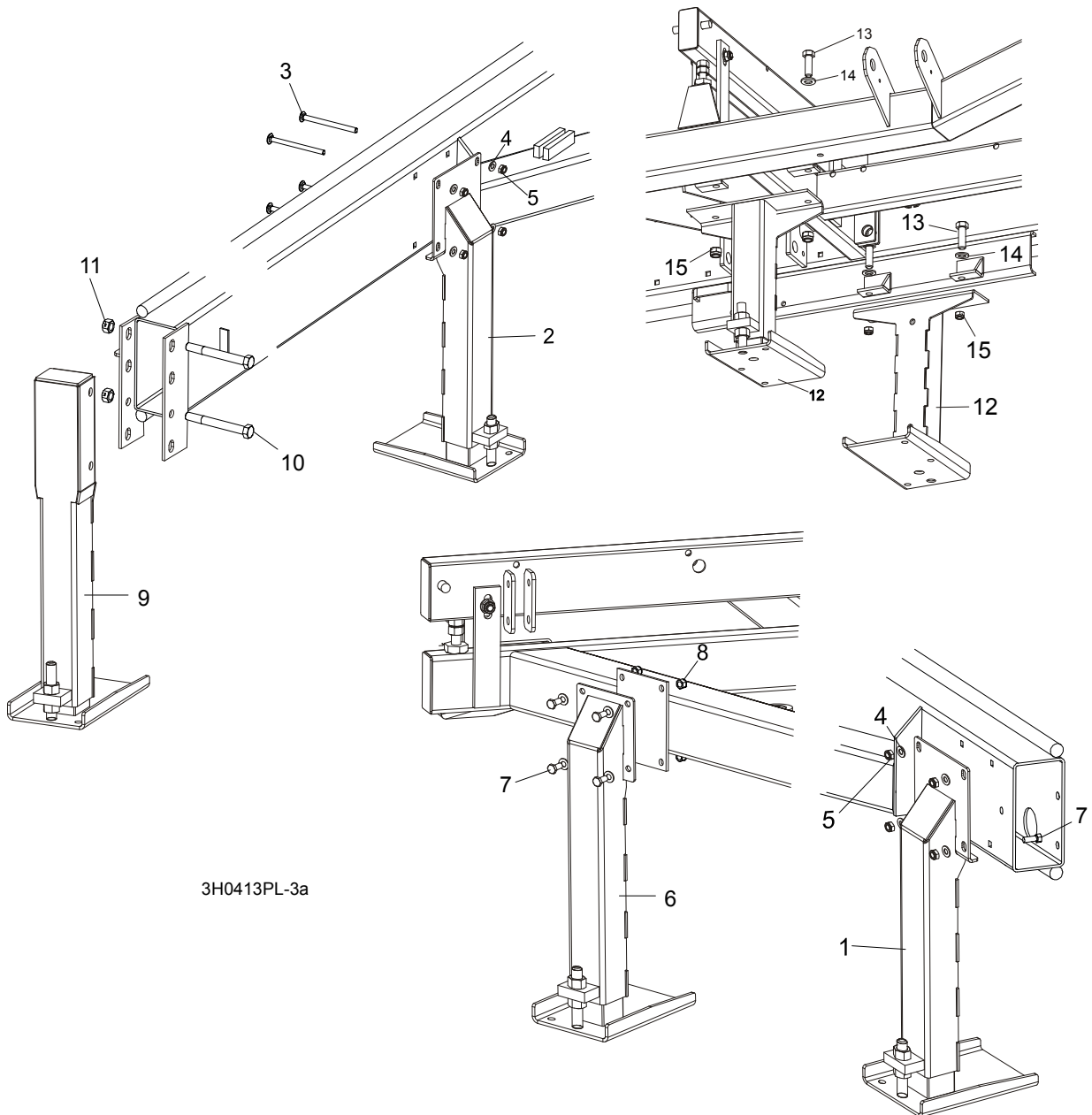
| REF. | DESCRIPTION (◆ Indicates Parts Available In Assemblies Only) | PART # | QTY |
|------|--|-----------|-----|
| | CLAMP MOUNT ASSEMBLY - FRONT | 092937 | 1 |
| 1 | Bed Rail Assembly, Front | 092903-1 | 1 |
| 2 | Bed Rail AH5/DH5 | 095131-1 | 1 |
| 3 | Cover, 22.75 SS LT50 Pivot | 099123 | 1 |
| 4 | Tube Weldment, Bed Front | 092904-1 | 1 |
| 5 | Leg, Stationary Left | 087450-1 | 1 |
| 6 | Bolt, M10 X 125-8.8 Carriage Head | F81003-34 | 4 |
| 7 | Washer, 10.5 Flat Zinc | F81055-1 | 20 |
| 8 | Nut, M10 Hex Nylon Zinc Lock | F81033-1 | 12 |
| 9 | Bolt, M8x65-5.8 Hex Head Zinc | F81002-3 | 2 |
| 10 | Nut, M8 Hex Nylon Zinc Lock | F81032-2 | 2 |
| 11 | Bolt, M10x75-8.8 Hex Head Zinc | F81003-15 | 4 |
| 12 | Bolt, M10x25-8.8 Hex Head Full Thread Zinc | F81003-11 | 4 |
| 13 | Plate, 1/4 Hose Clamp | S09245 | 2 |
| 14 | Screw, 5/16-18x3/4 Self-Tapping | F05015-30 | 2 |

8.6 Clamp Mount Assembly, Rear (A/DH5/7)



| REF. | DESCRIPTION (◆ Indicates Parts Available In Assemblies Only) | PART # | QTY |
|------|--|-----------|-----|
| | CLAMP MOUNT ASSEMBLY - REAR | 092938 | 1 |
| 1 | Bed Rail Assembly, Rear | 092902-1 | 1 |
| 2 | Bed Rail AH5/DH5 | 095131-1 | 1 |
| 3 | Cover, 22.75 SS LT50 Pivot | 099123 | 1 |
| 4 | Tube Weldment, Bed Rear | 092907-1 | 1 |
| 5 | Leg, Stationary Left | 087450-1 | 1 |
| 6 | Bolt, M10 X 125-8.8 Carriage Head | F81003-34 | 4 |
| 7 | Washer, 10.5 Flat Zinc | F81055-1 | 28 |
| 8 | Nut, M10 Hex Nylon Zinc Lock | F81033-1 | 16 |
| 9 | Bolt, M8 x 65-5.8 Hex Head Zinc | F81002-3 | 2 |
| 10 | Nut, M8 Hex Nylon Lock Zinc | F81032-2 | 2 |
| 11 | Bolt, M10x25-8.8Hex Head Full Thread Zinc | F81003-11 | 4 |
| 12 | Bolt, M10x35-8.8 Hex Head Full Thread Zinc | F81003-17 | 4 |
| 13 | Plate, 1/4 Hose Clamp | S09245 | 2 |
| 14 | Screw, 5/16-18x3/4 Self-Tapping | F05015-30 | 2 |

8.7 Leg, Stationary



3H0413PL-3a

| REF. | DESCRIPTION (◆ Indicates Parts Available In Assemblies Only) | PART # | QTY |
|------|--|-----------|------|
| 1 | LEG, OUTRIGGER STATIONARY RIGHT (1 REQ'D FOR LT70S; 3 REQ'D FOR LT70M) | 501640 | 1/3 |
| 2 | LEG, OUTRIGGER STATIONARY W/BOARD RETURN TABLE BRACKET | 501638 | 1 |
| 3 | BOLT, M10 X 120-8.8 CARRIAGE HEAD | F81003-33 | 8/12 |
| 4 | WASHER, 10.5 FLAT | F81055-1 | 8/16 |
| 5 | NUT, M10-8-B HEX NYLON LOCK | F81033-1 | 8/16 |
| 6 | LEG, OUTRIGGER STATIONARY LEFT | 501639 | 2 |
| 7 | BOLT, M10 X 25-8.8 HEX HEAD | F81003-11 | 12 |
| 8 | NUT, M10-8-B HEX NYLON LOCK | F81033-1 | 12 |
| 9 | LEG, OUTRIGGER STATIONARY FRONT | 501641 | 1 |
| 10 | BOLT, M16x140-8.8 HEX HEAD ZINC | F81006-4 | 2 |
| 11 | NUT, M16-8 HEX LOCK ZINC LOCK | F81036-2 | 2 |

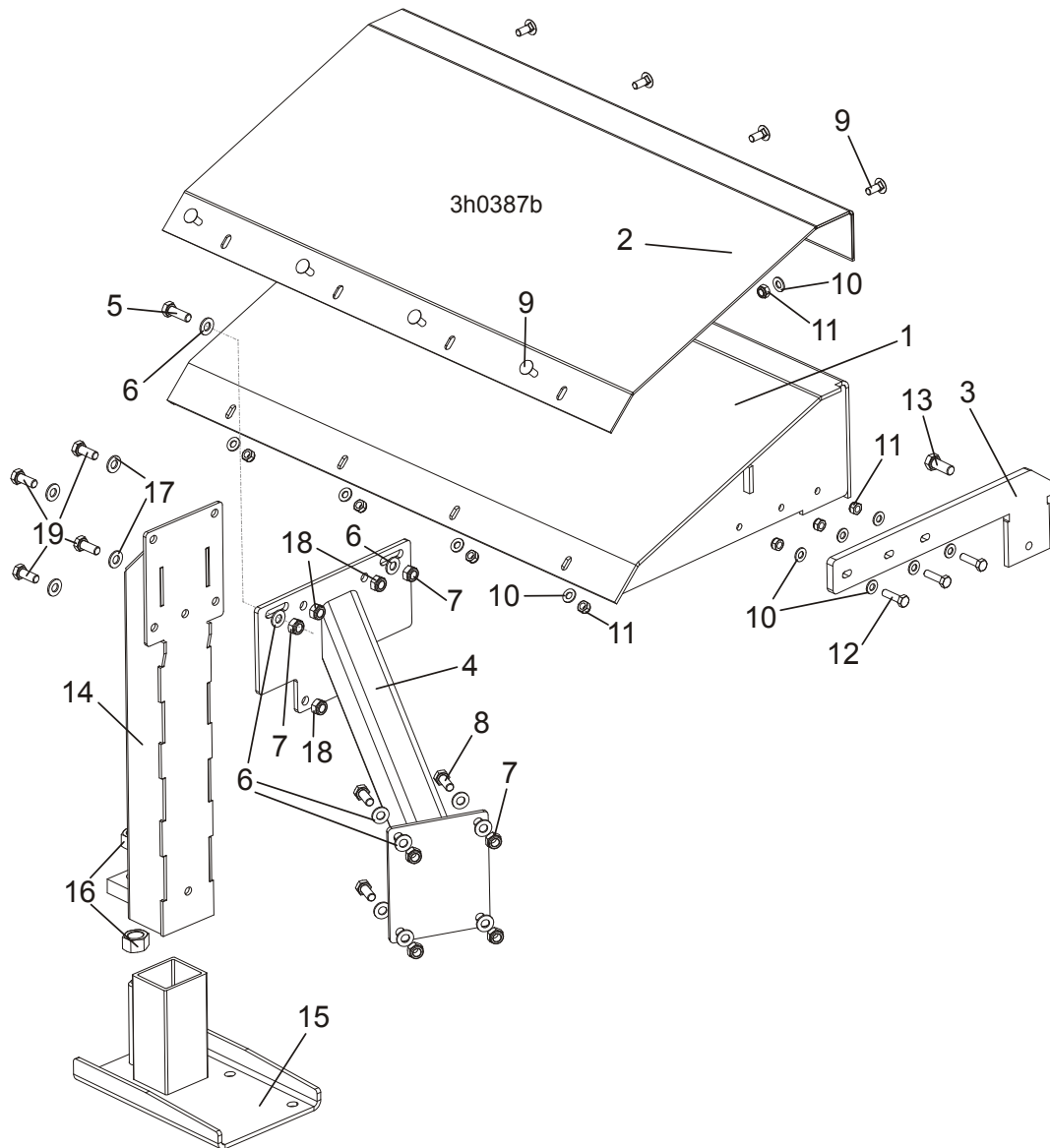


Bed Frame Assembly

Leg, Stationary

| | | | | |
|----|--|----------|---|--|
| 12 | LEG, OUTRIGGER STATIONARY MIDDLE | 501637 | 2 | |
| 13 | BOLT, M16 X 50-8.8 HEX HEAD FULL THREAD ZINC | F81006-7 | 4 | |
| 14 | WASHER, 17 FLAT ZINC | F81058-1 | 4 | |
| 15 | NUT, M16-8 HEX NYLON ZINC LOCK | F81036-2 | 4 | |

8.8 Board Removal Assembly, "M" Frame Stationary Sawmills with A/DH1-3 Hydraulics (Option)



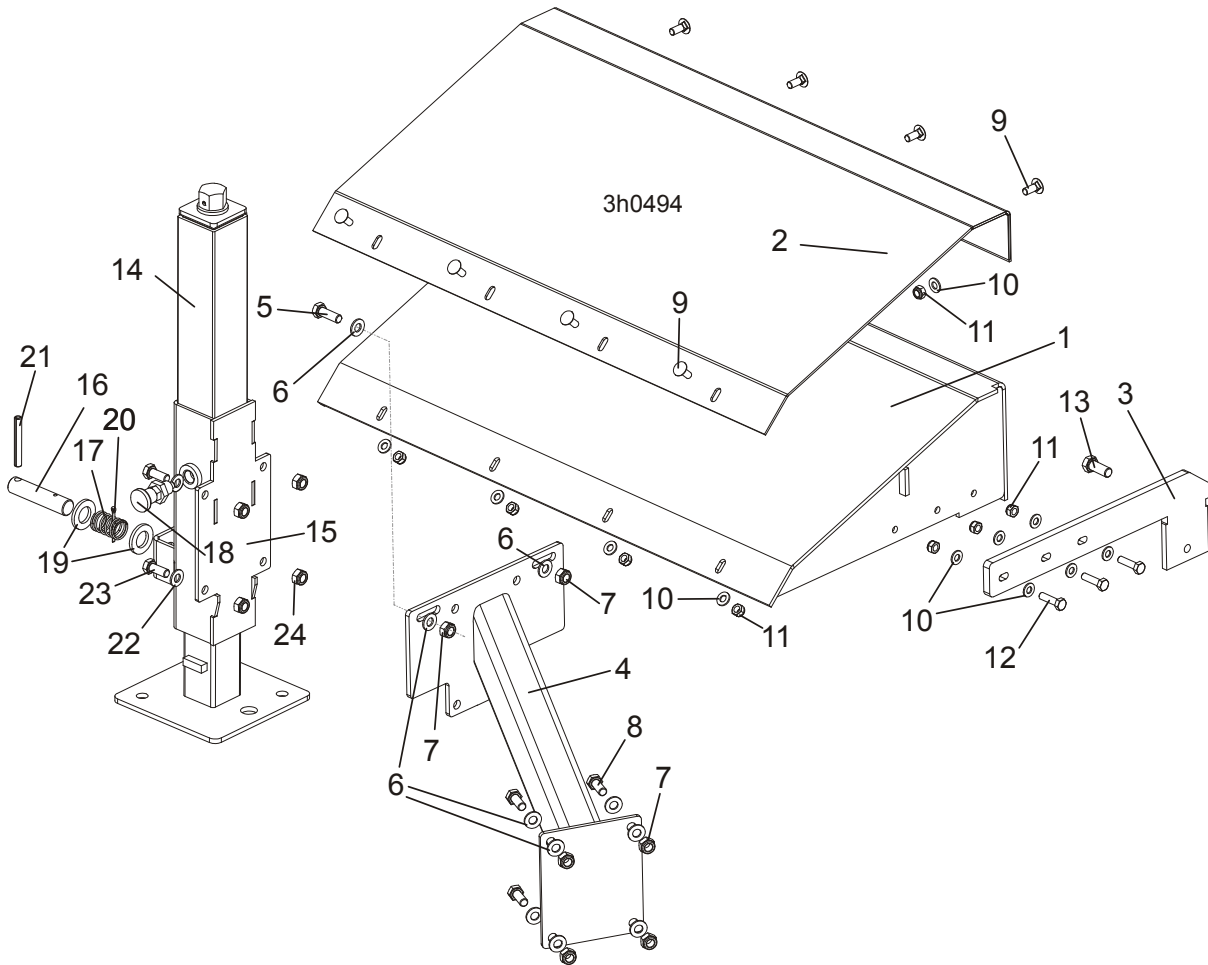
| REF. | DESCRIPTION (◆ Indicates Parts Available In Assemblies Only) | PART # | QTY |
|------|--|---------------|----------|
| | BOARD REMOVAL ASSEMBLY, LT70M (A/DH1-3) | 100661 | 1 |
| | BOARD REMOVAL ASSEMBLY See Section 4.3 | 092757 | 1 |
| | TABLE, "M" FRAME COMPLETE | 099939 | 1 |
| 1 | TABLE, "M" FRAME | 100672-1 | 1 |
| 2 | PLATE, "M" FRAME TABLE TOP | 099946 | 1 |
| 3 | PLATE, LEG MOUNT | 099945-1 | 1 |
| 4 | TUBE WELDMENT, "M" FRAME TABLE SUPPORT | 099941-1 | 1 |
| 5 | BOLT, M10X30-5.8 HEX HEAD FULL THREAD ZINC | F81003-2 | 2 |
| 6 | WASHER, 10.5 FLAT ZINC | F81055-1 | 12 |
| 7 | NUT, M10-8-B NYLON HEX ZINC LOCK | F81033-1 | 6 |
| 8 | BOLT, M10X25-8.8 HEX HEAD FULL THREAD ZINC | F81003-11 | 4 |
| 9 | BOLT, M8X20-8.8 CARRIAGE ZINC | F81002-11 | 8 |

8 Bed Frame Assembly

Board Removal Assembly, "M" Frame Stationary Sawmills with A/DH1-3 Hydraulics (Option)

| | | | | |
|----|--|---------------|----------|--|
| 10 | WASHER, 8.4 FLAT ZINC | F81054-1 | 14 | |
| 11 | NUT, M8-8-B HEX NYLON ZINC LOCK | F81032-2 | 11 | |
| 12 | BOLT, M8X30-5.8 HEX HEAD FULL THREAD ZINC | F81002-2 | 1 | |
| 13 | BOLT, M12X30-8.8 HEX HEAD FULL THREAD ZINC | F81004-22 | 1 | |
| | LEG, LEFT STATIONARY ADJUSTABLE | 501639 | 1 | |
| 14 | LEG WELDMENT - UPPER PART | 500545-1 | 1 | |
| 15 | WIDE FOOT - ADJUSTABLE LEGS | 501084-1 | 1 | |
| 16 | NUT, M20-8 HEX ZINC | F81037-1 | 2 | |
| 17 | WASHER, 10.5 FLAT ZINC | F81055-1 | 4 | |
| 18 | NUT, M10-8-B HEX NYLON ZINC LOCK | F81033-1 | 4 | |
| 19 | BOLT, M10X25-8.8 HEX HEAD FULL THREAD ZINC | F81003-11 | 4 | |

8.9 Board Removal Assembly, "M" Frame Portable Sawmills with A/DH1-3 Hydraulics (Option)



| REF. | DESCRIPTION (◆ Indicates Parts Available In Assemblies Only) | PART # | QTY |
|------|--|---------------|----------|
| | BOARD REMOVAL ASSEMBLY, LT70M PORTABLE (A/DH1-3) | 506531 | 1 |
| | BOARD REMOVAL ASSEMBLY See Section 4.3 | 092757 | 1 |
| | TABLE, "M" FRAME PORTABLE COMPLETE | 506529 | 1 |
| 1 | TABLE, "M" FRAME | 100672-1 | 1 |
| 2 | PLATE, "M" FRAME TABLE TOP | 099946 | 1 |
| 3 | PLATE, LEG MOUNT | 099945-1 | 1 |
| 4 | TUBE WELDMENT, "M" FRAME TABLE SUPPORT | 099941-1 | 1 |
| 5 | BOLT, M10X30-5.8 HEX HEAD FULL THREAD ZINC | F81003-2 | 2 |
| 6 | WASHER, 10.5 FLAT ZINC | F81055-1 | 12 |
| 7 | NUT, M10-8-B HEX NYLON ZINC LOCK | F81033-1 | 6 |
| 8 | BOLT, M10X25-8.8 HEX HEAD FULL THREAD ZINC | F81003-11 | 4 |
| 9 | BOLT, M8X20-8.8 CARRIAGE ZINC | F81002-11 | 8 |
| 10 | WASHER, 8.4 FLAT ZINC | F81054-1 | 14 |
| 11 | NUT, M8-8-B HEX NYLON ZINC LOCK | F81032-2 | 11 |
| 12 | BOLT, M8X30-5.8 HEX HEAD FULL THREAD ZINC | F81002-2 | 1 |
| 13 | BOLT M12X30-8.8 HEX HEAD FULL THREAD ZINC | F81004-22 | 1 |
| | LEG, COMPLETE SIDE FAO | 094583 | 1 |
| 14 | BASE WLDMT, FINE ADJUST OUTRIGGER LEG | 093589 | 1 |

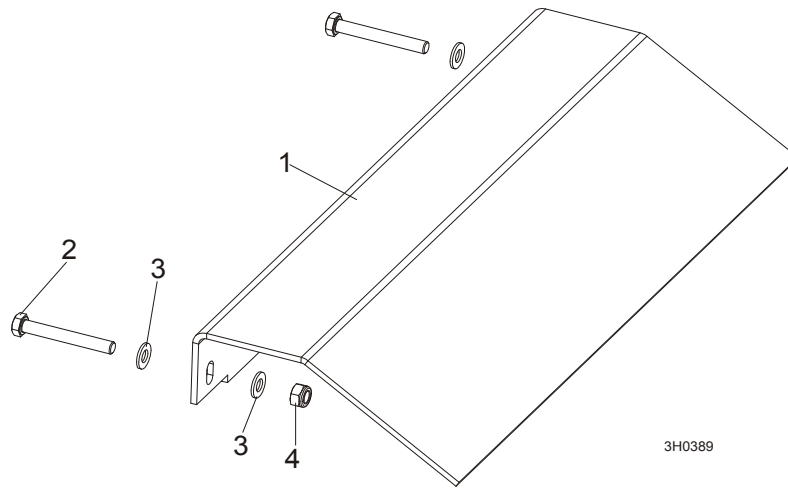
8

Bed Frame Assembly

Board Removal Assembly, "M" Frame Sawmills with A/DH4-7 Hydraulics (Option)

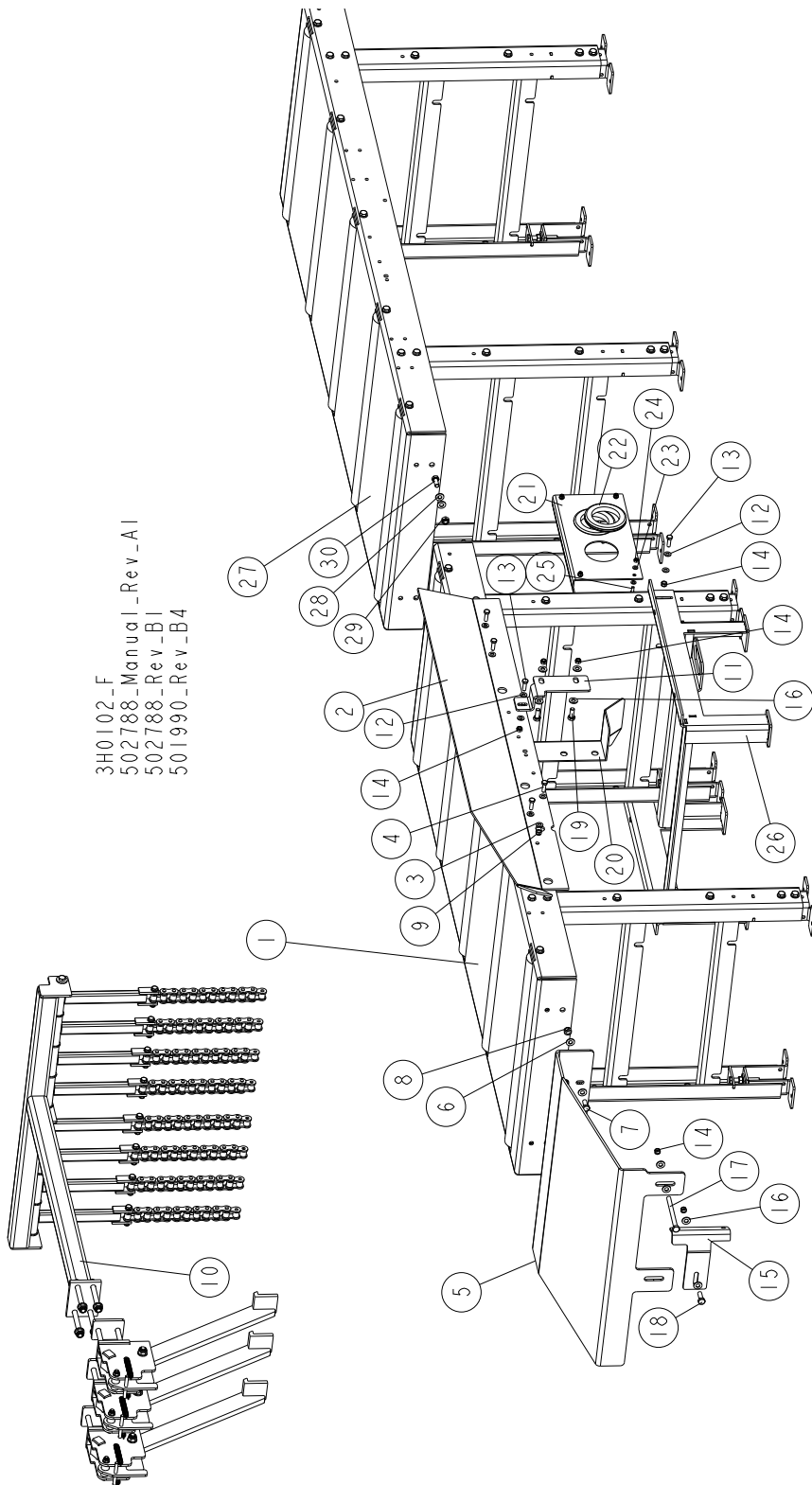
| | | | | |
|----|--|-----------|---|--|
| 15 | GUIDE WELDMENT, SIDE FAO LEG | 504243-1 | 1 | |
| 16 | PIN, OUTRIGGER ZINC-PLATED | 087012-1 | 1 | |
| 17 | SPRING, 21 DIA. x38 x 2 ZINC-PLATED | 087040 | 1 | |
| 18 | PIN, DETENT | 090197 | 1 | |
| 19 | WASHER, 21 FLAT ZINC | F81059-2 | 2 | |
| 20 | PIN, S-Zn 4x25 COTTER | F81043-2 | 1 | |
| 21 | PIN, 8x65 ROLL ZINC | F81046-1 | 1 | |
| 22 | WASHER, 10.5 FLAT ZINC | F81055-1 | 4 | |
| 23 | BOLT, M10x25-8.8 HEX HEAD FULL THREAD ZINC | F81003-11 | 4 | |
| 24 | NUT, M10-8-B HEX NYLON ZINC LOCK | F81033-1 | 4 | |

8.10 Board Removal Assembly, "M" Frame Sawmills with A/DH4-7 Hydraulics (Option)



| REF. | DESCRIPTION (◆ Indicates Parts Available In Assemblies Only) | PART # | QTY | |
|------|--|-----------|-----|--|
| | BOARD REMOVAL ASSEMBLY, LT40M (A/DH4-7) | 100703 | 1 | |
| | BOARD REMOVAL ASSEMBLY See Section 4.3 | 087839-1 | 1 | |
| 1 | PLATE, BOARD REMOVAL ASSY | 099953-1 | 1 | |
| 2 | BOLT, M10x75-8.8 HEX HEAD ZINC | F81003-15 | 2 | |
| 3 | WASHER, 10.5 FLAT ZINC | F81055-1 | 4 | |
| 4 | NUT, M10-8-B HEX NYLON ZINC LOCK | F81033-1 | 2 | |

8.11 Board Return Table (LT70M Option)



| REF. | DESCRIPTION (◆ Indicates Parts Available In Assemblies Only) | PART # | QTY |
|------|--|--------|-----|
| | TABLE, LT70M DOUBLE | 502788 | 1 |
| | BOARD RETURN TABLE - LONG TABLE (LT70M OPTION) | 501990 | 1 |
| | TABLE, "M" FRAME LONG SPECIAL | 501975 | 1 |

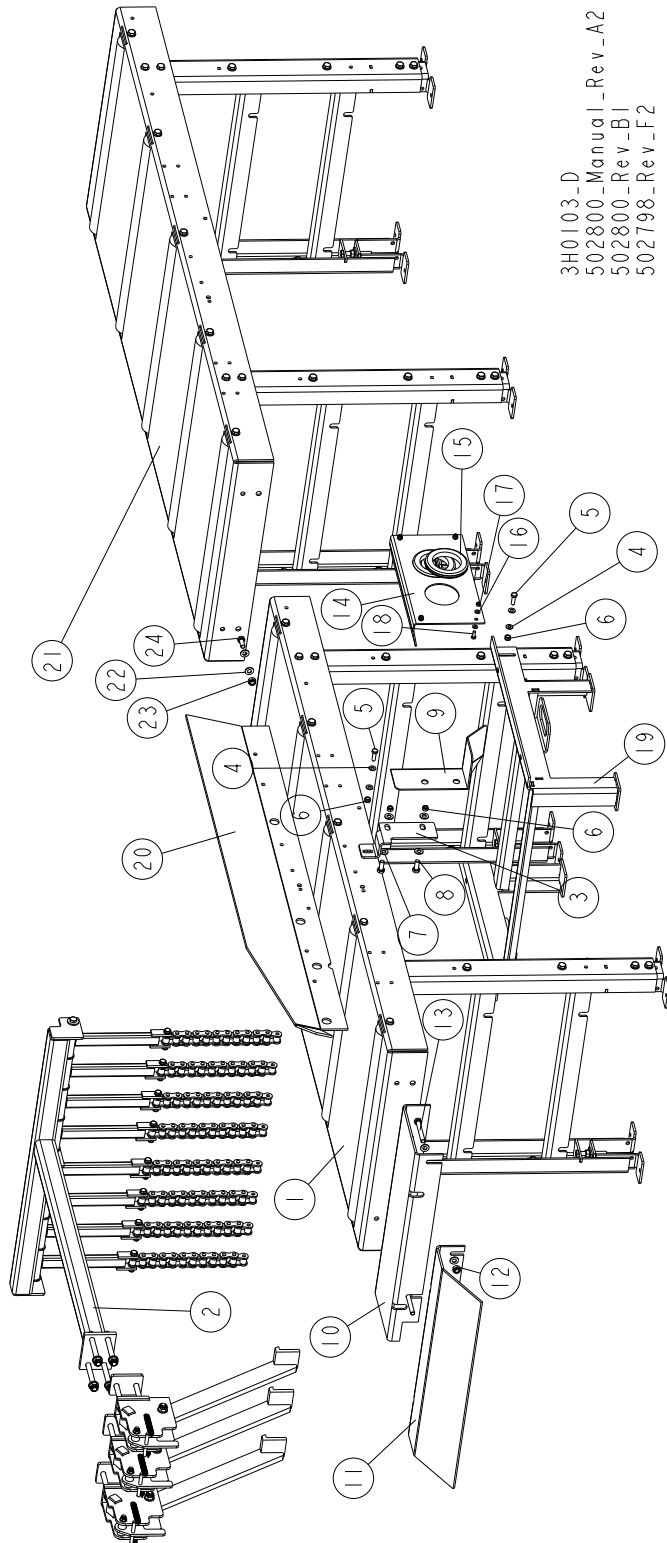
8

Bed Frame Assembly

Board Return Table (LT70M Option)

| | | | | |
|----|---|---------------|----------|--|
| 1 | TABLE, M FRAME LONG See Section 8.15 | 502539 | 1 | |
| 2 | BRACKET, BOARD RETURN TABLE | 501978-1 | 1 | |
| 3 | WASHER, 8.4 FLAT ZINC | F81054-1 | 8 | |
| 4 | BOLT,M8X25-8.8-B HEX HEAD FULL THREAD | F81002-5 | 4 | |
| 5 | PLATE, BOARD RETURN TABLE FRONT | 501977-1 | 1 | |
| 6 | WASHER, 10.5 FLAT ZINC | F81055-1 | 8 | |
| 7 | BOLT, M10x25-8.8 HEX HEAD FULL THREAD ZINC | F81003-11 | 4 | |
| 8 | NUT, M10-8-B NYLON HEX ZINC LOCK | F81033-1 | 4 | |
| 9 | NUT, M8-8-B HEX NYLON LOCK ZINC | F81032-2 | 4 | |
| 10 | BOARD RETURN ASSEMBLY See Section 4.3 | 092757 | 1 | |
| 11 | BRACKET, "M" LONG TABLE | 502519-1 | 1 | |
| 12 | WASHER, 8.4 FLAT ZINC | F81054-1 | 6 | |
| 13 | BOLT, M8X25-8.8-B HEX HEAD FULL THREAD | F81002-5 | 3 | |
| 14 | NUT, M8-8-B HEX NYLON LOCK ZINC | F81032-2 | 7 | |
| 15 | TUBE, TABLE LEG | 502520-1 | 1 | |
| 16 | WASHER, 10.5 FLAT ZINC | F81055-1 | 8 | |
| 17 | BOLT, M10X125-8.8 HEX HEAD ZINC | F81003-18 | 1 | |
| 18 | BOLT, M10X30-5.8 HEX HEAD FULL THREAD ZINC | F81003-2 | 1 | |
| 19 | BOLT, M10x25-8.8 HEX HEAD FULL THREAD ZINC | F81003-11 | 2 | |
| 20 | COVER, HYDRAULIC HOSE - SPECIAL | 502500-1 | 1 | |
| | COVER, HYDRAULIC HOSE - COMPLETE | 504262 | 1 | |
| 21 | PLATE, HYDRAULIC HOSE COVER | 504261-1 | 1 | |
| 22 | COVER, 80 MM RUBBER | 089293 | 2 | |
| 23 | WASHER, 6.4 FLAT ZINC | F81053-1 | 8 | |
| 24 | NUT, M6-8-B HEX NYLON LOCK ZINC | F81031-2 | 4 | |
| 25 | BOLT, M6X16 -8.8 HEX HEAD FULL THREAD ZINC | F81001-32 | 4 | |
| 26 | MOUNT, HYDRAULIC BOX | 513155-1 | 1 | |
| 27 | TABLE, M FRAME LONG See Section 8.15 | 502539 | 1 | |
| 28 | WASHER, 10.5 FLAT ZINC | F81055-1 | 4 | |
| 29 | NUT,M10-8-B NYLON HEX ZINC LOCK | F81033-1 | 4 | |
| 30 | BOLT, M10x25-8.8 HEX HEAD FULL THREAD ZINC | F81003-11 | 2 | |

8.12 Board Return Table (LT70M A/DH4-7 Option)

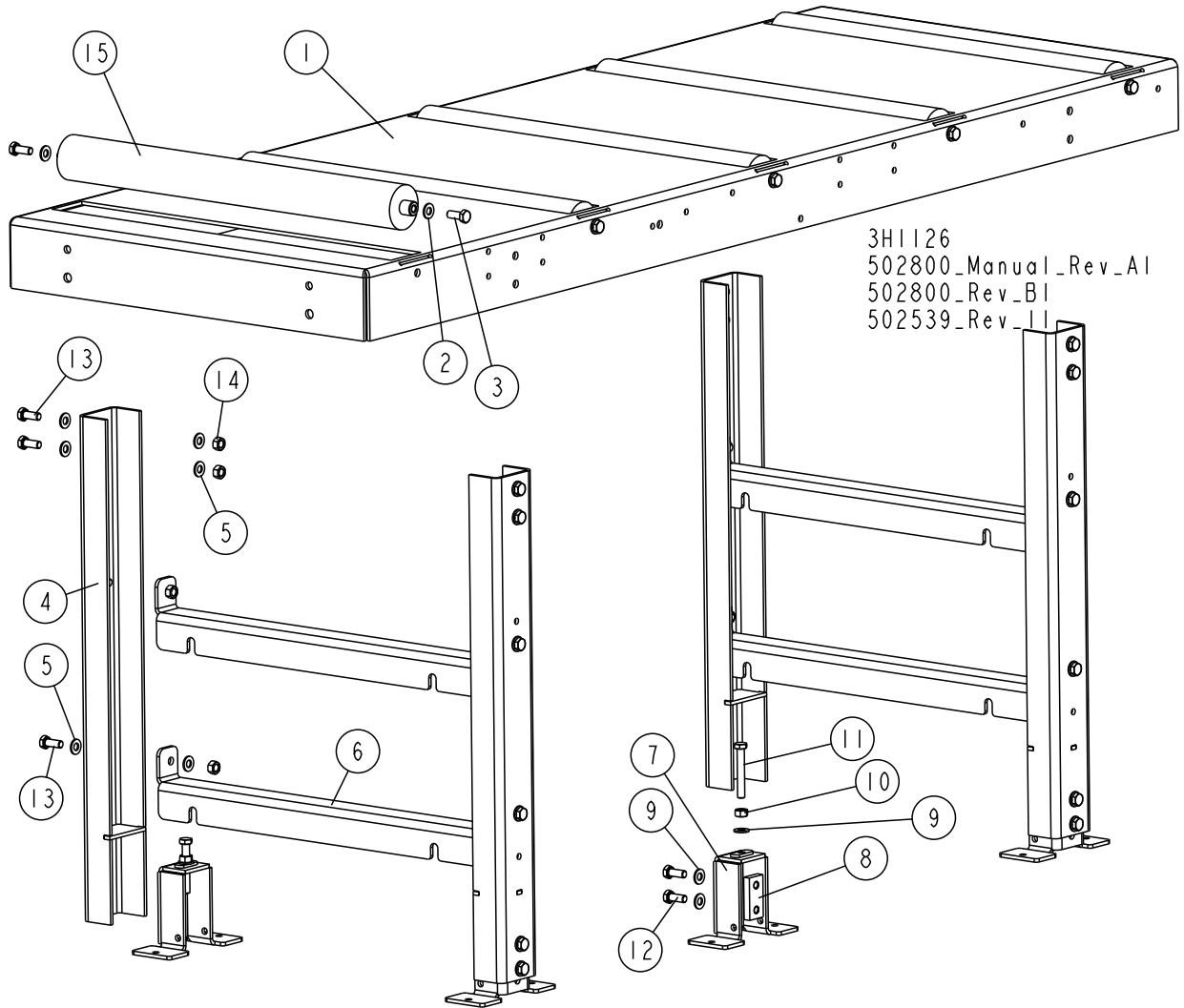


3H0103_D
 502800_Manual_Rev_A2
 502800_Rev_B1
 502798_Rev_F2

| REF. | DESCRIPTION (◆ Indicates Parts Available In Assemblies Only) | PART # | QTY |
|------|--|--------|-----|
| | TABLE, LT70M A/DH4-7 DOUBLE | 502800 | 1 |
| | BOARD RETURN TABLE - LONG TABLE | 502798 | 1 |
| 1 | TABLE, M FRAME LONG See Section 8.15 | 502539 | 1 |

| | | | | |
|----|---|---------------|----------|--|
| 2 | BOARD RETURN ASSEMBLY See Section 4.3 | 092757 | 1 | |
| 3 | BRACKET, "M" LONG TABLE | 502519-1 | 1 | |
| 4 | WASHER, 8.4 FLAT ZINC | F81054-1 | 6 | |
| 5 | BOLT, M8X25-8.8-B HEX HEAD FULL THREAD | F81002-5 | 3 | |
| 6 | NUT, M8-8-B HEX NYLON LOCK ZINC | F81032-2 | 5 | |
| 7 | WASHER, 10.5 FLAT ZINC | F81055-1 | 8 | |
| 8 | BOLT, M10x25-8.8 HEX HEAD FULL THREAD ZINC | F81003-11 | 2 | |
| 9 | COVER, HYDRAULIC HOSE - SPECIAL | 502500-1 | 1 | |
| 10 | PLATE, TABLE AH4-7, M FRAME | 512575-1 | 1 | |
| 11 | PLATE, BOARD RETURN | 099953-1 | 1 | |
| 12 | NUT, M10-8-B NYLON HEX ZINC LOCK | F81033-1 | 2 | |
| 13 | BOLT, M10X75-8.8 HEX HEAD ZINC | F81003-15 | 2 | |
| | COVER, HYDRAULIC HOSE - COMPLETE | 504262 | 1 | |
| 14 | PLATE, HYDRAULIC HOSE COVER | 504261-1 | 1 | |
| 15 | COVER, 80 MM RUBBER | 089293 | 2 | |
| 16 | WASHER, 6.4 FLAT ZINC | F81053-1 | 8 | |
| 17 | NUT, M6-8-B HEX NYLON LOCK ZINC | F81031-2 | 4 | |
| 18 | BOLT, M6X16 -8.8 HEX HEAD FULL THREAD ZINC | F81001-32 | 4 | |
| 19 | MOUNT, HYDRAULIC BOX | 513155-1 | 1 | |
| 20 | BRACKET, BOARD RETURN TABLE | 501978-1 | 1 | |
| 21 | TABLE, M FRAME LONG See Section 8.15 | 502539 | 1 | |
| 22 | WASHER, 10.5 FLAT ZINC | F81055-1 | 4 | |
| 23 | NUT, M10-8-B NYLON HEX ZINC LOCK | F81033-1 | 24 | |
| 24 | BOLT, M10x25-8.8 HEX HEAD FULL THREAD ZINC | F81003-11 | 2 | |

8.13 Long Table



| REF. | DESCRIPTION (◆ Indicates Parts Available in Assemblies Only) | PART # | QTY |
|------|--|---------------|----------|
| | LONG TABLE, "M" FRAME | 502539 | 1 |
| 1 | TOP, TABLE | 512488-1 | 1 |
| 2 | WASHER, 10.5 FLAT ZINC | F81055-1 | 10 |
| 3 | BOLT, M10X25 8.8 HEX HEAD FULL THREAD ZINC | F81003-11 | 10 |
| | LEG, TABLE - COMPLETE | 501974 | 2 |
| 4 | LEG, TABLE | 501976 | 2 |
| 5 | WASHER, 10.5 FLAT ZINC | F81055-1 | 15 |
| 6 | CROSS-BAR, TABLE | 500074-1 | 2 |
| | COMPLETE ADJUSTABLE LEG FOOT | 101014 | 2 |
| 7 | FOOT, LEG ADJUSTABLE | 101022-1 | 1 |
| 8 | PLATE, M10 CLAMPING ZINC-PLATED | 101242-1 | 1 |
| 9 | WASHER, 10.5 FLAT ZINC | F81055-1 | 3 |
| 10 | NUT, M10 8 HEX ZINC | F81033-3 | 1 |
| 11 | BOLT, M10X70 8.8 HEX HEAD FULL THREAD ZINC | F81003-20 | 1 |
| 12 | BOLT, M10X25 8.8 HEX HEAD FULL THREAD ZINC | F81003-11 | 2 |

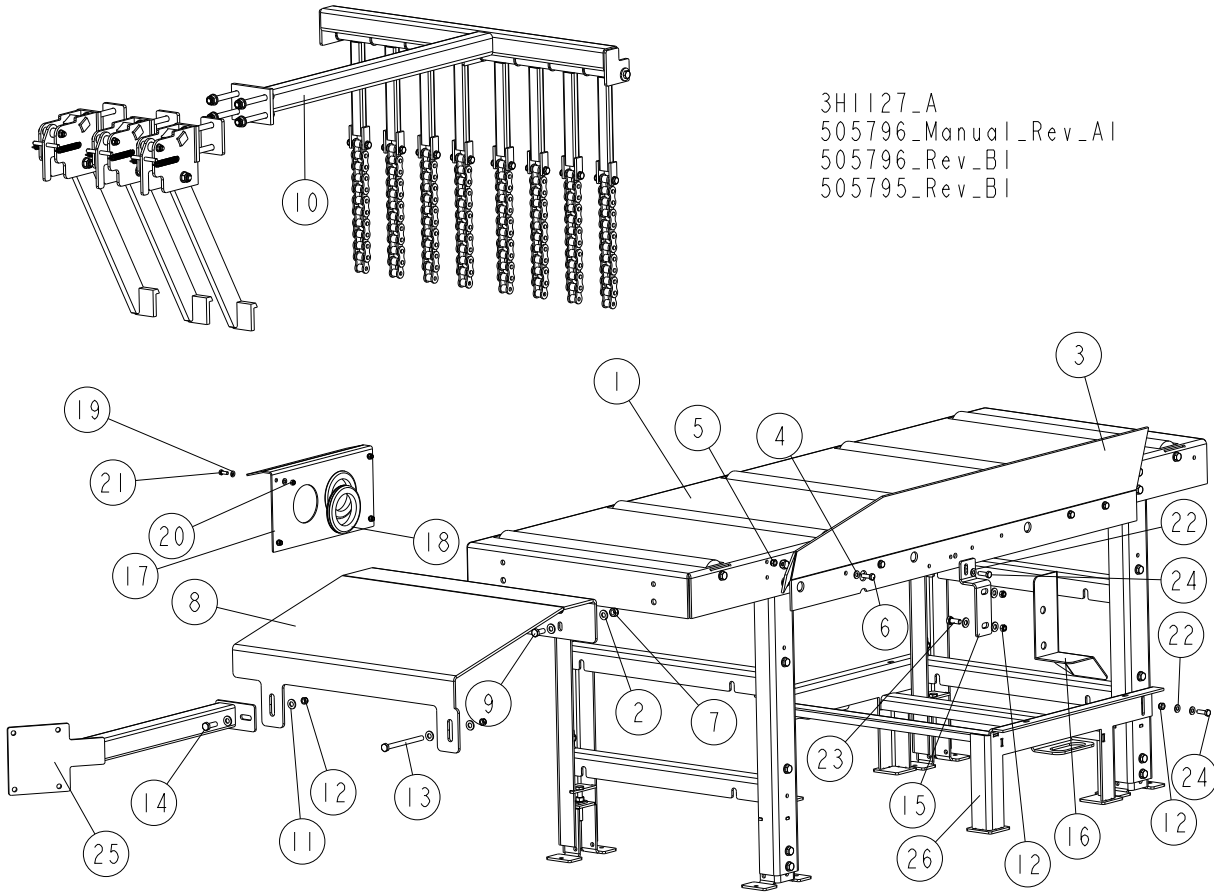


Bed Frame Assembly

Long Table

| REF. | DESCRIPTION (◆ Indicates Parts Available in Assemblies Only) | PART # | QTY | |
|------|--|-----------|-----|--|
| 13 | BOLT, M10X25 8.8 HEX HEAD FULL THREAD ZINC | F81003-11 | 8 | |
| 14 | NUT, M10 8 HEX ZINC | F81033-3 | 8 | |
| 15 | ROLLER, 63.5/20X590 | 501090-1 | 5 | |

8.14 Board Return Assembly - LT70S Long Table

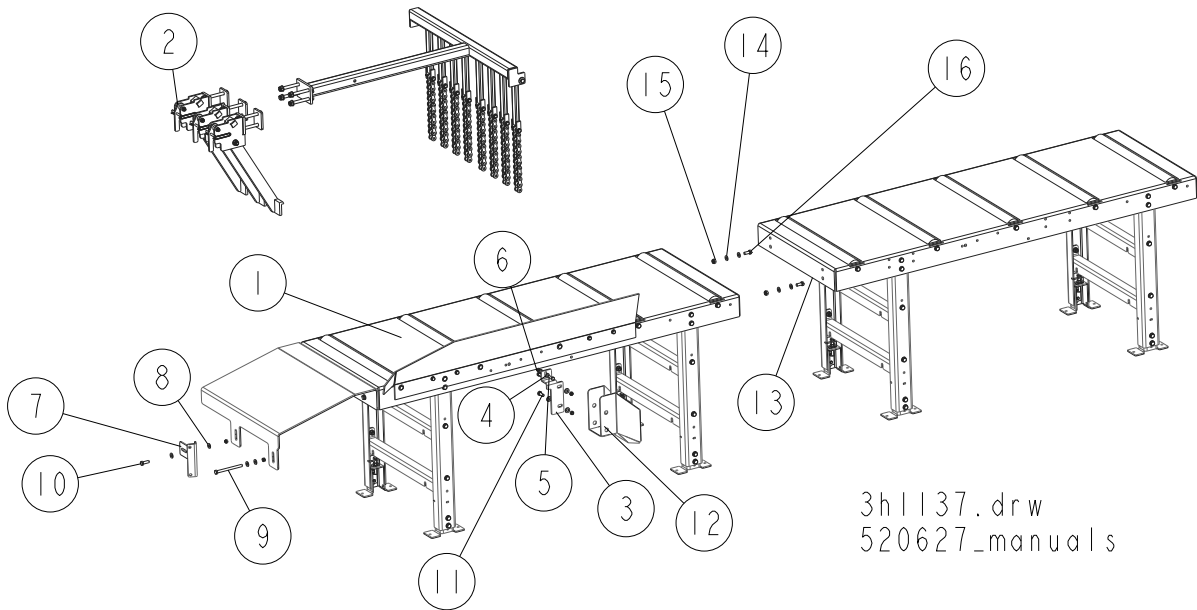


3H1127_A
 505796_Manual_Rev_AI
 505796_Rev_B1
 505795_Rev_B1

| REF. | DESCRIPTION (◆ Indicates Parts Available In Assemblies Only) | PART # | QTY. |
|------|--|---------------|----------|
| | BOARD RETURN ASSEMBLY - LT70S LONG TABLE | 505796 | 1 |
| | BOARD RETURN ASSEMBLY - LT70S LONG TABLE | 505795 | 1 |
| 1 | TABLE, M FRAME LONG See Section 8.15 | 502539 | 1 |
| 2 | WASHER, 10.5 FLAT ZINC | F81055-1 | 8 |
| 3 | BRACKET, BOARD RETURN TABLE | 501978-1 | 1 |
| 4 | WASHER, 8.4 FLAT ZINC | F81054-1 | 8 |
| 5 | NUT, M8-8-B HEX NYLON ZINC LOCK | F81032-2 | 5 |
| 6 | BOLT, M8x25-8.8-B HEX HEAD FULL THREAD ZINC | F81002-5 | 4 |
| 7 | NUT, M10 NYLON HEX ZINC LOCK | F81033-1 | 4 |
| 8 | PLATE, OUTFEED TABLE FRONT | 505794-1 | 1 |
| 9 | BOLT, M10x25-8.8 HEX HEAD FULL THREAD ZINC | F81003-11 | 4 |
| 10 | BOARD RETURN ASSEMBLY See Section 4.3 | 092757 | 1 |
| 11 | WASHER, 10.5 FLAT ZINC | F81055-1 | 8 |
| 12 | NUT, M8-8-B HEX NYLON ZINC LOCK | F81032-2 | 6 |
| 13 | BOLT, M10X125-8.8 HEX HEAD ZINC | F81003-18 | 1 |
| 14 | BOLT, M10x30-5.8 HEX HEAD FULL THREAD ZINC | F81003-2 | 1 |
| 15 | BRACKET, TABLE LONG M-TYPE | 506172-1 | 1 |
| 16 | COVER, HYDRAULIC HOSE - SPECIAL | 502500-1 | 1 |
| | COVER, HYDRAULIC HOSE - COMPLETE | 504262 | 1 |

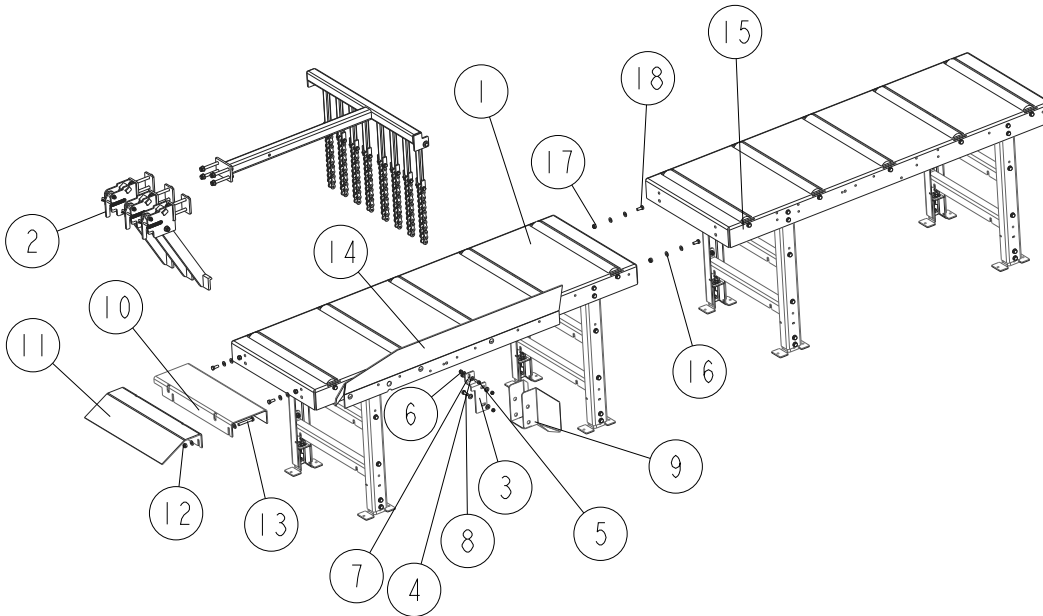
| | | | | |
|----|---|-----------|---|--|
| 17 | PLATE, HYDRAULIC HOSE COVER | 504261-1 | 1 | |
| 18 | COVER, 80 MM RUBBER 8 | 089293 | 2 | |
| 19 | WASHER, 6.4 FLAT ZINC | F81053-1 | 8 | |
| 20 | NUT, M6-8-B HEX NYLON LOCK ZINC | F81031-2 | 4 | |
| 21 | BOLT M6X16 -8.8 HEX HEAD FULL THREAD ZINC | F81001-32 | 4 | |
| 22 | WASHER, 8.4 FLAT ZINC | F81054-1 | 5 | |
| 23 | BOLT, M10x25-8.8 HEX HEAD FULL THREAD ZINC | F81003-11 | 2 | |
| 24 | BOLT, M8x25-8.8-B HEX HEAD FULL THREAD ZINC | F81002-5 | 3 | |
| 25 | BRACKET, S-TYPE FRAME LONG TABLE | 506171-1 | 1 | |
| 26 | MOUNT, HYDRAULIC BOX | 513155-1 | 1 | |

8.15 Board Return Assembly - LT70M-ST Dual Table



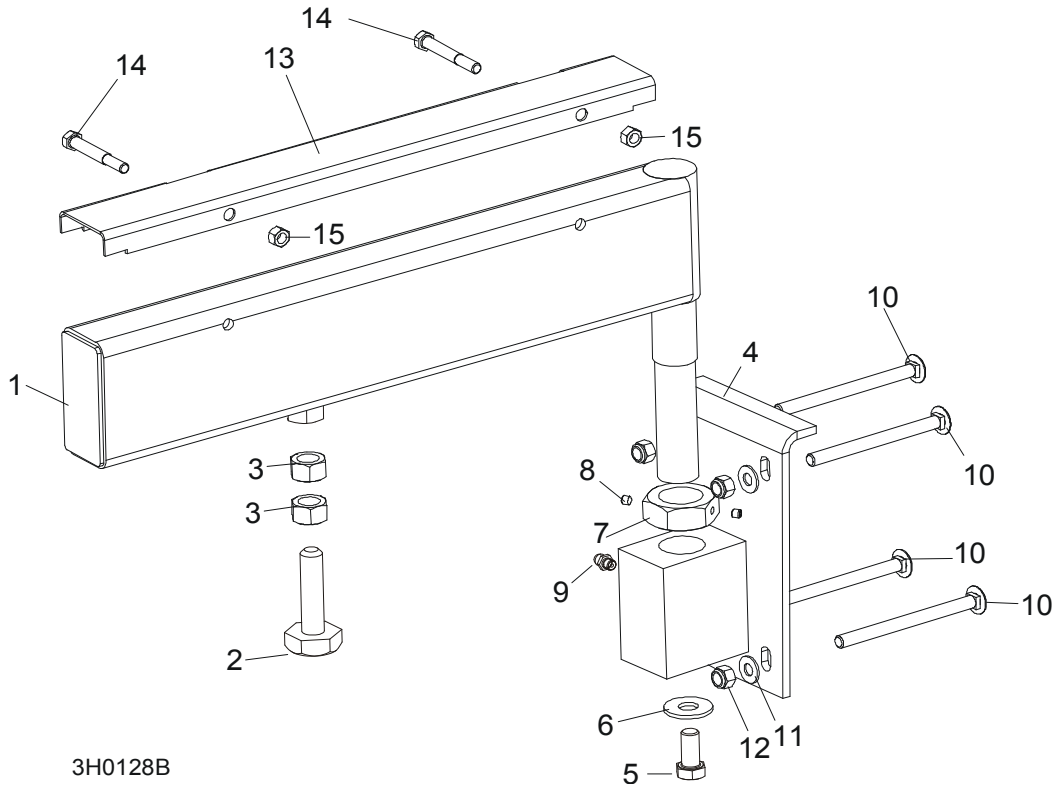
| REF. | DESCRIPTION (◆ Indicates Parts Available in Assemblies Only) | PART # | QTY |
|------|--|-----------|-----|
| | TABLE, LT70M-ST DUAL | 520627 | |
| | BOARD RETURN ASSEMBLY - LT70M-ST LONG TABLE | 520626 | |
| 1 | TABLE, "M" FRAME LONG (See Section 8.11) | 501975 | 1 |
| 2 | BOARD RETURN ASSEMBLY (See Section 4.3) | 092757 | 1 |
| 3 | BRACKET, "M" FRAME LONG TABLE | 502519-1 | 1 |
| 4 | WASHER, 8.4 FLAT ZINC | F81054-1 | 4 |
| 5 | BOLT, M8x25-8.8-B HEX HEAD FULL THREAD ZINC | F81002-5 | 1 |
| 6 | NUT, M8 8 HEX NYLON ZINC LOCK | F81032-2 | 5 |
| 7 | PLATE, LEG CONNECTION | 502520-1 | 1 |
| 8 | WASHER, 10.5 FLAT ZINC | F81055-1 | 8 |
| 9 | BOLT, M10x125 8.8 HEX HEAD ZINC | F81003-18 | 1 |
| 10 | BOLT, M10x30 5.8 HEX HEAD FULL THREAD ZINC | F81003-2 | 1 |
| 11 | BOLT, M10x25 8.8 HEX HEAD FULL THREAD ZINC | F81003-11 | 2 |
| 12 | GUARD, HYDRAULIC HOSE | 502500-1 | 1 |
| 13 | TABLE, "M" FRAME LONG See Section 8.13 | 502539 | 1 |
| 14 | WASHER, 10.5 FLAT ZINC | F81055-1 | 4 |
| 15 | NUT, M10-8-B HEX NYLON ZINC LOCK | F81033-1 | 2 |
| 16 | BOLT, M10x25 8.8 HEX HEAD FULL THREAD ZINC | F81003-11 | 2 |

8.16 Board Return Assembly - LT70M-ST AH4-7/DH4-7 Dual Table



| REF. | DESCRIPTION (◆ Indicates Parts Available in Assemblies Only) | PART # | QTY |
|------|--|-----------|-----|
| | TABLE, LT70M-ST AH/DH4-7 DUAL | 520635 | |
| | TABLE, LT70M-ST AH/DH4-7 LONG | 520634 | |
| 1 | TABLE, "M" FRAME LONG See Section 8.13 | 502539 | |
| 2 | BOARD RETURN ASSEMBLY See Section 4.3 | 092757 | |
| 3 | BRACKET, "M" FRAME LONG TABLE | 502519-1 | |
| 4 | BOLT, M8X25-8.8-B HEX HEAD FULL THREAD ZINC | F81054-1 | |
| 5 | NUT, M8 8 HEX NYLON ZINC LOCK | F81002-5 | |
| 6 | WASHER, 10.5 FLAT ZINC | F81032-2 | |
| 7 | BOLT, M10X25 8.8 HEX HEAD FULL THREAD ZINC | F81055-1 | |
| 8 | BOLT, M10X25-8.8 HEX HEAD FULL THREAD ZINC | F81003-11 | |
| 9 | GUARD, HYDRAULIC HOSE | 502500-1 | |
| 10 | PLATE, AH4-7 "M" FRAME TABLE | 512575-1 | |
| 11 | PLATE, BOARD REMOVAL | 099953-1 | |
| 12 | NUT, M10-8-B HEX NYLON ZINC LOCK | F81033-1 | |
| 13 | BOLT, M10x75-8.8 HEX HEAD ZINC | F81003-15 | |
| 14 | PLATE, TABLE SIDE | 501978-1 | |
| 15 | TABLE, "M" FRAME TABLE LONG See Section 8.13 | 502539 | |
| 16 | WASHER, 10.5 FLAT ZINC | F81055-1 | |
| 17 | NUT, M10-8-B HEX NYLON ZINC LOCK | F81033-1 | |
| 18 | BOLT, M10X25-8.8 HEX HEAD FULL THREAD ZINC | F81003-11 | |

8.17 Pivot Bed Rail Assembly



3H0128B

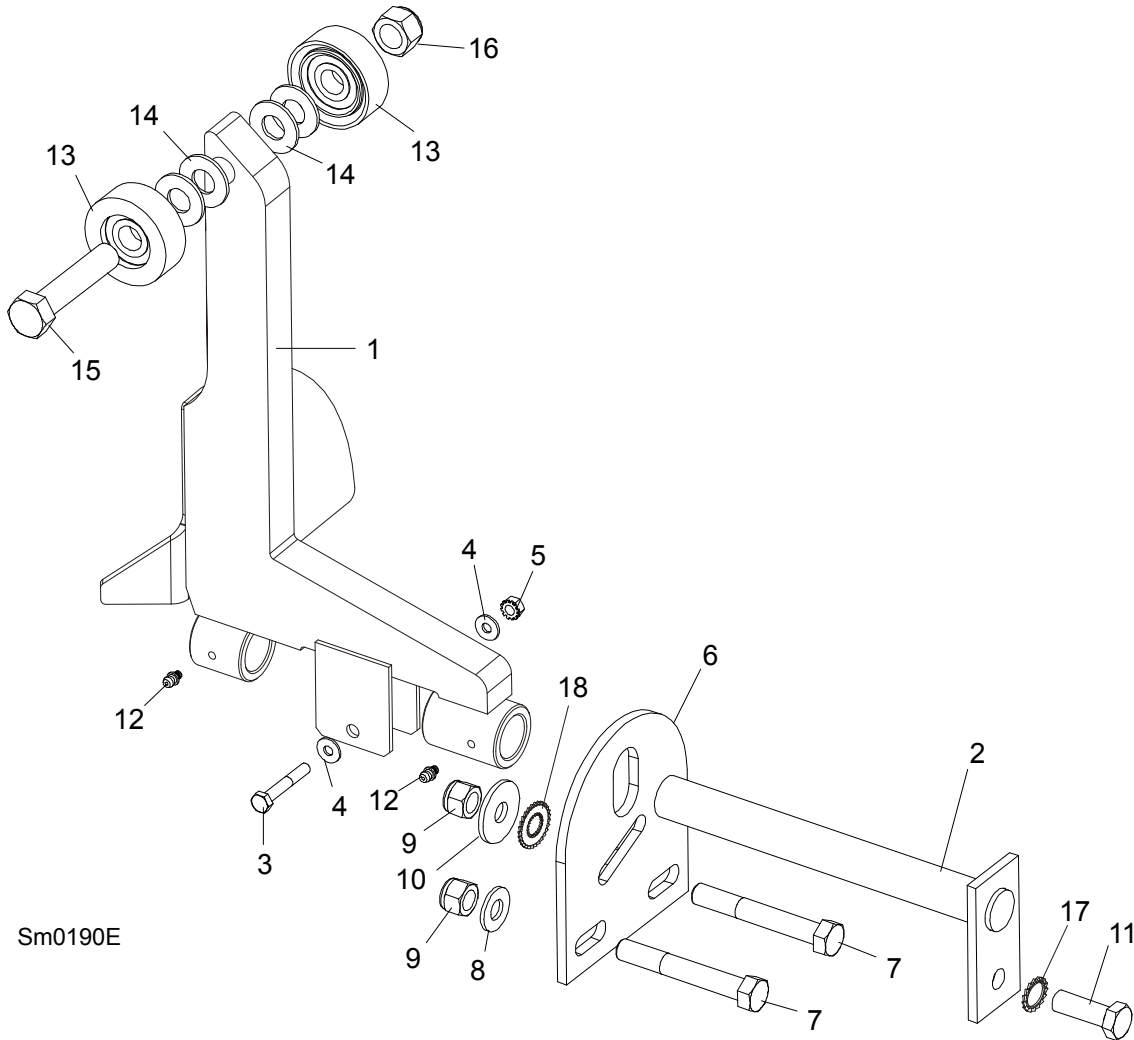
| REF. | DESCRIPTION (◆ Indicates Parts Available In Assemblies Only) | PART # | QTY |
|------|--|------------|-----|
| | PIVOT BED RAIL ASSEMBLY | 087829 | 2 |
| | PIVOT BED RAIL ASSEMBLY | 087855 | 2 |
| 1 | Pivot Bed Rail Weldment | 087852 | 1 |
| | Pivot Bed Rail Weldment | 087848 | 1 |
| | Bolt Assembly, Bed Rail Adjustment | | 1 |
| 2 | Bolt, Bed Rail Adjustment | 505006 | 1 |
| 3 | Nut, M16-5.8 Hex Zinc | F81036-1 | 2 |
| 4 | Bracket, Pivot Rail Mounting | 087841-1 | 1 |
| 5 | Bolt, M12x25-8.8 Hex Head Full Thread Zinc | F81004-31 | 1 |
| 6 | Washer, 15 Flat | F05011-52 | 1 |
| 7 | Nut, M32x2-04-B Zinc | 087975 | 1 |
| 8 | Screw, 1/4-28 x 1/4" Brass Tip Set | F05005-42 | 2 |
| 9 | Fitting, 3/16" Grease | 086280 | 1 |
| 10 | BOLT, 3M10 X 120-8.8 CARRIAGE | F81003-14 | 2 |
| 11 | BOLT, 3/8-16 X 5" CARRIAGE | F05007-113 | 6 |
| 12 | WASHER, 10.5 FLAT ZINC | F81055-1 | 8 |
| 13 | NUT, M16-8 HEX NYLON ZINC LOCK | F81036-2 | 8 |
| | COVER KIT, PIVOT RAIL STAINLESS STEEL | 015926 | 2 |
| | COVER KIT, PIVOT RAIL STAINLESS STEEL | N/A | 2 |
| 14 | Cover, Stainless Steel Pivot Bed Rail | 012994 | 1 |
| | Cover, Stainless Steel Pivot Bed Rail | 099123 | 1 |
| 15 | Bolt, M8x65-5.8 Hex Head Zinc | F81002-3 | 4 |
| 16 | Nut, M8-8-B Hex Nylon Zinc Lock | F81032-2 | 4 |

8 Bed Frame Assembly

Log Side Support Assembly (Manual)

| | | | |
|---|--------|---|--|
| WRENCH, BED RAIL ADJUSTMENT (See Section 8.4) | 015970 | 1 | |
|---|--------|---|--|

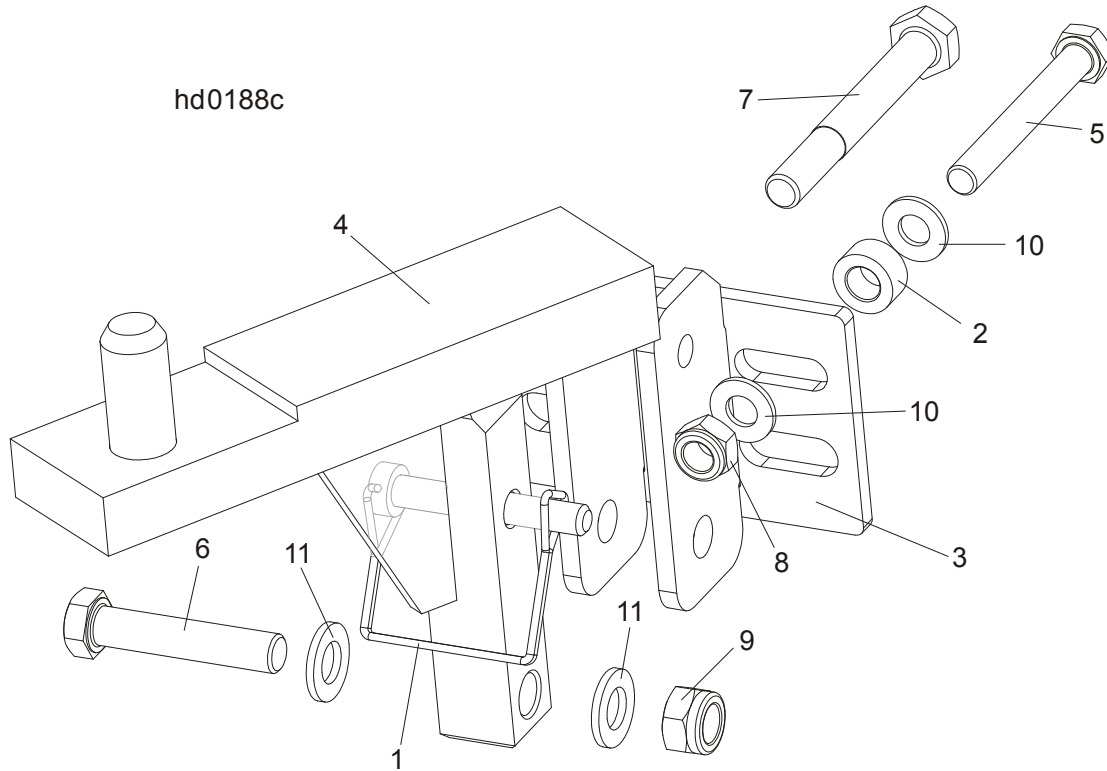
8.18 Log Side Support Assembly (Manual)



| REF. | DESCRIPTION (◆ Indicates Parts Available In Assemblies Only) | PART # | QTY |
|------|--|-----------|-----|
| 1 | SUPPORT, LOG SIDE W/GUARD | 099785-1 | 1 |
| 2 | PIN, LOG SIDE SUPPORT PIVOT | 091549-1 | 1 |
| 3 | BOLT, M8X45-8.8 HEX HEAD FULL THREAD ZINC | F81002-14 | 1 |
| 4 | WASHER, 8.4 FLAT ZINC | F81054-1 | 2 |
| 5 | NUT, M8-8-B HEX NYLON ZINC LOCK | F81032-2 | 1 |
| 6 | PLATE, LOG SIDE SUPPORT END | 091591-1 | 1 |
| 7 | BOLT, M12 X 90-8.8 HEX HEAD ZINC | F81004-2 | 2 |
| 8 | WASHER, 13 FLAT ZINC | F81056-1 | 2 |
| 9 | NUT, M12-8 HEX NYLON ZINC LOCK | F81034-2 | 3 |
| 10 | WASHER, .5" X 1.63" X 11" GA. | 086184 | 1 |
| 11 | BOLT, M12 X 35-8.8 HEX HEAD FULL THREAD ZINC | F81004-24 | 1 |
| 12 | FITTING, 3/16" GREASE | P04107 | 2 |
| 13 | ROLLER ASSEMBLY, SIDE SUPPORT | 015014-1 | 2 |
| 14 | WASHER, 17 FLAT ZINC | F81058-1 | 2 |
| 15 | BOLT, M16X65-8.8-B HEX HEAD FULL THREAD ZINC | F81006-1 | 1 |

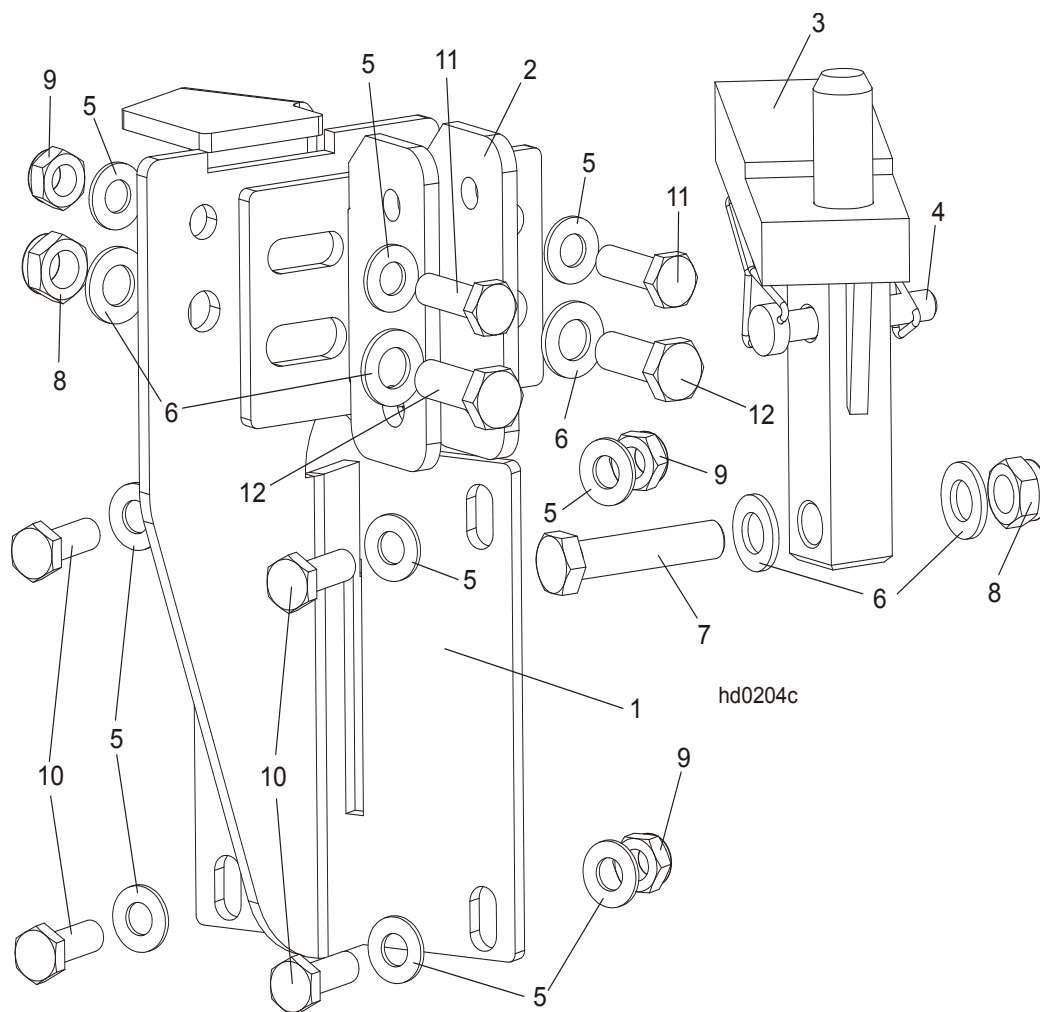
| | | | | |
|----|---|------------|---|--|
| 16 | NUT, M16-8 HEX NYLON ZINC LOCK | F81036-2 | 1 | |
| 17 | WASHER, SPECIAL BOSART/2S, BN781 M12/13 | F81056-16 | 1 | |
| 18 | WASHER, SPECIAL BOSART/2S M12/12.3/30.3 | F81056-17 | 1 | |
| | INSTRUCTION SHEET, SIDE SUPPORT ROLLER | 015109-526 | 1 | |

8.19 LT40/70 S/M/Super Saw Head Rest Pin Assembly



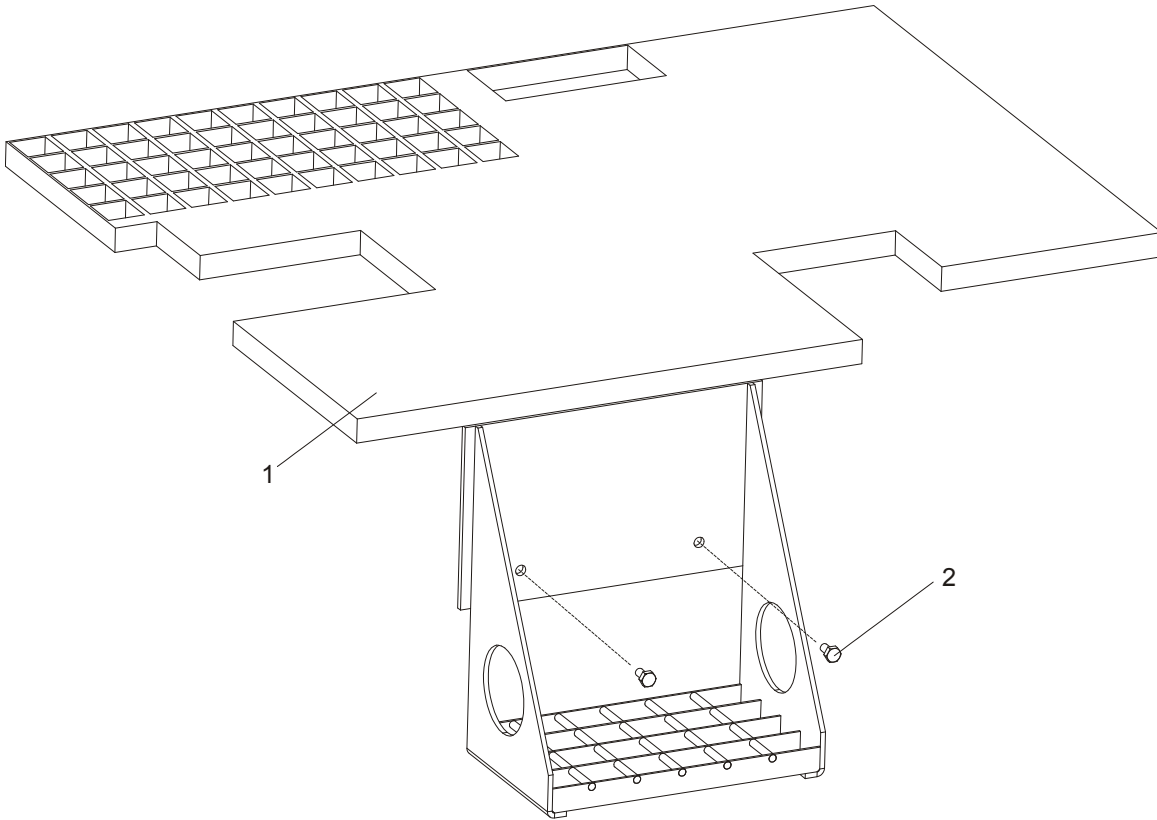
| REF. | DESCRIPTION (◆ Indicates Parts Available In Assemblies Only) | PART# | QTY | |
|------|--|-----------|-----|--|
| | SAW HEAD REST PIN W/LATCH CLAMP, LT70S/M | 094660 | 1 | |
| 1 | PIN, 3/8 x 2 1/4 SQ WIRE LOCK | 014151 | 1 | |
| 2 | BUSHING, ZINC-PLATED SPACER | 090936-1 | 1 | |
| 3 | BRACKET, LT40 SAW HEAD REST PIN MOUNT | 092765-1 | 1 | |
| 4 | PIN WLDMT, LT70S/M SAW HEAD REST | 094658-1 | 1 | |
| 5 | BOLT, M10 X 80 -8.8- FE/ZN5 HEX HEAD | F81003-50 | 1 | |
| 6 | BOLT, M12x60-8.8 HEX HEAD ZINC | F81004-5 | 1 | |
| 7 | BOLT, M12x95-8.8 HEX HEAD ZINC-PLATED | F81004-29 | 1 | |
| 8 | NUT, M10-8-B HEX NYLON ZINC LOCK | F81033-1 | 1 | |
| 9 | NUT, M12-8 HEX NYLON ZINC LOCK | F81034-2 | 1 | |
| 10 | WASHER, 10.5 FLAT ZINC | F81055-1 | 2 | |
| 11 | WASHER, 13 FLAT ZINC | F81056-1 | 2 | |

8.20 LT70MD42SDH7-2.6 Saw Head Rest Support



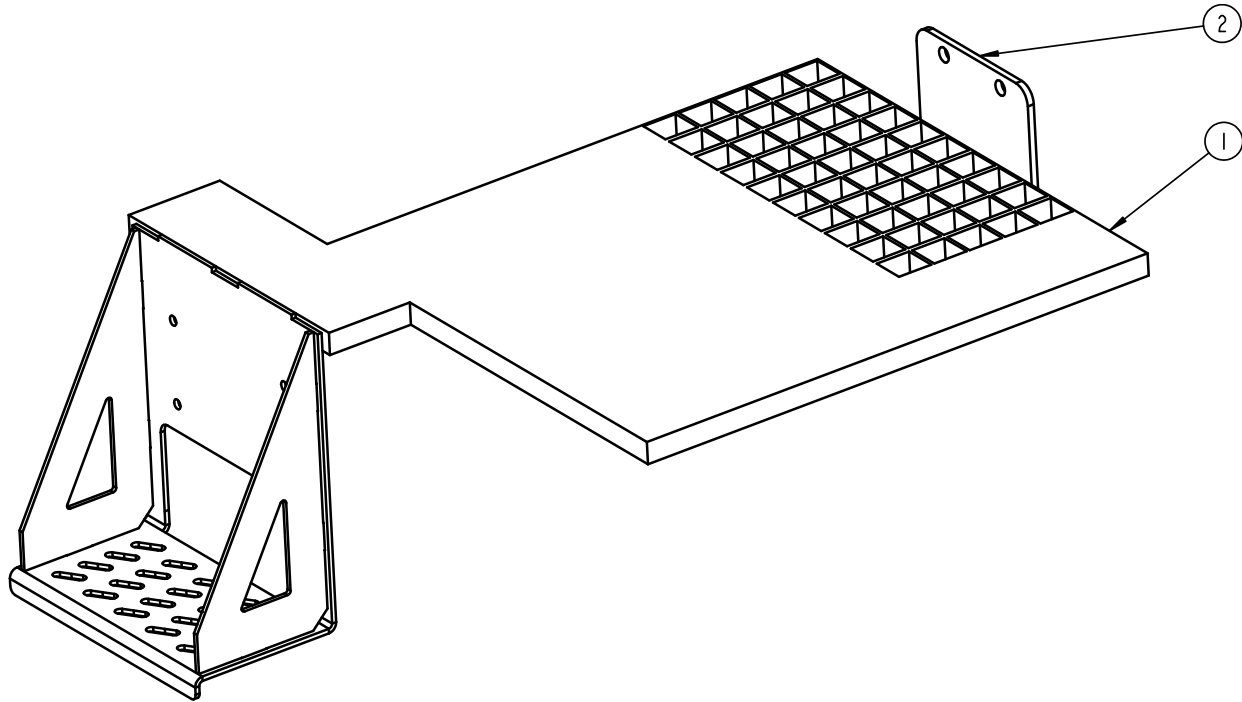
| REF. | DESCRIPTION (◆ Indicates Parts Available In Assemblies Only) | PART # | QTY |
|------|--|-----------|-----|
| | SUPPORT, LT70MD42SDH7-2.6 SAW HEAD REST - COMPLETE | 502712 | 1 |
| 1 | SUPPORT, LT70MD42SDH7-2.6 SAW HEAD REST | 502711-1 | 1 |
| 2 | BRACKET, LT40 SAW HEAD REST PIN MOUNT | 092765-1 | 1 |
| 3 | PIN WLDMT, LT70S/M SAW HEAD REST | 094658-1 | 1 |
| 4 | PIN, 3/8 X 2 1/4 SQ WIRE LOCK | 014151 | 1 |
| 5 | WASHER, 10.5 FLAT ZINC | F81055-1 | 12 |
| 6 | WASHER, 13 FLAT ZINC | F81056-1 | 6 |
| 7 | BOLT, M12x60-8.8 HEX HEAD ZINC | F81004-5 | 1 |
| 8 | NUT, M12-8 HEX NYLON ZINC LOCK | F81034-2 | 3 |
| 9 | NUT, M10-8-B HEX NYLON ZINC LOCK | F81033-1 | 6 |
| 10 | BOLT, M10x30-5.8 HEX HEAD FULL THREAD ZINC | F81003-2 | 4 |
| 11 | BOLT, M10x35-8.8 HEX HEAD FULL THREAD ZINC | F81003-17 | 2 |
| 12 | BOLT, M12 X 35-8.8 HEX HEAD FULL THREAD ZINC | F81004-24 | 2 |

8.21 Inspection Platform



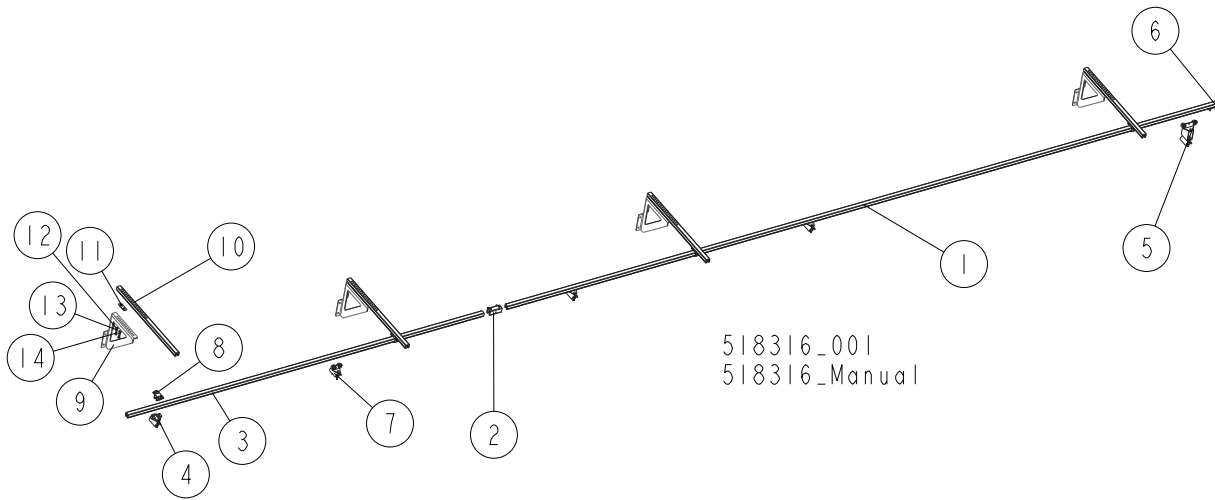
| REF | DESCRIPTION (◆ Indicates Parts Available In Assemblies Only) | PART # | QTY. | |
|----------|--|-----------|------|--|
| | PLATFORM, INSPECTION - COMPLETE | 093062 | 1 | |
| 1 | PLATFORM, INSPECTION | 093061-1 | 1 | |
| 2 | BOLT, 1/4-20 X 1/2 HEX HEAD | F05005-15 | 2 | |

8.22 Inspection Platform for M Frame with Power Roller



| REF. | DESCRIPTION (◆ Indicates Parts Available In Assemblies Only) | PART # | QTY | |
|------|--|----------|-----|--|
| | ASSEMBLY PLATFORM INSPECTION FRAME "M" POWER ROLLER | 506379 | 1 | |
| 1 | PLATFORM, INSPECTION, FRAME "M" | 506046-1 | 1 | |
| 2 | ANGLE BRACKET PLATFORM | 506332-1 | 1 | |

8.23 Wall Mount Remote Set (Cutting Length of 6.5 m)

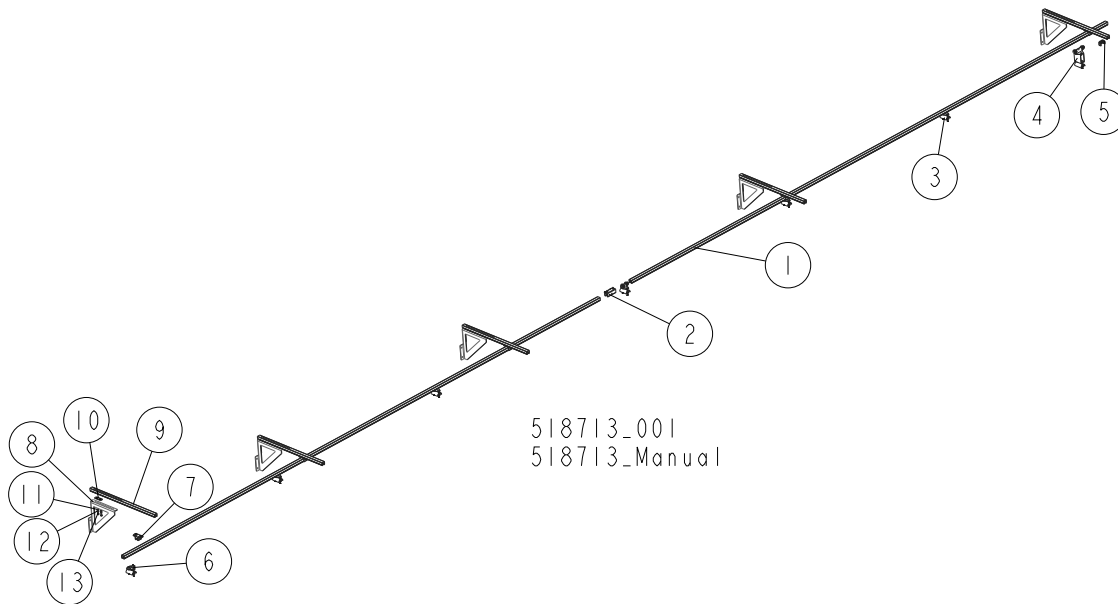


| REF. | DESCRIPTION (◆ Indicates Parts Available in Assemblies Only) | PART# | QTY |
|------|--|---------------|----------|
| | REMOTE SET - MOUNTED ON SIDE WALL (CUTTING LENGTH OF 6.5 M) | 518316 | 1 |
| | RAIL, COMPLETE GUIDE (CUTTING LENGTH OF 6.5 M) | 518315 | 1 |
| 1 | RAIL, 6 M C-PROFILE | 518332 | 1 |
| 2 | COUPLER, TRACK | 518705 | 1 |
| 3 | RAIL, 3 M C-PROFILE | 518313 | 1 |
| 4 | CLAMP, END (FOR FLAT CABLES) | 518701 | 1 |
| 5 | TROLLEY, 62200420 TOWING | 518334 | 1 |
| 6 | STOPPER (#62200425) | 518700 | 1 |
| 7 | TRAILER, CABLE | 518333 | 3 |
| 8 | BRACKET, RAIL (MOUNTED W/BOLTS & NUTS) | 518702 | 4 |
| | BRACKET KIT, WALL MOUNT | 518724 | 4 |
| 9 | BRACKET, WALL MOUNT | 518728-1 | 1 |
| 10 | ARM, EXTENSION | 518709 | 1 |
| 11 | PLATE, ARM CLAMP | 518885-1 | 1 |
| 12 | WASHER, 8.4 FLAT ZINC | F81054-1 | 2 |
| 13 | WASHER, 8.2 SPLIT LOCK ZINC | F81054-4 | 2 |
| 14 | BOLT, M8X16-8.8-B HEX HEAD FULL THREAD ZINC | F81002-20 | 2 |

8 Bed Frame Assembly

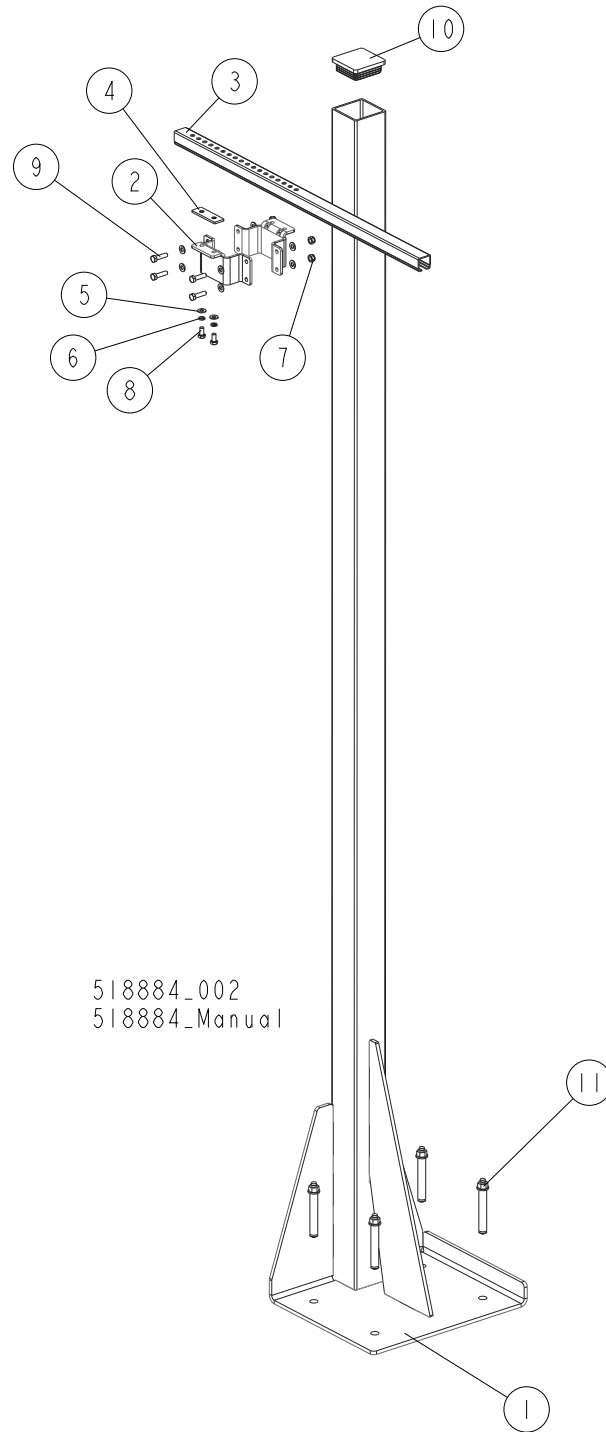
Wall Mount Remote Set (Cutting Length of 6.5-10 m)

8.24 Wall Mount Remote Set (Cutting Length of 6.5-10 m)



| REF. | DESCRIPTION (◆ Indicates Parts Available in Assemblies Only) | PART# | QTY |
|------|--|----------|-----|
| | REMOTE SET, WALL MOUNT (CUTTING LENGTH OF 6.5-10 M) | 518713 | 1 |
| | RAIL, COMPLETE GUIDE (CUTTING LENGTH OF 6.5-10 M) | 518704 | 1 |
| 1 | RAIL, 6 M C-PROFILE | 518332 | 2 |
| 2 | COUPLER, TRACK | 518705 | 1 |
| 3 | TRAILER, CABLE | 518333 | 5 |
| 4 | TROLLEY, 62200420 TOWING | 518334 | 1 |
| 5 | STOPPER (#62200425) | 518700 | 1 |
| 6 | CLAMP, END (FOR FLAT CABLES) | 518701 | 1 |
| 7 | BRACKET, RAIL (MOUNTED W/BOLTS & NUTS) | 518702 | 5 |
| 8 | BRACKET KIT, WALL MOUNT | 518724 | 5 |
| 9 | BRACKET, WALL MOUNT | 518728-1 | 1 |
| 10 | ARM, EXTENSION | 518709 | 1 |
| 11 | PLATE, ARM CLAMP | 518885-1 | 1 |
| 12 | WASHER, 8.4 FLAT ZINC | F81054-1 | 2 |
| 13 | WASHER, 8.2 SPLIT LOCK ZINC | F81054-4 | 2 |

8.25 Remote Set Post



| REF. | DESCRIPTION (◆ Indicates Parts Available in Assemblies Only) | PART# | QTY |
|------|--|---------------|----------|
| | POST ASSEMBLY, REMOTE SET | 518736 | 1 |
| 1 | POST | 518707-1 | 1 |
| 2 | WRAP, 80X80 POST TUBE | 518725-1 | 2 |
| 3 | ARM, EXTENSION | 518709 | 1 |
| 4 | PLATE, ARM CLAMP | 518885-1 | 1 |

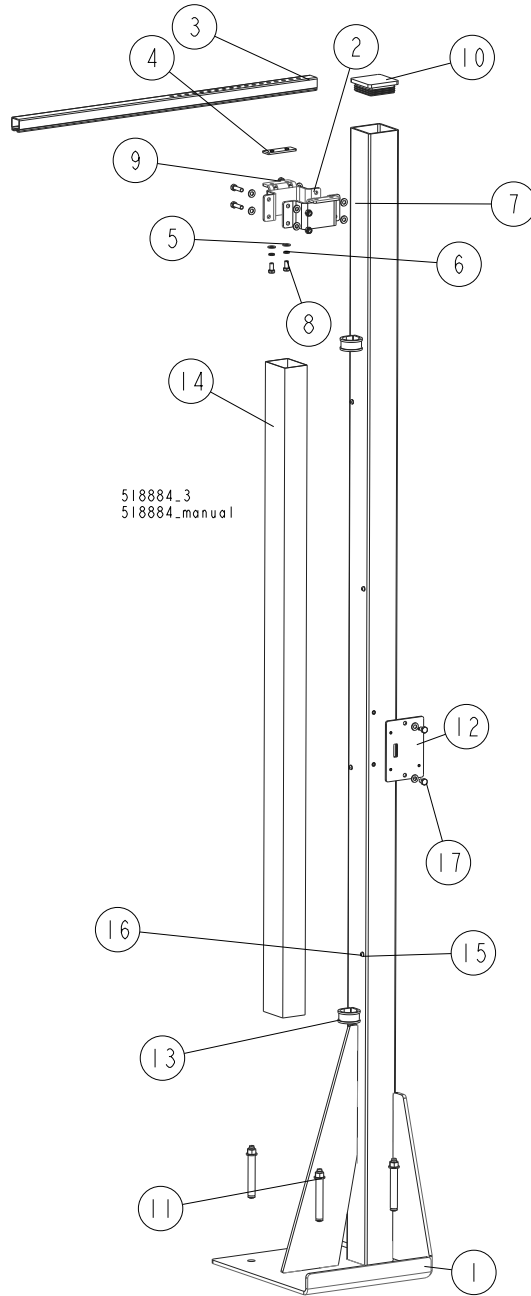


Bed Frame Assembly

Remote Set Post

| REF. | DESCRIPTION (◆ Indicates Parts Available in Assemblies Only) | PART# | QTY |
|------|--|-----------|-----|
| 5 | WASHER, 8.4 FLAT ZINC | F81054-1 | 10 |
| 6 | WASHER, 8.2 SPLIT LOCK ZINC | F81054-4 | 2 |
| 7 | NUT, M8 8 HEX NYLON ZINC LOCK | F81032-2 | 4 |
| 8 | BOLT, M8X16-8.8-B HEX HEAD FULL THREAD ZINC | F81002-20 | 2 |
| 9 | BOLT, M8X30-5.8-B HEX HEAD FULL THREAD ZINC | F81002-2 | 4 |
| 10 | CAP, 80X80 GR 2-4 #111227 TUBE END | 089644 | 1 |
| 11 | BOLT, LT 16X120 ANCHOR | 501877 | 4 |

8.26 Guide Rail Support Post



518884_3
 518884_manual

| REF. | DESCRIPTION (◆ Indicates Parts Available In Assemblies Only) | PART # | QTY |
|------|--|---------------|----------|
| | POST, GUIDE RAIL SUPPORT - COMPLETE | 520669 | 1 |
| 1 | POST WELDMENT W/HOLES | 520667-1 | 1 |
| 2 | BRACKET, 80X80 TUBE WRAP | 518725-1 | 2 |
| 3 | ARM, RAIL BRACKET | 518709 | 1 |
| 4 | PLATE, ARM CLAMP | 518885-1 | 1 |

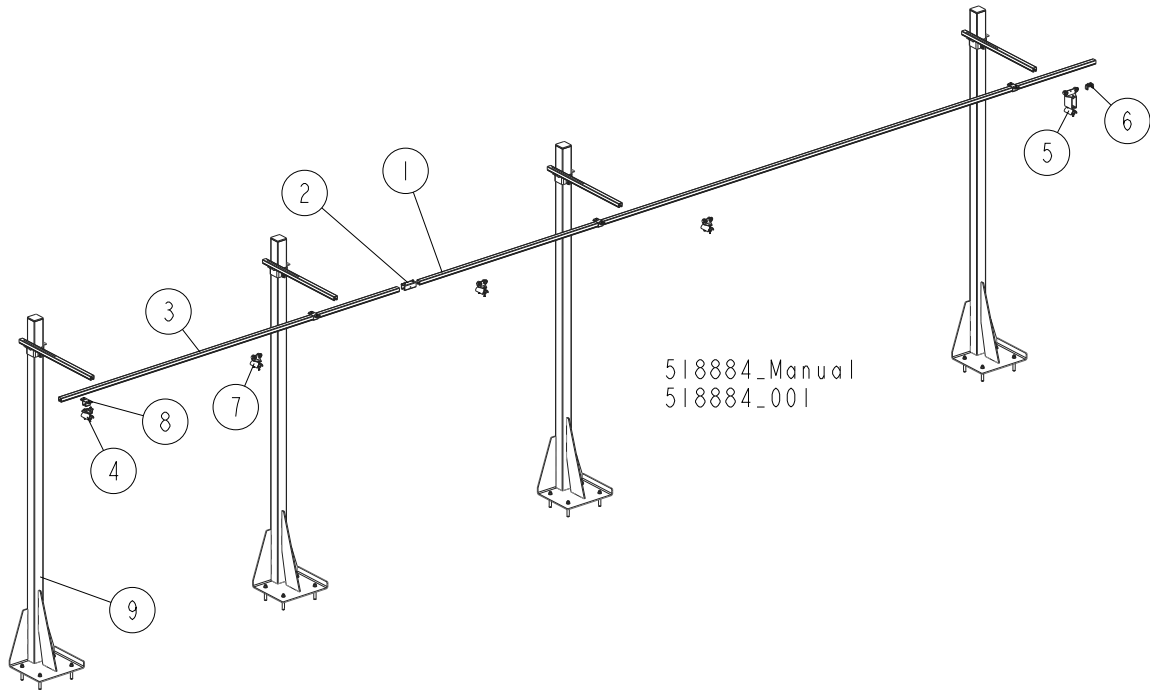


Bed Frame Assembly

Guide Rail Support Post

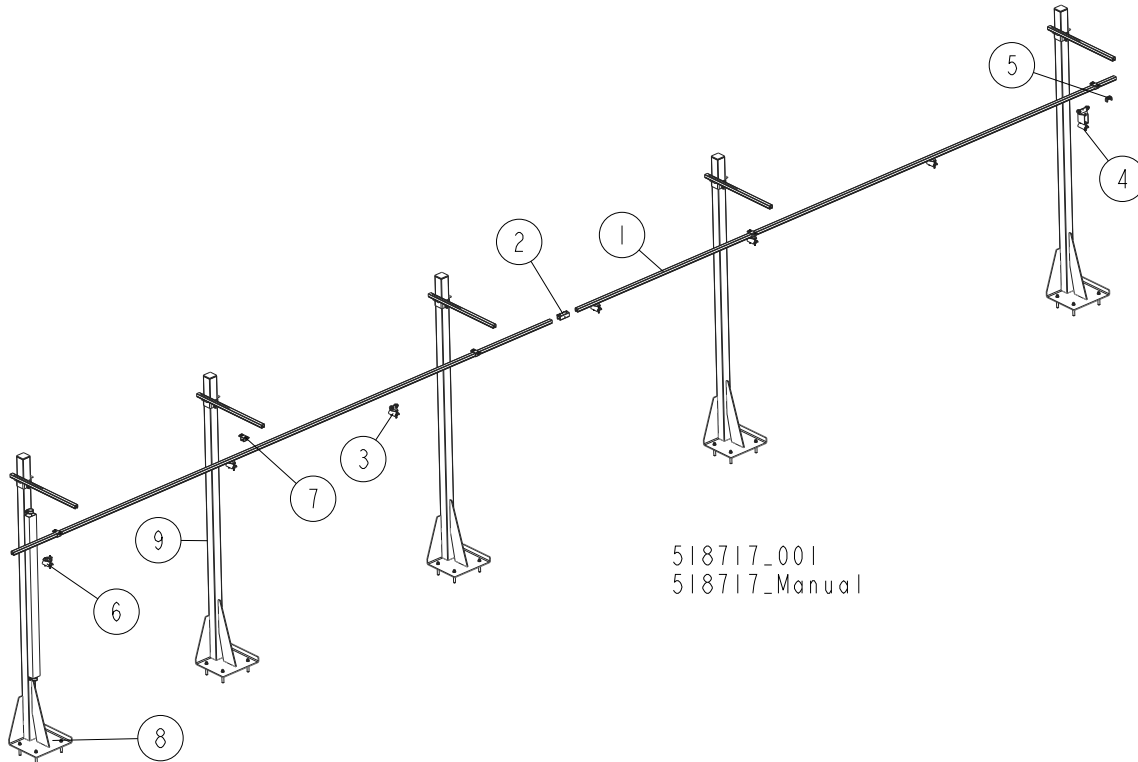
| REF. | DESCRIPTION (◆ Indicates Parts Available In Assemblies Only) | PART # | QTY |
|------|--|-----------|-----|
| 5 | WASHER, 8.4 FLAT ZINC | F81054-1 | 14 |
| 6 | WASHER, 8.2 SPLIT LOCK ZINC | F81054-4 | 2 |
| 7 | NUT, M8 8 HEX NYLON ZINC LOCK | F81032-2 | 4 |
| 8 | BOLT, M8X16-8.8-B HEX HEAD FULL THREAD ZINC | F81002-20 | 4 |
| 9 | BOLT, M8X30-5.8-B HEX HEAD FULL THREAD ZINC | F81002-2 | 4 |
| 10 | CAP, 80X80 GR 2-4 #111227 TUBE END | 089644 | 1 |
| 11 | PIN, LT 16X120 | 501877 | 4 |
| 12 | PLATE, SOCKET MOUNT | 517664-1 | 1 |
| 13 | CLAMP, RSGU 1.42/20 W1 METAL & RUBBER | F81087-3 | 2 |
| 14 | DUCT, CABLE | 520670 | 1 |
| 15 | WASHER, 5.3 FLAT ZINC | F81052-1 | 4 |
| 16 | SCREW, M5X10-8.8 CROSS RECESSED PAN HEAD ZINC | F81000-13 | 4 |
| 17 | BOLT, M8X12-8.8 HEX HEAD FULL THREAD ZINC | F81002-6 | 2 |

8.27 4-Post Remote Set



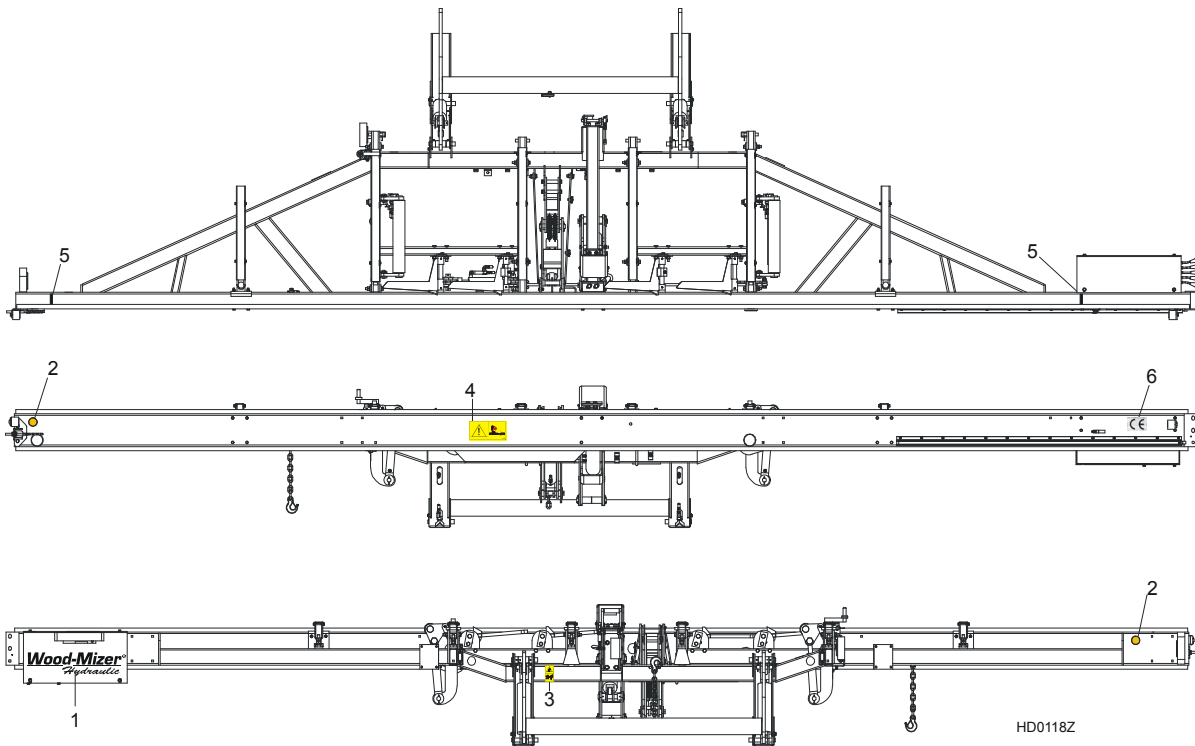
| REF. | DESCRIPTION (◆ Indicates Parts Available In Assemblies Only) | PART # | QTY |
|-----------|--|---------------|----------|
| | REMOTE SET, 4-POST | 518884 | 1 |
| | RAIL, COMPLETE GUIDE (CUTTING LENGTH OF 6.5M) | 518315 | 1 |
| 1 | RAIL, 6 M C-PROFILE | 518332 | 1 |
| 2 | COUPLER, TRACK | 518705 | 1 |
| 3 | RAIL, 3 M C-PROFILE | 518313 | 1 |
| 4 | CLAMP, FLAT CABLE - END | 518701 | 1 |
| 5 | TROLLEY, TOWING | 518334 | 1 |
| 6 | STOP, END | 518700 | 1 |
| 7 | TROLLEY, CABLE MOVING | 518333 | 3 |
| 8 | BRACKET, BOLT-ON | 518702 | 4 |
| 9 | POST, GUIDE RAIL SUPPORT - COMPLETE See Section 8.18 | 520669 | 1 |
| 10 | POST, GUIDE RAIL SUPPORT - COMPLETE See Section 8.17 | 518736 | 3 |

8.28 5-Post Remote Set



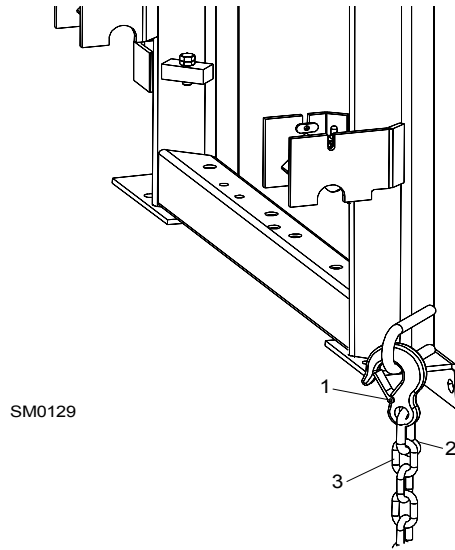
| REF. | DESCRIPTION (◆ Indicates Parts Available In Assemblies Only) | PART # | QTY |
|------|--|---------------|----------|
| | REMOTE SET, 5-POST | 518717 | 1 |
| | RAIL, COMPLETE GUIDE (CUTTING LENGTH OF 6.5-10 M) | 518704 | 1 |
| 1 | RAIL, 6 M C-PROFILE | 518332 | 2 |
| 2 | COUPLER, TRACK | 518705 | 1 |
| 3 | TROLLEY, CABLE MOVING | 518333 | 5 |
| 4 | TROLLEY, TOWING | 518334 | 1 |
| 5 | STOP, END | 518700 | 1 |
| 6 | CLAMP, FLAT CABLE - END | 518701 | 1 |
| 7 | BRACKET, BOLT-ON | 518702 | 5 |
| 8 | POST, GUIDE RAIL SUPPORT - COMPLETE See Section 8.18 | 520669 | 1 |
| 9 | POST, GUIDE RAIL SUPPORT - COMPLETE See Section 8.17 | 518736 | 4 |

8.29 Bed Frame Decals



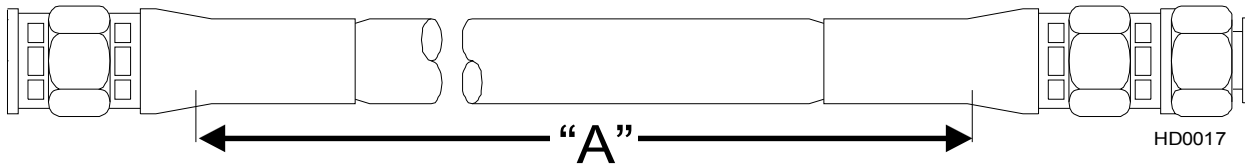
| REF. | DESCRIPTION (◆ Indicates Parts Available In Assemblies Only) | PART # | QTY |
|------|--|--------|-----|
| 1 | DECAL, WOOD-MIZER SUPER HYDRAULIC LOGO | 014168 | 1 |
| 2 | DECAL, AMBER REFLECTIVE 2" ROUND | P07453 | 2 |
| 3 | DECAL, KEEP AWAY DANGER, PICTOGRAM | 099221 | 1 |
| 4 | DECAL, SAWMILL TRAILER CAUTION, PICTOGRAM | 099542 | 1 |
| 5 | DECAL, LOG LIMIT STRIPE | S12051 | 2 |
| 6 | DECAL, CE CERTIFIED SAWMILL, SMALL | P85070 | 1 |

8.30 Tie Down Chain Assembly



| REF. | DESCRIPTION (◆ Indicates Parts Available In Assemblies Only) | PART # | QTY |
|------|--|----------|-----|
| | CHAIN ASSEMBLY, TIE DOWN | A04376-1 | 1 |
| 1 | Hook, 5/8" Safety Chain | P12075 | 1 |
| 2 | Screw Closed Chain Link, 10 | 100767 | 1 |
| 3 | Chain, N-10 x 35, 6 Links | 100951 | 1 |

8.31 HYDRAULIC SYSTEM Hydraulic Hoses



| Color Code | LENGTH "A" [m] | Application | Wood-Mizer Part No. |
|-------------|----------------|--|---------------------|
| None | 0.46 | 1/4" Hydraulic Pump To Valve | 015704 |
| None | 0.46 | 1/4" Hydraulic Pump To Valve | 015704 |
| Plain | 0.69 | 3/8" LOG TURNER CYLINDER BASE | 014796 |
| Orange | 0.53 | 3/8" LOG TURNER CYLINDER TOP | 087775 |
| Yellow | 2.66 | 1/4" FRONT TOE BOARD TOP (LT40S) | 087790 |
| | 3.81 | 1/4" FRONT TOE BOARD TOP (LT40M) | 087776 |
| Gray | 2.66 | 1/4" FRONT TOE BOARD BASE (LT40S) | 087790 |
| | 3.81 | 1/4" FRONT TOE BOARD BASE (LT40M) | 087776 |
| Plain | 4.21 | 3/8" SIDE SUPPORT CYLINDER TOP (LT40S) | 087791 |
| | 4.77 | 3/8" SIDE SUPPORT CYLINDER TOP (LT40M) | 087777 |
| Pink | 4.21 | 3/8" SIDE SUPPORT CYLINDER BASE (LT40S) | 087791 |
| | 4.77 | 3/8" SIDE SUPPORT CYLINDER BASE (LT40M) | 087777 |
| White | 3.68 | 3/8" CLAMP CYLINDER TOP (LT40S) | 087792 |
| | 3.98 | 3/8" CLAMP CYLINDER TOP (LT40M) | 087778 |
| Dark Orange | 3.27 | 3/8" CLAMP CYLINDER BASE (LT40S) | 087793 |
| | 3.83 | 3/8" CLAMP CYLINDER BASE (LT40M) | 087779 |
| Purple | 5.18 | 1/4" REAR TOE BOARD TOP (LT40S) | 087794 |
| | 5.74 | 1/4" REAR TOE BOARD TOP (LT40M) | 087780 |
| Black | 5.18 | 1/4" REAR TOE BOARD BASE (LT40S) | 087794 |
| | 5.74 | 1/4" REAR TOE BOARD BASE (LT40M) | 087780 |
| Green | 1.58 | 3/8" LOADING ARM BRANCH TOP | 014797 |
| Yellow | 1.60 | 3/8" LOADING ARM BRANCH BASE | 014798 |
| Yellow | 1.80 | 3/8" LOADING ARM BRANCH BASE | 093329 |
| Blue | 4.34 | 3/8" LOADING ARM CYLINDER TOP (LT40S) | 087795 |
| | 4.90 | 3/8" LOADING ARM CYLINDER TOP (LT40M) | 087781 |
| Red | 4.34 | 3/8" LOADING ARM CYLINDER BOTTOM (LT40S) | 087795 |
| | 4.90 | 3/8" LOADING ARM CYLINDER BOTTOM (LT40M) | 087781 |
| Green | 4.57 | 1/4" CLAMP UP (LT40S) | 087796 |
| | 5.13 | 1/4" CLAMP UP (LT40M) | 087789 |
| Yellow | 4.57 | 1/4" CLAMP DOWN (LT40S) | 087796 |
| | 5.13 | 1/4" CLAMP DOWN (LT40M) | 087789 |
| White | 4.00 | 1/4" FRONT LOG CLAMP, IN/OUT CYLINDER BOTTOM (A/DH5) | 094778 |

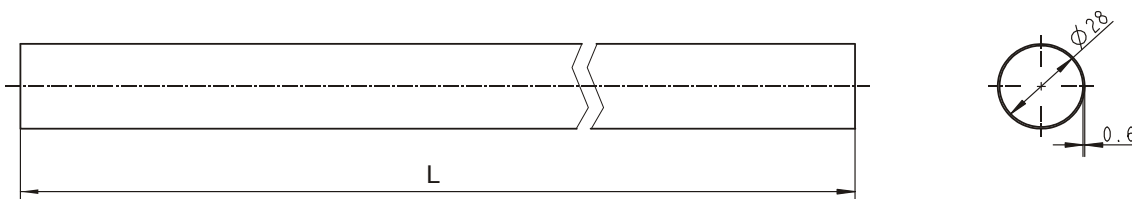
TABLE 8-1

HYDRAULIC SYSTEM Hydraulic Hoses

| | | | |
|--------|------|--|--------|
| Orange | 4.00 | 1/4" FRONT LOG CLAMP, IN/OUT CYLINDER TOP (A/DH5) | 094778 |
| Red | 3.80 | 1/4" FRONT LOG CLAMP, UP/DOWN CYLINDER BOTTOM (A/DH5) | 094779 |
| Blue | 3.80 | 1/4" FRONT LOG CLAMP, UP/DOWN CYLINDER TOP (A/DH5) | 094779 |
| White | 6.00 | 1/4" REAR LOG CLAMP, IN/OUT CYLINDER BOTTOM (A/DH5) | 094780 |
| Orange | 6.00 | 1/4" REAR LOG CLAMP, IN/OUT CYLINDER TOP (A/DH5) | 094780 |
| Red | 5.60 | 1/4" REAR LOG CLAMP, UP/DOWN CYLINDER BOTTOM (A/DH5) | 094781 |
| Blue | 5.60 | 1/4" REAR LOG CLAMP, UP/DOWN CYLINDER TOP (A/DH5) | 094781 |
| Plain | 0.40 | 1/4" HYDRAULIC VALVE TO OIL FLOW CONTROL VALVE (A/DH5) | 094782 |
| Plain | 0.53 | 1/4" HYDRAULIC PUMP TO OIL FLOW CONTROL VALVE (A/DH5) | 087775 |
| Red | 1.50 | 1/4" FIRST CLAMP, UP/DOWN CYLINDER BOTTOM (A/DH7) | 095211 |
| Blue | 1.50 | 1/4" FIRST CLAMP, UP/DOWN CYLINDER TOP (A/DH7) | 095211 |
| Red | 4.00 | 1/4" SECOND CLAMP, UP/DOWN CYLINDER BOTTOM (A/DH7) | 095212 |
| Blue | 4.00 | 1/4" SECOND CLAMP, UP/DOWN CYLINDER TOP (A/DH7) | 095212 |
| Red | 8.00 | 1/4" THIRD CLAMP, UP/DOWN CYLINDER BOTTOM (A/DH7) | 095213 |
| Blue | 8.00 | 1/4" THIRD CLAMP, UP/DOWN CYLINDER TOP (A/DH7) | 095213 |
| Orange | 0.40 | 1/4" HYDRAULIC VALVE POWER CORD TO CLAMP IN/OUT CYLINDER T-FITTING, BOTTOM (A/DH7) | 095214 |
| White | 0.40 | 1/4" HYDRAULIC VALVE POWER CORD TO CLAMP IN/OUT CYLINDER T-FITTING, TOP (A/DH7) | 095214 |
| Orange | 7.00 | 1/4" THIRD CLAMP, IN/OUT CYLINDER BOTTOM (A/DH7) | 095215 |
| White | 7.00 | 1/4" THIRD CLAMP, IN/OUT CYLINDER TOP (A/DH7) | 095215 |
| Orange | 2.50 | 1/4" FIRST/SECOND CLAMP, IN/OUT CYLINDER BOTTOM (A/DH7) | 095216 |
| White | 2.50 | 1/4" FIRST/SECOND CLAMP, IN/OUT CYLINDER TOP (A/DH7) | 095216 |
| Orange | 1.20 | 1/4" FIRST/SECOND CLAMP, IN/OUT CYLINDER BOTTOM (A/DH7) | 095217 |
| White | 1.20 | 1/4" FIRST/SECOND CLAMP, IN/OUT CYLINDER TOP (A/DH7) | 095217 |

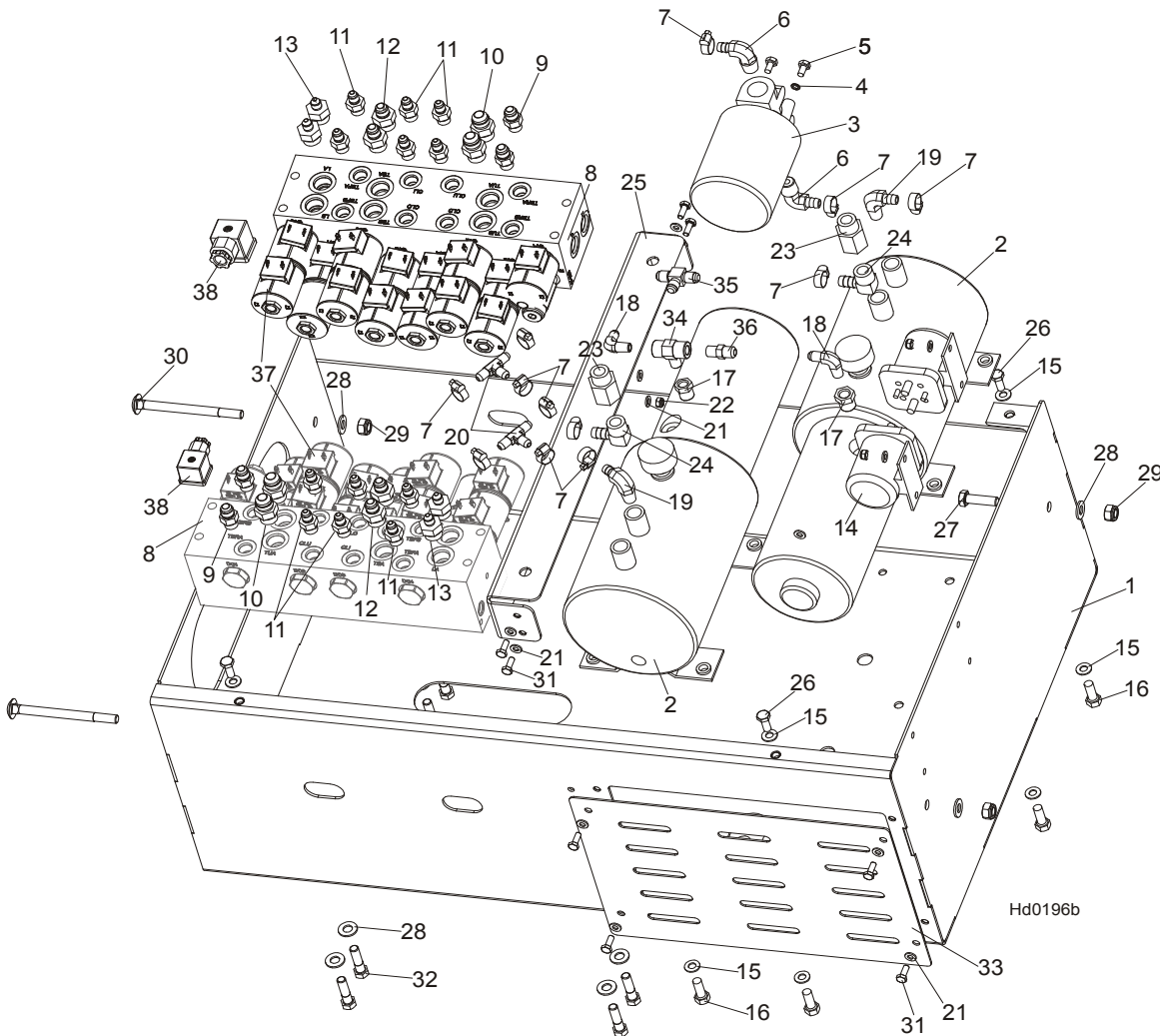
TABLE 8-1

Protective Conduits, LT70 Series A/DH Hydraulic Hoses



| LENGTH "L" | DESCRIPTION (◆ Indicates Parts Available In Assemblies Only) | PART # | QTY |
|------------|--|--------|-----|
| 0.70 | PROTECTIVE CONDUIT, LOG TURNER HOSE | 099761 | 2 |
| 0.28 | PROTECTIVE CONDUIT, IN/OUT CYLINDER HOSE - BOTTOM | 099762 | 1 |
| 0.45 | PROTECTIVE CONDUIT, IN/OUT CYLINDER HOSE - TOP | 099763 | 1 |
| 1.35 | PROTECTIVE CONDUIT, UP/DOWN CYLINDER HOSE - BOTTOM | 099764 | 1 |
| 1.65 | PROTECTIVE CONDUIT, UP/DOWN CYLINDER HOSE - TOP | 099765 | 1 |

8.32 Hydraulic Control Box, LT40/70M Super (DC)

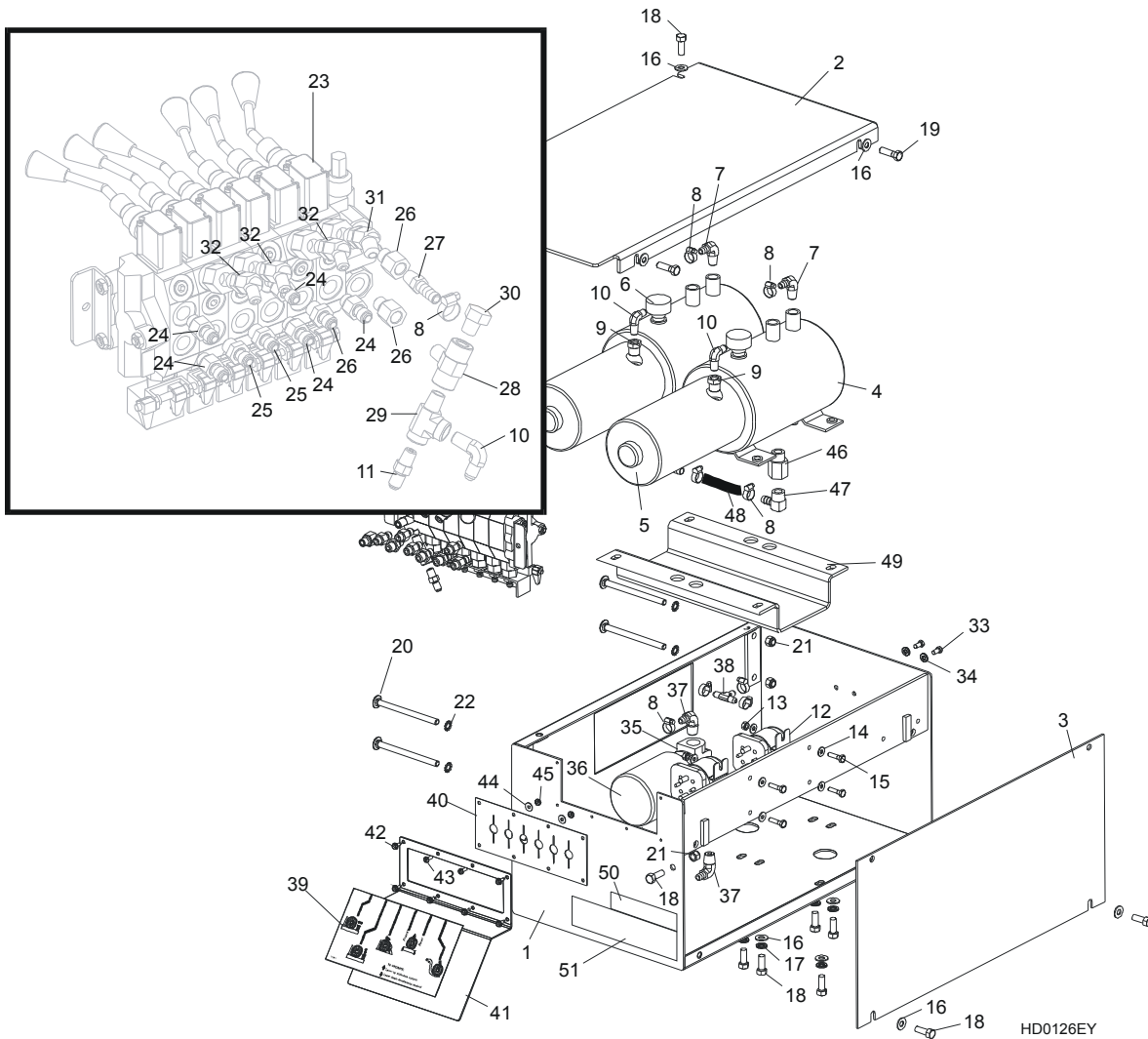


| REF. | DESCRIPTION (◆ Indicates Parts Available In Assemblies Only) | PART# | QTY |
|------|--|-----------|-----|
| | HYDRAULIC CONTROL BOX - LT70M SUPER (DC) | 096490 | 1 |
| 1 | Box, LT70M Super Hydraulic Control | 095690-1 | 1 |
| 2 | Pump Assy, W/Motor Hydraulic | P12701 | 2 |
| | Motor Kit, Hydraulic Replacement | 052807 | 1 |
| | Motor, Iskra Replacement Monarch Pump | 038683 | 1 |
| | Brushes, Hydraulic Motor Iskra | 038682 | 1 |
| | Bearing, Base Motor #02318 | P12513 | 1 |
| | Cap, Hydraulic Pump Vented Fill | P12817 | 1 |
| | Ring, 3 7/8OD 02352 'O' | P10198 | 1 |
| | Seal, Hydraulic Motor/Pump | P10315 | 1 |
| 3 | Manifold, w/Filter | P22683 | 1 |
| 4 | Washer, M6 Split Lock Zinc | F81053-3 | 2 |
| 5 | Bolt, 1/4-20x1/2 HH | F05005-15 | 2 |
| 6 | Fitting, 1/2NPT-3/8 Barb Elbow | P12707 | 2 |
| 7 | Clamp, 11/16 Worm | P12739 | 12 |
| 8 | Valve, hydr. 7 Station Exp.12V | 036730 | 2 |

Hydraulic Control Box, LT40/70M Super (DC)

| | | | | |
|----|--|-----------|----|--|
| 9 | Fitting, 3/8" O-Ring 3/8 JIC | 014687 | 2 | |
| 10 | Fitting, #8SAE- #8JIC | 028076 | 2 | |
| 11 | Fitting, 1/4JIC-3/8 O-Ring | P26284 | 6 | |
| 12 | Fitting, 8SAE-6JIC | P12703 | 2 | |
| 13 | Fitting , 8 SAE-3/8 JIC | 036759 | 2 | |
| 14 | Solenoid, 200A 12V SPST Hyd. Pump 1997 | 015470 | 2 | |
| 15 | Washer, M8 Flat Zinc | F81054-1 | 12 | |
| 16 | Screw, 3/8-16x1 HHC | F05007-7 | 8 | |
| 17 | Fitting, 3/8NPT-1/4NPT Reducer | 015490 | 2 | |
| 18 | Fitting, 1/4NPTx1/4JIC Male Elbow | P09142 | 2 | |
| 19 | Fitting, 3/8NPT-3/8 Barb Elbow | P12708 | 2 | |
| 20 | Fitting, 3/8 Barb Tee | 015485 | 2 | |
| 21 | Washer, M6, Flat, Zinc | F81053-1 | 14 | |
| 22 | Nut, M6, Nylon Hex Zinc Lock | F81031-2 | 6 | |
| 23 | Fitting, 1/2NPT-1/2NPT Adaptor | 015995 | 2 | |
| 24 | Fitting, 1/2NPT-1/2 Hose Barb 90Deg | 015997 | 2 | |
| 25 | Bar, LT70M Super Hydraulic Valve Station | 095686-1 | 1 | |
| 26 | Bolt, M8x20mm Hex Head Gr 5.8 Zinc | F81002-4 | 4 | |
| 27 | Bolt, M10x35-8.8 Hex Head Full Thread Zinc | F81003-17 | 2 | |
| 28 | Washer, M10 Flat Zinc | F81055-1 | 6 | |
| 29 | Nut, M10, Nylon Hex Zinc Lock | F81033-1 | 4 | |
| 30 | Bolt, M10x120 8.8 Carriage | F81003-33 | 2 | |
| 31 | Bolt, M6x16 8.8 Hex Head Full Thread Zinc | F81001-15 | 6 | |
| 32 | Bolt, 3/8-16x1 1/2 HH | F05007-3 | 8 | |
| 33 | Cover, LT70M Super Hydraulic Box (DC) | 096983-1 | 1 | |
| 34 | Fitting, 1/4NPT Branch Tee | 015486 | 1 | |
| 35 | Fitting, 3/8JIC Tee | 015487 | 1 | |
| 36 | Fitting, 3/8JIC-1/4NPT Str | 015560 | 1 | |
| 37 | Coil, Hydraulic Valve | 025835 | 30 | |
| 38 | VALVE CONNECTOR, WITH BUILT-IN LED | 094556 | 30 | |
| | COVER, LT70M SUPER HYDRAULIC BOX | 097528-1 | 1 | |

8.33 Hydraulic Control Box, LT70 Series DH3



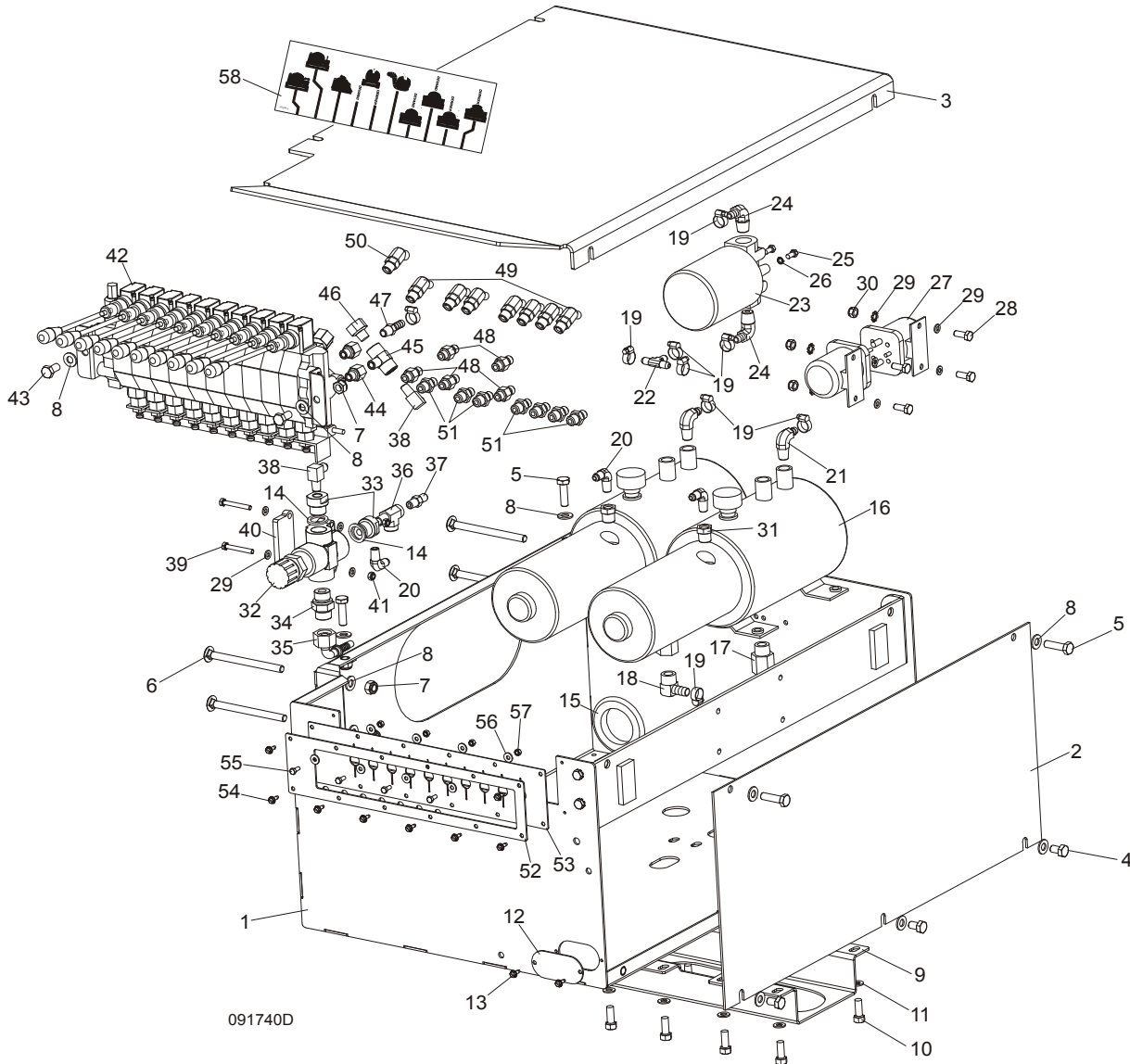
| REF | DESCRIPTION (◆ Indicates Parts Available In Assemblies Only) | PART # | QTY. |
|-----|--|----------|------|
| 1 | BOX WELDMENT, SUPER HYDRAULIC PUMP HOUSING | 092243-1 | 1 |
| 2 | COVER, SUPER HYDRAULIC PUMP HOUSING TOP | 086485-1 | 1 |
| 3 | COVER, SUPER HYDRAULIC PUMP HOUSING SIDE | 086484-1 | 1 |
| 4 | PUMP W/MOTOR, HYDRAULIC #M-300-0230 | P12701 | 2 |
| 5 | Motor Kit, Hydraulic Replacement | 052807 | 1 |
| | Motor, Iskra Replacement Monarch Pump | 038683 | 1 |
| | Brushes, Hydraulic Motor Iskra | 038682 | 1 |
| | Bearing, Base Motor #02318 | P12513 | 1 |
| 6 | Cap, Hydraulic Pump Vented Fill #03171 | P12817 | 1 |
| | O-Ring, Hydraulic Pump/Reservoir #02352 | P10198 | 1 |
| | Seal, Hydraulic Pump/Motor #02330 | P10315 | 1 |
| 7 | FITTING, #6-6 (3/8" NPT) - 3/8" HOSE BARB ELBOW | P12708 | 2 |
| 8 | CLAMP, 11/16" HOSE | P12739 | 10 |
| 9 | FITTING, 3/8" NPT - 1/4" NPT REDUCER | 015490 | 2 |
| 10 | FITTING, 1/4" NPT - 1/4" JIC ELBOW | P09142 | 3 |
| 11 | FITTING, 1/4" NPT - 1/4" JIC | P09143 | 1 |
| 12 | SOLENOID, 200A 12V SPST HYDRAULIC PUMP MOTOR | 015470 | 2 |

Hydraulic Control Box, LT70 Series DH3

| | | | | |
|----|--|------------|-------|--|
| 13 | NUT, #1/4-20 SELF LOCKING | F81031-2 | 4 | |
| 14 | WASHER, 7.4 FLAT | F81053-1 | 8 | |
| 15 | BOLT, #1/4-20 X 1" HEX HEAD | F81001-2 | 4 | |
| | FLUID, 1-QUART DEXRON III HYDRAULIC | P12742 | 8.5 l | |
| | FLUID, 1-GALLON EXXON UNIVIS J26 HYDRAULIC | P12824 | 8.5 l | |
| | FLUID, 1-GALLON EXXON UNIVIS P13 HYDRAULIC | P12822 | 8.5 l | |
| | DECAL, HYDRAULIC FLUID REPLACEMENT | S12825 | 1 | |
| 16 | WASHER, 10.5 FLAT | F81055-1 | 14 | |
| 17 | WASHER, 10.2 SPLIT LOCK | F81055-2 | 8 | |
| 18 | BOLT, 3/8-16 X 1" HEX HEAD | F05007-7 | 14 | |
| 19 | BOLT, 3/8-16 X 1 1/4" HEX HEAD | F05007-2 | 2 | |
| 20 | BOLT, 3/8-16 X 5" CARRIAGE HEAD | F05007-113 | 4 | |
| 21 | WASHER, 3/8" EXTERNAL STAR LOCK | F05011-36 | 4 | |
| 22 | NUT, 3/8-16 HEX NYLON LOCK | F05010-10 | 6 | |
| 23 | VALVE, HYDRAULIC 6 SECTION (See Form 575 FOR VALVE SERVICE PARTS) | 015260 | 1 | |
| | SWITCH, HYDRAULIC VALVE ELECTRIC | 014765 | 1 | |
| 24 | FITTING, 3/8" O-RING - 3/8" JIC | 014687 | 5 | |
| 25 | FITTING, 3/8" O-RING - 1/4" JIC | P26284 | 3 | |
| 26 | FITTING, #6 SAE MALE - 1/4" NPT FEMALE | 014686 | 2 | |
| 27 | FITTING, 1/4" NPT X 3/8" HOSE BARB | 014685 | 1 | |
| 28 | FITTING, 1/4" NPT BRANCH T | 015486 | 1 | |
| 29 | FITTING, 1/4" NPT - 1/4" JIC MALE RUN T | P09141 | 1 | |
| 30 | PLUG, 1/4" NPT BLANK | 096221 | 1 | |
| 31 | FITTING, #6 SAE - 3/8" JIC 45° ELBOW | 015489 | 1 | |
| 32 | FITTING, #6 SAE - 1/4" JIC 45° ELBOW | 015488 | 3 | |
| 33 | BOLT, 1/4-20 X 1/2" HEX HEAD | F05005-15 | 2 | |
| 34 | WASHER, 6.1 SPLIT LOCK | F81053-3 | 2 | |
| 35 | MANIFOLD, HYDRAULIC CARTRIDGE FILTER | P22683 | 1 | |
| 36 | Filter, S28 Hydraulic Cartridge | P20301 | 1 | |
| 37 | FITTING, #6-8 (1/2" NPT) - 3/8" HOSE BARB ELBOW | P12707 | 2 | |
| 38 | FITTING, 3/8" HOSE BARB T | 015485 | 1 | |
| 39 | DECAL, 1997 SUPER HYDRAULIC CONTROL BOX | 015364 | 1 | |
| | HOSE, 3/8" LOW PRESSURE HYDRAULIC | R01892-1 | A/R | |
| 40 | SEAL, RUBBER VALVE HANDLE | 015079 | 1 | |
| 41 | PLATE, VALVE HANDLE DECAL | 015078 | 1 | |
| 42 | SCREW, #10 X 1/2 SLOTTED HEX SELF-TAPPING | F05015-7 | 6 | |
| 43 | SCREW, #10-24 X 1/2" SLOTTED HEX HEAD | F05015-4 | 2 | |
| 44 | WASHER, 5.3 FLAT | F81052-1 | 2 | |
| 45 | NUT, #10-24 SELF-LOCKING HEX | F05010-14 | 2 | |
| 46 | FITTING, 1/2" NPT - 1/2" NPT ADAPTOR | 015995 | 2 | |
| 47 | FITTING, 1/2" NPT - 1/2" HOSE BARB 90° ELBOW | 015997 | 2 | |
| 48 | HOSE, 1/2" ID HYDRAULIC LOW PRESSURE | R02133 | .15 m | |
| 49 | GUARD, HYDRAULIC CROSSOVER | 015992 | 1 | |
| | GROUNDING ASSEMBLY, HYDRAULIC PUMP | N/A | 1 | |
| | Bolt, 3/8-16 x 1/2" Hex Head Grade 5 | F05004-124 | 2 | |
| | Cable, 1AWG SO Welding | R01971 | 1 l | |
| | Terminal, 5/16 1-2Gauge Ring NI Loose | F05092-16 | 4 | |
| | Washer, 3/8" Star External | F05011-36 | 3 | |

| | | | | |
|----|-----------------------------------|--------|---|--|
| 50 | DECAL, HYDRAULIC WORKING PRESSURE | P85069 | 1 | |
| 51 | DECAL, HYDRAULIC FLUID | P85068 | 1 | |

8.34 Hydraulic Control Box, LT70 Series DH5/7



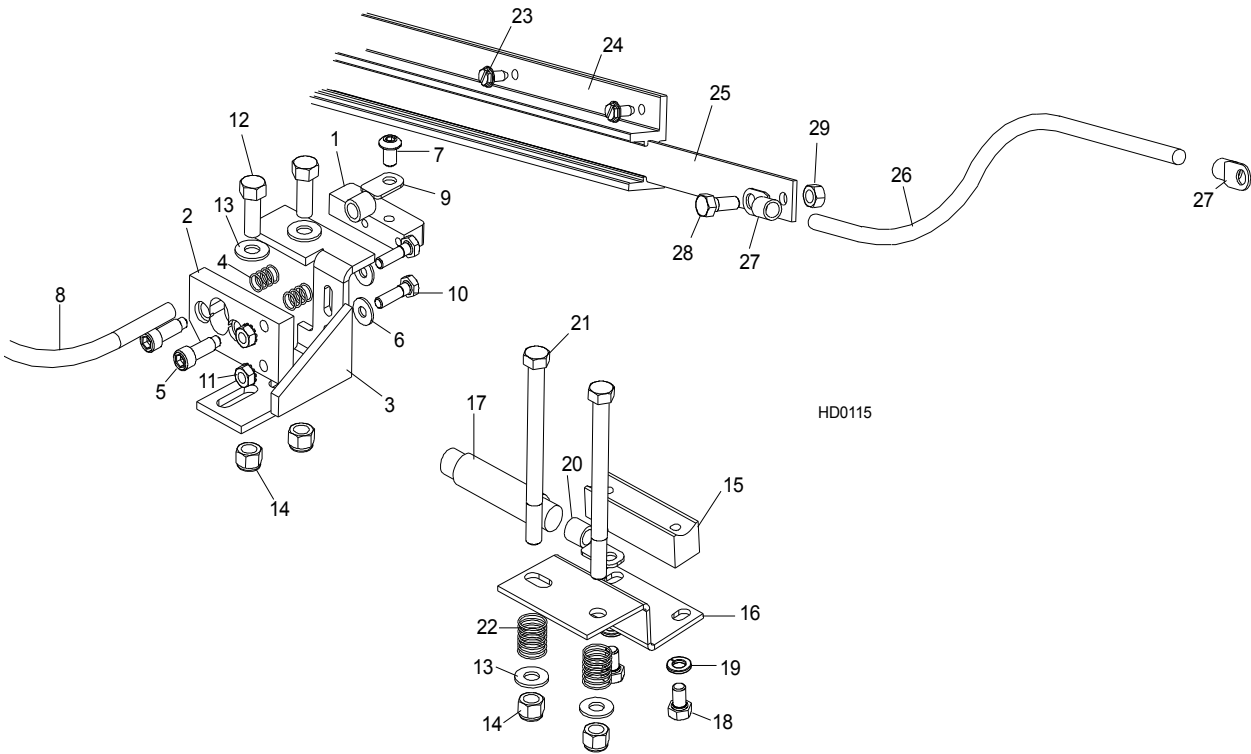
| REF | DESCRIPTION (◆ Indicates Parts Available In Assemblies Only) | PART # | QTY. | |
|-----|--|-----------|------|--|
| | BOX ASSEMBLY, LT40 DH5 HYDRAULIC CONTROL | 091740 | 1 | |
| 1 | Box Weldment, Hydraulic Pump Housing | 091729-1 | 1 | |
| | Bracket, hydr.box AC | 086518-1 | 1 | |
| | Bolt, M8X20mm, Hex Head,GR 5.8 Zinc | F81002-4 | 4 | |
| | Washer, M8 Crown Lock Zinc | F81054-3 | 4 | |
| 2 | Cover, AC Hydraulic Pump Housing Side | 086484-1 | 1 | |
| 3 | Cover, AC/DC Hydraulic Pump Housing Top | 091734-1 | 1 | |
| 4 | Bolt, M10x16-8.8 Hex Head Full Thread Zinc | F81003-13 | 3 | |
| 5 | Bolt, M10x35-8.8 Hex Head Full Thread Zinc | F81003-17 | 4 | |
| 6 | Bolt, M10x125 8.8 Carriage Head Zinc | F81003-34 | 4 | |
| 7 | Nut, M10-8-B Hex Nylon Zinc Lock | F81033-1 | 6 | |

Hydraulic Control Box, LT70 Series DH5/7

| | | | | |
|----|--|-----------|----|--|
| 8 | Washer, 10.5 Flat Zinc | F81055-1 | 13 | |
| 9 | Guard, Hydraulic Crossover | 092707-1 | 1 | |
| 10 | Screw, 3/8-16x1 HHC | F05007-7 | 4 | |
| 11 | Washer, 8.4 Flat Zinc | F81054-1 | 4 | |
| 12 | Cap, Hydraulic Control Box | 091733-1 | 1 | |
| 13 | Bolt, #10-24x1/2, Self Tap | F05015-7 | 2 | |
| 14 | Washer, 22x26 Copper | F81061-5 | 2 | |
| 15 | Seal Rubber, Wire | 085614 | 1 | |
| 16 | Pump Assy, W/Motor Hyd | P12701 | 2 | |
| 17 | Fitting, 1/2NPT-1/2NPT Adaptor | 015995 | 2 | |
| 18 | Fitting, 1/2NPT-1/2 Hose Barb 90Deg | 015997 | 2 | |
| 19 | Clamp, 11/16 Hose | P12739 | 3 | |
| 20 | Fitting, 1/4NPTx1/4JIC Male Elbow | P09142 | 3 | |
| 21 | Fitting, 3/8" NPT - 3/8" Barb Elbow | P12708 | 2 | |
| 22 | Fitting, 3/8" Barb Tee | 015485 | 1 | |
| 23 | Manifold, 1.2" W/Filter | P22683 | 1 | |
| 24 | Fitting, 1/2" NPT - 3/8" Barb Elbow | P12707 | 2 | |
| 25 | Bolt, 1/4-20 x 1/2" Hex Head Zinc Grade 2 | F05005-15 | 2 | |
| 26 | Washer, Z6.1 Split Lock Zinc | F81053-3 | 2 | |
| 27 | Solenoid, 200A 12V SPST Hyd. Pump 1997 | 015470 | 2 | |
| 28 | Bolt, M6X20mm, Hex Head,GR 5.8 Zinc | F81001-2 | 4 | |
| 29 | Washer, 6.4 Flat Zinc | F81053-1 | 12 | |
| 30 | Nut, M6-8-B Hex Nylon Zinc Lock | F81031-2 | 4 | |
| 31 | Fitting, 3/8" NPT - 1/4" NPT Reducer | 015490 | 2 | |
| 32 | Valve, MTKA.VB Oil Flow Control | 093794 | 1 | |
| 33 | Fitting, M22x1.5 / 1/4 - 18 NPT Zinc | 093139-1 | 2 | |
| 34 | Fitting, VMNW10HS22 | 094486 | 1 | |
| 35 | Fitting, PN10AOL13-90 Elbow | 094485 | 1 | |
| 36 | Fitting, 1/4 NPT x 1/4 JIC Male Run Tee | P09141 | 1 | |
| 37 | Fitting, 1/4NPTx1/4JIC Male | P09143 | 1 | |
| 38 | Fitting, 3/8 JIC - 1/4 NPT 90L | 015491 | 2 | |
| 39 | Bolt, M6x45-8.8 Hex Head Zinc | F81001-6 | 2 | |
| 40 | Plate, MTKA Control Valve Spacer Zinc-Plated | 094477-1 | 1 | |
| 41 | Nut, M6-8-B Hex Nylon Zinc Lock | F81031-2 | 2 | |
| 42 | Valve, HDS11/10 6-Section Hydraulic | 091344 | 1 | |
| 43 | Bolt, M10x20-5.8 Hex Head Full Thread Zinc | F81003-1 | 2 | |
| 44 | Fitting, #6 SAE Male - 1/4" NPT Female | 014686 | 2 | |
| 45 | Fitting, 1/4NPT Branch Tee | 015486 | 1 | |
| 46 | Plug, 1/4" NPT Blank | 096221 | 1 | |
| 47 | Fitting, 1/4" NPT x 3/8" Hose Barb | 014685 | 1 | |
| 48 | Fitting, 3/8" O-Ring - 3/8" JIC | 014687 | 5 | |
| 49 | Fitting, #4 SAE - #6 SAE 45° Elbow | 015488 | 7 | |
| 50 | Fitting, #6 SAE 45° Elbow | 015489 | 1 | |
| 51 | Fitting, 3/8" O-Ring - 1/4" JIC | P26284 | 7 | |
| 52 | Plate, 10-Section Valve Painted | 091826-1 | 1 | |
| 53 | Guard, 10-Section Valve Rubber | 091739 | 1 | |
| 54 | Screw, #10-24x1/2 Self-Tapping | F05015-7 | 8 | |
| 55 | Bolt, M5x12-5.8 Hex Head Full Thread Zinc | F81000-5 | 4 | |

| | | | | |
|----|--------------------------------------|----------|---|--|
| 56 | Washer, 5.5 Special Flat Zinc-Plated | F81052-3 | 8 | |
| 57 | Nut, M5-8 Hex Zinc | F81030-1 | 4 | |
| 58 | Decal, DH5 Hydraulic Control Box | 094795 | 1 | |
| | Decal, DH7 Hydraulic Control Box | 094970 | 1 | |

8.35 Hydraulic Power Supply Strip

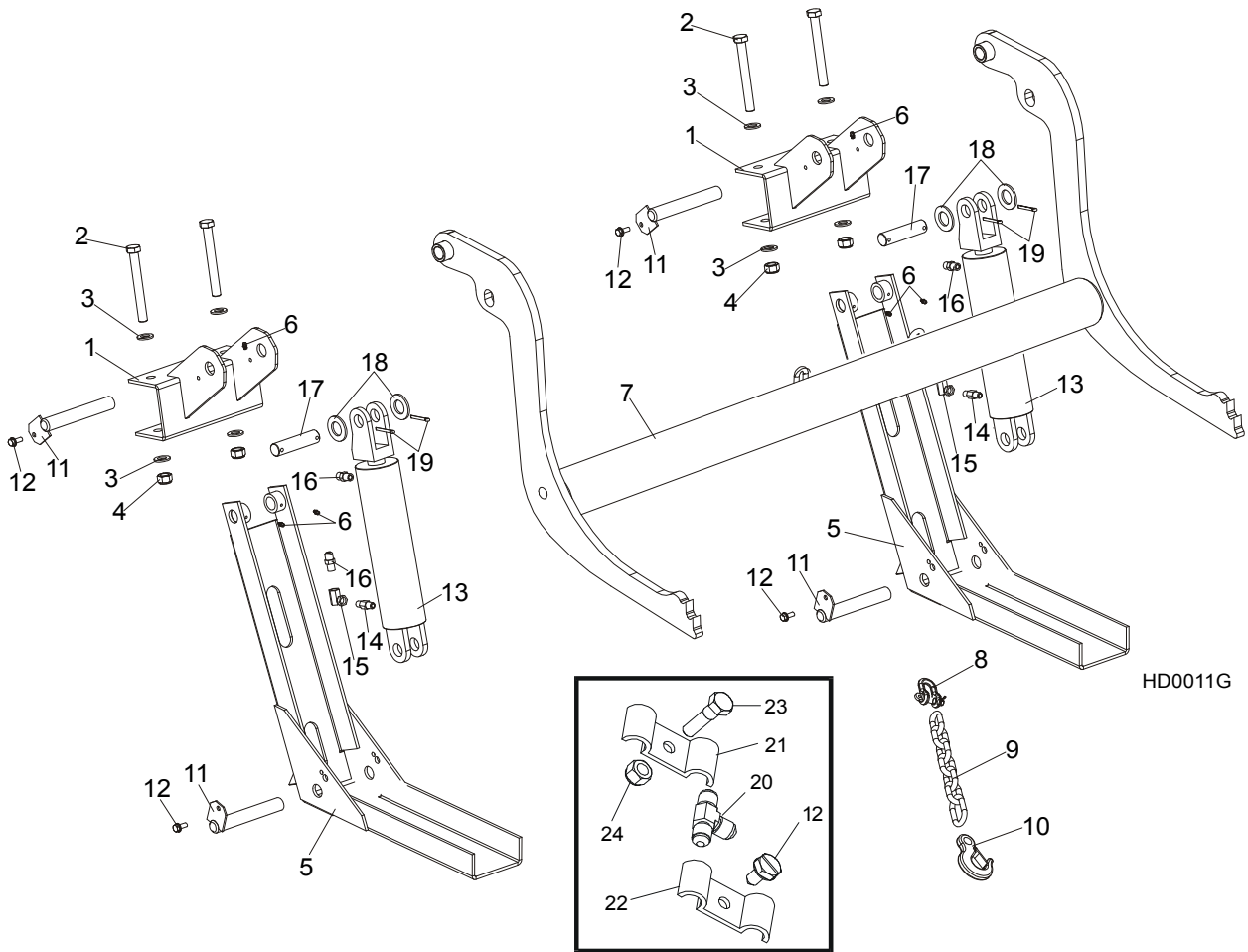


| REF. | DESCRIPTION (◆ Indicates Parts Available In Assemblies Only) | PART # | QTY | |
|------|--|-----------|-------|---|
| | CONTACT KIT, HYDRAULIC 6' POWER SUPPLY | A12042-N | 1 | |
| | Contact Hardware Kit | A10073-N | 1 | ◆ |
| | Contact Assembly, Hydraulic Power Supply (Positive) | 085968 | 1 | |
| 1 | Contact, Hydraulic Power Supply (Positive) | 015253 | 1 | |
| 2 | Insulator, Positive Contact | S10072 | 1 | |
| 3 | Bracket, Positive Contact Mounting | 086380-1 | 1 | |
| 4 | Spring, Positive Contact | P10077 | 2 | |
| 5 | Bolt, 5/16" X 3/4" Shoulder (1/4-20 Thread) | F05006-44 | 2 | |
| 6 | Washer, 7.4 Flat Zinc | F81056-11 | 2 | |
| 7 | Bolt, 5/16-18 x 1/2" Socket Button Head | F05006-20 | 1 | |
| | Cable Assy, Hydraulic Positive Contact | 015885 | 1 | |
| 8 | Cable, #1 Weld | R01948 | 0.75m | ◆ |
| 9 | Terminal, 35 Ring #2 Gauge | F81066-3 | 2 | |
| 10 | Bolt, 1/4-20 X 1" Hex Head Zinc Grade 2 | F05005-38 | 2 | |
| 11 | Nut, 1/4-20 Self-Locking Hex Zinc | F05010-9 | 2 | |
| 12 | Bolt, 3/8-16 X 1" Hex Head Zinc Grade 5 | F05007-87 | 2 | |
| 13 | Washer, 10.5 Flat Zinc | F81055-1 | 4 | |
| 14 | Nut, 3/8-16 Hex Nylon Lock | F05010-10 | 4 | |
| | Contact Assembly, Hydraulic Power Supply (Ground) | A10066 | 1 | |
| 15 | Contact, Hydraulic Power Supply (Ground) | 015264 | 1 | |

Hydraulic Power Supply Strip

| | | | | |
|----|---|-----------|------|---|
| 16 | Bracket, Ground Contact Mounting | 015265 | 1 | |
| 17 | Cable, #1 Weld | R01948 | .63m | ◆ |
| 18 | Bolt, 5/16-18 X 1/2" Hex Head Zinc Grade 5 | F05006-15 | 2 | |
| 19 | Washer, 8.2 Split Lock Zinc | F81054-4 | 2 | |
| 20 | Terminal, 35 Ring #2 Gauge | F81066-3 | 1 | |
| 21 | Bolt, 3/8-16 X 4 1/2" Hex Head Zinc Grade 2 | F05007-35 | 2 | |
| 22 | Spring, Ground Contact | P04282 | 2 | |
| 23 | Screw, 1/4-20 X 1/2" "23" Type Self-Tapping | F05015-1 | 14 | |
| 24 | Housing, 6' Contact Strip | P11976 | 1 | |
| 25 | Strip, 6' Contact | S10075 | 1 | ◆ |
| 26 | Cable, #2 Weld | R80583-21 | | ◆ |
| 27 | Terminal, 35 Ring #2 Gauge | F81066-3 | | |
| 28 | Bolt, 5/16-18 X 3/4" Hex Head Black Nylon | F05006-45 | 1 | |
| 29 | Nut, 5/16-18 Hex Black Nylon | F05010-86 | 1 | |
| | Tube, 5/8" Heat Shrink | R01950-5 | m | ◆ |
| | Grommet, 5/8" Wire | P04137 | | |

8.36 Hydraulic Log Loader

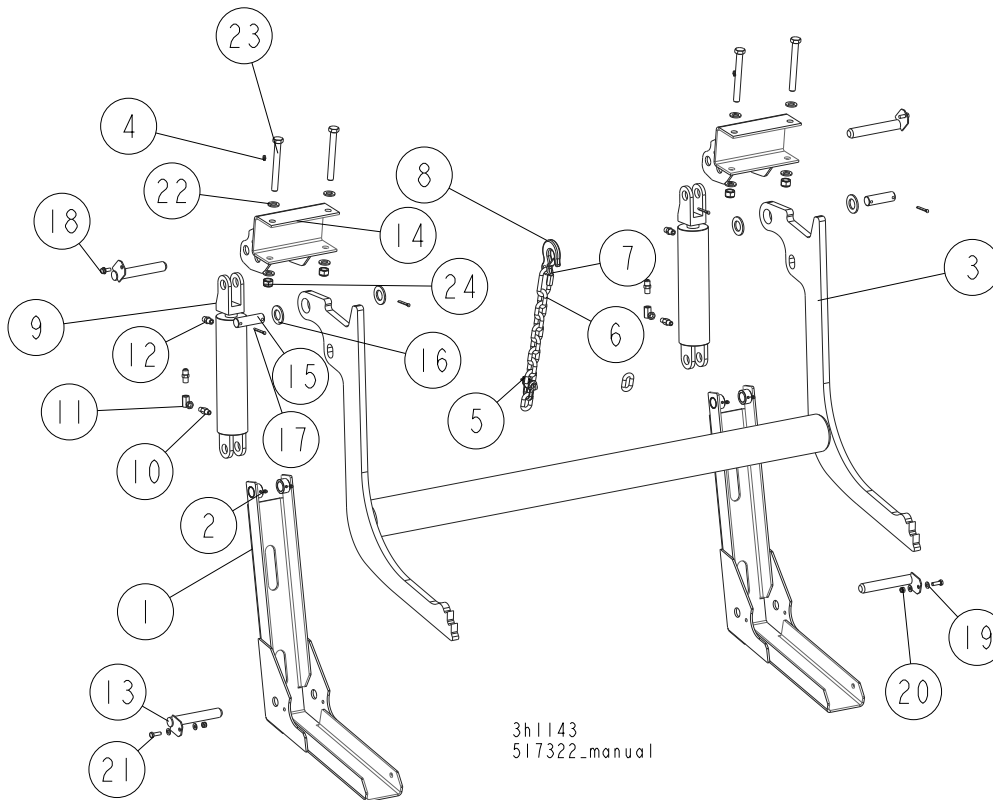


| REF. | DESCRIPTION (◆ Indicates Parts Available In Assemblies Only) | PART # | QTY |
|------|--|-----------|-----|
| | HYDRAULIC LOG LOADER - COMPLETE | 092863 | 1 |
| 1 | Bracket, Log Loader Mount | 500747-70 | 1 |
| 2 | Bolt, M16x140-8.8 Hex Head Zinc | F81006-4 | 4 |
| 3 | Washer, 17 Flat Zinc | F81058-1 | 8 |
| 4 | Nut, M16-8 Hex Nylon Zinc Lock | F81036-2 | 4 |
| | Channel, Hydraulic Log Loading Foot Complete | 090049 | 2 |
| 5 | Channel, Hydraulic Log Loading Foot | 090048-1 | 2 |
| 6 | Fitting, 3/16x3/16 Straight Grease | P04107 | 6 |
| | Arm, Hydraulic Log Loading Complete | 090044 | 1 |
| 7 | Arm, Hydraulic Log Loading | 090006-1 | 1 |
| 8 | Shackle, M-D .63 | 086540 | 1 |
| 9 | Chain, Hydraulic Log Loader Safety | 090007-1 | 1 |
| 10 | Hook, 5/8 Safety Chain | P12075 | 1 |
| 11 | Pin, Turner Arm | 099127-1 | 4 |
| 12 | Screw, 5/16-18x3/4 Self-Tapping | F05015-30 | 4 |
| | Cylinder Assy, Log Loading Super | 015562 | 2 |
| 13 | Cylinder, Log Loading Super | 088680 | 2 |
| 14 | Fitting, 1/4NPT Velocity Fuse 5.0GPM | 015750 | 2 |

Hydraulic Log Loader

| | | | | |
|----|---------------------------------------|-----------|---|--|
| 15 | Fitting, 1/4NPT-1/4JIC Swivel Elbow | P12199 | 2 | |
| 16 | Fitting, 3/8JIC-1/4NPT Straight | 015560 | 4 | |
| 17 | Pin, hydraulic cylinder zinc-plated | 086979-1 | 2 | |
| 18 | Washer, 28 Flat Zinc | F81061-1 | 4 | |
| 19 | Pin, 5x40 Cotter | F81043-31 | 2 | |
| 20 | Fitting, 3/8 Barb Tee | 015487 | 1 | |
| 21 | Plate, 1/4 Hose Clamp Ptd | S09245 | 6 | |
| 22 | Clamp, 3/8 Hose | 016041 | 2 | |
| 23 | Bolt, 5/16-18x1 Hex Head Zinc Grade 2 | F05006-1 | 1 | |
| 24 | Nut, 5/16-18 Self-Locking Nylon Zinc | F05010-58 | 1 | |

8.37 Hydraulic Log Loader, Extended for "S", "M" and "M Super" Frames with 2.5 t. and 2.6 t. Trailer

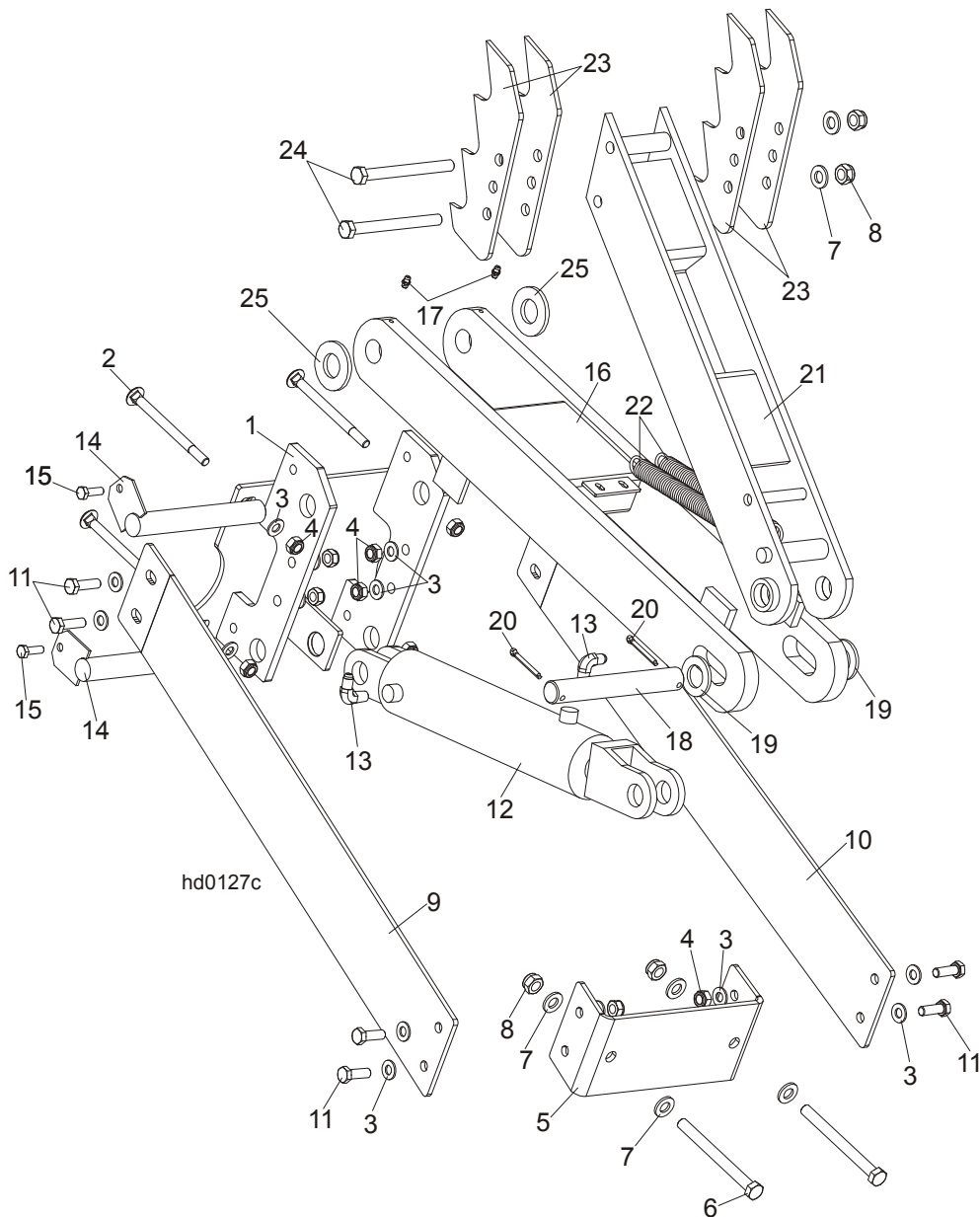


3h1143
517322_manual

| REF. | DESCRIPTION (◆ Indicates Parts Available In Assemblies Only) | PART # | QTY |
|------|--|---------------|----------|
| | LOG LOADER, "M" "S" SUPER FRAME, EXTENDED, COMPLETE | 517322 | 1 |
| | LOG LOADER, EXTENDED, COMPLETE | 517326 | 2 |
| 1 | LOG LOADER, EXTENDED, PTD. | 517323-1 | 1 |
| 2 | FITTING, 3/16X3/16 STRAIGHT GREASE | P04107 | 2 |
| | LOG LOADER, EXTENDED, COMPLETE | 517327 | 1 |
| 3 | LOG LOADER, EXTENDED, PTD.517322* | 517329-1 | 1 |
| 4 | FITTING, 3/16X3/16 STRAIGHT GREASE | P04107 | 2 |
| 5 | SHACKLE, M-D .63 | 086540 | 1 |
| | CHAIN, TRANSPORT, EXTENDED LOG LOADER, COMPLETE | 517332 | 1 |
| 6 | CHAIN, LINKS N-10X35 - 8 LINKS, PTD | 517333-1 | 1 |
| 7 | CARABINER 10 | 100767 | 1 |
| 8 | HOOK, 5/8 SAFETY CHAIN | P12075 | 1 |
| | CYLINDER ASSY, LOG LOADING SUPER | 015562 | 2 |
| 9 | CYLINDER, CJ-S95-16-70/32/203 HYDRAULIC | 088680 | 1 |
| 10 | FITTING, 1/4NPT VELOCITY FUSE 5.0GPM | 015750 | 1 |
| 11 | FITTING, 1/4NPT-1/4JIC SWIVEL ELBOW | P12199 | 1 |
| 12 | FITTING, 3/8JIC-1/4NPT STR | 015560 | 2 |
| 13 | PIN WELDMENT, LOADER PTD | 099127-1 | 4 |
| 14 | BRACKET, LOG LOADER, FRAME S/M/SUPER | 500747-70 | 2 |

| REF. | DESCRIPTION (◆ Indicates Parts Available In Assemblies Only) | PART # | QTY |
|------|--|-----------|-----|
| 15 | PIN, HYDRAULIC CYLINDER ZINC-PLATED | 086979-1 | 2 |
| 16 | WASHER 28 FE/ZN5 | F81061-1 | 4 |
| 17 | PIN, 5 X 40 COTTER | F81043-31 | 4 |
| 18 | BOLT, 5/16-18 X 3/4 SELF TAP | F05015-30 | 2 |
| 19 | WASHER, 8.4 FLAT ZINC | F81054-1 | 4 |
| 20 | NUT, M8-8-B HEX NYLON ZINC LOCK | F81032-2 | 2 |
| 21 | BOLT, M8X25-8.8-B HEX HEAD FULL THREAD Z | F81002-5 | 2 |
| 22 | WASHER, 17 FLAT ZINC | F81058-1 | 8 |
| 23 | BOLT, M16X140MM,HEX HEAD,GRADE 8.8 ZINC | F81006-4 | 4 |
| 24 | NUT, M16,HEX, NYLON ZINC LOCK | F81036-2 | 4 |

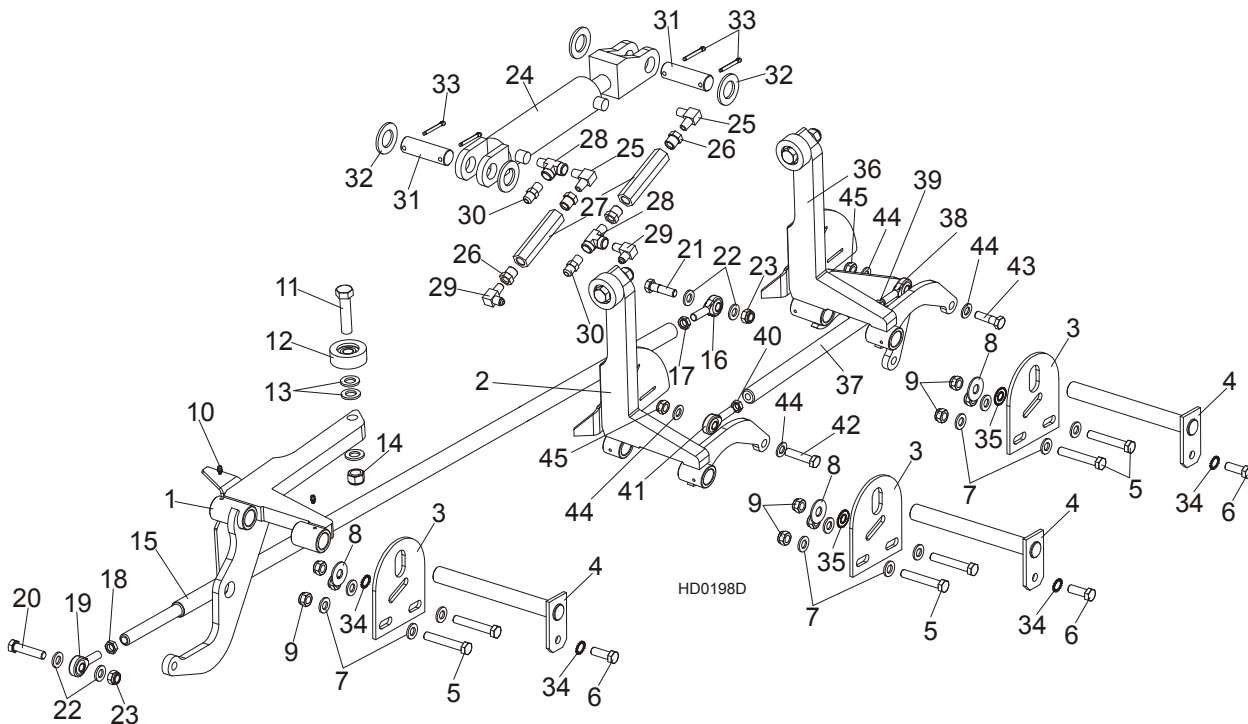
8.38 Hydraulic Log Turner



| REF. | DESCRIPTION (◆ Indicates Parts Available In Assemblies Only) | PART # | QTY |
|------|--|--------|-----|
|------|--|--------|-----|

| HYDRAULIC LOG TURNER OPTION (S/M TYPE FRAME) | | 088711 | 1 | |
|--|--|-----------|----|--|
| 1 | Bracket, Hydraulic Log Turner (S/M TYPE FRAME) | 088710-1 | 1 | |
| 2 | Bolt, M10x120 8.8 Carriage Head Zinc | F81003-33 | 4 | |
| 3 | Washer, M10 Flat Zinc | F81055-1 | 20 | |
| 4 | Nut, M10 Hex Nylon Zinc Lock | F81033-1 | 12 | |
| 5 | Bracket, Hydraulic Log Turner Front | 091046-1 | 1 | |
| 6 | Bolt, M12x130-8.8 Hex Head Zinc | F81004-36 | 2 | |
| 7 | Washer, M12 Flat Zinc | F81056-1 | 6 | |
| 8 | Nut, M12 Hex Nylon Zinc Lock | F81034-2 | 4 | |
| 9 | Plate, Hydraulic Log Turner Left | 091048-1 | 1 | |
| 10 | Plate, Hydraulic Log Turner Right | 091049-1 | 1 | |
| 11 | Bolt, M10x30mm Hex Head Zinc Grade 5.8 | F81003-2 | 8 | |
| | Cylinder Assy, Log Turner Super | 015563 | 1 | |
| 12 | Cylinder, CJ-S305-16-63/28/203 Hydraulic | 088679 | 1 | |
| 13 | Fitting, 1/4NPTx1/4JIC Male Elbow | P09142 | 2 | |
| 14 | Pin, Log Turner Mount | 088667-1 | 2 | |
| 15 | Bolt, M8 x 25mm Hex Head Zinc Grade 5.8 | F81002-5 | 2 | |
| 16 | Arm, Hydraulic Log Turner Link | 088060-1 | 1 | |
| 17 | Fitting, M6 Grease | 086280 | 2 | |
| 18 | Pin, 25 X 180 | 088664 | 1 | |
| 19 | Washer, 25 Zinc | F81061-3 | 2 | |
| 20 | Pin, 5x40 Cotter | F81043-31 | 2 | |
| 21 | Arm, Hydraulic Log Turner Painted | 088067-1 | 1 | |
| 22 | Spring, 1 1/16x8x.135 Dia | 015718 | 2 | |
| 23 | Claw, Hydraulic Log Turner | 088082-1 | 4 | |
| 24 | Bolt, M12x130-8.8 Hex Head Zinc | F81004-36 | 2 | |
| 25 | Washer, GTM-2644-015 | 093359 | 2 | |

8.39 Hydraulic Log Side Supports (S/M Type Frame)

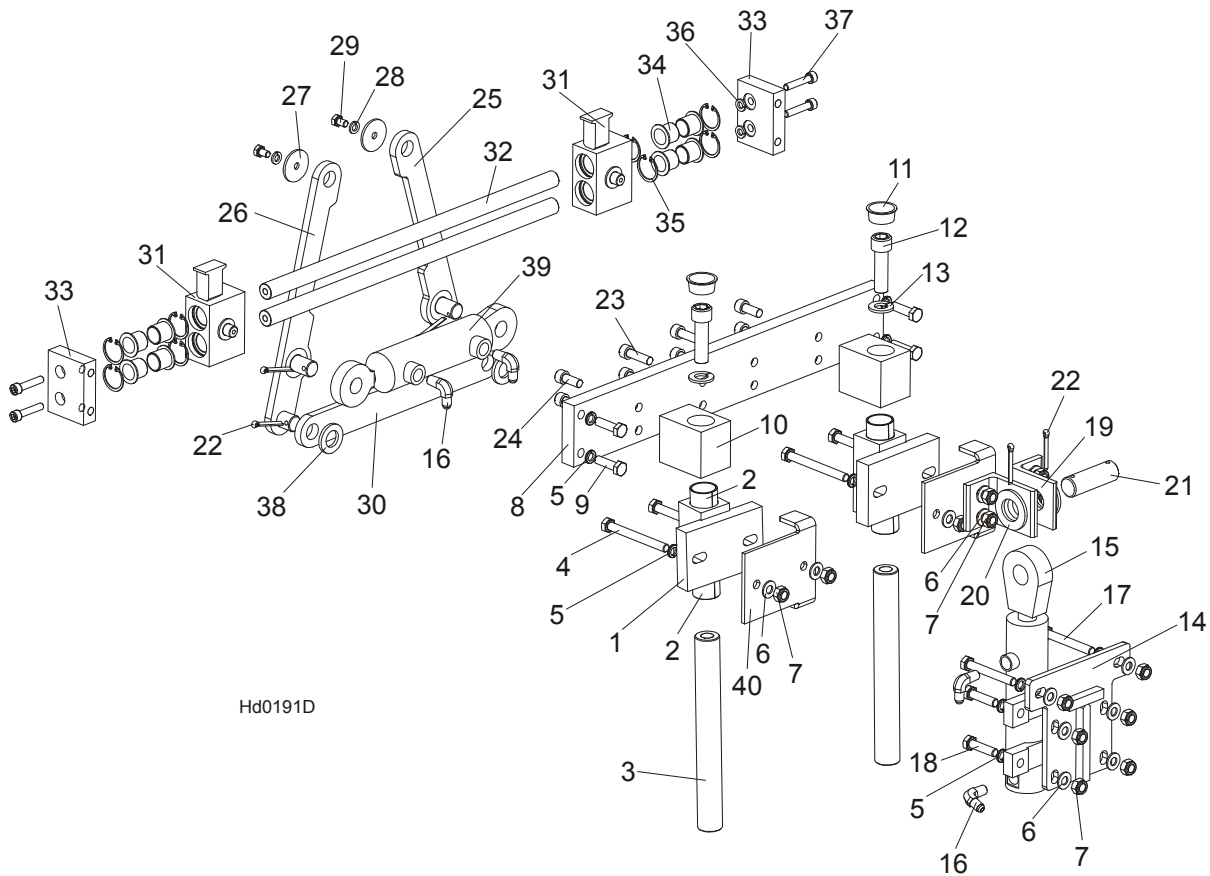


| REF. | DESCRIPTION (◆ Indicates Parts Available In Assemblies Only) | PART # | QTY |
|------|--|---------------|----------|
| | LOG SIDE SUPPORT KIT, S/M FRAME | 507644 | 1 |
| 1 | SUPPORT, HYDRAULIC LOG SIDE W/GUARD | 099788-1 | 1 |
| 2 | SUPPORT, LOG SIDE W/GUARD | 507646-1 | 1 |
| 3 | PLATE, LOG SIDE SUPPORT END | 091591-1 | 3 |
| 4 | PIN, LOG SIDE SUPPORT PIVOT | 091549-1 | 3 |
| 5 | BOLT, M12 X 75-8.8 HEX HEAD FULL THREAD ZINC | F81004-21 | 6 |
| 6 | BOLT, M12 X 35-8.8 HEX HEAD FULL THREAD ZINC | F81004-24 | 3 |
| 7 | WASHER, 13 FLAT ZINC | F81056-1 | 12 |
| 8 | WASHER, 15 FLAT SPECIAL ZINC-PLATED | F81057-3 | 3 |
| 9 | NUT, M12-8 HEX NYLON ZINC LOCK | F81034-2 | 9 |
| 10 | FITTING, 3/16" STRAIGHT GREASE | P04107 | 6 |
| 11 | BOLT, M16X65-8.8 HEX HEAD FULL THREAD | F81006-1 | 3 |
| 12 | ROLLER ASSY, SIDE SUPPORT PTD | 015014-1 | 3 |
| 13 | WASHER, 17 FLAT ZINC | F81058-1 | 9 |
| 14 | NUT, M16,HEX, NYLON ZINC LOCK | F81036-2 | 3 |
| | ROD, SIDE SUPPORT LINK COMPLETE | 091640 | 1 |
| 15 | ROD, SIDE SUPPORT LINK ZINC-PLATED | 089374-1 | 1 |
| 16 | ROD END (LEFT THREAD) | 087036 | 1 |
| 17 | NUT, M12-04-A RIGHT HEX THIN | F81034-6 | 1 |
| 18 | NUT, M12-04-A LEFT HEX THIN | F81034-7 | 1 |
| 19 | ROD END (RIGHT THREAD) | 087035 | 1 |
| 20 | BOLT, M12 X 55-8.8 HEX HEAD FULL THREAD ZINC | F81004-12 | 1 |
| 21 | BOLT, M12 X 45-8.8 HEX HEAD FULL THREAD ZINC | F81004-32 | 2 |
| 22 | WASHER, 13 FLAT ZINC | F81056-1 | 4 |
| 23 | NUT, M12-8 HEX NYLON ZINC LOCK | F81034-2 | 2 |

Hydraulic Log Side Supports (S/M Type Frame)

| | | | | |
|----|---|---------------|----------|--|
| | CYLINDER ASSEMBLY, SUPER HYDRAULIC LOG SIDE SUPPORT | 015561 | 1 | |
| 24 | CYLINDER, CJ-S270-16-50/28/152 HYDRAULIC | 088678 | 1 | |
| | SEAL KIT, 6" X 2" HYDRAULIC CYLINDER | P12954 | 1 | |
| 25 | FITTING, #C3529X4 90° ELBOW | P09140 | 2 | |
| 26 | FITTING, 3/8" NPT - 1/4" NPT REDUCER | 015490 | 4 | |
| 27 | VALVE, SIDE SUPPORT SEQUENCE | 015484 | 2 | |
| 28 | FITTING, C3759X4 MALE TEE | 015486 | 2 | |
| 29 | FITTING, 3/8JIC-1/4NPT 90L | 015491 | 2 | |
| 30 | FITTING, 3/8" JIC - 1/4" NPT STRAIGHT | 015560 | 2 | |
| 31 | PIN, HYDRAULIC CYLINDER ZINC-PLATED | 086979-1 | 2 | |
| 32 | WASHER, 28 FLAT ZINC | F81061-1 | 4 | |
| 33 | PIN, 5 X 40 COTTER | F81043-31 | 4 | |
| 34 | WASHER, SPECIAL BOSART/2S, BN781 M12/13 | F81056-16 | 4 | |
| 35 | WASHER, SPECIAL BOSART/2S M12/12,3/30,3 | F81056-17 | 2 | |
| 36 | SUPPORT, LOG SIDE W/GUARD 2 | 507645-1 | 1 | |
| | PUSHER, SUPPORT, LOG SIDE, L-380 SHORT | 507647 | 1 | |
| 37 | PUSHER, SUPPORT, LOG SIDE, L-320 | 505439-1 | 1 | |
| 38 | END, ROD LEFT THREAD | 087036 | 1 | |
| 39 | NUT, M12-04-A RIGHT HEX THIN | F81034-6 | 1 | |
| 40 | NUT, M12-04-A LEFT HEX THIN | F81034-7 | 1 | |
| 41 | ROD END (RIGHT THREAD) | 087035 | 1 | |
| 42 | BOLT, M12 X 55-8.8 HEX HEAD FULL THREAD ZINC | F81004-12 | 1 | |
| 43 | BOLT, M12 X 45-8.8 HEX HEAD FULL THREAD ZINC | F81004-32 | 1 | |
| 44 | WASHER, 13 FLAT ZINC | F81056-1 | 4 | |
| 45 | NUT, M12-8 HEX NYLON ZINC LOCK | F81034-2 | 2 | |

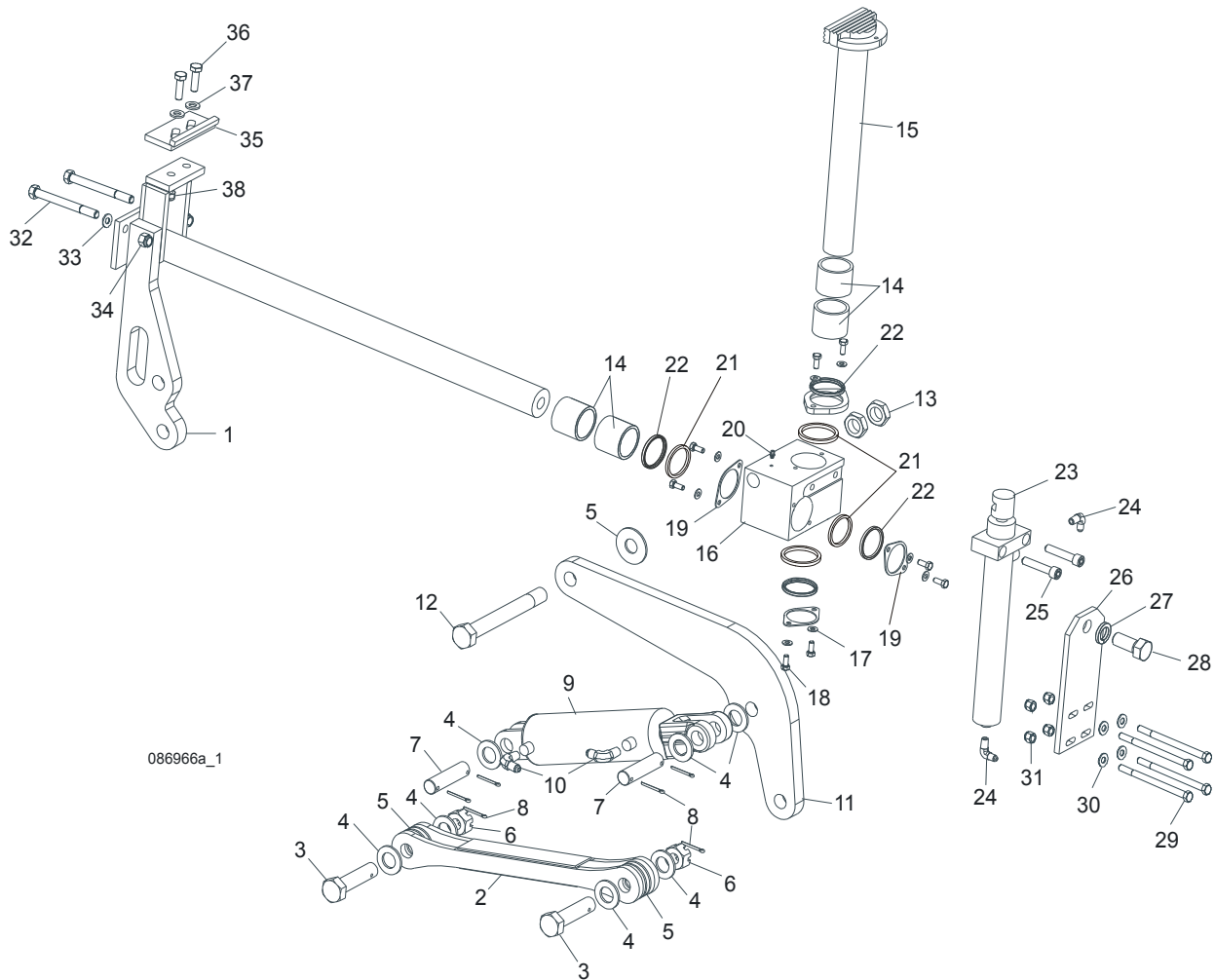
8.40 Hydraulic Pull-Down Clamp



| REF. | DESCRIPTION (◆ Indicates Parts Available In Assemblies Only) | PART # | QTY |
|------|--|---------------|----------|
| | LEFT HYDRAULIC LOG CLAMP ASSEMBLY, COMPLETE | 094129 | 1 |
| | GUIDE BLOCK W/SELF-LUBRICATING BUSHINGS | 090544 | 2 |
| 1 | BLOCK WELDMENT, LOG CLAMP GUIDE PTD | 090543-1 | 2 |
| 2 | BUSHING, 3040BS SELF-LUBRICATING | 088676 | 2 |
| 3 | Pin, Log Clamp Up/Down | 088631 | 2 |
| 4 | Bolt, M10x95-8.8-B Hex Head Zinc | F81003-71 | 4 |
| 5 | Washer, 10.2 Split Lock Zinc | F81055-2 | 14 |
| 6 | Washer, 10.5 Flat Zinc | F81055-1 | 14 |
| 7 | Nut, M10-8-B Hex Nylon Zinc Lock | F81033-1 | 14 |
| 8 | Beam, Log Clamp Main Zinc-plated | 094115-1 | 1 |
| 9 | Bolt, M10x35-8.8 Hex Head Full Thread Zinc | F81003-17 | 4 |
| 10 | Block, Log Clamp Up/Down Painted | 094124-1 | 2 |
| 11 | Plug, M33 Thread #12428 | 089839 | 2 |
| 12 | Screw, M16x55-8.8 Hex Socket Head Cap Zinc | F81006-18 | 2 |
| 13 | Washer, 16.3 Split Lock Zinc | F81058-2 | 2 |
| 14 | Plate Weldment, Hydraulic Cylinder Mounting Painted | 094094-1 | 1 |
| 15 | Cylinder, CJ7F-16/40/22 + UE2-40W Hydraulic | 091346 | 1 |
| 16 | Fitting, 90° Male Elbow | P09142 | 2 |
| 17 | Bolt, M10x75-8.8 Hex Head Zinc | F81003-15 | 2 |
| 18 | Bolt, M10x40-8.8 Hex Head Full Thread Zinc | F81003-16 | 4 |
| 19 | Bracket, Hydraulic Cylinder Mounting Painted | 094127-1 | 2 |

| | | | | |
|----|---|-----------|---|--|
| 20 | Washer, 28 Flat Zinc | F81061-1 | 2 | |
| 21 | Pin, 25x75 Zinc-plated | 088659-1 | 1 | |
| 22 | Pin, S-Zn 5x40 Cotter Zinc | F81043-31 | 4 | |
| 23 | Screw, M10x35 8.8 Hex Socket Head Cap Zinc | F81003-56 | 4 | |
| 24 | Screw, M10x25 8.8 Hex Socket Head Cap Zinc | F81003-32 | 4 | |
| 25 | Link, Log Clamp In/Out Side Zinc-plated (1) | 094097-1 | 1 | |
| 26 | Link, Log Clamp In/Out Side Zinc-plated (2) | 094099-1 | 1 | |
| 27 | Washer, Zinc-plated Spacer | 094128-1 | 1 | |
| 28 | Washer, 8.2 Split Lock Zinc | F81054-4 | 2 | |
| 29 | Bolt, M8x12-8.8 Hex Head Full Thread Zinc | F81002-6 | 2 | |
| 30 | Arm, Log Clamp In/Out Zinc-plated | 094092-1 | 1 | |
| 31 | Jaw Weldment, Log Clamp Zinc-plated | 094120-1 | 2 | |
| 32 | Rod, Log Clamp Jaw Guide | 094116 | 2 | |
| 33 | Plate, Locking Zinc-plated | 094117-1 | 2 | |
| 34 | Bushing, JFM-2023-21 Flanged | 094113 | 8 | |
| 35 | Ring, W 31 Inside Retaining | F81090-15 | 8 | |
| 36 | Washer, 8.2 Split Lock Zinc | F81054-4 | 4 | |
| 37 | Screw, M8x40-8.8 Hex Socket Head Cap Zinc | F81002-29 | 4 | |
| 38 | Washer, 21 Flat Zinc | F81059-2 | 2 | |
| 39 | Cylinder, SJ2F-16-40/22/80 Hydraulic | 093880 | 1 | |
| 40 | Bracket, Log Clamp Mount Painted | 094098-1 | 2 | |

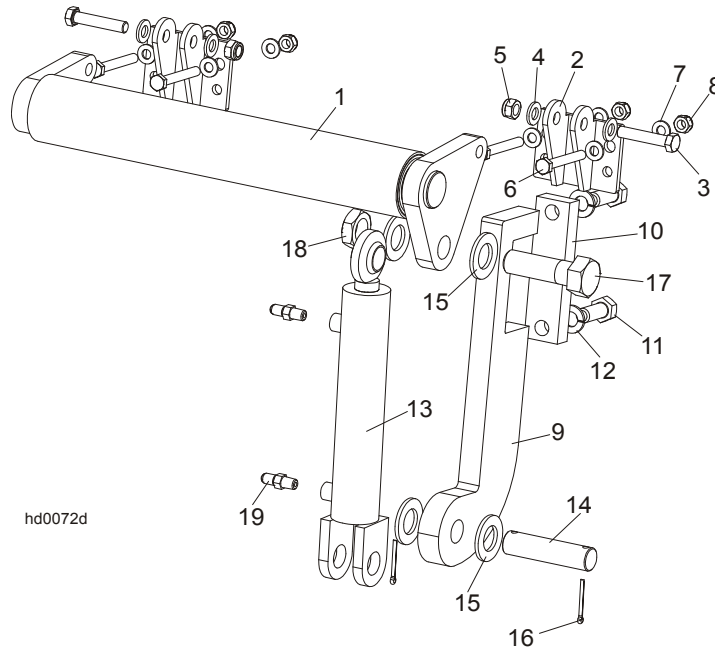
8.41 Hydraulic Log Clamp



| REF. | DESCRIPTION (◆ Indicates Parts Available In Assemblies Only) | PART # | QTY |
|------|--|----------|-----|
| | LOG CLAMP ASSEMBLY, TWO-PLANE | 088658 | 1 |
| 1 | Rod Weldment, Log Clamp Slide Painted | 086967-1 | 1 |
| 2 | Arm Weldment, Hydraulic Clamp Link Painted | 086963-1 | 1 |
| 3 | Pin, B 24x95/85 Clevis Zinc | F81049-2 | 1 |
| 4 | Washer, 25 Flat Zinc | F81061-3 | 8 |
| 5 | Washer, 25x63 Zinc-Plated | 088585-1 | 5 |
| 6 | Nut, M20-8-3 Hex Slotted Castle Zinc | F81037-3 | 2 |
| 7 | Pin, Hydraulic Cylinder Zinc-Plated | 086979-1 | 2 |
| 8 | Pin, 6.3x45 Cotter Zinc | F81045-2 | 6 |
| 9 | Cylinder, CJ-S96-16-70/32/178 Hydraulic | 088589 | 1 |
| 10 | Fitting, 90° Male Elbow | P09142 | 2 |
| 11 | Arm, Hydraulic Log Clamp Link Painted | 086974-1 | 1 |
| 12 | Bolt, M24x217/39 -8.8-B Hex Head Zinc | 088586-1 | 1 |
| 13 | Nut, M24 -04-B Hex Thin Zinc | F81039-3 | 2 |
| 14 | Bushing, 5040BS Self-Lubricating | 088660 | 2 |
| 15 | Rod Weldment, Log Clamp Vertical Painted | 088582-1 | 1 |
| 16 | Block, Log Clamp Painted Steel | 088591-1 | 1 |

| | | | | |
|----|--|-----------|---|--|
| 17 | Washer, 8.4 Flat Zinc | F81054-1 | 8 | |
| 18 | Bolt, M8x20-8.8-B Hex Head Full Thread Zinc | F81002-4 | 8 | |
| 19 | Flange, Clamp Rod Wiper Painted | 088887-1 | 3 | |
| 20 | Fitting, 3/16" Straight Grease | P04107 | 1 | |
| 21 | Spacer, Log Clamp | 089324 | 1 | |
| 22 | Wiper, ZZ 50x60x7 INCO Log Clamp Rod | 088587 | 1 | |
| 23 | Cylinder, CJ-S169-16-40/22/254 Hydraulic | 088590 | 1 | |
| 24 | Fitting, 90° Male Elbow | P09142 | 2 | |
| 25 | Screw, M12x55-8.8-B Hex Socket Head Cap Zinc | F81004-23 | 2 | |
| 26 | Plate, Log Clamp Mount Painted | 086975-1 | 1 | |
| 27 | Washer, Z 22.5 Split Lock Zinc | F81059-4 | 1 | |
| 28 | Bolt, M22x1.5x40-8.8-B Hex Head Full Thread Zinc | F81009-1 | 1 | |
| 29 | Bolt, M10 x 125-8.8 Hex Head Zinc | F81003-18 | 4 | |
| 30 | Washer, 10.5 Flat Zinc | F81055-1 | 4 | |
| 31 | Nut, M10-8-B Hex Nylon Zinc Lock | F81033-1 | 4 | |
| 32 | Bolt, M12 x 140 8.8 Hex Head Zinc | F81004-37 | 2 | |
| 33 | Washer, 13 Flat Zinc | F81056-1 | 2 | |
| 34 | Nut, M12-8-B Hex Zinc | F81034-1 | 2 | |
| | STOP ASSEMBLY, LOG CLAMP | K09485 | 1 | |
| 35 | Stop Weldment, Hydraulic Log Clamp Painted | 086980-1 | 1 | |
| 36 | Bolt, M12 x 40 8.8 Hex Head Full Thread Zinc | F81004-4 | 2 | |
| 37 | Washer, 13 Flat Zinc | F81056-1 | 2 | |
| 38 | Nut, M12-8 Hex Nylon Zinc Lock | F81034-2 | 2 | |

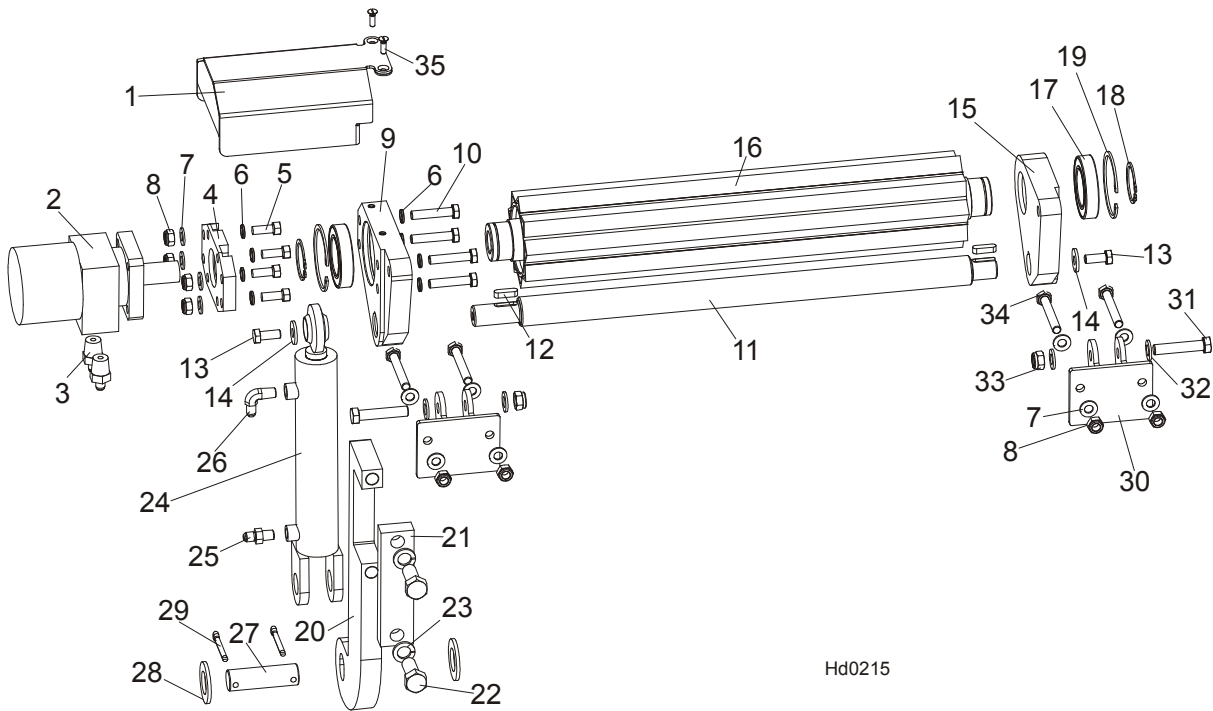
8.42 Hydraulic Toe Board



hd0072d

| REF. | DESCRIPTION (◆ Indicates Parts Available In Assemblies Only) | PART # | QTY |
|------|--|------------|-----|
| | HYDRAULIC TOE BOARD - FRONT | 092613 | 1 |
| | HYDRAULIC TOE BOARD - REAR | 092634 | 1 |
| 1 | Toe Board Weldment, Hydraulic - Front | 092612-1 | 1 |
| 1 | Toe Board Weldment, Hydraulic - Rear | 086253-1 | 1 |
| 2 | Bracket, Hydraulic Toe Board | 087903-1 | 2 |
| 3 | Bolt, M12x60-8.8 Hex Head Zinc | F81004-5 | 4 |
| 4 | Washer, 13 Flat Zinc | F81056-1 | 8 |
| 5 | Nut, M12 Hex Nylon Zinc Lock | F81034-2 | 4 |
| 6 | Bolt, M10x75-8.8 Hex Head Zinc | F81003-15 | 8 |
| 7 | Washer, 10.5 Flat Zinc | F81055-1 | 16 |
| 8 | Nut, M10 Hex Nylon Zinc Lock | F81033-1 | 8 |
| 9 | Bracket, Hydraulic Toeboard Mount | 087729-1 | 2 |
| 10 | Plate, Hydraulic Toeboard Mount | 090086-1 | 2 |
| 11 | Bolt, M16x40-8.8 Hex Head Full Thread Zinc | F81006-13 | 4 |
| 12 | Washer, 16.3 Split Lock Zinc | F81058-2 | 4 |
| 13 | Cylinder, CJ-S170-16-40/25/152 Hydraulic | 088681 | 2 |
| 14 | Pin, Cylinder Mount | 086979-1 | 2 |
| 15 | Washer, 28 Flat Zinc | F81061-1 | 8 |
| 16 | Pin, 3/16x1.5 Cotter Zinc | F05012-23 | 4 |
| 17 | Bolt, 1-8x3 1/4 Hex Head Grade 5 | F05009-51 | 2 |
| 18 | Nut, 1-14 Hex Jam Unplated | F05010-117 | 2 |
| 19 | Fitting, 1/4NPTx1/4JIC Male | P09143 | 4 |

8.43 Power Toe Roller (Option)



Hd0215

| REF. | DESCRIPTION (◆ Indicates Parts Available In Assemblies Only) | PART# | QTY |
|------|--|---------------|----------|
| | POWER ROLLER | 507688 | 1 |
| 1 | Cover, Hydraulic Motor | 507690-1 | 1 |
| 2 | Motor, MG06-13-13AAAB Hydraulic | P21506 | 1 |
| 3 | Fitting, 1/2-14NPT/ 7/16-20UNF | 096919 | 2 |
| 4 | Plate, Hydraulic Motor Mount | 096030-1 | 1 |
| 5 | Screw, 3/8-16x1 HHC | F05007-7 | 4 |
| 6 | Washer, 10.2 Split Lock Zinc | F81055-2 | 4 |
| 7 | Washer, 10.5 Flat Zinc | F81055-1 | 12 |
| 8 | Nut, M10-8-B Nylon Hex Zinc Lock | F81033-1 | 8 |
| 9 | Bracket, Side w/Hydromotor Connector | 507684-1 | 1 |
| 10 | Bolt, M10x50-8.8-Hex Head Full Thread Zinc | F81003-4 | 4 |
| 11 | Rod | 096034 | 1 |
| 12 | Key, A8x7x28 Parallel | 096035 | 2 |
| 13 | Bolt, M10x25 8.8 Hex Head Full Thread Zinc | F81003-31 | 2 |
| 14 | Washer, 10,5 Zinc Flat Special | F81055-6 | 2 |
| 15 | Bracket, Side Painted | 507687-1 | 1 |
| 16 | Roller Weldment, Pivot | 096028-1 | 1 |
| 17 | Bearing, 6009.2RSR | 096025 | 2 |
| 18 | Ring, Z45 Spring Retaining | F81090-32 | 2 |
| 19 | Ring, W75 Spring Retaining | F81090-41 | 2 |
| 20 | Plate, Toe Board Cylinder Mount | 087729-1 | 1 |
| 21 | Plate, Hydraulic Toe Board Mount | 090086-1 | 1 |
| 22 | Bolt, M16x40-8.8 Hex Head Full Thread Zinc | F81006-13 | 2 |
| 23 | Washer, 16.3 Split Lock Zinc | F81058-2 | 2 |
| | Cylinder, Hydraulic Toe Board | 085937 | 1 |
| 24 | Cylinder, CJ-S170-16-40/25/152 Hydraulic | 088681 | 1 |

Power Toe Roller (Option)

| | | | | |
|-----------|--|-----------|---|--|
| 25 | Fitting, C5205x4x4 Male | P09143 | 1 | |
| 26 | Fitting, 1/4NPTx1/4JIC Male Elbow | P09142 | 1 | |
| 27 | Pin, Hydraulic Cylinder Zinc | 086979-1 | 1 | |
| 28 | Washer, 28 Flat Zinc | F81061-1 | 2 | |
| 29 | Pin, S-Zn 6,3x45 | F81045-2 | 2 | |
| 30 | Bracket, Toe Board Roller Mount | 087903-1 | 2 | |
| 31 | Bolt, M12x60-8.8 Hex Head Zinc | F81004-5 | 2 | |
| 32 | Washer, 13 Zinc Flat | F81056-1 | 4 | |
| 33 | Nut, M12-8 Hex Nylon Zinc Lock | F81034-2 | 2 | |
| 34 | Bolt, M10x75-8.8-Hex Head Zinc | F81003-15 | 4 | |
| 35 | Screw, M5x12- 5.8-B Fe/Zn5 PN-85/M-82207 | F81001-31 | 2 | |