

Wood-Mizer[®] Sawmill

Parts Manual

LT70L AH

rev. A4.00



Safety is our #1 concern! Read and understand all safety information and instructions before operating, setting up or maintaining this machine.

May 2002

Form #1046

Table of Contents

Section-Page

| | | |
|------------------|---|------------|
| SECTION 1 | GENERAL INFORMATION | 1-1 |
| 1.1 | How To Use The Parts List | 1-1 |
| 1.2 | Sample Assembly | 1-1 |
| SECTION 2 | BLADE GUIDE ROLLERS & ARM | 2-1 |
| 2.1 | Blade Guide Assembly, Idle Side | 2-1 |
| 2.2 | Blade Guide Assembly, Drive Side | 2-3 |
| 2.3 | Blade Guide Arm Drive Assembly..... | 2-5 |
| SECTION 3 | BLADE WHEELS & TENSIONER | 3-1 |
| 3.1 | Blade Drive Assembly..... | 3-1 |
| 3.2 | Idle Blade Wheel Assembly | 3-3 |
| 3.3 | Hydraulic Blade Tensioner Assembly..... | 3-5 |
| 3.4 | Sawdust Flow Guide..... | 3-7 |
| SECTION 4 | SAW HEAD | 4-1 |
| 4.1 | Middle Throat Screw | 4-1 |
| 4.2 | Drive Belt Tensioner | 4-2 |
| 4.3 | Board Return Assembly (optional)..... | 4-3 |
| 4.4 | Water Lube Assembly | 4-5 |
| 4.5 | Saw Head Decals..... | 4-6 |
| 4.6 | Blade Housing Covers..... | 4-7 |
| 4.7 | Sawdust Chute | 4-8 |
| SECTION 5 | CONTROL BOXES | 5-1 |
| 5.1 | Control Assembly, LT70 AH | 5-1 |
| 5.2 | Drum Switches | 5-3 |
| 5.3 | Circuit Breakers..... | 5-4 |
| 5.4 | Front Panel Assembly & Harnesses | 5-5 |
| 5.5 | Solenoids | 5-6 |
| SECTION 6 | UP/DOWN SYSTEM | 6-1 |
| 6.1 | Up/Down Rollers & Covers | 6-1 |
| 6.2 | Blade Height Scale | 6-3 |
| 6.3 | Up/Down Chain & Sprockets..... | 6-5 |
| 6.4 | Up/Down Drive Assembly | 6-7 |
| SECTION 7 | FEED SYSTEM & TRACK ROLLERS | 7-1 |
| 7.1 | Upper Track Rollers And Wipers..... | 7-1 |
| 7.2 | Power Feed Assembly | 7-3 |
| 7.3 | Feed Chain/Stop | 7-4 |
| 7.4 | Lower Track Rollers..... | 7-6 |

Table of Contents

Section-Page

SECTION 8 BED FRAME ASSEMBLY

8-1

| | | |
|-----|--|------|
| 8.1 | Bed Rail Assembly, Front and Rear | 8-1 |
| 8.2 | Leg, Stationary | 8-3 |
| 8.3 | Pivot Bed Rail Assembly..... | 8-5 |
| 8.4 | Log Side Support Assembly (Manual) | 8-7 |
| 8.5 | Tie Down Chain Assembly | 8-9 |
| 8.6 | Bed Frame Decals..... | 8-10 |
| 8.7 | LT70 L Saw Head Support Assembly..... | 8-11 |

SECTION 9 HYDRAULIC SYSTEM

9-1

| | | |
|------|---|------|
| 9.1 | Hydraulic hoses, LT40/70L AH | 9-1 |
| 9.2 | Hydraulic Control Box, LT40/70 AH15/14 | 9-2 |
| 9.3 | Hydraulic Control Box | 9-5 |
| 9.4 | Hydraulic Power Supply Strip..... | 9-7 |
| 9.5 | Hydraulic Log Loader | 9-9 |
| 9.6 | Hydraulic Log Turner..... | 9-10 |
| 9.7 | Hydraulic Log Clamp,Front and Rear | 9-12 |
| 9.8 | Hydraulic Log Clamp | 9-14 |
| 9.9 | Hydraulic Toe Board, Middle..... | 9-16 |
| 9.10 | Hydraulic Log Side Supports (L Type Frame)..... | 9-18 |
| 9.11 | Hydraulic Toe Board | 9-20 |

SECTION 1 GENERAL INFORMATION

1.1 How To Use The Parts List

- Use the index above to locate the assembly that contains the part you need.
- Go to the appropriate section and locate the part in the illustration.
- Use the number pointing to the part to locate the correct part number and description in the table.
- Parts shown indented under another part are included with that part.
- Parts marked with a diamond (◆) are only available in the assembly listed above the part.

See the sample table below. Sample Part #A01111 includes part F02222-2 and subassembly A03333. Subassembly A03333 includes part S04444-4 and subassembly K05555. The diamond (◆) indicates that S04444-4 is not available except in subassembly A03333. Subassembly K05555 includes parts M06666 and F07777-77. The diamond (◆) indicates M06666 is not available except in subassembly K05555.

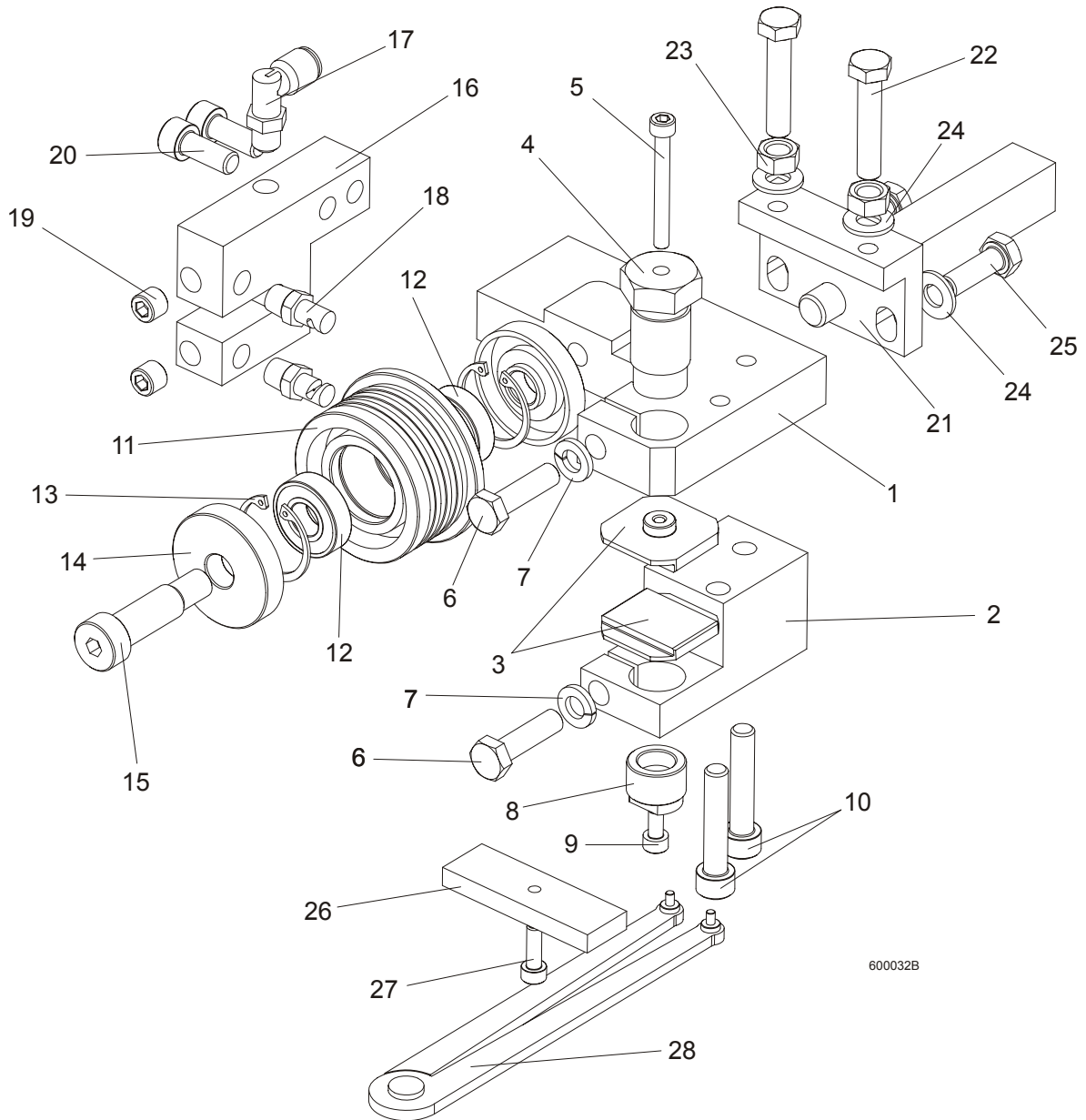
| 1.2 Sample Assembly | | | | |
|----------------------------|---|-----------|------|---|
| REF | DESCRIPTION (◆ Indicates Parts Available In Assemblies Only) | PART # | QTY. | |
| | Sample Assembly, Complete (Includes All Indented Parts Below) | A01111 | 1 | |
| 1 | Sample Part | F02222-22 | 1 | |
| | Sample Subassembly (Includes All Indented Parts Below) | A03333 | 1 | |
| 2 | Sample Part (◆ Indicates Part Is Only Available With A03333) | S04444-4 | 1 | ◆ |
| | Sample Subassembly (Includes All Indented Parts Below) | K05555 | 1 | |
| 3 | Sample Part (◆ Indicates Part Is Only Available With K05555) | M06666 | 2 | ◆ |
| 4 | Sample Part | F07777-77 | 1 | |

To Order Parts:

- From Europe call our European Headquarters and Manufacturing Facility in Kolo, Poland at **+48-63-2626000**. From the continental U.S., call our toll-free Parts hotline at **1-800-448-7881**. Have your customer number, vehicle identification number, and part numbers ready when you call.
- From other international locations, contact the Wood-Mizer distributor in your area for parts.

SECTION 2 BLADE GUIDE ROLLERS & ARM

2.1 Blade Guide Assembly, Idle Side



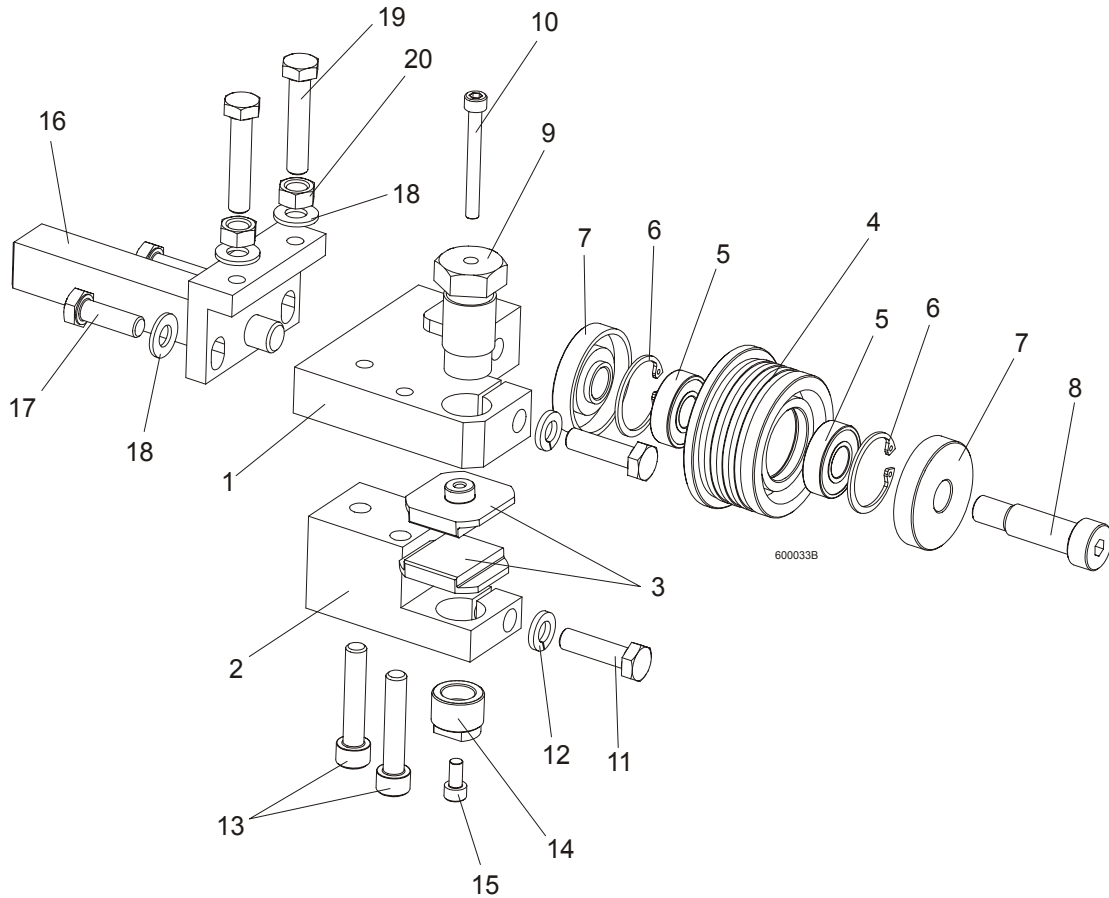
600032B

2 BLADE GUIDE ROLLERS & ARM

Blade Guide Assembly, Idle Side

| REF | DESCRIPTION (u Indicates Parts Available In Assemblies Only) | PART# | QTY. | |
|-----|---|-----------|------|--|
| | BLADE GUIDE ASSEMBLY, IDLE SIDE | 090943 | 1 | |
| | BLADE GUIDE ASSEMBLY, IDLE SIDE, EXTENDED (for optional use with 1 1/2" blades) | 092997 | 1 | |
| 1 | Block, Blade Guide Mount Zinc-plated | 090947-1 | 1 | |
| 2 | Block, Lower Ceramic Pad Mount Zinc-plated | 090948-1 | 1 | |
| 3 | Block, Blade Guide Zinc | 093430-1 | 2 | |
| 4 | Bolt, Upper Pad Adjustment Zinc-plated | 089515-1 | 1 | |
| 5 | Screw, M5x45 DIN912 A2-70 Hex Socket Head Cap Stainless Steel | F81000-24 | 1 | |
| 6 | Bolt, M8x30 DIN933 A2-70 Stainless Steel | F81002-27 | 2 | |
| 7 | Washer, 8.2 Split Lock Zinc | F81054-4 | 2 | |
| 8 | Screw, Lower Pad Adjuster Zinc-plated | 090945-1 | 1 | |
| 9 | Screw, M5x10 DIN912 A2-70 Hex Socket Head Cap Stainless Steel | F81000-23 | 1 | |
| 10 | Screw, M8x40-8.8 Hex Socket Head Cap Zinc | F81002-29 | 2 | |
| | Roller, Blade Guide Narrow W/Bearing | 088261 | 1 | |
| | Roller, Blade Guide W/Bearing, Extended | 092939 | 1 | |
| 11 | Roller, Blade Guide Narrow | 087889 | 1 | |
| 12 | Bearing, 6001 2RSR NACHI | 087893 | 2 | |
| 13 | Ring, W28 Inside Retaining | F81090-9 | 2 | |
| 14 | Washer, Blade Guide Roller Spacer Zinc-plated | 087891-1 | 2 | |
| 15 | Screw, 12/M10x30 12.9 ISO 7379 Socket Head Shoulder | F81003-70 | 1 | |
| | Screw, 12/M10x35 12.9 ISO 7379 Socket Head Shoulder, (used with the Extended Roller only) | F81003-48 | 1 | |
| 16 | Block, Nozzle Mounting Zinc-plated | 090487-1 | 1 | |
| 17 | Fitting, 90° Elbow 1/8NPT-1/4 Tube Swivel | P09736 | 1 | |
| 18 | Nozzle, Blade Lube Spray | 033479 | 2 | |
| 19 | Plug, M10x1 DIN 906 BN40 "BOSSARD" | F81015-3 | 2 | |
| 20 | Screw, M8x20-8.8 Hex Socket Head Cap Zinc | F81002-30 | 2 | |
| 21 | Pivot Weldment, Blade Guide Zinc-plated | 089509-1 | 1 | |
| 22 | Bolt, M8x40 DIN933 A2-70 Stainless Steel | F81002-28 | 2 | |
| 23 | Nut, M8 DIN934 A2-70 Stainless Steel | F81032-7 | 2 | |
| 24 | Washer, 8.4 Zinc Flat | F81054-1 | 4 | |
| 25 | Bolt, M8x25 DIN933 A2-70 Stainless Steel | F81002-26 | 2 | |
| | Block, Blade Guide Alignment | 090951 | 1 | |
| 26 | Block, Blade Guide Alignment Zinc-plated | 090805-1 | 1 | |
| 27 | Screw, M5x16-8.8 Hex Socket Head Cap Zinc | F81000-25 | 1 | |
| 28 | Tool, 62860-3 (PERSCHMAN) Lower Pad Adjustment | 090949 | 1 | |

2.2 Blade Guide Assembly, Drive Side

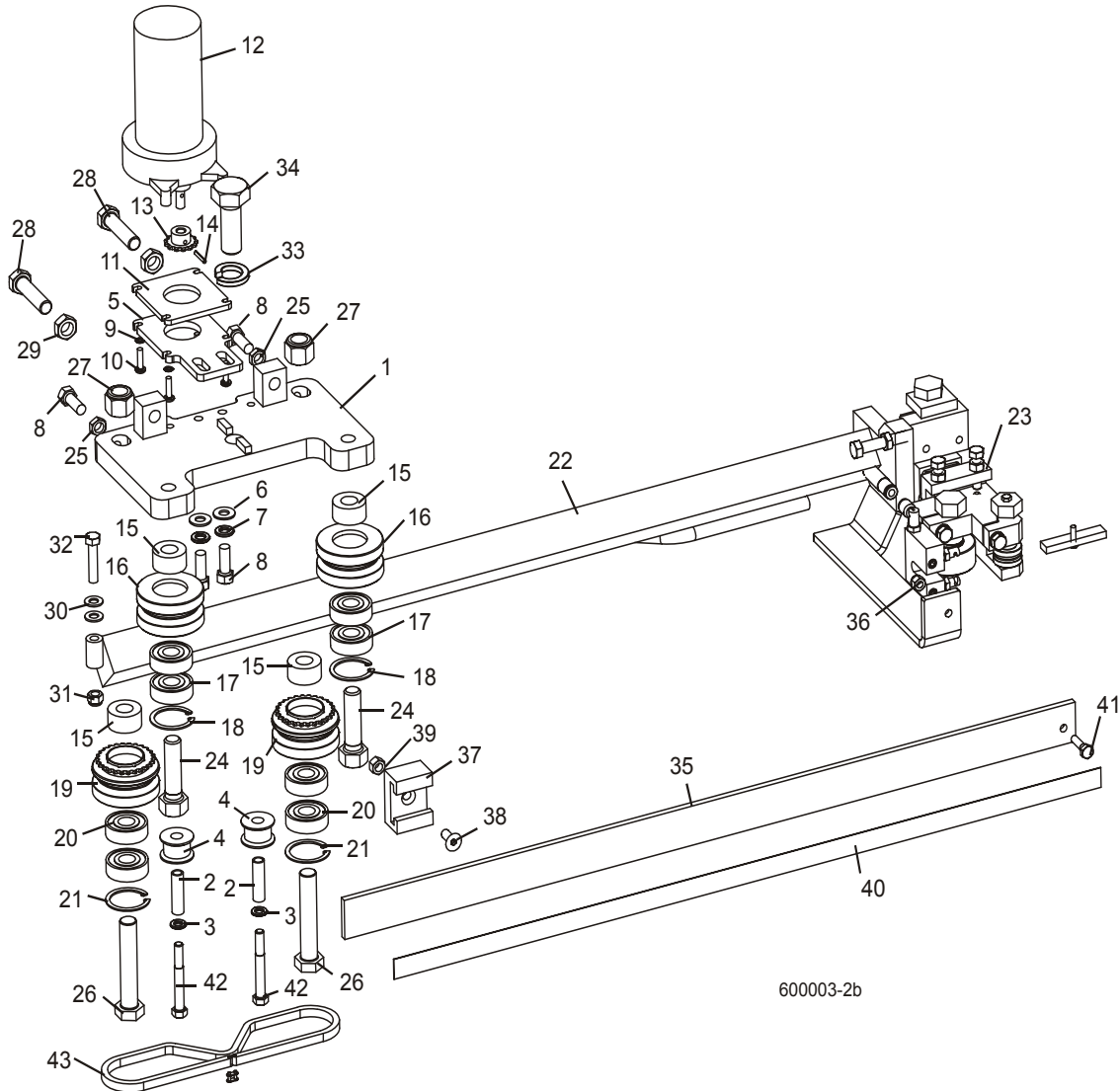


| REF | DESCRIPTION (u Indicates Parts Available In Assemblies Only) | PART # | QTY. | |
|-----|--|-----------|------|---|
| | BLADE GUIDE ASSEMBLY, DRIVE SIDE | 090942 | 1 | |
| | BLADE GUIDE ASSEMBLY, DRIVE SIDE, EXTENDED (for optional use with 1 1/2" blades) | 092998 | 1 | |
| 1 | Block, Blade Guide Mount Zinc-plated | 090944-1 | 1 | |
| 2 | Block, Lower Ceramic Pad Mount Zinc-plated | 090946-1 | 1 | |
| 3 | Block, Blade Guide Zinc | 093430-1 | 2 | |
| | Roller, Blade Guide Narrow W/Bearing | 088261 | 1 | |
| | Roller, Blade Guide W/Bearing, Extended | 092939 | 1 | |
| 4 | Roller, Blade Guide Narrow | 087889 | 1 | |
| 5 | Bearing, 6001 2RSR NACHI | 087893 | 2 | ◆ |
| 6 | Ring, W28 Inside Retaining | F81090-9 | 2 | |
| 7 | Washer, Blade Guide Roller Spacer Zinc-plated | 087891 | 2 | |
| 8 | Screw, 12/M10x30 12.9 ISO 7379 Socket Head Shoulder | F81003-70 | 1 | |
| | Screw, 12/M10x35 12.9 ISO 7379 Socket Head Shoulder (used with the Extended Roller only) | F81003-48 | 1 | |

2**BLADE GUIDE ROLLERS & ARM***Blade Guide Assembly, Drive Side*

| | | | | |
|-----------|---|-----------|---|--|
| 9 | Bolt, Upper Pad Adjustment | 089515 | 1 | |
| 10 | Screw, M5x45 DIN912 A2-70 Hex Socket Head Cap Stainless Steel | F81000-24 | 1 | |
| 11 | Bolt, M8x30 DIN933 A2-70 Stainless Steel | F81002-27 | 2 | |
| 12 | Washer, 8.2 Split Lock Zinc | F81054-4 | 2 | |
| 13 | Screw, M8x40-8.8 Hex Socket Head Cap Zinc | F81002-29 | 2 | |
| 14 | Screw, Lower Pad Adjustment Zinc-plated | 090945-1 | 1 | |
| 15 | Screw, M5x10 DIN912 A2-70 Hex Socket Head Cap Stainless Steel | F81000-23 | 1 | |
| 16 | Pivot Weldment, Blade Guide Zinc-plated | 089509-1 | 1 | |
| 17 | Bolt, M8x25 DIN933 A2-70 Stainless Steel | F81002-26 | 2 | |
| 18 | Washer, 8.4 Zinc Flat | F81054-1 | 4 | |
| 19 | Bolt, M8x40 DIN933 A2-70 Stainless Steel | F81002-28 | 2 | |
| 20 | Nut, M8 DIN934 A2-70 Stainless Steel | F81032-7 | 2 | |

2.3 Blade Guide Arm Drive Assembly



| REF | DESCRIPTION (u Indicates Parts Available In Assemblies Only) | PART# | QTY. |
|-----|--|-----------|------|
| | BLADE GUIDE ARM ASSEMBLY | 090950 | 1 |
| 1 | Plate Weldment, Blade Guide Arm Zinc-plated | 090800-1 | 1 |
| 2 | Bushing, 0.322 x 0.44 x 1 1/2" Spacer | S09996 | 2 |
| 3 | Washer, 5/16" Split Lock Zinc | F05011-13 | 2 |
| 4 | Roller, Chain Guide | 090801 | 2 |
| 5 | Plate, Blade Guide Motor Mount Ptd | 090803-1 | 1 |
| 6 | Washer, 10.5 Zinc Flat | F81055-1 | 2 |
| 7 | Washer, 3/8" Zinc Flat | F05011-4 | 2 |
| 8 | Bolt, M10 x 25 8.8 Hex Head Full Thread | F81003-31 | 4 |

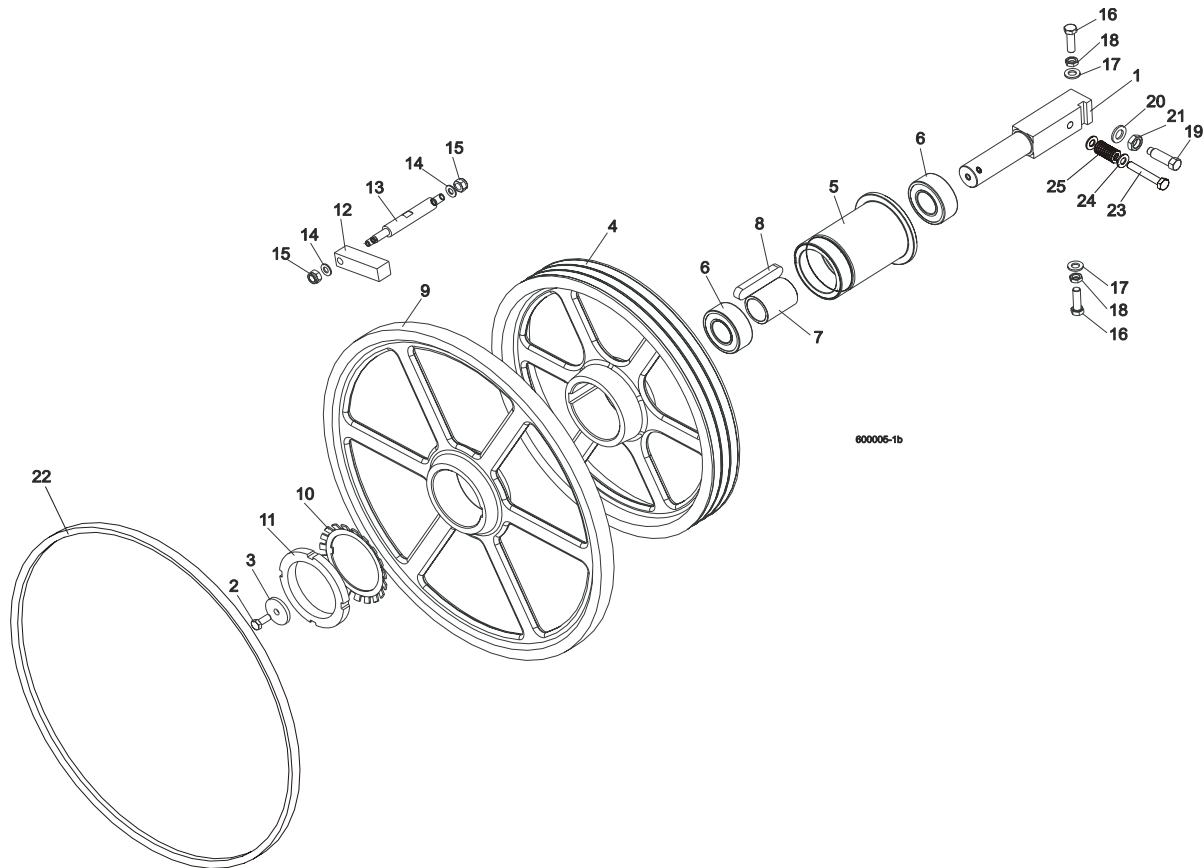
2 BLADE GUIDE ROLLERS & ARM

Blade Guide Arm Drive Assembly

| | | | | |
|----|---|-----------|---|--|
| 9 | Washer, 5.3 Zinc Flat | F81052-1 | 4 | |
| 10 | Screw, #10-32 x 3/4 CrS1 Phillips Head | F05004-38 | 4 | |
| 11 | Plate, Spacer Ptd | 090802-1 | 1 | |
| 12 | Motor, 53:1 Gear ASA Blade Guide Arm | P09698-1 | 1 | |
| 13 | Sprocket, 25B13 x .3130 | P09970 | 1 | |
| 14 | Pin, 3 x 14 Zinc Roll | F81044-4 | 1 | |
| 15 | Spacer, Drive Roller Zinc-plated | 090804-1 | 4 | |
| | ROLLER ASSEMBLY, BLADE GUIDE ARM IDLER | 042543 | 2 | |
| 16 | Housing, 2 1/2" V-Groove | 042536 | 1 | |
| 17 | Bearing, 6203-2NSL 5/8 | P06030-1 | 2 | |
| 18 | Ring, 1.575" ID 5002-156 Retaining | F04254-8 | 1 | |
| | ROLLER ASSEMBLY, BLADE GUIDE ARM DRIVE | 042542 | 2 | |
| 19 | Housing, 2 1/2" V-Groove W/Sprocket | 042541 | 1 | |
| 20 | Bearing, 6203-2NSL 5/8 | P06030-1 | 2 | |
| 21 | Ring, 1.575" ID 5002-156 Retaining | F04254-8 | 1 | |
| 22 | Arm Weldment, Blade Guide Zinc-plated | 090479-1 | 1 | |
| 23 | Blade Guide Parts (See Section 2.1) | | | |
| 24 | Bolt, 5/8-18 x 2 1/4 Hex Head Grade 5 | F05009-80 | 2 | |
| 25 | Nut, M10-04-W Zinc Hex Thin | F81033-6 | 2 | |
| 26 | Bolt, 5/8-18 x 3 1/4 Hex Head Grade 5 | F05009-80 | 2 | |
| 27 | Nut, 5/8-18 Hex Nylon Lock | F05010-71 | 2 | |
| 28 | Screw, M12 x 1.25 x 60-33H Zinc Hex Set W/Full Dog Point | F81004-52 | 2 | |
| 29 | Nut, M12 x 1.25 8.8 Zinc Hex Thin | F81034-5 | 2 | |
| 30 | Washer, 8.4 Zinc Flat | F81054-1 | 1 | |
| 31 | Nut, M8-8-B Hex Nylon Zinc Lock | F81032-2 | 1 | |
| 32 | Bolt, M8 x 40-8.8 Hex Head Full Thread Zinc | F81002-15 | 1 | |
| 33 | Washer, DIN 6319-21C Spherical | F81059-6 | 1 | |
| 34 | Bolt, M20 x 1.5 x 50-8.8-B Hex Head Full Thread Zinc | F81007-2 | 1 | |
| 35 | Guard, Blade | 088306 | 1 | |
| 36 | Nut, M6-8-B Hex Nylon Zinc LOck | F81031-2 | 1 | |
| 37 | Guide, Blade Guard | 088305 | 1 | |
| 38 | Screw, M8 x 25 Cross Recessed Countersunk Head Zinc | F81002-51 | 1 | |
| 39 | Nut, M8-8-B Hex Nylon Zinc Lock | F81032-2 | 1 | |
| 40 | Decal, Warning | 015849 | 1 | |
| 41 | Bolt, M6 x 20-8.8 Hex Head Full Thread Zinc | F81001-2 | 2 | |
| 42 | Screw, 12/M10 x 20 12.9 ISO7379(BOSSARD) Socket Head Shoulder | F81003-68 | 2 | |
| 43 | Chain, #25 x 92 PITCHES B/G | 093805 | 1 | |

SECTION 3 BLADE WHEELS & TENSIONER

3.1 Blade Drive Assembly



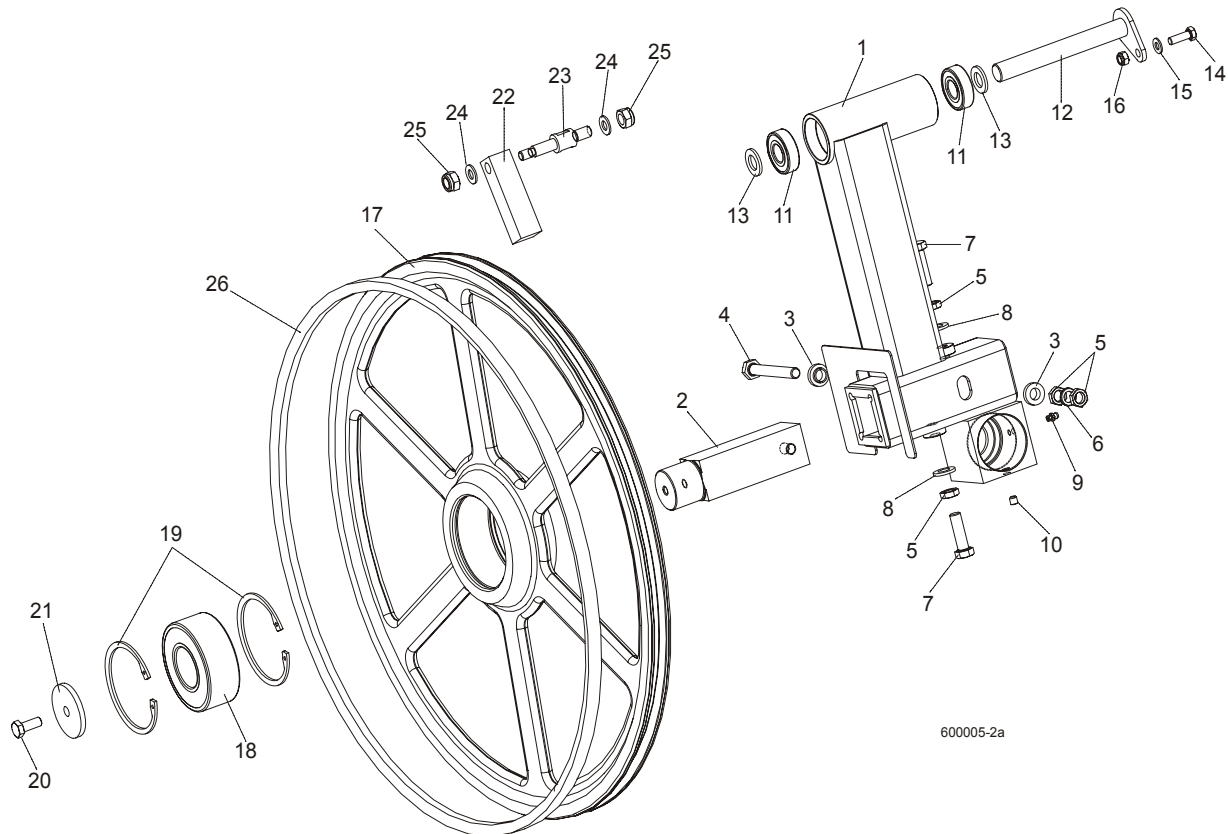
| REF | DESCRIPTION (◆ Indicates Parts Available In Assemblies Only) | PART # | QTY. |
|-----|--|-----------|------|
| 1 | SHAFT, BLADE DRIVE WHEEL | 088475 | 1 |
| 2 | BOLT, M10x25 8.8 HEX HEAD FULL THREAD | F81003-31 | 1 |
| 3 | WASHER, BLADE DRIVE WHEEL | 088956-1 | 1 |
| | PULLEY ASSEMBLY, BLADE DRIVE (AC) | 089493 | 1 |
| 4 | Pulley, 3-Groove | 088446-1 | 1 |
| 5 | Bushing, Blade Drive Wheel | 088476 | 1 |
| 6 | Bearing, 3208.2rsr.tvh (FAG) Rolling | 088449 | 2 |
| 7 | Spacer, Drive Bearing | 088478 | 1 |
| 8 | Key, A20x12x100 Parallel | 088477 | 1 |
| 9 | WHEEL, BLADE DRIVE | 090811 | 1 |
| 10 | WASHER, MB21 (FAG) LOCK | 088451 | 1 |
| 11 | NUT, KM21(M105X2) (FAG) LOCK | 088450 | 1 |
| 12 | BAR, WHEEL SCRAPER | 088781 | 1 |
| 13 | SHAFT, WHEEL SCRAPER | 088780-1 | 1 |

3 Blade Wheels & Tensioner

Blade Drive Assembly

| | | | | |
|----|--|-----------|---|--|
| 14 | WASHER, 10.5 ZINC FLAT | F81055-1 | 2 | |
| 15 | NUT, M12-8 HEX NYLON ZINC LOCK | F81034-2 | 2 | |
| 16 | BOLT, M12X1.25X40 HEX HEAD | F81004-42 | 3 | |
| 17 | WASHER, 13 FLAT ZINC | F81056-1 | 3 | |
| 18 | NUT, M12X1.25 8.8 THIN ZINC | F81034-5 | 3 | |
| 19 | SCREW, M16X1.5X50-33H HEX HEAD FULL DOG POINT SET ZINC | F81006-14 | 1 | |
| 20 | WASHER, 17 ZINC FLAT | F81058-1 | 1 | |
| 21 | NUT, M16x1.5-08-B ZINC THIN | F81036-6 | 1 | |
| 22 | BELT, BLADE WHEEL B72.5 | 017922 | 1 | |
| 23 | BOLT M10X65 | F81003-67 | 1 | |
| 24 | WASHER, 10.5 ZINC FLAT | F81055-1 | 2 | |
| 25 | SPRING19X38 | 034430 | 1 | |

3.2 Idle Blade Wheel Assembly



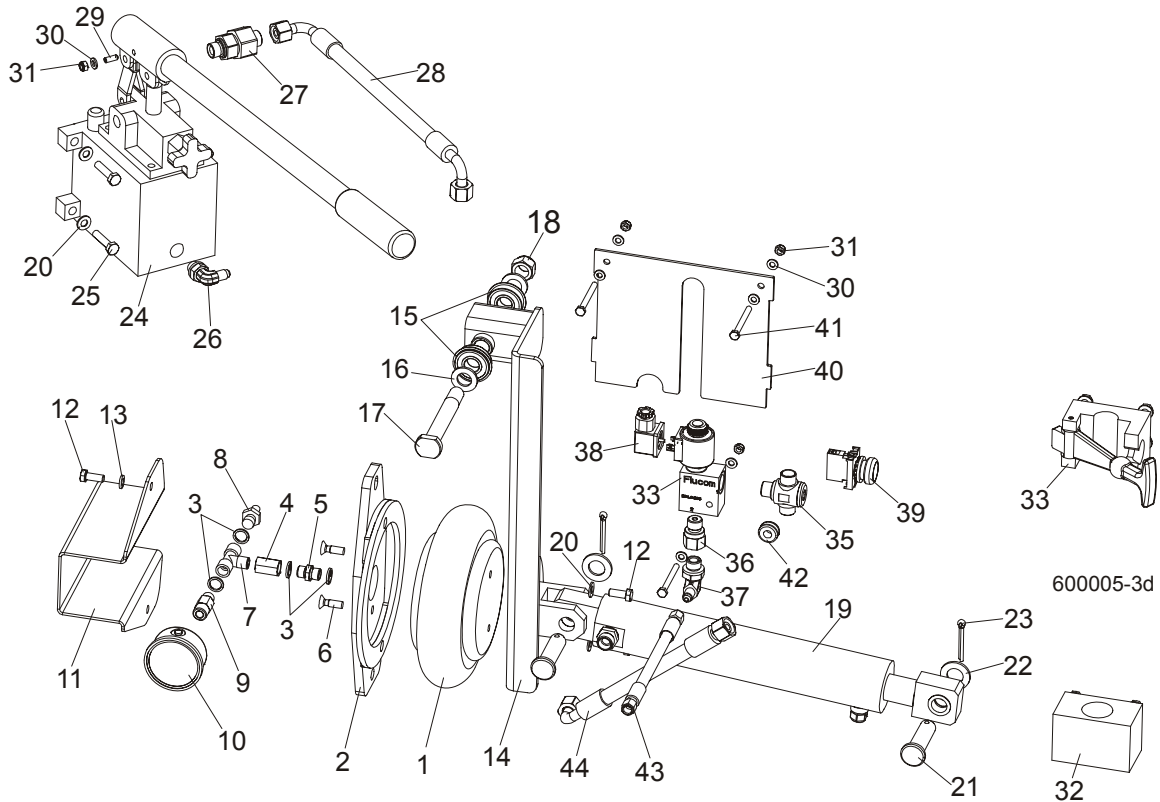
| REF | DESCRIPTION (◆ Indicates Parts Available In Assemblies Only) | PART # | QTY. |
|-----|--|-----------|------|
| | TUBE WELDMENT, LT60 IDLE SIDE BLADE WHEEL COMPLETE | 088762 | 1 |
| 1 | Tube Weldment, LT60 Idle Blade Wheel | 088434-1 | 1 |
| 2 | Shaft, Idle Blade Wheel | 088474 | 1 |
| 3 | Washer, Zinc Special | 086769-1 | 2 |
| 4 | Bolt, M12x1.25x100-8.8 Hex Head Zinc | F81004-41 | 1 |
| 5 | Nut, M12x1.25 8.8 Hex ZincThin | F81034-5 | 4 |
| 6 | Washer, Z12.2 Split Zinc Lock | F81056-2 | 1 |
| 7 | Bolt, M12x1.25x40 Hex Head | F81004-42 | 2 |
| 8 | Washer, 13 Zinc Flat | F81056-1 | 2 |
| 9 | Fitting, M6 Straight Grease | 086280 | 1 |
| 10 | Screw, M8x8-33H Hex Socket Set Flat Point Zinc | F81014-1 | 1 |
| 11 | Bearing, 6204 2RS-CX Rolling | 088447 | 2 |
| 12 | PIN WELDMENT, PIVOT | 088759-1 | 1 |
| 13 | WASHER, 17 ZINC FLAT | F81058-1 | 2 |
| 14 | BOLT, M8X25-8.8-B HEX HEAD FULL THREAD ZINC | F81002-5 | 1 |
| 15 | WASHER, 8.4 ZINC FLAT | F81054-1 | 1 |
| 16 | NUT, M8-8-B HEX NYLON ZINC LOCK | F81032-2 | 1 |

3 Blade Wheels & Tensioner

Idle Blade Wheel Assembly

| | | | | |
|----|--|-----------|---|--|
| | WHEEL ASSEMBLY, IDLE SIDE | 090952 | 1 | |
| 17 | Wheel, Blade Idle Side | 090810-1 | 1 | |
| 18 | Bearing, 3309B.2RSR.TVH-P66 FAG | 086428 | 1 | |
| 19 | Ring, W100 Spring Retaining | F81090-10 | 2 | |
| 20 | BOLT, M10X25 8.8 HEX HEAD FULL THREAD | F81003-31 | 1 | |
| 21 | WASHER, IDLE BLADE WHEEL RETAINING | 088957-1 | 1 | |
| 22 | SCRAPER, IDLE BLADE WHEEL | 088781 | 1 | |
| 23 | SHAFT, SHORT ZINC WHEEL SCRAPER | 088779-1 | 1 | |
| 24 | WASHER, 10.5 ZINC FLAT | F81055-1 | 2 | |
| 25 | NUT, M12-8 HEX NYLON ZINC LOCK | F81034-2 | 2 | |
| 26 | BELT, BLADE WHEEL B72.5 | 017922 | 1 | |

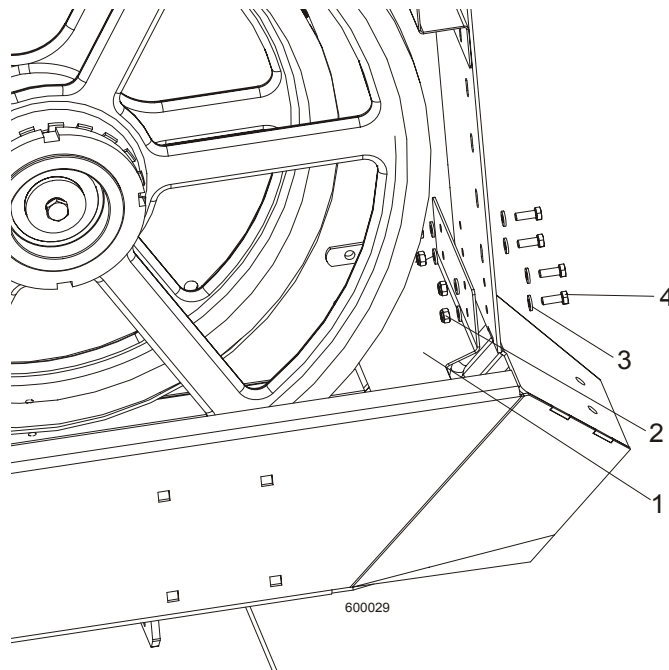
3.3 Hydraulic Blade Tensioner Assembly



| REF | DESCRIPTION (◆ Indicates Parts Available In Assemblies Only) | PART # | QTY. |
|-----|--|-----------|------|
| | HYDRAULIC BLADE TENSIONER, COMPLETE | 092775 | 1 |
| 1 | Bag, POJ 192 308 100 0 Air | 088576 | 1 |
| 2 | Bracket, Air Bag Mount | 088798-1 | 1 |
| 3 | Seal, G1/4 866-014-000-0 | 090809 | 4 |
| 4 | Fitting, 1/4 Female Thread/1/4 Female Thread 893-302-000-4 | 090808 | 1 |
| 5 | Nipple, 1/4 Thread/1/4 Thread 893-104-430-4 | 090807 | 1 |
| 6 | Wkręt z łbem stożk. M8x25 Fe/Zn5 PN-M/82208 | F81002-51 | 2 |
| 7 | Fitting, PO 2301 002 2 Tee Connector | 088573 | 1 |
| 8 | Fitting, 1/4" Thread 390 004 004 0 (REXROTH) Air Tank Valve | 088575 | 1 |
| 9 | Fitting, 1/8" Thread x 1/4" Thread | 088571 | 1 |
| 10 | Gauge, M63T-2,5/20G G 1/8 0-0,6 MPa/PSI Air Pressure | 088568 | 1 |
| 11 | Guard, Air Pressure Gauge | 088924-1 | 1 |
| 12 | Screw, M8x25 Cross Recessed Countersunk Head Zinc | F81002-4 | 4 |
| 13 | Washer 8.2 Zinc Split | F81054-4 | 2 |
| 14 | Ramię siłownika pneumatycznego mal. | 092779-1 | 1 |
| 15 | Bearing w/Snap Ring 6203-2RS | 086395 | 2 |
| 16 | Washer, M16, Flat Zinc | F81058-1 | 2 |
| 17 | Pin, Idler Arm Mount | 086404 | 1 |

| | | | | |
|----|---|-----------|---|--|
| 18 | Nut, M16, Hex, Nylon Zinc Lock | F81036-2 | 2 | |
| 19 | Siłownik hydrauliczny kpl. | 092788 | 1 | |
| 20 | Washer, 8.4 Zinc Flat | F81054-1 | 6 | |
| 21 | Sworzeń PN-EN 22341-B-18x65x57-A2 | F81049-4 | 2 | |
| 22 | Washer, 19 Fe/Zn5 PN-M/82005 | F81060-1 | 2 | |
| 23 | Pin, S-Zn 5x40 PN-M/82001 | F81043-31 | 2 | |
| 24 | Pompa ręczna PMS12/TNK1 z 1 litr. zbiorn. | 092789 | 1 | |
| 25 | Bolt, 8mm x 1.25x35mm HH Zinc | F81002-13 | 4 | |
| 26 | Kolanko, CA-204410-3 | 094562 | 1 | |
| 27 | Zawór zwrotny, RHV12LREDA3C | 094559 | 1 | |
| 28 | Wąż DN12 z końc. PN10AOL90 M18x1,5 | 094565 | 1 | |
| 29 | Zatrask kulkowy gwint. GN615.3-M6-KN | 096874 | 1 | |
| 30 | Washer, M6, Flat, Zinc | F81053-1 | 7 | |
| 31 | Nut, M6, Hex, Nylon Lock Zinc | F81031-2 | 4 | |
| 32 | Uchwyt dolny dźwigni pompy napinacza | 096951 | 1 | |
| 33 | Górny uchwyt dźwigni pompy napinacza | 092800 | 1 | |
| 34 | Zawór ECP 20/22B2 | 094564 | 1 | |
| 35 | Trójnik HD-TH-12L-BE-06 | 094560 | 1 | |
| 36 | Złączka dławiąca, specjalna G 3/8 | 096849 | 1 | |
| 37 | Kolanko, CA-204411-3 | 094563 | 1 | |
| 38 | Złącze elektrozaworu 300.11.00 | 094555 | 1 | |
| 39 | Przycisk monostabilny M22 płaski, zielony | 094581 | 1 | |
| 40 | Pokrywa elektrozaworu - mal. | 094569-1 | 1 | |
| 41 | Bolt, M6x60mm Hex Head, Zinc | F81001-9 | 3 | |
| 42 | Grommet, Rubber 3/8 ID | 025248 | 1 | |
| 43 | Wąż 1/4 z końcówkami JIC 7/16-20 | 092806 | 1 | |
| 44 | Wąż DN12 z końc. PN10AOL90 i PN10AOL M1.5 | 096964 | 1 | |

3.4 Sawdust Flow Guide

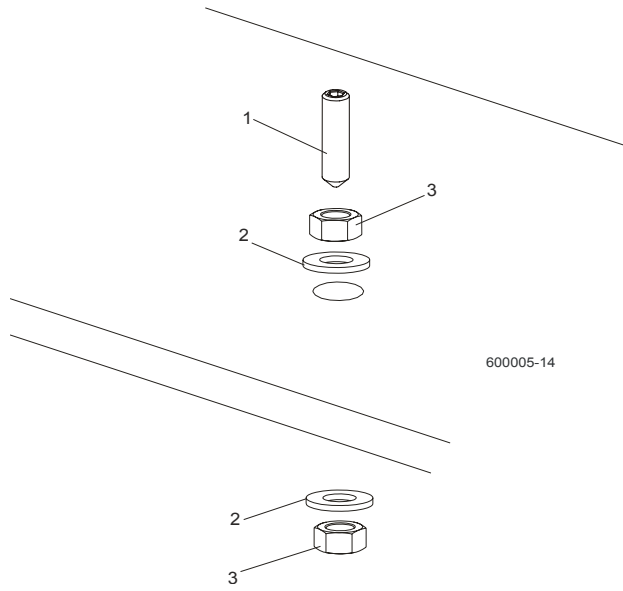


| REF | DESCRIPTION (◆ Indicates Parts Available In Assemblies Only) | PART # | QTY. | |
|-----|--|-----------|------|--|
| 1 | Guide, Sawdust Flow Painted | 090506 | 1 | |
| 2 | Nut, M6-8-B Hex Nylon Zinc Lock | F81031-2 | 4 | |
| 3 | Washer 6.4 Zinc Flat | F81053-1 | 8 | |
| 4 | Bolt, M6x16-8.8, Hex Head Full Thred, Zinc | F81001-32 | 4 | |

4 Saw Head
Middle Throat Screw

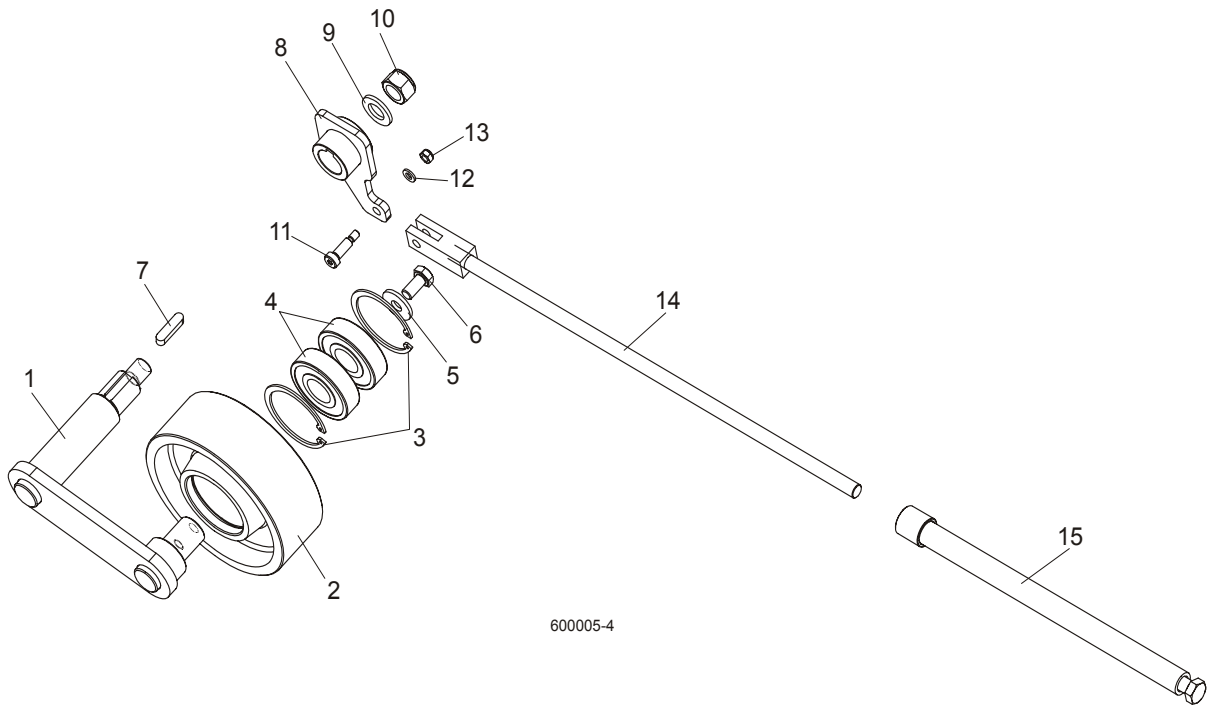
SECTION 4 SAW HEAD

4.1 Middle Throat Screw



| REF | DESCRIPTION (◆ Indicates Parts Available In Assemblies Only) | PART # | QTY. | |
|-----|--|-----------|------|--|
| 1 | SCREW, M10X40-45H HEX SOCKET SET CONE POINT ZINC | F81003-61 | 1 | |
| 2 | WASHER, 10.5 ZINC FLAT | F81055-1 | 2 | |
| 3 | NUT, M10-8-B ZINC HEX | F81033-3 | 2 | |

4.2 Drive Belt Tensioner

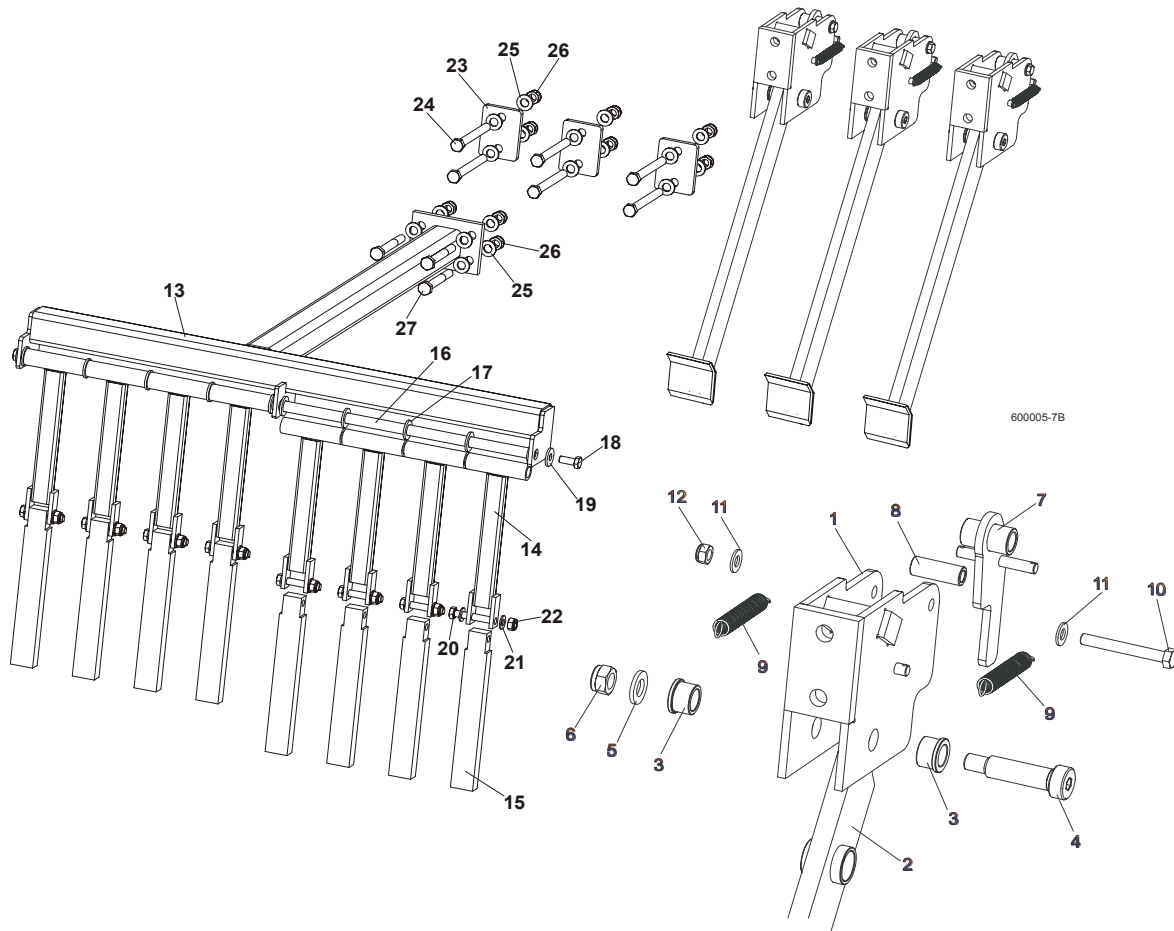


| REF | DESCRIPTION (◆ Indicates Parts Available In Assemblies Only) | PART # | QTY. |
|-----|--|-----------|------|
| | TENSIONER ASSEMBLY, DRIVE BELT | 088786 | 1 |
| 1 | Pivot Weldment, Drive Belt Tensioner | 088810-1 | 1 |
| 2 | Wheel, Belt Tension | 088814 | 1 |
| 3 | Ring, 62 mm Inside Spring Retaining | F81090-1 | 2 |
| 4 | Bearing, 6305 2RS NSK | P08066 | 2 |
| 5 | Washer, 11 Dia. Zinc Flat Special | 088787-1 | 1 |
| 6 | Bolt, M10x20-5.8 Hex Head Full Thread Zinc | F81003-1 | 1 |
| 7 | Key, A8X7X32 Parallel | 088564 | 1 |
| 8 | Arm Weldment, Drive Belt Tensioner | 088807-1 | 1 |
| 9 | Washer, 17 Zinc Flat | F81058-1 | 1 |
| 10 | Nut, M16-5.8 Zinc Hex | F81036-2 | 1 |
| 11 | Bolt, 8/M6X20 12.9 ISO 7379 BOSSARD | F81001-25 | 1 |
| 12 | Washer 6.4 Zinc Flat | F81053-1 | 1 |
| 13 | Nut, M6-8-B Hex Nylon Zinc Lock | F81031-2 | 1 |
| 14 | Rod Weldment, Threaded Zinc-Plated | 088789-1 | 1 |
| 15 | Tube Weldment, Threaded Zinc-Plated | 088782-1 | 1 |

4 Saw Head

Board Return Assembly (optional)

4.3 Board Return Assembly (optional)



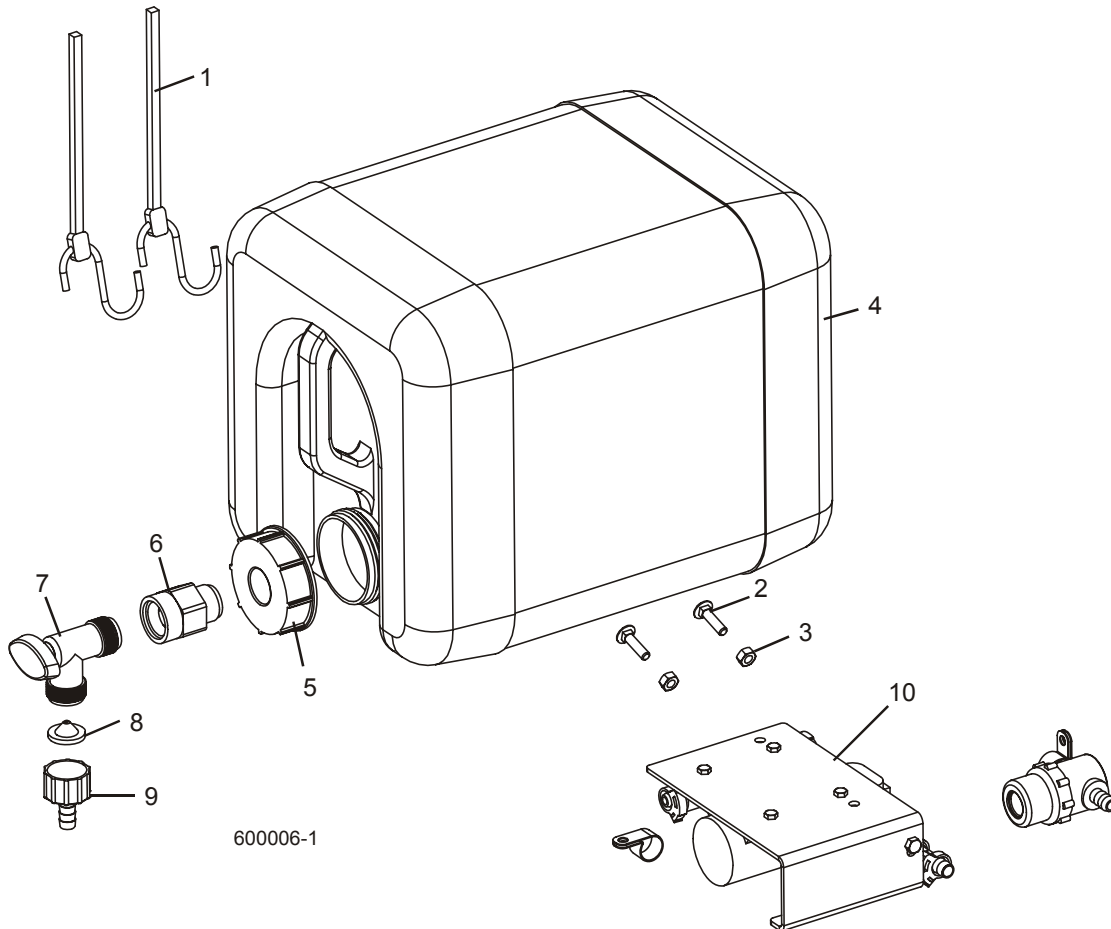
| REF | DESCRIPTION (◆ Indicates Parts Available In Assemblies Only) | PART # | QTY. |
|-----|--|-----------|------|
| | BOARD RETURN ASSEMBLY, LT70 | 092757 | 1 |
| | Board Return Assembly | 090120 | 3 |
| 1 | Mount Weldment, Board Return Arm | 090109-1 | 3 |
| 2 | Arm, Board Return | 090112-1 | 3 |
| 3 | Bushing, Bronze | 086676 | 6 |
| 4 | Bolt, 16/M12x50-12.9 ISO7379-BOSSARD Socket Head | F81004-25 | 3 |
| 5 | Washer, 13 Zinc Flat | F81056-1 | 3 |
| 6 | Nut, M12-8 Hex Nylon Zinc Lock | F81034-2 | 6 |
| 7 | Latch Weldment, Board Return Arm | 090118-1 | 3 |
| 8 | Spacer, Zinc | 090115-1 | 3 |
| 9 | Spring, 1/2 x 2 1/4 x 0,06 Extension | 014817 | 6 |
| 10 | Bolt, M8 x 65-5.8 Hex Head Zinc | F81002-3 | 3 |
| 11 | Washer, 8.4 Zinc Flat | F81054-1 | 6 |

| | | | | |
|-----------|--|-----------|----|--|
| 12 | Nut, M8-8-B Hex Nylon Zinc Lock | F81032-2 | 3 | |
| | Guide, Board Return | 091076 | 1 | |
| 13 | Guide Weldment, Board Return | 091067-1 | 1 | |
| 14 | Bar Weldment, Board Guide Upper | 091070-1 | 8 | |
| 15 | Bar, Board Guide Lower Aluminium | 091071 | 8 | |
| 16 | Rod, Board Return Guide | 091074 | 1 | |
| 17 | Washer, M16, Flat Zinc | F81058-1 | 10 | |
| 18 | Bolt, M10x25 8.8, Hex Head, Full Thrd, Zinc | F81003-31 | 2 | |
| 19 | Washer, 10,5 Fe/Zn5 | F81055-6 | 2 | |
| 20 | Bolt, M10x60 -8.8, Hex Head, Full Thrd, Zinc | F81003-10 | 8 | |
| 21 | Washer, M10, Flat Zinc | F81055-1 | 16 | |
| 22 | Nut, M10, Nylon Hex Zinc Lock | F81033-1 | 8 | |
| 23 | Washer, Special | 092756-1 | 3 | |
| 24 | Bolt, M12x120, Hex Head, Full Thrd, Zinc | F81004-38 | 6 | |
| 25 | Washer, 13 Zinc | F81056-1 | 20 | |
| 26 | Nut, M12 Hex Nylon Zinc Lock | F81034-2 | 10 | |
| 27 | Bolt, M12x100, Hex Head, Full Thrd, Zinc | F81004-3 | 4 | |

4 Saw Head

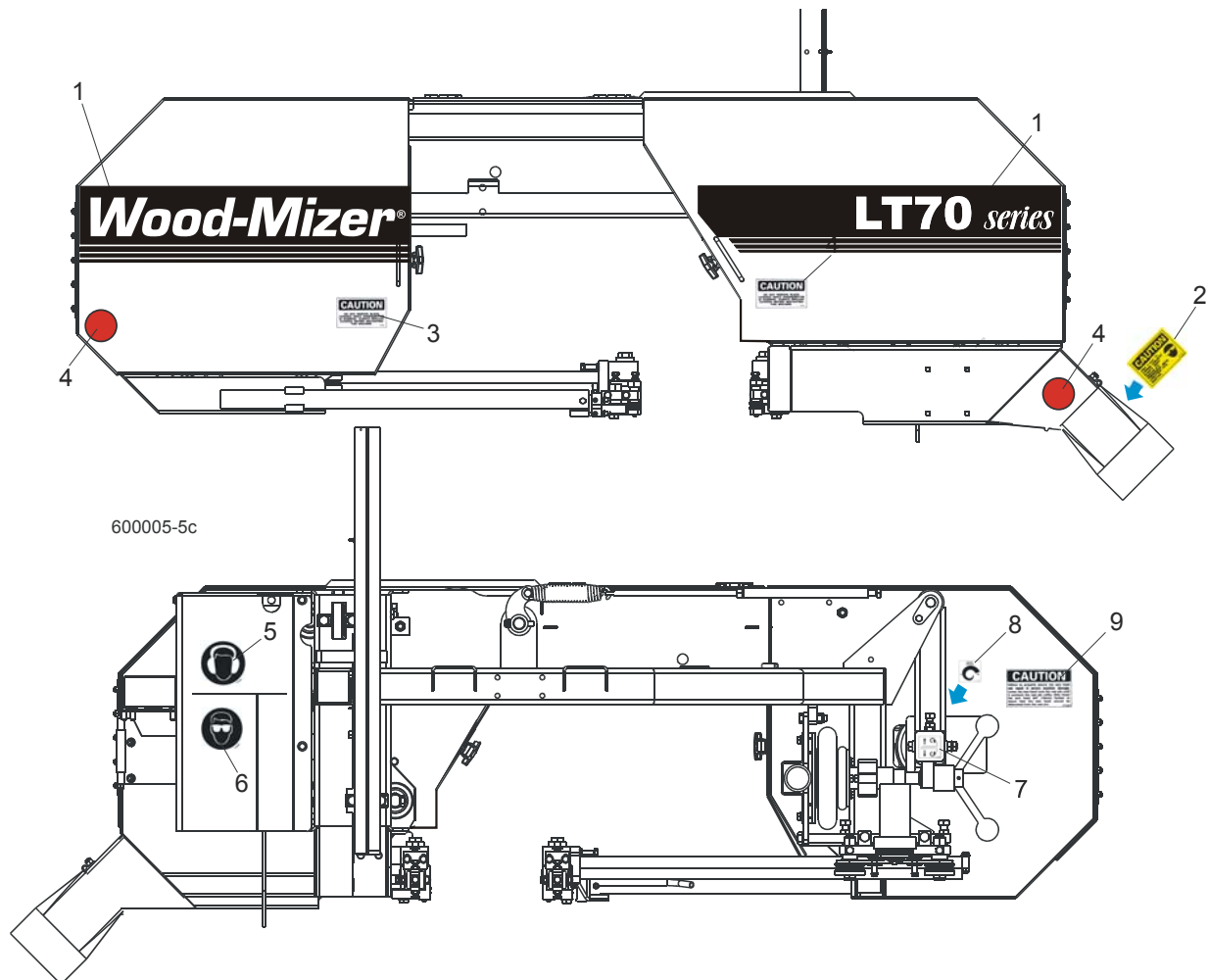
Water Lube Assembly

4.4 Water Lube Assembly



| REF | DESCRIPTION (◆ Indicates Parts Available In Assemblies Only) | PART # | QTY. | |
|-----|--|-----------|------|---|
| 1 | STRAP, 20" RUBBER | P11668 | 2 | |
| 2 | BOLT, 1/4-20 X 1" CARRIAGE HEAD | F05005-34 | 2 | |
| 3 | NUT, 1/4-20 HEX LOCK | F05010-21 | 2 | |
| 4 | BOTTLE, 5-GALLON WATER LUBE | 014637 | 1 | ◆ |
| 5 | CAP, WATER LUBE BOTTLE BUTTRESS THREAD | 016123 | 1 | |
| 6 | FITTING, 3/4FPT X 3/4MPT | 014636 | 1 | |
| 7 | FITTING, WATER LUBE SHUTOFF VALVE | 014100 | 1 | |
| 8 | FILTER, WATER LUBE | 016086 | 1 | |
| 9 | FITTING, 5/8" NPT TO 3/8" HOSE BARB | 014113 | 1 | |
| 10 | LUBEMIZER PARTS/HOSES (SEE LUBEMIZER OPTION MANUAL) | | | |

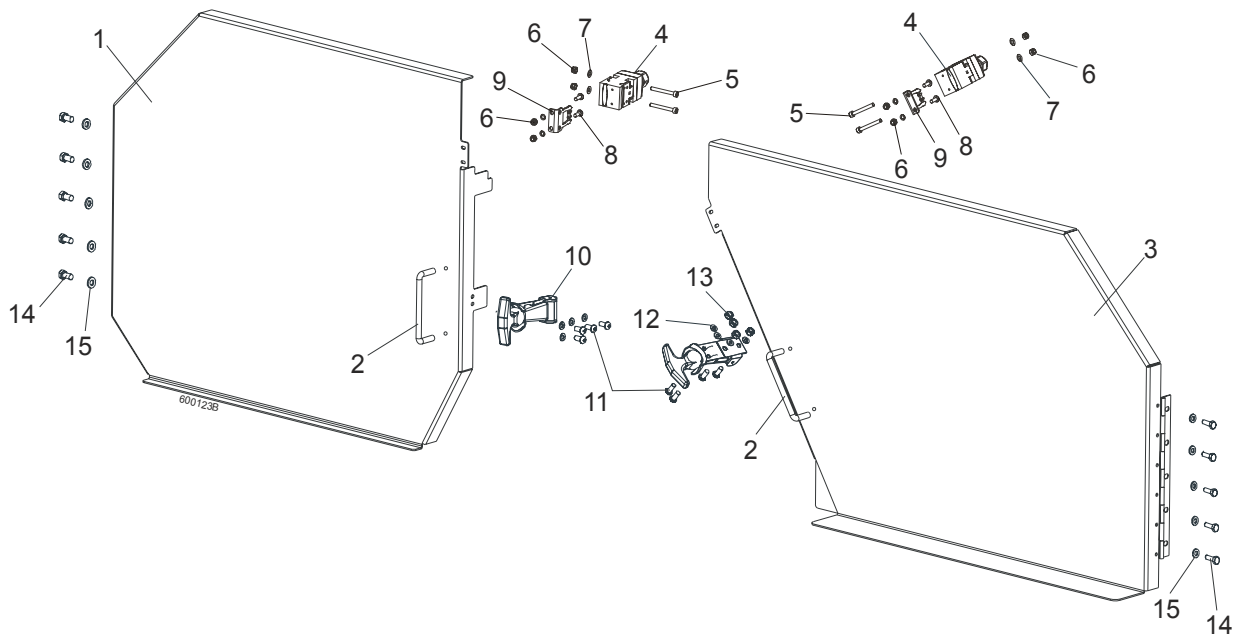
4.5 Saw Head Decals



| REF | DESCRIPTION (◆ Indicates Parts Available In Assemblies Only) | PART # | QTY. |
|-----|--|---------|------|
| 1 | DECAL, LT70 LOGO | 092764 | 1 |
| 2 | DECAL, SAWDUST CHUTE CAUTION | P11754 | 1 |
| 3 | DECAL, BLADE COVERS DANGER | S20039 | 2 |
| 4 | REFLECTOR, 2" RED | P07452 | 2 |
| 5 | DECAL, EYE WARNING | S12004G | 1 |
| 6 | DECAL, EAR WARNING | S12005G | 1 |
| 7 | DECAL, BLADE ALIGNMENT | P11789 | 1 |
| 8 | DECAL, BLADE TENSION SCREW | P11790 | 1 |
| 9 | DECAL, SAW HEAD REST CAUTION | S12581 | 1 |

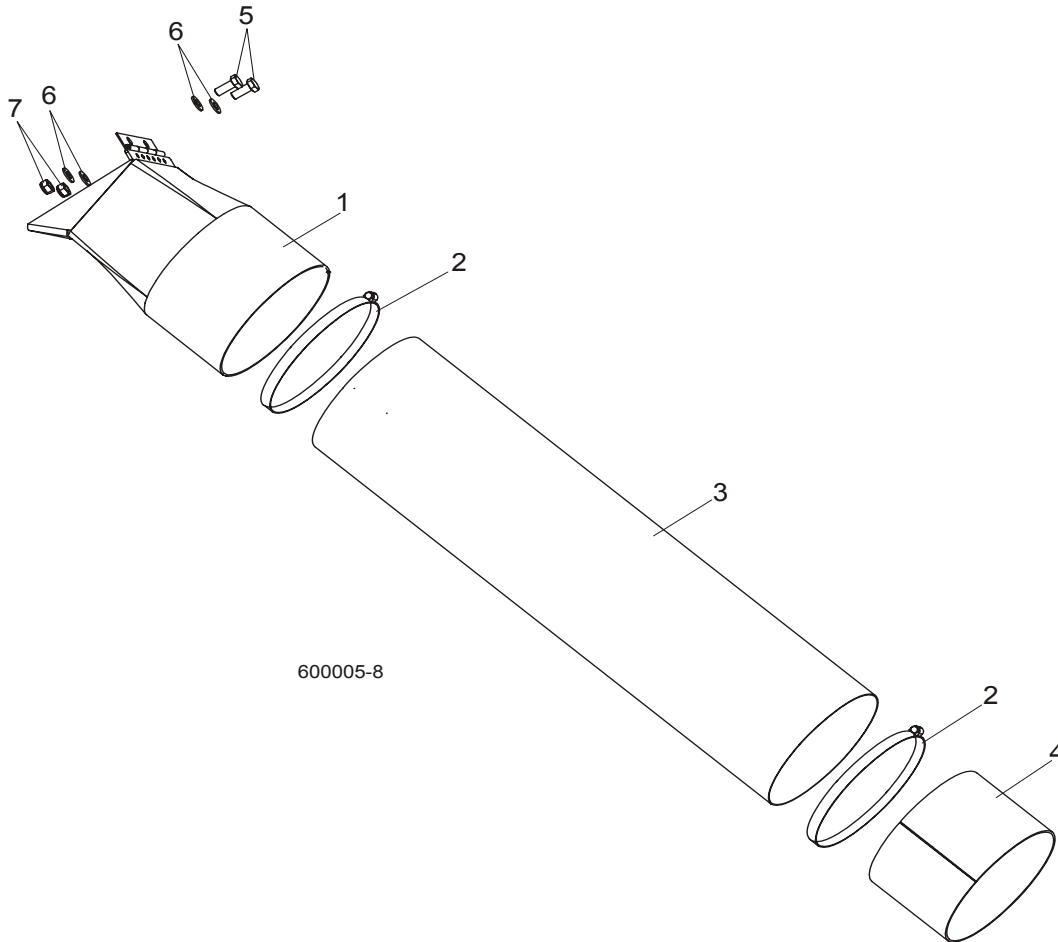
4 Saw Head Blade Housing Covers

4.6 Blade Housing Covers



| REF | DESCRIPTION (◆ Indicates Parts Available In Assemblies Only) | PART # | QTY. |
|-----|--|-----------|------|
| | COVER ASSEMBLY, IDLE SIDE BLADE HOUSING | 088920 | 1 |
| 1 | Cover Assembly, Idle Side Blade Housing, Ptd | 088915-1 | 1 |
| 2 | Handle, Blade Housing Cover | P08065 | 1 |
| | COVER ASSEMBLY, DRIVE SIDE BLADE HOUSING | 088921 | 1 |
| 3 | Cover Assembly, Drive Side Blade Housing, Ptd | 088917-1 | 1 |
| 2 | Handle, Blade Housing Cover | P08065 | 1 |
| 4 | LIMIT SWITCH, HONEYWELL GKMB 23W2 | 086681 | 2 |
| 5 | BOLT, M4 X 35-8.8 SOCKET HEAD | F81011-34 | 4 |
| 6 | NUT, M4-B HEX NYLON ZIN | F81028-2 | 8 |
| 7 | WASHER 4,3 ZINC, FLAT | F81051-2 | 8 |
| 8 | SCREW, M4 X 12-5.8 | F81011-41 | 4 |
| 9 | KEY, AZ17/170-B5 SAFETY SWITCH | 094422 | 4 |
| 10 | LATCH, FLEXIBLE DRAW | 014829 | 2 |
| 11 | BOLT, M5X12-5.8 | F81000-5 | 8 |
| 12 | WASHER 5,3 ZINC FLAT | F81052-1 | 8 |
| 13 | NUT M5-8 DIN 985 ZINC | F81030-2 | 8 |
| 14 | BOLT, M6X16 8.8 HEX HEAD FULL THREAD ZINC | F81001-15 | 10 |
| 15 | WASHER 6.4 ZINC FLAT | F81053-1 | 10 |

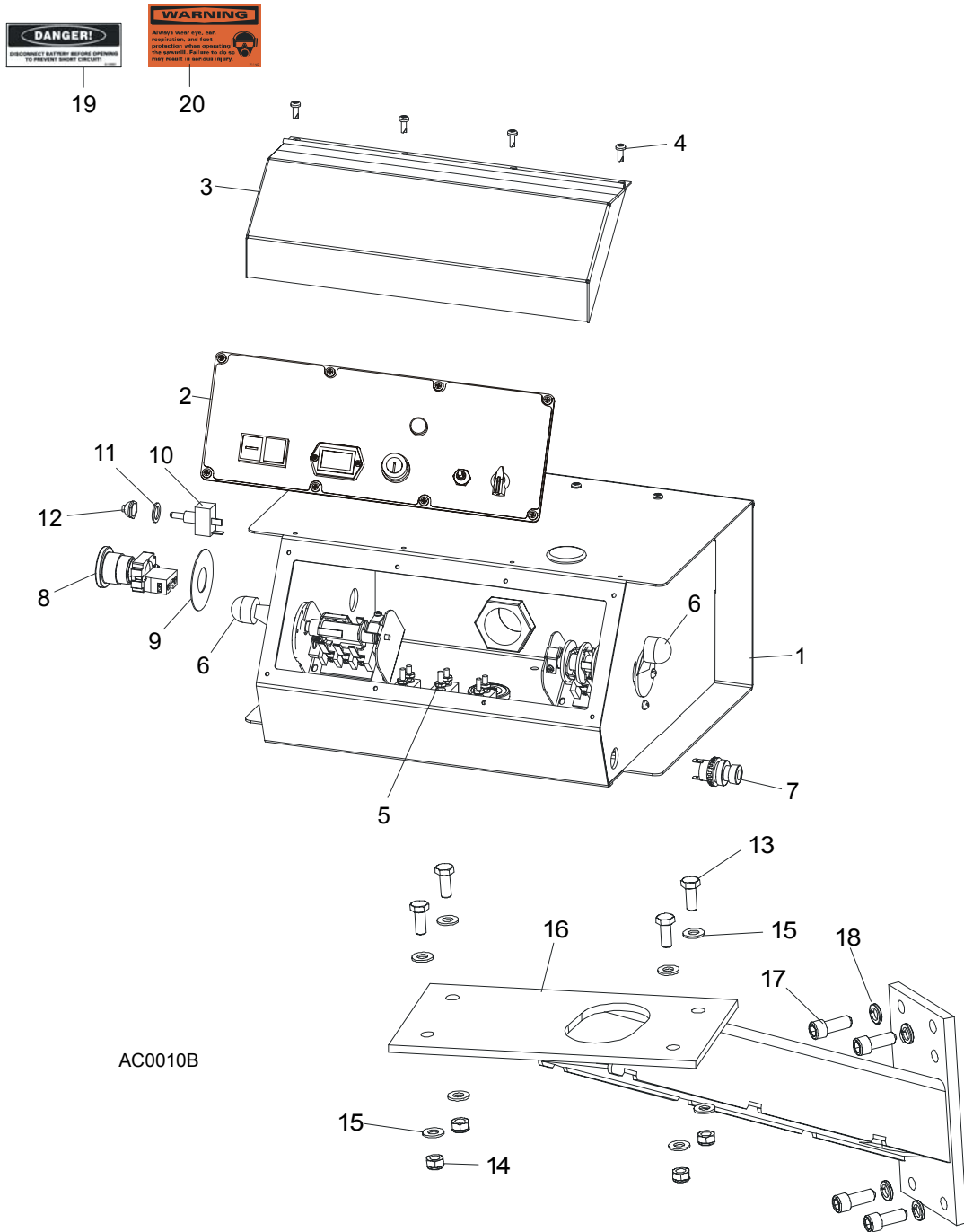
4.7 Sawdust Chute



| REF | DESCRIPTION (◆ Indicates Parts Available In Assemblies Only) | PART # | QTY. | |
|-----|--|----------|------|--|
| 1 | CHUTE WELDMENT, SAWDUST | 089352-1 | 1 | |
| 2 | CLAMP, 152 MM | 089358 | 2 | |
| 3 | TUBE, SAWDUST CHUTE | 090153 | 1 | |
| 4 | TUBE, CHUTE END | 090126-1 | 1 | |
| 5 | BOLT, M8X20-8.8-B HEX HEAD FULL THREAD ZINC | F81002-4 | 2 | |
| 6 | WASHER 8.4 ZINC FLAT | F81054-1 | 4 | |
| 7 | NUT, M8-8-B HEX NYLON ZINC LOCK | F81032-2 | 2 | |

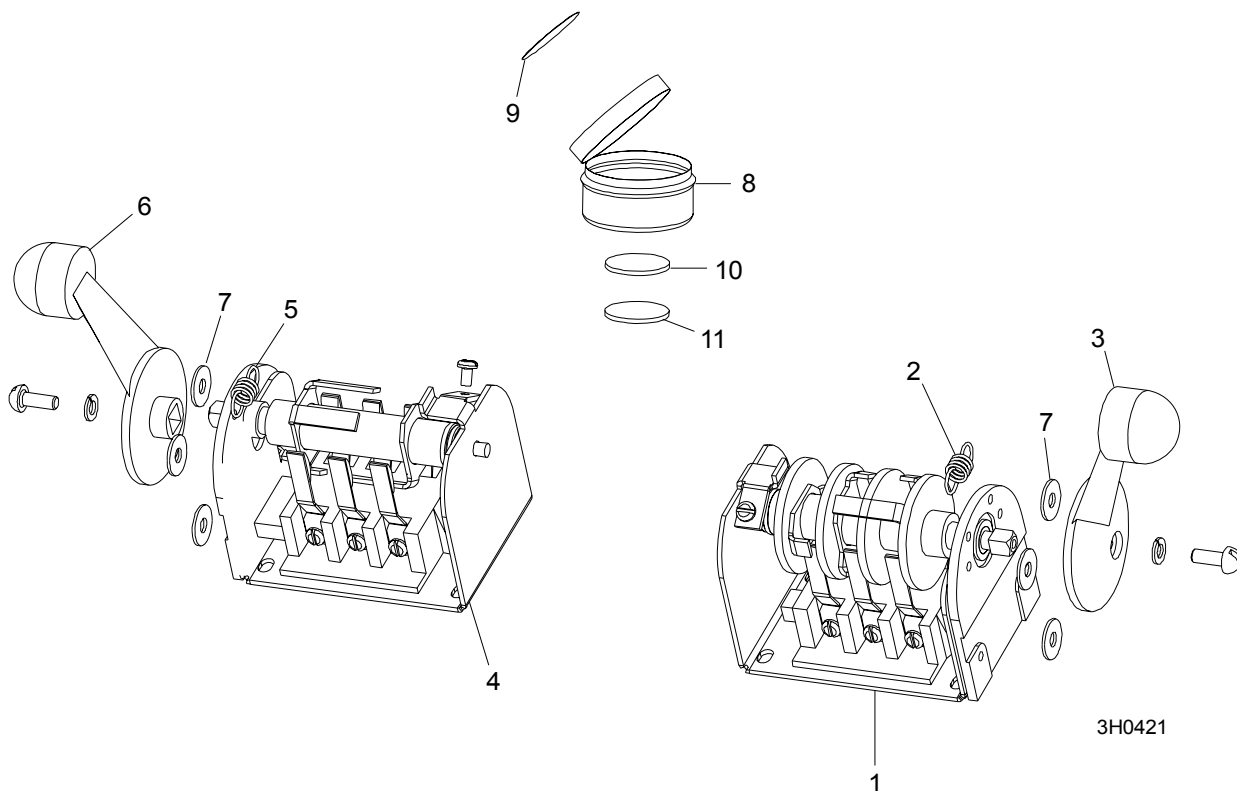
SECTION 5 CONTROL BOXES

5.1 Control Assembly, LT70 AH



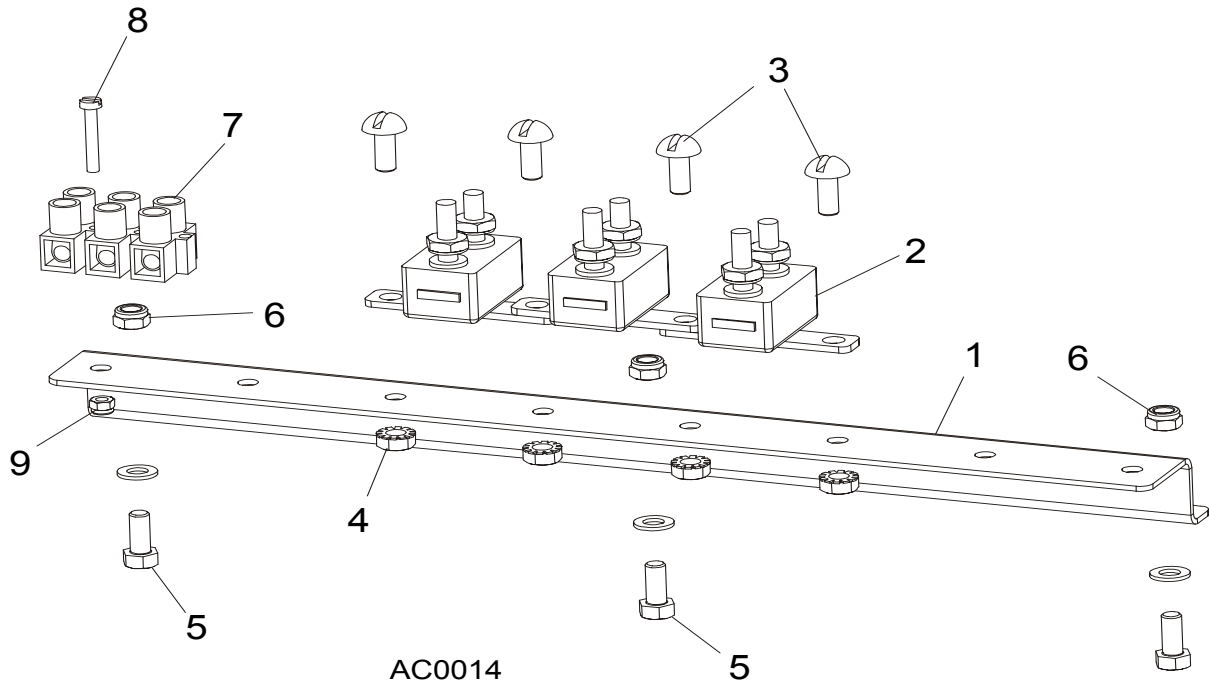
| REF | DESCRIPTION (◆ Indicates Parts Available In Assemblies Only) | PART # | QTY. | |
|-----------|--|-----------|------|---|
| | CONTROL BOX ASSEMBLY, AC SUPER (EA20, EA25) | 093022 | 1 | |
| 1 | HOUSING, AC SUPER CONTROL BOX ASSEMBLY (EA20, EA25) | 086546-1 | 1 | ◆ |
| 2 | Front Control Panel & Wiring Harnesses (Section 5.4) | | | |
| 3 | Cover, Control Box Hinged | 015304 | 1 | |
| 4 | Screw, #10-24 x 1/2" | F05015-17 | 12 | |
| 5 | Circuit Breakers (Section 5.3) | | | |
| 6 | Drum Switches (Section 5.2) | | | |
| 7 | Switch, Horn | E85118 | 1 | |
| 8 | Switch, XB2 BS542 Emergency Stop | 086556 | 1 | |
| 9 | Washer, Emergency Stop Switch | 086561 | 1 | |
| 10 | Switch, Speed Control | 086773 | 1 | |
| 11 | Washer, 1/2" x 3/4" x 5/8" Nylon | P05251-1 | 1 | |
| 12 | Boot, Speed Control Switch | P02575 | 1 | |
| 13 | BOLT, M8 X 20-8.8-B HEX HEAD | F81002-4 | 4 | |
| 14 | NUT, M8-8-B HEX | F81032-2 | 4 | |
| 15 | WASHER, 8.4 FLAT | F81054-1 | 8 | |
| 16 | MOUNT WELDMENT, STANDARD CONTROL BOX | 086732-1 | 1 | |
| 17 | BOLT,, 3/8-16 X 1" SOCKET HEAD | F05007-52 | 4 | |
| 18 | WASHER, 10.2 SPLIT LOCK | F81055-2 | 4 | |
| 19 | DECAL, FRONT OUTRIGGER WARNING | 015400-4 | 1 | |
| 20 | DECAL, EAR/EYE PROTECTION WARNING | S11753-4 | 1 | |

5.2 Drum Switches



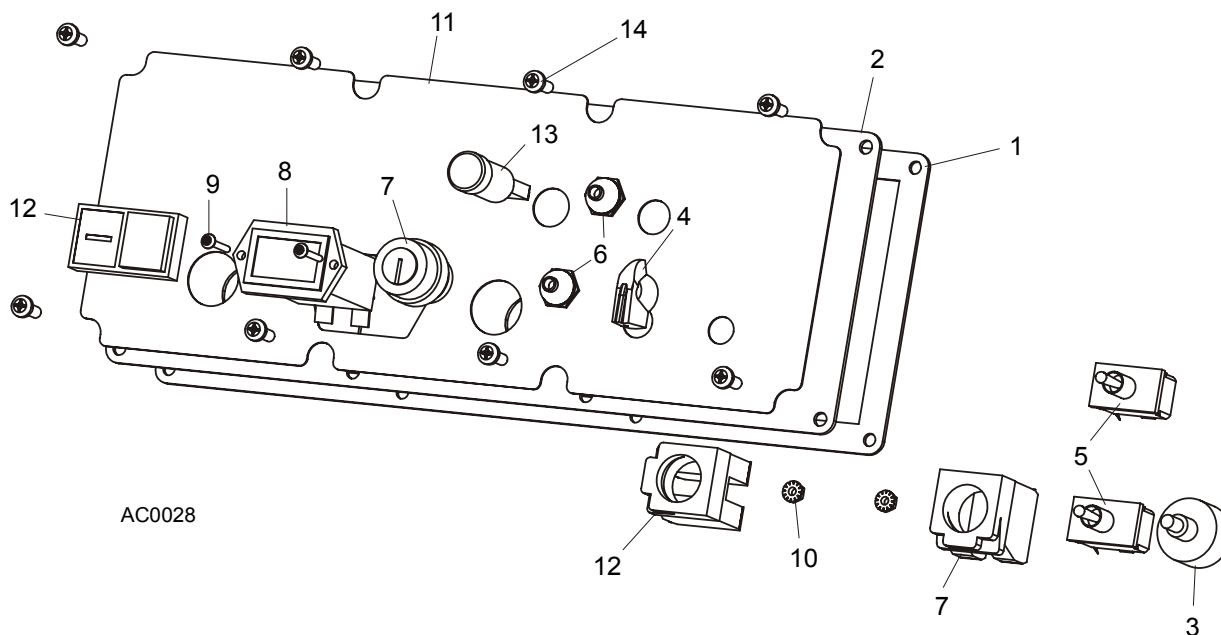
| REF | DESCRIPTION (◆ Indicates Parts Available In Assemblies Only) | PART # | QTY. | |
|-----|--|-----------|--------|---|
| | SWITCH ASSEMBLY, UP/DOWN DRUM | E20440 | 1 | |
| 1 | Switch, S12 Bulk Drum | E20440-B | 1 | ◆ |
| 2 | Spring, Drum Switch | P12570 | 1 | |
| 3 | Handle, Drum Switch Replacement | P12500 | 1 | |
| | SWITCH ASSEMBLY, POWER FEED DRUM | E20438 | 1 | |
| 4 | Switch, S10 Bulk Drum | E20438-B | 1 | ◆ |
| 5 | Spring, Drum Switch | P12570 | 1 | |
| 6 | Handle, Drum Switch Replacement | P12500 | 1 | |
| 7 | WASHER, #8 SAE FLAT | F05011-41 | 6 | |
| | CUP ASSEMBLY, DRUM SWITCH GREASE | A20463 | 1 | |
| 8 | Cup, Plastic Container | P20464 | 1 | ◆ |
| 9 | Decal, Grease Cup Label | P20467 | 1 | |
| 10 | Pad, Velcro Loop | P20466 | 1 | ◆ |
| 11 | Pad, Velcro Hook | P20465 | 1 | ◆ |
| | Grease, High Temp Drum Switch | P20468 | .011ml | ◆ |

5.3 Circuit Breakers



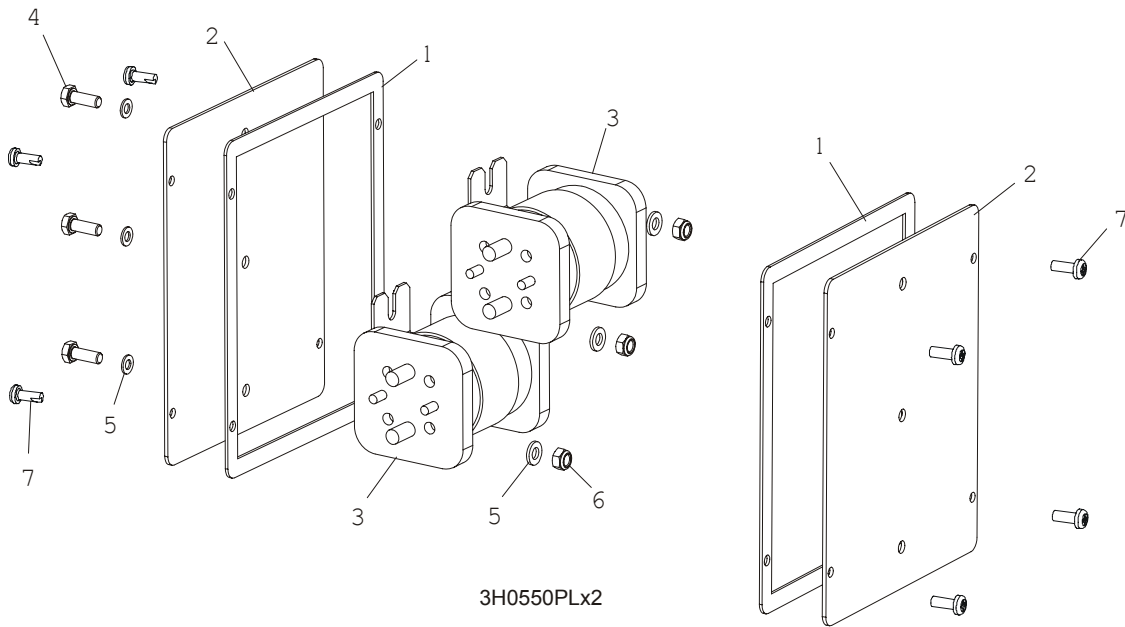
| REF | DESCRIPTION (◆ Indicates Parts Available In Assemblies Only) | PART # | QTY. |
|-----|--|-----------|------|
| | BREAKER ASSEMBLY, SAWMILL CONTROL CIRCUIT | 015621 | 1 |
| 1 | Rail, Circuit Breaker | 015310 | 1 |
| 2 | Breaker, 15 Amp Manual Reset | E20430 | 5 |
| 3 | Screw, #8-32 X 1/2" Slotted Head | F05004-12 | 6 |
| 4 | Nut, #8-32 Hex Self-Locking | F05010-41 | 6 |
| 5 | BREAKER, 70 AMP MANUAL RESET PANEL MOUNT | 015527 | 1 |
| 6 | BREAKER, 50 AMP MANUAL RESET PANEL MOUNT | 021256 | 1 |
| 7 | BOOT, CIRCUIT BREAKER | 021253 | 2 |
| 8 | SCREW, #10-24 X 3/8" PHILLIPS PAN HEAD | F05004-3 | 3 |
| 9 | NUT, #10-24 SELF LOCKING | F05010-14 | 3 |

5.4 Front Panel Assembly & Harnesses



| REF | DESCRIPTION (◆ Indicates Parts Available In Assemblies Only) | PART # | QTY. |
|-----|--|-----------|------|
| | PANEL ASSEMBLY, AC SUPER CONTROL FRONT (EA20, EA25) | 087387 | 1 |
| 1 | Gasket, Front Panel | 088387 | 1 |
| 2 | Panel Weldment, Control | 087316 | 1 |
| 3 | Switch Assembly, Feed Rate | E20519 | 1 |
| 4 | Knob, Feed Rate With Set Screw | P06257 | 1 |
| 5 | Switch, Toggle | 024200 | 2 |
| 6 | Boot, Toggle Switch Rubber | P02575 | 2 |
| 7 | Switch, Key | 087350 | 1 |
| 8 | Meter, Hour | 015401 | 1 |
| 9 | Screw, 6-42 x 3/4" Socket Button Head Cap Stainless Steel | F05004-93 | 2 |
| 10 | Nut, 6-23 Self Locking | F05010-59 | 2 |
| 11 | Decal, Control Pane | 087351 | 1 |
| 12 | Switch, START-STOP | 087349 | 1 |
| 13 | Lamp, Control | 087348 | 1 |
| | HARNESS ASSEMBLY, UPPER WIRING | 093167 | 1 |
| 14 | Screw, #10-24 x 1/2" Pan Head | F05015-17 | 8 |

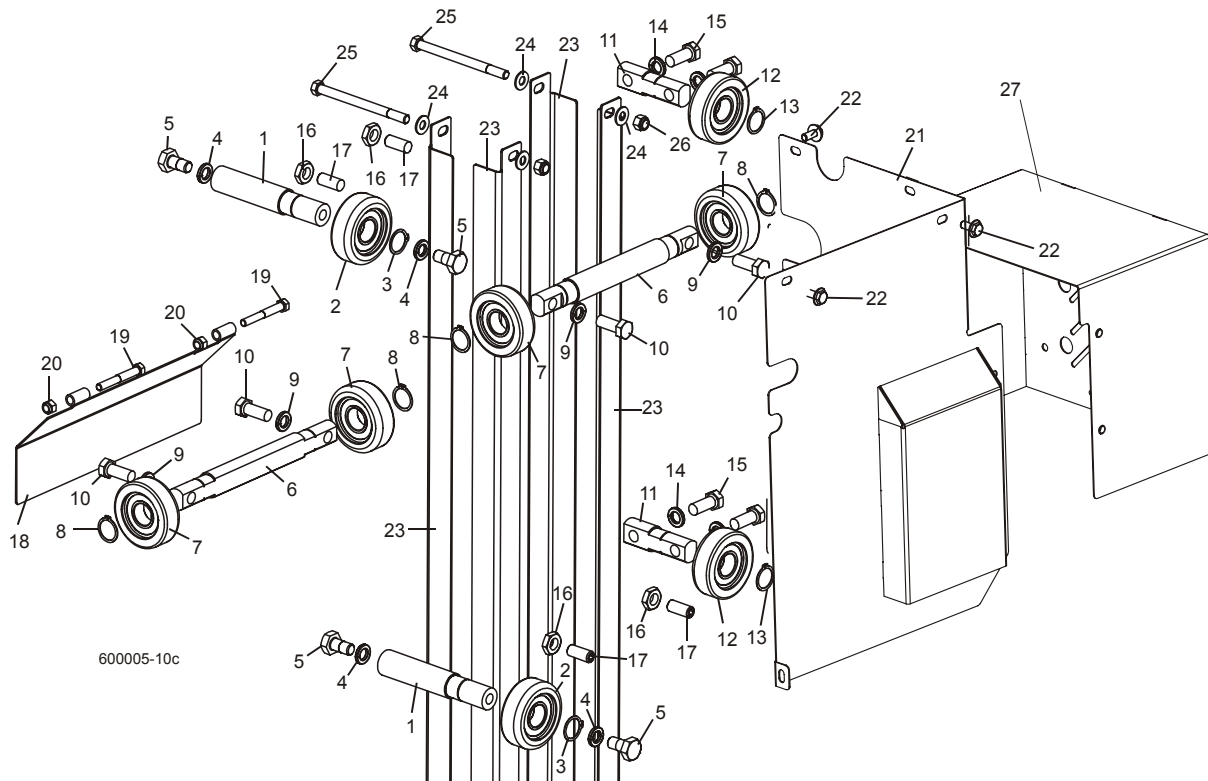
5.5 Solenoids



| REF | DESCRIPTION (◆ Indicates Parts Available In Assemblies Only) | PART # | QTY. | |
|-----|--|-----------|------|--|
| 1 | GASKET, SIDE PANEL | 015274 | 2 | |
| 2 | PANEL WELDMENT, SIDE | 015307 | 2 | |
| 3 | SOLENOID, 200A 12V SPST HYDRAULIC PUMP | 015470 | 2 | |
| 4 | BOLT, M6X16 5.8 HEX HEAD FULL THREAD ZINC | F81001-14 | 3 | |
| 5 | WASHER, 6.4 FLAT ZINC | F81053-1 | 6 | |
| 6 | NUT, M6-8-B HEX NYLON ZINC LOCK | F81031-2 | 3 | |
| | DIODE ASSEMBLY, SOLENOID COIL CHASSIS GND | 087496 | 4 | |
| 7 | BOLT, #10-24 X 1/2 PHILLIPS PAN HEAD TYPE 23 | F05015-17 | 8 | |

SECTION 6 UP/DOWN SYSTEM

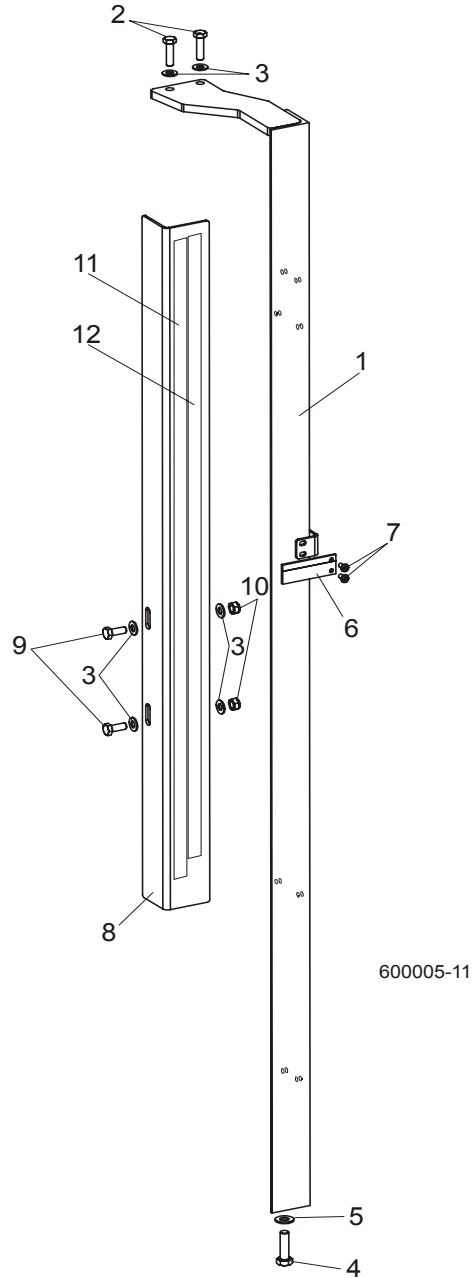
6.1 Up/Down Rollers & Covers



| REF | DESCRIPTION (◆ Indicates Parts Available In Assemblies Only) | PART # | QTY. |
|-----|--|-----------|------|
| | ROLLER ASSEMBLY, INSIDE UP/DOWN | 089456 | 2 |
| 1 | Shaft, Inside Up/Down Roller | 088817-1 | 1 |
| 2 | Bearing, CBK-468 Rolling | 088433 | 1 |
| 3 | Ring, Z30 Spring Retaining | F81090-23 | 1 |
| 4 | Washer, 13 Zinc Flat | F81056-1 | 2 |
| 5 | Bolt, M12x25-8.8 Hex Head Full Thread Zinc | F81004-31 | 2 |
| | ROLLER ASSEMBLY, OUTSIDE UP/DOWN | 089454 | 2 |
| 6 | Shaft, Long Up/Down Roller | 088815-1 | 1 |
| 7 | Bearing, CBK-468 Rolling | 088433 | 2 |
| 8 | Ring, Z30 Spring Retaining | F81090-23 | 2 |
| 9 | Washer, 10.5 Zinc Flat | F81055-1 | 3 |
| 10 | Bolt, M10x35-8.8 Hex Head Full Thread Zinc | F81003-17 | 3 |
| | ROLLER ASSEMBLY, SHORT UP/DOWN | 089455 | 2 |
| 11 | Shaft, Short Up/Down Roller | 088816-1 | 1 |
| 12 | Bearing, CBK-468 Rolling | 088433 | 1 |
| 13 | Ring, Z30 Spring Retaining | F81090-23 | 1 |

| | | | | |
|----|--|-----------|----|--|
| 14 | Washer, 10.5 Zinc Flat | F81055-1 | 2 | |
| 15 | Bolt, M10x35-8.8 Hex Head Full Thread Zinc | F81003-17 | 2 | |
| 16 | NUT, M10-04-W HEX ZINC THIN | F81033-6 | 4 | |
| 17 | SCREW, GN 913.3-M10-40-MS SET | F81003-65 | 4 | |
| 18 | COVER WELDMENT, UP/DOWN ROLLER | 089483-1 | 1 | |
| 19 | BOLT, M8X16-8.8-B HEX HEAD FULL THREAD ZINC | F81002-20 | 4 | |
| 20 | WASHER, 8.4 ZINC FLAT | F81054-1 | 9 | |
| 21 | GUARD WELDMENT, RA-08 UP/DOWN GEAR BOX SIDE PTD | 091319-1 | 1 | |
| 22 | BOLT, M8X12-8.8 HEX HEAD FULL THREAD ZINC | F81002-6 | 5 | |
| 23 | ANGLE, MAST TUBE STAINLESS | 088492 | 4 | |
| 24 | WASHER, 10.5 ZINC FLAT | F81055-1 | 12 | |
| 25 | BOLT, M10X125-8.8 HEX HEAD ZINC | F81003-18 | 4 | |
| 26 | NUT, M10-8-B HEX NYLON ZINC LOCK | F81033-1 | 4 | |
| 27 | GUARD, UP/DOWN MOTOR PAINTED | 090501-1 | 1 | |

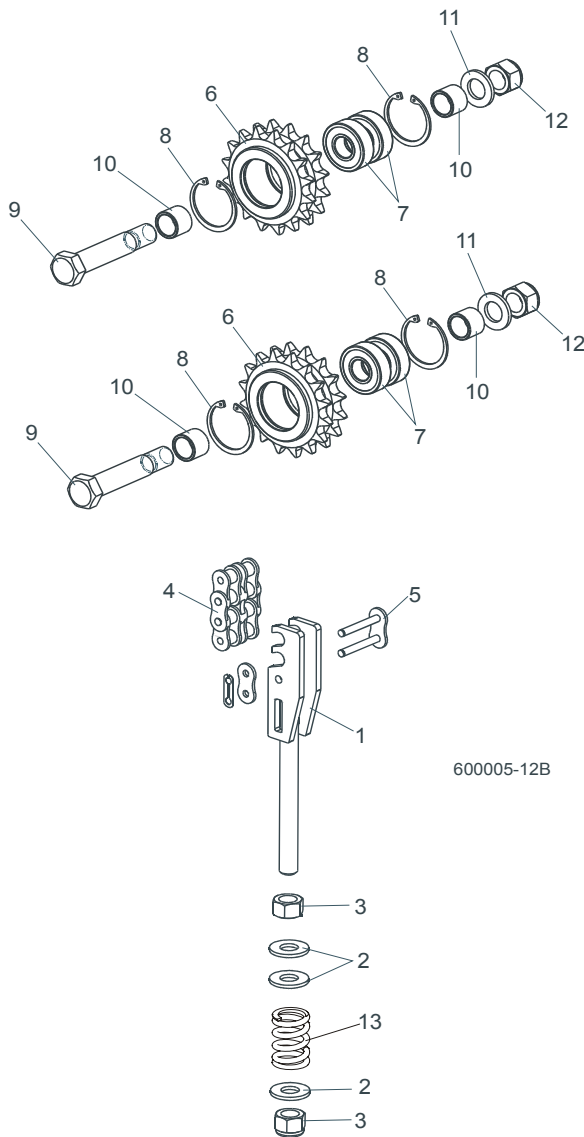
6.2 Blade Height Scale



| REF | DESCRIPTION (◆ Indicates Parts Available In Assemblies Only) | PART # | QTY. |
|-----|--|-----------|------|
| 1 | MOUNT WELDMENT, SCALE PAINTED | 088554-1 | 1 |
| 2 | BOLT, M8 x 30-8.8-B HEX HEAD FULL THREAD ZINC | F81002-7 | 2 |
| 3 | WASHER, 8.4 ZINC FLAT | F81054-1 | 6 |
| 4 | BOLT, M10 x 35-8.8 HEX HEAD FULL THREAD ZINC | F81003-17 | 1 |
| 5 | WASHER, 10.5 ZINC FLAT | F81055-1 | 1 |

| | | | | |
|----|---|----------|---|--|
| 6 | INDICATOR, BLADE HEIGHT SCALE | 094821 | 1 | |
| 7 | SCREW, #10-24 X 3/8 PHILLIPS PAN HEAD ZINC | F05004-3 | 2 | |
| 8 | ANGLE, SCALE MOUNT | 088785-1 | 1 | |
| 9 | BOLT, M8 X 20-8.8-B HEX HEAD FULL THREAD ZINC | F81002-4 | 2 | |
| 10 | NUT, M8-8-B HEX NYLON ZINC LOCK | F81032-2 | 2 | |
| 11 | DECAL, METRIC SCALE | S11711 | 1 | |
| 12 | DECAL, 16-40 MM METRIC SCALE | P12040-1 | 1 | |

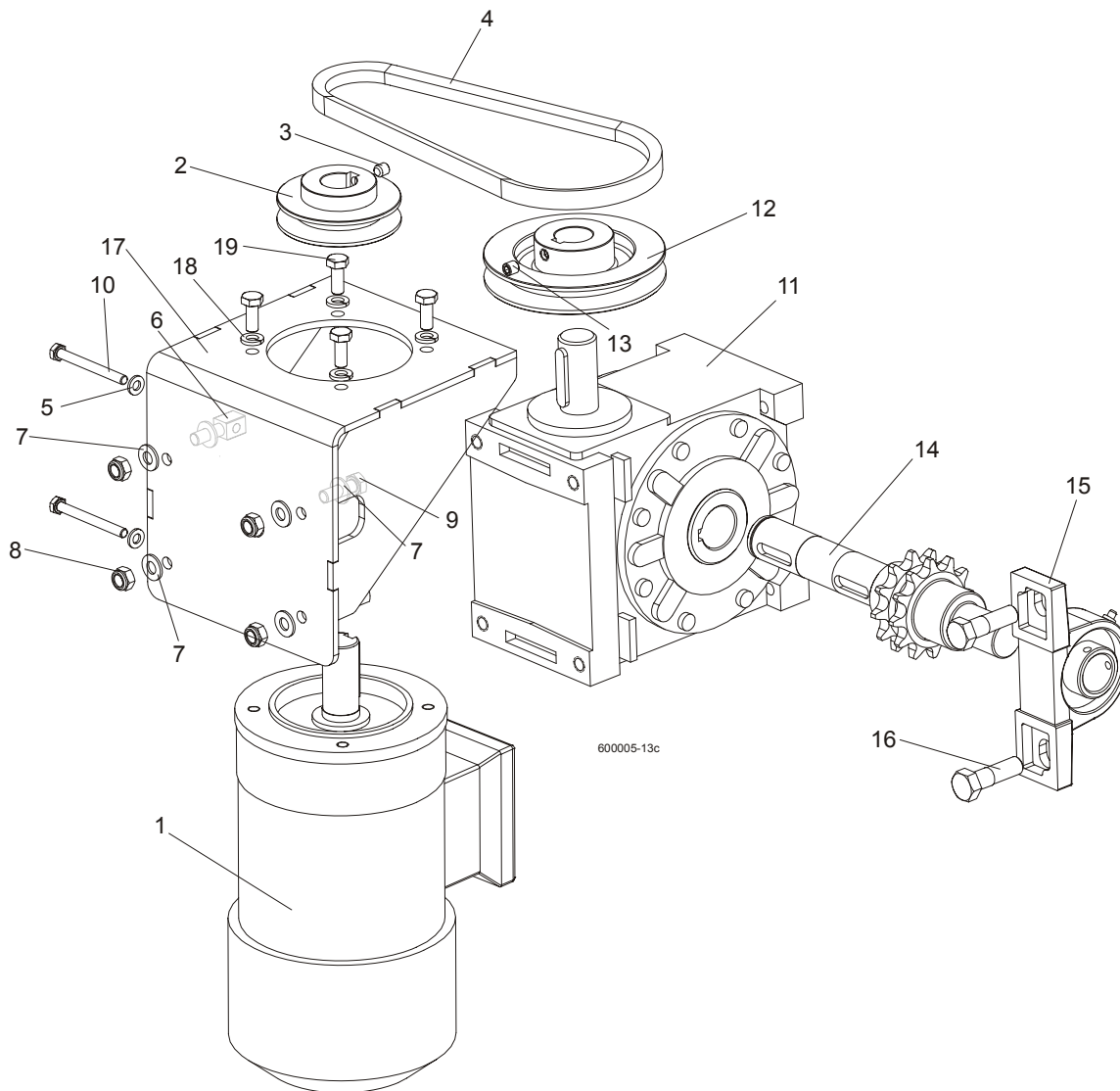
6.3 Up/Down Chain & Sprockets



| REF | DESCRIPTION (◆ Indicates Parts Available In Assemblies Only) | PART # | QTY. |
|-----|--|----------|------|
| 1 | TENSIONER WELDMENT, UP/DOWN CHAIN ZINC | 088551-1 | 1 |
| 2 | WASHER, 13 ZINC FLAT | F81056-1 | 3 |
| 3 | NUT, M12-8 HEX NYLON ZINC LOCK | F81034-2 | 2 |
| 4 | CHAIN, 10B-2 113-LINK UP/DOWN | 088672 | 1 |
| 5 | LINK, 10B-2Pz MASTER | 088673 | 1 |
| | SPROCKET ASSEMBLY, UP/DOWN IDLER | 088470 | 2 |
| 6 | Sprocket, Zinc | 088471-1 | 1 |
| 7 | Bearing, 6203-2RS FLT Rolling | 086114 | 2 |

| | | | | |
|-----------|--|-----------|---|--|
| 8 | Ring, W40 Spring Retaining | F81090-3 | 2 | |
| 9 | Bolt, M16D1F6 x 90-8.8 Hex Fit Short Thread Zinc | F81006-15 | 1 | |
| 10 | Spacer, Idler Zinc | 088792-1 | 2 | |
| 11 | Washer, 17 Zinc Flat | F81058-1 | 1 | |
| 12 | Nut, M16-8 Hex Nylon Zinc Lock | F81036-2 | 1 | |
| 13 | Spring, 14x30x3,2 | 090797 | 1 | |

6.4 Up/Down Drive Assembly

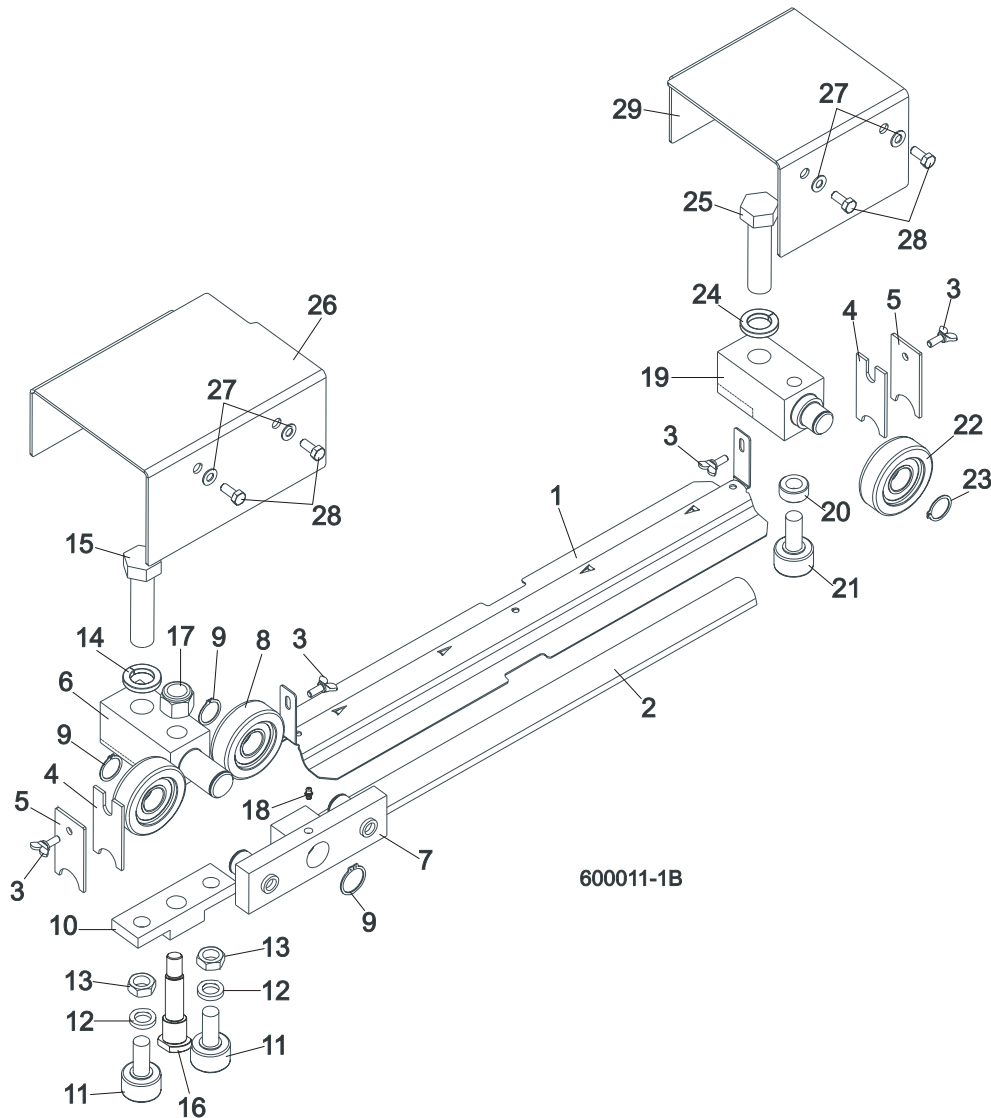


| REF | DESCRIPTION (◆ Indicates Parts Available In Assemblies Only) | PART # | QTY. |
|-----|--|----------|------|
| | MOTOR W/MOUNT BRACKET, AC UP/DOWN | 090493 | 1 |
| 1 | AC Motor, 2 gear STKg90 6/4L2 IMB14/162 | 086530 | 1 |
| 2 | Pulley, AC Motor Painted | 090497-1 | 1 |
| 3 | Screw, M8x8-33H Hex Socket Set Flat Point Zinc | F81014-1 | 1 |
| 4 | V-Belt, HA-670 | 091328 | 1 |
| 5 | Washer, 6.4 Zinc Flat | F81053-1 | 2 |
| 6 | Bolt, Special - Zinc Plated | 088962-1 | 2 |
| 7 | Washer, 8.4 Zinc Flat | F81054-1 | 8 |
| 8 | Nut, M8-8-B Hex Nylon Zinc Lock | F81032-2 | 4 |
| 9 | Bolt, M8X25-8.8-B Hex Head Full Thread Zinc | F81002-5 | 2 |
| 10 | Bolt, M6x60-8.8 Hex Head Full Thread Zinc | F81001-9 | 2 |

| | | | | |
|-----------|--|----------|---|--|
| | GEAR BOX ASSEMBLY, UP/DOWN DRIVE | 091310 | 1 | |
| 11 | Gear Box, RA-08/64/WBS/D1/S,N/V5 | 091306 | 1 | |
| 12 | Pulley, Up/Down Gear Painted | 091308-1 | 1 | |
| 13 | Screw, M8x8-33H Hex Socket Set Flat Point Zinc | F81014-1 | 1 | |
| 14 | Output Shaft W/Sprocket, Up/Down Drive | 091311 | 1 | |
| 15 | Bearing Assembly, UCP205 CX | 088468 | 1 | |
| 16 | Bolt, M12 x 40-8.8 Hex Head Zinc | F81004-1 | 1 | |
| 17 | BRACKET, AC UP/DOWN MOTOR MOUNT PTD | 090494-1 | 1 | |
| 18 | WASHER 8.2 SPLIT LOCK ZINC | F81054-4 | 4 | |
| 19 | BOLT, M8 X 20-8.8-B HEX HEAD FULL THREAD ZINC | F81002-4 | 4 | |

SECTION 7 FEED SYSTEM & TRACK ROLLERS

7.1 Upper Track Rollers And Wipers



| REF | DESCRIPTION (◆ Indicates Parts Available In Assemblies Only) | PART # | QTY. |
|-----|--|-----------|------|
| 1 | COVER, MIDDLE TRACK | 092868-1 | 1 |
| 2 | STRIP, FELT | S09915 | 1 |
| 3 | SCREW, M6X16 DIN 316 WING | F81001-16 | 4 |
| 4 | WIPER, TOP RAIL | M04113 | 2 |
| 5 | PLATE, TRACK WIPER | 088559-1 | 2 |
| | ROLLER ASSEMBLY, UPPER TANDEM TRACK | 088530 | 1 |
| 6 | Block, Tandem Roller Mount | 088532 | 1 |

Feed System & Track Rollers

Upper Track Rollers And Wipers

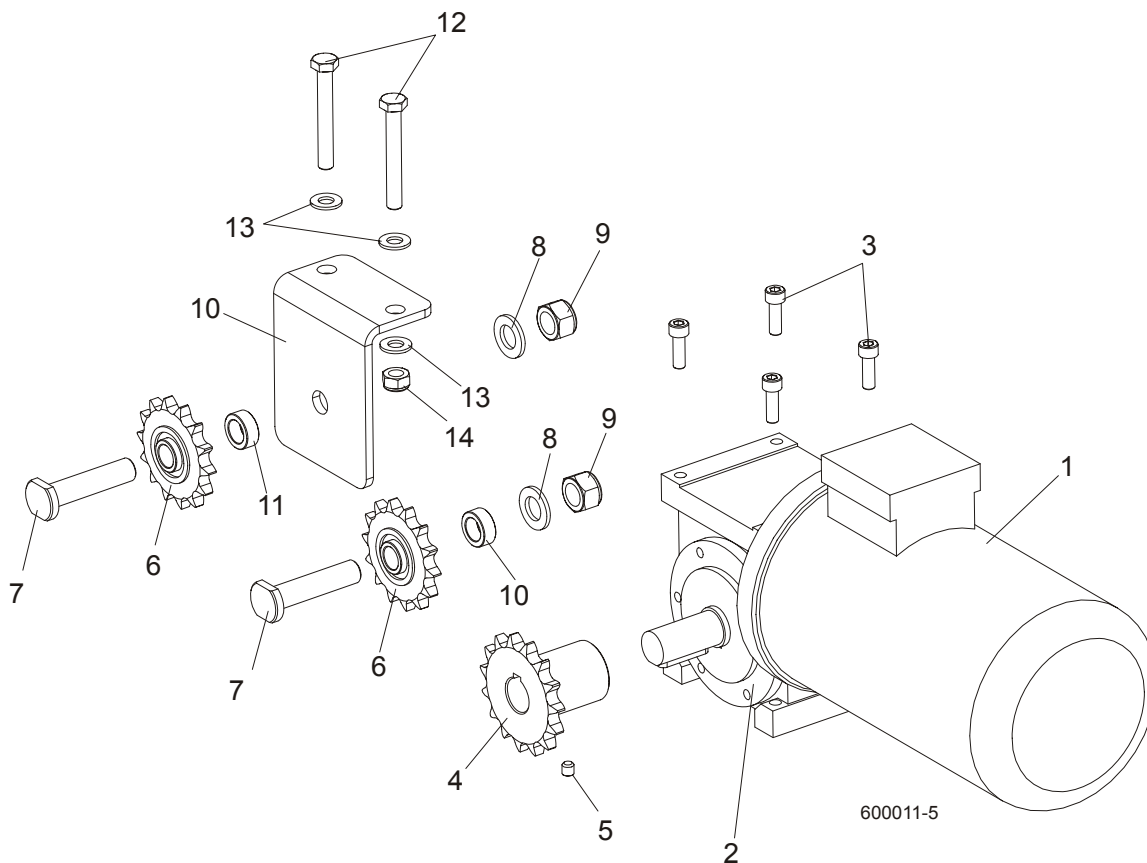
7

| | | | | |
|----|--|-----------|---|--|
| 7 | Block Assembly, Tandem Roller | 088535 | 1 | |
| 8 | Bearing, CBK-468 Rolling | 088433 | 2 | |
| 9 | Ring, Z30 Spring Retaining | F81090-23 | 2 | |
| 10 | Block, Cam Follower Mount | 088520 | 1 | |
| 11 | Bearing, Cam Follower (McGill) | 012797 | 2 | |
| 12 | Washer, 16.3 Split Zinc Lock | F81058-2 | 2 | |
| 13 | Nut, 5/8"-18 Zinc | F05010-11 | 2 | |
| 14 | Washer, Z24.5 Split Zinc Lock | F81061-4 | 1 | |
| 15 | Bolt, M24 x 2 x 90-8.8 Hex Head Full Thread Zinc | F81009-2 | 1 | |
| 16 | Pin, Cam Follower Mount | 088531 | 1 | |
| 17 | Nut, M16-8 Hex Nylon Zinc Lock | F81036-2 | 1 | |
| 18 | Fitting, M6 Straight Grease | 086280 | 1 | |
| | ROLLER ASSEMBLY, REAR UPPER TRACK | 088529 | 1 | |
| 19 | Block, Rear Upper Roller Mount | 088528 | 1 | |
| 20 | Spacer, Cam Follower | 088536 | 1 | |
| 21 | Bearing, Cam Follower (McGill) | 012797 | 1 | |
| 22 | Roller, CBK-468 | 088433 | 1 | |
| 23 | Ring, Z30 Spring Retaining | F81090-23 | 1 | |
| 24 | Washer, Z24.5 Split Zinc Lock | F81061-4 | 1 | |
| 25 | Bolt, M24x2x90-8.8 Hex Head Full Thread Zinc | F81009-2 | 1 | |
| 26 | COVER, TANDEM ROLLER | 088526-1 | 1 | |
| 27 | WASHER, 6.4 ZINC FLAT | F81053-1 | 4 | |
| 28 | BOLT, M6X16 8.8 HEX HEAD FULL THREAD ZINC | F81001-15 | 4 | |
| 29 | COVER, REAR UPPER ROLLER | 088527-1 | 1 | |

7 Feed System & Track Rollers

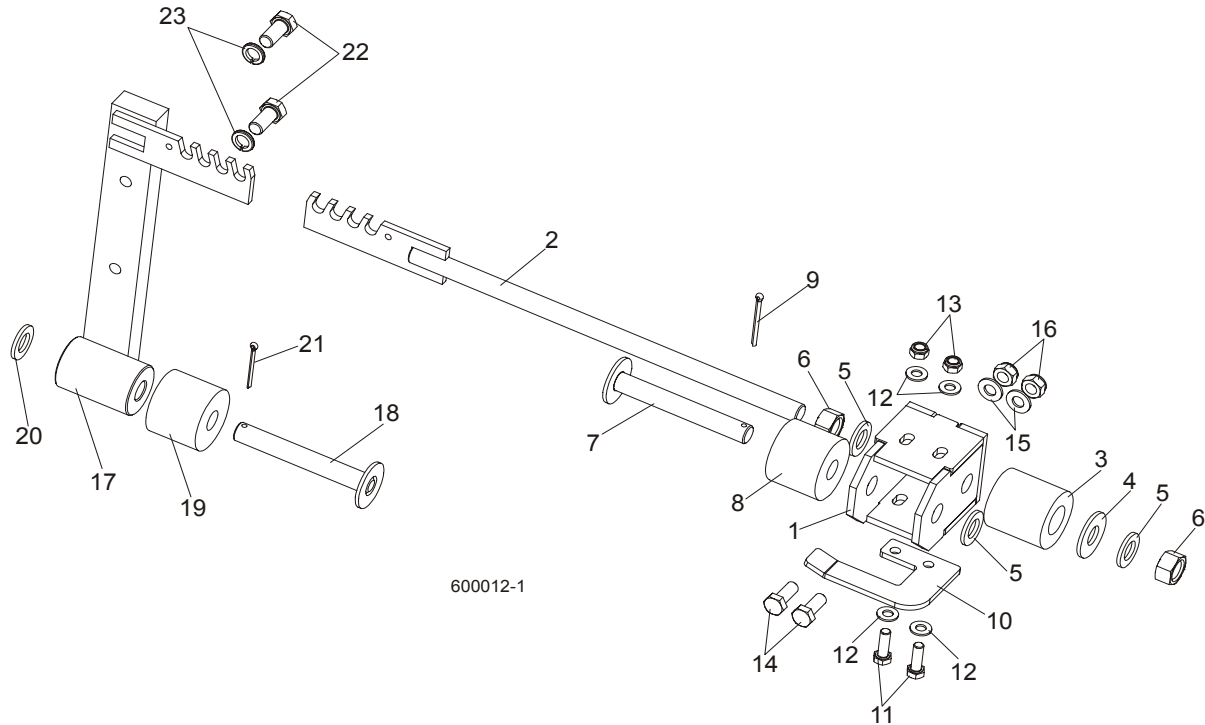
Power Feed Assembly

7.2 Power Feed Assembly



| REF | DESCRIPTION (◆ Indicates Parts Available In Assemblies Only) | PART # | QTY. |
|-----|--|-----------|------|
| 1 | Electric motor 1,1kW AC | 090104 | 1 |
| 2 | RA-0,5/7,5/D3/S/B8 I.3 koln.160/19 B14/1 | 088565 | 1 |
| 3 | SCREW, M8x25 -8.8 HEX SOCKET HEAD CAP | F81002-21 | 4 |
| 4 | SPROCKET, 10B Z15 ZINC | 088541-1 | 1 |
| 5 | SCREW, M8x8-33H HEX SOCKET SET FLAT POINT ZINC | F81014-1 | 2 |
| 6 | SPROCKET, KSR 16.L0.10.10.14.08 W/BEARING | 088867 | 2 |
| 7 | PIN, ZINC SPROCKET MOUNT | 088994-1 | 2 |
| 8 | WASHER, 17 ZINC FLAT | F81058-1 | 2 |
| 9 | NUT, M16-8 HEX NYLON ZINC LOCK | F81036-2 | 2 |
| 10 | BRACKET, POWER FEED SPROCKET MOUNT | 088507-1 | 1 |
| 11 | SPACER, POWER FEED SPROCKET | 088550-1 | 1 |
| 12 | BOLT, M10x75-8.8 HEX HEAD ZINC | F81003-15 | 2 |
| 13 | WASHER, 10.5 ZINC FLAT | F81055-1 | 4 |
| 14 | NUT, M10-8-B HEX NYLON ZINC LOCK | F81033-1 | 2 |

7.3 Feed Chain/Stop



600012-1

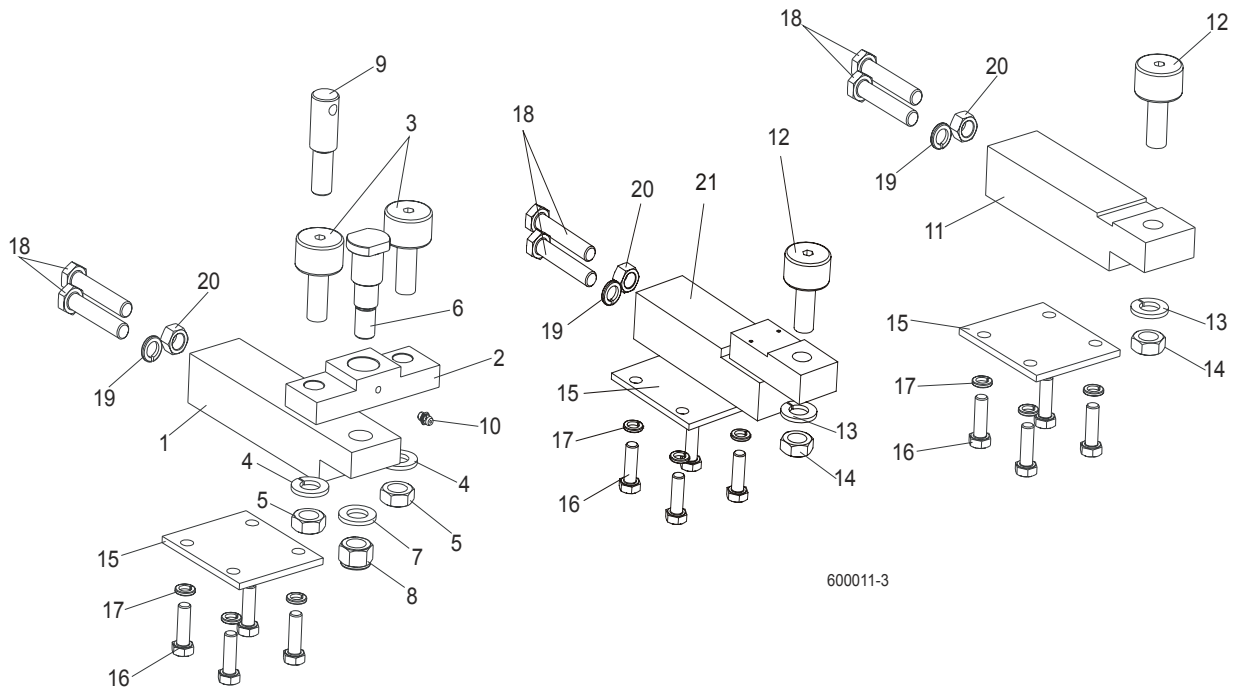
| REF | DESCRIPTION (◆ Indicates Parts Available In Assemblies Only) | PART # | QTY. |
|-----|--|-----------|------|
| 1 | MOUNT WELDMENT, FRONT CARRIAGE STOP | 089365-1 | 1 |
| 2 | TENSIONER WELDMENT, POWER FEED CHAIN | 089364-1 | 1 |
| 3 | SPRING, LT15 BLADE TENSIONER | 014828 | 1 |
| 4 | WASHER, ZINC SPECIAL | 089360-1 | 1 |
| 5 | WASHER, 17 ZINC FLAT | F81058-1 | 3 |
| 6 | NUT, M16-5.8 ZINC HEX | F81036-1 | 2 |
| 7 | PIN, RUBBER CARRIAGE STOP | 089361-1 | 1 |
| 8 | BUSHING, RUBBER STOP | P12165 | 1 |
| 9 | PIN, S-Zn 4x25 COTTER | F81043-2 | 1 |
| 10 | BRACKET, LIMIT SWITCH | 086473-1 | 1 |
| 11 | BOLT, M8X25-8.8-B HEX HEAD FULL THREAD ZINC | F81002-5 | 2 |
| 12 | WASHER, 8.4 ZINC FLAT | F81054-1 | 4 |
| 13 | NUT, M8-8-B HEX NYLON ZINC LOCK | F81032-2 | 2 |
| 14 | BOLT, M10X25 8.8 HEX HEAD FULL THREAD | F81003-31 | 2 |
| 15 | WASHER, 10.5 ZINC FLAT | F81055-1 | 2 |
| 16 | NUT, M10-8-B HEX NYLON ZINC LOCK | F81033-1 | 2 |
| | STOP ASSEMBLY, REAR POWER FEED | 089362 | 1 |
| 17 | Stop Weldment, Rear Power Feed | 088346-1 | 1 |
| 18 | Pin, Rubber Carriage Stop | 089361-1 | 1 |
| 19 | Bushing, Rubber Stop | P12165 | 1 |

7 Feed System & Track Rollers

Feed Chain/Stop

| | | | | |
|----|---|-----------|---|--|
| 20 | Washer, 17 Zinc Flat | F81058-1 | 1 | |
| 21 | Pin, S-Zn 4x25 Cotter | F81043-2 | 1 | |
| 22 | BOLT, M12X25-8.8 HEX HEAD FULL THREAD ZINC | F81004-31 | 2 | |
| 23 | WASHER, 13 ZINC FLAT | F81056-1 | 2 | |
| | CHAIN, 10B-1 POWER FEED | 088670 | 1 | |
| | LINK, 10B-1PZ MASTER | 088671 | 2 | |

7.4 Lower Track Rollers



| REF | DESCRIPTION (◆ Indicates Parts Available In Assemblies Only) | PART # | QTY. |
|-----|--|-----------|------|
| | BLOCK ASSEMBLY, VERTICAL MAST ALIGNMENT DOUBLE | 088523 | 1 |
| 1 | Block, Vertical Mast Alignment Double | 088517 | 1 |
| 2 | Block, Cam Follower Mount | 088520 | 1 |
| 3 | Bearing, Cam Follower (McGill) | 012797 | 2 |
| 4 | Washer, 16.3 Split Zinc Lock | F81058-2 | 2 |
| 5 | Nut, 5/8"-18 Zinc | F05010-11 | 2 |
| 6 | Pin, Cam Follower Mount | 088521 | 1 |
| 7 | Washer, 17 Zinc Flat | F81058-1 | 1 |
| 8 | Nut, M16-8 Hex Nylon Zinc Lock | F81036-2 | 1 |
| 9 | Pin, Safety Lock | 088519 | 1 |
| 10 | Fitting, M6 Straight Grease | 086280 | 1 |
| | BLOCK ASSEMBLY, VERTICAL MAST ALIGNMENT SINGLE | 088524 | 1 |
| 11 | Block, Vertical Mast Alignment Single | 088518 | 1 |
| 12 | Bearing, Cam Follower (McGill) | 012797 | 1 |
| 13 | Washer, 16.3 Split Zinc Lock | F81058-2 | 1 |
| 14 | Nut, 5/8"-18 Zinc | F05010-11 | 1 |
| 15 | PLATE, LOWER TRACK ROLLER RETAINER | 088516 | 3 |
| 16 | BOLT, M10X30-5.8 HEX HEAD FULL THREAD ZINC | F81003-2 | 12 |
| 17 | WASHER, 10.2 SPLIT ZINC LOCK | F81055-2 | 12 |
| 18 | BOLT, M12X1.25X65-8.8 HEX HEAD FULL THREAD ZINC | F81004-40 | 6 |

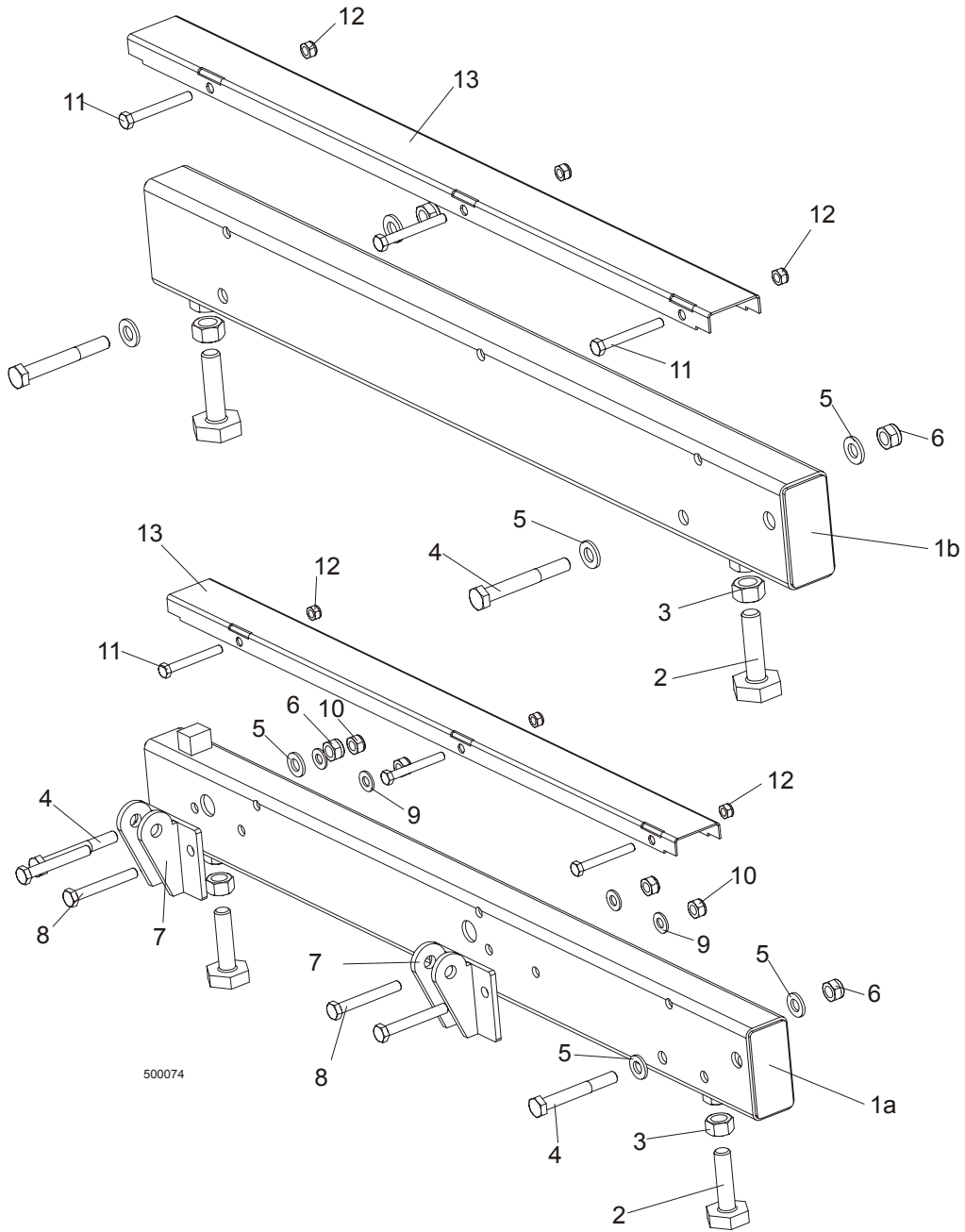
7 Feed System & Track Rollers

Lower Track Rollers

| | | | | |
|-----------|---|----------|---|--|
| 19 | WASHER, Z12.2 SPLIT ZINC LOCK | F81056-2 | 3 | |
| 20 | NUT, M12X1.25-8 ZINC HEX | F81034-8 | 3 | |
| 21 | BLOCK WELDMENT, LOWER TRACK ROLLER MOUNT | 091425 | 1 | |

SECTION 8 BED FRAME ASSEMBLY

8.1 Bed Rail Assembly, Front and Rear



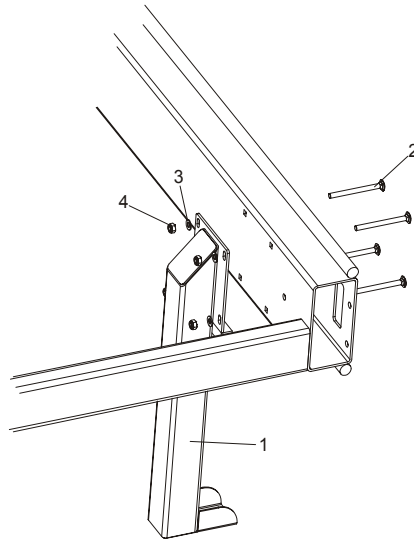
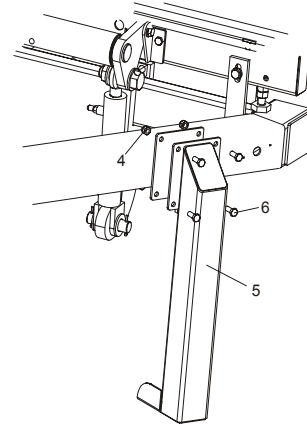
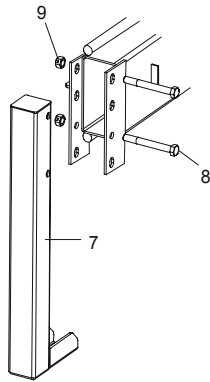
| REF | DESCRIPTION (◆ Indicates Parts Available In Assemblies Only) | PART # | QTY. |
|-----|--|--------|------|
| | BED RAIL ASSEMBLY, LONG | 089385 | 6 |

8

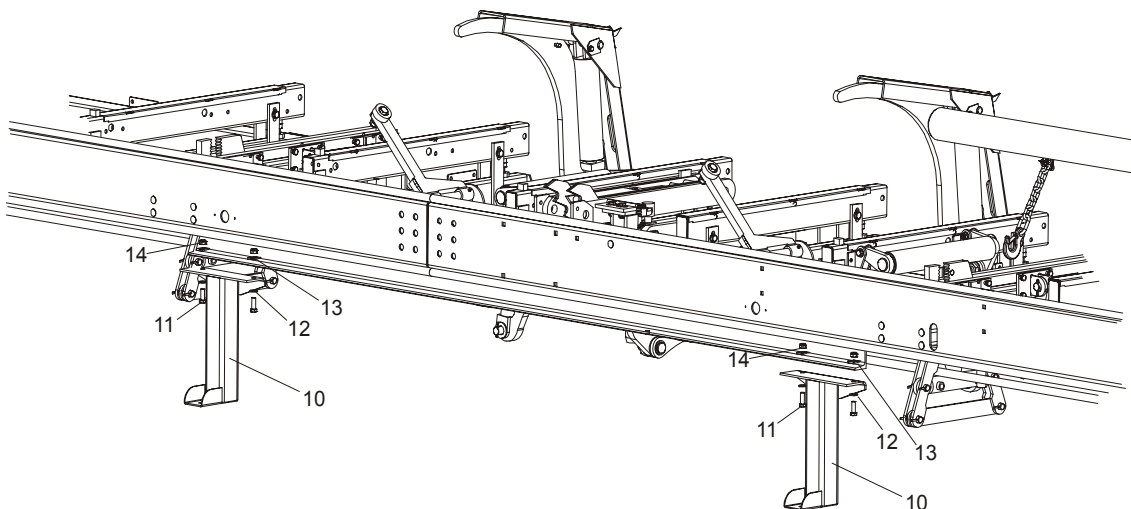
BED FRAME ASSEMBLY*Bed Rail Assembly, Front and Rear*

| | | | | |
|----|---|-----------|---|---|
| 1a | Bed Rail Tube, Long | 087433 | 1 | ◆ |
| 2 | Bolt, M16 Bed Rail Adjustment | 086809 | 2 | |
| 3 | Nut, M16-5-B Hex | F81036-5 | 2 | |
| | BED RAIL ASSEMBLY, SHORT | 089386 | 2 | |
| 1b | Bed Rail Tube, Short | 087878 | 1 | ◆ |
| 2 | Bolt, M16 Bed Rail Adjustment | 086809 | 2 | |
| 3 | Nut, M16-5-B Hex | F81036-5 | 2 | |
| 4 | BOLT, M12x90-8.8 ZINC HEX HEAD | F81004-2 | 2 | |
| 5 | WASHER, 13 FLAT ZINC | F81056-1 | 4 | |
| 6 | NUT, M12-8 HEX NYLON ZINC LOCK | F81034-2 | 2 | |
| 7 | BRACKET, TOE BOARD ROLLER MOUNT | 087903-1 | 2 | |
| 8 | BOLT, M10x75-8.8 ZINC HEX HEAD | F81003-15 | 4 | |
| 9 | WASHER, 10.5 FLAT ZINC | F81055-1 | 4 | |
| 10 | NUT, M10-8-B HEX NYLON ZINC LOCK | F81033-1 | 4 | |
| 11 | BOLT, M8 x 65-5.8 ZINC HEX HEAD | F81002-3 | 3 | |
| 12 | NUT, M8-8-B HEX NYLON ZINC LOCK | F81032-2 | 3 | |
| 13 | COVER, STAINLESS STEEL BED RAIL | S09944 | 1 | |

8.2 Leg, Stationary



500082

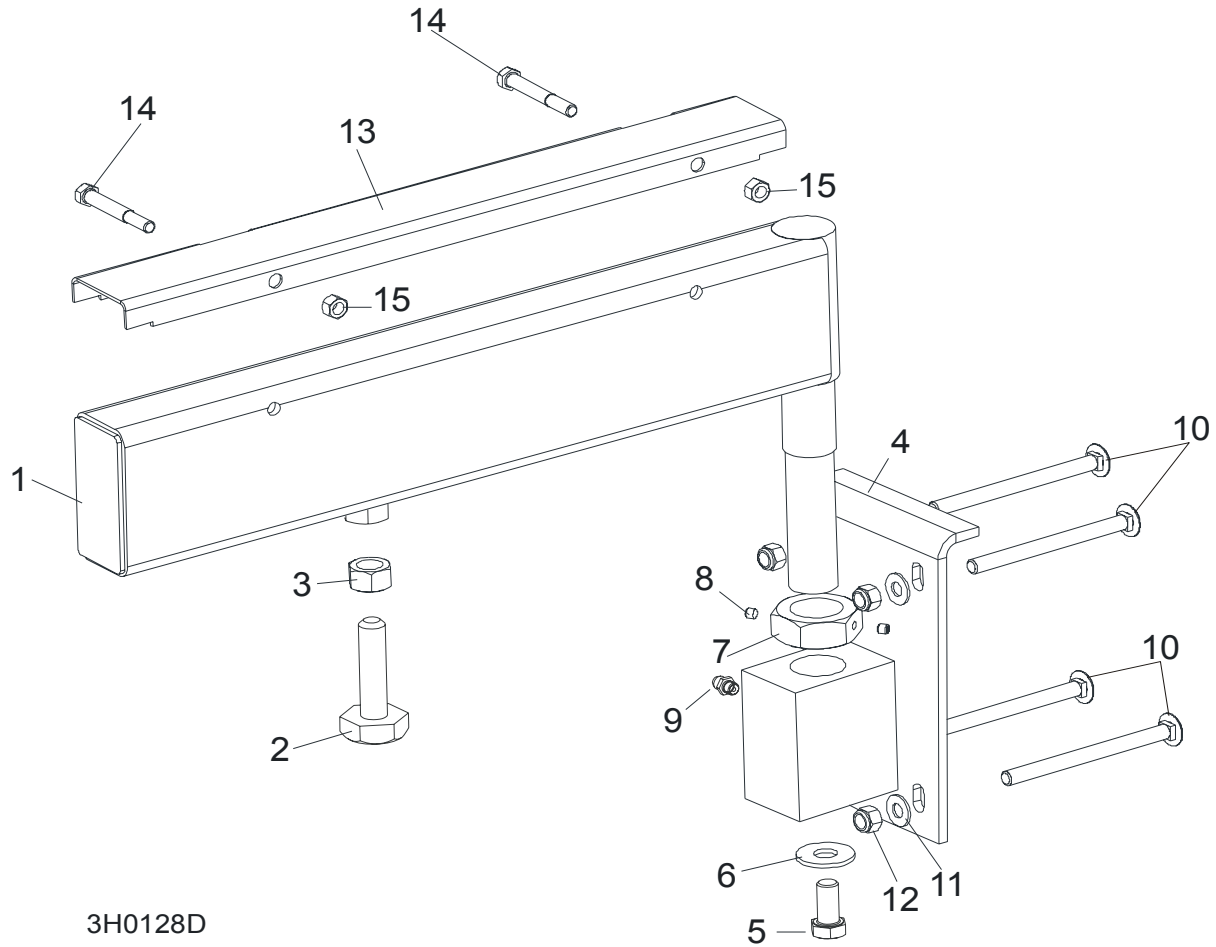


| REF | DESCRIPTION (◆ Indicates Parts Available In Assemblies Only) | PART # | QTY. |
|-----|--|-----------|------|
| 1 | LEG, LONG STATIONARY | 087451-1 | 1 |
| 2 | BOLT, M10X120 8.8 ZINC MUSHROOM HEAD SQUARE NECK | F81003-33 | 4 |
| 3 | WASHER, 10.5 FLAT ZINC | F81055-1 | 4 |

8**BED FRAME ASSEMBLY***Leg, Stationary*

| | | | | |
|----|----------------------------------|-----------|----|--|
| 4 | NUT, M10-8-B HEX NYLON ZINC LOCK | F81033-1 | 32 | |
| 5 | LEG, LEFT STATIONARY | 087450-1 | 7 | |
| 6 | BOLT, M10X25-8.8 ZINC HEX HEAD | F81003-11 | 28 | |
| 7 | LEG, FRONT STATIONARY | 087452-1 | 1 | |
| 8 | BOLT, M16 X 140 - 8.8 HEX HEAD | F81006-4 | 2 | |
| 9 | NUT, M16-8 HEX NYLON LOCK | F81036-2 | 2 | |
| 10 | LEG, MIDDLE STATIONARY | 087093-1 | 2 | |
| 11 | BOLT, M12X35-8.8 | F81004-24 | 4 | |
| 12 | WASHER, 13 FE/ZN5 | F81056-1 | 4 | |
| 13 | WASHER, 14 SQUARE TAPER | F81055-13 | 4 | |
| 14 | NUT, M12-8 HEX NYLON ZINC LOCK | F81034-2 | 4 | |

8.3 Pivot Bed Rail Assembly



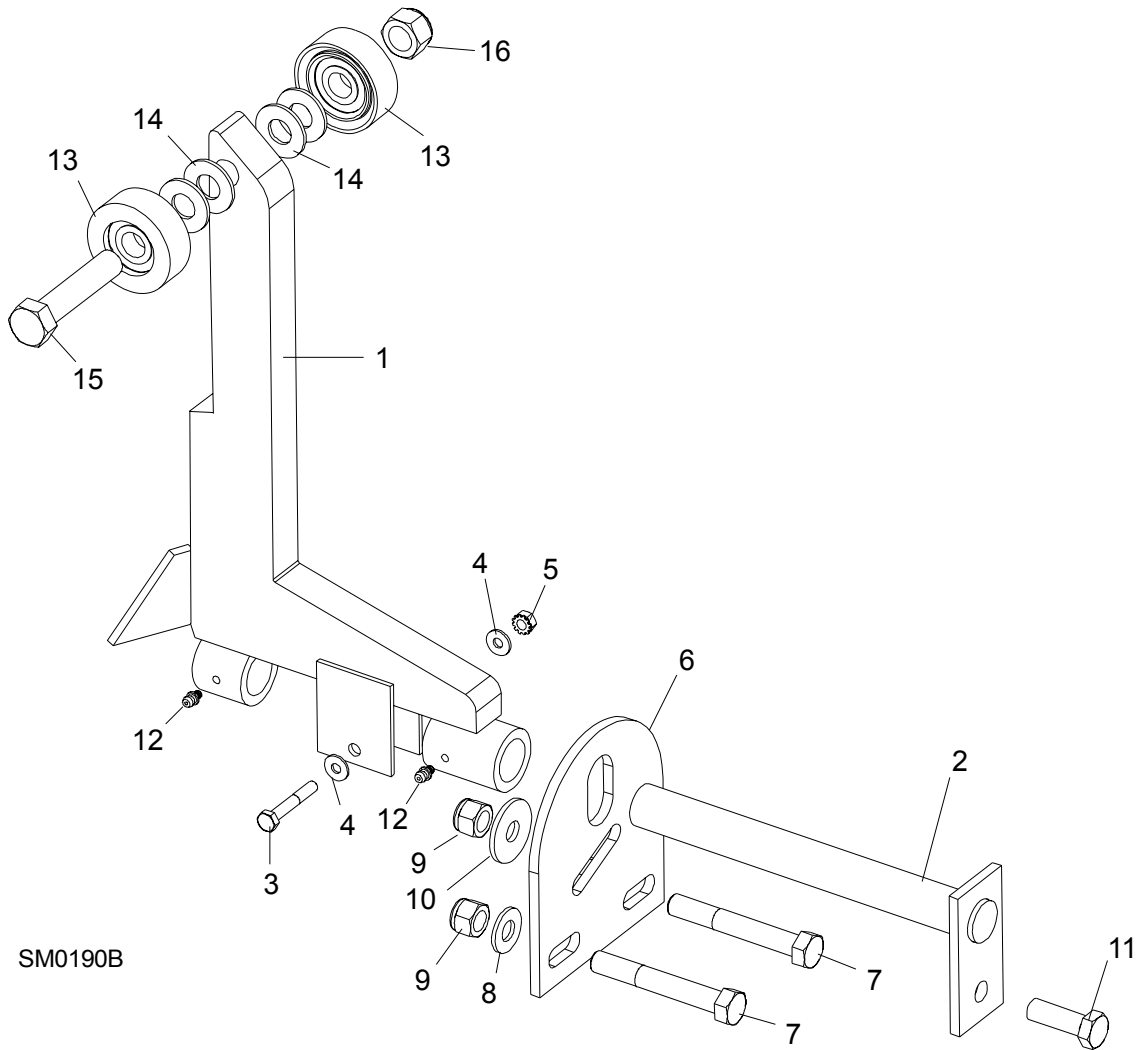
3H0128D

| REF | DESCRIPTION (◆ Indicates Parts Available In Assemblies Only) | PART# | QTY. |
|-----|--|-----------|------|
| | PIVOT BED RAIL, COMPLETE | 087855 | 2 |
| 1 | Pivot Bed Rail Assembly | 087848-1 | 1 |
| | Bolt Assembly, Bed Rail Adjustment | | 1 |
| 2 | Bolt, Pivot Bed Rail Adjustment | 086809 | 1 |
| 3 | Nut, M16-5.8 Zinc Hex | F81036-1 | 1 |
| 4 | Bracket, Pivot Bed Rail Mounting | 087841-1 | 1 |
| 5 | Bolt, M12x25-8.8 Hex Head Full Thread Zinc | F81004-31 | 1 |
| 6 | Washer, 9/16" Zinc Flat | F05011-52 | 1 |
| 7 | Nut, M32x2-04-B Zinc | 087975 | 1 |
| 8 | Screw, M6x8 Hex Socket Set Cone Point Zinc | F81013-1 | 2 |
| 9 | Fitting, 3/16" Straight Grease | 086280 | 1 |
| 10 | BOLT, M10X125 8.8 MUSHROOM HEAD SQUARE NECK ZINC | F81003-34 | 4 |
| 11 | WASHER, 10.5 FLAT | F81055-1 | 8 |
| 12 | NUT, M16-8 HEX NYLON ZINC LOCK | F81036-2 | 8 |

8**BED FRAME ASSEMBLY***Pivot Bed Rail Assembly*

| | | | | |
|-----------|---|----------|---|--|
| | COVER KIT, STAINLESS STEEL PIVOT BED RAIL | N/A | 2 | |
| 13 | Cover, Pivot Bed Rail | S13012 | 1 | |
| 14 | Bolt, M8x65-5.8 Hex Head Zinc | F81002-3 | 2 | |
| 15 | Nut, M8-8-B Hex Nylon Zinc Lock | F81032-2 | 2 | |
| | WRENCH, BED RAIL ADJUSTMENT (Patrz rozdział 8.3) | 015970 | 1 | |

8.4 Log Side Support Assembly (Manual)



| REF | DESCRIPTION (◆ Indicates Parts Available In Assemblies Only) | PART # | QTY. |
|----------|--|-----------|------|
| | SUPPORT, LOG SIDE | 092686 | |
| 1 | MOUNTING KIT, LOG SIDE SUPPORT | 085538-1 | |
| 2 | Pin, Log Side Support Pivot | 091549-1 | 1 |
| 3 | Bolt, M8x45 - 8.8 Hex Head Grade 5 | F81002-14 | 1 |
| 4 | Washer, 8.4 Flat | F81054-1 | 2 |
| 5 | Nut, M8-8-B Self Locking | F81032-2 | 1 |
| 6 | Plate, Log Side Support End | 091591-1 | 1 |
| 7 | Bolt, M12 x 90-8.8 Hex Head | F81004-2 | 2 |
| 8 | Washer, 13 Flat | F81056-1 | 2 |
| 9 | Nut, M12-8 Hex Nylon Lock | F81034-2 | 3 |

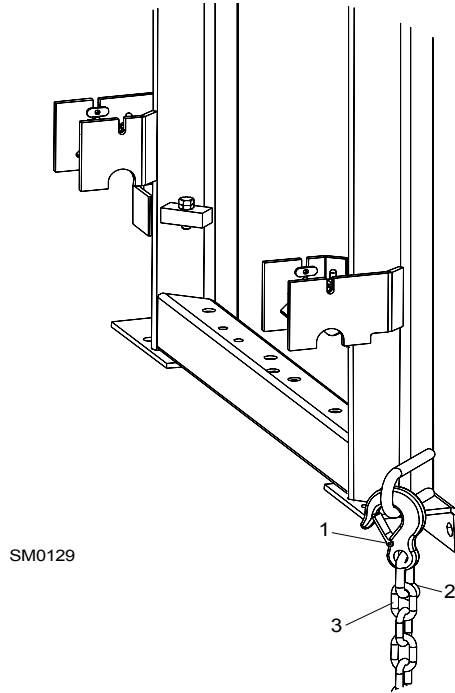
8

BED FRAME ASSEMBLY

Log Side Support Assembly (Manual)

| | | | | |
|----|--|---------------------------|-------------------|--|
| 10 | Washer, .5" x 1.63" x 11" Ga. | 086184 | 1 | |
| 11 | Bolt, M12 x 35-8.8 Hex Head | F81004-24 | 1 | |
| 12 | FITTING, 3/16" GREASE | P04107 | 2 | |
| 13 | Roller Assembly, Side Support | 015014-1 | 2 | |
| 14 | Washer, 17 Flat | F81058-1 | 2 | |
| 15 | Bolt, M16x65-8.8-B Hex Head Grade 5 | F81006-1 | 1 | |
| 16 | Nut, M16-8 Nylon Lock | F81036-2 | 1 | |
| | Instruction Sheet, Side Support Roller | 015109-526 | 1 | |

8.5 Tie Down Chain Assembly

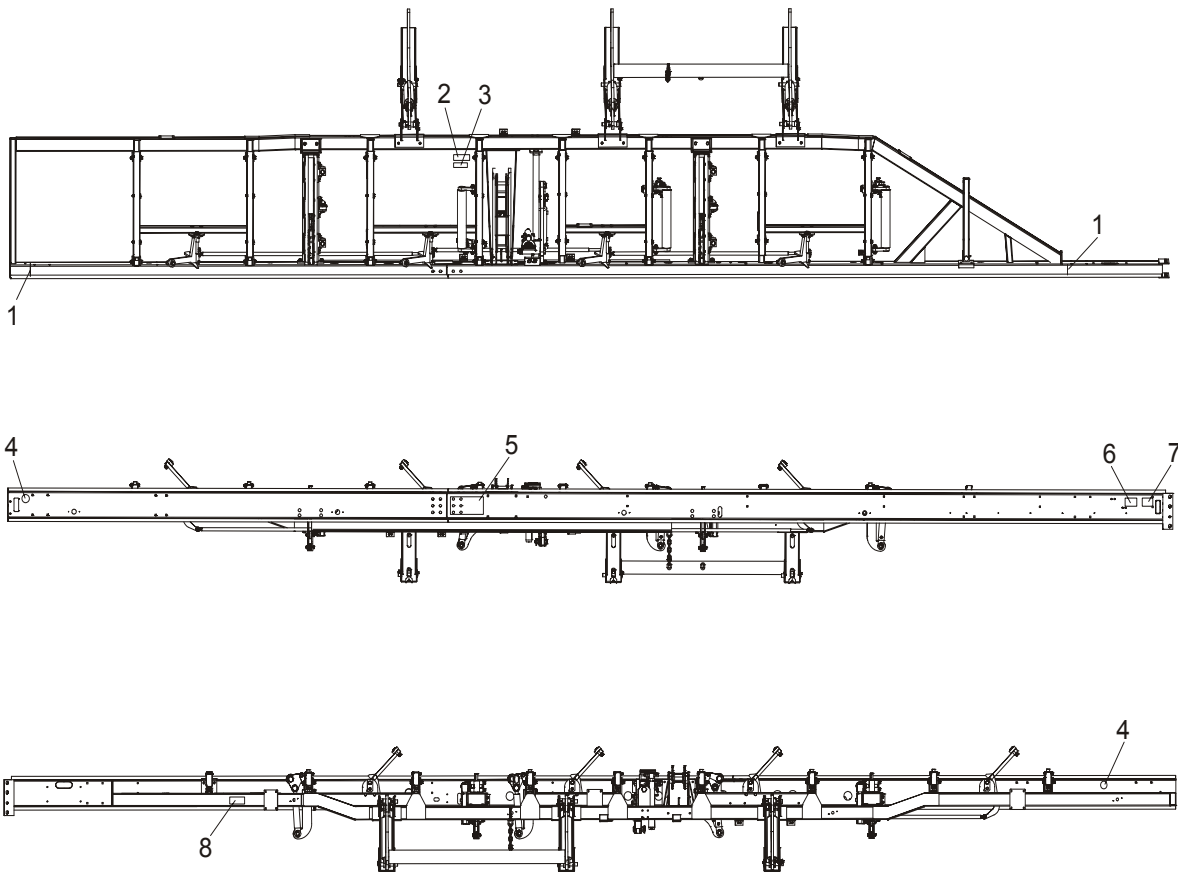


| REF | DESCRIPTION (◆ Indicates Parts Available In Assemblies Only) | PART # | QTY. | |
|----------|--|--------|-------|---|
| | CHAIN ASSEMBLY, TIE DOWN | A04376 | 1 | |
| 1 | Hook, 5/8" Safety Chain | P12075 | 1 | ◆ |
| 2 | Link, 3/8" Lap | 014457 | 1 | ◆ |
| 3 | Chain, n-10 x 35 | R80558 | .28 m | ◆ |

8 BED FRAME ASSEMBLY

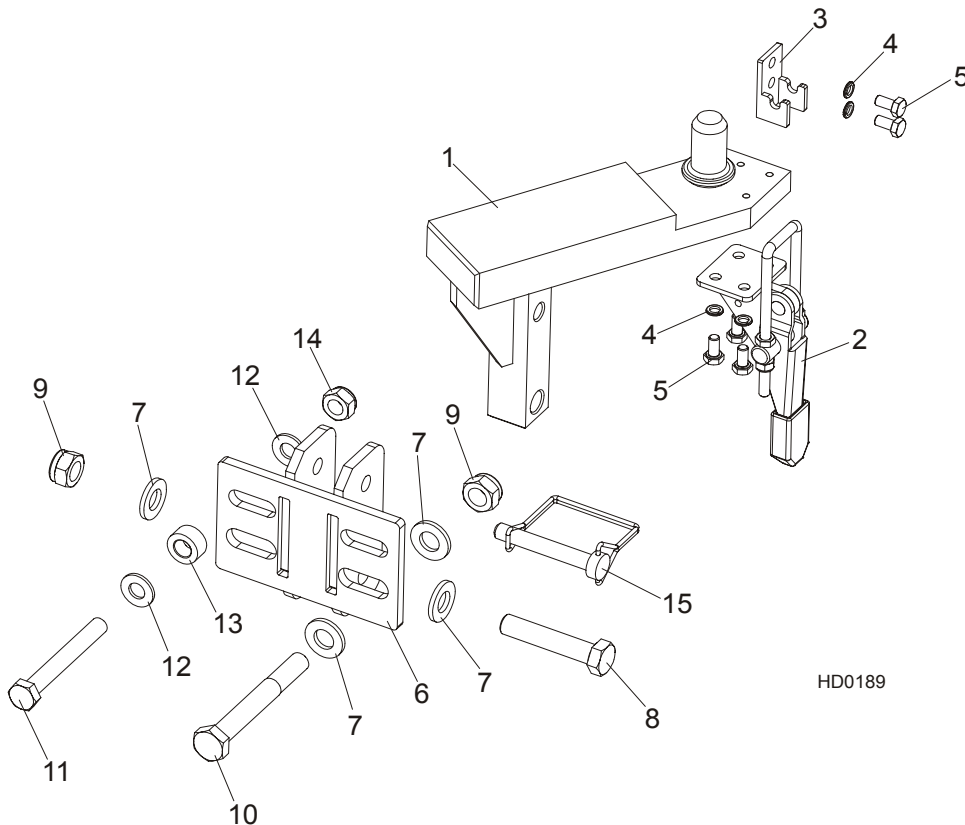
Bed Frame Decals

8.6 Bed Frame Decals



| REF | DESCRIPTION (◆ Indicates Parts Available In Assemblies Only) | PART # | QTY. |
|-----|--|--------|------|
| 1 | DECAL, LOG LENGTH LIMIT | S12051 | 2 |
| 2 | DECAL, HYDRAULIC OIL TYPE | 085068 | 1 |
| 3 | DECAL, HYDRAULIC WORKING PRESSURE | 085069 | 1 |
| 4 | DECAL, AMBER REFLECTIVE 2" ROUND | P07453 | 2 |
| 5 | DECAL, PINCH POINT DANGER | P10287 | 1 |
| 6 | DECAL, CE CERTIFIED SAWMILL, SMALL | P85070 | 1 |
| 7 | DECAL, GS SAFETY CERTIFICATION, SMALL | P85072 | 1 |
| 8 | DECAL, KEEP AWAY DANGER | S09851 | 1 |

8.7 LT70 L Saw Head Support Assembly



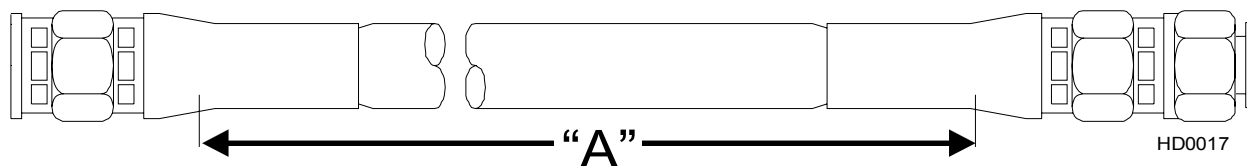
| L.P. | OPIS (◆ wskazuje części dostępne jedynie w zespołach) | NUMER KAT. | SZT. |
|------|---|------------|------|
| | SAW HEAD REST PIN W/LATCH CLAMP, LT70L | 094657 | 1 |
| 1 | Pin Weldment, LT70L Saw Head Rest | 094655-1 | 1 |
| 2 | Clamp, GN851.2-320-T4 Latch | 094656 | 1 |
| 3 | Latch Bracket, GN851.2-320-T4 Zinc-plated | 094659-1 | 1 |
| 4 | Washer, Z 6.1 Split Lock Zinc | F81053-3 | 6 |
| 5 | Bolt, M6x12-8.8 Hex Head Full Thread Zinc | F81001-7 | 6 |
| 6 | BRACKET, LT40 SAW HEAD REST PIN MOUNT PAINTED | 092765-1 | 1 |
| 7 | WASHER, 13 FLAT ZINC | F81056-1 | 4 |
| 8 | BOLT, M12 X 60-8.8 HEX HEAD ZINC | F81004-5 | 1 |
| 9 | NUT, M12-8 HEX NYLON ZINC LOCK | F81034-2 | 2 |
| 10 | BOLT, M12x95-8.8 HEX HEAD ZINC | F81004-29 | 1 |
| 11 | BOLT, M10x80-8.8 HEX HEAD ZINC | F81003-50 | 1 |
| 12 | WASHER, 10.5 FLAT ZINC | F81055-1 | 2 |
| 13 | BUSHING, ZINC-PLATED SPACER | 090936-1 | 1 |
| 14 | NUT, M10-8-B HEX NYLON ZINC LOCK | F81033-1 | 1 |
| 15 | PIN, 3/8" X 2 1/4" SNAP RETAINER | 014151 | 1 |

9 HYDRAULIC SYSTEM

Hydraulic hoses, LT40/70L AH

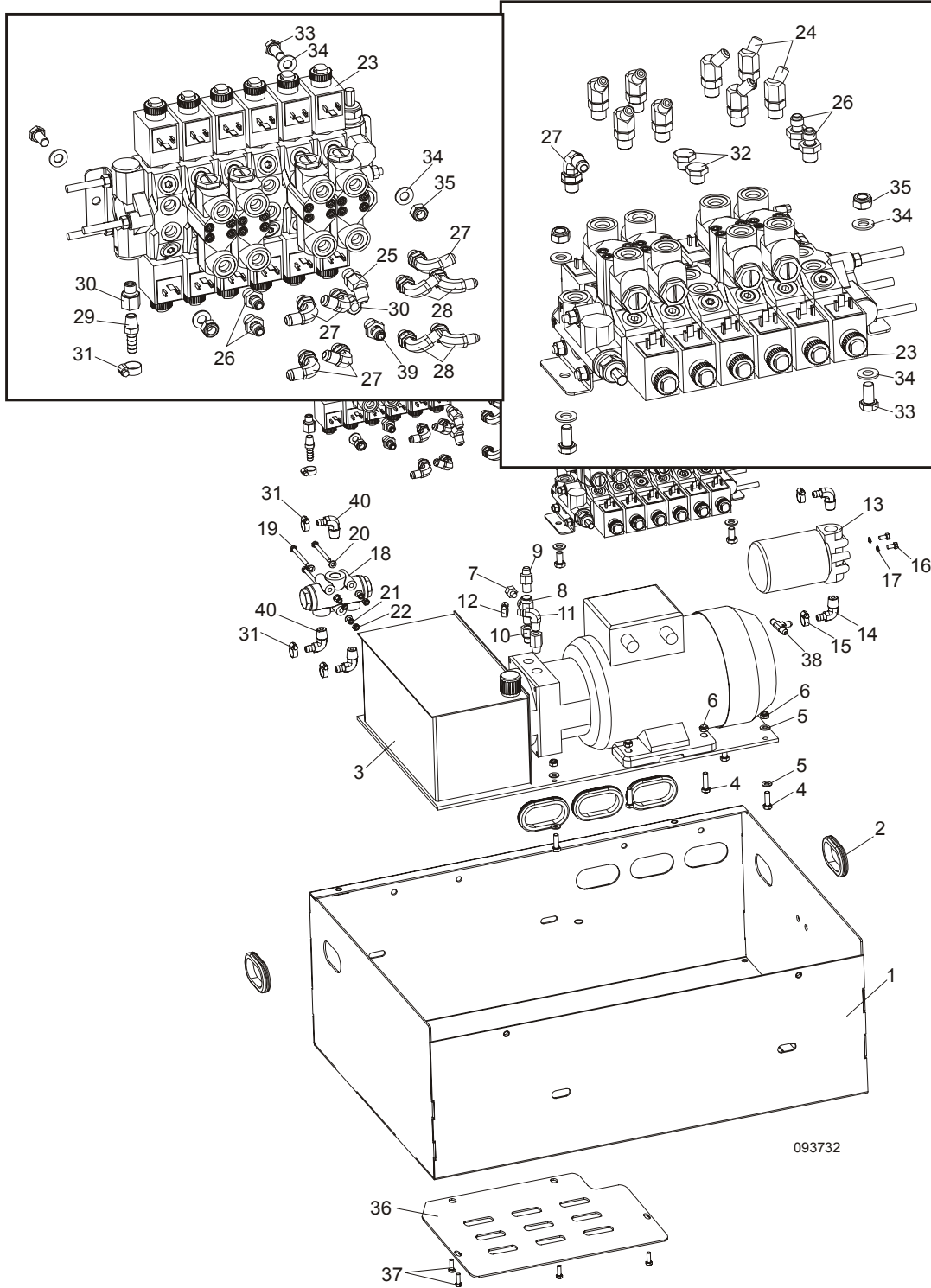
SECTION 9 HYDRAULIC SYSTEM

9.1 Hydraulic Hoses, LT40/70L AH



| COLOR CODE | LENGT H (m) | DESCRIPTION (◆ Indicates Parts Available In Assemblies Only) | PART # | QTY. |
|----------------------------|----------------|---|--------|------|
| NONE | 0,35 | 3/8" HYDRAULIC PUMP TO HYDRAULIC VALVE | 089809 | 1 |
| NONE | 0,65 | 3/8" VALVE TO VALVE | 089844 | 1 |
| RED | 0,43 | 3/8" SECTION TO OIL FLOW DIVIDER | 089845 | 1 |
| ORANGE | 2,80 | 3/8" MIDDLE LOG CLAMP, IN/OUT CYLINDER (CLAMP OUT) | 089846 | 1 |
| WHITE | 3,00 | 3/8" MIDDLE LOG CLAMP, IN/OUT CYLINDER (CLAMP IN) | 089847 | 1 |
| NONE/PINK | 5,40 | 3/8" HYDRAULIC VALVE TO LOG SIDE SUPPORT CYLINDER | 089848 | 2 |
| BROWN/LILAC | 4,10 | 3/8" LOG SIDE SUPPORT VALVE TO LOG TURNER | 089849 | 2 |
| YELLOW | 1,80 | 3/8" 3RD LOG LOADER CYLINDER (SINGLE LOADING ARM) BOTTOM TO OIL FLOW DIVIDER | 089850 | 1 |
| BLUE | 0,72 | 3/8" HYDRAULIC VALVE TO 1ST TEE CONNECTOR (NEXT TO LOG TURNER) | 089851 | 1 |
| GREEN/YEL- LOW GREEN | 1,20 | 3/8" 3RD TEE CONNECTOR TO 2ND LOG LOADER CYLINDER TOP/BOTTOM 3/8" 1ST TEE CONNECTOR TO 3RD LOG LOADER CYLINDER TOP | 089852 | 3 |
| RED | 2,00 | 3/8" OIL FLOW DIVIDER TO 2ND TEE CONNECTOR | 089853 | 1 |
| YELLOW | 2,10 | 3/8" 2ND TEE CONNECTOR TO 1ST LOG LOADER CYLINDER BOTTOM | 089854 | 1 |
| BLUE | 1,60 | 3/8" 1ST TEE CONNECTOR TO 3RD TEE CONNECTOR | 089855 | 1 |
| GREEN | 1,90 | 3/8" 3RD TEE CONNECTOR TO 1ST LOG LOADER CYLINDER TOP | 089856 | 1 |
| LILAC/BLACK | 2,55 | 1/4" 3RD TOE BOARD | 089859 | 2 |
| LILAC/BLACK | 0,85 | 1/4" 2ND TOE BOARD | 089860 | 2 |
| BROWN/SIL- VER | 4,10 | 1/4" 1ST TOE BOARD | 089861 | 2 |
| YELLOW | 3,85 | 1/4" MIDDLE LOG CLAMP, UP/DOWN CYLINDER BOTTOM | 089862 | 1 |
| GREEN | 3,95 | 1/4" MIDDLE LOG CLAMP, UP/DOWN CYLINDER TOP | 089863 | 1 |
| ORANGE | 4,20 | 1/4" 1ST LOG CLAMP IN/OUT (CLAMP OUT) | 089864 | 1 |
| WHITE | 4,40 | 1/4" 1ST LOG CLAMP IN/OUT (CLAMP IN) | 089865 | 1 |
| BLUE/RED | 4,90 | 1/4" 1ST LOG CLAMP UP/DOWN | 089866 | 2 |
| WHITE/ORAN GE | 2,70 | 1/4" 3RD LOG CLAMP IN/OUT | 089867 | 2 |
| BLUE/RED | 0,60 | 1/4" 3RD LOG CLAMP UP/DOWN | 089868 | 2 |

9.2 Hydraulic Control Box, LT40/70 AH15/14



093732

9

HYDRAULIC SYSTEM*Hydraulic Control Box, LT40/70 AH15/14*

| REF | DESCRIPTION (◆ Indicates Parts Available In Assemblies Only) | PART # | QTY. | |
|-----|--|---------------------|------|--|
| | HYDRAULIC CONTROL BOX, LT40/70 AH15 | 093732 ¹ | 1 | |
| | HYDRAULIC CONTROL BOX, LT40/70 AH14 | 093734 | 1 | |
| | HYDRAULIC CONTROL BOX, LT40/70 AH13 | 093736 | 1 | |
| 1 | Box Weldment, 9.5 M AC Hydraulic Control | 089636-1 | 1 | |
| 2 | Grommet, FM54 Rubber | 087065 | 5 | |
| 3 | HYDRAULIC PUMP W/MOTOR, 4KW 14.5 L/MIN. AC | 093459 | 1 | |
| 4 | Bolt, M8X25-8.8-B Zinc Hex Head | F81002-5 | 4 | |
| 5 | Washer, 8.4 Flat Zinc | F81054-1 | 8 | |
| 6 | Nut, M8-8-B Zinc Hex Nylon Lock | F81032-2 | 4 | |
| 7 | Plug, 1/4" NPT Blank | 096221 | 1 | |
| 8 | Fitting, C3759X4 Tee Connector | P09141 | 1 | |
| 9 | Fitting, 1/4" NPT - 1/4" NPT Male | P09143 | 1 | |
| 10 | Fitting, #6SEA MALE - 1/4NPT Female | 014686 | 1 | |
| 11 | Fitting, #6-6 (3/8" NPT) - 3/8" Elbow | P12708 | 1 | |
| 12 | Clamp, 11/16 Hose | P12739 | 1 | |
| 13 | BRANCH-JOINT, HYDRAULIC WITH 1.2" FILTER | P22683 | 1 | |
| 14 | Fitting, 1/2" NPT - 3/8" Elbow | P12707 | 2 | |
| 15 | Clamp, 11/16 Hose | P12739 | 4 | |
| 16 | Bolt, 1/4-20 X 1/2" Zinc Hex Head Grade 2 | F05005-15 | 2 | |
| 17 | Washer, Z 6.1 Split Lock Zinc | F81053-3 | 2 | |
| 18 | DIVIDER, MTD A 08-016M 1/3 / 2/3 OIL FLOW | 088190 ² | 1 | |
| 19 | Bolt, M6X65-8.8 Zinc Hex Head | F81001-81 | 3 | |
| 20 | Washer, 6.4 FLAT ZINC | F81053-1 | 6 | |
| 21 | Washer, Z 6.1 Split Lock Zinc | F81053-3 | 2 | |
| 22 | Nut, M6-8-B Hex Nylon Lock Zinc | F81031-2 | 3 | |
| 23 | HYDRAULIC VALVE, HDS11 6K01-151/MOD 6/062Z0 | 088188 | 1 | |
| | HYDRAULIC VALVE, HDS11 6K01-151/MOD 6/063Z0 | 088189 | 1 | |
| 24 | Fitting, #4 SAE - #6 SAE 45° Elbow | 015488 | 8 | |
| 25 | Fitting, #6 SAE 45° Elbow 45ST #6SAE | 015489 | 1 | |
| 26 | Fitting, 3/8" O-ring - 1/4" JIC | P26284 | 4/2 | |
| 27 | Fitting, #6 SAE 3/8" JIC Elbow | P12704 | 6 | |
| 28 | Fitting, 90 9/16-18 JIC 7/16-20 JIC Elbow | 089642 | 4 | |
| 29 | Fitting, L" NPT X 3/8" Hose Barb | 014685 | 2 | |
| 30 | Fitting, #6SEA MALE - 1/4NPT Female | 014686 | 2 | |
| 31 | Clamp, 11/16 Hose | P12739 | 2/4 | |
| 32 | Plug, 9/16-18 JIC Hydraulic Valve | 089647 | 2 | |
| 33 | Bolt, M10X20-5.8 Zinc Hex Head | F81003-1 | 4 | |
| 34 | Washer, 10.5 Flat Zinc | F81055-1 | 8 | |
| 35 | Nut, M10-8-B Hex Nylon Lock Zinc | F81033-1 | 4 | |
| 36 | COVER WELDMENT, LT80 HYDRAULIC BOX BOTTOM PAINTED | 090962-1 | 1 | |
| 37 | BOLT, M6x16 8.8 ZINC HEX HEAD | F81001-15 | 4 | |
| 38 | FITTING, 3/8 BARB TEE | 015485 | 1 | |
| 39 | FITTING, 3/8JIC-1/4NPT STRAIGHT | 015560 | 1 | |

HYDRAULIC SYSTEM

9

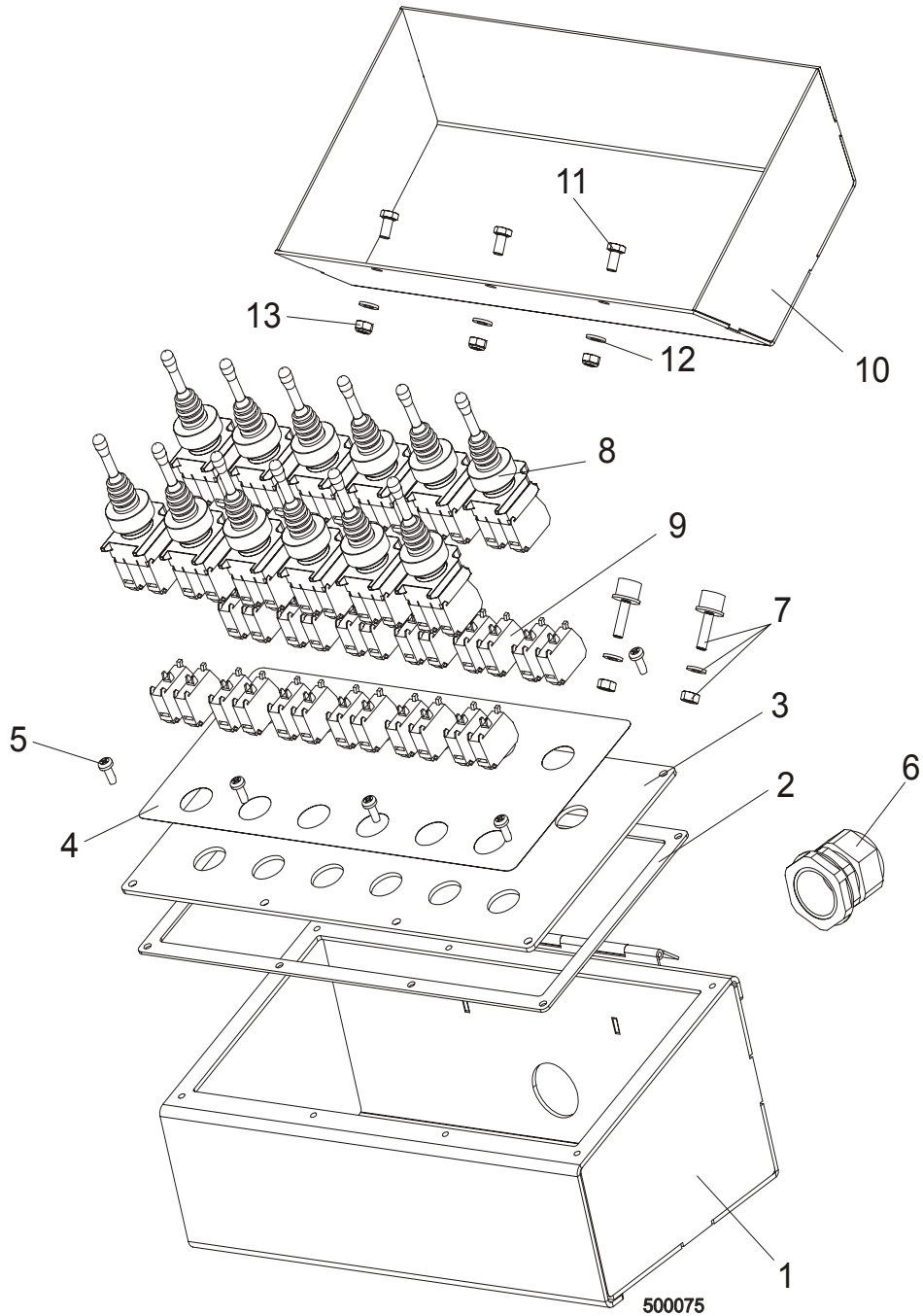
Hydraulic Control Box, LT40/70 AH15/14

| | | | | |
|----|---|--------|---|--|
| 40 | FITTING, 90 18x1,5 9/16-18 JIC ELBOW | 089992 | 3 | |
| | MATRIX, DIODE HYDRAULIC | 096963 | 2 | |

¹ Depending on type of sawmill.

² Not included with AH14 hydraulic kit.

9.3 Hydraulic Control Box



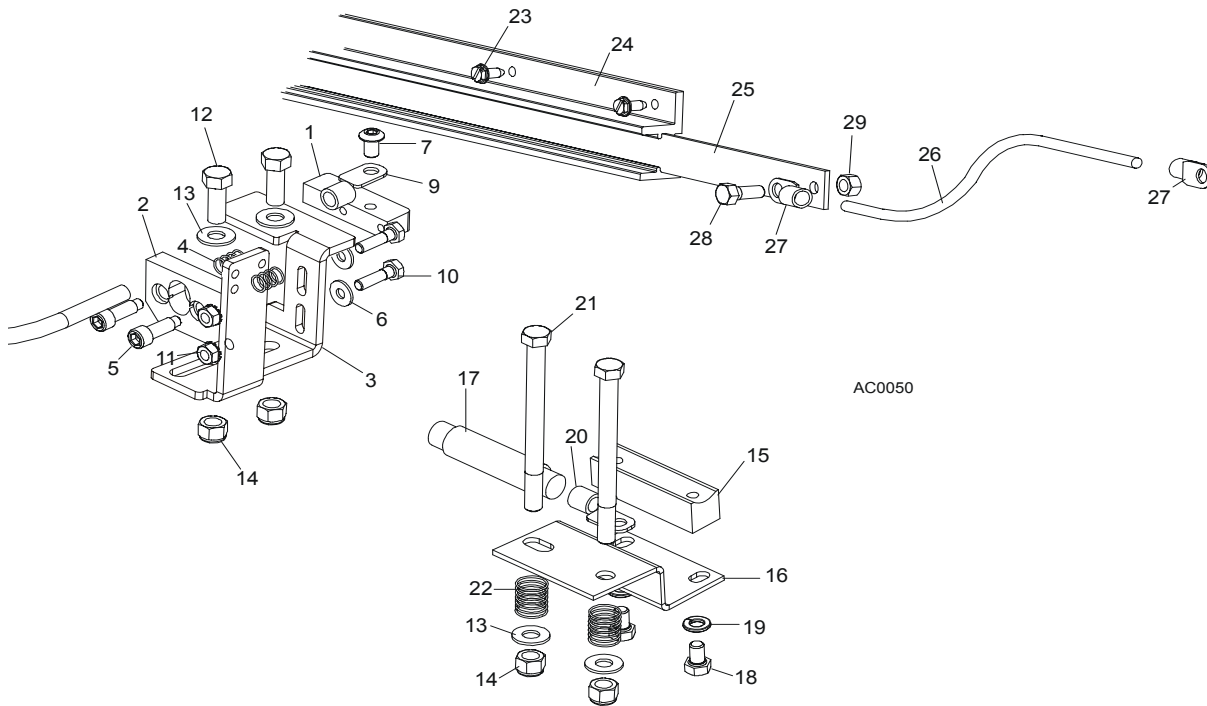
| REF | DESCRIPTION (◆ Indicates Parts Available In Assemblies Only) | PART # | QTY. |
|-----|--|----------|------|
| | BOX, 9.5 M FRAME HYDRAULIC CONTROL | 088164 | 1 |
| 1 | Box Weldment, Hydraulic Control | 088163-1 | 1 |
| 2 | Gasket, 9.5 m Frame | 089998 | 1 |
| 3 | Panel, Hydraulic Control Box Front 9.5 m | 089997-1 | 1 |
| 4 | Decal, Front Panel (9 m Frame) | 088159 | 1 |

| | | | | |
|-----------|--|-----------|----|--|
| 5 | Screw, #10-24 x 1/2 Pan Head | F05015-17 | 8 | |
| 6 | Seal, DP 29/H Gland | F81096-1 | 1 | |
| 7 | Bumper, A/022 Rubber | 088376 | 2 | |
| 8 | Joystick, PMJN8T3 | 096928 | 12 | |
| 9 | Contact, 1NO PL004002 | 096929 | 24 | |
| 10 | Cover, Hydraulic Control Box (9.5 m Frame) | 088172-1 | 1 | |
| 11 | Bolt, M6X12-8.8 Zinc Hex Head | F81001-7 | 3 | |
| 12 | Washer, 6.4 Flat Zinc | F81053-1 | 3 | |
| 13 | Nut, M6-8-B Hex Nylon Lock Zinc | F81031-2 | 3 | |

9 HYDRAULIC SYSTEM

Hydraulic Power Supply Strip

9.4 Hydraulic Power Supply Strip



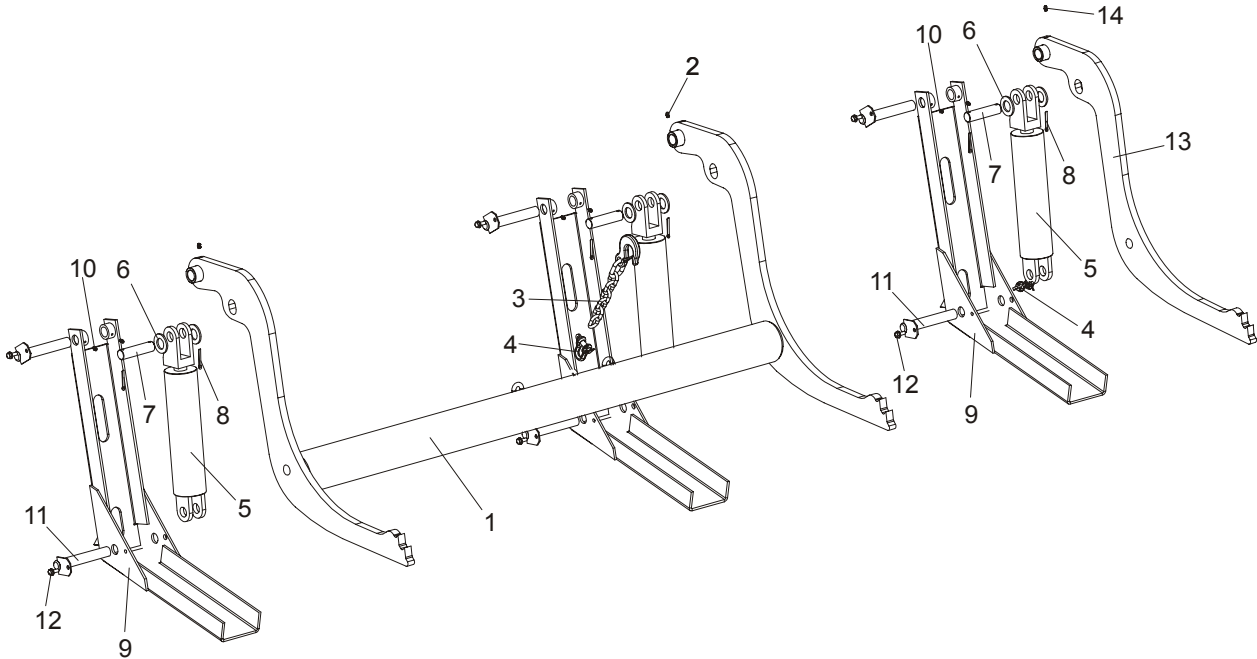
| REF | DESCRIPTION (◆ Indicates Parts Available In Assemblies Only) | PART # | QTY. | |
|-----|--|-----------|-------|---|
| | CONTACT KIT, HYDRAULIC 6' POWER SUPPLY | A12042-N | 1 | |
| | Contact Hardware Kit | A10073-N | 1 | ◆ |
| | Contact Assembly, Hydraulic Power Supply (Positive) | 085968 | 1 | |
| 1 | Contact, Hydraulic Power Supply (Positive) | 015253 | 1 | |
| 2 | Insulator, Positive Contact | S10072 | 1 | |
| 3 | Bracket, Positive Contact Mounting | 086380-1 | 1 | |
| 4 | Spring, Positive Contact | P10077 | 2 | |
| 5 | Bolt, 5/16" X 3/4" Shoulder (1/4-20 Thread) | F05006-44 | 2 | |
| 6 | Washer, 7.4 Flat | F81056-11 | 2 | |
| 7 | Bolt, 5/16-18 x 1/2" Socket Button Head | F05006-20 | 1 | |
| | Cable Assy, Hydraulic Positive Contact | 015885 | 1 | |
| 8 | Cable, #1 Weld | R01948 | 0.75m | ◆ |
| 9 | Terminal, 35 Ring #2 Gauge | F81066-3 | 2 | |
| 10 | Bolt, 1/4-20 X 1" Hex Head Grade 2 | F05005-38 | 2 | |
| 11 | Nut, 1/4-20 Hex Self-Locking | F05010-9 | 2 | |
| 12 | Bolt, 3/8-16 X 1" Hex Head Grade 5 | F05007-87 | 2 | |
| 13 | Washer, 10.5 Flat | F81055-1 | 4 | |
| 14 | Nut, 3/8-16 Hex Nylon Lock | F05010-10 | 4 | |
| | Contact Assembly, Hydraulic Power Supply (Ground) | A10066 | 1 | |
| 15 | Contact, Hydraulic Power Supply (Ground) | 015264 | 1 | |

| | | | | |
|----|---|-----------|------|---|
| 16 | Bracket, Ground Contact Mounting | 015265 | 1 | |
| 17 | Cable, #1 Weld | R01948 | .63m | ◆ |
| 18 | Bolt, 5/16-18 X 1/2" Hex Head Grade 5 | F05006-15 | 2 | |
| 19 | Washer, 8.2 Split Lock | F81054-4 | 2 | |
| 20 | Terminal, 35 Ring #2 Gauge | F81066-3 | 1 | |
| 21 | Bolt, 3/8-16 X 4 1/2" Hex Head Grade 2 | F05007-35 | 2 | |
| 22 | Spring, Ground Contact | P04282 | 2 | |
| 23 | Screw, 1/4-20 X 1/2" Slotted Hex Head | F05015-1 | 14 | |
| | Strip Assembly, 6' Hydraulic Power Supply w/3 ft. Cable | A11977 | 1 | |
| 24 | Housing, 6' Contact Strip | P11976 | 1 | |
| | Strip, 6' Contact With Cable | A12043-N | 1 | |
| 25 | Strip, 6' Contact | S10075 | 1 | ◆ |
| 26 | Cable, #2 Weld | R80583-21 | | ◆ |
| 27 | Terminal, 35 Ring #2 Gauge | F81066-3 | 2 | |
| 28 | Bolt, 5/16-18 X 3/4" Hex Head Black Nylon | F05006-45 | 1 | |
| 29 | Nut, 5/16-18 Hex Black Nylon | F05010-86 | 1 | |
| | Tube, 5/8" Heat Shrink | R01950-5 | .03m | ◆ |
| | Grommet, 5/8" Wire | P04137 | 1 | |

9 HYDRAULIC SYSTEM

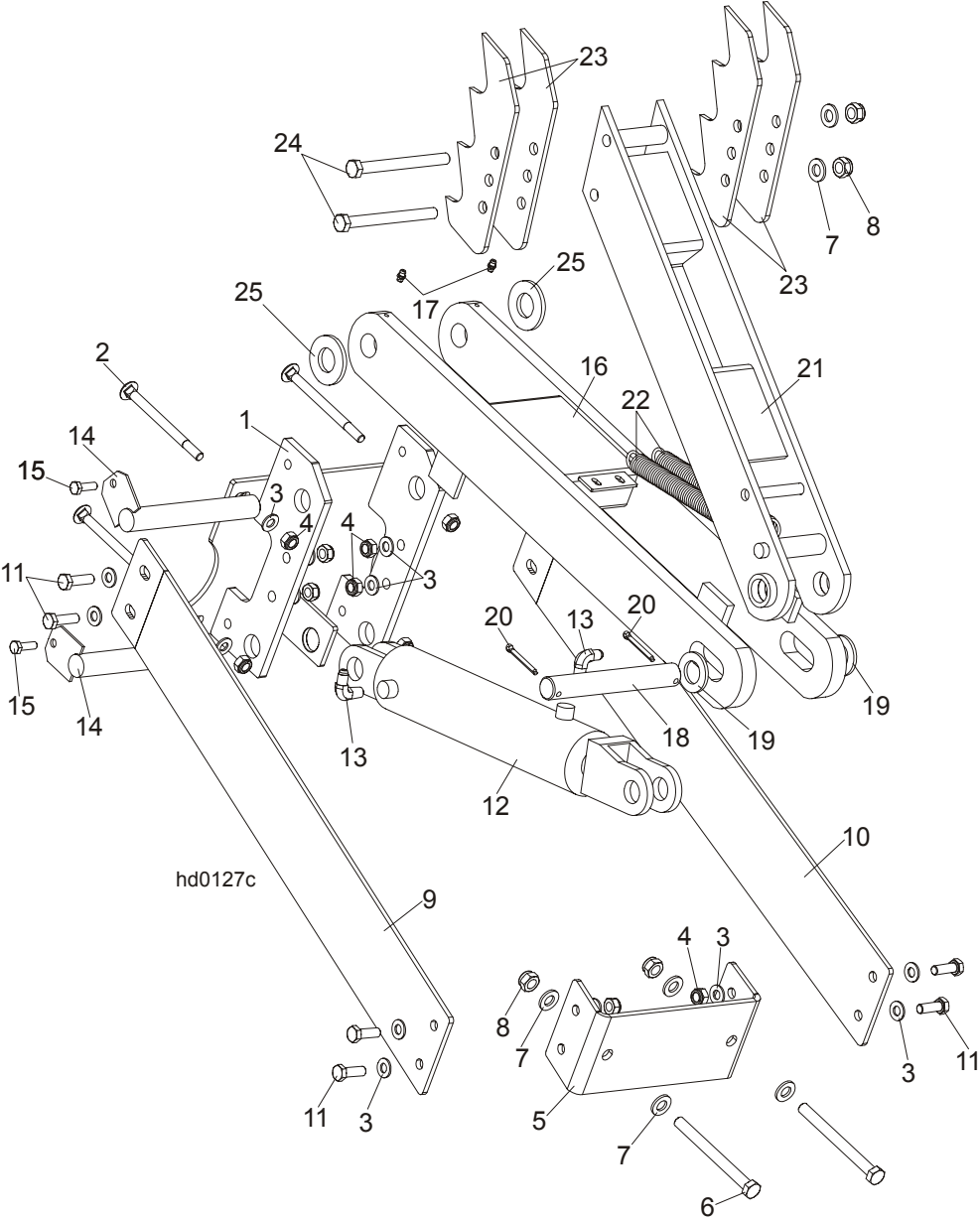
Hydraulic Log Loader

9.5 Hydraulic Log Loader



| REF | DESCRIPTION (◆ Indicates Parts Available In Assemblies Only) | PART # | QTY. |
|-----|--|-----------|------|
| | HYDRAULIC LOG LOADER, COMPLETE | 090044 | 1 |
| 1 | Log Loader | 090006-1 | 1 |
| 2 | Fitting, 3/16" Straight Grease | P04107 | 2 |
| 3 | CHAIN, LOG LOADER SAFETY | A04376 | 1 |
| 4 | SHACKLE, M-D .63 | 086540 | 1 |
| 5 | CYLINDER, CJ-S95-16-70/32/203 HYDRAULIC | 088680 | 3 |
| 6 | WASHER, 28 FLAT ZINC | F81061-1 | 6 |
| 7 | PIN, LOADING ARM CYLINDER MOUNT ZINC | 086979-1 | 3 |
| 8 | PIN, S-Zn 5x40 COTTER | F81043-31 | 6 |
| 9 | Foot, Log Loader | 090048-1 | 3 |
| 10 | Fitting, 3/16" Straight Grease | P04107 | 6 |
| 11 | PIN, LOADER FOOT MOUNT | W09446-1 | 6 |
| 12 | SCREW, 5/16-18 x 3/4 SELF-TAPPING | F05015-30 | 6 |
| | ARM, LOG LOADING SINGLE - COMPLETE | 090051 | 1 |
| 13 | Rarm, hydraulic log loading | 089657-1 | 1 |
| 14 | Fitting, 3/16" Straight Grease | P04107 | 1 |

9.6 Hydraulic Log Turner



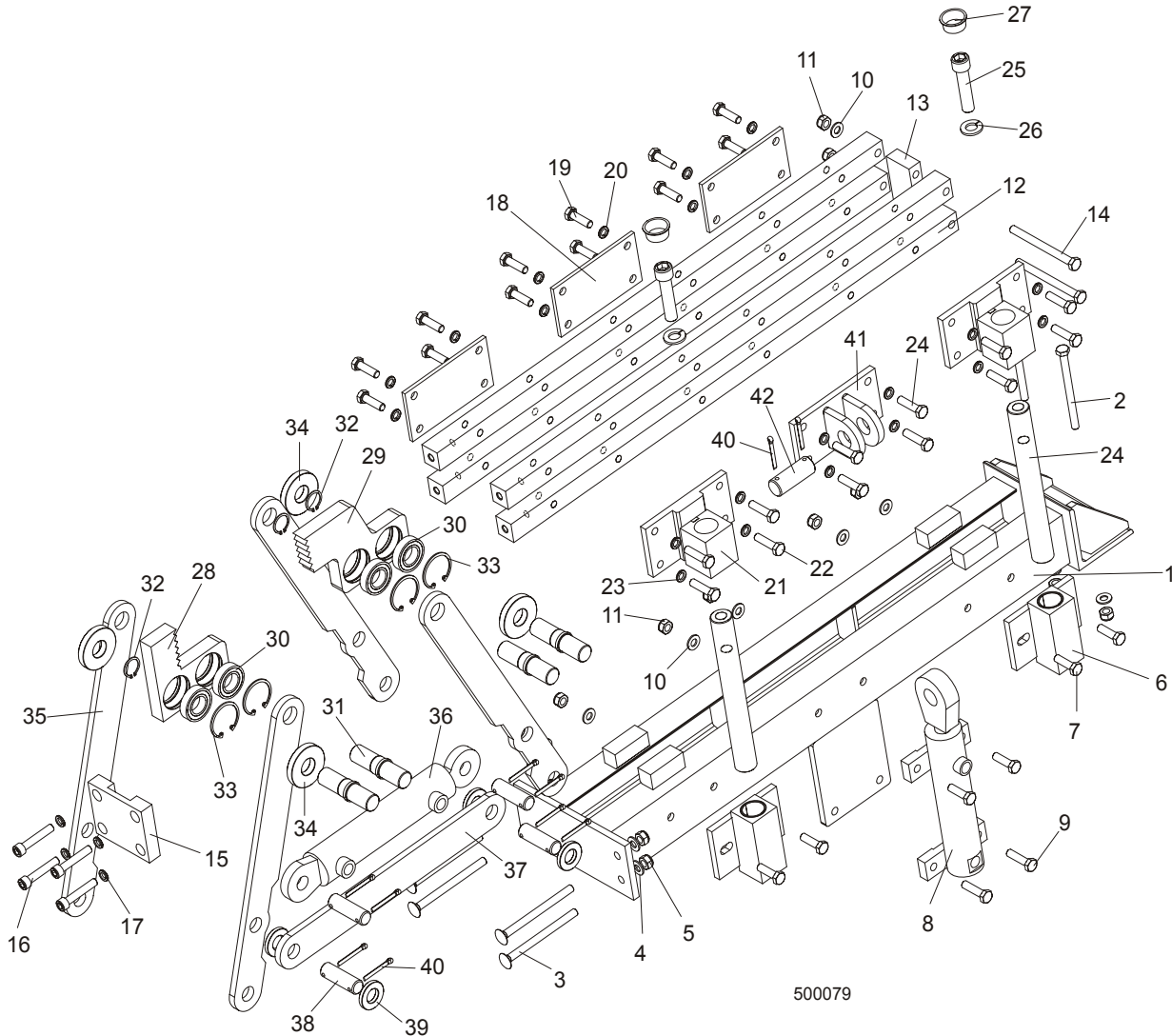
| REF | DESCRIPTION (◆ Indicates Parts Available In Assemblies Only) | PART # | QTY. |
|-----|--|-----------|------|
| | HYDRAULIC LOG TURNER, 9.5 M, COMPLETE | 088073 | 1 |
| 1 | Bracket, Hydraulic Log Turner Mount | 088710-1 | 1 |
| 2 | Bolt, M10x120 8.8 Mushroom Head Square Neck Zinc | F81003-33 | 4 |
| 3 | Washer, M10 Flat Zinc | F81055-1 | 20 |
| 4 | Nut, M10 Nylon Hex Zinc Lock | F81033-1 | 12 |
| 5 | Bracket, Log Turner Front Mount | 094363-1 | 1 |

9

HYDRAULIC SYSTEM*Hydraulic Log Turner*

| | | | | |
|----|--|-----------|---|--|
| 6 | Bolt, M12x130-8.8 Hex Head Zinc | F81004-36 | 2 | |
| 7 | Washer, M12 Flat Zinc | F81056-1 | 6 | |
| 8 | Nut, M12 Hex Nylon Zinc Lock | F81034-2 | 4 | |
| 9 | Plate, Short Log Turner Left Brace | 094364-1 | 1 | |
| 10 | Plate, Short Log Turner Right Brace | 094365-1 | 1 | |
| 11 | Bolt, M10x30mm Hex Head Grade 5.8 Zinc | F81003-2 | 8 | |
| | Cylinder Assy, Log Turner Super | 015563 | 1 | |
| 12 | Cylinder, CJ-S305-16-63/28/203 Hydraulic | 088679 | 1 | |
| 13 | Fitting, 1/4NPTx1/4JIC Male Elbow | P09142 | 2 | |
| 14 | Pin, Log Turner Mount | 088667-1 | 2 | |
| 15 | Bolt, M8 x 25mm Hex Head Grade 5.8 Zinc | F81002-5 | 2 | |
| 16 | Arm, Hydraulic Log Turner Link | 088060-1 | 1 | |
| 17 | Fitting, M6 Straight Grease | 086280 | 2 | |
| 18 | Pin, 25 x 180 | 088664 | 1 | |
| 19 | Washer, 25 Flat Zinc | F81061-3 | 2 | |
| 20 | Pin, 5x40 Cotter Zinc | F81043-31 | 2 | |
| 21 | Arm, Hydraulic Log Turner Painted | 088067-1 | 1 | |
| 22 | Spring, 7/8x81/2x1/8 Extension | P09136 | 2 | |
| 23 | Claw, Hydraulic Log Turner | 088082-1 | 4 | |
| 24 | Bolt, M12x130-8.8 Hex Head Zinc | F81004-36 | 2 | |
| 25 | Washer, GTM-2644-015 | 093359 | 2 | |

9.7 Hydraulic Log Clamp, Front and Rear

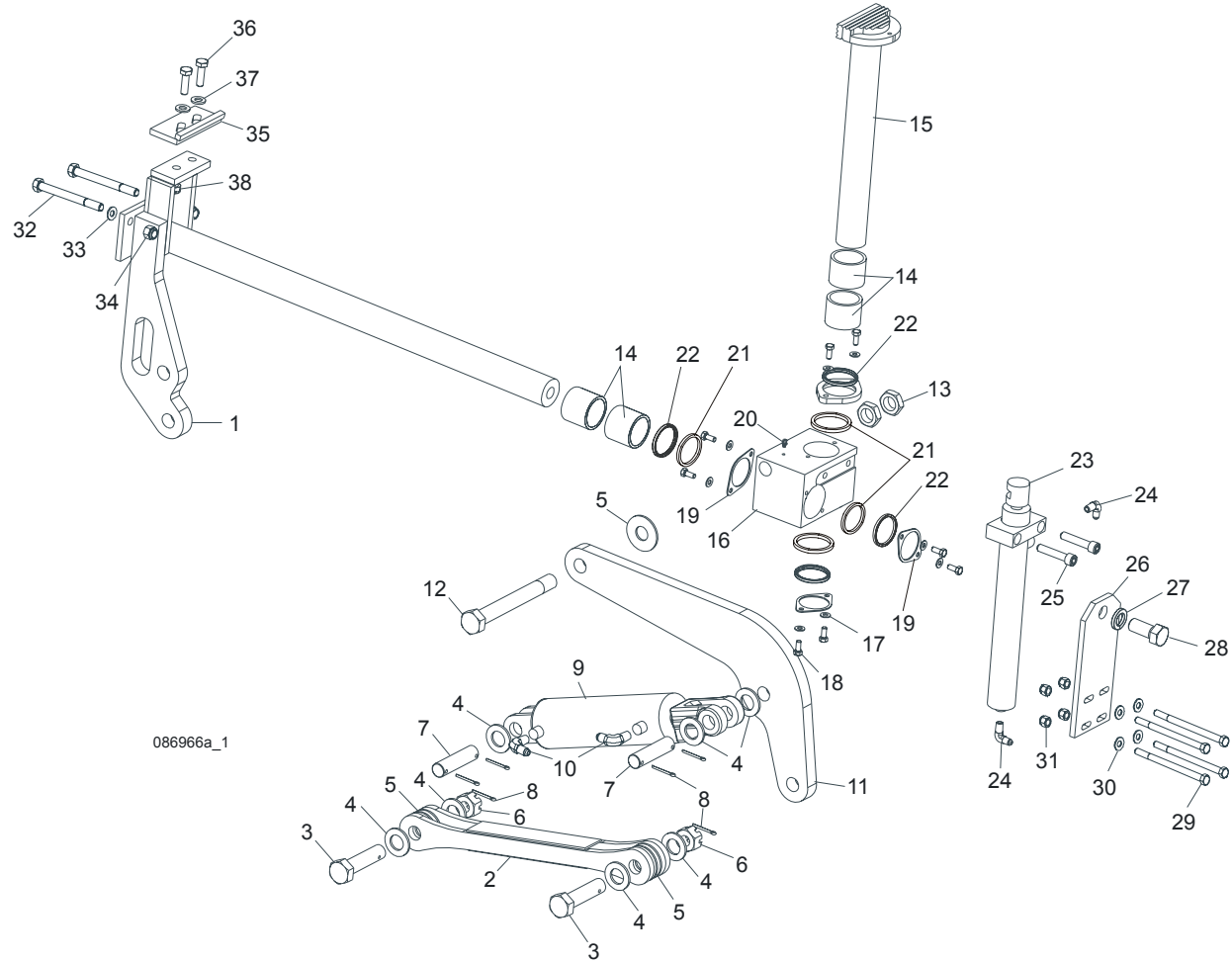


500079

| REF | DESCRIPTION (◆ Indicates Parts Available In Assemblies Only) | PART # | QTY. |
|-----|--|-----------|------|
| | CLAMP ASSEMBLY, HYDRAULIC | 089545 | 2 |
| 1 | Mount Weldment, Hydraulic Log Clamp | 088654-1 | 1 |
| 2 | Bolt, M10x125-8.8 Zinc Hex Head | F81003-18 | 2 |
| 3 | Bolt, M10x130-8.8 Zinc Mushroom Head Square Neck | F81003-36 | 4 |
| 4 | Washer, 10.5 Flat Zinc | F81055-1 | 6 |
| 5 | Nut, M10-8-B Hex Nylon Zinc Lock | F81033-1 | 6 |
| 6 | Block, Guide Pin | 089835-1 | 2 |
| 7 | Bolt, M10x35-8.8 Zinc Hex Head Full Thread | F81003-17 | 4 |
| 8 | Cylinder, CJ7F-16-40/22 + UE2-40W Hydraulic | 088662 | 1 |
| 9 | Bolt, M10x40-8.8 Zinc Hex Head | F81003-16 | 4 |

| | | | | |
|----|--|---------------|----|--|
| 10 | Washer, M10 Flat Zinc | F81055-1 | 6 | |
| 11 | Nut, M10-8-b Hex Nylon Zinc Lock | F81033-1 | 10 | |
| 12 | Bar, Clamp Up/Down | 089537-1 | 4 | |
| 13 | Plate, Connecting | 088645-1 | 1 | |
| 14 | Bolt, M10x140-8.8 Zinc Hex Head | F81003-5 | 2 | |
| 15 | Plate, Connecting | 089533-1 | 1 | |
| 16 | Bolt, M10x55-8.8 Zinc Hex Socket Head Cap | F81003-55 | 4 | |
| 17 | Washer, 10.2 Split Lock Zinc | F81055-2 | 4 | |
| 18 | Plate, Log Clamp Rear | 089538-1 | 3 | |
| 19 | Bolt, M10x35-8.8 Zinc Hex Head Full Thread | F81003-17 | 12 | |
| 20 | Washer, 10.2 Split Lock Zinc | F81055-2 | 12 | |
| 21 | Bracket, Guide Pin Mount | 089536-1 | 2 | |
| 22 | Bolt, M10x40-8.8 Zinc Hex Head Full Thread | F81003-16 | 8 | |
| 23 | Washer, 10.2 Split Lock Zinc | F81055-2 | 8 | |
| 24 | Pin, Clamp Up/Down Guide | 088631 | 2 | |
| 25 | Screw, M16x55-8.8 Zinc Hex Socket Head Cap | F81006-18 | 2 | |
| 26 | Washer, 16.3 Split Lock Zinc | F81058-2 | 2 | |
| 27 | Plug, M33 Thread | 089839 | 2 | |
| | Jaw, Log Clamp Left - Complete | 094700 | 1 | |
| 28 | Jaw, Log Clamp Left | 093464-1 | 1 | |
| 30 | Bearing, 6005 2RS CX | 089652 | 4 | |
| 31 | Shaft, Clamp Jaw Guide | 088620-1 | 4 | |
| 32 | Ring, Z24 Spring Retaining | 089654 | 4 | |
| 33 | Ring, W47 Spring Retaining | 089653 | 4 | |
| | Jaw, Log Clamp Right - Complete | 094701 | 1 | |
| 29 | Jaw, Log Clamp Right | 093465-1 | 1 | |
| 30 | Bearing, 6005 2RS CX | 089652 | 4 | |
| 31 | Shaft, Clamp Jaw Guide | 088620-1 | 4 | |
| 32 | Ring, Z24 Spring Retaining | 089654 | 4 | |
| 33 | Ring, W47 Spring Retaining | 089653 | 4 | |
| 34 | Washer, Clamp Jaw Spacer | 089542 | 4 | |
| 35 | Bar, Clamp In/Out Side | 088622-1 | 4 | |
| 36 | Cylinder, SJ2F-40/22/145 Hydraulic | 088661 | 1 | |
| 37 | Bar, Clamp In/Out Lower | 088623-1 | 1 | |
| 38 | Pin, 20X75 | 088657-1 | 4 | |
| 39 | Spacer, Lower | 089541 | 4 | |
| 40 | Pin, S-Zn 5x40 Cotter | F81043-31 | 10 | |
| 41 | Bracket, Vertical Cylinder Mount Upper | 089540-1 | 1 | |
| 42 | Pin, 25X75 | 088659-1 | 1 | |

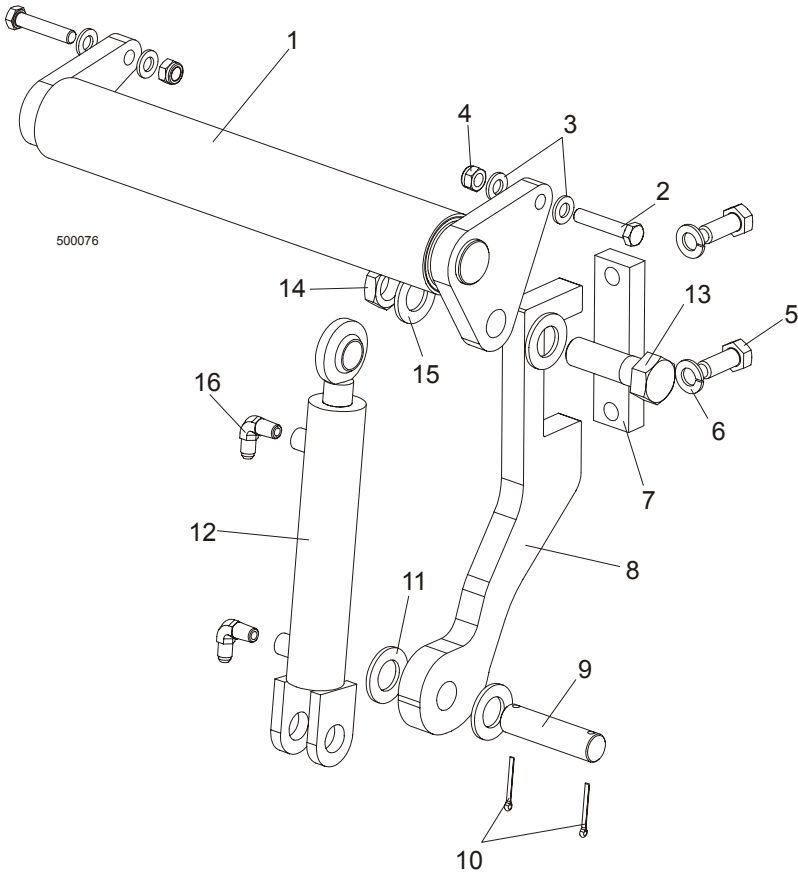
9.8 Hydraulic Log Clamp



| REF | DESCRIPTION (◆ Indicates Parts Available In Assemblies Only) | PART # | QTY. |
|-----|--|----------|------|
| | CLAMP ASSEMBLY, SUPER HYDRAULIC | 088658 | 1 |
| 1 | Mount Weldment, Super Clamp Tube | 086967-1 | 1 |
| 2 | Arm, Clamp Link | 086963-1 | 1 |
| 3 | Bolt, B 24x95/85 Hex Head Grade 8 | F81049-2 | 1 |
| 4 | Washer, 25 Flat | F81061-3 | 8 |
| 5 | Washer, 25X63 Hardened | 088585-1 | 5 |
| 6 | Nut, M20-8-B Slotted Hex | F81037-3 | 2 |
| 7 | Pin, Cylinder Mount | 086979-1 | 2 |
| 8 | Pin, 6,3x45 Cotter | F81045-2 | 6 |
| 9 | Cylinder, CJ-S96-16-70/32/178 Hydraulic | 088589 | 1 |
| 10 | Fitting, 1/4" NPT - 3/8" JIC Elbow | P09142 | 2 |
| 11 | Link Weldment, Super '99 Clamp | 086974-1 | 1 |
| 12 | Bolt, M24x217/39 -8.8-B Hex Head Grade 8 | 088586-1 | 1 |

| | | | | |
|----|---|-----------|---|--|
| 13 | Nut, M24 -04-B Hex Jam | F81039-3 | 2 | |
| 14 | Bushing, Clamp Slide 5040BS | 088660 | 2 | |
| 15 | Clamp Weldment, Vertical Super | 088582-1 | 1 | |
| 16 | Block, Vertical Clamp Mount | 088591-1 | 1 | |
| 17 | Washer, 8.4 Flat | F81054-1 | 8 | |
| 18 | Bolt, M8x20-8.8-B Hex Head | F81002-4 | 8 | |
| 19 | Spacer, Log Clamp | 088887-1 | 3 | |
| 20 | Fitting, 3/16" Grease | P04107 | 1 | |
| 21 | Spacer, Log Clamp | 089324 | 1 | |
| 22 | Wiper, Up/Down Rod ZZ 50x60x7 | 088587 | 1 | |
| 23 | Cylinder, C-J-S169-16-40/22/254 Hydraulic | 088590 | 1 | |
| 24 | Fitting, 1/4" NPT - 1/4" JIC Elbow | P09142 | 2 | |
| 25 | Screw, M12x55 -8.8-B Socket Head | F81004-23 | 2 | |
| 26 | Plate, Super Log Clamp Mount | 086975-1 | 1 | |
| 27 | Washer, Z 22,5 Split Lock | F81059-4 | 1 | |
| 28 | Bolt, M22x1,5x40 -8.8-B Hex Head Grade 5 | F81009-1 | 1 | |
| 29 | Bolt, M10 x 125-8.8 Hex Head | F81003-18 | 4 | |
| 30 | Washer, 10.5 Flat | F81055-1 | 4 | |
| 31 | Nut, M10-8-B Hex Nylon Lock | F81033-1 | 4 | |
| 32 | Bolt, M10 x 140-8.8 Hex Head | F81004-37 | 2 | |
| 33 | Washer, 13 Flat | F81056-1 | 2 | |
| 34 | Nut, M12-8 Hex Nylon Lock | F81034-1 | 2 | |
| | CLAMP STOP KIT, HYDRAULIC LOG | K09485 | 1 | |
| 35 | Plate, Clamp Stop | 086980-1 | 1 | |
| 36 | Bolt, M12 x 40-8.8 Hex Head | F81004-4 | 2 | |
| 37 | Washer, 13 Flat | F81056-1 | 2 | |
| 38 | Nut, M12-8 Hex Nylon Lock | F81034-2 | 2 | |

9.9 Hydraulic Toe Board, Middle

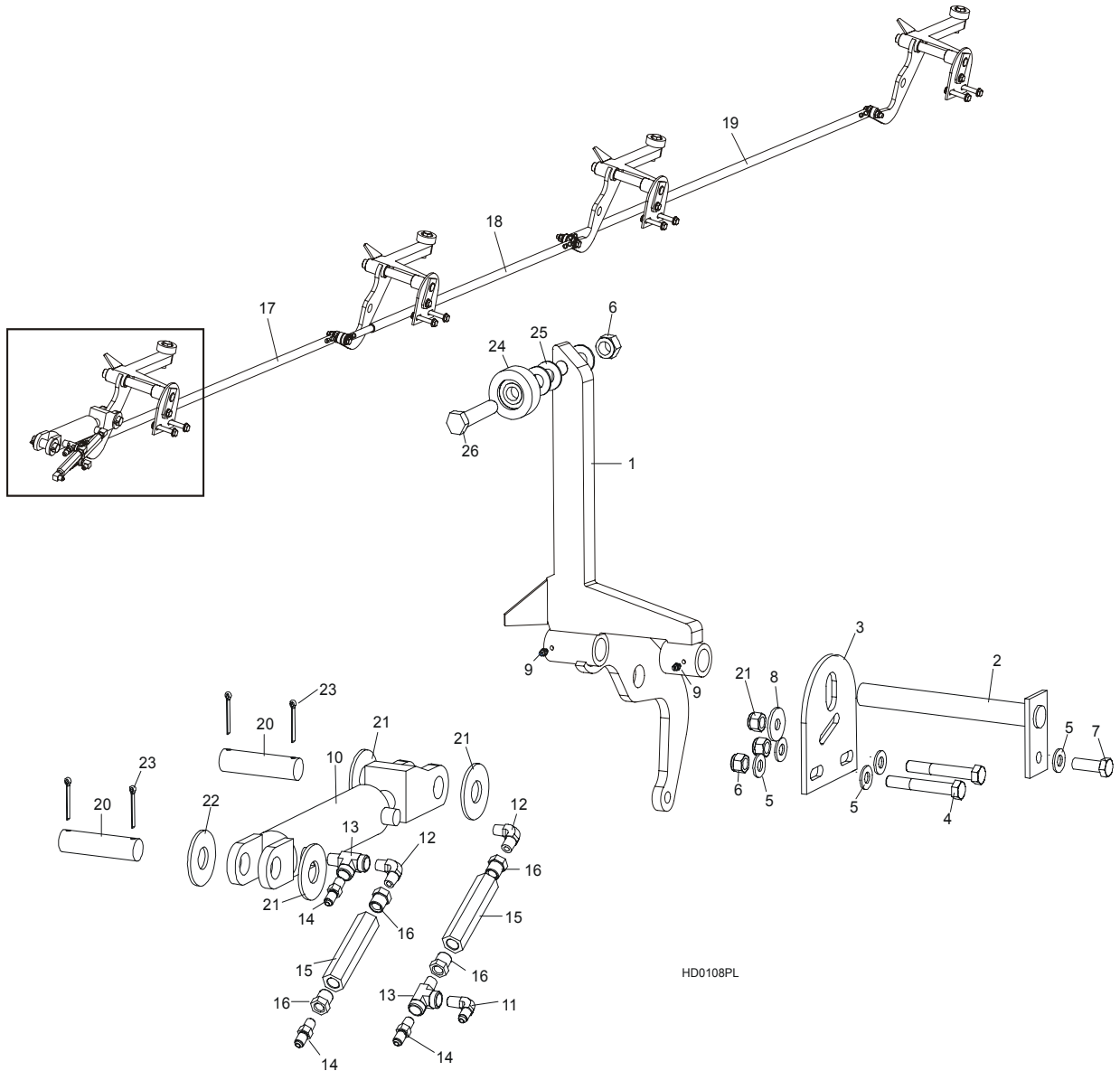


| REF | DESCRIPTION (◆ Indicates Parts Available In Assemblies Only) | PART # | QTY. |
|-----|--|------------|------|
| | HYDRAULIC TOE BOARD ASSEMBLY, MIDDLE | 090055 | |
| 1 | Toe Board Weldment, Hydraulic | 086253-1 | 1 |
| 2 | Bolt, M12x60-8.8 Zinc Hex Head | F81004-5 | 1 |
| 3 | Washer, 13 Zinc Flat | F81056-1 | 4 |
| 4 | Pin, S-Zn 2.5x20 Cotter | F81043-1 | 2 |
| 5 | Bolt, M16X40-8.8 Zinc Hex Head Full Thread | F81006-13 | 2 |
| 6 | Washer, 16.3 Zinc Split Lock | F81058-2 | 2 |
| 7 | Plate, Hydraulic Toe Board Mount | 090086-1 | 1 |
| 8 | Bracket, Hydraulic Toe Board Mount | 089990-1 | 1 |
| 9 | Pin, Hydraulic Cylinder Mount Zinc | 086979-1 | 1 |
| 10 | Pin, S-Zn 3/16 X 1 1/2" Cotter | F05012-23 | 2 |
| 11 | Washer, 28 Zinc Flat | F81061-1 | 2 |
| 12 | Cylinder, CJ-S170-16-40/25/152 Hydraulic | 088681 | 1 |
| | Seal Kit, 1 1/2" x 6" Hydraulic Cylinder | 014547 | 1 |
| 13 | Bolt, 1-8 X 3 1/4 HH Hex Head Grade 5 | F05009-51 | 1 |
| 14 | Nut, 1"-14 | F05010-117 | 1 |

9**HYDRAULIC SYSTEM***Hydraulic Toe Board, Middle*

| | | | | |
|-----------|-------------------------|----------|---|--|
| 15 | Washer, 28 Zinc Flat | F81061-1 | 1 | |
| 16 | Fitting, C5205x4x4 Male | P09143 | 2 | |

9.10 Hydraulic Log Side Supports (L Type Frame)



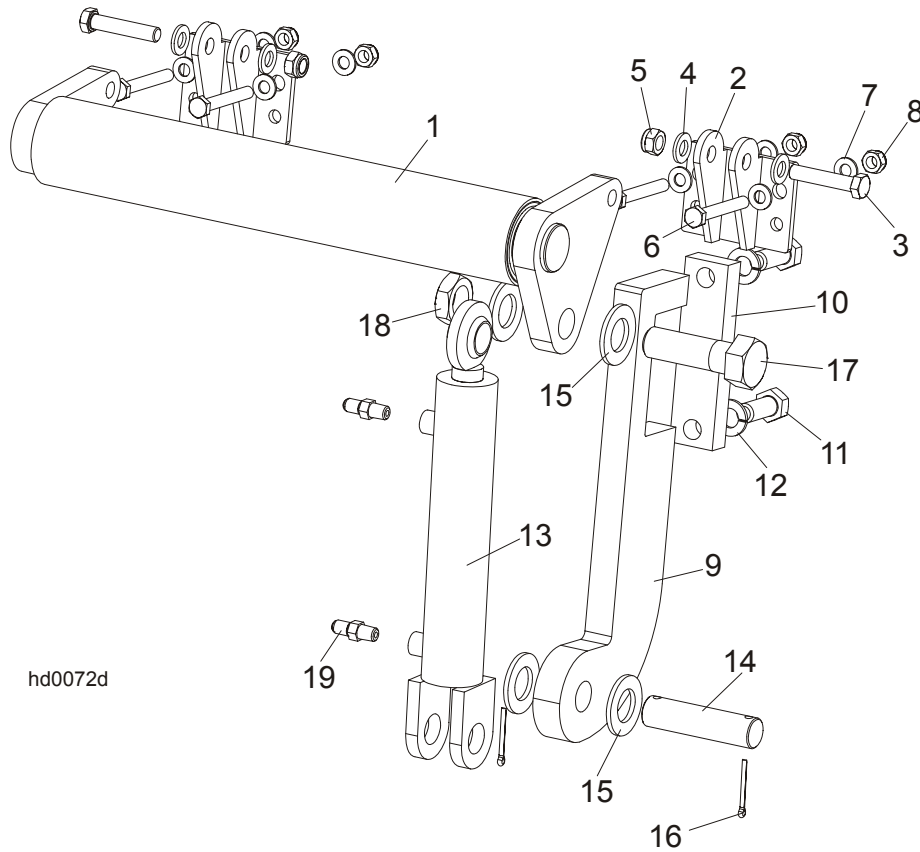
| REF | DESCRIPTION (◆ Indicates Parts Available In Assemblies Only) | PART # | QTY. |
|-----|--|-----------|------|
| | HYDRAULIC LOG SIDE SUPPORTS (L TYPE FRAME) | 093746 | 1 |
| 1 | SUPPORT, HYDRAULIC LOG SIDE | 091653-1 | 4 |
| 2 | PIN, LOG SIDE SUPPORT PIVOT | 091549-1 | 4 |
| 3 | PLATE, LOG SIDE SUPPORT END | 091591-1 | 4 |
| 4 | BOLT, M12X75-8.8 HEX HEAD ZINC | F81004-21 | 8 |
| 5 | WASHER, 13 FLAT ZINC | F81056-1 | 20 |

9

HYDRAULIC SYSTEM*Hydraulic Log Side Supports (L Type Frame)*

| | | | | |
|----|---|------------|----|--|
| 6 | NUT, M12-8 HEX NYLON ZINC LOCK | F81034-2 | 12 | |
| 7 | BOLT, M12 X 35-8.8 HEX HEAD FULL THREAD ZINC | F81004-24 | 4 | |
| 8 | WASHER, 15 SPECIAL FLAT ZINC | F81057-3 | 4 | |
| 9 | FITTING, 3/16" GREASE | P04107 | 8 | |
| | CYLINDER ASSY, 2x6 SIDE SUPPORT SUPER | 015561 | 1 | |
| 10 | Cylinder, CJ-S270-16-50/28/152 Hydraulic | 088678 | 1 | |
| | Seal Kit, 6" x 2" Hydraulic Cylinder | P12954 | 1 | |
| 11 | Fitting, 3/8JIC-1/4NPT 90L | 015491 | 2 | |
| 12 | Fitting, C3529x4 90° Pipe | P09140 | 4 | |
| 13 | Fitting, C3759x4 Male 'T' | P09141 | 2 | |
| 14 | Fitting, 3/8JIC-1/4NPT Str | 015560 | 2 | |
| 15 | Valve, Hydraulic Sequence | 015484 | 2 | |
| 16 | Fitting, 3/8" NPT - 1/4" NPT Reducer | 015490 | 4 | |
| 17 | ROD, HYDRAULIC SIDE SUPPORT LINK L-1675 COMPLETE | 089842 | 1 | |
| 18 | ROD, HYDRAULIC SIDE SUPPORT LINK L-1480 COMPLETE | 089376 | 1 | |
| 19 | ROD, HYDRAULIC SIDE SUPPORT LINK L-1960 COMPLETE | 089377 | 1 | |
| 20 | PIN, CYLINDER MOUNT | 086979-1 | 2 | |
| 21 | WASHER, 28 FLAT ZINC | F81061-1 | 3 | |
| 22 | WASHER, 26 FLAT ZINC DIN 1440 | F81054-8 | 1 | |
| 23 | PIN, 5 X 40 COTTER | F81043-31 | 4 | |
| | ROLLER KIT, SIDE SUPPORT | 015109 | 4 | |
| 24 | ROLLER ASSEMBLY, SIDE SUPPORT | 015014-1 | 4 | |
| 25 | WASHER, 17 FLAT ZINC | F81058-1 | 12 | |
| 26 | BOLT, M16x65MM, HH F/THRD, GRADE 5.8, ZINC | F81006-1 | 4 | |
| | Instruction Sheet, Side Support Roller | 015109-526 | 1 | |

9.11 Hydraulic Toe Board



hd0072d

| REF | DESCRIPTION (◆ Indicates Parts Available In Assemblies Only) | PART # | QTY. |
|-----|--|-----------|------|
| | HYDRAULIC TOE BOARD - REAR | 092634 | 1 |
| 1 | Toe Board Weldment, Hydraulic - Rear | 086253-1 | 1 |
| 2 | Bracket, Hydraulic Toe Board | 087903-1 | 2 |
| 3 | Bolt, M12x60mm Hex Head Zinc Grade 8.8 | F81004-5 | 4 |
| 4 | Washer, M12 Flat Zinc | F81056-1 | 8 |
| 5 | Nut, M12 Hex Nylon Zinc Lock | F81034-2 | 4 |
| 6 | Bolt, M10x75-8.8 Hex Head Zinc | F81003-15 | 8 |
| 7 | Washer, M10 Flat Zinc | F81055-1 | 16 |
| 8 | Nut, M10 Hex Nylon Zinc Lock | F81033-1 | 8 |
| 9 | Bracket, Hydraulic Toeboard Mount | 087729-1 | 2 |
| 10 | Plate, Hydraulic Toeboard Mount | 090086-1 | 2 |
| 11 | Bolt, M16x40mm Hex Head Full Thread Zinc Grade 5.8 | F81006-13 | 4 |
| 12 | Washer, 16.3 Split Lock Zinc | F81058-2 | 4 |
| 13 | Cylinder, CJ-S170-16-40/25/152 Hydraulic | 088681 | 2 |
| 14 | Pin, Cylinder Mount | 086979-1 | 2 |
| 15 | Washer, 28 Flat Zinc | F81061-1 | 8 |

9**HYDRAULIC SYSTEM***Hydraulic Toe Board*

| | | | | |
|-----------|----------------------------------|------------|---|--|
| 16 | Pin, 3/16x1.5 Cotter Zinc | F05012-23 | 4 | |
| 17 | Bolt, 1-8x3 1/4 Hex Head Grade 5 | F05009-51 | 2 | |
| 18 | Nut, 1-14 Hex Jam Unplated | F05010-117 | 2 | |
| 19 | Fitting, 1/4NPTx1/4JIC Male | P09143 | 4 | |