

Wood-Mizer[®] Sawmill

Parts Manual

LT80AHD

rev. A2.04



Safety is our #1 concern! Read and understand all safety information and instructions before operating, setting up or maintaining this machine.

May 2002

Form #1046

Table of Contents

Section-Page

SECTION 1	GENERAL INFORMATION	1-1
1.1	How To Use The Parts List	1-1
1.2	Sample Assembly	1-1
SECTION 2	BLADE GUIDE ROLLERS & ARM	2-1
2.1	Blade Guide Assembly, Idle Side (Standard).....	2-1
2.2	Blade Guide Assembly, Idle Side (Optional)	2-3
2.3	Blade Guide Assembly, Drive Side (Standard).....	2-5
2.4	Blade Guide Assembly, Drive Side (Optional)	2-7
2.5	Blade Guide Arm Drive Assembly.....	2-9
SECTION 3	BLADE WHEELS & TENSIONER	3-1
3.1	Blade Drive Assembly.....	3-1
3.2	Idle Blade Wheel Assembly	3-3
3.3	Blade Tensioner Assembly	3-5
3.4	Sawdust Flow Guide.....	3-7
SECTION 4	SAW HEAD	4-1
4.1	Middle Throat Screw	4-1
4.2	Drive Belt Tensioner	4-2
4.3	Board Return Assembly	4-3
4.4	Water Lube Assembly	4-4
4.5	Saw Head Decals	4-5
4.6	Blade Housing Covers	4-6
4.7	Sawdust Chute	4-8
SECTION 5	CONTROL BOXES	5-1
5.1	Control Assembly, LT60AHD/LT70AHD/LT80AHD	5-1
5.2	Drum Switches	5-3
5.3	Circuit Breakers.....	5-4
5.4	Front Panel Assembly & Harnesses	5-5
SECTION 6	UP/DOWN SYSTEM	6-1
6.1	Up/Down Rollers & Covers	6-1
6.2	Blade Height Scale	6-3
6.3	Up/Down Chain & Sprockets.....	6-5
6.4	Up/Down Drive Assembly	6-7
SECTION 7	FEED SYSTEM & TRACK ROLLERS	7-1
7.1	Upper Track Rollers And Wipers.....	7-1
7.2	Power Feed Assembly	7-3
7.3	Feed Chain/Stop	7-4
7.4	Lower Track Rollers.....	7-6

Table of Contents

Section-Page

SECTION 8 BED FRAME ASSEMBLY

8-1

8.1	Bed Rail Assembly, Front and Rear	8-1
8.2	Leg, Stationary	8-3
8.3	Pivot Bed Rail Assembly.....	8-5
8.4	Log Side Support Assembly	8-7
8.5	Tie Down Chain Assembly	8-9
8.6	Saw Head Rest Pin Assembly	8-10
8.7	Bed Frame Decals.....	8-11

SECTION 9 HYDRAULIC SYSTEM

9-1

9.1	Hydraulic hoses, LT50 / LT80HD	9-1
9.2	Hydraulic Box, LT50AHD / LT80AHD (AC).....	9-2
9.3	Hydraulic Control Box	9-4
9.4	Hydraulic Power Supply Strip.....	9-6
9.5	Hydraulic Log Loader	9-8
9.6	Hydraulic Log Turner.....	9-9
9.7	Hydraulic Log Clamp,Front and Rear	9-11
9.8	Hydraulic Log Side Support.....	9-13
9.9	Hydraulic Log Clamp.....	9-15
9.10	Hydraulic Toe Board, Front and Rear	9-17
9.11	Hydraulic Toe Board, Middle.....	9-19

SECTION 1 GENERAL INFORMATION

1.1 How To Use The Parts List

- Use the index above to locate the assembly that contains the part you need.
- Go to the appropriate section and locate the part in the illustration.
- Use the number pointing to the part to locate the correct part number and description in the table.
- Parts shown indented under another part are included with that part.
- Parts marked with a diamond (◆) are only available in the assembly listed above the part.

See the sample table below. Sample Part #A01111 includes part F02222-2 and subassembly A03333. Subassembly A03333 includes part S04444-4 and subassembly K05555. The diamond (◆) indicates that S04444-4 is not available except in subassembly A03333. Subassembly K05555 includes parts M06666 and F07777-77. The diamond (◆) indicates M06666 is not available except in subassembly K05555.

1.2 Sample Assembly				
REF	DESCRIPTION (◆ Indicates Parts Available In Assemblies Only)	PART #	QTY.	
	Sample Assembly, Complete (Includes All Indented Parts Below)	A01111	1	
1	Sample Part	F02222-22	1	
	Sample Subassembly (Includes All Indented Parts Below)	A03333	1	
2	Sample Part (◆ Indicates Part Is Only Available With A03333)	S04444-4	1	◆
	Sample Subassembly (Includes All Indented Parts Below)	K05555	1	
3	Sample Part (◆ Indicates Part Is Only Available With K05555)	M06666	2	◆
4	Sample Part	F07777-77	1	

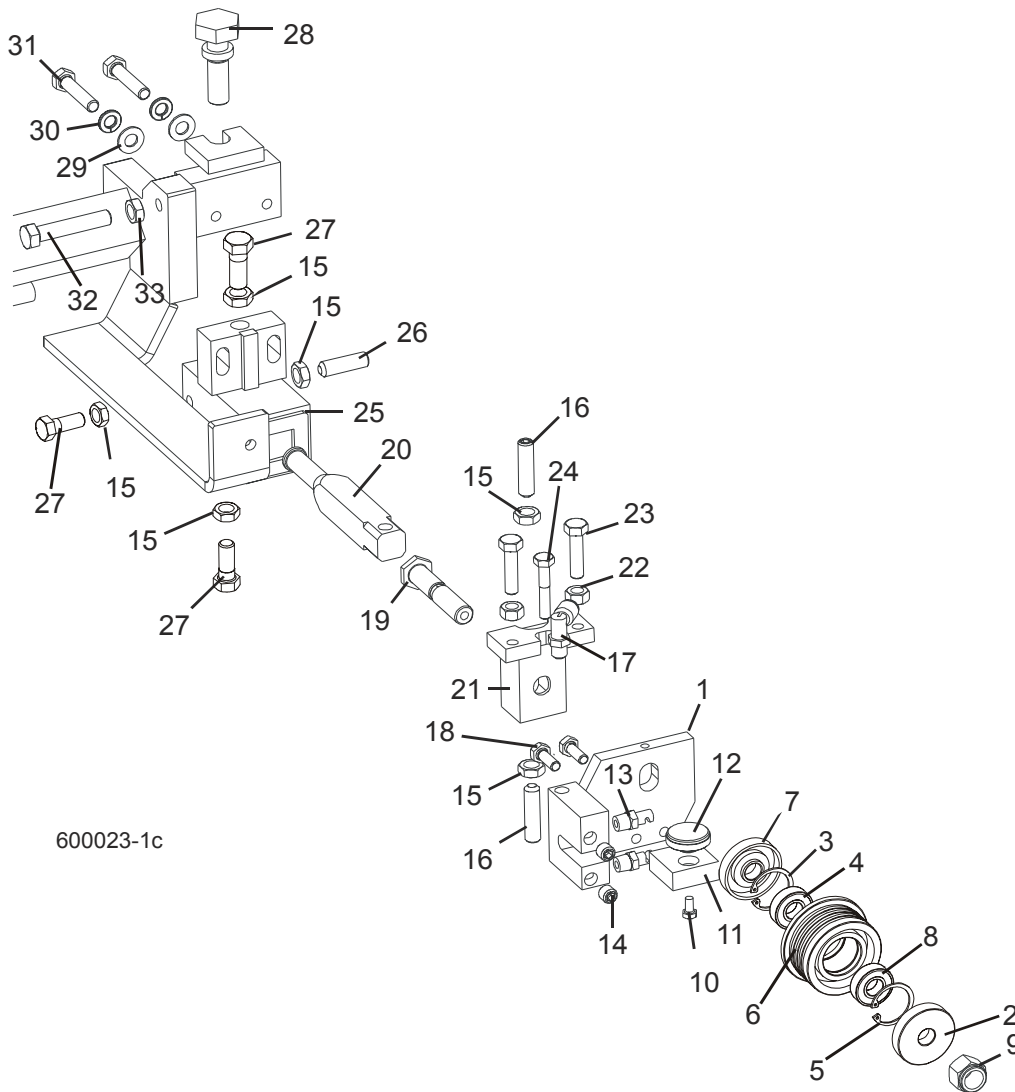
To Order Parts:

- From Europe call our European Headquarters and Manufacturing Facility in Kolo, Poland at **+48-63-2626000**. From the continental U.S., call our toll-free Parts hotline at **1-800-448-7881**. Have your customer number, vehicle identification number, and part numbers ready when you call.
- From other international locations, contact the Wood-Mizer distributor in your area for parts.

2 Blade Guide Rollers & Arm
Blade Guide Assembly, Idle Side (Standard)

SECTION 2 BLADE GUIDE ROLLERS & ARM

2.1 Blade Guide Assembly, Idle Side (Standard)



600023-1c

REF	DESCRIPTION (◆ Indicates Parts Available In Assemblies Only)	PART #	QTY.
	ROLLER/BLOCK ASSEMBLY, IDLE SIDE (OUTER)	017807-0	1
1	Nozzle Block Weldment, Idle Side	035404	1
	Blade Guide Roller with Bearings	088261	1
2	Spacer, Blade Guide Roller, zink	087891-1	1
3	Ring, inside retaining SPR.W28	F81090-9	1
4	Bearing, R8-2RS Blade Guide	087893	1
5	Ring, inside retaining SPR.W28	F81090-9	1

Blade Guide Rollers & Arm

Blade Guide Assembly, Idle Side (Standard)

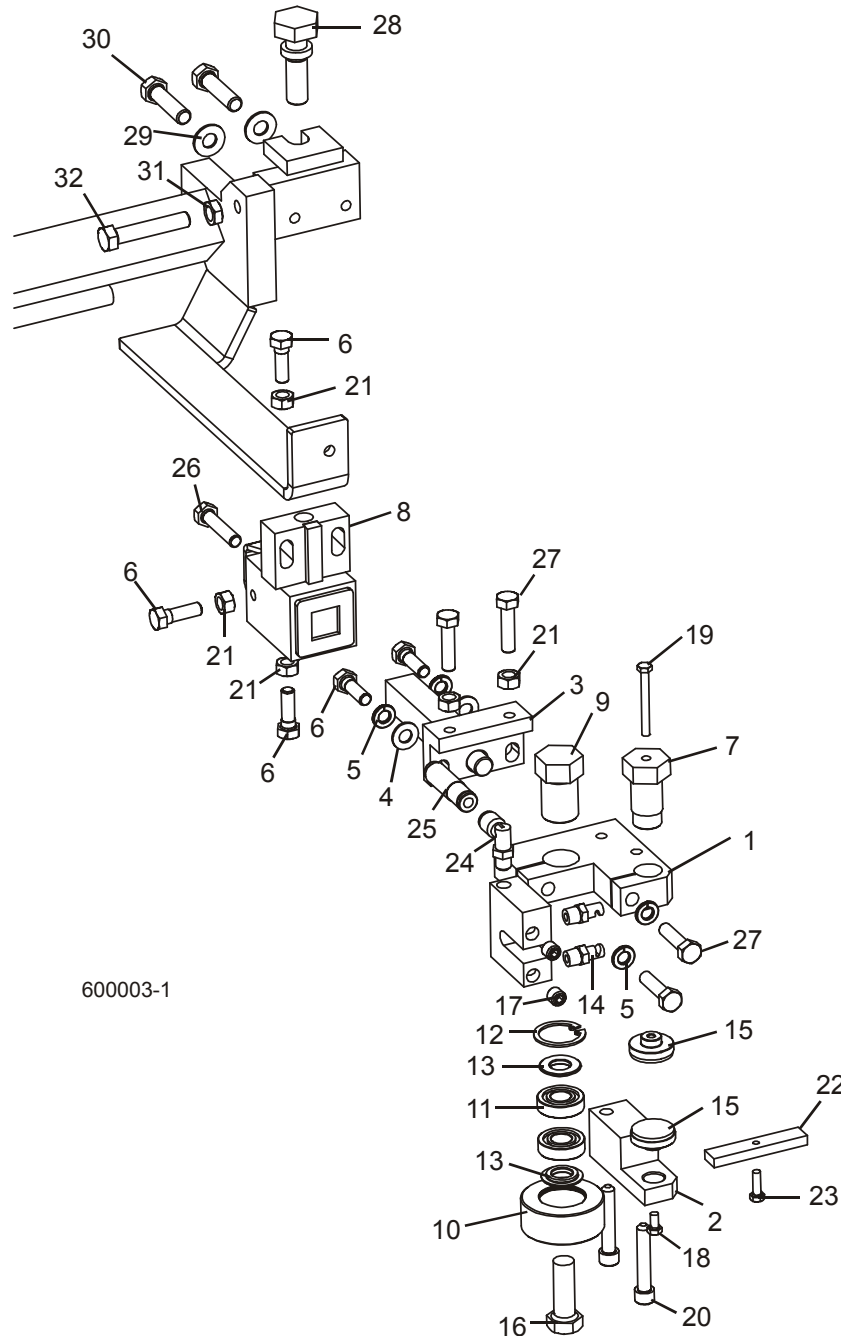
2

6	Roller, 1 1/4" Flanged Blade Guide with Bearings	088261	1	
7	Spacer, Blade Guide Roller, zink	087891-1	1	
8	Bearing, R8-2RS Blade Guide	087893	1	
9	Nut, 1/2-20 Nylon Hex Lock	F05010-15	1	
10	Bolt, #10-32 x 3/8" Unslotted Hex Head Stainless Steel	F05004-171	1	
11	Block, Wear Disc Holder	035235	1	
12	Disc Assembly, 1 1/4" Blade Guide Wear	035222	1	
13	Nozzle, Blade Lube Spray	033479	2	
14	Fitting, 1/8" NPT Socket Pipe Plug	P30127		
15	Nut, 3/8-24 UNC Hex Jam	F05010-22		
16	Screw, 3/8-24 x 1 1/2" Socket Head Cup Point Stainless Steel	F05007-162	2	
17	Fitting, 1/8" MPT x 1/4" Tube 90° Elbow Swivel	P09736	1	
18	Bolt, 1/4-20 x 3/4" Hex Head Grade 5	F05005-123	2	
19	Bolt, Blade Guide Roller	090953-1	1	
20	Shaft, Blade Guide Mount	044047	1	
21	Block, Roller Guide Adjuster	035408	1	
22	Nut, 5/16-24 Hex	F05010-28	2	
23	Bolt, 5/16-24 x 1 1/4" Hex Head Full Thread Grade 5	F05006-107	2	
24	Bolt, 1/4-28 x 1 1/2" Hex Head Grade 5	F05005-143	1	
25	Block Weldment, Guide Mounting 60/70	044044	1	
26	Screw, 3/8-24 x 1" Socket Head Flat Point Stainless Steel Set	F05007-184	1	
27	Bolt, 3/8-24 x 1" Hex Head Stainless Steel	F05007-99	3	
	SHIM, .008" CERAMIC INSERT SPACER	035248	1	
28	BOLT, BLADE GUIDE VERTICAL ADJUSTMENT	035656	1	
29	WASHER, 5/16" SAE FLAT	F05011-17	2	
30	WASHER, 5/16" SPLIT LOCK	F05011-13	2	
31	BOLT, 5/16-18 X 1 1/2" FULL THREAD HEX HEAD GRADE 5	F05006-76	2	
32	BOLT, 3/8-16X2 HH FT	F05007-16	1	
33	NUT, 3/8-16 JAM	F05010-29	1	

2 Blade Guide Rollers & Arm

Blade Guide Assembly, Idle Side (Optional)

2.2 Blade Guide Assembly, Idle Side (Optional)



Blade Guide Rollers & Arm

Blade Guide Assembly, Idle Side (Optional)

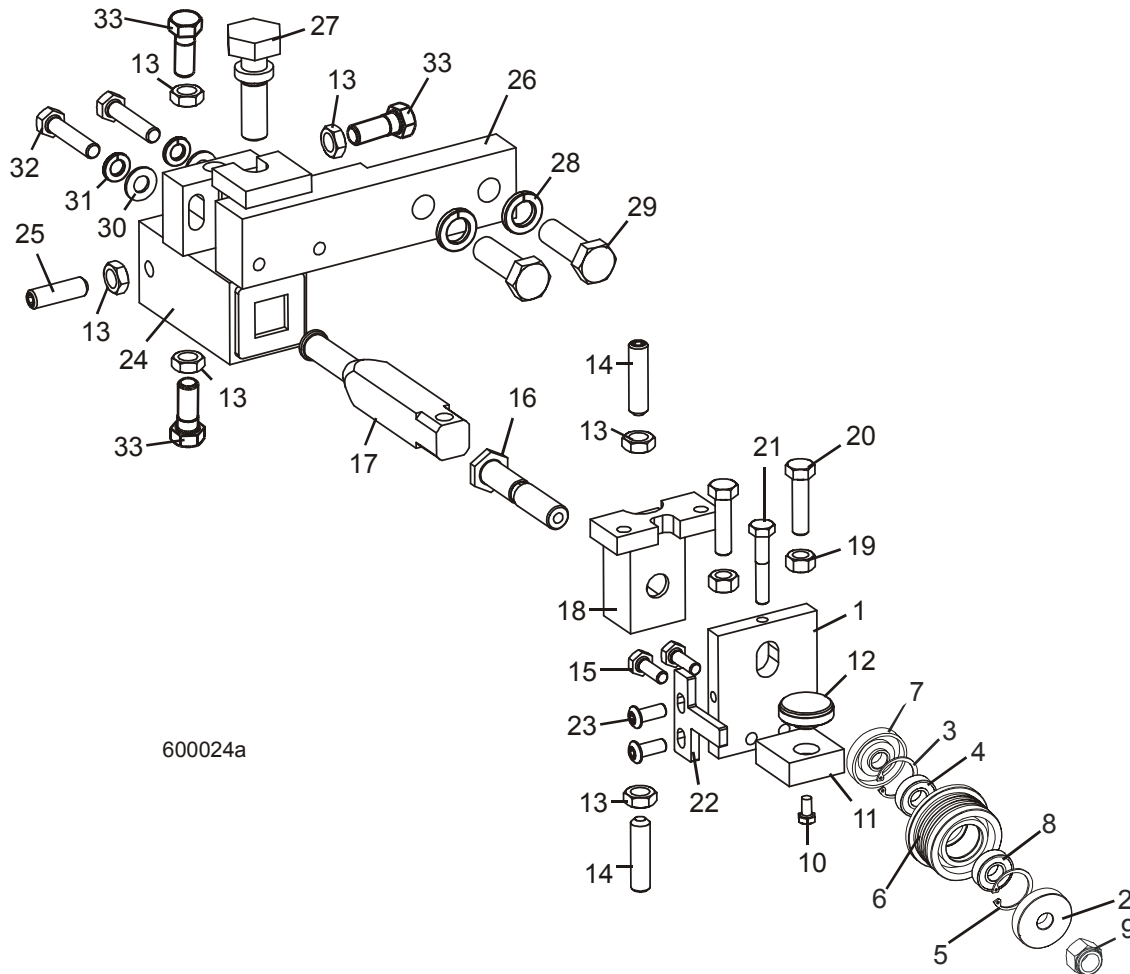
2

REF	DESCRIPTION (◆ Indicates Parts Available In Assemblies Only)	PART #	QTY.	
	GUIDE ASSEMBLY, IDLE SIDE BLOCK BLADE	035200	1	
1	Block Weldment, Blade Guide Idle Side Mount	035206	1	
2	Block, Lower Blade Guide Mount	035213	1	
3	Pivot Weldment, Blade Guide	035209	1	
4	Washer, 5/16" SAE Flat	F05011-17	2	
5	Washer, 5/16" Split Lock	F05011-13	4	
6	Bolt, 5/16-18 x 1" Hex Head	F05006-88	5	
7	Bolt, Blade Guide Insert Mount	035216	1	
8	Block Weldment, Blade Guide Mount	035219	1	
9	Bolt, Blade Guide Roller Mount	035215	1	
	Roller Assembly, Blade Guide	023977	1	
10	Housing, Blade Guide Roller	017223	1	
11	Bearing, R8-2RS Blade Guide	015975	2	
12	Ring, 1 1/8" IR 3000x112 Retaining	F04254-1	1	
13	Spacer, Blade Guide Roller	018948	2	
14	Fitting, Blade Lube Spray Nozzle	033479	2	
15	Insert Assembly, 1 1/4" Blade Guide	035222	2	
16	Bolt, 1/2-13 x 1 1/2" Hex Head	F05008-4	1	
17	Fitting, 1/8" NPT Socket Pipe Plug	P30127	2	
18	Bolt, #10-32 x 3/8" Hex Head	F05004-171	1	
19	Bolt, #10-32 x 1 3/4" Hex Head	F05004-178	1	
20	Bolt, 5/16-18 x 1 3/4" Socket Head	F05006-65	2	
21	Nut, 5/16-18 Hex	F05010-17	6	
22	Block, Blade Guide Alignment	035799	1	
23	Screw, #10-32 x 5/8 Hex Head Machine	F05004-152	1	
24	Fitting, 1/8" MPT x 1/4" Tube Swivel Elbow	P09736	1	
25	Bolt, 5/16-18 x 1 1/2" Full Thread Hex Head	F05006-119	1	
26	Bolt, 5/16-18 x 1 1/4" Hex Head	F05006-118	4	
27	BOLT, BLADE GUIDE VERTICAL ADJUSTMENT	035656	1	
28	WASHER, 5/16" SAE FLAT	F05011-17	2	
29	WASHER, 5/16" SPLIT LOCK	F05011-13	2	
30	BOLT, 5/16-18 X 1 1/2" FULL THREAD HEX HEAD GRADE 5	F05006-76	2	
31	NUT, 3/8-16 HEX JAM	F05010-29	1	
32	BOLT, 3/8-16 X 2" FULL THREAD HEX HEAD	F05007-16	1	

2 Blade Guide Rollers & Arm

Blade Guide Assembly, Drive Side (Standard)

2.3 Blade Guide Assembly, Drive Side (Standard)



REF	DESCRIPTION (◆ Indicates Parts Available In Assemblies Only)	PART #	QTY.
	ROLLER/BLOCK ASSEMBLY, DRIVE SIDE (INNER)	044046	1
1	Plate, Blade Guide Back Mounting	035409	1
	Blade Guide Roller with Bearings	088261	1
2	Spacer, Blade Guide Roller, zink	087891-1	1
3	Ring, inside retaining SPR.W28	F81090-9	1
4	Bearing, R8-2RS Blade Guide	087893	1
5	Washer, Bearing Spacer	F81090-9	1
6	Roller, 1 1/4" Flanged Blade Guide with Bearings	088261	1
7	Spacer, Blade Guide Roller, zink	087891-1	1
8	Bearing, R8-2RS Blade Guide	087893	1
9	Nut, 1/2-20 Nylon Hex Lock	F05010-15	1
10	Bolt, #10-32 x 3/8" Unslotted Hex Head Stainless Steel	F05004-171	1
11	Block, Wear Disc Holder	035235	1

Blade Guide Rollers & Arm

Blade Guide Assembly, Drive Side (Standard)

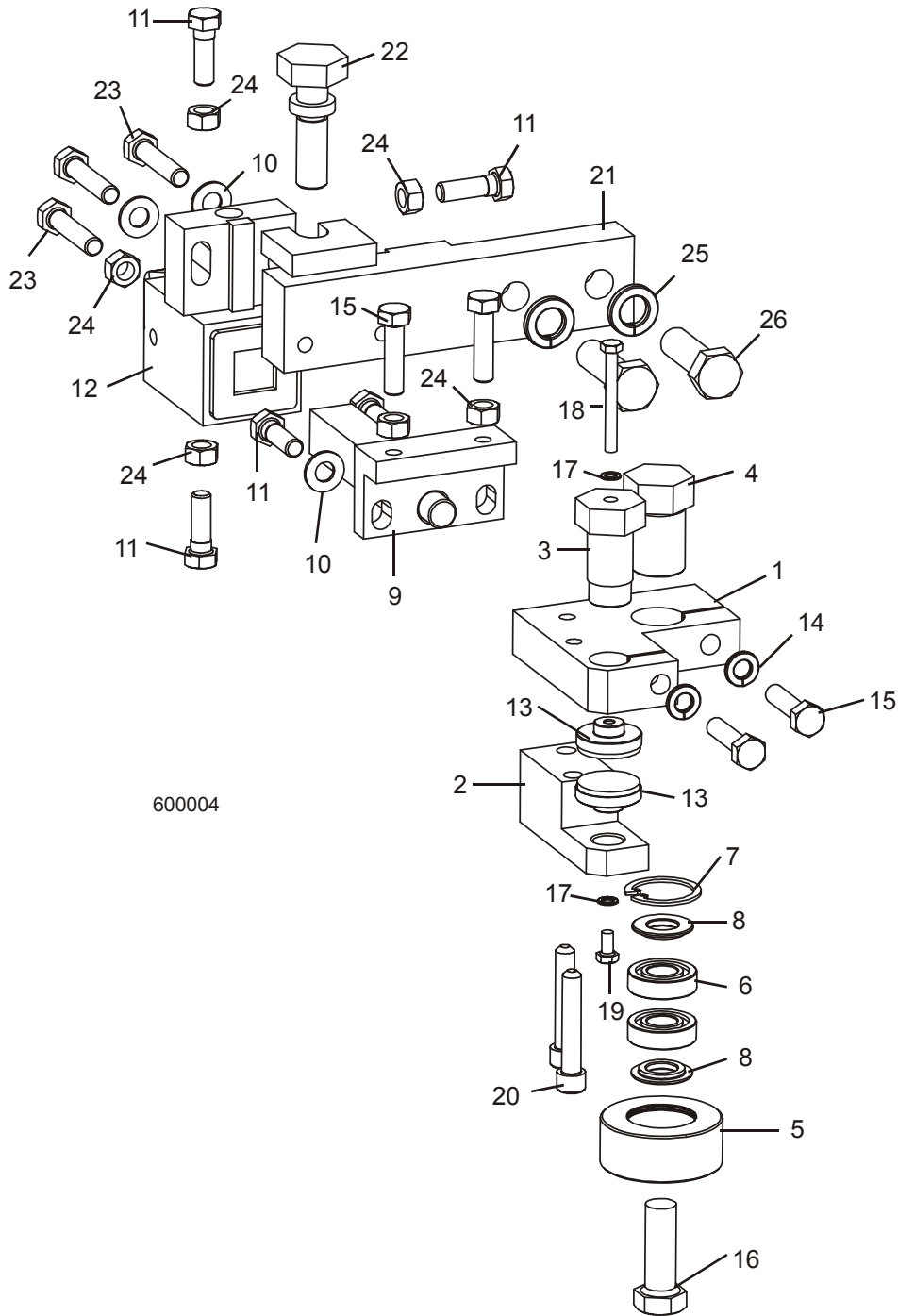
2

12	Disc Assembly, 1" Blade Guide Wear	035222	1	
13	Nut, 3/8-24 UNC Hex Jam	F05010-22		
14	Screw, 3/8-24 x 1 1/2" Socket Head Cup Point Stainless Steel	F05007-162	2	
15	Bolt, 1/4-20 x 3/4" Hex Head Grade 5	F05005-123	2	
16	Bolt, Blade Guide Roller	090953-1	1	
17	Shaft, Blade Guide Mount	044047	1	
18	Block Weldment, Roller Guide Adjuster	035408	1	
19	Nut, 5/16-24 Hex	F05010-28	2	
20	Bolt, 5/16-24 x 1 1/4" Hex Head Full Thread Stainless	F05006-107	2	
21	Bolt, 1/4-28 x 1 1/2" Hex Head Stainless	F05005-143	1	
22	Guard, Drive Roller	035490	1	
23	Screw, 1/4-20 x 55/8" Button Head Socket Cap Grade 2	F05005-128	2	
24	Block Weldment, Blade Guide Mount	044044	1	
25	Screw, 3/8-24 x 1" Socket Head Flat Point Stainless Steel Set	F05007-184	1	
	SHIM, .008" CERAMIC INSERT SPACER	035248	1	
26	ARM WELDMENT, DRIVE SIDE BLADE GUIDE	034292	1	
27	BOLT, BLADE GUIDE VERTICAL ADJUSTMENT	035656	1	
28	WASHER, 1/2" SPLIT LOCK	F05011-9	2	
29	BOLT, 1/2-13 X 1 1/2" HEX HEAD GRADE 5	F05008-33	2	
30	WASHER, 5/16" SAE FLAT	F05011-17	2	
31	WASHER, 5/16" SPLIT LOCK	F05011-13	2	
32	BOLT, 5/16-18 X 1 1/2" HEX HEAD FULL THREAD GRADE 5	F05006-76	2	
33	BOLT, 3/8-24X1 HH SS	F05007-99	3	

2 Blade Guide Rollers & Arm

Blade Guide Assembly, Drive Side (Optional)

2.4 Blade Guide Assembly, Drive Side (Optional)



Blade Guide Rollers & Arm

Blade Guide Assembly, Drive Side (Optional)

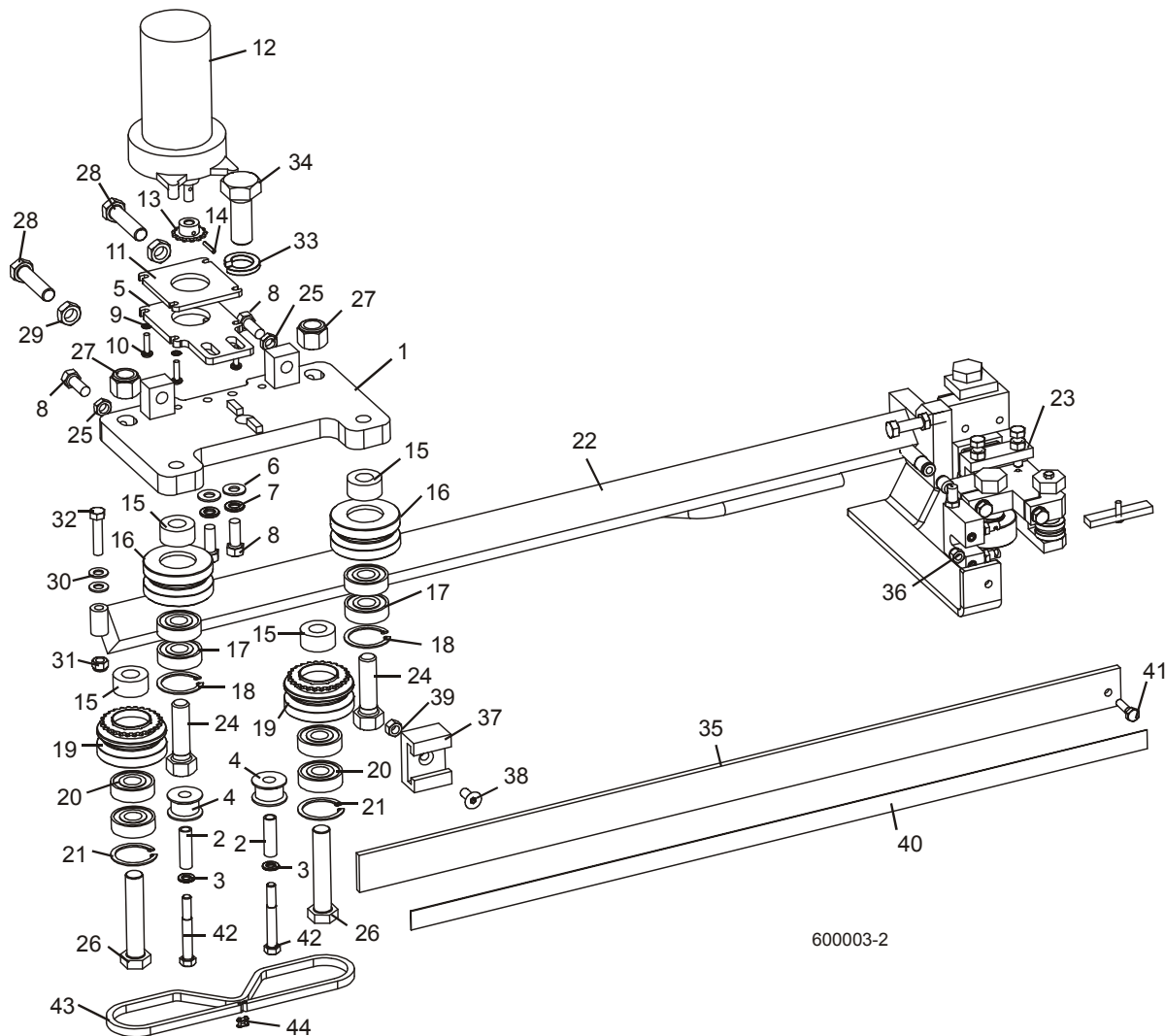
2

REF	DESCRIPTION (◆ Indicates Parts Available In Assemblies Only)	PART #	QTY.	
	GUIDE ASSEMBLY, DRIVE SIDE BLADE GUIDE	034291	1	
1	Block, Drive Side Blade Guide Mount	035207	1	
2	Block, Lower Blade Guide Mount	035214	1	
3	Bolt, Blade Guide Insert Mount	035216	1	
4	Bolt, Blade Guide Roller Mount	035215	1	
	Roller Assembly, Blade Guide	023977	1	
5	Housing, Blade Guide Roller	017223	1	◆
6	Bearing, R8-2RS Blade Guide	015975	2	
7	Ring, 1 1/8" IR 3000x112 Retaining	F04254-1	1	
8	Spacer, Blade Guide Roller	018948	2	
9	Pivot Weldment, Blade Guide	035209	1	
10	Washer, 5/16" SAE Flat	F05011-17	2	
11	Bolt, 5/16-18 x 1" Hex Head Stainless Steel	F05006-88	5	
12	Block Weldment, Blade Guide Mount	035219	1	
13	Insert Assembly, 1 1/4" Blade Guide	035222	2	
14	Washer, 5/16" Split Lock	F05011-13	4	
15	Bolt, 5/16-18 x 1 1/4" Hex Head Stainless Steel	F05006-118	4	
16	Bolt, 1/2-13 x 1 1/2" Hex Head	F05008-4	1	
17	Washer, #10 Split Lock	F05011-20	2	
18	Bolt, #10-32 x 1 3/4" Hex Head Stainless Steel	F05004-178	1	
19	Bolt, #10-32 x 3/8" Hex Head Stainless Steel	F05004-171	1	
20	Bolt, 5/16-18 x 1 3/4" Socket Head	F05006-65	2	
21	Bolt, 5/16-18 x 1 1/2" Full Thread Hex Head Stainless Steel	F05006-119	1	
22	Nut, 5/16-18 Hex	F05010-17	6	
23	ARM WELDMENT, DRIVE SIDE BLADE GUIDE	034292	1	
24	BOLT, BLADE GUIDE VERTICAL ADJUSTMENT	035656	1	
25	WASHER, 1/2" SPLIT LOCK	F05011-9	2	
26	BOLT, 1/2-13 X 1 1/2" HEX HEAD GRADE 5	F05008-33	2	
27	WASHER, 5/16" SAE FLAT	F05011-17	2	
28	WASHER, 5/16" SPLIT LOCK	F05011-13	2	
29	BOLT, 5/16-18 X 1 1/2" FULL THREAD HEX HEAD STAINLESS STEEL	F05006-119	2	

2 Blade Guide Rollers & Arm

Blade Guide Arm Drive Assembly

2.5 Blade Guide Arm Drive Assembly



REF	DESCRIPTION (◆ Indicates Parts Available In Assemblies Only)	PART #	QTY.
	ARM ASSEMBLY, IDLE SIDE BLADE GUIDE	034290	1
1	Plate Weldment, Blade Guide Arm	034286	1
2	Spacer, .322" x .44" x 1 1/2"	S09996	2
3	Washer, 5/16" Split Lock	F05011-13	2
4	Roller, Blade Guide Drive	S09999	2
5	Plate, Blade Guide Motor Mount	033803	1
6	Washer, 3/8" SAE Flat	F05011-3	2
7	Washer, 3/8" Split Lock	F05011-4	2
8	Bolt, 3/8-16 x 1" Hex Head	F05007-7	4
9	Washer, #10 Split Lock	F05011-20	4
10	Screw, #10-32 x 3/4" Phillips Head Machine	F05004-38	4

Blade Guide Rollers & Arm

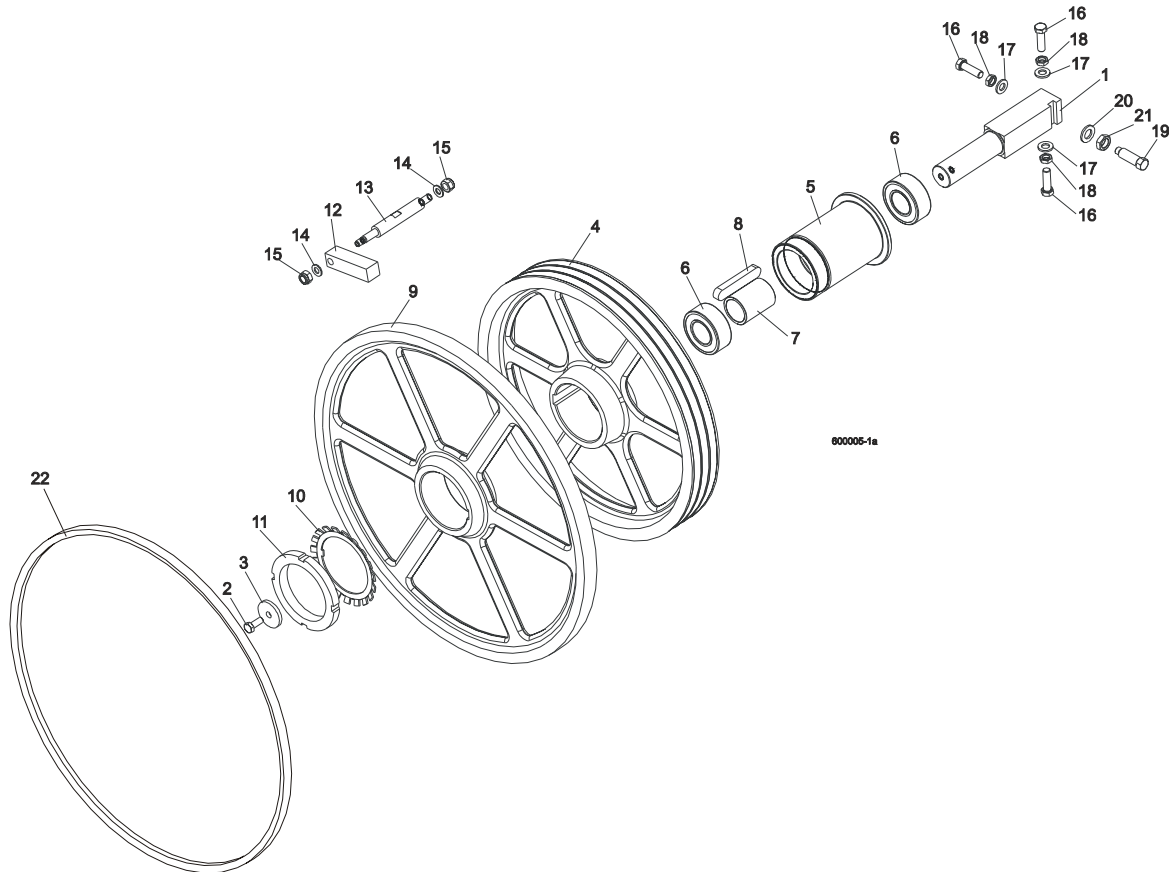
Blade Guide Arm Drive Assembly

2

11	Plate, Blade Guide Motor Mount Spacer	033805	1	
12	Motor, 1/30 HP 62RPM 12VDC 53:1 Gear	P09698-1	1	
13	Sprocket, 25B13 x .3130	P09970	1	
14	Pin, 1/8" x 3/4" Roll	F05012-6	1	
15	Spacer, Blade Guide Arm V-Roller	033913	4	
	Roller Assembly, Blade Guide Arm V Idle	042543	2	
16	Housing, 2 1/2" V-Groove	042536	1	
17	Bearing, 5/8" x 1.7548" x .4724"	P06030-1	2	
18	Ring, 1.575" ID Beveled 5002-156 Retaining	F04254-8	1	
	Roller Assembly, Blade Guide Arm V Drive	042542	2	
19	Housing, 2 1/2" V-Groove w/Sprocket	042541	1	
20	Bearing, 5/8" x 1.7548" x .4724"	P06030-1	2	
21	Ring, 1.575" ID Beveled 5002-156 Retaining	F04254-8	1	
22	Arm Weldment, Blade Guide	034289	1	
23	Blade Guide Parts (See Section 2.1)			
24	Bolt, 5/8-18 x 2 1/4" Hex Head Grade 5	F05009-80	2	
25	Nut, 3/8-16 Hex Jam	F05010-29	2	
26	Bolt, 5/8-18 x 3 1/4" Hex Head Grade 5	F05009-98	2	
27	Nut, 5/8-18 Hex Nylon Lock	F05010-71	2	
28	Bolt, 1/2-20 x 2" Hex Head Full Thread	F05008-126	2	
29	Nut, 1/2-20 Hex Jam	F05010-16	2	
30	Washer, 5/16" SAE Flat	F05011-17	2	
31	Nut, 5/16-18 Hex Nylon Lock	F05010-58	1	
32	Bolt, 5/16-18 x 1 1/2" Hex Head Grade 5	F05008-96	1	
33	Washer, 3/4" Split Lock	F05011-6	1	
34	Bolt, 3/4-16 x 2" Full Thread Hex Head	F05013-1	1	
35	Guard, Blade Guide Arm	014955	1	
36	Nut, 1/4-20 Hex Nylon Lock	F05010-69	1	
37	Bracket, Blade Guide Arm Guide	014882	1	
38	Bolt, 5/16-18 x 3/4" Flat Head Socket	F05006-95	1	
39	Nut, 5/16-18 Hex Lock	F05010-6	1	
40	Decal, Blade Guide Arm Warning Stripe	015849	1	
41	Screw, 1/4-20 x 1" Hex Head	F05006-10	2	
42	Bolt, 5/16-18 x 2 1/2" Hex Head	F05006-10	2	
43	Chain, #25 x 92 Pitches	042443	1	
44	Link, #25 Master	P09983	2	

SECTION 3 BLADE WHEELS & TENSIONER

3.1 Blade Drive Assembly



800005-1a

REF	DESCRIPTION (◆ Indicates Parts Available In Assemblies Only)	PART #	QTY.
1	SHAFT, BLADE DRIVE WHEEL	088475	1
2	BOLT, M10x25 8.8 HEX HEAD FULL THREAD	F81003-31	1
3	WASHER, BLADE DRIVE WHEEL	088956-1	1
	PULLEY ASSEMBLY, BLADE DRIVE	088561	1
4	Pulley, 3-Groove 484 mm Diameter	089457-1	1
5	Bushing, Blade Drive Wheel	088476	1
6	Bearing, 3208.2rsr.tvh (FAG) Rolling	088449	2
7	Spacer, Drive Bearing	088478	1
8	Key, A20x12x100 Parallel	088477	1
9	WHEEL, BLADE DRIVE	090811 ¹	1
10	WASHER, MB21 (FAG) LOCK	088451	1
11	NUT, KM21(M105X2) (FAG) LOCK	088450	1
12	BAR, WHEEL SCRAPER	088781	1
13	SHAFT, WHEEL SCRAPER	088780-1	1

3 Blade Wheels & Tensioner

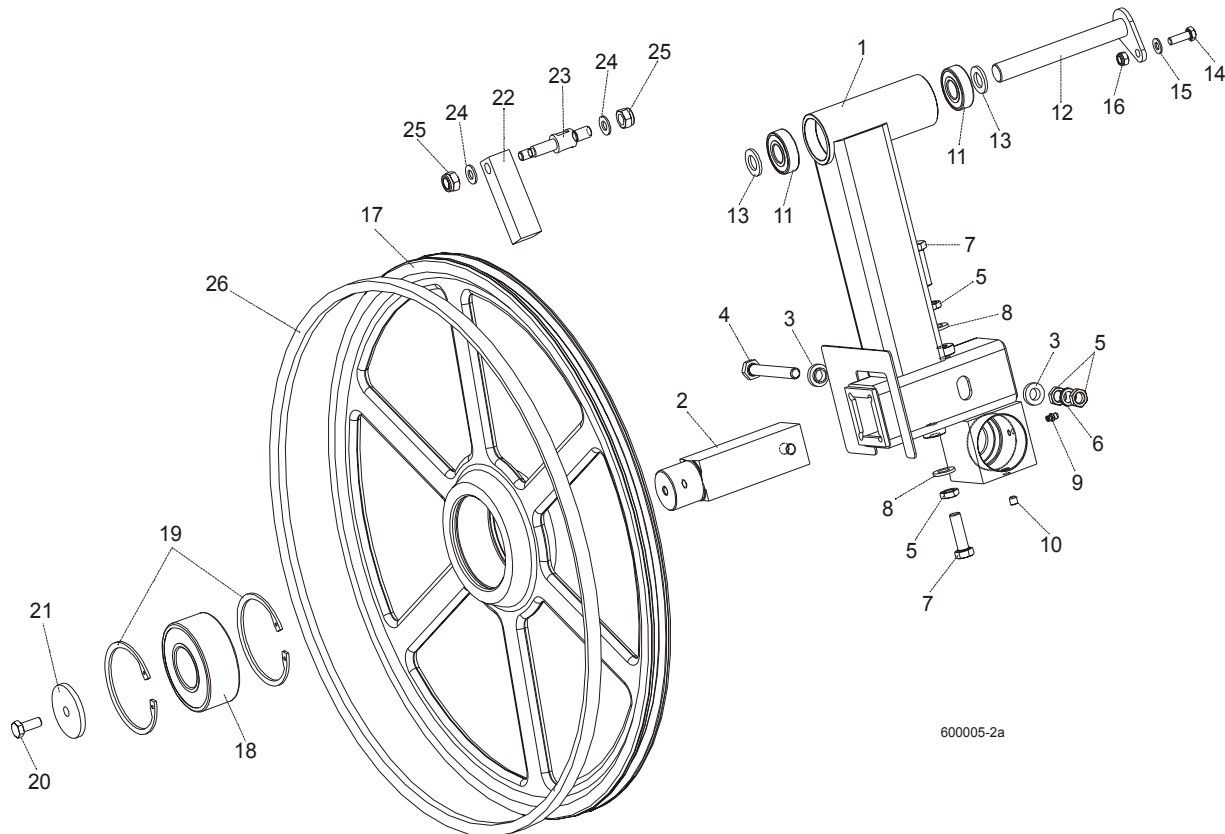
Blade Drive Assembly

14	WASHER, 10.5 ZINC FLAT	F81055-1	2	
15	NUT, M12-8 HEX NYLON ZINC LOCK	F81034-2	2	
16	BOLT, M12X1.25X40 HEX HEAD	F81004-42	3	
17	WASHER, 13 FLAT ZINC	F81056-1	3	
18	NUT, M12X1.25 8.8 THIN ZINC	F81034-5	3	
19	SCREW, M16X1.5X50-33H HEX HEAD FULL DOG POINT SET ZINC	F81006-14	1	
20	WASHER, 17 ZINC FLAT	F81058-1	1	
21	NUT, M16x1.5-08-B ZINC THIN	F81036-6	1	
22	BELT, BLADE WHEEL B72.5	017922 ²	1	

¹ Steel blade wheels (without belts, WM part# 088420-1) are used with optional all-ceramic blade guides only.

² Used with standard blade guides only.

3.2 Idle Blade Wheel Assembly



600005-2a

REF	DESCRIPTION (◆ Indicates Parts Available In Assemblies Only)	PART #	QTY.
	TUBE WELDMENT, LT60 IDLE SIDE BLADE WHEEL COMPLETE	088762	1
1	Tube Weldment, LT60 Idle Blade Wheel	088434-1	1
2	Shaft, Idle Blade Wheel	088474	1
3	Washer, Zinc Special	086769-1	2
4	Bolt, M12x1.25x100-8.8 Hex Head Zinc	F81004-41	1
5	Nut, M12x1.25 8.8 Hex ZincThin	F81034-5	4
6	Washer, Z12.2 Split Zinc Lock	F81056-2	1
7	Bolt, M12x1.25x40 Hex Head	F81004-42	2
8	Washer, 13 Zinc Flat	F81056-1	2
9	Fitting, M6 Straight Grease	086280	1
10	Screw, M8x8-33H Hex Socket Set Flat Point Zinc	F81014-1	1
11	Bearing, 6204 2RS-CX Rolling	088447	2
12	PIN WELDMENT, PIVOT	088759-1	1
13	WASHER, 17 ZINC FLAT	F81058-1	2
14	BOLT, M8X25-8.8-B HEX HEAD FULL THREAD ZINC	F81002-5	1
15	WASHER, 8.4 ZINC FLAT	F81054-1	1
16	NUT, M8-8-B HEX NYLON ZINC LOCK	F81032-2	1

3 Blade Wheels & Tensioner

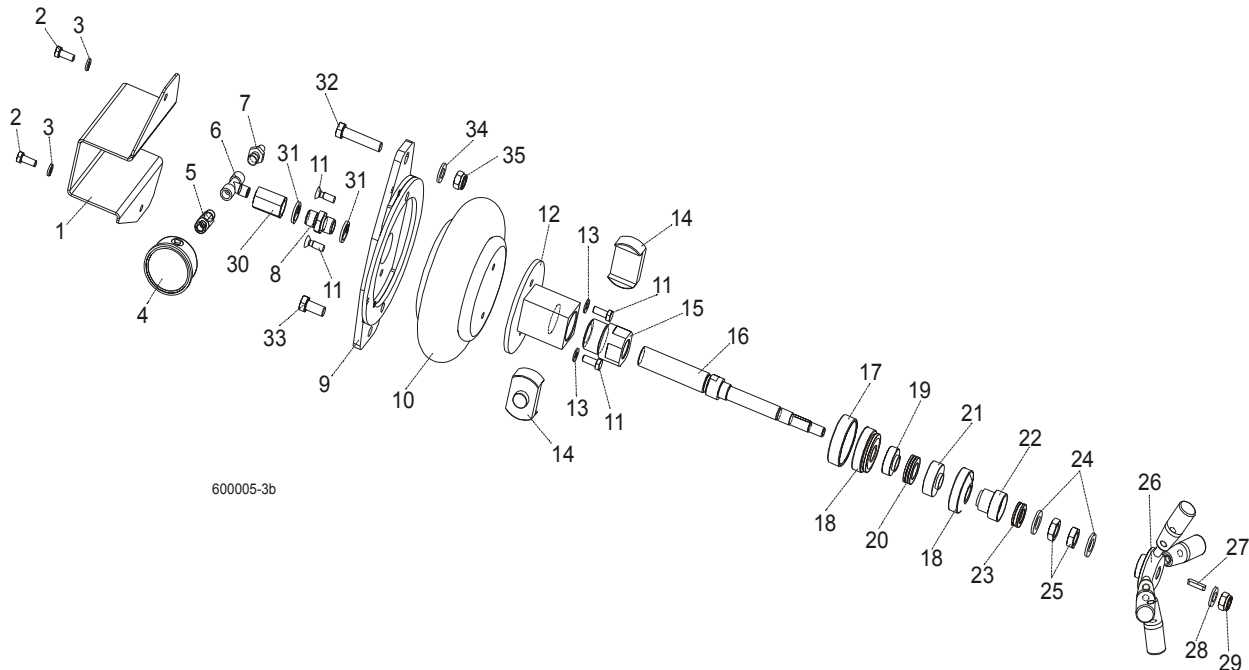
Idle Blade Wheel Assembly

	WHEEL ASSEMBLY, IDLE SIDE		1	
17	Wheel, Blade Idle Side	090810 ¹	1	
18	Bearing, 3309B.2RSR.TVH-P66 FAG	086428	1	
19	Ring, W100 Spring Retaining	F81090-10	2	
20	BOLT, M10X25 8.8 HEX HEAD FULL THREAD	F81003-31	1	
21	WASHER, IDLE BLADE WHEEL RETAINING	088957-1	1	
22	SCRAPER, IDLE BLADE WHEEL	088781	1	
23	SHAFT, SHORT ZINC WHEEL SCRAPER	088779-1	1	
24	WASHER, 10.5 ZINC FLAT	F81055-1	2	
25	NUT, M12-8 HEX NYLON ZINC LOCK	F81034-2	2	
26	BELT, BLADE WHEEL B72.5	017922 ²	1	

¹ Steel blade wheels (not belted, WM part# 088419-1) are used with optional all-ceramic blade guides only

² Used with standard blade guides only.

3.3 Blade Tensioner Assembly



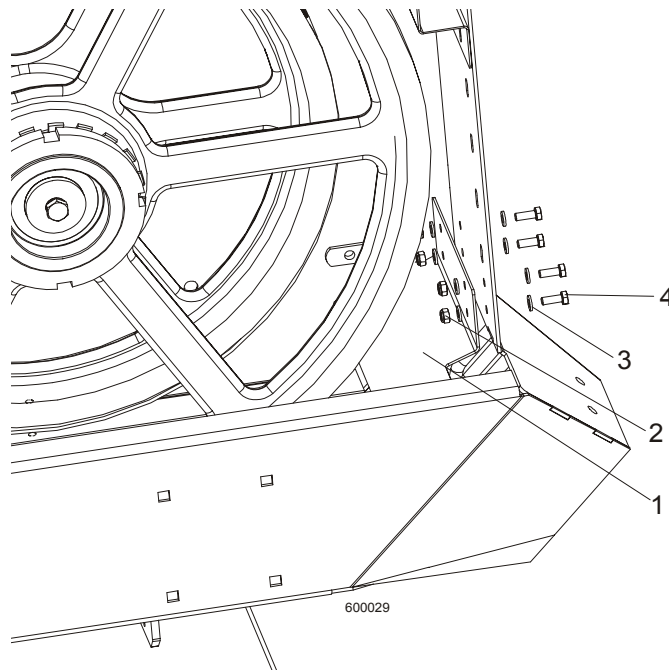
REF	DESCRIPTION (◆ Indicates Parts Available In Assemblies Only)	PART #	QTY.
	BLADE TENSIONER, COMPLETE	088790	1
1	Guard, Air Pressure Gauge	088924	1
2	Bolt, M8x20-8.8-B Hex Head Full Thread Zinc	F81002-4	2
3	Washer 8.2 Zinc Split	F81054-4	2
4	Gauge, M63T-2,5/20G G 1/8 0-0,6 MPa/PSI Air Pressure	088568	1
5	Nipple, 1/8" Thread x 1/4" Thread	088571	1
6	Fitting, PO 2301 002 2 Tee Connector	088573	1
7	Fitting, 1/4" Thread 390 004 004 0 (REXROTH) Air Tank Valve	088575	1
8	Nipple, G1/4z/G1/4z 893-104-430-4	090807	1
9	Bracket, Air Bag Mount	088798-1	1
10	Bag, POJ 192 308 100 0 Air	088576	1
11	Screw, M8x25 Cross Recessed Countersunk Head Zinc	F81002-51	4
12	Tube Weldment, Tensioner Nut	088795-1	1
13	Washer, 8.4 Zinc Flat	F81054-1	2
14	Plate, Tube Guide	089433	1
15	Nut, Blade Tensioner	088794	1
16	Bolt, Blade Tensioner Special	088793-1	1
17	Seat, Spherical Bearing Threaded	088803-1	1
18	Bearing, GE20 AW (ELGES) Spherical Plain Thrust	089430	2
19	Bushing, Bearing Spacer	088791	1

3

Blade Wheels & Tensioner*Blade Tensioner Assembly*

20	Bearing, 51104 Thrust Ball	088989	1	
21	Seat, 51104 Thrust Bearing	089439	1	
22	Seat, 51103 Thrust Bearing	089440-1	1	
23	Bearing, 51103 FLT Thrust Ball	086675	1	
24	Washer, 17 Zinc Flat	F81058-1	2	
25	Nut, M16x1,5-08-B Zinc Thin	F81036-6	2	
26	Handle, Blade Tensioner Complete	089431	1	
27	Key, A5x5x25 Parallel	089432	1	
28	Washer, 13 Zinc Flat	F81056-1	1	
29	Nut, M12-8 Hex Nylon Zinc Lock	F81034-2	1	
30	Nipple, G1/4w/G1/4w 893-302-000-4	090808	1	
31	Seal, G1/4 866-014-000-0	090809	2	
32	BOLT, M12x55-8.8 HEX HEAD ZINC	F81004-12	1	
33	BOLT, M12x25-8.8 HEX HEAD FULL THREAD ZINC	F81004-31	1	
34	WASHER,13 ZINC FLAT	F81056-1	1	
35	NUT, M12-8 HEX NYLON ZINC LOCK	F81034-2	1	

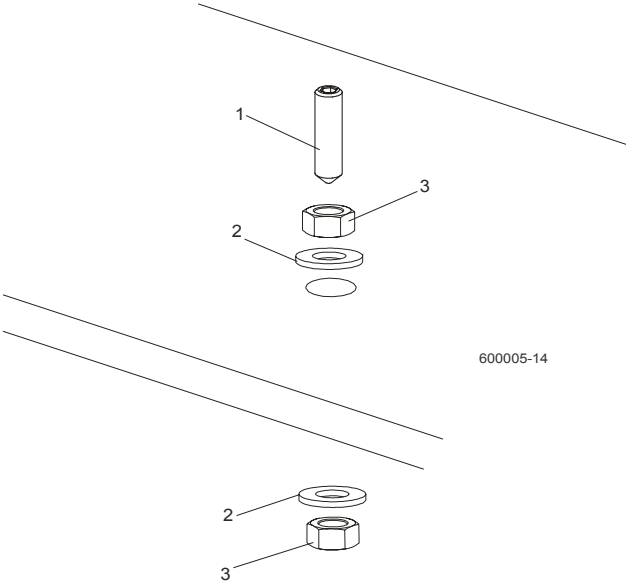
3.4 Sawdust Flow Guide



REF	DESCRIPTION (◆ Indicates Parts Available In Assemblies Only)	PART #	QTY.	
1	Guide, Sawdust Flow Painted	090506	1	
2	Nut, M6-8-B Hex Nylon Zinc Lock	F81031-2	4	
3	Washer 6.4 Zinc Flat	F81053-1	8	
4	Bolt, M6x16-8.8, Hex Head Full Thred, Zinc	F81001-32	4	

SECTION 4 SAW HEAD

4.1 Middle Throat Screw

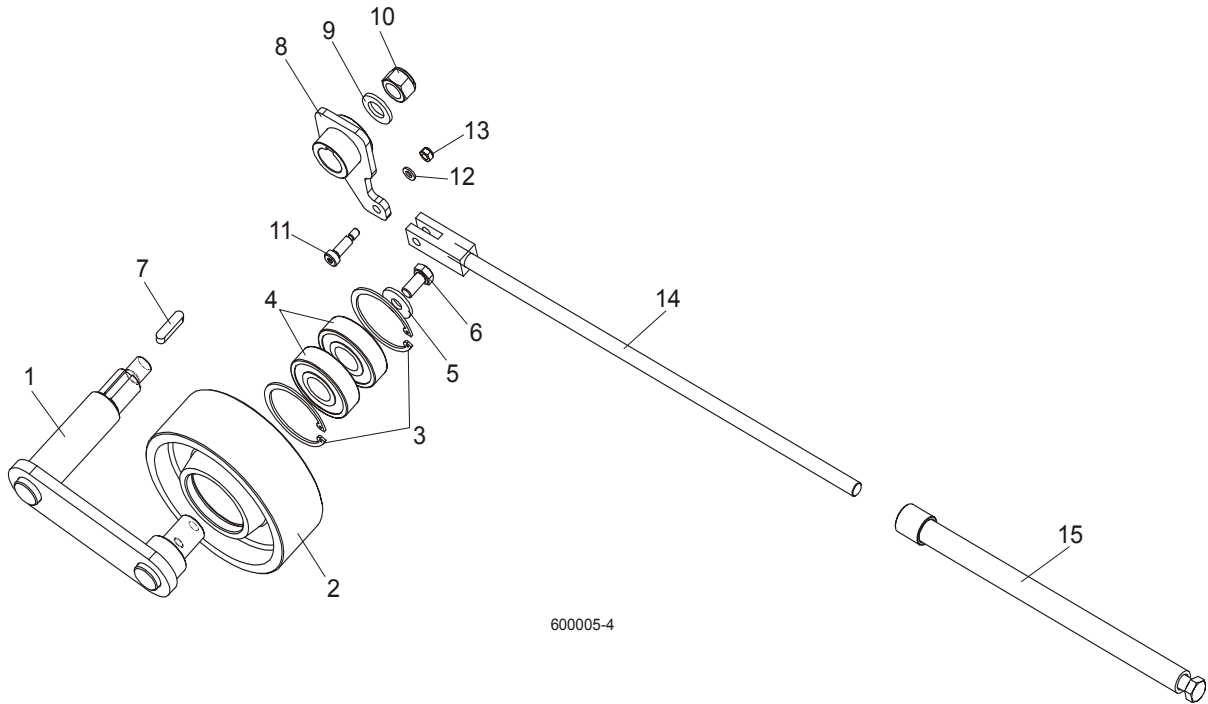


REF	DESCRIPTION (◆ Indicates Parts Available In Assemblies Only)	PART #	QTY.	
1	SCREW, M10X40-45H HEX SOCKET SET CONE POINT ZINC	F81003-61	1	
2	WASHER, 10.5 ZINC FLAT	F81055-1	2	
3	NUT, M10-8-B ZINC HEX	F81033-3	2	

4 Saw Head

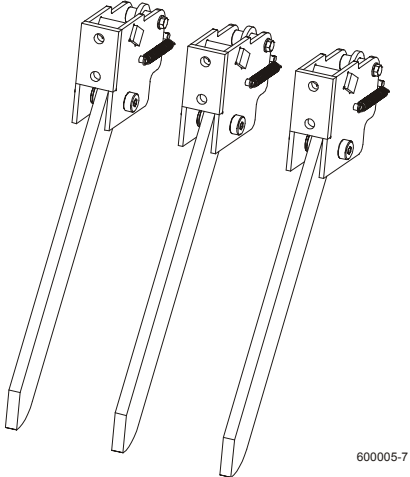
Drive Belt Tensioner

4.2 Drive Belt Tensioner

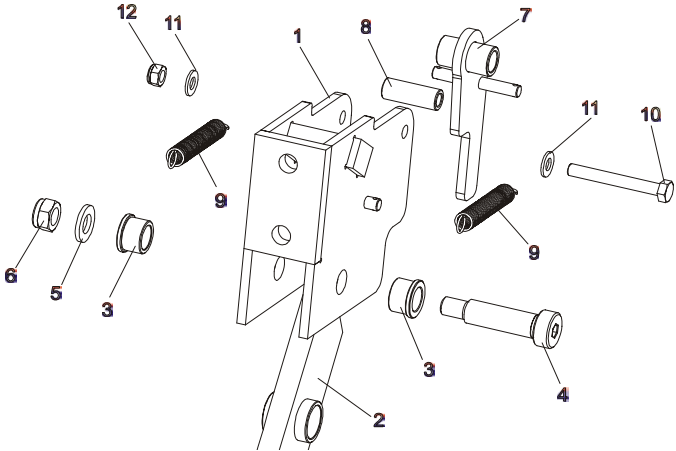


REF	DESCRIPTION (◆ Indicates Parts Available In Assemblies Only)	PART #	QTY.
	TENSIONER ASSEMBLY, DRIVE BELT	088786	1
1	Pivot Weldment, Drive Belt Tensioner	088810-1	1
2	Wheel, Belt Tension	088814	1
3	Ring, 62 mm Inside Spring Retaining	F81090-1	2
4	Bearing, 6305 2RS NSK	P08066	2
5	Washer, 11 Zinc Flat Special	088787-1	1
6	Bolt, M10x20-5.8 Hex Head Full Thread Zinc	F81003-1	1
7	Key, A8X7X32 Parallel	088564	1
8	Arm Weldment, Drive Belt Tensioner	088807-1	1
9	Washer, 17 Zinc Flat	F81058-1	1
10	Nut, M16-5.8 Zinc Hex	F81036-1	1
11	Bolt, 8/M6X20 12.9 ISO 7379 BOSSARD	F81001-25	1
12	Washer 6.4 Zinc Flat	F81053-1	1
13	Nut, M6-8-B Hex Nylon Zinc Lock	F81031-2	1
14	Rod Weldment, Threaded	088789-1	1
15	Tube Weldment, Threaded	088782-1	1

4.3 Board Return Assembly



600005-7

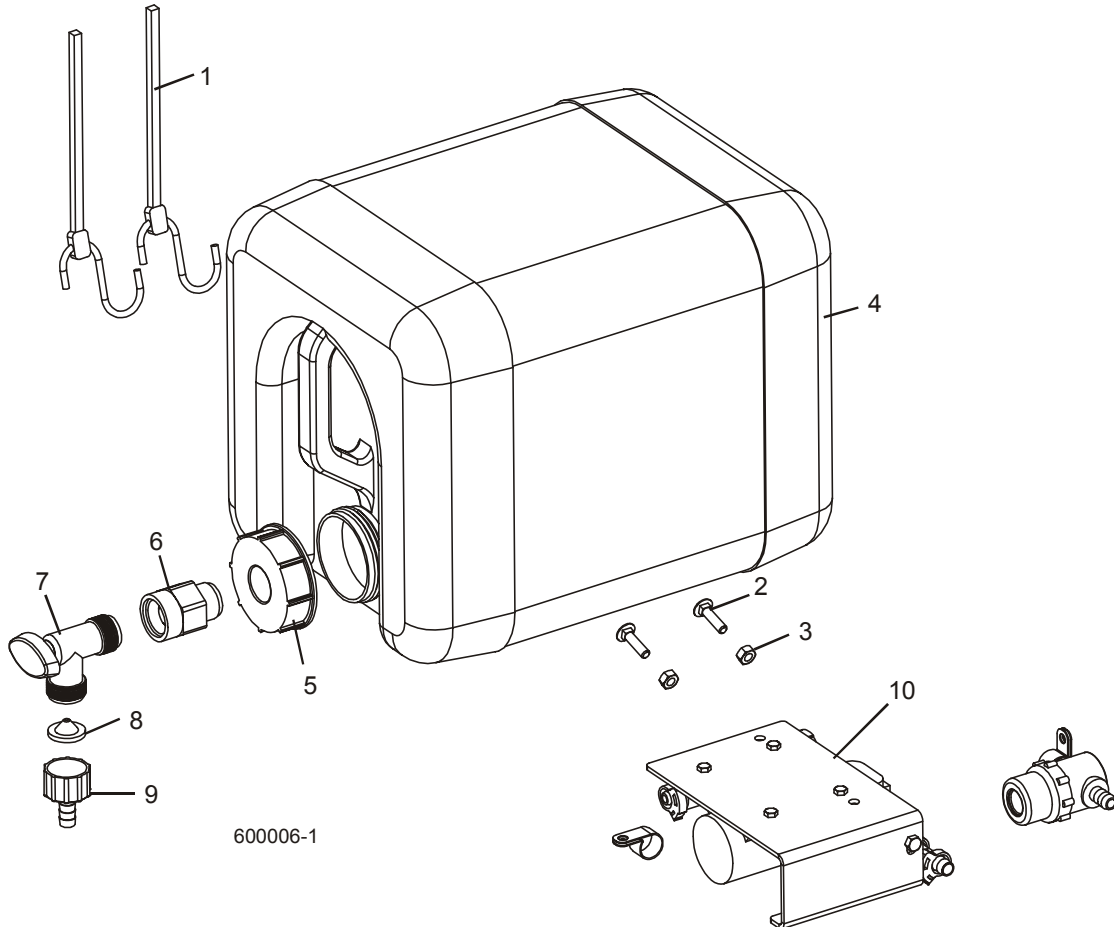


REF	DESCRIPTION (◆ Indicates Parts Available In Assemblies Only)	PART #	QTY.
	BOARD RETURN ASSEMBLY	090120	3
1	MOUNT WELDMENT, BOARD RETURN ARM	090109-1	3
2	ARM, BOARD RETURN	090112-1	3
3	Bushing, Bronze	086676	6
4	BOLT, 16/M12X50-12.9 ISO7379-BOSSARD SOCKET HEAD	F81004-25	3
5	WASHER, 13 ZINC FLAT	F81056-1	3
6	NUT, M12-8 HEX NYLON ZINC LOCK	F81034-2	6
7	LATCH WELDMENT, BOARD RETURN ARM	090118-1	3
8	SPACER, ZINC	090115-1	3
9	SPRING, 1/2 X 2 1/4 X .06 EXTENSION	014817	6
10	BOLT, M8 X 65-5.8 HEX HEAD ZINC	F81002-3	3
11	WASHER, 8.4 ZINC FLAT	F81054-1	6
12	NUT, M8-8-B HEX NYLON ZINC LOCK	F81032-2	3

4 Saw Head

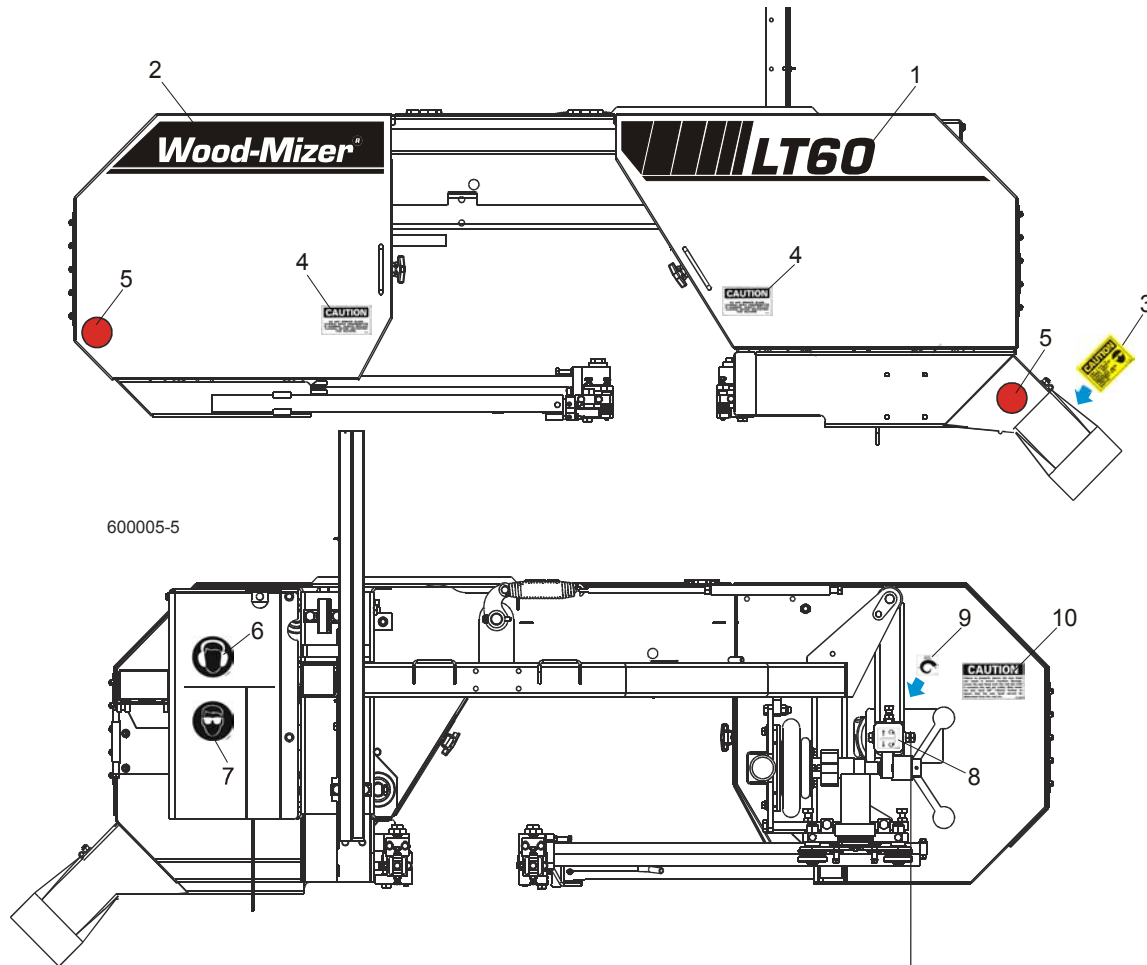
Water Lube Assembly

4.4 Water Lube Assembly



REF	DESCRIPTION (◆ Indicates Parts Available In Assemblies Only)	PART #	QTY.	
1	STRAP, 20" RUBBER	P11668	2	
2	BOLT, 1/4-20 X 1" CARRIAGE HEAD	F05005-34	2	
3	NUT, 1/4-20 HEX LOCK	F05010-21	2	
	BOTTLE ASSY, WATER LUBE	014642	1	
4	Bottle, 5-Gallon Water Lube	014637	1	◆
5	Cap, Water Lube Bottle Buttress Thread	014773	1	
6	FITTING, 3/4FPT X 3/4MPT	014636	1	
7	FITTING, WATER LUBE SHUTOFF VALVE	014100	1	
8	FILTER, WATER LUBE	016086	1	
9	FITTING, 5/8" NPT TO 3/8" HOSE BARB	014113	1	
10	LUBEMIZER PARTS/HOSES (SEE LUBEMIZER OPTION MANUAL)			

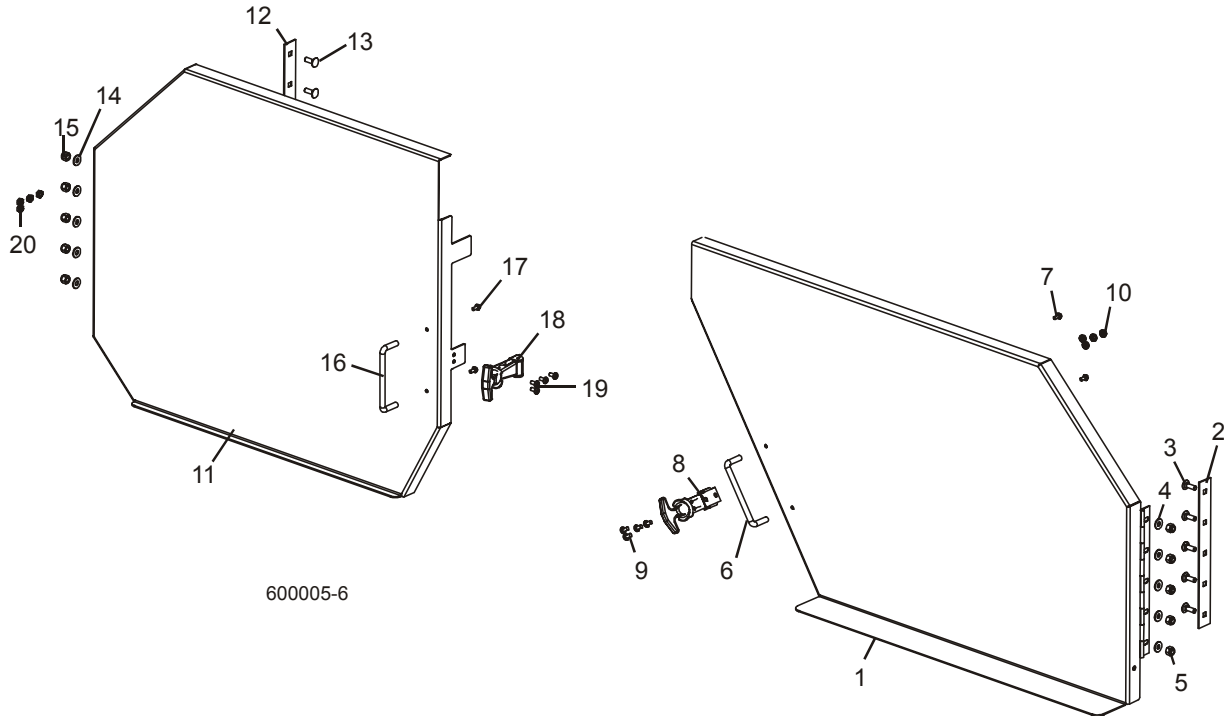
4.5 Saw Head Decals



REF	DESCRIPTION (◆ Indicates Parts Available In Assemblies Only)	PART #	QTY.
1	DECAL, LT60 LOGO	088908	1
	DECAL, LT70 LOGO	089550	1
2	DECAL, WOOD-MIZER LOGO	087935	1
3	DECAL, SAWDUST CHUTE CAUTION	P11754	1
4	DECAL, BLADE COVERS DANGER	S20039	2
5	REFLECTOR, 2" RED	P07452	2
6	DECAL, EYE WARNING	S12004G	1
7	DECAL, EAR WARNING	S12005G	1
8	DECAL, BLADE ALIGNMENT	P11789	1
9	DECAL, BLADE TENSION SCREW	P11790	1
10	DECAL, SAW HEAD REST CAUTION	S12581	1

4 Saw Head Blade Housing Covers

4.6 Blade Housing Covers



600005-6

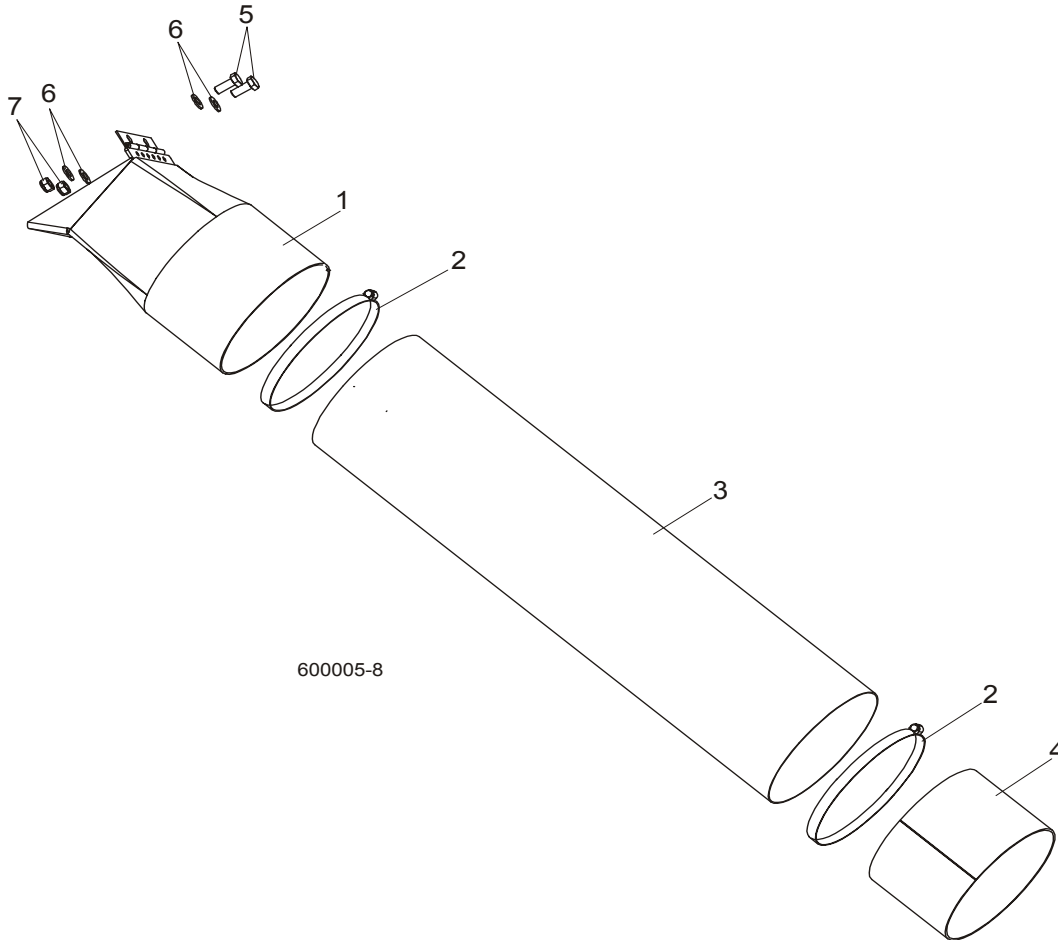
REF	DESCRIPTION (◆ Indicates Parts Available In Assemblies Only)	PART #	QTY.	
	COVER ASSEMBLY, DRIVE SIDE BLADE HOUSING	034374	1	
1	Cover Weldment, Drive Side Blade Housing	034317	1	◆
2	Plate, Hinge Backing	034251	1	
3	Bolt, 1/4-20 x 3/4" Carriage Head	F05005-113	5	
4	Washer, 1/4" SAE Flat	F05011-11	5	
5	Nut, 1/4-20 Hex Nylon Lock	F05010-69	5	
6	Handle, Blade Housing Cover	P08065	1	
7	Screw, #8-32 x 3/8" Self-tapping	F05015-8	2	
8	Latch, Flexible Draw	014829	1	
9	Screw, #10-24 x 3/8" Cross Slotted Pan Head	F05004-3	4	
10	Nut, #10-24 Hex Self-Locking	F05010-14	4	
	COVER ASSEMBLY, IDLE SIDE BLADE HOUSING	034375	1	
11	Cover Weldment, Idle Side Blade Housing	034318	1	◆
12	Plate, Hinge Backing	034251	1	
13	Bolt, 1/4-20 x 3/4" Carriage Head	F05005-113	5	
14	Washer, 1/4" SAE Flat	F05011-11	5	
15	Nut, 1/4-20 Hex Nylon Lock	F05010-69	5	
16	Handle, Blade Housing Cover	P08065	1	
17	Screw, #8-32 x 3/8" Self-tapping	F05015-8	2	
18	Latch, Flexible Draw	014829	1	

19	Screw, #10-24 x 3/8" Cross Slotted Pan Head	F05004-3	4	
20	Nut, #10-24 Hex Self-Locking	F05010-14	4	

4 Saw Head

Sawdust Chute

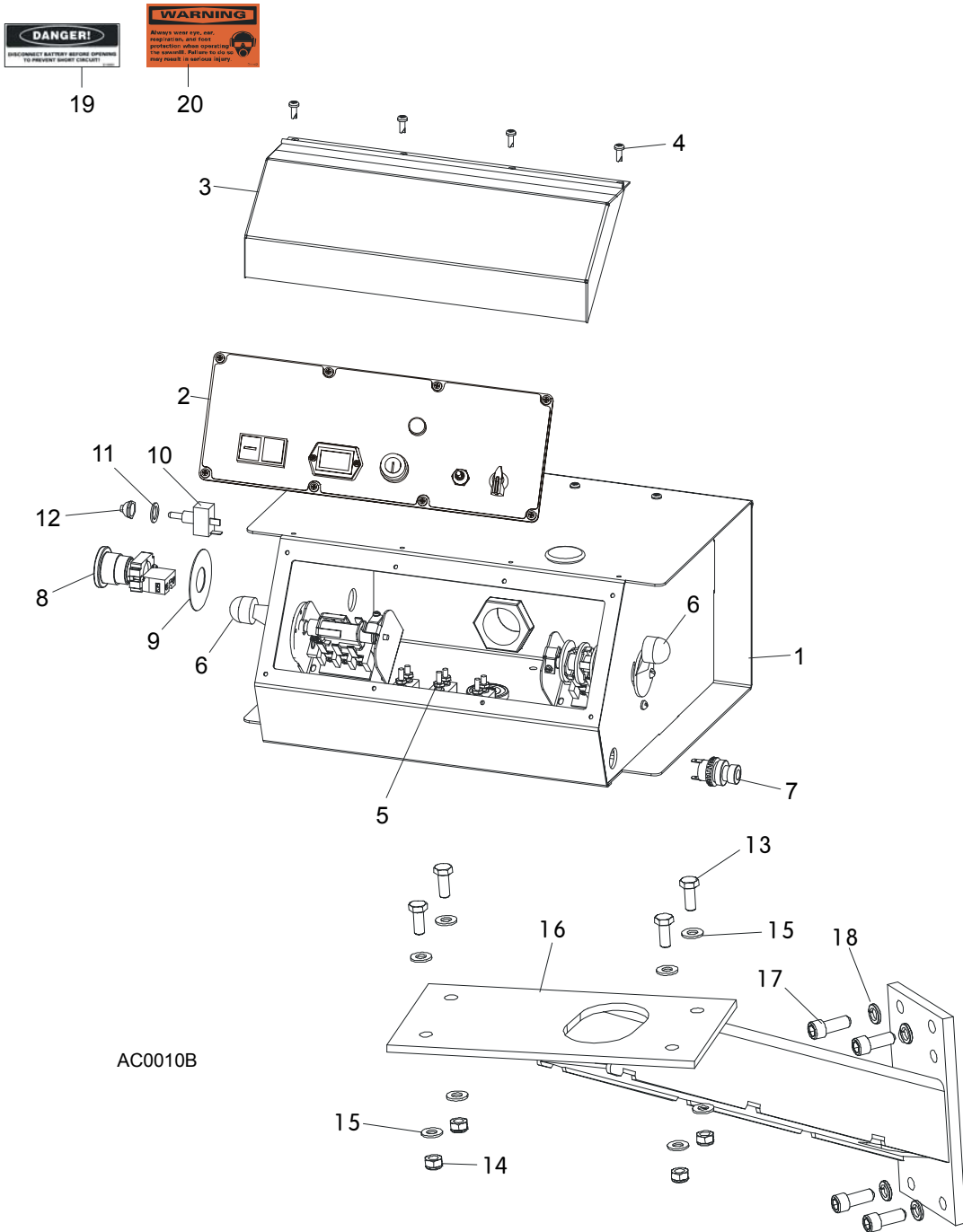
4.7 Sawdust Chute



REF	DESCRIPTION (◆ Indicates Parts Available In Assemblies Only)	PART #	QTY.	
1	CHUTE WELDMENT, SAWDUST	089352-1	1	
2	CLAMP, 152 MM	089358	2	
3	TUBE, SAWDUST CHUTE	090153	1	
4	TUBE, CHUTE END	090126-1	1	
5	BOLT, M8X20-8.8-B HEX HEAD FULL THREAD ZINC	F81002-4	2	
6	WASHER 8.4 ZINC FLAT	F81054-1	4	
7	NUT, M8-8-B HEX NYLON ZINC LOCK	F81032-2	2	

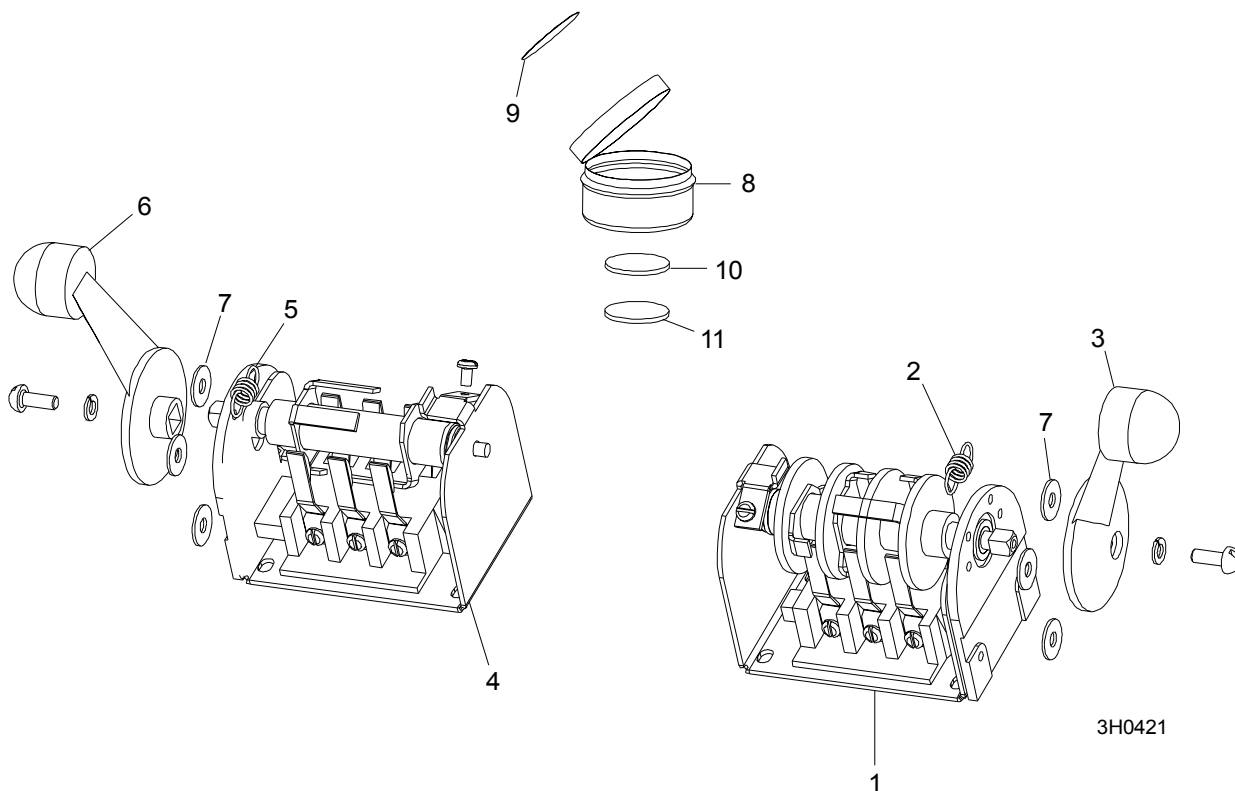
SECTION 5 CONTROL BOXES

5.1 Control Assembly, LT60AHD/LT70AHD/LT80AHD



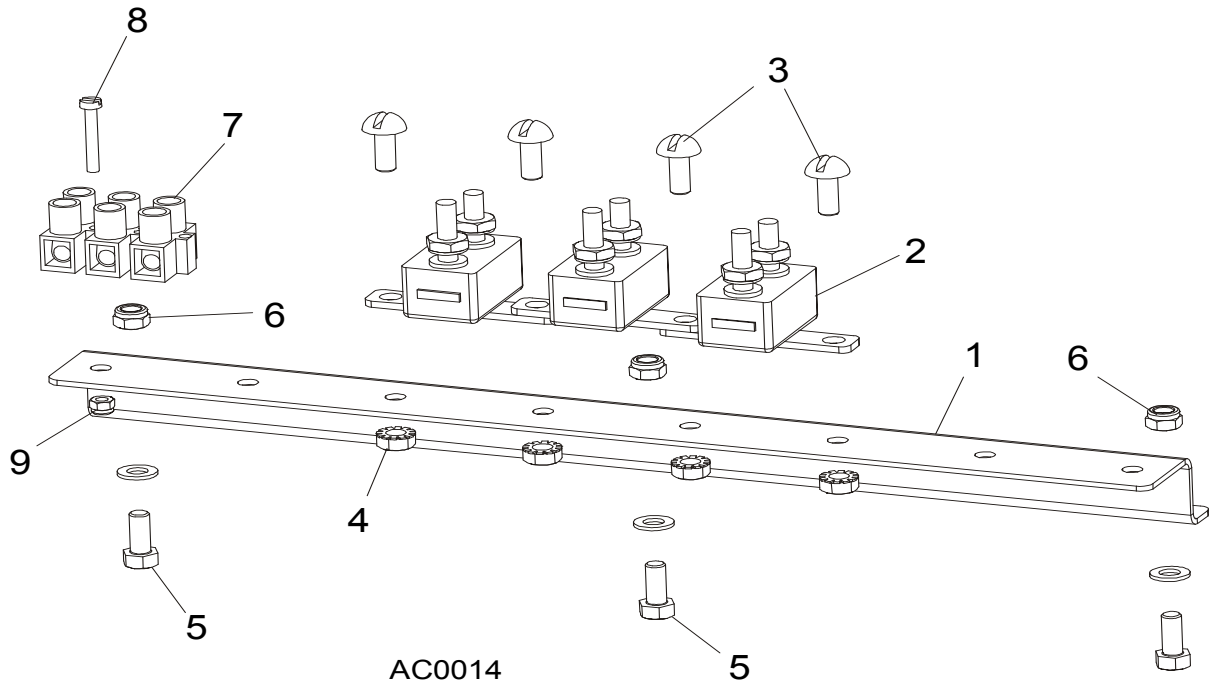
REF	DESCRIPTION (◆ Indicates Parts Available In Assemblies Only)	PART #	QTY.	
	CONTROL BOX ASSEMBLY, AC SUPER (EA20, EA25)	086548	1	
1	HOUSING, AC SUPER CONTROL BOX ASSEMBLY (EA20, EA25)	086546-1	1	◆
2	Front Control Panel & Wiring Harnesses (Section 5.4)			
3	Cover, Control Box Hinged	015304	1	
4	Screw, #10-24 x 1/2"	F05015-17	12	
5	Circuit Breakers (Section 5.3)			
6	Drum Switches (Section 5.2)			
7	Switch, Horn	E85118	1	
8	Switch, XB2 BS542 Emergency Stop	086556	1	
9	Washer, Emergency Stop Switch	086561	1	
10	Switch, Speed Control	086773	1	
11	Washer, 1/2" x 3/4" x 5/8" Nylon	P05251-1	1	
12	Boot, Speed Control Switch	P02575	1	
13	BOLT, M8 X 20-8.8-B HEX HEAD	F81002-4	4	
14	NUT, M8-8-B HEX	F81032-2	4	
15	WASHER, 8.4 FLAT	F81054-1	8	
16	MOUNT WELDMENT, STANDARD CONTROL BOX	086732-1	1	
17	BOLT,, 3/8-16 X 1" SOCKET HEAD	F05007-52	4	
18	WASHER, 10.2 SPLIT LOCK	F81055-2	4	
19	DECAL, FRONT OUTRIGGER WARNING	015400-4	1	
20	DECAL, EAR/EYE PROTECTION WARNING	S11753-4	1	

5.2 Drum Switches



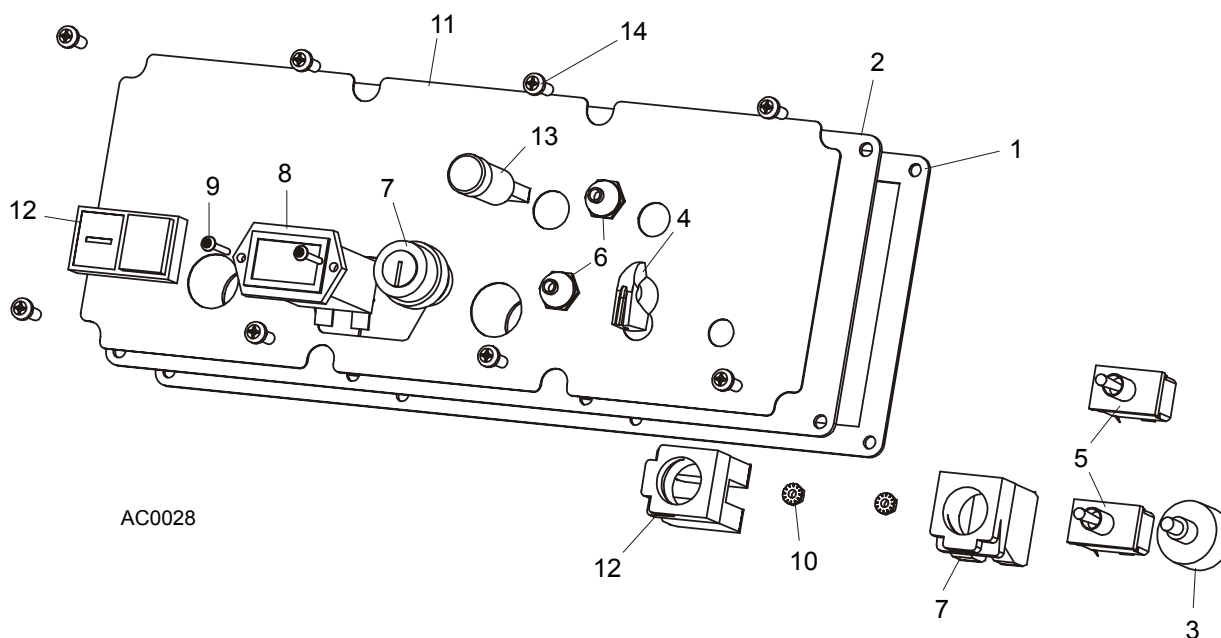
REF	DESCRIPTION (◆ Indicates Parts Available In Assemblies Only)	PART #	QTY.	
	SWITCH ASSEMBLY, UP/DOWN DRUM	E20440	1	
1	Switch, S12 Bulk Drum	E20440-B	1	◆
2	Spring, Drum Switch	P12570	1	
3	Handle, Drum Switch Replacement	P12500	1	
	SWITCH ASSEMBLY, POWER FEED DRUM	E20438	1	
4	Switch, S10 Bulk Drum	E20438-B	1	◆
5	Spring, Drum Switch	P12570	1	
6	Handle, Drum Switch Replacement	P12500	1	
7	WASHER, #8 SAE FLAT	F05011-41	6	
	CUP ASSEMBLY, DRUM SWITCH GREASE	A20463	1	
8	Cup, Plastic Container	P20464	1	◆
9	Decal, Grease Cup Label	P20467	1	
10	Pad, Velcro Loop	P20466	1	◆
11	Pad, Velcro Hook	P20465	1	◆
	Grease, High Temp Drum Switch	P20468	.011ml	◆

5.3 Circuit Breakers



REF	DESCRIPTION (◆ Indicates Parts Available In Assemblies Only)	PART #	QTY.
	BREAKER ASSEMBLY, SAWMILL CONTROL CIRCUIT	015621	1
1	Rail, Circuit Breaker	015310	1
2	Breaker, 15 Amp Manual Reset	E20430	5
3	Screw, #8-32 X 1/2" Slotted Head	F05004-12	6
4	Nut, #8-32 Hex Self-Locking	F05010-41	6
5	BREAKER, 70 AMP MANUAL RESET PANEL MOUNT	015527	1
6	BREAKER, 50 AMP MANUAL RESET PANEL MOUNT	021256	1
7	BOOT, CIRCUIT BREAKER	021253	2
8	SCREW, #10-24 X 3/8" PHILLIPS PAN HEAD	F05004-3	3
9	NUT, #10-24 SELF LOCKING	F05010-14	3

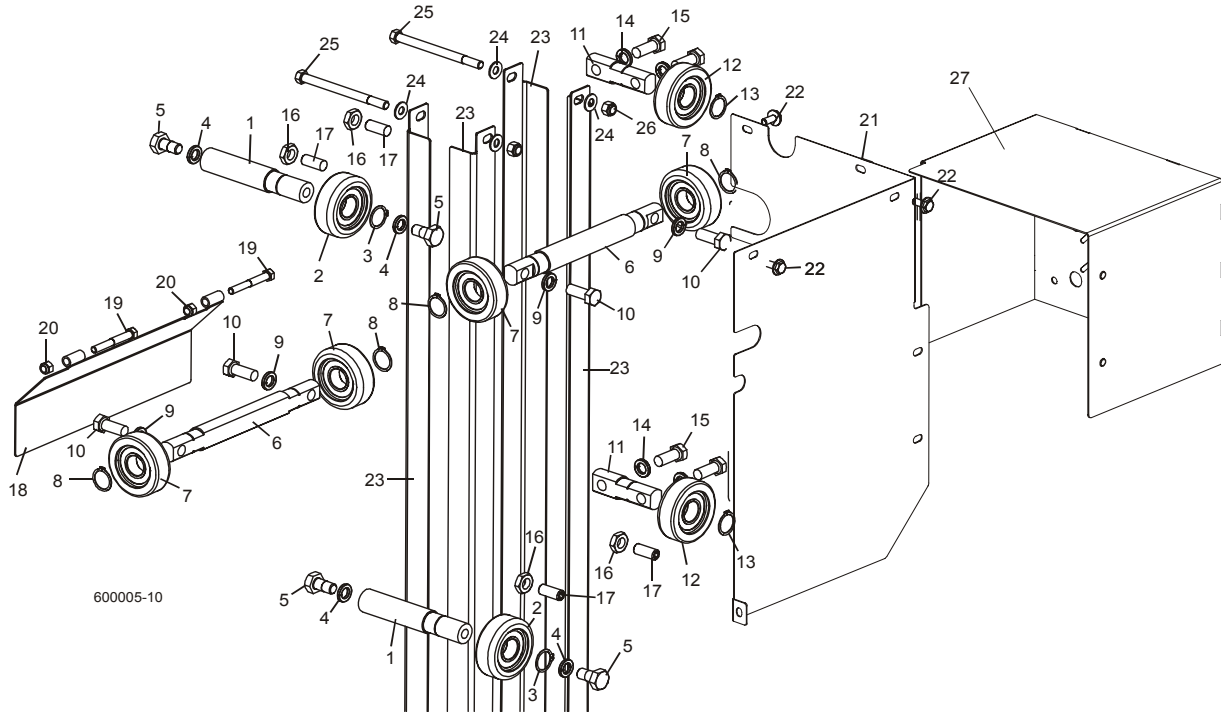
5.4 Front Panel Assembly & Harnesses



REF	DESCRIPTION (◆ Indicates Parts Available In Assemblies Only)	PART #	QTY.
	PANEL ASSEMBLY, AC SUPER CONTROL FRONT (EA20, EA25)	087387	1
1	Gasket, Front Panel	088387	1
2	Panel Weldment, Control	087316	1
3	Switch Assembly, Feed Rate	E20519	1
4	Knob, Feed Rate With Set Screw	P06257	1
5	Switch, Toggle	024200	2
6	Boot, Toggle Switch Rubber	P02575	2
7	Switch, Key	087350	1
8	Meter, Hour	015401	1
9	Screw, 6-42 x 3/4" Socket Button Head Cap Stainless Steel	F05004-93	2
10	Nut, 6-23 Self Locking	F05010-59	2
11	Decal, Control Pane	087351	1
12	Switch, START-STOP	087349	1
13	Lamp, Control	087348	1
	HARNESS ASSEMBLY, UPPER WIRING	024215	1
	HARNESS ASSEMBLY, LOWER WIRING	015421	1
14	Screw, #10-24 x 1/2" Pan Head	F05015-17	8

SECTION 6 UP/DOWN SYSTEM

6.1 Up/Down Rollers & Covers



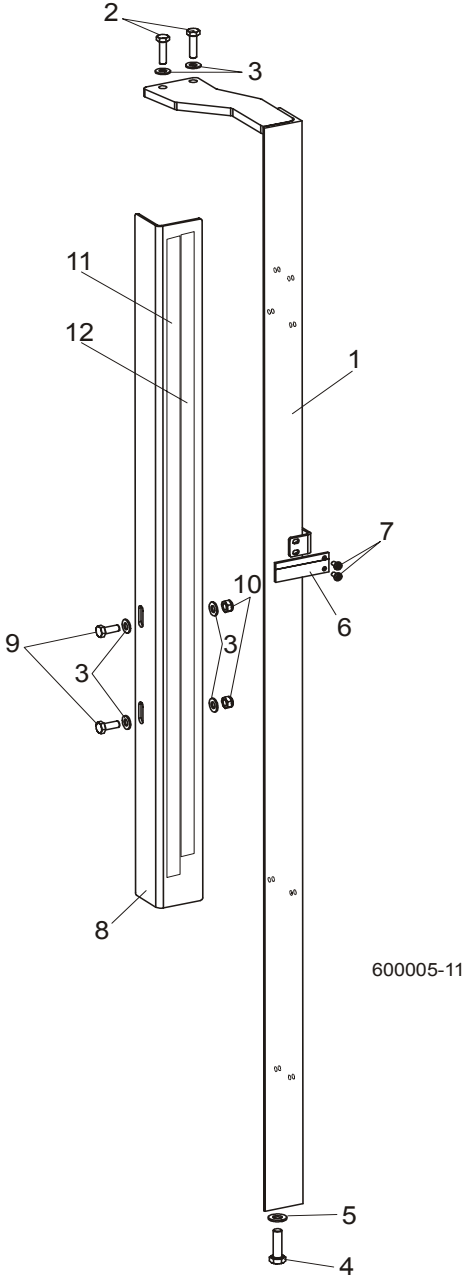
REF	DESCRIPTION (◆ Indicates Parts Available In Assemblies Only)	PART #	QTY.
	ROLLER ASSEMBLY, INSIDE UP/DOWN	089456	2
1	Shaft, Inside Up/Down Roller	088817	1
2	Bearing, CBK-468 Rolling	088433	1
3	Ring, Z30 Spring Retaining	F81090-23	1
4	Washer, 13 Zinc Flat	F81056-1	2
5	Bolt, M12x25-8.8 Hex Head Full Thread Zinc	F81004-31	2
	ROLLER ASSEMBLY, OUTSIDE UP/DOWN	089454	2
6	Shaft, Long Up/Down Roller	088815	1
7	Bearing, CBK-468 Rolling	088433	2
8	Ring, Z30 Spring Retaining	F81090-23	2
9	Washer, 10.5 Zinc Flat	F81055-1	3
10	Bolt, M10x35-8.8 Hex Head Full Thread Zinc	F81003-17	3
	ROLLER ASSEMBLY, SHORT UP/DOWN	089455	2
11	Shaft, Short Up/Down Roller	088816	1
12	Bearing, CBK-468 Rolling	088433	1
13	Ring, Z30 Spring Retaining	F81090-23	1
14	Washer, 10.5 Zinc Flat	F81055-1	2
15	Bolt, M10x35-8.8 Hex Head Full Thread Zinc	F81003-17	2

6 Up/Down System

Up/Down Rollers & Covers

16	NUT, M10-04-W HEX ZINC THIN	F81033-6	4	
17	SCREW, GN 913.3-M10-40-MS SET	F81003-65	4	
18	COVER WELDMENT, UP/DOWN ROLLER	089483-1	1	
19	BOLT, M8X16-8.8-B HEX HEAD FULL THREAD ZINC	F81002-20	4	
20	WASHER, 8.4 ZINC FLAT	F81054-1	9	
21	UP/DOWN GEAR COVER WELDMENT	090500-1	1	
22	BOLT, M8X12-8.8 HEX HEAD FULL THREAD ZINC	F81002-6	5	
23	ANGLE, MAST TUBE STAINLESS	088492	4	
24	WASHER, 10.5 ZINC FLAT	F81055-1	12	
25	BOLT, M10X125-8.8 HEX HEAD ZINC	F81003-18	4	
26	NUT, M10-8-B HEX NYLON ZINC LOCK	F81033-1	4	
27	UP/DOWN MOTOR COVER WELDMENT	090501-1	1	

6.2 Blade Height Scale



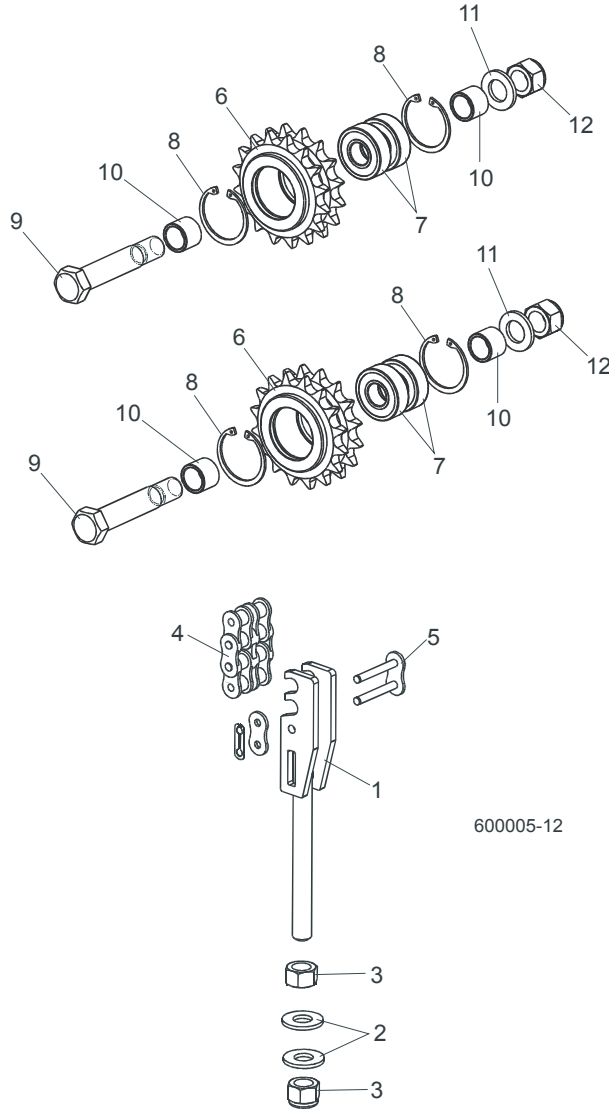
REF	DESCRIPTION (◆ Indicates Parts Available In Assemblies Only)	PART #	QTY.
1	MOUNT WELDMENT, SCALE PAINTED	088554-1	1
2	BOLT, M8 x 30-8.8-B HEX HEAD FULL THREAD ZINC	F81002-7	2
3	WASHER, 8.4 ZINC FLAT	F81054-1	6
4	BOLT, M10 x 35-8.8 HEX HEAD FULL THREAD ZINC	F81003-17	1
5	WASHER, 10.5 ZINC FLAT	F81055-1	1

6 Up/Down System

Blade Height Scale

6	POINTER, BLADE HEIGHT	086691-1	1	
7	SCREW, #10-24 X 3/8 PHILLIPS PAN HEAD ZINC	F05004-3	2	
8	ANGLE, SCALE MOUNT	088785-1	1	
9	BOLT, M8 X 20-8.8-B HEX HEAD FULL THREAD ZINC	F81002-4	2	
10	NUT, M8-8-B HEX NYLON ZINC LOCK	F81032-2	2	
11	DECAL, METRIC SCALE	S11711	1	
12	DECAL, 16-40 MM METRIC SCALE	P12040-1	1	

6.3 Up/Down Chain & Sprockets

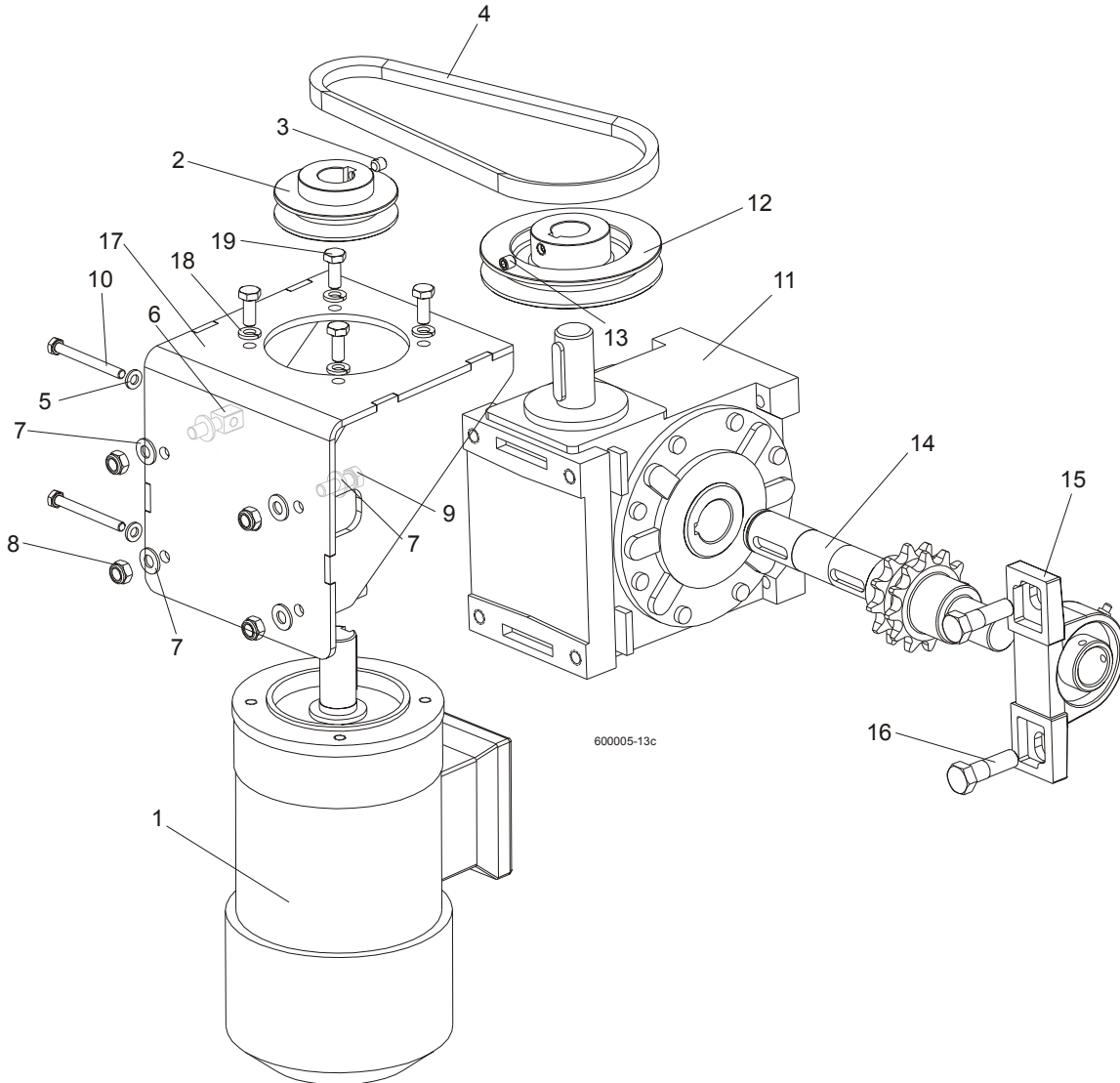


REF	DESCRIPTION (◆ Indicates Parts Available In Assemblies Only)	PART #	QTY.
1	TENSIONER WELDMENT, UP/DOWN CHAIN ZINC	088551-1	1
2	WASHER, 13 ZINC FLAT	F81056-1	2
3	NUT, M12-8 HEX NYLON ZINC LOCK	F81034-2	2
4	CHAIN, 10B-2 113-LINK UP/DOWN	088672	1
5	LINK, 10B-2Pz MASTER	088673	1
	SPROCKET ASSEMBLY, UP/DOWN IDLER	088470	1
6	Sprocket, Zinc	088471-1	1
7	Bearing, 6203-2RS FLT Rolling	086114	2

6**Up/Down System***Up/Down Chain & Sprockets*

8	Ring, W40 Spring Retaining	F81090-3	2	
9	Bolt, M16D1F6 x 90-8.8 Hex Fit Short Thread Zinc	F81006-15	1	
10	Spacer, Idler Zinc	088792-1	2	
11	Washer, 17 Zinc Flat	F81058-1	1	
12	Nut, M16-8 Hex Nylon Zinc Lock	F81036-2	1	

6.4 Up/Down Drive Assembly



REF	DESCRIPTION (◆ Indicates Parts Available In Assemblies Only)	PART #	QTY.
	MOTOR W/MOUNT BRACKET, AC UP/DOWN	090493	1
1	AC Motor, 2 gear STKg90 6/4L2 IMB14/162	086530	1
2	Pulley, AC Motor	090497-1	1
3	Screw, M8x8-33H Hex Socket Set Flat Point Zinc	F81014-1	1
4	V-Belt, HA-630	090558	1
5	Washer, 6.4 Zinc Flat	F81053-1	2
6	Bolt, Special - Zinc Plated	088962-1	2
7	Washer, 8.4 Zinc Flat	F81054-1	8

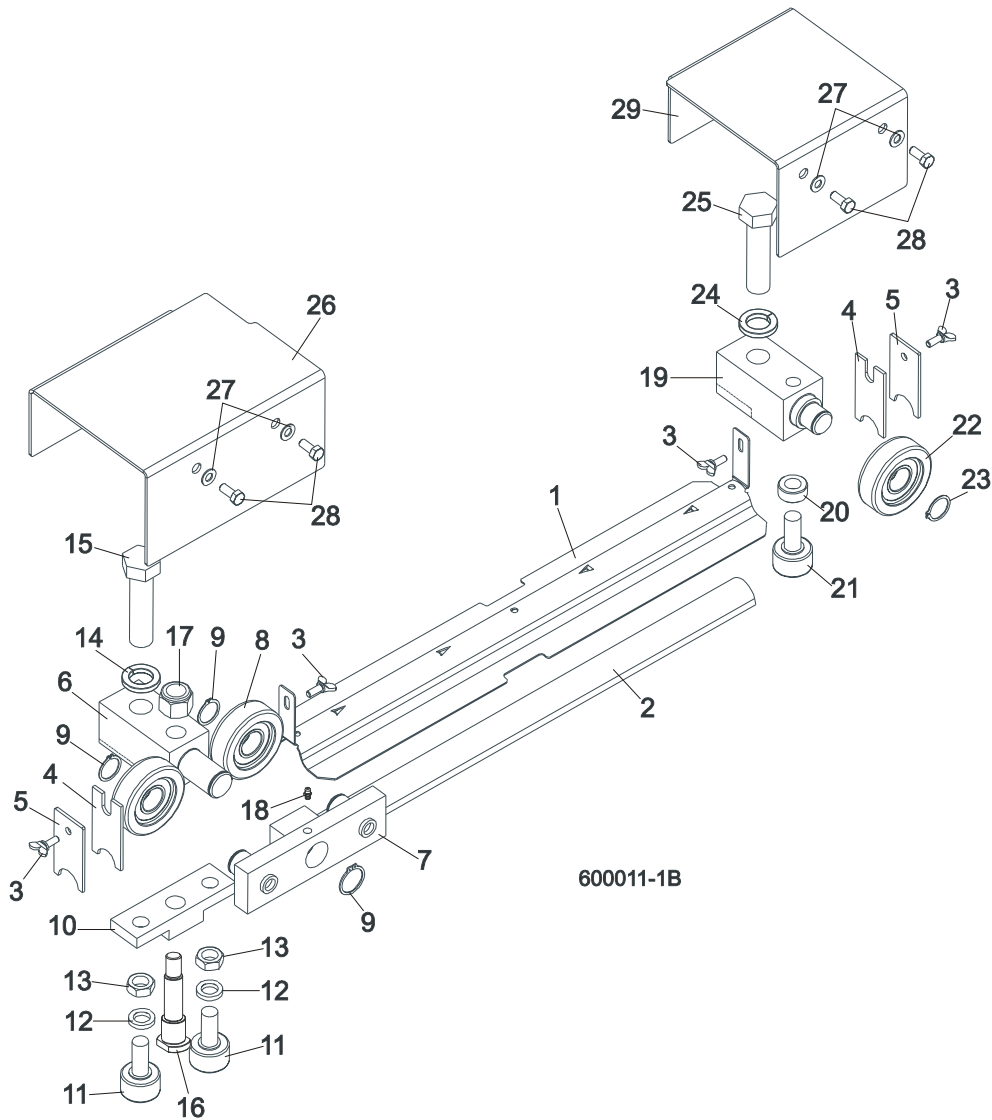
6

Up/Down System*Up/Down Drive Assembly*

8	Nut, M8-8-B hex nylon zinc lock	F81032-2	4	
9	Bolt, M8X25-8.8-B hex head full thread zinc	F81002-5	2	
10	Sruba, M6x60-8.8-Fe/Zn5 PN-85/M-82105	F81001-9	2	
	GEAR BOX ASSEMBLY, UP/DOWN DRIVE	089523	1	
11	Gear Box, RA-06/66/D1/N/V5	088577	1	
12	Pulley, Up/Down Gear Painted	089529-1	1	
13	Screw, M8x8-33H Hex Socket Set Flat Point Zinc	F81014-1	1	
14	Output Shaft w/ Sprocket, Up/Down Drive	089522	1	
15	Bearings Assembly UCP205 CX	088468	1	
16	Bolt, M12 x 40 - 8.8 Hex Head	F81004-1	1	
17	MOUNT WELDMENT, AC UP/DOWN PAINTED	090494-1	1	
18	WASHER 8.2 ZINC SPLIT	F81054-4	4	
19	BOLT, M8 X 20-8.8-B HEX HEAD FULL THREAD ZINC	F81002-4	4	

SECTION 7 FEED SYSTEM & TRACK ROLLERS

7.1 Upper Track Rollers And Wipers



REF	DESCRIPTION (◆ Indicates Parts Available In Assemblies Only)	PART #	QTY.
1	COVER, MIDDLE TRACK	S09917	1
2	STRIP, FELT	S09915	1
3	SCREW, M6X16 DIN 316 WING	F81001-16	4
4	WIPER, TOP RAIL	M04113	2
5	PLATE, TRACK WIPER	088559-1	2
	ROLLER ASSEMBLY, UPPER TANDEM TRACK	088530	1
6	Block, Tandem Roller Mount	088532	1

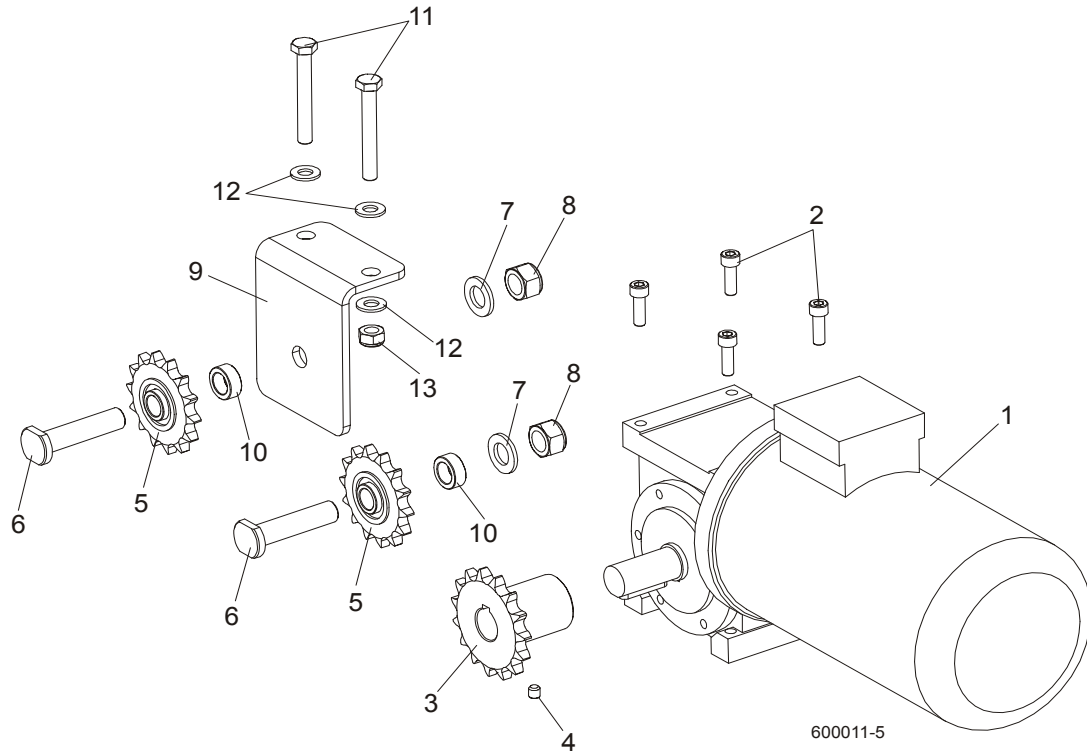
Feed System & Track Rollers

Upper Track Rollers And Wipers

7

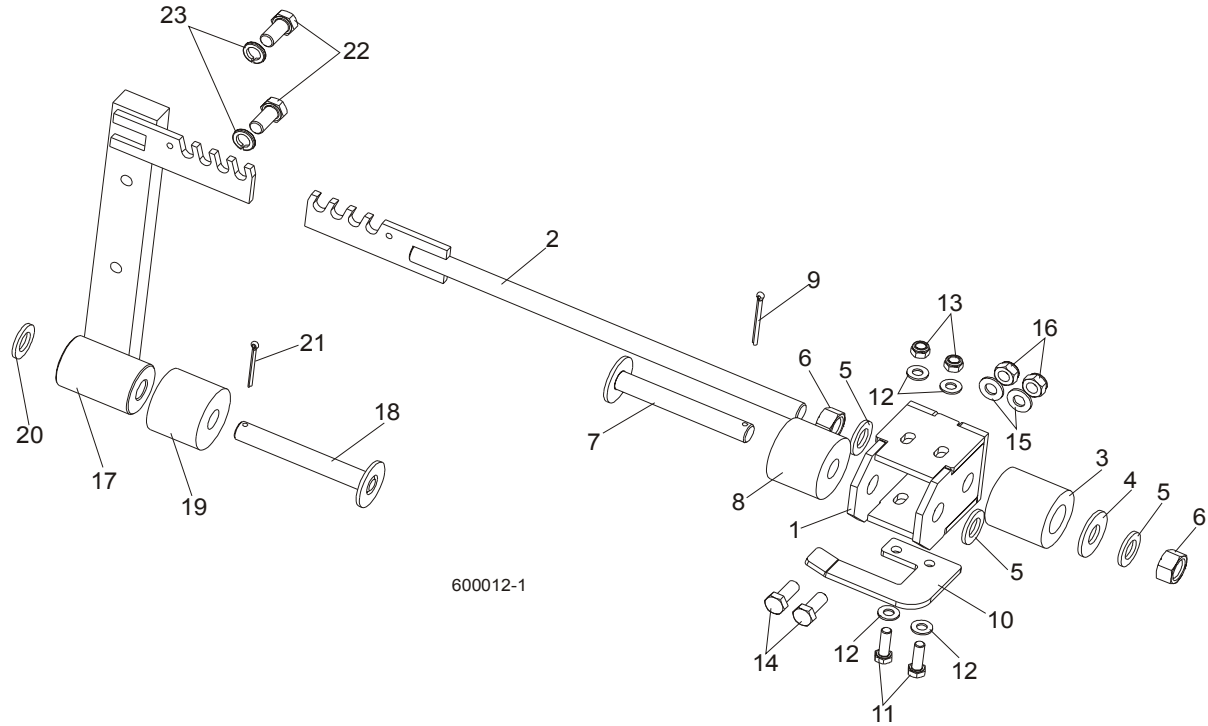
7	Block Assembly, Tandem Roller	088533	1	
8	Roller, CBK-468	088433	2	
9	Ring, Z30 Spring Retaining	F81090-23	2	
10	Block, Cam Follower Mount	088520	1	
11	Bearing, Cam Follower (McGill)	012797	2	
12	Washer, 16.3 Split Zinc Lock	F81058-2	2	
13	Nut, 5/8"-18 Zinc	F05010-11	2	
14	Washer, Z24.5 Split Zinc Lock	F81061-4	1	
15	Bolt, M24 x 2 x 90-8.8 Hex Head Full Thread Zinc	F81009-2	1	
16	Pin, Cam Follower Mount	088531	1	
17	Nut, M16-8 Hex Nylon Zinc Lock	F81036-2	1	
18	Fitting, M6 Straight Grease	086280	1	
	ROLLER ASSEMBLY, REAR UPPER TRACK	088529	1	
19	Block, Rear Upper Roller Mount	088528	1	
20	Spacer, Cam Follower	088536	1	
21	Bearing, Cam Follower (McGill)	012797	1	
22	Roller, CBK-468	088433	1	
23	Ring, Z30 Spring Retaining	F81090-23	1	
24	Washer, Z24.5 Split Zinc Lock	F81061-4	1	
25	Bolt, M24x2x90-8.8 Hex Head Full Thread Zinc	F81009-2	1	
26	COVER, TANDEM ROLLER	088526	1	
27	WASHER, 6.4 ZINC FLAT	F81053-1	4	
28	BOLT, M6X16 8.8 HEX HEAD FULL THREAD ZINC	F81001-15	4	
29	COVER, REAR UPPER ROLLER	088527	1	

7.2 Power Feed Assembly



REF	DESCRIPTION (◆ Indicates Parts Available In Assemblies Only)	PART #	QTY.
1	RA-0,5/7,5/D3/S/B8 I.3 koln.160/19 B14/1	088565	1
2	SCREW, M8x25 -8.8 HEX SOCKET HEAD CAP	F81002-21	4
3	SPROCKET, 10B Z15 ZINC	088541-1	1
4	SCREW, M8x8-33H HEX SOCKET SET FLAT POINT ZINC	F81014-1	2
5	SPROCKET, KSR 16.L0.10.10.14.08 W/BEARING	088867	2
6	PIN, ZINC SPROCKET MOUNT	088994-1	2
7	WASHER, 17 ZINC FLAT	F81058-1	2
8	NUT, M16-8 HEX NYLON ZINC LOCK	F81036-2	2
9	BRACKET, POWER FEED SPROCKET MOUNT	088507-1	1
10	SPACER, POWER FEED SPROCKET	088550-1	1
11	BOLT, M10x75-8.8 HEX HEAD ZINC	F81003-15	2
12	WASHER, 10.5 ZINC FLAT	F81055-1	4
13	NUT, M10-8-B HEX NYLON ZINC LOCK	F81033-1	2

7.3 Feed Chain/Stop



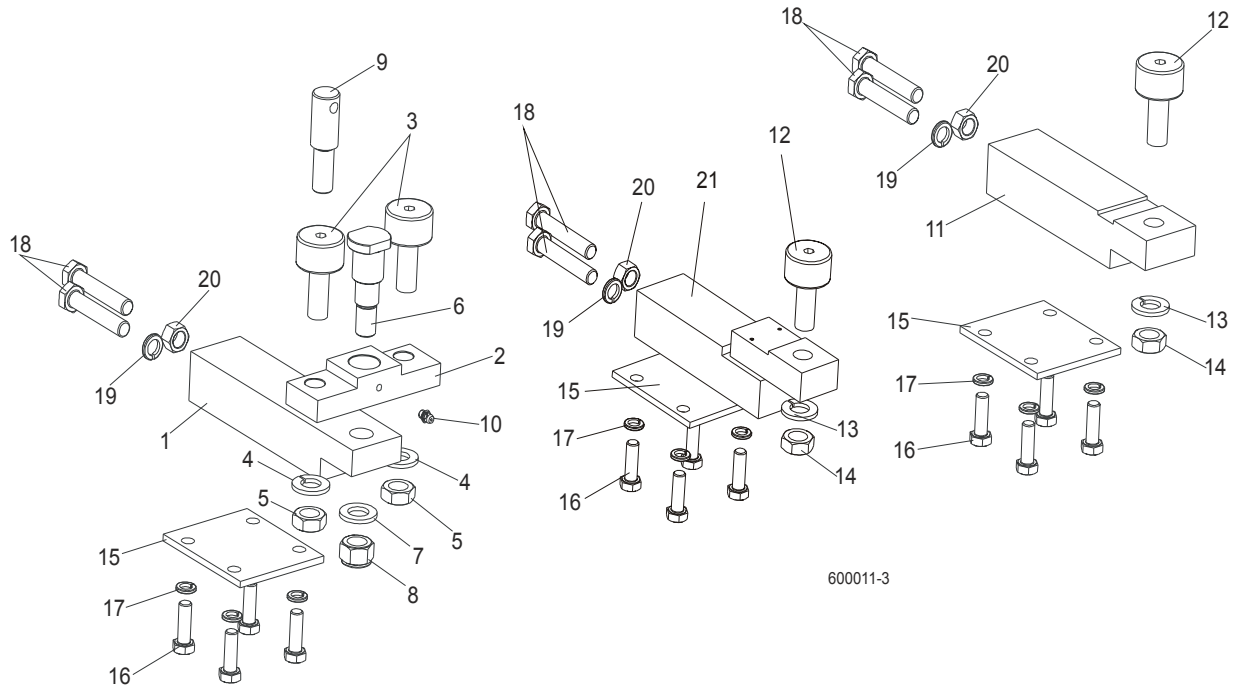
REF	DESCRIPTION (◆ Indicates Parts Available In Assemblies Only)	PART #	QTY.
1	MOUNT WELDMENT, FRONT CARRIAGE STOP	089365-1	1
2	TENSIONER WELDMENT, POWER FEED CHAIN	089364-1	1
3	SPRING, LT15 BLADE TENSIONER	014828	1
4	WASHER, ZINC SPECIAL	089360-1	1
5	WASHER, 17 ZINC FLAT	F81058-1	3
6	NUT, M16-5.8 ZINC HEX	F81036-1	2
7	PIN, RUBBER CARRIAGE STOP	089361-1	1
8	BUSHING, RUBBER STOP	P12165	1
9	PIN, S-Zn 4x25 COTTER	F81043-2	1
10	BRACKET, LIMIT SWITCH	086473-1	1
11	BOLT, M8X25-8.8-B HEX HEAD FULL THREAD ZINC	F81002-5	2
12	WASHER, 8.4 ZINC FLAT	F81054-1	4
13	NUT, M8-8-B HEX NYLON ZINC LOCK	F81032-2	2
14	BOLT, M10X25 8.8 HEX HEAD FULL THREAD	F81003-31	2
15	WASHER, 10.5 ZINC FLAT	F81055-1	2
16	NUT, M10-8-B HEX NYLON ZINC LOCK	F81033-1	2
	STOP ASSEMBLY, REAR POWER FEED	089362	1
17	Stop Weldment, Rear Power Feed	088346-1	1
18	Pin, Rubber Carriage Stop	089361-1	1
19	Bushing, Rubber Stop	P12165	1

7 Feed System & Track Rollers

Feed Chain/Stop

20	Washer, 17 Zinc Flat	F81058-1	1	
21	Pin, S-Zn 4x25 Cotter	F81043-2	1	
22	BOLT, M12X25-8.8 HEX HEAD FULL THREAD ZINC	F81004-31	2	
23	WASHER, 13 ZINC FLAT	F81056-1	2	
	CHAIN, 10B-1 POWER FEED	088670	1	
	LINK, 10B-1PZ MASTER	088671	2	

7.4 Lower Track Rollers



REF	DESCRIPTION (◆ Indicates Parts Available In Assemblies Only)	PART #	QTY.
	BLOCK ASSEMBLY, VERTICAL MAST ALIGNMENT DOUBLE	088523	1
1	Block, Vertical Mast Alignment Double	088517	1
2	Block, Cam Follower Mount	088520	1
3	Bearing, Cam Follower (McGill)	012797	2
4	Washer, 16.3 Split Zinc Lock	F81058-2	2
5	Nut, 5/8"-18 Zinc	F05010-11	2
6	Pin, Cam Follower Mount	088521	1
7	Washer, 17 Zinc Flat	F81058-1	1
8	Nut, M16-8 Hex Nylon Zinc Lock	F81036-2	1
9	Pin, Safety Lock	088519	1
10	Fitting, M6 Straight Grease	086280	1
	BLOCK ASSEMBLY, VERTICAL MAST ALIGNMENT SINGLE	088524	1
11	Block, Vertical Mast Alignment Single	088518	1
12	Bearing, Cam Follower (McGill)	012797	1
13	Washer, 16.3 Split Zinc Lock	F81058-2	1
14	Nut, 5/8"-18 Zinc	F05010-11	1
15	PLATE, LOWER TRACK ROLLER RETAINER	088516	2
16	BOLT, M10X30-5.8 HEX HEAD FULL THREAD ZINC	F81003-2	8
17	WASHER, 10.2 SPLIT ZINC LOCK	F81055-2	8
18	BOLT, M12X1.25X65-8.8 HEX HEAD FULL THREAD ZINC	F81004-40	4
19	WASHER, Z12.2 SPLIT ZINC LOCK	F81056-2	2

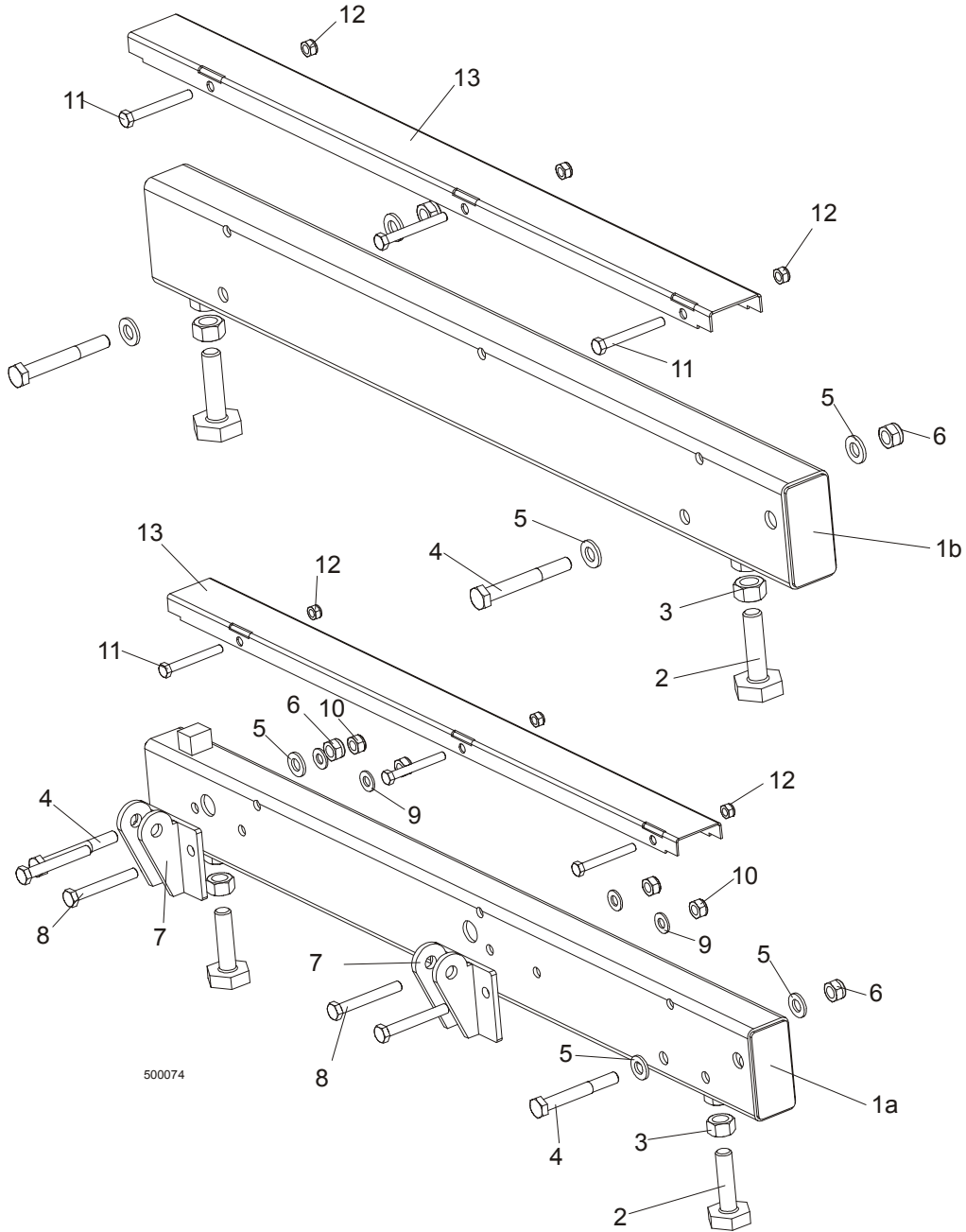
7 Feed System & Track Rollers

Lower Track Rollers

20	NUT, M12X1.25-8 ZINC HEX	F81034-8	2	
21	LOWER ROLLER BRACKET	091425	1	

SECTION 8 BED FRAME ASSEMBLY

8.1 Bed Rail Assembly, Front and Rear



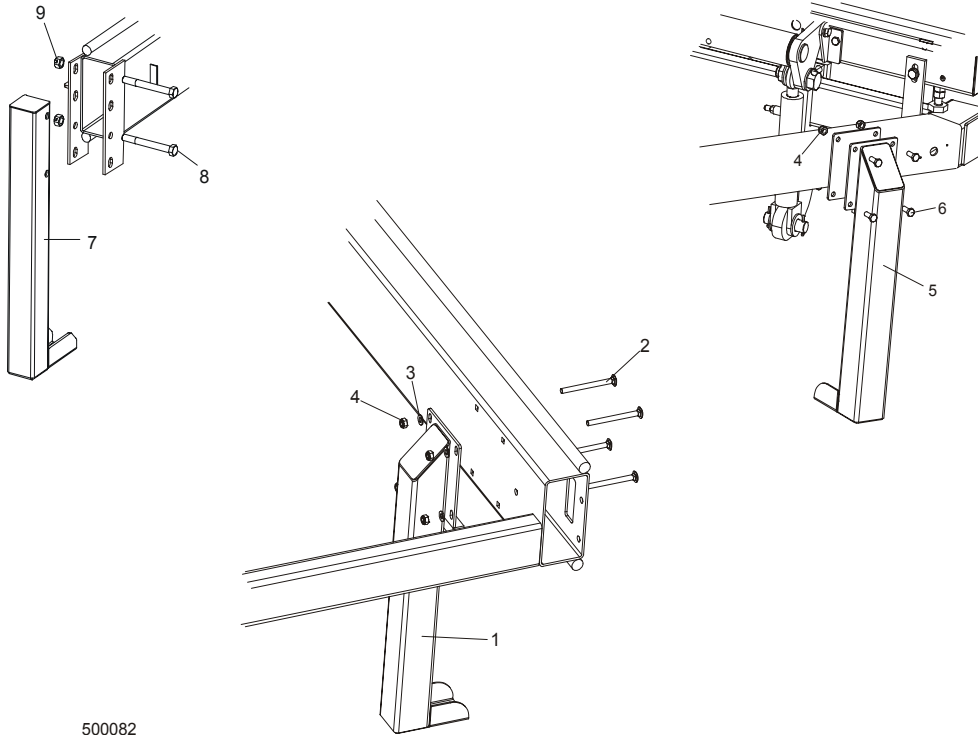
REF	DESCRIPTION (◆ Indicates Parts Available In Assemblies Only)	PART #	QTY.
	BED RAIL ASSEMBLY, LONG	089385	6

8

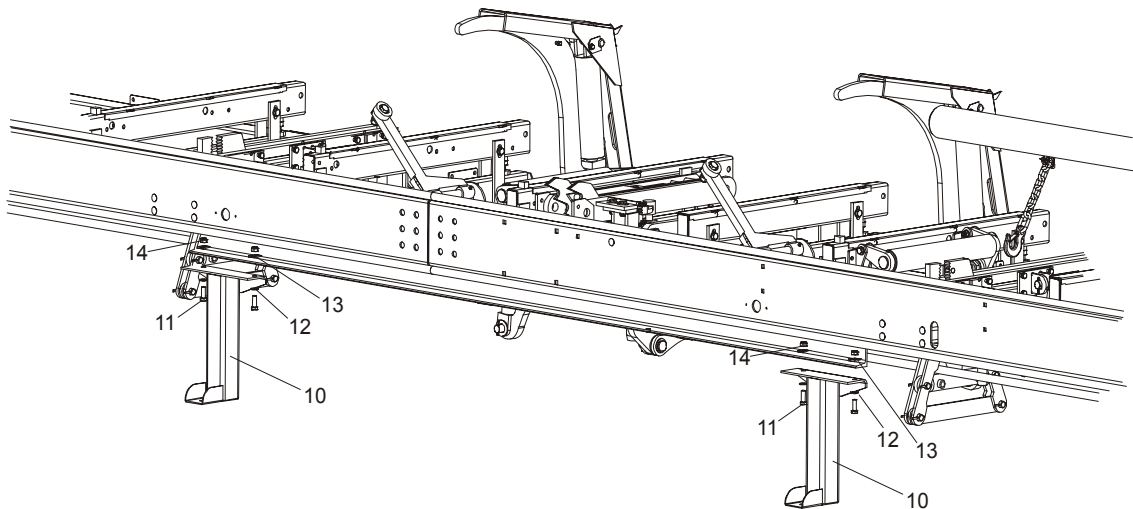
BED FRAME ASSEMBLY*Bed Rail Assembly, Front and Rear*

1a	Bed Rail Tube, Long	087433	1	◆
2	Bolt, M16 Bed Rail Adjustment	086809	2	
3	Nut, M16-5-B Hex	F81036-5	2	
	BED RAIL ASSEMBLY, SHORT	089386	2	
1b	Bed Rail Tube, Short	087878	1	◆
2	Bolt, M16 Bed Rail Adjustment	086809	2	
3	Nut, M16-5-B Hex	F81036-5	2	
4	BOLT, M12x90-8.8 ZINC HEX HEAD	F81004-2	2	
5	WASHER, 13 FLAT ZINC	F81056-1	4	
6	NUT, M12-8 HEX NYLON ZINC LOCK	F81034-2	2	
7	BRACKET, TOE BOARD ROLLER MOUNT	087903-1	2	
8	BOLT, M10x75-8.8 ZINC HEX HEAD	F81003-15	4	
9	WASHER, 10.5 FLAT ZINC	F81055-1	4	
10	NUT, M10-8-B HEX NYLON ZINC LOCK	F81033-1	4	
11	BOLT, M8 x 65-5.8 ZINC HEX HEAD	F81002-3	3	
12	NUT, M8-8-B HEX NYLON ZINC LOCK	F81032-2	3	
13	COVER, STAINLESS STEEL BED RAIL	S09944	1	

8.2 Leg, Stationary



500082

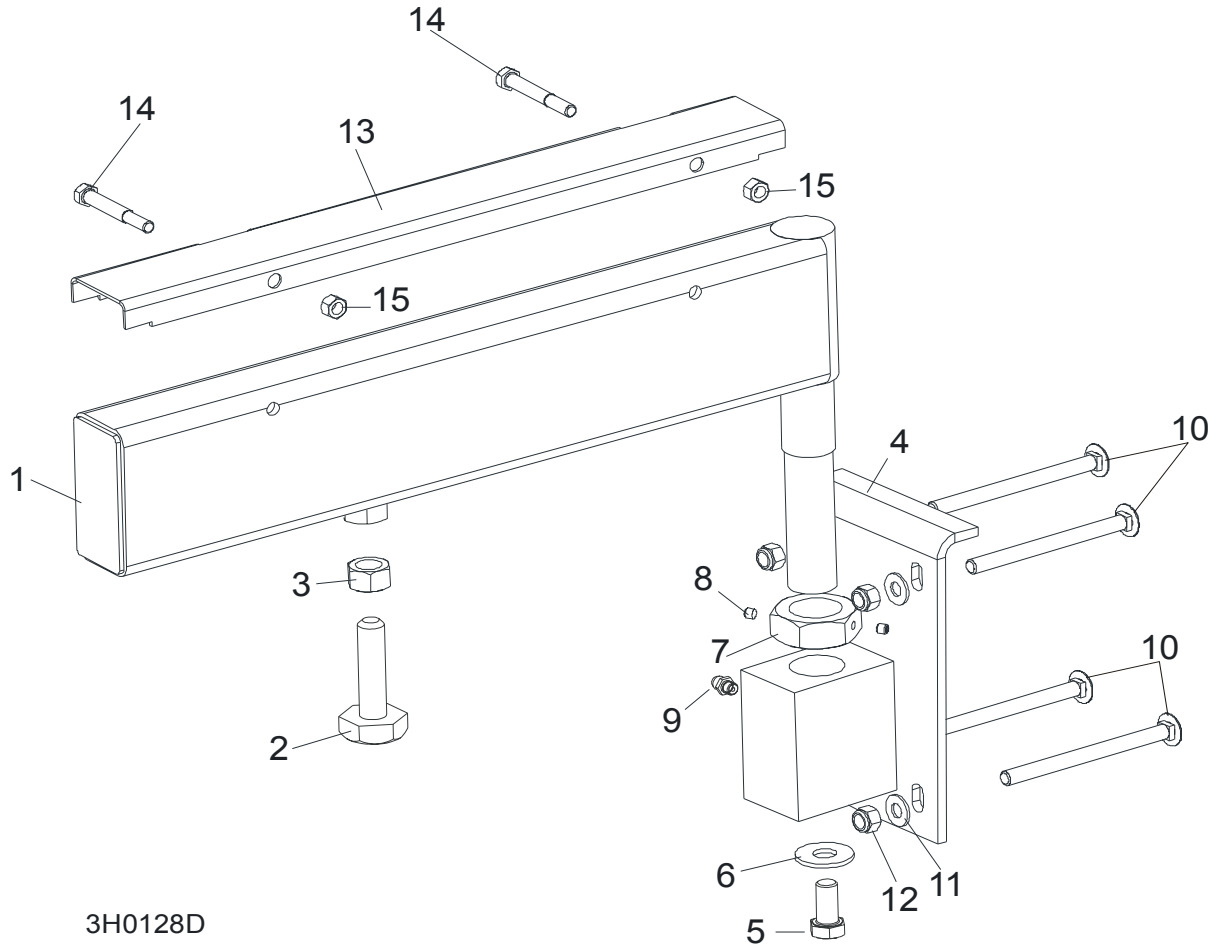


REF	DESCRIPTION (◆ Indicates Parts Available In Assemblies Only)	PART #	QTY.
1	LEG, LONG STATIONARY	087451-1	1
2	BOLT, M10X120 8.8 ZINC MUSHROOM HEAD SQUARE NECK	F81003-33	4
3	WASHER, 10.5 FLAT ZINC	F81055-1	4

8**BED FRAME ASSEMBLY***Leg, Stationary*

4	NUT, M10-8-B HEX NYLON ZINC LOCK	F81033-1	32	
5	LEG, LEFT STATIONARY	087450-1	7	
6	BOLT, M10X25-8.8 ZINC HEX HEAD	F81003-11	28	
7	LEG, FRONT STATIONARY	087452-1	1	
8	BOLT, M16 X 140 - 8.8 HEX HEAD	F81006-4	2	
9	NUT, M16-8 HEX NYLON LOCK	F81036-2	2	
10	LEG, MIDDLE STATIONARY	087093-1	2	
11	BOLT, M12X35-8.8	F81004-24	4	
12	WASHER, 13 FE/ZN5	F81056-1	4	
13	WASHER, 14 SQUARE TAPER	F81055-13	4	
14	NUT, M12-8 HEX NYLON ZINC LOCK	F81034-2	4	

8.3 Pivot Bed Rail Assembly

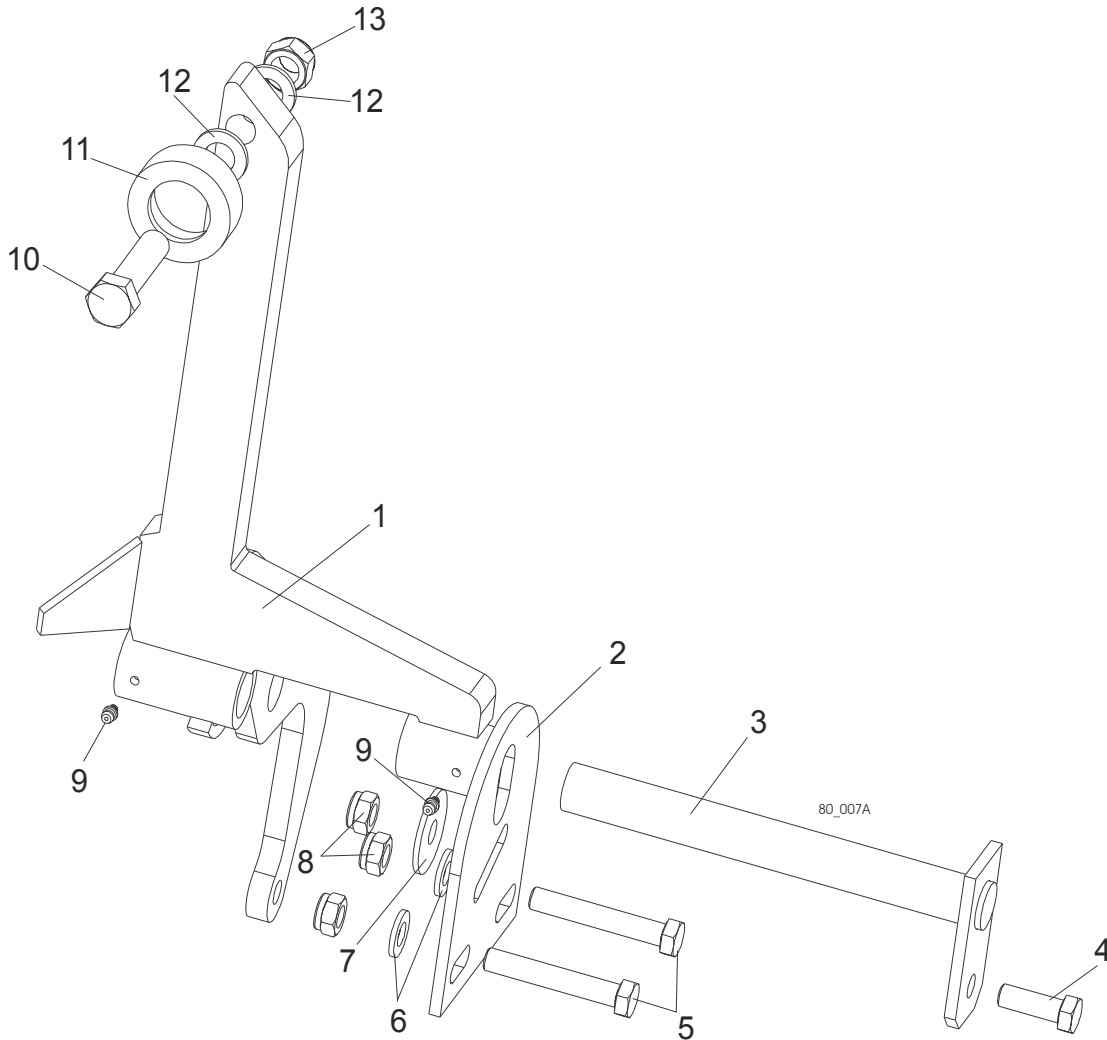


REF	DESCRIPTION (◆ Indicates Parts Available In Assemblies Only)	PART#	QTY.
	PIVOT BED RAIL, COMPLETE	087855	2
1	Pivot Bed Rail Assembly	087848-1	1
	Bolt Assembly, Bed Rail Adjustment		1
2	Bolt, Pivot Bed Rail Adjustment	086809	1
3	Nut, M16-5.8 Zinc Hex	F81036-1	1
4	Bracket, Pivot Bed Rail Mounting	087841-1	1
5	Bolt, M12x25-8.8 Hex Head Full Thread Zinc	F81004-31	1
6	Washer, 9/16" Zinc Flat	F05011-52	1
7	Nut, M32x2-04-B Zinc	087975	1
8	Screw, M6x8 Hex Socket Set Cone Point Zinc	F81013-1	2
9	Fitting, 3/16" Straight Grease	086280	1
10	BOLT, M10X125 8.8 MUSHROOM HEAD SQUARE NECK ZINC	F81003-34	4

8**BED FRAME ASSEMBLY***Pivot Bed Rail Assembly*

11	WASHER, 10.5 FLAT	F81055-1	8	
12	NUT, M16-8 HEX NYLON ZINC LOCK	F81036-2	8	
	COVER KIT, STAINLESS STEEL PIVOT BED RAIL	N/A	2	
13	Cover, Pivot Bed Rail	S13012	1	
14	Bolt, M8x65-5.8 Hex Head Zinc	F81002-3	2	
15	Nut, M8-8-B Hex Nylon Zinc Lock	F81032-2	2	
	WRENCH, BED RAIL ADJUSTMENT (Patrz rozdział 8.3)	015970	1	

8.4 Log Side Support Assembly



REF	DESCRIPTION (◆ Indicates Parts Available In Assemblies Only)	PART #	QTY.
	HYDRAULIC LOG SIDE SUPPORT		4
1	Support, Log Side	085578	1
2	Plate, Log Side Support End	S09148	1
3	Pin Weldment, Log Side Support	W09238	1
4	Bolt, M12x35-8.8 Hex Head Full Thread Zinc	F81004-24	1
5	Bolt, M12x75-8.8 Hex Head Zinc	F81004-21	2
6	Washer, 13 Zinc Flat	F81056-1	2
7	Washer, 45/13 Special	086184	1
8	Nut, M12-8 Hex Nylon Zinc Lock	F81034-2	3
9	Fitting, 3/16" Straight Grease	P04107	2
10	Bolt, M16x65-8.8-B Hex Head Full Thread Zinc	F81006-1	1

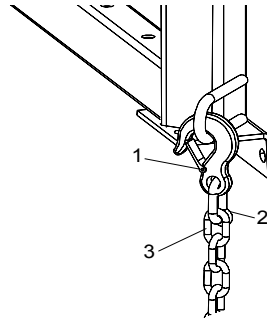
8 **BED FRAME ASSEMBLY**

Log Side Support Assembly

11	Roller, Log Side Support	015015	1	
12	Washer, 17 Zinc Flat	F81058-1	2	
13	Nut, M16-8 Hex Nylon Zinc Lock	F81036-2	1	

8.5 Tie Down Chain Assembly

SM0129

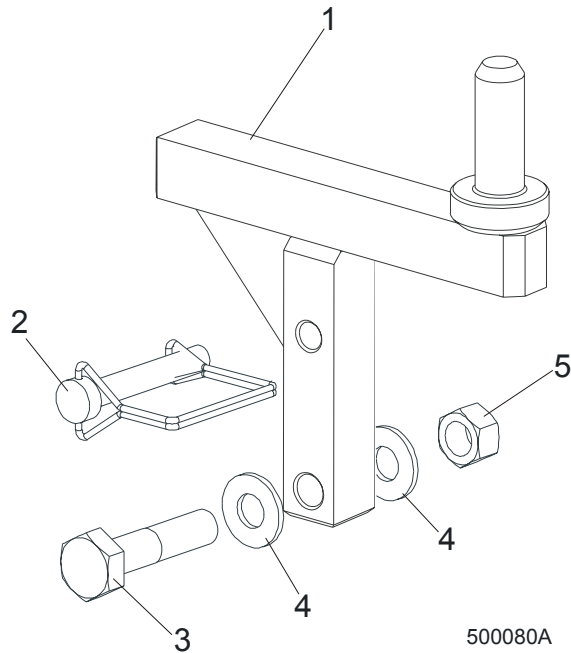


REF	DESCRIPTION (◆ Indicates Parts Available In Assemblies Only)	PART #	QTY.	
	CHAIN ASSEMBLY, TIE DOWN	A04376	1	
1	Hook, 5/8" Safety Chain	P12075	1	◆
2	Link, 3/8" Lap	014457	1	◆
3	Chain, n-10 x 35	R80558	.28 m	◆

8 BED FRAME ASSEMBLY

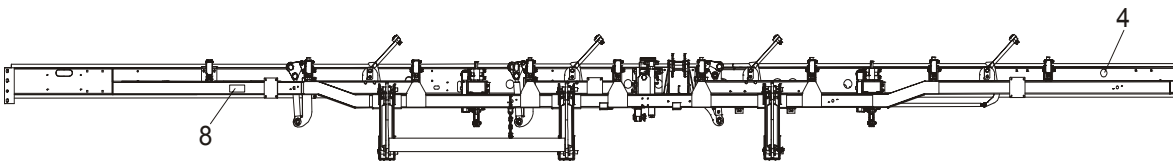
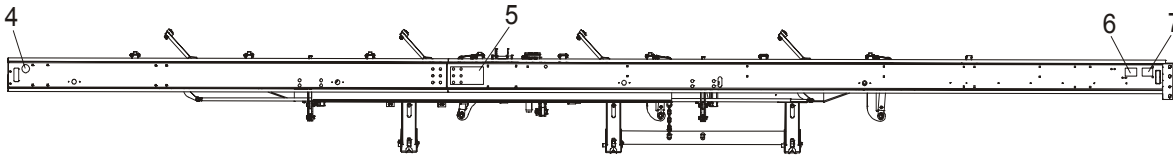
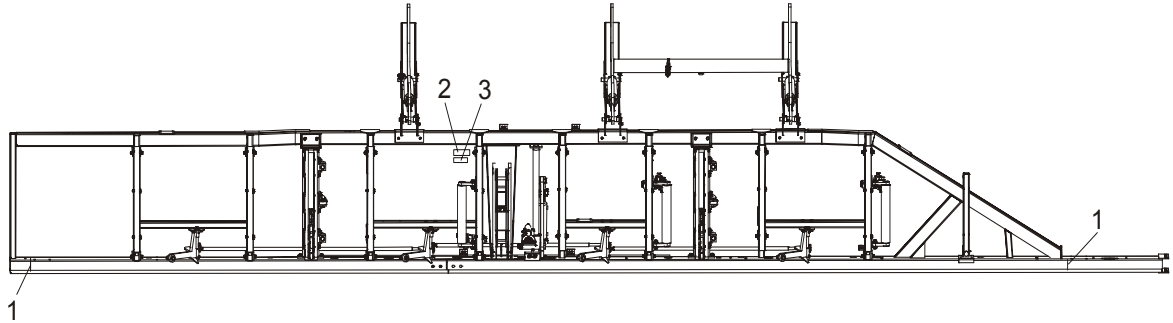
Saw Head Rest Pin Assembly

8.6 Saw Head Rest Pin Assembly



REF	DESCRIPTION (◆ Indicates Parts Available In Assemblies Only)	PART #	QTY.	
1	PIN, LT80 SAW HEAD REST	090004-1	1	
2	PIN, 3/8" X 2 1/4" SQUARE WIRE LOCK	014151	1	
3	BOLT, M12 X 60 8.8 HEX HEAD ZINC	F81004-5	1	
4	WASHER, 13 ZINC FLAT	F81056-1	2	
5	NUT, M12-8 HEX NYLON ZINC LOCK	F81034-2	1	

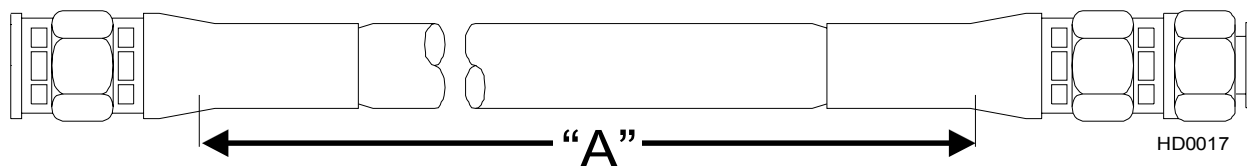
8.7 Bed Frame Decals



REF	DESCRIPTION (◆ Indicates Parts Available In Assemblies Only)	PART #	QTY.
1	DECAL, LOG LENGTH LIMIT	S12051	2
2	DECAL, HYDRAULIC OIL TYPE	085068	1
3	DECAL, HYDRAULIC WORKING PRESSURE	085069	1
4	DECAL, AMBER REFLECTIVE 2" ROUND	P07453	2
5	DECAL, PINCH POINT DANGER	P10287	1
6	DECAL, CE CERTIFIED SAWMILL, SMALL	P85070	1
7	DECAL, GS SAFETY CERTIFICATION, SMALL	P85072	1
8	DECAL, KEEP AWAY DANGER	S09851	1

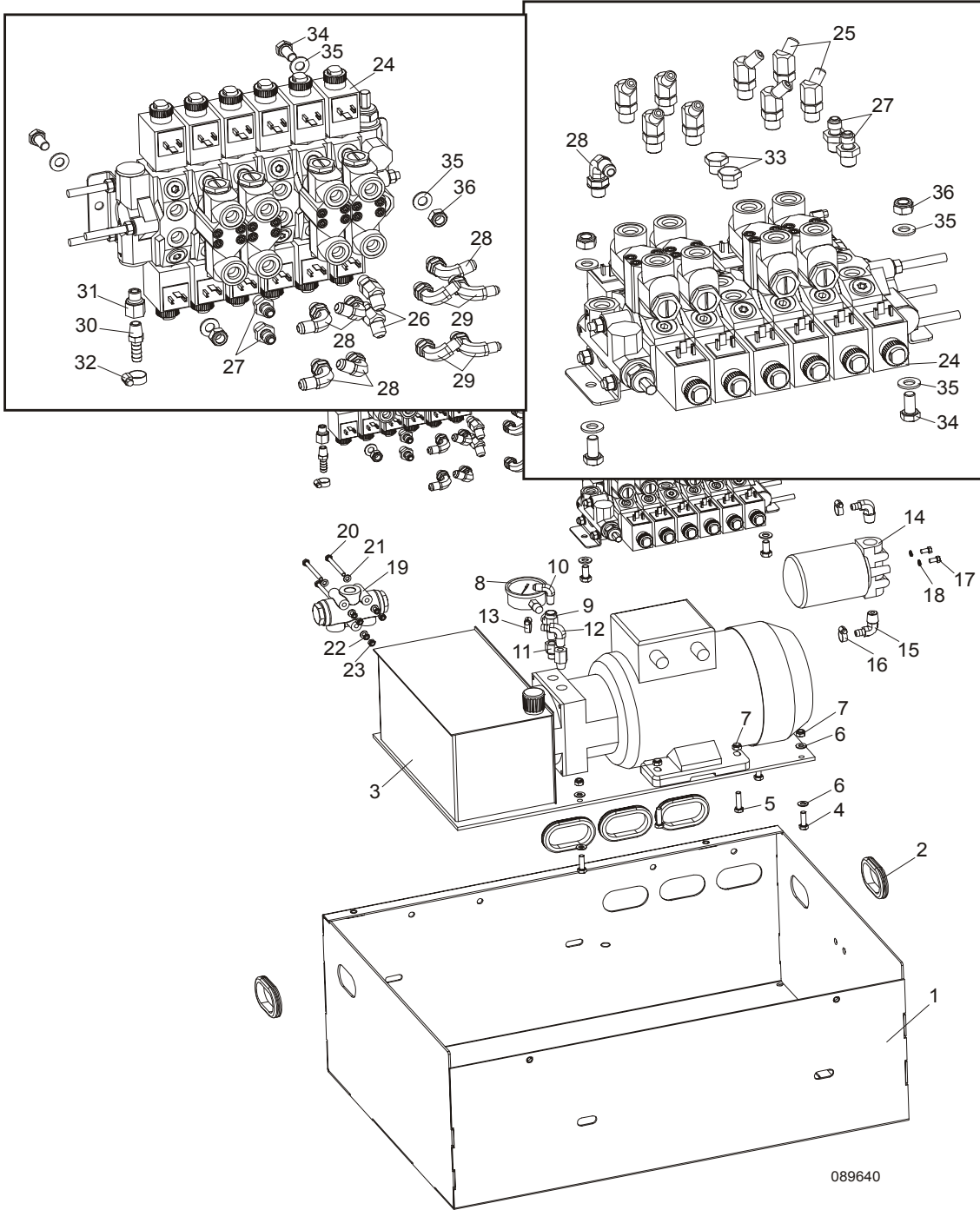
SECTION 9 HYDRAULIC SYSTEM

9.1 Hydraulic hoses, LT50 / LT80HD



COLOR CODE	LENGT H (m)	DESCRIPTION (◆ Indicates Parts Available In Assemblies Only)	PART #	QTY.
NONE	0,35	3/8" HYDRAULIC PUMP TO HYDRAULIC VALVE	089809	1
NONE	0,65	3/8" VALVE TO VALVE	089844	1
RED	0,43	3/8" SECTION TO OIL FLOW DIVIDER	089845	1
ORANGE	2,80	3/8" MIDDLE LOG CLAMP, IN/OUT CYLINDER (CLAMP OUT)	089846	1
WHITE	3,00	3/8" MIDDLE LOG CLAMP, IN/OUT CYLINDER (CLAMP IN)	089847	1
NONE/PINK	5,40	3/8" HYDRAULIC VALVE TO LOG SIDE SUPPORT CYLINDER	089848	2
BROWN/LILAC	4,10	3/8" LOG SIDE SUPPORT VALVE TO LOG TURNER	089849	2
YELLOW	1,80	3/8" 3RD LOG LOADER CYLINDER (SINGLE LOADING ARM) BOTTOM TO OIL FLOW DIVIDER	089850	1
BLUE	0,72	3/8" HYDRAULIC VALVE TO 1ST TEE CONNECTOR (NEXT TO LOG TURNER)	089851	1
GREEN/YEL- LOW GREEN	1,20	3/8" 3RD TEE CONNECTOR TO 2ND LOG LOADER CYLINDER TOP/BOTTOM 3/8" 1ST TEE CONNECTOR TO 3RD LOG LOADER CYLINDER TOP	089852	3
RED	2,00	3/8" OIL FLOW DIVIDER TO 2ND TEE CONNECTOR	089853	1
YELLOW	2,10	3/8" 2ND TEE CONNECTOR TO 1ST LOG LOADER CYLINDER BOTTOM	089854	1
BLUE	1,60	3/8" 1ST TEE CONNECTOR TO 3RD TEE CONNECTOR	089855	1
GREEN	1,90	3/8" 3RD TEE CONNECTOR TO 1ST LOG LOADER CYLINDER TOP	089856	1
LILAC/BLACK	2,55	1/4" 3RD TOE BOARD	089859	2
LILAC/BLACK	0,85	1/4" 2ND TOE BOARD	089860	2
BROWN/SIL- VER	4,10	1/4" 1ST TOE BOARD	089861	2
YELLOW	3,85	1/4" MIDDLE LOG CLAMP, UP/DOWN CYLINDER BOTTOM	089862	1
GREEN	3,95	1/4" MIDDLE LOG CLAMP, UP/DOWN CYLINDER TOP	089863	1
ORANGE	4,20	1/4" 1ST LOG CLAMP IN/OUT (CLAMP OUT)	089864	1
WHITE	4,40	1/4" 1ST LOG CLAMP IN/OUT (CLAMP IN)	089865	1
BLUE/RED	4,90	1/4" 1ST LOG CLAMP UP/DOWN	089866	2
WHITE/ORAN GE	2,70	1/4" 3RD LOG CLAMP IN/OUT	089867	2
BLUE/RED	0,60	1/4" 3RD LOG CLAMP UP/DOWN	089868	2

9.2 Hydraulic Box, LT50AHD / LT80AHD (AC)



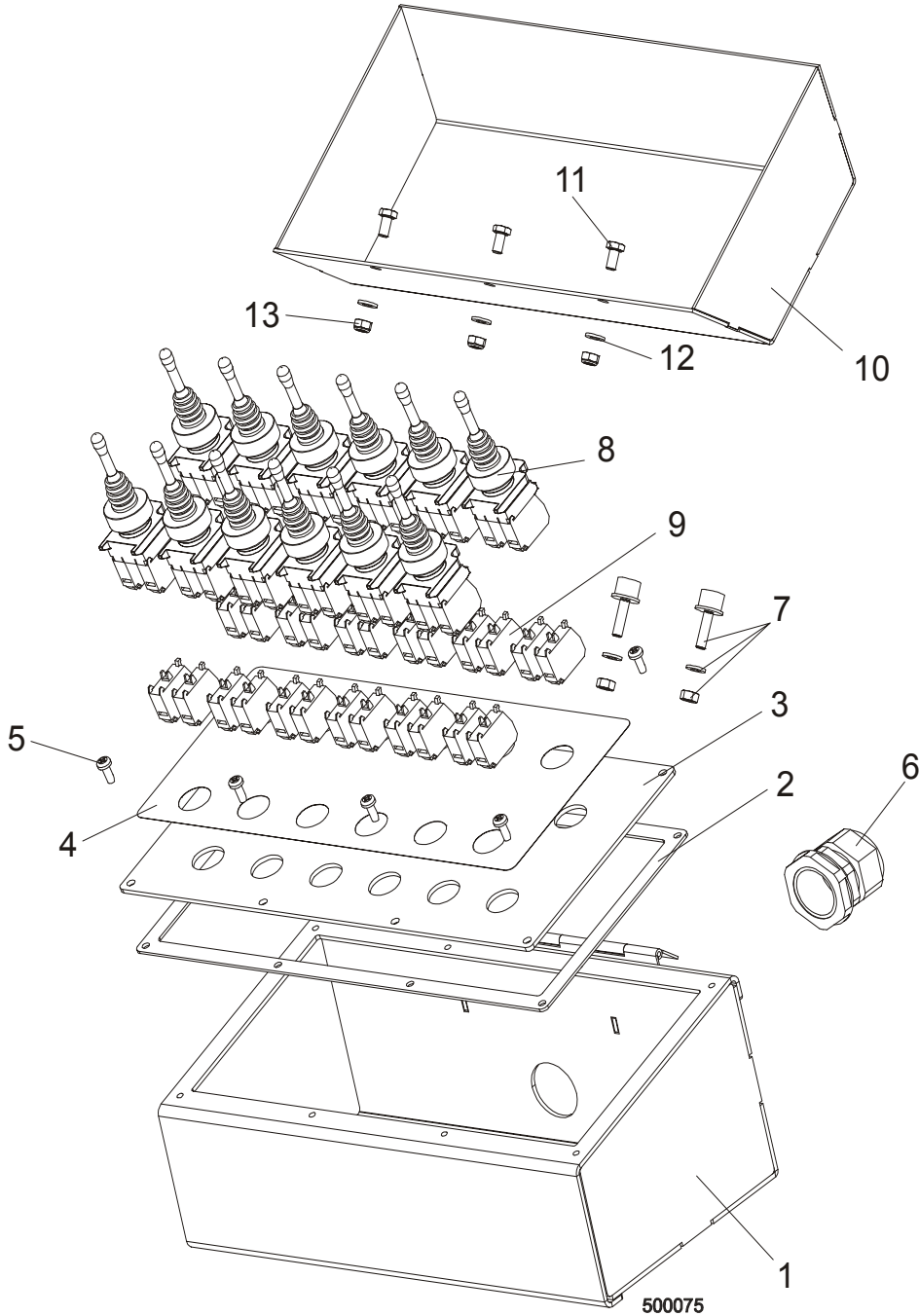
REF	DESCRIPTION (◆ Indicates Parts Available In Assemblies Only)	PART #	QTY.
	BOX, 9.5 M AC HYDRAULIC	089640	1

9

HYDRAULIC SYSTEM*Hydraulic Box, LT50AHD / LT80AHD (AC)*

1	Box Weldment, 9.5 M AC Hydraulic	089636-1	1	
2	Grommet, FM54 Rubber	087065	5	
3	FEEDER, 4KW 14.5 L/MIN. AC HYDRAULIC W/PUMP	086789	1	
4	Bolt, M8X25-8.8-B Zinc Hex Head	F81002-5	4	
5	Bolt, M8X30-8.8-B Zinc Hex Head	F81002-7	4	
6	Washer, 8.4 Flat Zinc	F81054-1	8	
7	Nut, M8-8-B Zinc Hex Nylon Lock	F81032-2	8	
8	Gauge, 3000 PSI Oil Pressure	P10052	1	
9	Fitting, C3759X4 Tee Connector	P09141	1	
10	Elbow Fitting, Log Clamp	015491	1	
11	Fitting, #6SEA MALE - 1/4NPT Female	014686	1	
12	Fitting, #6-6 (3/8" NPT) - 3/8" Elbow	P12708	1	
13	Clamp, 11/16 HOSE	P12739	1	
14	BRANCH-JOINT, HYDRAULIC WITH 1.2" FILTER	P22683	1	
15	Fitting, 1/2" NPT - 3/8" Elbow	P12707	2	
16	Clamp, 11/16 Hose	P12739	2	
17	Bolt, 1/4-20 X 1/2" Zinc Hex Head Grade 2	F05005-15	2	
18	Washer, Z 6.1 Split Lock Zinc	F81053-3	2	
19	DIVIDER, MTD A 08-016M OIL FLOW	088191	1	
20	Bolt, M6X65-8.8 Zinc Hex Head	F81001-81	3	
21	Washer, 6.4 FLAT ZINC	F81053-1	6	
22	Washer, Z 6.1 Split Lock Zinc	F81053-3	2	
23	Nut, M6-8-B Hex Nylon Lock Zinc	F81031-2	3	
24	VALVE, HYDRAULIC 6-SECTION	033046	2	
25	Fitting, #4 SAE - #6 SAE 45° Elbow	015488	8	
26	Fitting, #6 SAE 45° Elbow 45ST #6SAE	015489	2	
27	Fitting, 3/8" O-RING - 1/4" JIC	P26284	4	
28	Fitting, #6 SAE 3/8" JIC Elbow	P12704	6	
29	Fitting, 90 9/16-18 JIC 7/16-20 JIC Elbow	089642	4	
30	Fitting, L" NPT X 3/8" Hose Barb	014685	2	
31	Fitting, #6SEA MALE - 1/4NPT Female	014686	1	
32	Clamp, 11/16 Hose	P12739	2	
33	Plug, 9/16-18 JIC Hydraulic Valve	089647	2	
34	Bolt, M10X20-5.8 Zinc Hex Head	F81003-1	4	
35	Washer, 10.5 Flat Zinc	F81055-1	8	
36	Nut, M10-8-B Hex Nylon Lock Zinc	F81033-1	4	

9.3 Hydraulic Control Box



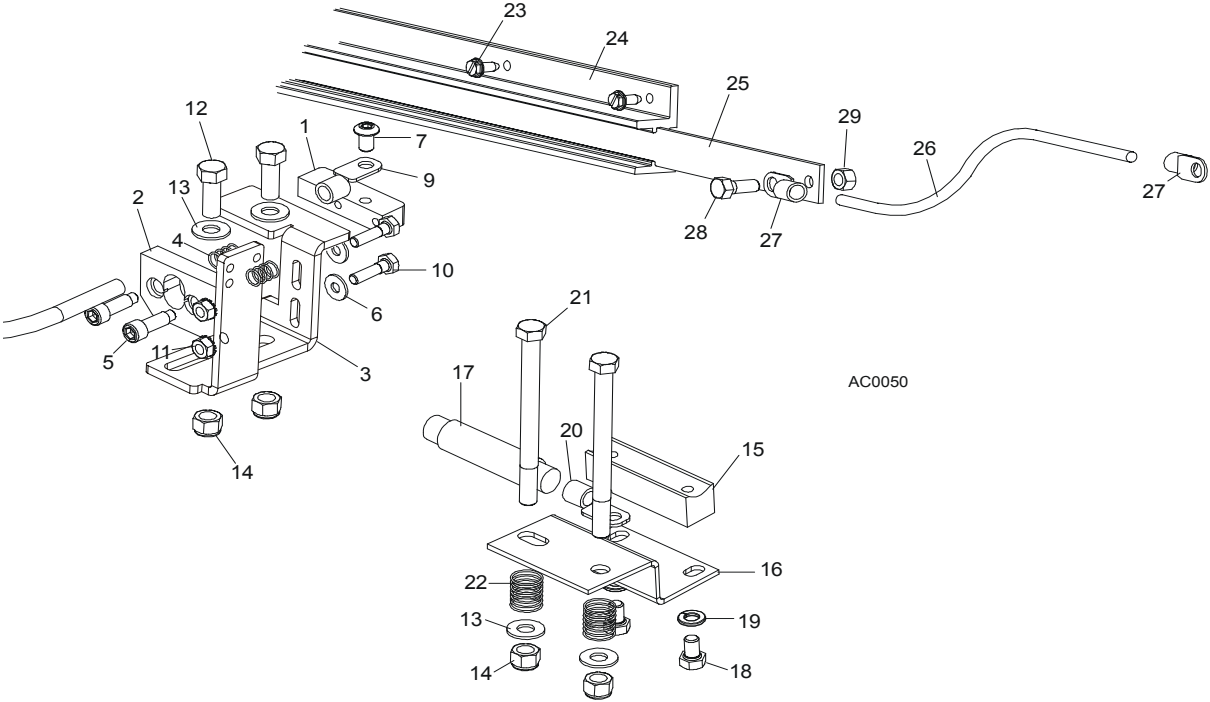
REF	DESCRIPTION (◆ Indicates Parts Available In Assemblies Only)	PART #	QTY.
	BOX, 9.5 M FRAME HYDRAULIC CONTROL	088164	1
1	Box Weldment, Hydraulic Control	088163-1	1
2	Gasket, 9.5 m Frame 9.5m	089998	1
3	Panel, Hydraulic Control Box Front 9.5 M	089997-1	1
4	Decal, Front panel 9M FRAME	088159	1

9 HYDRAULIC SYSTEM

Hydraulic Control Box

5	Screw, #10-24 x 1/2 Pan Head	F05015-17	8	
6	Seal, DP 29/H Gland	F81096-1	1	
7	Bumper, A/022 Rubber	088376	2	
8	Joystick, XD4PA22	087815	12	
9	Contact, ZBE101	087817	24	
10	Cover, Hydraulic Control Box - 9.5 M Frame	088172-1	1	
11	Bolt, M6X12-8.8 Zinc Hex Head	F81001-7	3	
12	Washer, 6.4 Flat Zinc	F81053-1	3	
13	Nut, M6-8-B Hex Nylon Lock Zinc	F81031-2	3	

9.4 Hydraulic Power Supply Strip



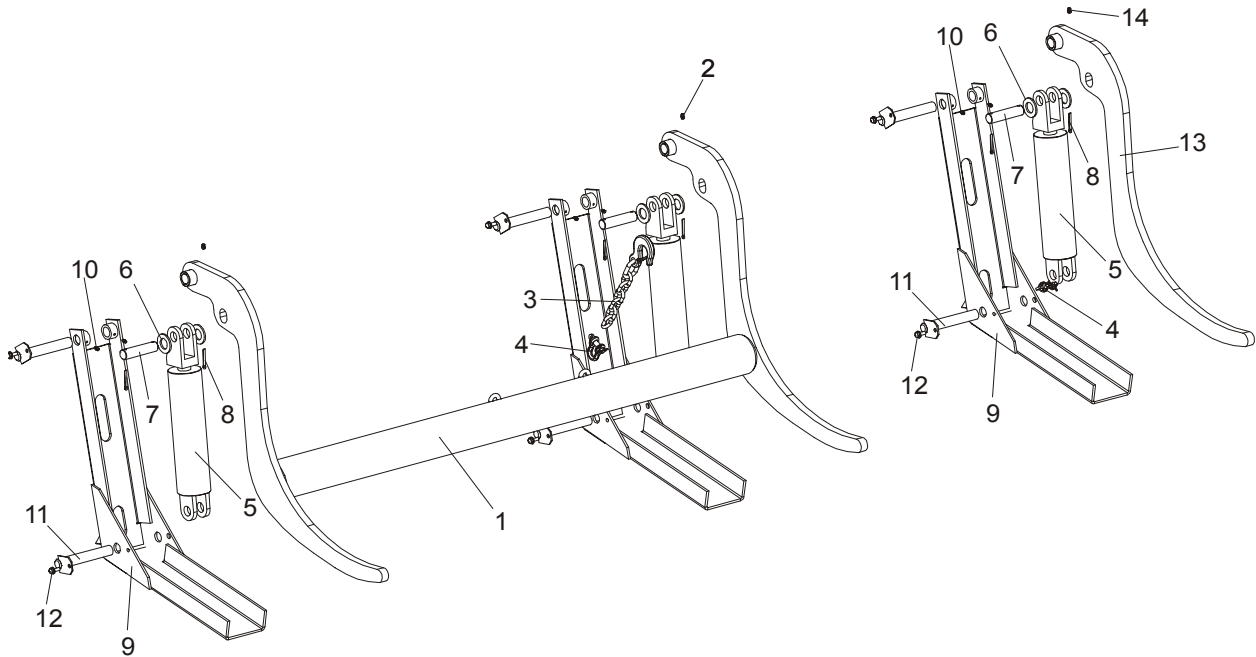
REF	DESCRIPTION (◆ Indicates Parts Available In Assemblies Only)	PART #	QTY.	
	CONTACT KIT, HYDRAULIC 6' POWER SUPPLY	A12042-N	1	
	Contact Hardware Kit	A10073-N	1	◆
	Contact Assembly, Hydraulic Power Supply (Positive)	085968	1	
1	Contact, Hydraulic Power Supply (Positive)	015253	1	
2	Insulator, Positive Contact	S10072	1	
3	Bracket, Positive Contact Mounting	086380-1	1	
4	Spring, Positive Contact	P10077	2	
5	Bolt, 5/16" X 3/4" Shoulder (1/4-20 Thread)	F05006-44	2	
6	Washer, 7.4 Flat	F81056-11	2	
7	Bolt, 5/16-18 x 1/2" Socket Button Head	F05006-20	1	
	Cable Assy, Hydraulic Positive Contact	015885	1	
8	Cable, #1 Weld	R01948	0.75m	◆
9	Terminal, 35 Ring #2 Gauge	F81066-3	2	
10	Bolt, 1/4-20 X 1" Hex Head Grade 2	F05005-38	2	
11	Nut, 1/4-20 Hex Self-Locking	F05010-9	2	
12	Bolt, 3/8-16 X 1" Hex Head Grade 5	F05007-87	2	
13	Washer, 10.5 Flat	F81055-1	4	
14	Nut, 3/8-16 Hex Nylon Lock	F05010-10	4	
	Contact Assembly, Hydraulic Power Supply (Ground)	A10066	1	
15	Contact, Hydraulic Power Supply (Ground)	015264	1	

9

HYDRAULIC SYSTEM*Hydraulic Power Supply Strip*

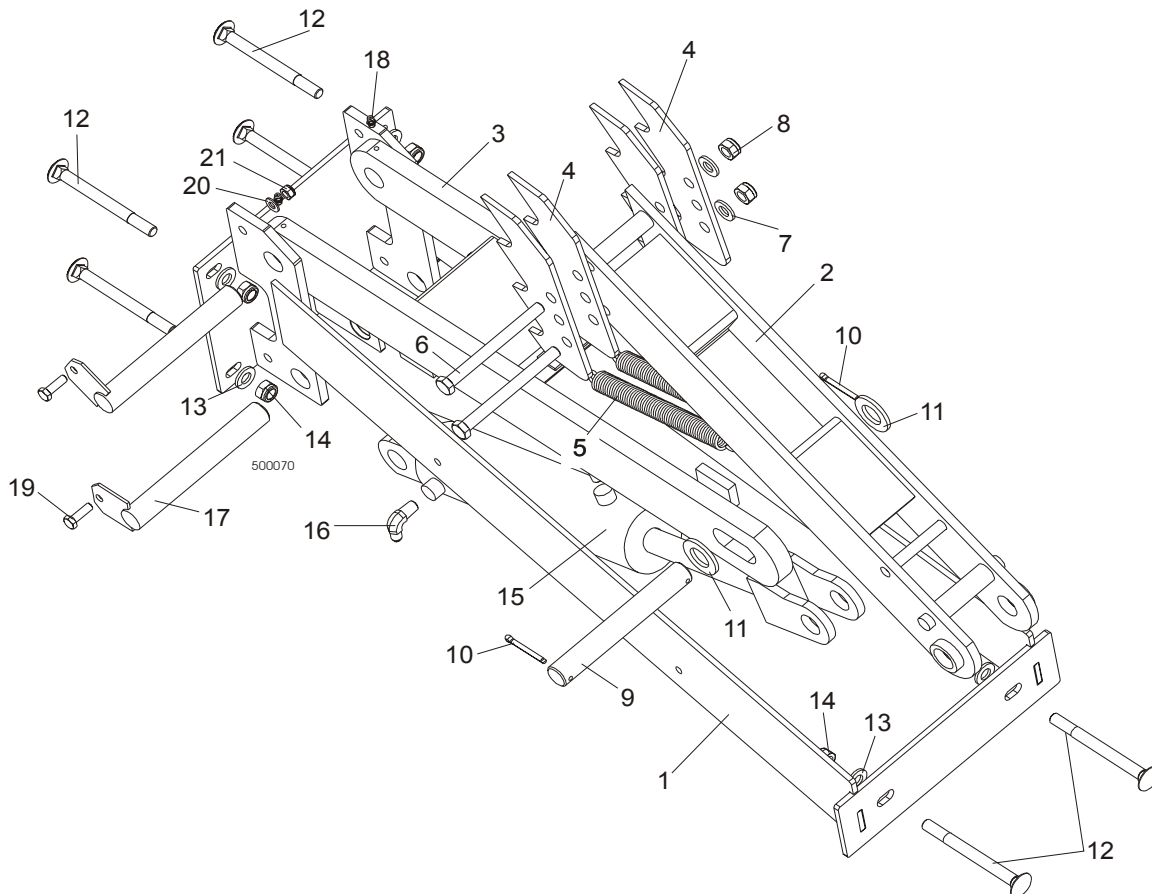
16	Bracket, Ground Contact Mounting	015265	1	
17	Cable, #1 Weld	R01948	.63m	◆
18	Bolt, 5/16-18 X 1/2" Hex Head Grade 5	F05006-15	2	
19	Washer, 8.2 Split Lock	F81054-4	2	
20	Terminal, 35 Ring #2 Gauge	F81066-3	1	
21	Bolt, 3/8-16 X 4 1/2" Hex Head Grade 2	F05007-35	2	
22	Spring, Ground Contact	P04282	2	
23	Screw, 1/4-20 X 1/2" Slotted Hex Head	F05015-1	14	
	Strip Assembly, 6' Hydraulic Power Supply w/3 ft. Cable	A11977	1	
24	Housing, 6' Contact Strip	P11976	1	
	Strip, 6' Contact With Cable	A12043-N	1	
25	Strip, 6' Contact	S10075	1	◆
26	Cable, #2 Weld	R80583-21		◆
27	Terminal, 35 Ring #2 Gauge	F81066-3	2	
28	Bolt, 5/16-18 X 3/4" Hex Head Black Nylon	F05006-45	1	
29	Nut, 5/16-18 Hex Black Nylon	F05010-86	1	
	Tube, 5/8" Heat Shrink	R01950-5	.03m	◆
	Grommet, 5/8" Wire	P04137	1	

9.5 Hydraulic Log Loader



REF	DESCRIPTION (◆ Indicates Parts Available In Assemblies Only)	PART #	QTY.
	HYDRAULIC LOG LOADER, COMPLETE	090044	1
1	Log Loader	090006-1	1
2	Fitting, 3/16" Straight Grease	P04107	2
3	CHAIN, LOG LOADER SAFETY	A04376	1
4	SHACKLE, M-D .63	086540	1
5	CYLINDER, CJ-S95-16-70/32/203 HYDRAULIC	088680	3
6	WASHER, 28 FLAT ZINC	F81061-1	6
7	PIN, LOADING ARM CYLINDER MOUNT ZINC	086979-1	3
8	PIN, S-Zn 5x40 COTTER	F81043-31	6
9	Foot, Log Loader	090048-1	3
10	Fitting, 3/16" Straight Grease	P04107	6
11	PIN, LOADER FOOT MOUNT	W09446-1	6
12	SCREW, 5/16-18 x 3/4 SELF-TAPPING	F05015-30	6
	ARM, LOG LOADING SINGLE - COMPLETE	090051	1
13	Rarm, hydraulic log loading	089657-1	1
14	Fitting, 3/16" Straight Grease	P04107	1

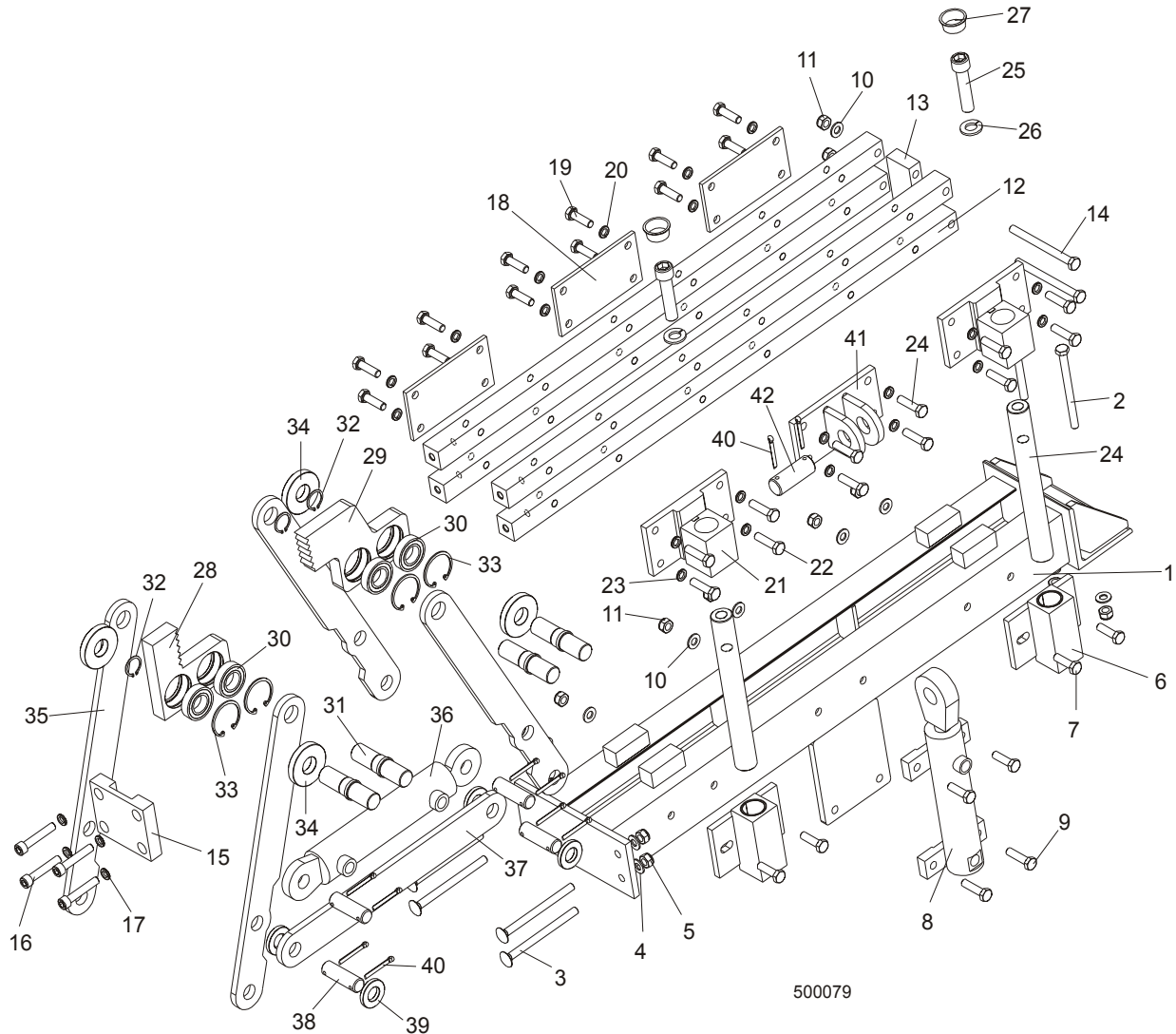
9.6 Hydraulic Log Turner



REF	DESCRIPTION (◆ Indicates Parts Available In Assemblies Only)	PART #	QTY.
	HYDRAULIC LOG TURNER, 9.5 M, COMPLETE	088073	1
1	Bracket, Hydraulic Log Turner Mount	088075-1	1
2	Arm, Hydraulic Log Turner	088067-1	1
3	Arm, Hydraulic Log Turner Link	088060-1	1
4	Claw, Hydraulic Log Turner	088082-1	4
5	Spring, Hydraulic Log Turner	P09136	2
6	Bolt, M12x130-8.8 Zinc Hex Head	F81004-36	2
7	Washer, 13 Flat Zinc	F81056-1	2
8	Nut, M12-8 Hex Nylon Lock	F81034-2	2
9	Pin, 25X180	088664-1	1
10	Pin, S-Zn 5x40 Cotter	F81043-31	2
11	Washer, 25 Flat Zinc	F81061-3	2
12	Bolt, M10x120 8.8 Zinc Mushroom Head Square Neck	F81003-33	2
13	Washer, 13 Flat Zinc	F81056-1	2
14	Nut, M12-8 Hex Nylon Zinc Lock	F81034-2	2

15	Cylinder, CJ-S305-16-63/28/203 Hydraulic	088679	1	
16	Fitting, 90° Elbow	P09142	2	
17	Pin, Log Turner Mount	088667-1	2	
18	Fitting, M6 Grease	086280	2	
19	Bolt, M8x25-8.8-B Zinc Hex Head	F81002-5	2	
20	washer, 8.4 Flat Zinc	F81054-1	2	
21	Nut, M8-8-B Hex Nylon Zinc Lock	F81032-2	2	

9.7 Hydraulic Log Clamp, Front and Rear



500079

REF	DESCRIPTION (◆ Indicates Parts Available In Assemblies Only)	PART #	QTY.
	CLAMP ASSEMBLY, HYDRAULIC	089545	2
1	Mount Weldment, Hydraulic Log Clamp	088654-1	1
2	Bolt, M10x125-8.8 Zinc Hex Head	F81003-18	2
3	Bolt, M10x130-8.8 Zinc Mushroom Head Square Neck	F81003-36	4
4	Washer, 10.5 Flat Zinc	F81055-1	6
5	Nut, M10-8-B Hex Nylon Zinc Lock	F81033-1	6
6	Block, Guide Pin	088639	2
7	Bolt, M10x35-8.8 Zinc Hex Head Full Thread	F81003-17	4
8	Cylinder, CJ7F-16-40/22 + UE2-40W Hydraulic	088662	1
9	Bolt, M10x40-8.8 Zinc Hex Head	F81003-16	4

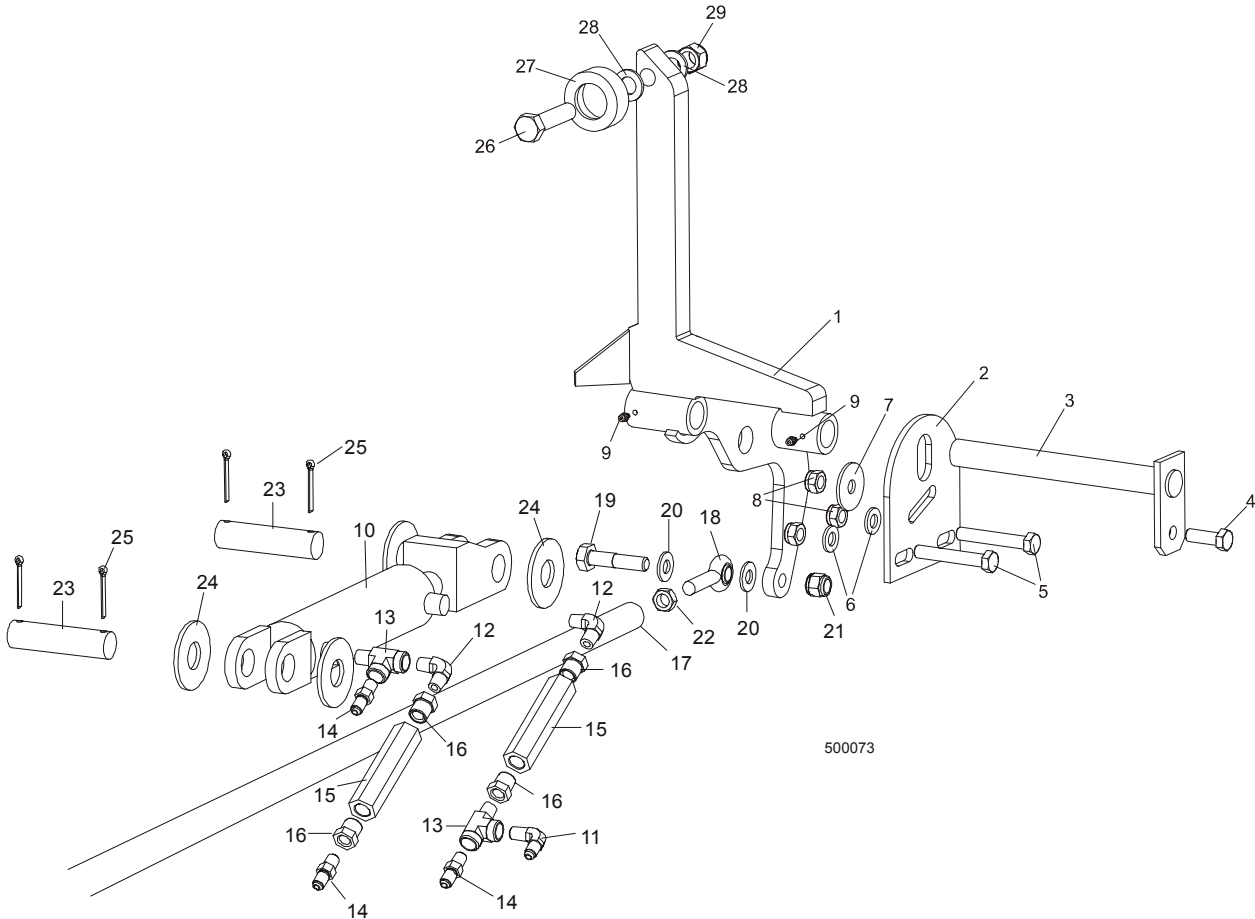
HYDRAULIC SYSTEM

Hydraulic Log Clamp, Front and Rear

9

10	Nut, M10-8-b Hex Nylon Zinc Lock	F81033-1	10	
11	Bar, Clamp Up/Down	089537-1	4	
12	Plate, Connecting	088645-1	1	
13	Bolt, M10x140-8.8 Zinc Hex Head	F81003-5	2	
14	Plate, Connecting	089533-1	1	
15	Bolt, M10x55-8.8 Zinc Hex Socket Head Cap	F81003-55	4	
16	Washer, 10.2 Split Lock Zinc	F81055-2	4	
17	Plate, Log Clamp Rear	089538-1	3	
18	Bolt, M10x35-8.8 Zinc Hex Head Full Thread	F81003-17	12	
19	Washer, 10.2 Split Lock Zinc	F81055-2	12	
20	Bracket, Guide Pin Mount	089536-1	2	
21	Bolt, M10x40-8.8 Zinc Hex Head Full Thread	F81003-16	8	
22	Washer, 10.2 Split Lock Zinc	F81055-2	8	
23	Pin, Clamp Up/Down Guide	088631	2	
24	Screw, M16x55-8.8 Zinc Hex Socket Head Cap	F81006-18	2	
25	Washer, 16.3 Split Lock Zinc	F81058-2	2	
26	Plug, M33 Thread	089839	2	
	Jaw, Log Clamp Narrow - Complete	088646	1	
27	Jaw, Log Clamp Narrow	088619	1	
30	Bearing, 6005 2RS CX	089652	4	
31	Shaft, Clamp Jaw Guide	088620-1	4	
32	Ring, Z24 Spring Retaining	089654	4	
33	Ring, W47 Spring Retaining	089653	4	
	Jaw, Log Clamp Wide - Complete	088647	1	
29	Jaw, Log Clamp Wide	088621-1	1	
30	Bearing, 6005 2RS CX	089652	4	
31	Shaft, Clamp Jaw Guide	088620-1	4	
32	Ring, Z24 Spring Retaining	089654	4	
33	Ring, W47 Spring Retaining	089653	4	
34	Washer, Clamp Jaw Spacer	089542	4	
35	Bar, Clamp In/Out Side	088622-1	4	
36	Cylinder, SJ2F-40/22/145 Hydraulic	088661	1	
37	Bar, Clamp In/Out Lower	088623-1	1	
38	Pin, 20X75	088657-1	4	
39	Spacer, Lower	089541	4	
40	Pin, S-Zn 5x40 Cotter	F81043-31	10	
41	Bracket, Vertical Cylinder Mount Upper	089540-1	1	
42	Pin, 25X75	088659-1	1	

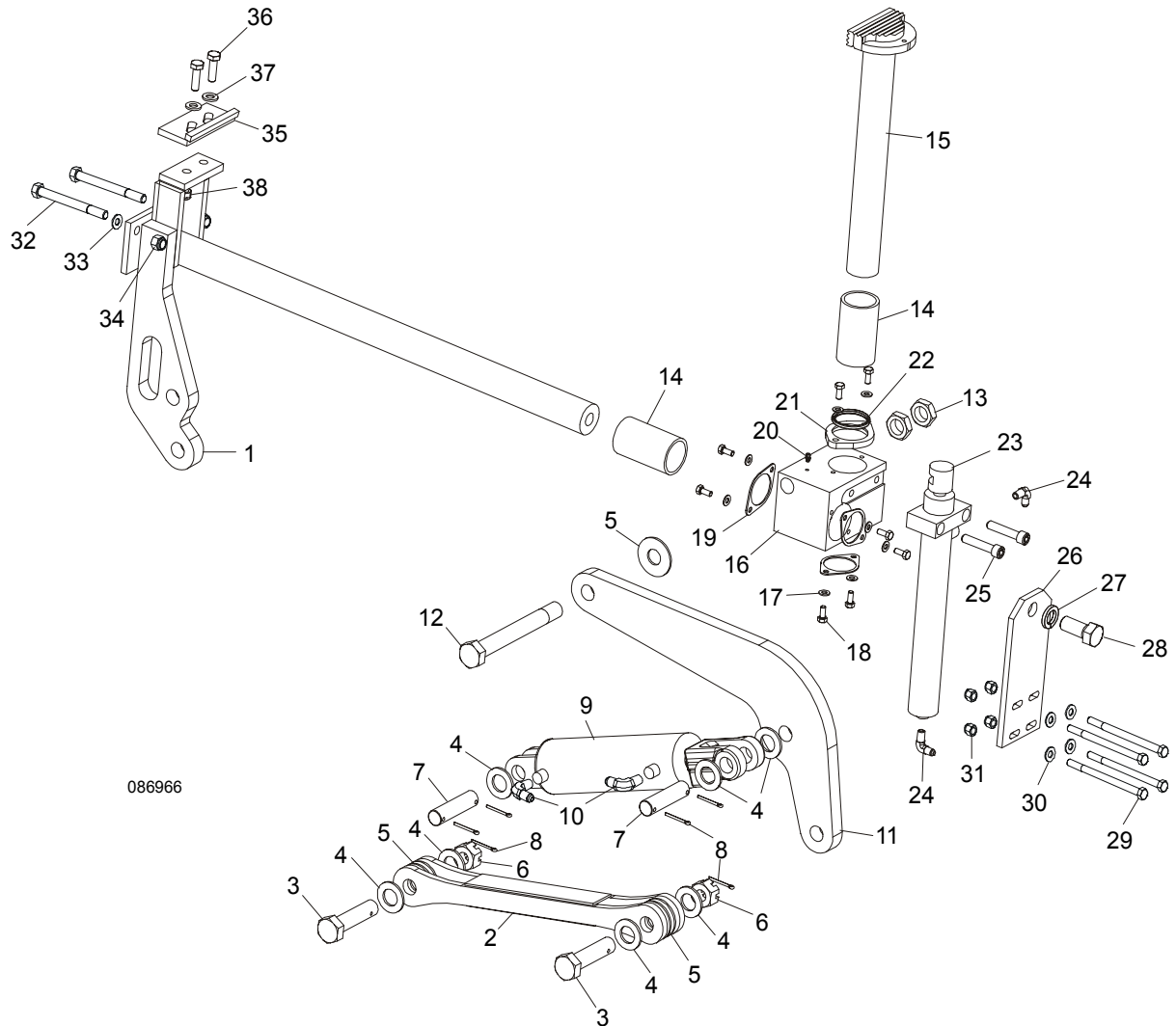
9.8 Hydraulic Log Side Support



REF	DESCRIPTION (◆ Indicates Parts Available In Assemblies Only)	PART #	QTY.
	SUPPORT, HYDRAULIC LOG SIDE		4
1	Support, Log Side	085578	1
2	Plate, Log Side Support Mount	S09148	1
3	Pin, Log Side Support Pivot	W09238	1
4	Bolt, M12x35-8.8 Zinc Hex Head	F81004-24	1
5	Bolt, M12x75-8.8 Zinc Hex Head	F81004-21	2
6	Washer, 13 Flat Zinc	F81056-1	2
7	Washer,45/13 Lock	086184	1
8	Nut, M12-8 Hex Nylon Zinc Lock	F81034-2	3
9	Fitting, 3/16" Straight Grease	P04107	2
	CYLINDER ASSEMBLY, HYDRAULIC LOG SIDE SUPPORT	A09283	1
10	Cylinder, CJ-S270-16-50/28/152 Hydraulic	088678	1
	Seal Kit, 6" x 2" Hydraulic Cylinder	P12954	1
11	Fitting, 90° Elbow	P09142	1

12	Fitting, # C3529 x 4 90° Pipe	P09140	2	
13	Fitting, C3759 x 4 Male "T"	P09141	2	
14	Fitting, C5205 x 4 x 4 Male	P09143	3	
15	Valve, Hydraulic Sequence	015484	2	
16	Fitting, 3/8" NPT - 1/4" NPT Reducer	015490	4	
17	ROD, LOG SIDE SUPPORT PUSH 1605 MM LONG (FRONT)	089530-1	1	
	ROD, LOG SIDE SUPPORT PUSH - 1420 MM LONG (MIDDLE)	089374-1	1	
	ROD, LOG SIDE SUPPORT PUSH - 1900 MM LONG (REAR)	089375-1	1	
18	ROD END, RIGHT	087035	3	
	ROD END, LEFT	087036	3	
19	BOLT, M12 X 60 8.8 HEX HEAD	F81004-5	2	
20	WASHER, 7.4 FLAT	F81056-1	4	
21	NUT, M12 - 8 HEX NYLON LOCK	F81034-2	2	
22	NUT, M12-04-A, RIGHT HEX JAM	F81034-6	1	
	NUT, M12-04-A LEFT HEX JAM	F81034-7	1	
23	PIN, HYDRAULIC CYLINDER MOUNT	086979-1	2	
24	WASHER, 28 FLAT	F81061-1	4	
25	PIN, 3/16" X 1 1/2" COTTER	F81043-31	4	
	ROLLER KIT, LOG SIDE SUPPORT		4	
26	Bolt, M16x65-8.8-B Zinc Hex Head	F81006-1	1	
27	Roller, Log Side Support	015015	1	
28	Washer, 17 Flat Zinc	F81058-1	2	
29	Nut, M16-8 Hex Nylon Zinc Lock	F81036-2	1	
	Bolt, M16x65-8.8-B Zinc Hex Head	F81006-1	1	

9.9 Hydraulic Log Clamp



086966

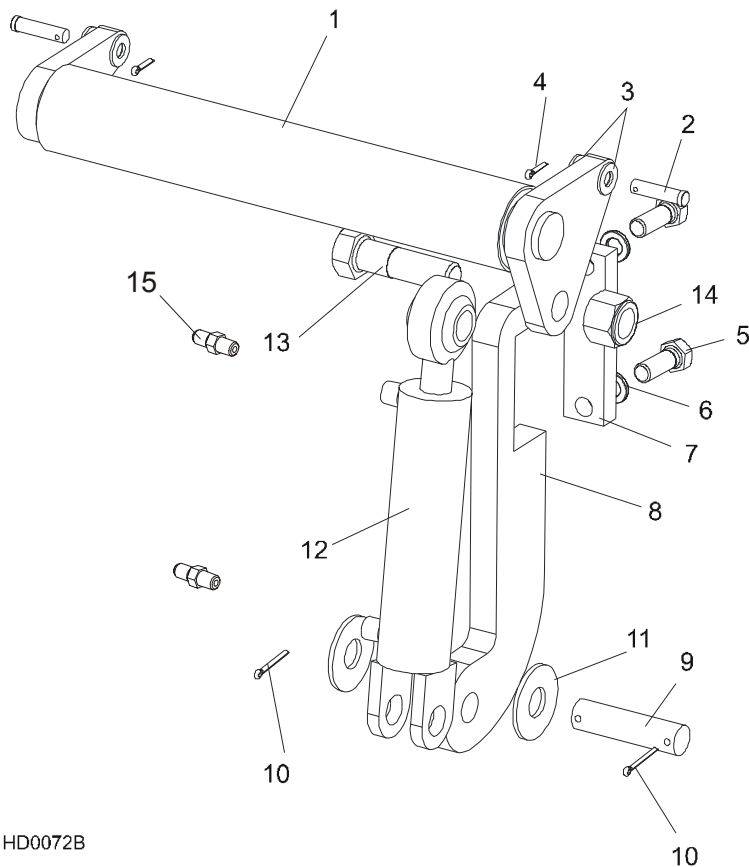
REF	DESCRIPTION (◆ Indicates Parts Available In Assemblies Only)	PART #	QTY.
	CLAMP ASSEMBLY, SUPER HYDRAULIC	088658	1
1	Mount Weldment, Super Clamp Tube	086967-1	1
2	Arm, Clamp Link	086963-1	1
3	Bolt, B 24x95/85 Hex Head Grade 8	F81049-2	1
4	Washer, 25 Flat	F81061-3	8
5	Washer, 25X63 Hardened	088585-1	5
6	Nut, M20-8-B Slotted Hex	F81037-3	2
7	Pin, Cylinder Mount	086979-1	2
8	Pin, 6,3x45 Cotter	F81045-2	6

9	Cylinder, CJ-S96-16-70/32/178 Hydraulic	088589	1	
10	Fitting, 1/4" NPT - 3/8" JIC Elbow	P09142	2	
11	Link Weldment, Super '99 Clamp	086974-1	1	
12	Bolt, M24x217/39 -8.8-B Hex Head Grade 8	088586-1	1	
13	Nut, M24 -04-B Hex Jam	F81039-3	2	
14	Bushing, Clamp Slide 5040BS	088660	2	
15	Clamp Weldment, Vertical Super	088582-1	1	
16	Block, Vertical Clamp Mount	088591-1	1	
17	Washer, 8.4 Flat	F81054-1	8	
18	Bolt, M8x20-8.8-B Hex Head	F81002-4	8	
19	Spacer, Log Clamp	088887-1	3	
20	Fitting, 3/16" Grease	P04107	1	
21	Spacer, Log Clamp	088887-1	1	
22	Wiper, Up/Down Rod ZZ 50x60x7	088587	1	
23	Cylinder, CJ-S169-16-40/22/254 Hydraulic	088590	1	
24	Fitting, 1/4" NPT - 1/4" JIC Elbow	P09142	2	
25	Screw, M12x55 -8.8-B Socket Head	F81004-23	2	
26	Plate, Super Log Clamp Mount	086975-1	1	
27	Washer, Z 22,5 Split Lock	F81059-4	1	
28	Bolt, M22x1,5x40 -8.8-B Hex Head Grade 5	F81009-1	1	
29	Bolt, M10 x 125-8.8 Hex Head	F81003-18	4	
30	Washer, 10.5 Flat	F81055-1	4	
31	Nut, M10-8-B Hex Nylon Lock	F81033-1	4	
32	Bolt, M10 x 140-8.8 Hex Head	F81004-37	2	
33	Washer, 13 Flat	F81056-1	2	
34	Nut, M12-8 Hex Nylon Lock	F81034-1	2	
	CLAMP STOP KIT, HYDRAULIC LOG	K09485	1	
35	Plate, Clamp Stop	086980-1	1	
36	Bolt, M12 x 40-8.8 Hex Head	F81004-4	2	
37	Washer, 13 Flat	F81056-1	2	
38	Nut, M12-8 Hex Nylon Lock	F81034-2	2	

9 HYDRAULIC SYSTEM

Hydraulic Toe Board, Front and Rear

9.10 Hydraulic Toe Board, Front and Rear



HD0072B

L.P.	OPIS (◆ wskazuje części dostępne jedynie w zespołach)	NUMER KAT.	SZT.
	TOE BOARD WELDMENT, HYDRAULIC, COMPLETE	085549	
1	Toe Board Weldment, Hydraulic	086253-1	1
2	Bolt, M12x60-8.8 Fe/Zn5 PN-M/82101	F81004-5	1
3	Washer, 13 Sae Flat	F81056-1	4
4	Pin, S-Zn 2.5 x 20 Cotter	F81043-1	2
5	Bolt, 5/8-11 X 1 3/4" Hex Head	F05009-33	4
6	Washer, 17 Split Lock	F81058-2	4
7	Plate, Hydraulic Toeboard Mount	090086-1	1
8	Bracket, Hydraulic Toeboard Mount	087729	2
9	Pin, Cylinder Mount	086979-1	1
10	Pin, 3/16" X 1 1/2" Cotter	F05012-23	4
11	Washer, 28 Sae Flat	F81061-1	4
12	Cylinder, CJ-S170-16-40/25/152 Hydraulic	088681	2
	Seal Kit, 1 1/2" x 6" Hydraulic Cylinder	014547	1
13	Bolt, 1-8 X 3 1/4" Hex Head Grade 5	F05009-51	2
14	Nut, 1-8 Hex Nylon Lock	F05010-117	2

HYDRAULIC SYSTEM
Hydraulic Toe Board, Front and Rear

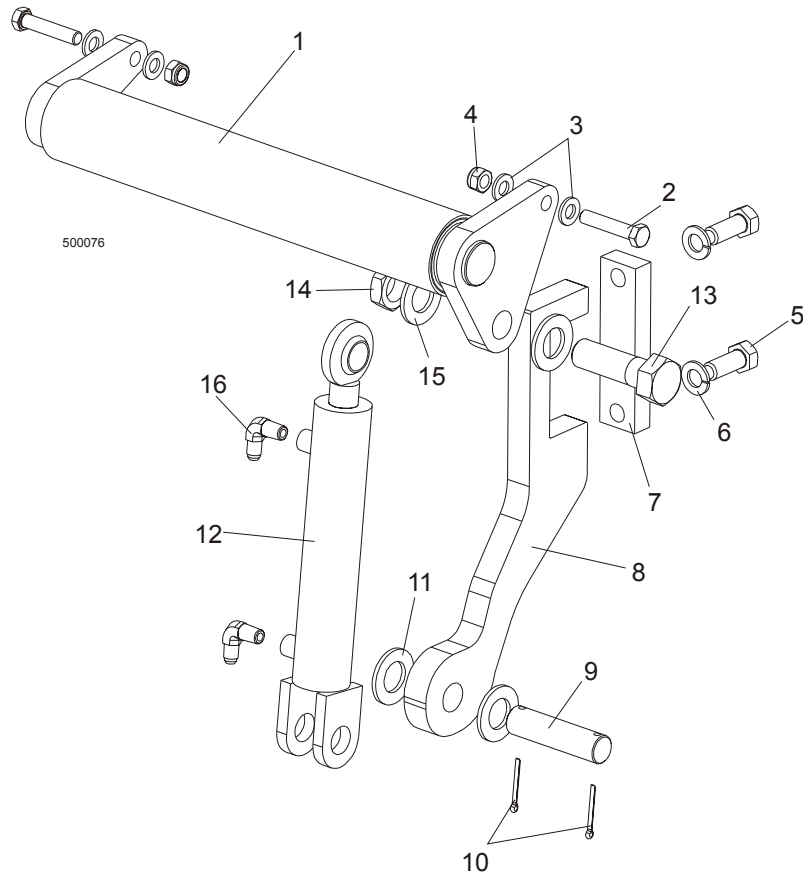
9

15	Fitting, 90° Male Elbow	P09143	4	
----	-------------------------	--------	---	--

9 HYDRAULIC SYSTEM

Hydraulic Toe Board, Middle

9.11 Hydraulic Toe Board, Middle



REF	DESCRIPTION (◆ Indicates Parts Available In Assemblies Only)	PART #	QTY.
	HYDRAULIC TOE BOARD ASSEMBLY, MIDDLE	090055	
1	Toe Board Weldment, Hydraulic	086253-1	1
2	Bolt, M12x60-8.8 Zinc Hex Head	F81004-5	1
3	Washer, 13 Zinc Flat	F81056-1	4
4	Pin, S-Zn 2.5x20 Cotter	F81043-1	2
5	Bolt, M16X40-8.8 Zinc Hex Head Full Thread	F81006-13	2
6	Washer, 16.3 Zinc Split Lock	F81058-2	2
7	Plate, Hydraulic Toe Board Mount	090086-1	1
8	Bracket, Hydraulic Toe Board Mount	089990-1	1
9	Pin, Hydraulic Cylinder Mount Zinc	086979-1	1
10	Pin, S-Zn 3/16 X 1 1/2" Cotter	F05012-23	2
11	Washer, 28 Zinc Flat	F81061-1	2
12	Cylinder, CJ-S170-16-40/25/152 Hydraulic	088681	1
	Seal Kit, 1 1/2" x 6" Hydraulic Cylinder	014547	1
13	Bolt, 1-8 X 3 1/4 HH Hex Head Grade 5	F05009-51	1
14	Nut, 1"-14	F05010-117	1

HYDRAULIC SYSTEM

Hydraulic Toe Board, Middle

9

15	Washer, 28 Zinc Flat	F81061-1	1	
16	Fitting, C5205x4x4 Male	P09143	2	

A