

Wood-Mizer[®] Sawmill

Parts Manual

LT70L DH

rev.A6.00



Safety is our #1 concern! Read and understand all safety information and instructions before operating, setting up or maintaining this machine.

May 2002

Form #1044

Table of Contents

Section-Page

SECTION 1	GENERAL INFORMATION	1-1
1.1	How To Use The Parts List	1-1
1.2	Sample Assembly	1-1
SECTION 2	BLADE GUIDE ROLLERS & ARM	2-1
2.1	Blade Guide Assembly, Idle Side	2-1
2.2	Blade Guide Assembly, Drive Side	2-3
2.3	Blade Guide Arm Drive Assembly.....	2-5
SECTION 3	BLADE WHEELS & TENSIONER	3-1
3.1	Blade Drive Assembly.....	3-1
3.2	Idle Blade Wheel Assembly	3-3
3.3	Hydraulic Blade Tensioner Assembly.....	3-5
3.4	Sawdust Flow Guide.....	3-7
SECTION 4	SAW HEAD	4-1
4.1	Middle Throat Screw	4-1
4.2	Drive Belt Tensioner	4-2
4.3	Board Return Assembly (optional).....	4-3
4.4	Water Lube Assembly	4-5
4.5	Saw Head Decals.....	4-6
4.6	Blade Housing Covers.....	4-7
4.7	Sawdust Chute	4-8
SECTION 5	CONTROL & BATTERY BOXES	5-1
5.1	Control Assembly (Gas/Diesel).....	5-1
5.2	Drum Switches	5-3
5.3	Front Panel Assembly & Harnesses	5-4
5.4	Circuit Breakers.....	5-5
5.5	Solenoids	5-6
5.6	Battery Box Assembly (Sawmills w/D42 Engine Only).....	5-7
5.7	Fuse Box Assembly (Sawmills w/D42 Engine Only).....	5-8
SECTION 6	UP/DOWN SYSTEM	6-1
6.1	Up/Down Rollers & Covers	6-1
6.2	Blade Height Scale	6-3
6.3	Up/Down Chain & Sprockets.....	6-5
6.4	Up/Down Drive Assembly	6-7
SECTION 7	FEED SYSTEM & TRACK ROLLERS	7-1
7.1	Upper Track Rollers And Wipers.....	7-1
7.2	Power Feed Assembly	7-3
7.3	Feed Chain/Stop	7-4
7.4	Lower Track Rollers.....	7-6

Table of Contents

Section-Page

SECTION 8 BED FRAME ASSEMBLY

8-1

8.1	Bed Rail Assembly, Front and Rear	8-1
8.2	Leg, Stationary	8-3
8.3	Pivot Bed Rail Assembly.....	8-5
8.4	Log Side Support Assembly (Manual)	8-7
8.5	Tie Down Chain Assembly	8-9
8.6	Bed Frame Decals.....	8-10
8.7	LT70 L Saw Head Support Assembly.....	8-11

SECTION 9 HYDRAULIC SYSTEM

9-1

9.1	Hydraulic hoses, LT40/70L	9-1
9.2	Hydraulic Control Box LT70L DH15	9-2
9.3	Hydraulic Control Box	9-4
9.4	Hydraulic Power Supply Strip.....	9-6
9.5	Hydraulic Log Loader	9-8
9.6	Hydraulic Log Turner.....	9-9
9.7	Hydraulic Log Clamp,Front and Rear	9-11
9.8	Hydraulic Log Clamp	9-13
9.9	Hydraulic Toe Board, Middle.....	9-15
9.10	Hydraulic Log Side Supports (L Type Frame).....	9-17
9.11	Hydraulic Toe Board	9-19

SECTION 1 GENERAL INFORMATION

1.1 How To Use The Parts List

- Use the index above to locate the assembly that contains the part you need.
- Go to the appropriate section and locate the part in the illustration.
- Use the number pointing to the part to locate the correct part number and description in the table.
- Parts shown indented under another part are included with that part.
- Parts marked with a diamond (◆) are only available in the assembly listed above the part.

See the sample table below. Sample Part #A01111 includes part F02222-2 and subassembly A03333. Subassembly A03333 includes part S04444-4 and subassembly K05555. The diamond (◆) indicates that S04444-4 is not available except in subassembly A03333. Subassembly K05555 includes parts M06666 and F07777-77. The diamond (◆) indicates M06666 is not available except in subassembly K05555.

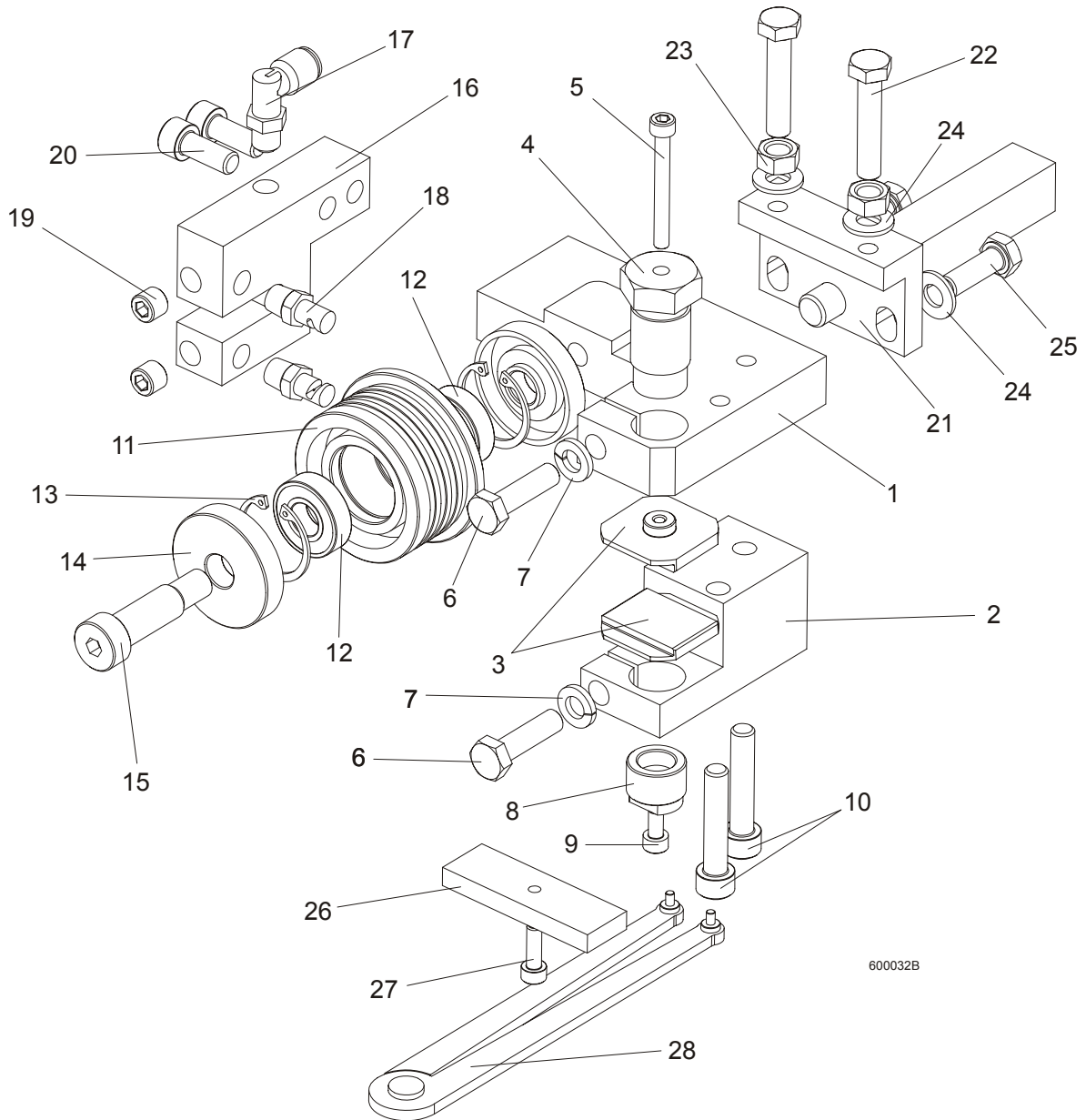
1.2 Sample Assembly				
REF	DESCRIPTION (◆ Indicates Parts Available In Assemblies Only)	PART #	QTY.	
	Sample Assembly, Complete (Includes All Indented Parts Below)	A01111	1	
1	Sample Part	F02222-22	1	
	Sample Subassembly (Includes All Indented Parts Below)	A03333	1	
2	Sample Part (◆ Indicates Part Is Only Available With A03333)	S04444-4	1	◆
	Sample Subassembly (Includes All Indented Parts Below)	K05555	1	
3	Sample Part (◆ Indicates Part Is Only Available With K05555)	M06666	2	◆
4	Sample Part	F07777-77	1	

To Order Parts:

- From Europe call our European Headquarters and Manufacturing Facility in Kolo, Poland at **+48-63-2626000**. From the continental U.S., call our toll-free Parts hotline at **1-800-448-7881**. Have your customer number, vehicle identification number, and part numbers ready when you call.
- From other international locations, contact the Wood-Mizer distributor in your area for parts.

SECTION 2 BLADE GUIDE ROLLERS & ARM

2.1 Blade Guide Assembly, Idle Side



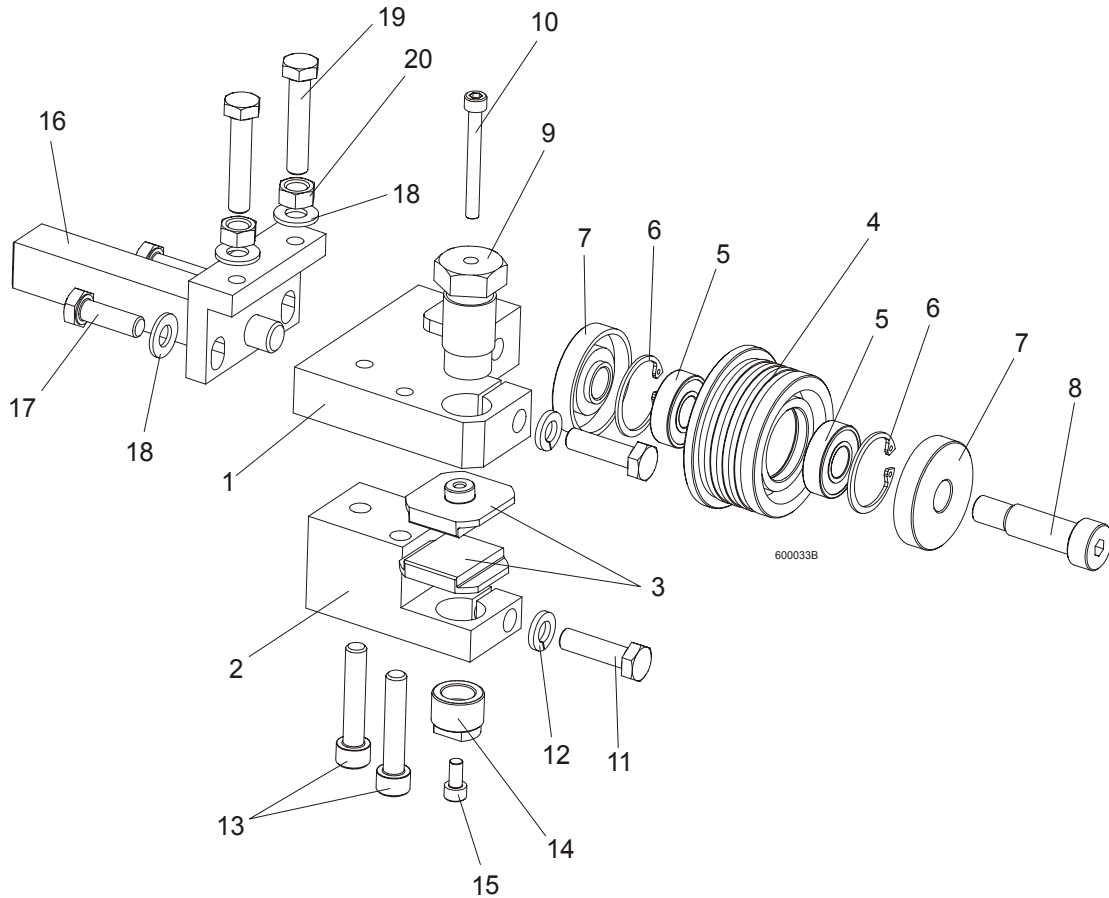
600032B

2 BLADE GUIDE ROLLERS & ARM

Blade Guide Assembly, Idle Side

REF	DESCRIPTION (u Indicates Parts Available In Assemblies Only)	PART#	QTY.	
	BLADE GUIDE ASSEMBLY, IDLE SIDE	090943	1	
	BLADE GUIDE ASSEMBLY, IDLE SIDE, EXTENDED (for optional use with 1 1/2" blades)	092997	1	
1	Block, Blade Guide Mount Zinc-plated	090947-1	1	
2	Block, Lower Ceramic Pad Mount Zinc-plated	090948-1	1	
3	Block, Blade Guide Zinc	093430-1	2	
4	Bolt, Upper Pad Adjustment Zinc-plated	089515-1	1	
5	Screw, M5x45 DIN912 A2-70 Hex Socket Head Cap Stainless Steel	F81000-24	1	
6	Bolt, M8x30 DIN933 A2-70 Stainless Steel	F81002-27	2	
7	Washer, 8.2 Split Lock Zinc	F81054-4	2	
8	Screw, Lower Pad Adjuster Zinc-plated	090945-1	1	
9	Screw, M5x10 DIN912 A2-70 Hex Socket Head Cap Stainless Steel	F81000-23	1	
10	Screw, M8x40-8.8 Hex Socket Head Cap Zinc	F81002-29	2	
	Roller, Blade Guide Narrow W/Bearing	088261	1	
	Roller, Blade Guide W/Bearing, Extended	092939	1	
11	Roller, Blade Guide Narrow	087889	1	
12	Bearing, 6001 2RSR NACHI	087893	2	
13	Ring, W28 Inside Retaining	F81090-9	2	
14	Washer, Blade Guide Roller Spacer Zinc-plated	087891-1	2	
15	Screw, 12/M10x30 12.9 ISO 7379 Socket Head Shoulder	F81003-70	1	
	Screw, 12/M10x35 12.9 ISO 7379 Socket Head Shoulder, (used with the Extended Roller only)	F81003-48	1	
16	Block, Nozzle Mounting Zinc-plated	090487-1	1	
17	Fitting, 90° Elbow 1/8NPT-1/4 Tube Swivel	P09736	1	
18	Nozzle, Blade Lube Spray	033479	2	
19	Plug, M10x1 DIN 906 BN40 "BOSSARD"	F81015-3	2	
20	Screw, M8x20-8.8 Hex Socket Head Cap Zinc	F81002-30	2	
21	Pivot Weldment, Blade Guide Zinc-plated	089509-1	1	
22	Bolt, M8x40 DIN933 A2-70 Stainless Steel	F81002-28	2	
23	Nut, M8 DIN934 A2-70 Stainless Steel	F81032-7	2	
24	Washer, 8.4 Zinc Flat	F81054-1	4	
25	Bolt, M8x25 DIN933 A2-70 Stainless Steel	F81002-26	2	
	Block, Blade Guide Alignment	090951	1	
26	Block, Blade Guide Alignment Zinc-plated	090805-1	1	
27	Screw, M5x16-8.8 Hex Socket Head Cap Zinc	F81000-25	1	
28	Tool, 62860-3 (PERSCHMAN) Lower Pad Adjustment	090949	1	

2.2 Blade Guide Assembly, Drive Side

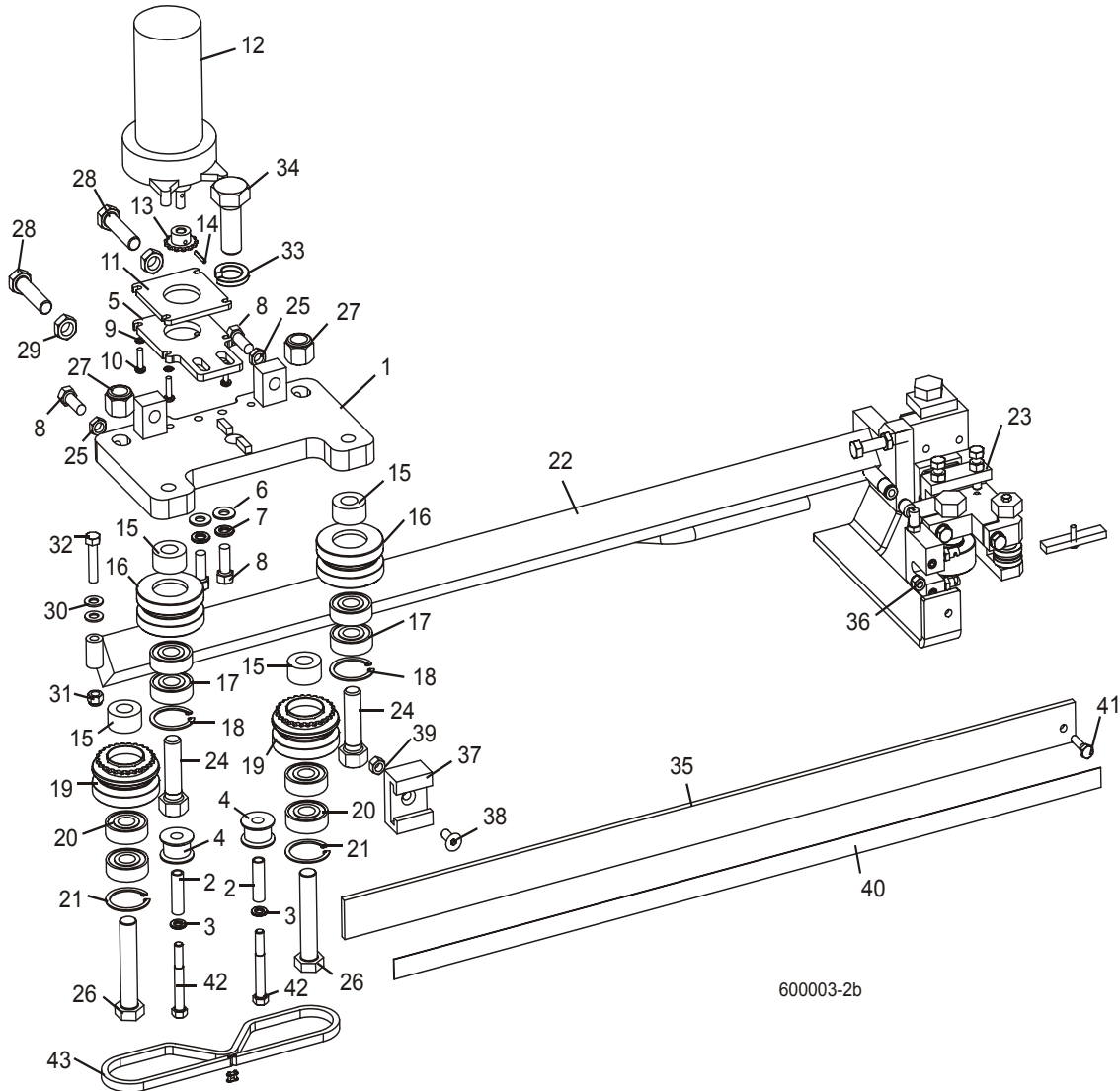


REF	DESCRIPTION (u Indicates Parts Available In Assemblies Only)	PART #	QTY.	
	BLADE GUIDE ASSEMBLY, DRIVE SIDE	090942	1	
	BLADE GUIDE ASSEMBLY, DRIVE SIDE, EXTENDED (for optional use with 1 1/2" blades)	092998	1	
1	Block, Blade Guide Mount Zinc-plated	090944-1	1	
2	Block, Lower Ceramic Pad Mount Zinc-plated	090946-1	1	
3	Block, Blade Guide Zinc	093430-1	2	
	Roller, Blade Guide Narrow W/Bearing	088261	1	
	Roller, Blade Guide W/Bearing, Extended	092939	1	
4	Roller, Blade Guide Narrow	087889	1	
5	Bearing, 6001 2RSR NACHI	087893	2	◆
6	Ring, W28 Inside Retaining	F81090-9	2	
7	Washer, Blade Guide Roller Spacer Zinc-plated	087891	2	
8	Screw, 12/M10x30 12.9 ISO 7379 Socket Head Shoulder	F81003-70	1	
	Screw, 12/M10x35 12.9 ISO 7379 Socket Head Shoulder (used with the Extended Roller only)	F81003-48	1	

2**BLADE GUIDE ROLLERS & ARM***Blade Guide Assembly, Drive Side*

9	Bolt, Upper Pad Adjustment	089515	1	
10	Screw, M5x45 DIN912 A2-70 Hex Socket Head Cap Stainless Steel	F81000-24	1	
11	Bolt, M8x30 DIN933 A2-70 Stainless Steel	F81002-27	2	
12	Washer, 8.2 Split Lock Zinc	F81054-4	2	
13	Screw, M8x40-8.8 Hex Socket Head Cap Zinc	F81002-29	2	
14	Screw, Lower Pad Adjustment Zinc-plated	090945-1	1	
15	Screw, M5x10 DIN912 A2-70 Hex Socket Head Cap Stainless Steel	F81000-23	1	
16	Pivot Weldment, Blade Guide Zinc-plated	089509-1	1	
17	Bolt, M8x25 DIN933 A2-70 Stainless Steel	F81002-26	2	
18	Washer, 8.4 Zinc Flat	F81054-1	4	
19	Bolt, M8x40 DIN933 A2-70 Stainless Steel	F81002-28	2	
20	Nut, M8 DIN934 A2-70 Stainless Steel	F81032-7	2	

2.3 Blade Guide Arm Drive Assembly



REF	DESCRIPTION (u Indicates Parts Available In Assemblies Only)	PART#	QTY.
	BLADE GUIDE ARM ASSEMBLY	090950	1
1	Plate Weldment, Blade Guide Arm Zinc-plated	090800-1	1
2	Bushing, 0.322 x 0.44 x 1 1/2" Spacer	S09996	2
3	Washer, 5/16" Split Lock Zinc	F05011-13	2
4	Roller, Chain Guide	090801	2
5	Plate, Blade Guide Motor Mount Ptd	090803-1	1
6	Washer, 10.5 Zinc Flat	F81055-1	2
7	Washer, 3/8" Zinc Flat	F05011-4	2
8	Bolt, M10 x 25 8.8 Hex Head Full Thread	F81003-31	4

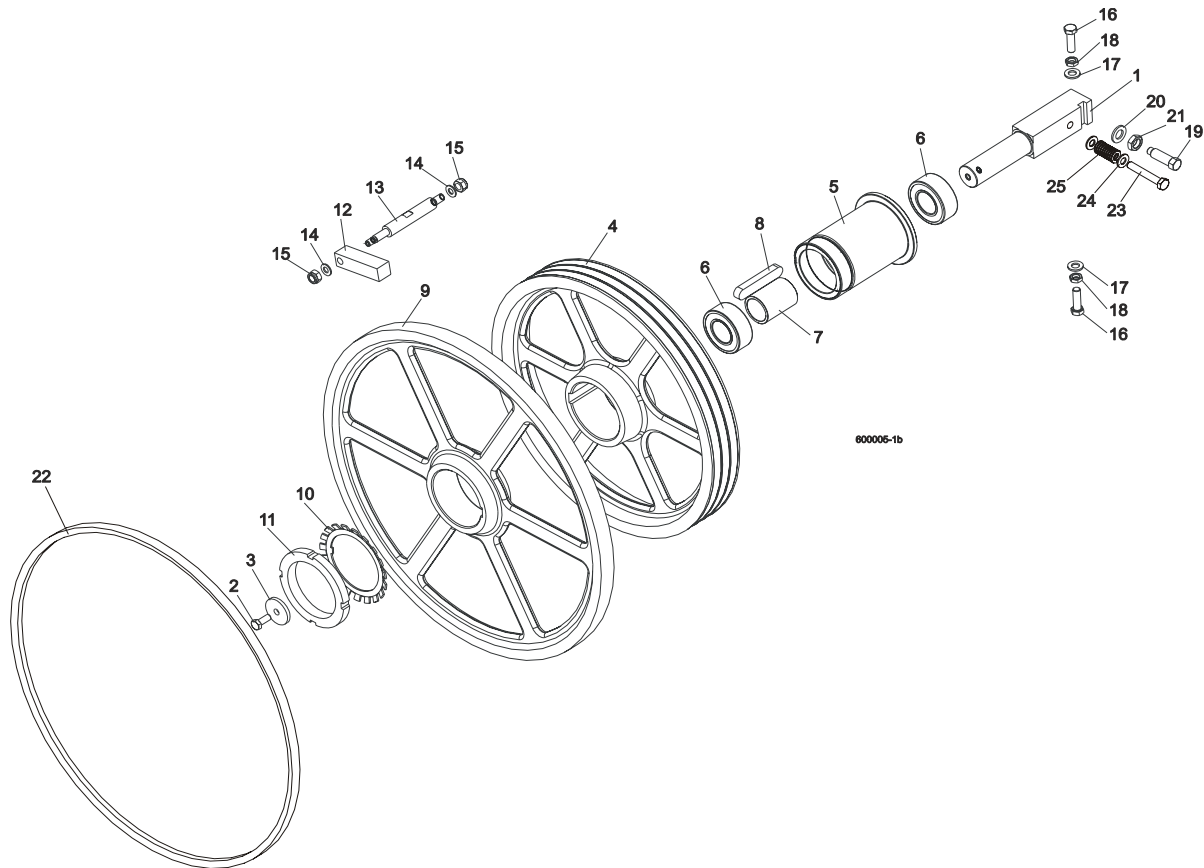
2 BLADE GUIDE ROLLERS & ARM

Blade Guide Arm Drive Assembly

9	Washer, 5.3 Zinc Flat	F81052-1	4	
10	Screw, #10-32 x 3/4 CrS1 Phillips Head	F05004-38	4	
11	Plate, Spacer Ptd	090802-1	1	
12	Motor, 53:1 Gear ASA Blade Guide Arm	P09698-1	1	
13	Sprocket, 25B13 x .3130	P09970	1	
14	Pin, 3 x 14 Zinc Roll	F81044-4	1	
15	Spacer, Drive Roller Zinc-plated	090804-1	4	
	ROLLER ASSEMBLY, BLADE GUIDE ARM IDLER	042543	2	
16	Housing, 2 1/2" V-Groove	042536	1	
17	Bearing, 6203-2NSL 5/8	P06030-1	2	
18	Ring, 1.575" ID 5002-156 Retaining	F04254-8	1	
	ROLLER ASSEMBLY, BLADE GUIDE ARM DRIVE	042542	2	
19	Housing, 2 1/2" V-Groove W/Sprocket	042541	1	
20	Bearing, 6203-2NSL 5/8	P06030-1	2	
21	Ring, 1.575" ID 5002-156 Retaining	F04254-8	1	
22	Arm Weldment, Blade Guide Zinc-plated	090479-1	1	
23	Blade Guide Parts (See Section 2.1)			
24	Bolt, 5/8-18 x 2 1/4 Hex Head Grade 5	F05009-80	2	
25	Nut, M10-04-W Zinc Hex Thin	F81033-6	2	
26	Bolt, 5/8-18 x 3 1/4 Hex Head Grade 5	F05009-80	2	
27	Nut, 5/8-18 Hex Nylon Lock	F05010-71	2	
28	Screw, M12 x 1.25 x 60-33H Zinc Hex Set W/Full Dog Point	F81004-52	2	
29	Nut, M12 x 1.25 8.8 Zinc Hex Thin	F81034-5	2	
30	Washer, 8.4 Zinc Flat	F81054-1	1	
31	Nut, M8-8-B Hex Nylon Zinc Lock	F81032-2	1	
32	Bolt, M8 x 40-8.8 Hex Head Full Thread Zinc	F81002-15	1	
33	Washer, DIN 6319-21C Spherical	F81059-6	1	
34	Bolt, M20 x 1.5 x 50-8.8-B Hex Head Full Thread Zinc	F81007-2	1	
35	Guard, Blade	088306	1	
36	Nut, M6-8-B Hex Nylon Zinc LOck	F81031-2	1	
37	Guide, Blade Guard	088305	1	
38	Screw, M8 x 25 Cross Recessed Countersunk Head Zinc	F81002-51	1	
39	Nut, M8-8-B Hex Nylon Zinc Lock	F81032-2	1	
40	Decal, Warning	015849	1	
41	Bolt, M6 x 20-8.8 Hex Head Full Thread Zinc	F81001-2	2	
42	Screw, 12/M10 x 20 12.9 ISO7379(BOSSARD) Socket Head Shoulder	F81003-68	2	
43	Chain, #25 x 92 PITCHES B/G	093805	1	

SECTION 3 BLADE WHEELS & TENSIONER

3.1 Blade Drive Assembly



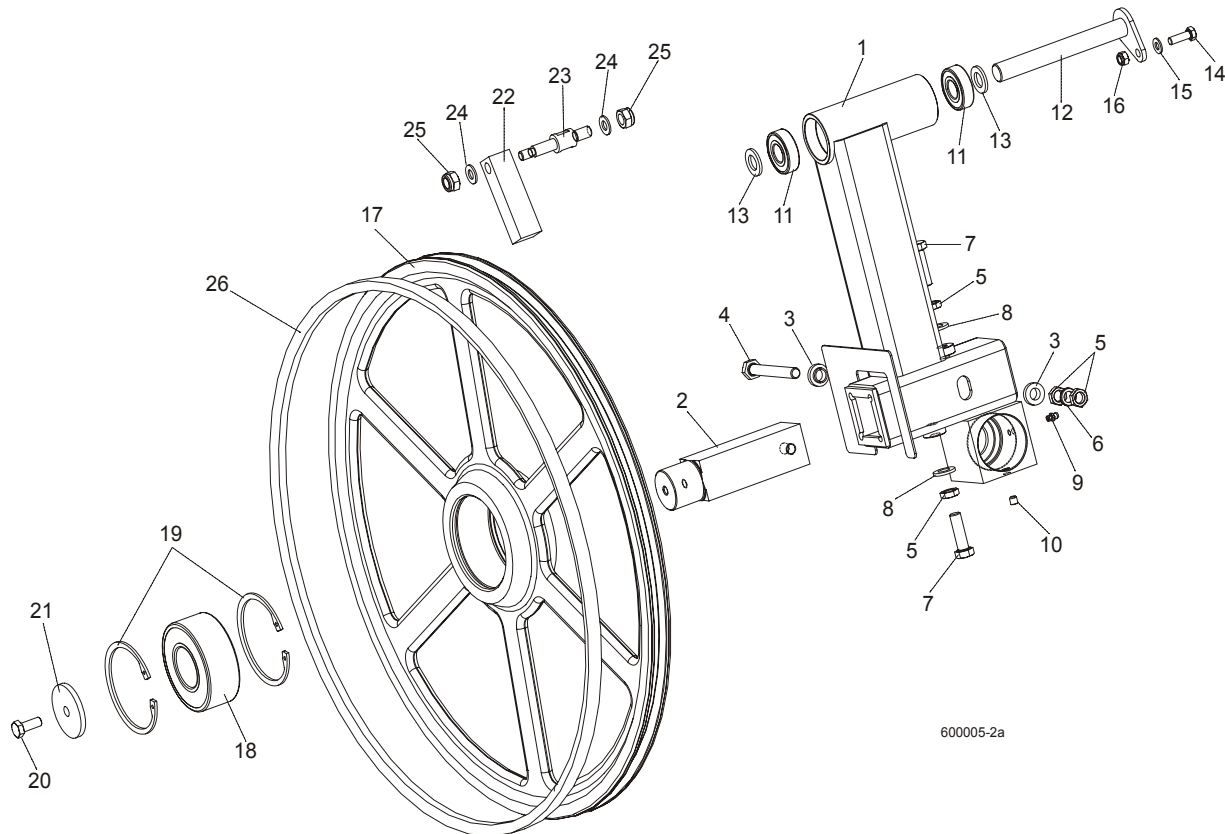
REF	DESCRIPTION (◆ Indicates Parts Available In Assemblies Only)	PART #	QTY.
1	SHAFT, BLADE DRIVE WHEEL	088475	1
2	BOLT, M10x25 8.8 HEX HEAD FULL THREAD	F81003-31	1
3	WASHER, BLADE DRIVE WHEEL	088956-1	1
	PULLEY ASSEMBLY, BLADE DRIVE (DC)	088561	1
4	Pulley, 3-Groove 484 mm Diameter	089457-1	1
5	Bushing, Blade Drive Wheel	088476	1
6	Bearing, 3208.2rsr.tvh (FAG) Rolling	088449	2
7	Spacer, Drive Bearing	088478	1
8	Key, A20x12x100 Parallel	088477	1
9	WHEEL, BLADE DRIVE	090811	1
10	WASHER, MB21 (FAG) LOCK	088451	1
11	NUT, KM21(M105X2) (FAG) LOCK	088450	1
12	BAR, WHEEL SCRAPER	088781	1
13	SHAFT, WHEEL SCRAPER	088780-1	1

3 Blade Wheels & Tensioner

Blade Drive Assembly

14	WASHER, 10.5 ZINC FLAT	F81055-1	2	
15	NUT, M12-8 HEX NYLON ZINC LOCK	F81034-2	2	
16	BOLT, M12X1.25X40 HEX HEAD	F81004-42	3	
17	WASHER, 13 FLAT ZINC	F81056-1	3	
18	NUT, M12X1.25 8.8 THIN ZINC	F81034-5	3	
19	SCREW, M16X1.5X50-33H HEX HEAD FULL DOG POINT SET ZINC	F81006-14	1	
20	WASHER, 17 ZINC FLAT	F81058-1	1	
21	NUT, M16x1.5-08-B ZINC THIN	F81036-6	1	
22	BELT, BLADE WHEEL B72.5	017922	1	
23	BOLT M10X65	F81003-67	1	
24	WASHER, 10.5 ZINC FLAT	F81055-1	2	
25	SPRING19X38	034430	1	

3.2 Idle Blade Wheel Assembly



600005-2a

REF	DESCRIPTION (◆ Indicates Parts Available In Assemblies Only)	PART #	QTY.
	TUBE WELDMENT, LT60 IDLE SIDE BLADE WHEEL COMPLETE	088762	1
1	Tube Weldment, LT60 Idle Blade Wheel	088434-1	1
2	Shaft, Idle Blade Wheel	088474	1
3	Washer, Zinc Special	086769-1	2
4	Bolt, M12x1.25x100-8.8 Hex Head Zinc	F81004-41	1
5	Nut, M12x1.25 8.8 Hex ZincThin	F81034-5	4
6	Washer, Z12.2 Split Zinc Lock	F81056-2	1
7	Bolt, M12x1.25x40 Hex Head	F81004-42	2
8	Washer, 13 Zinc Flat	F81056-1	2
9	Fitting, M6 Straight Grease	086280	1
10	Screw, M8x8-33H Hex Socket Set Flat Point Zinc	F81014-1	1
11	Bearing, 6204 2RS-CX Rolling	088447	2
12	PIN WELDMENT, PIVOT	088759-1	1
13	WASHER, 17 ZINC FLAT	F81058-1	2
14	BOLT, M8X25-8.8-B HEX HEAD FULL THREAD ZINC	F81002-5	1
15	WASHER, 8.4 ZINC FLAT	F81054-1	1
16	NUT, M8-8-B HEX NYLON ZINC LOCK	F81032-2	1

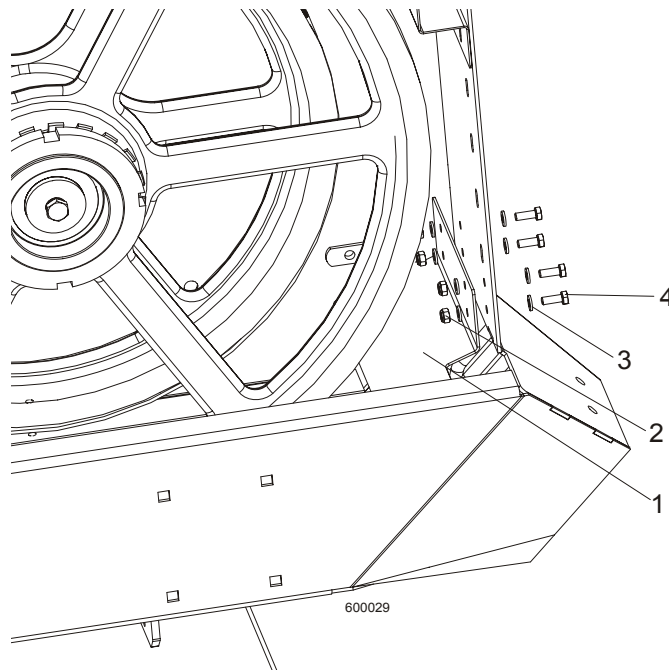
3 Blade Wheels & Tensioner

Idle Blade Wheel Assembly

	WHEEL ASSEMBLY, IDLE SIDE	090952	1	
17	Wheel, Blade Idle Side	090810-1	1	
18	Bearing, 3309B.2RSR.TVH-P66 FAG	086428	1	
19	Ring, W100 Spring Retaining	F81090-10	2	
20	BOLT, M10X25 8.8 HEX HEAD FULL THREAD	F81003-31	1	
21	WASHER, IDLE BLADE WHEEL RETAINING	088957-1	1	
22	SCRAPER, IDLE BLADE WHEEL	088781	1	
23	SHAFT, SHORT ZINC WHEEL SCRAPER	088779-1	1	
24	WASHER, 10.5 ZINC FLAT	F81055-1	2	
25	NUT, M12-8 HEX NYLON ZINC LOCK	F81034-2	2	
26	BELT, BLADE WHEEL B72.5	017922	1	

18	Nut, M16, Hex, Nylon Zinc Lock	F81036-2	2	
19	Cylinder, Air Complete	092788	1	
20	Washer, 8.4 Zinc Flat	F81054-1	6	
21	Pin, PN-EN 22341-B-18x65x57-A2	F81049-4	2	
22	Washer, 19 Flat Zinc	F81060-1	2	
23	Pin, S-Zn 5x40 PN-M/82001	F81043-31	2	
24	Pump,PMS12/TNK1 Manual w/Tank 1l	092789	1	
25	Bolt, 8mm x 1.25x35mm HH Zinc	F81002-13	4	
26	Elbow, CA-204410-3	094562	1	
27	Valve, RHV12LREDA3C Check	094559	1	
28	Hose, DN12 w/fittings PN10AOL90 M18x1,5	094565	1	
29	Latch, GN615.3-M6-KN Ball Threaded	096874	1	
30	Washer, M6, Flat, Zinc	F81053-1	7	
31	Nut, M6, Hex, Nylon Lock Zinc	F81031-2	4	
32	Bracket, Tensioner Pump Handle Bottom	096951	1	
33	Bracket, Tensioner Pump Handle Upper	092800	1	
34	Valve, ECP 20/22B2	094564	1	
35	T-connection, HD-TH-12L-BE-06	094560	1	
36	Fitting, G 3/8 Throttle	096849	1	
37	Elbow, CA-204411-3	094563	1	
38	Connector, 300.11.00 Solenoid	094555	1	
39	Pushbutton, M22 momentary, flat green	094581	1	
40	Cover, Solenoid Painted	094569-1	1	
41	Bolt, M6x60mm Hex Head, Zinc	F81001-9	3	
42	Grommet, Rubber 3/8 ID	025248	1	
43	Hose, 1/4 w/fittings JIC 7/16-20	092806	1	
44	Hose, DN12 w/fittings PN10AOL90 i PN10AOL M1.5	096964	1	

3.4 Sawdust Flow Guide

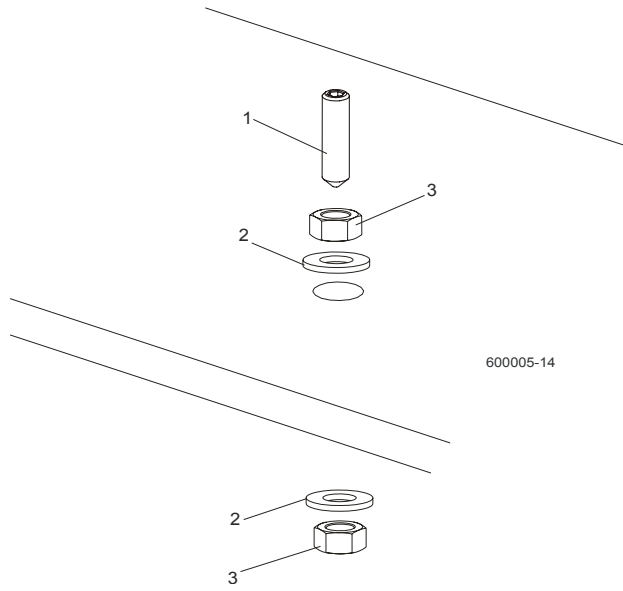


REF	DESCRIPTION (◆ Indicates Parts Available In Assemblies Only)	PART #	QTY.	
1	Guide, Sawdust Flow Painted	090506	1	
2	Nut, M6-8-B Hex Nylon Zinc Lock	F81031-2	4	
3	Washer 6.4 Zinc Flat	F81053-1	8	
4	Bolt, M6x16-8.8, Hex Head Full Thred, Zinc	F81001-32	4	

4 Saw Head
Middle Throat Screw

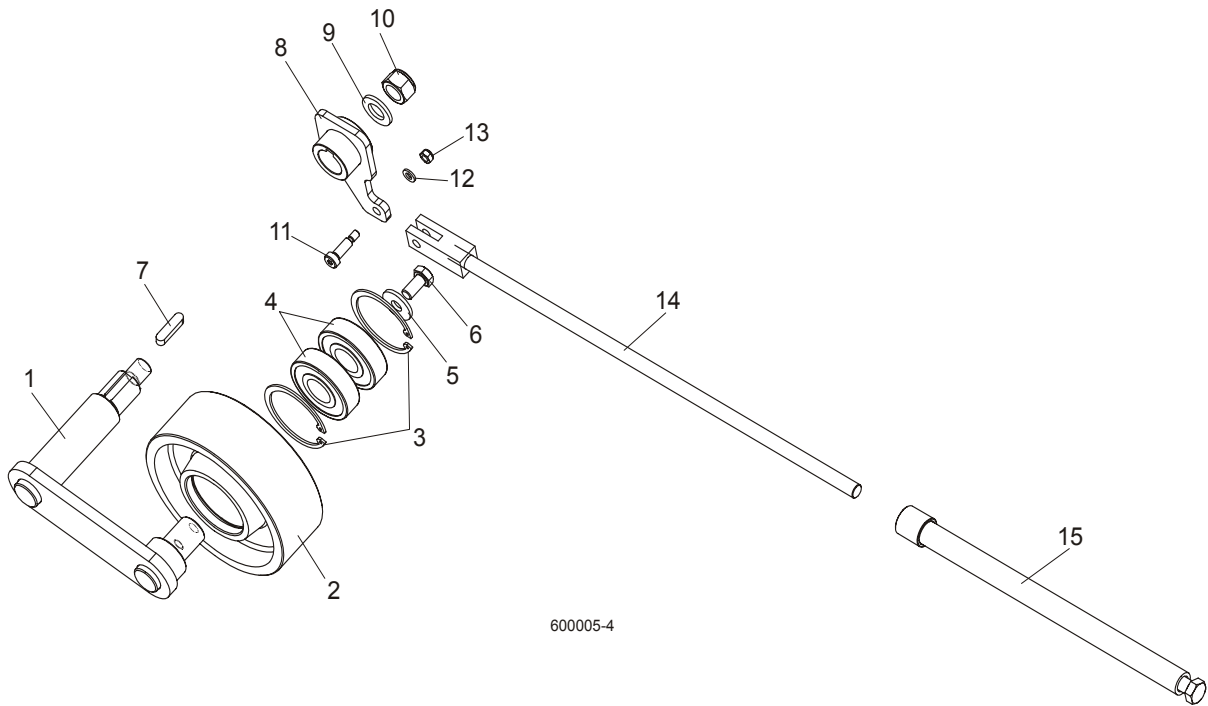
SECTION 4 SAW HEAD

4.1 Middle Throat Screw



REF	DESCRIPTION (◆ Indicates Parts Available In Assemblies Only)	PART #	QTY.	
1	SCREW, M10X40-45H HEX SOCKET SET CONE POINT ZINC	F81003-61	1	
2	WASHER, 10.5 ZINC FLAT	F81055-1	2	
3	NUT, M10-8-B ZINC HEX	F81033-3	2	

4.2 Drive Belt Tensioner

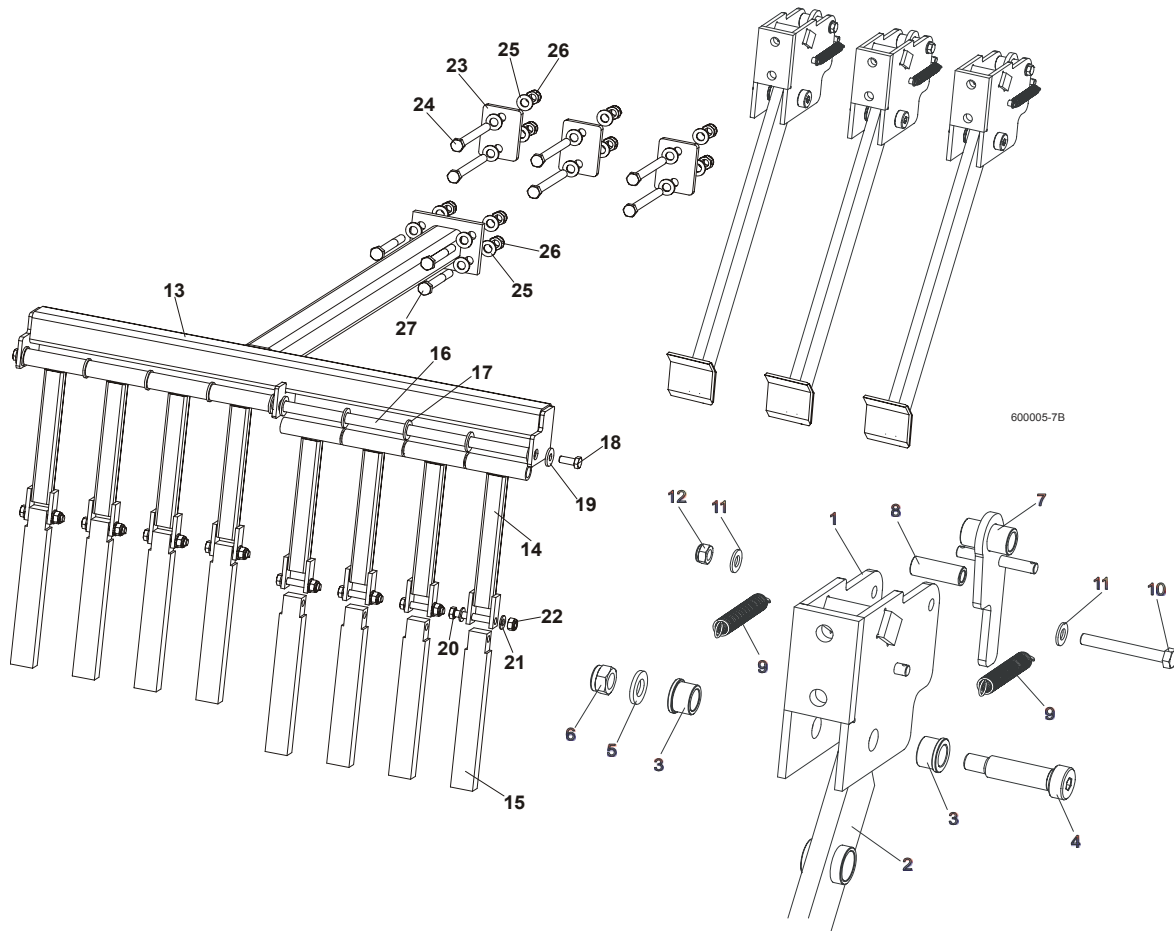


REF	DESCRIPTION (◆ Indicates Parts Available In Assemblies Only)	PART #	QTY.
	TENSIONER ASSEMBLY, DRIVE BELT	088786	1
1	Pivot Weldment, Drive Belt Tensioner	088810-1	1
2	Wheel, Belt Tension	088814	1
3	Ring, 62 mm Inside Spring Retaining	F81090-1	2
4	Bearing, 6305 2RS NSK	P08066	2
5	Washer, 11 Dia. Zinc Flat Special	088787-1	1
6	Bolt, M10x20-5.8 Hex Head Full Thread Zinc	F81003-1	1
7	Key, A8X7X32 Parallel	088564	1
8	Arm Weldment, Drive Belt Tensioner	088807-1	1
9	Washer, 17 Zinc Flat	F81058-1	1
10	Nut, M16-5.8 Zinc Hex	F81036-2	1
11	Bolt, 8/M6X20 12.9 ISO 7379 BOSSARD	F81001-25	1
12	Washer 6.4 Zinc Flat	F81053-1	1
13	Nut, M6-8-B Hex Nylon Zinc Lock	F81031-2	1
14	Rod Weldment, Threaded Zinc-Plated	088789-1	1
15	Tube Weldment, Threaded Zinc-Plated	088782-1	1

4 Saw Head

Board Return Assembly (optional)

4.3 Board Return Assembly (optional)



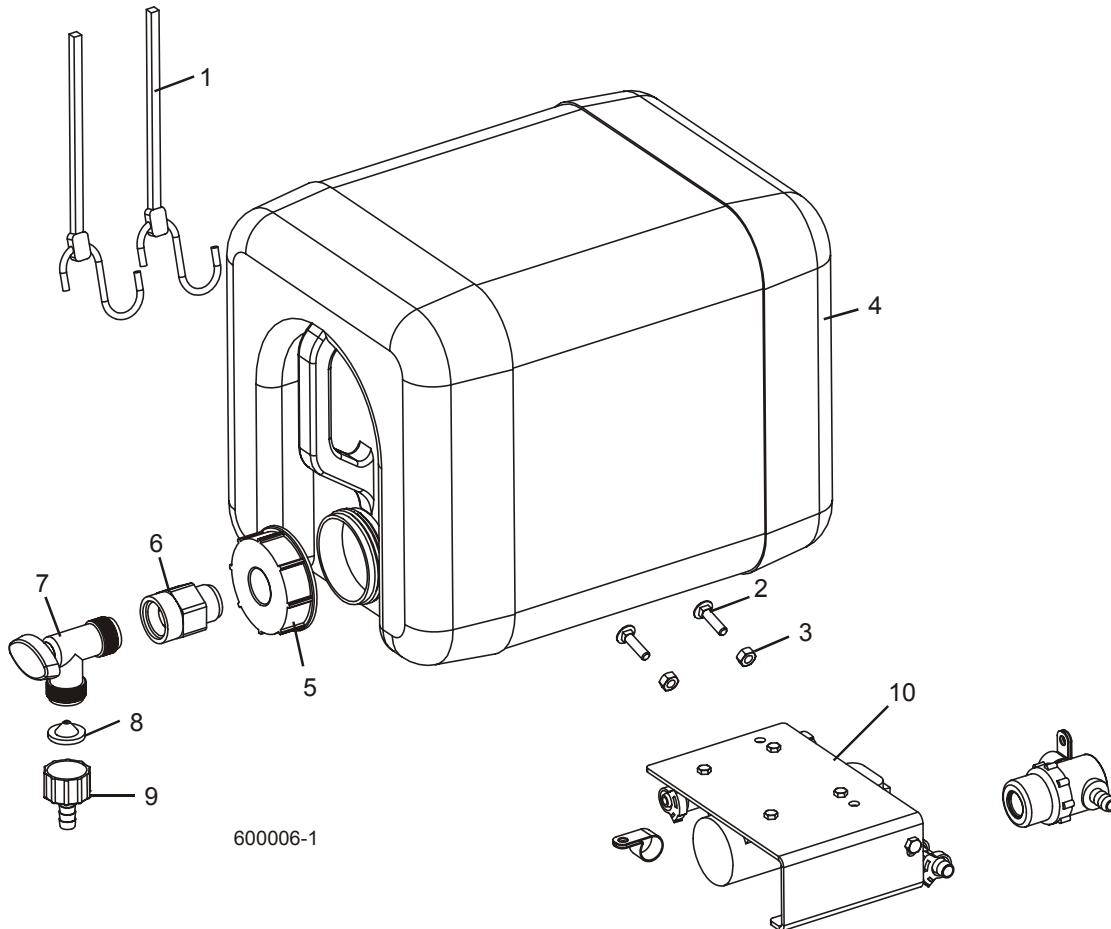
REF	DESCRIPTION (◆ Indicates Parts Available In Assemblies Only)	PART #	QTY.
	BOARD RETURN ASSEMBLY, LT70	092757	1
	Board Return Assembly	090120	3
1	Mount Weldment, Board Return Arm	090109-1	3
2	Arm, Board Return	090112-1	3
3	Bushing, Bronze	086676	6
4	Bolt, 16/M12x50-12.9 ISO7379-BOSSARD Socket Head	F81004-25	3
5	Washer, 13 Zinc Flat	F81056-1	3
6	Nut, M12-8 Hex Nylon Zinc Lock	F81034-2	6
7	Latch Weldment, Board Return Arm	090118-1	3
8	Spacer, Zinc	090115-1	3
9	Spring, 1/2 x 2 1/4 x 0,06 Extension	014817	6
10	Bolt, M8 x 65-5.8 Hex Head Zinc	F81002-3	3
11	Washer, 8.4 Zinc Flat	F81054-1	6

12	Nut, M8-8-B Hex Nylon Zinc Lock	F81032-2	3	
	Guide, Board Return	091076	1	
13	Guide Weldment, Board Return	091067-1	1	
14	Bar Weldment, Board Guide Upper	091070-1	8	
15	Bar, Board Guide Lower Aluminium	091071	8	
16	Rod, Board Return Guide	091074	1	
17	Washer, M16, Flat Zinc	F81058-1	10	
18	Bolt, M10x25 8.8, Hex Head, Full Thrd, Zinc	F81003-31	2	
19	Washer, 10,5 Fe/Zn5	F81055-6	2	
20	Bolt, M10x60 -8.8, Hex Head, Full Thrd, Zinc	F81003-10	8	
21	Washer, M10, Flat Zinc	F81055-1	16	
22	Nut, M10, Nylon Hex Zinc Lock	F81033-1	8	
23	Washer, Special	092756-1	3	
24	Bolt, M12x120, Hex Head, Full Thrd, Zinc	F81004-38	6	
25	Washer, 13 Zinc	F81056-1	20	
26	Nut, M12 Hex Nylon Zinc Lock	F81034-2	10	
27	Bolt, M12x100, Hex Head, Full Thrd, Zinc	F81004-3	4	

4 Saw Head

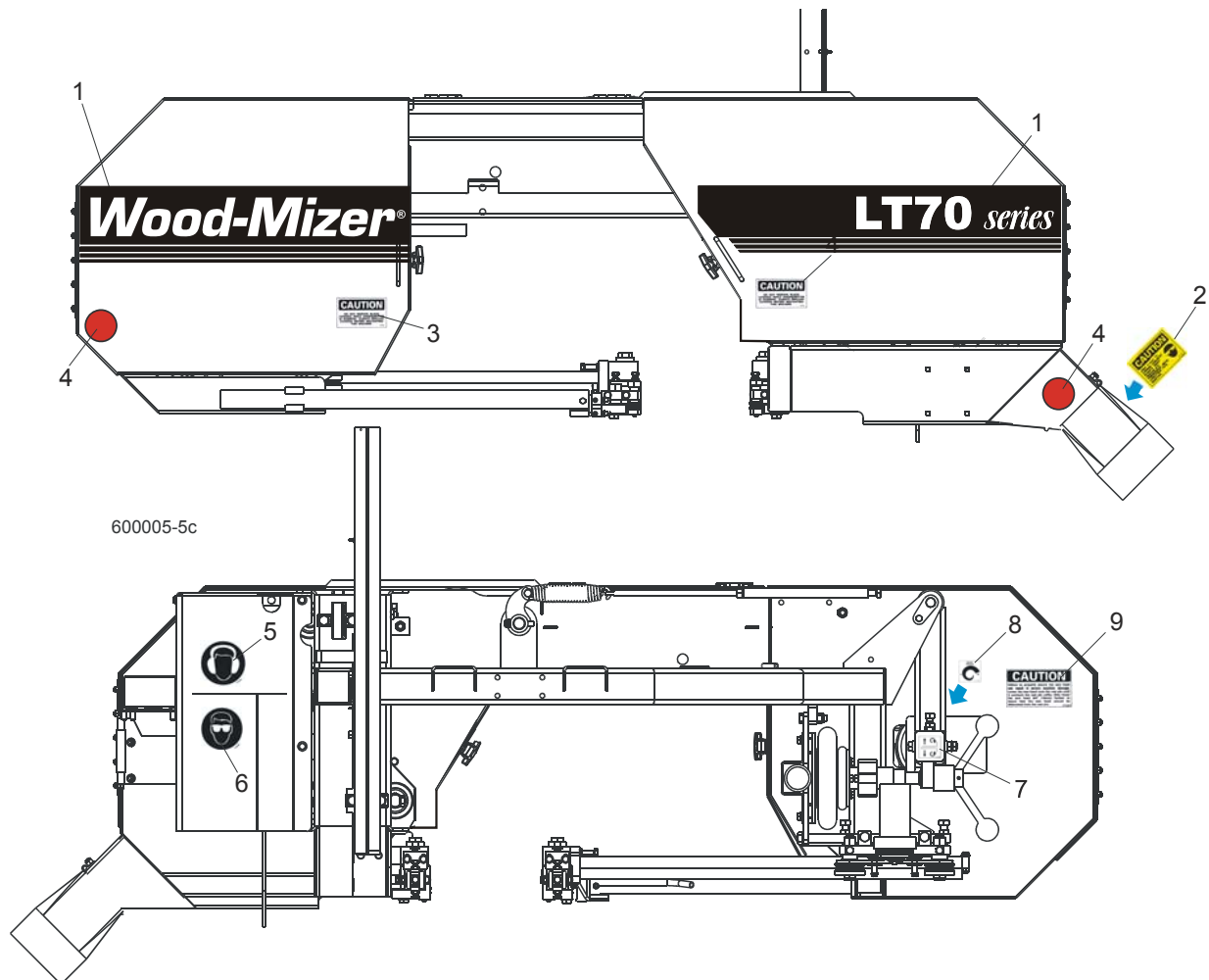
Water Lube Assembly

4.4 Water Lube Assembly



REF	DESCRIPTION (◆ Indicates Parts Available In Assemblies Only)	PART #	QTY.	
1	STRAP, 20" RUBBER	P11668	2	
2	BOLT, 1/4-20 X 1" CARRIAGE HEAD	F05005-34	2	
3	NUT, 1/4-20 HEX LOCK	F05010-21	2	
4	BOTTLE, 5-GALLON WATER LUBE	014637	1	◆
5	CAP, WATER LUBE BOTTLE BUTTRESS THREAD	014773	1	
6	FITTING, 3/4FPT X 3/4MPT	014636	1	
7	FITTING, WATER LUBE SHUTOFF VALVE	014100	1	
8	FILTER, WATER LUBE	016086	1	
9	FITTING, 5/8" NPT TO 3/8" HOSE BARB	014113	1	
10	LUBEMIZER PARTS/HOSES (SEE LUBEMIZER OPTION MANUAL)			

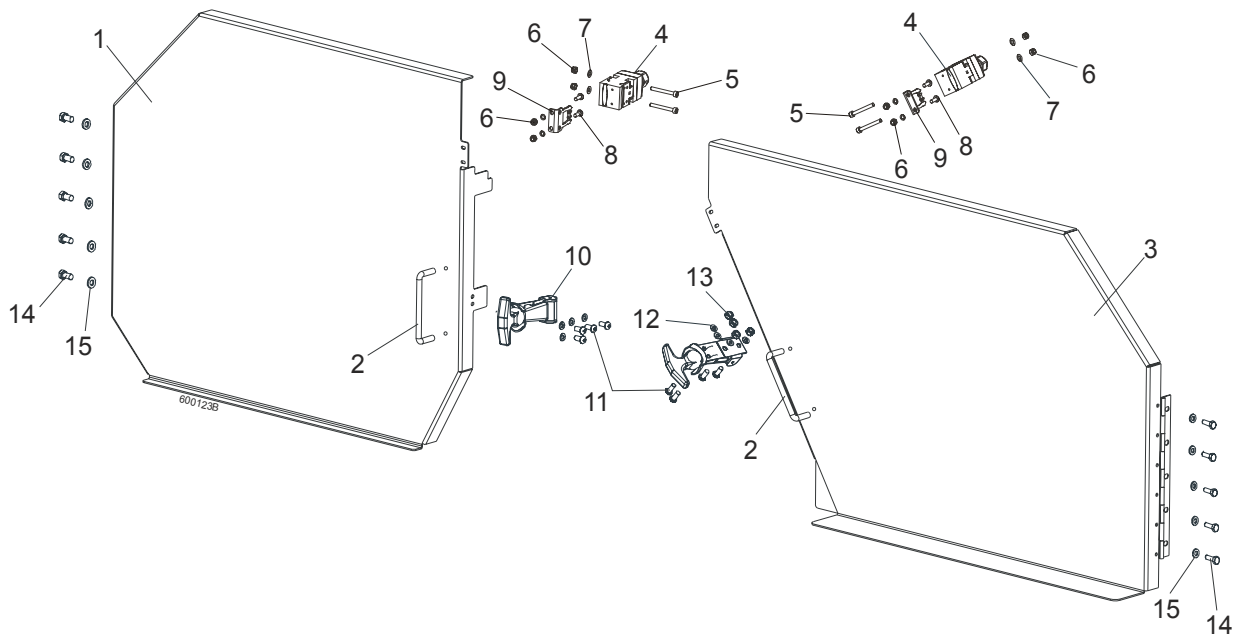
4.5 Saw Head Decals



REF	DESCRIPTION (◆ Indicates Parts Available In Assemblies Only)	PART #	QTY.
1	DECAL, LT70 LOGO	092764	1
2	DECAL, SAWDUST CHUTE CAUTION	P11754	1
3	DECAL, BLADE COVERS DANGER	S20039	2
4	REFLECTOR, 2" RED	P07452	2
5	DECAL, EYE WARNING	S12004G	1
6	DECAL, EAR WARNING	S12005G	1
7	DECAL, BLADE ALIGNMENT	P11789	1
8	DECAL, BLADE TENSION SCREW	P11790	1
9	DECAL, SAW HEAD REST CAUTION	S12581	1

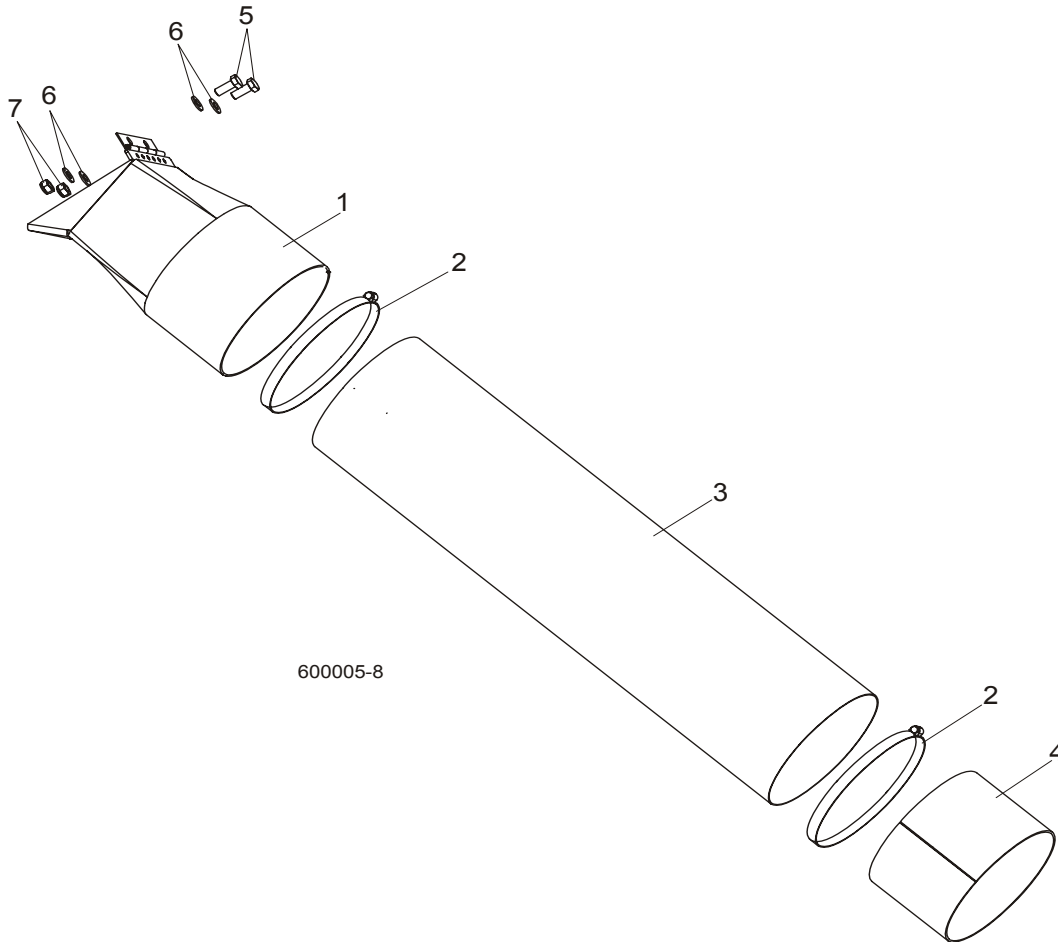
4 Saw Head Blade Housing Covers

4.6 Blade Housing Covers



REF	DESCRIPTION (◆ Indicates Parts Available In Assemblies Only)	PART #	QTY.
	COVER ASSEMBLY, IDLE SIDE BLADE HOUSING	088920	1
1	Cover Assembly, Idle Side Blade Housing, Ptd	088915-1	1
2	Handle, Blade Housing Cover	P08065	1
	COVER ASSEMBLY, DRIVE SIDE BLADE HOUSING	088921	1
3	Cover Assembly, Drive Side Blade Housing, Ptd	088917-1	1
2	Handle, Blade Housing Cover	P08065	1
4	SAFETY SWITCH, AZ17-11ZRK	094232	2
5	BOLT, M4 X 35-8.8 SOCKET HEAD	F81011-34	4
6	NUT, M4-B HEX NYLON ZIN	F81028-2	8
7	WASHER 4,3 ZINC, FLAT	F81051-2	8
8	SCREW, M4 X 12-5.8	F81011-41	4
9	KEY, AZ17/170-B5 SAFETY SWITCH	094422	4
10	LATCH, FLEXIBLE DRAW	014829	2
11	BOLT, M5X12-5.8	F81000-5	8
12	WASHER 5,3 ZINC FLAT	F81052-1	8
13	NUT M5-8 DIN 985 ZINC	F81030-2	8
14	BOLT, M6X16 8.8 HEX HEAD FULL THREAD ZINC	F81001-15	10
15	WASHER 6.4 ZINC FLAT	F81053-1	10

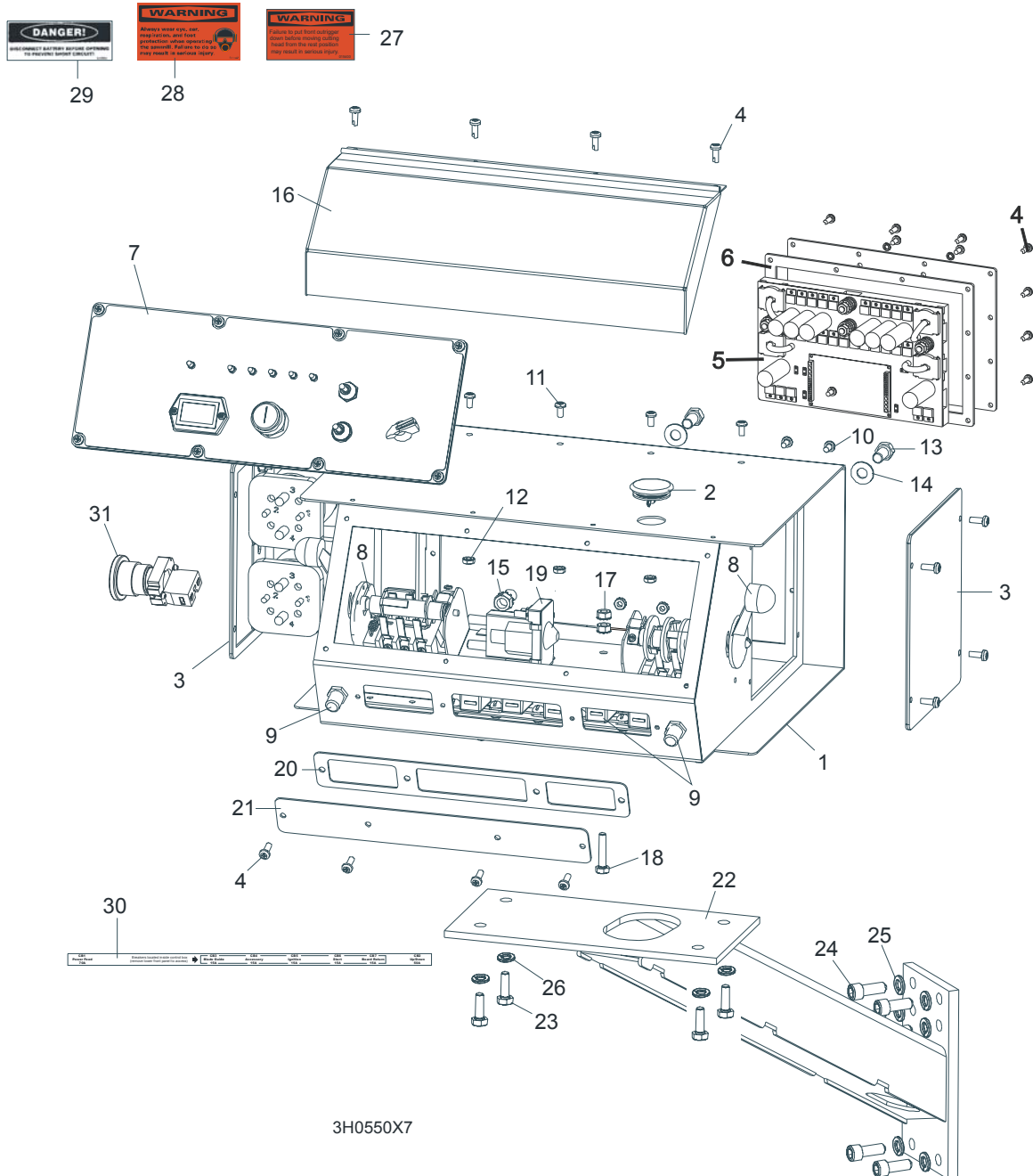
4.7 Sawdust Chute



REF	DESCRIPTION (◆ Indicates Parts Available In Assemblies Only)	PART #	QTY.	
1	CHUTE WELDMENT, SAWDUST	089352-1	1	
2	CLAMP, 152 MM	089358	2	
3	TUBE, SAWDUST CHUTE	090153	1	
4	TUBE, CHUTE END	090126-1	1	
5	BOLT, M8X20-8.8-B HEX HEAD FULL THREAD ZINC	F81002-4	2	
6	WASHER 8.4 ZINC FLAT	F81054-1	4	
7	NUT, M8-8-B HEX NYLON ZINC LOCK	F81032-2	2	

SECTION 5 CONTROL & BATTERY BOXES

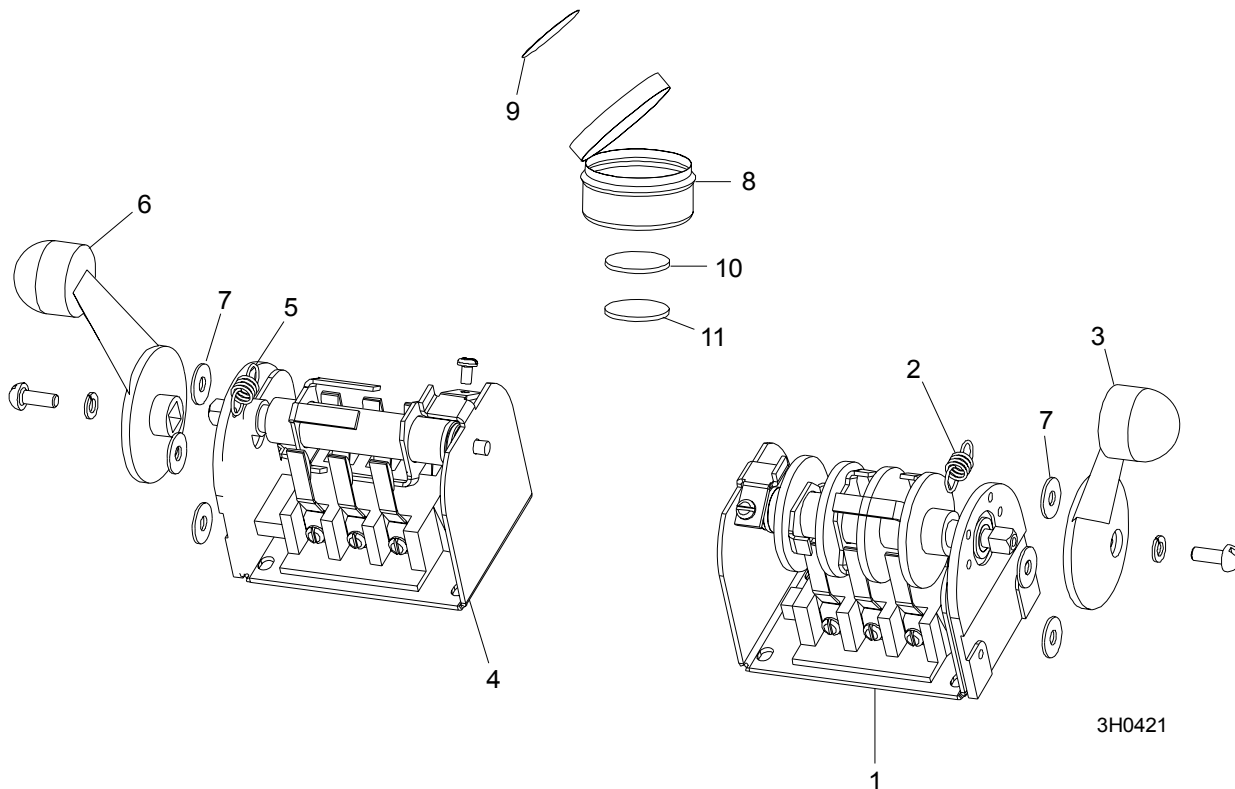
5.1 Control Assembly (Gas/Diesel)



REF	DESCRIPTION (◆ Indicates Parts Available In Assemblies Only)	PART #	QTY.
	CONTROL BOX ASSEMBLY, D42	095000	1

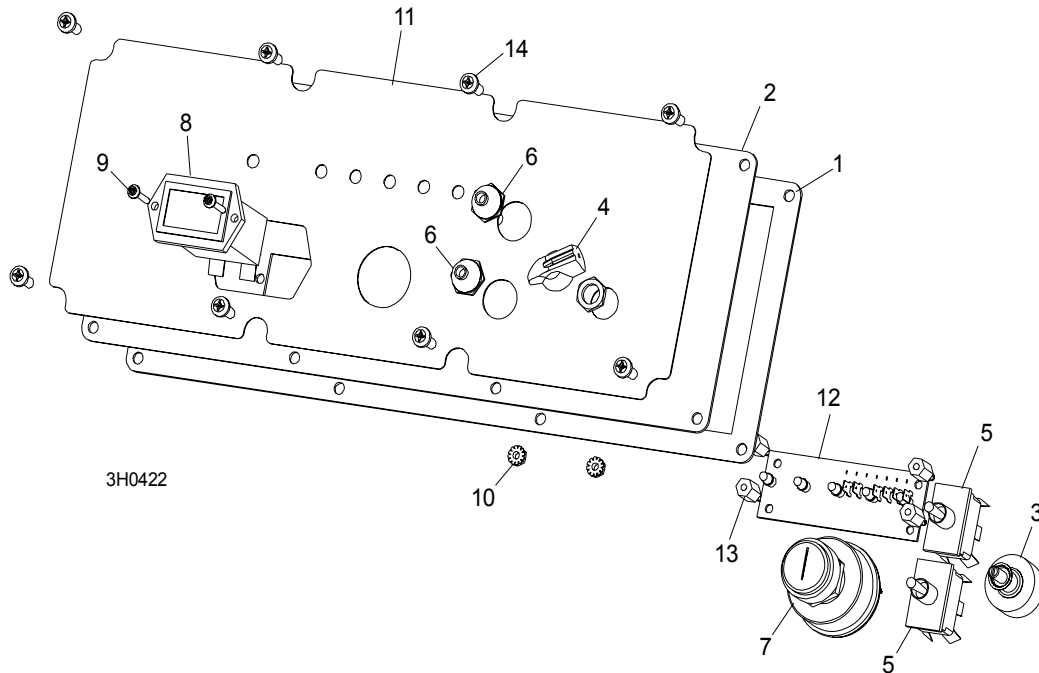
1	DC Control Box	095012-1	1	
2	Plug, AS075 Oiltite	E20570	1	
3	Solenoid Parts (See Section 5.5)			
4	Screw, #10-24 x 1/2" Pan Head	F05015-17	16	
5	Panel Assembly, Power Feed Control	095010-1	1	
	Circuit Board, Control Box Power Feed	051667	1	
6	Gasket, Rear Access Panel	095011	1	
7	Front Control Panel & Wiring Harnesses (Section 5.3)			
8	Drum Switches (Section 5.2)			
9	Circuit Breakers (Section 5.4)			
10	Screw, #10-24 x 3/8" Phillips Pan Head	F05004-3	2	
11	Screw, #10-24 x 3/8" Phillips Pan Head Machine with Neo Washer	F05004-148	4	
12	Nut, #10-24 Self Locking	F05010-14	6	
13	Bolt, 3/8-16 x 3/4" Hex Head	F05007-27	2	
14	Washer, 10.5 Flat	F81055-1	2	
15	Nut, 3/8" Lock Nut	F05010-19	2	
16	Cover, Control Box Hinged	015304	1	
17	Nut, 1/4-20 Self-locking	F05010-9	2	
18	Bolt, 1/4-20 x 1 1/4" Hex Head Tap	F05005-3	1	
19	Solenoid, 200A 12V SPST	015470	1	
	Diode Assembly, Solenoid Coil Chassis GND	087496	1	
20	Gasket, Front Access Panel	015266	1	
21	Panel, Control Box Front Access	086704-1	1	
22	MOUNT WELDMENT, STANDARD CONTROL BOX	086732-1	1	
23	NUT, 5/16-18 SELF-LOCKING HEX	F05010-20	4	
24	BOLT, M10 X 25-8.8 SOCKET HEAD	F81003-32	4	
25	WASHER, 10.2 SPLIT LOCK	F81055-2	4	
26	WASHER, 3/8" EXTERIOR STAR LOCK	F05011-36	4	
27	DECAL, FRONT OUTRIGGER WARNING	015400	1	
28	DECAL, EAR/EYE PROTECTION WARNING	S11753	1	
29	DECAL, DISCONNECT BATTERY DANGER	S12002	1	
30	DECAL, CIRCUIT BREAKER ID ('98 SUPER)	024362	1	
31	SWITCH, RED EMERGENCY STOP XALJ174F	E22703-2	1	

5.2 Drum Switches



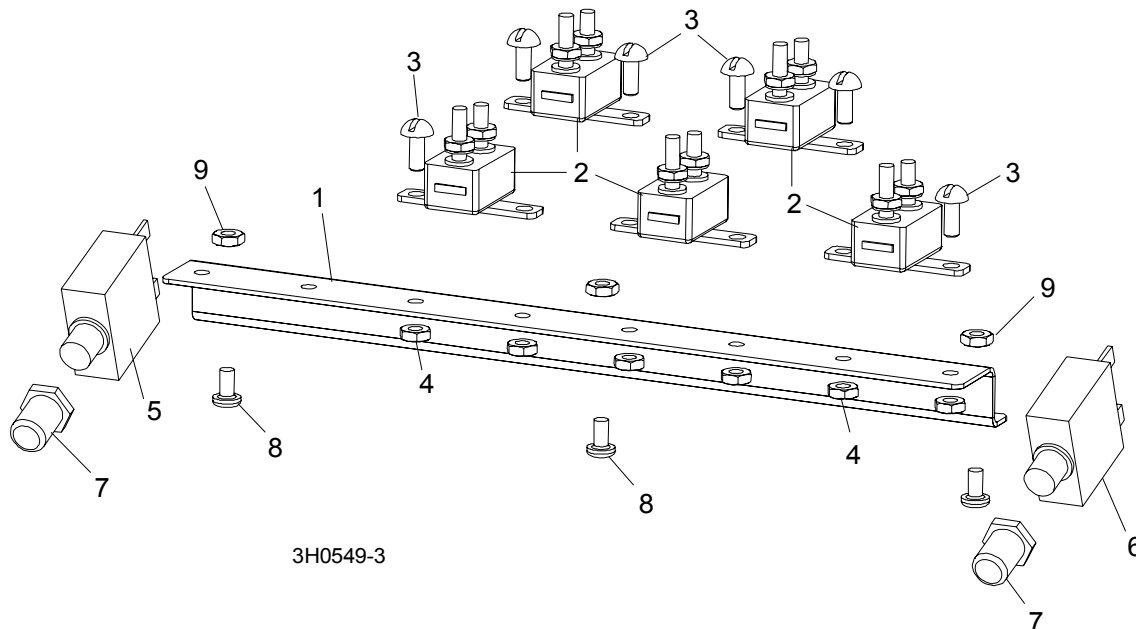
REF	DESCRIPTION (◆ Indicates Parts Available In Assemblies Only)	PART #	QTY.	
	SWITCH ASSEMBLY, UP/DOWN DRUM	E20440	1	
1	Switch, S12 Bulk Drum	E20440-B	1	◆
2	Spring, Drum Switch	P12570	1	
3	Handle, Drum Switch Replacement	P12500	1	
	SWITCH ASSEMBLY, POWER FEED DRUM	E20438	1	
4	Switch, S10 Bulk Drum	E20438-B	1	◆
5	Spring, Drum Switch	P12570	1	
6	Handle, Drum Switch Replacement	P12500	1	
7	WASHER, #8 SAE FLAT	F05011-41	6	
	CUP ASSEMBLY, DRUM SWITCH GREASE	A20463	1	
8	Cup, Plastic Container	P20464	1	◆
9	Decal, Grease Cup Label	P20467	1	
10	Pad, Velcro Loop	P20466	1	◆
11	Pad, Velcro Hook	P20465	1	◆
	Grease, High Temp Drum Switch	P20468	.011ml	◆

5.3 Front Panel Assembly & Harnesses



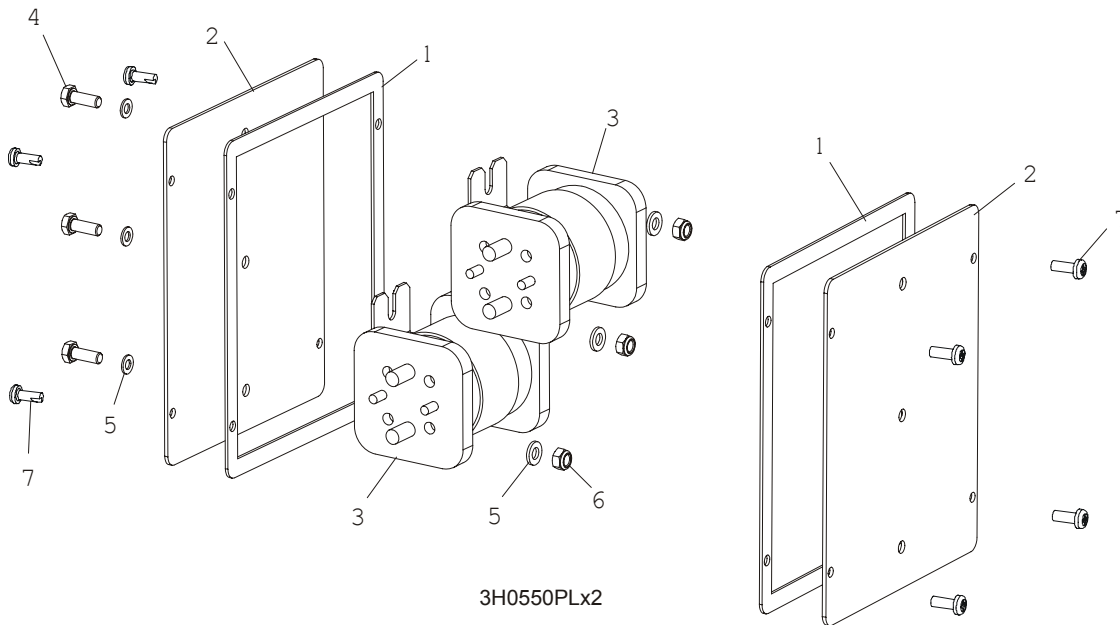
REF	DESCRIPTION (◆ Indicates Parts Available In Assemblies Only)	PART #	QTY.
	PANEL ASSEMBLY, CONTROL FRONT (E25)	086760	1
	PANEL ASSEMBLY, CONTROL FRONT (D42)	087401	1
1	Gasket, Front Panel	088387	1
2	Panel Weldment, Control	015302	1
3	Switch Assembly, Feed Rate	E20519	1
4	Knob, Feed Rate With Set Screw	P06257	1
5	Switch, Toggle	024200	2
6	Boot, Toggle Switch Rubber	P02575	2
7	Switch, Key	P04350	1
8	Meter, Hour	015401	1
9	Screw, 6-42 x 3/4" Socket Button Head Cap Stainless Steel	F05004-93	2
10	Nut, 6-23 Self Locking	F05010-59	2
11	Decal, Control Panel (E25)	015271	1
	Decal, Control Panel (D42)	015269	1
12	Board, LED Circuit (E25)	015416	1
	Board, LED Circuit (D42)	015409	1
13	Spacer, 1/2" #6 Threaded	023147	4
	HARNESS ASSEMBLY, UPPER WIRING (E25)	024843	1
	HARNESS ASSEMBLY, UPPER WIRING (D42)	087107	1
	HARNESS ASSEMBLY, LOWER WIRING (D42)	087106	1
	HARNESS ASSEMBLY, LOWER WIRING (E25)	015421	1
14	Screw, #10-24 x 1/2" Pan Head	F05015-17	8

5.4 Circuit Breakers



REF	DESCRIPTION (◆ Indicates Parts Available In Assemblies Only)	PART #	QTY.
	BREAKER ASSEMBLY, SAWMILL CONTROL CIRCUIT	015621	1
1	Rail, Circuit Breaker	015310	1
2	Breaker, 15 Amp Manual Reset	E20430	5
3	Screw, #8-32 X 1/2" Slotted Head	F05004-12	6
4	Nut, #8-32 Hex Self-Locking	F05010-41	6
5	BREAKER, 70 AMP MANUAL RESET PANEL MOUNT	015527	1
6	BREAKER, 50 AMP MANUAL RESET PANEL MOUNT	021256	1
7	BOOT, CIRCUIT BREAKER	021253	2
8	SCREW, #10-24 X 3/8" PHILLIPS PAN HEAD	F05004-3	3
9	NUT, #10-24 SELF LOCKING	F05010-14	3

5.5 Solenoids

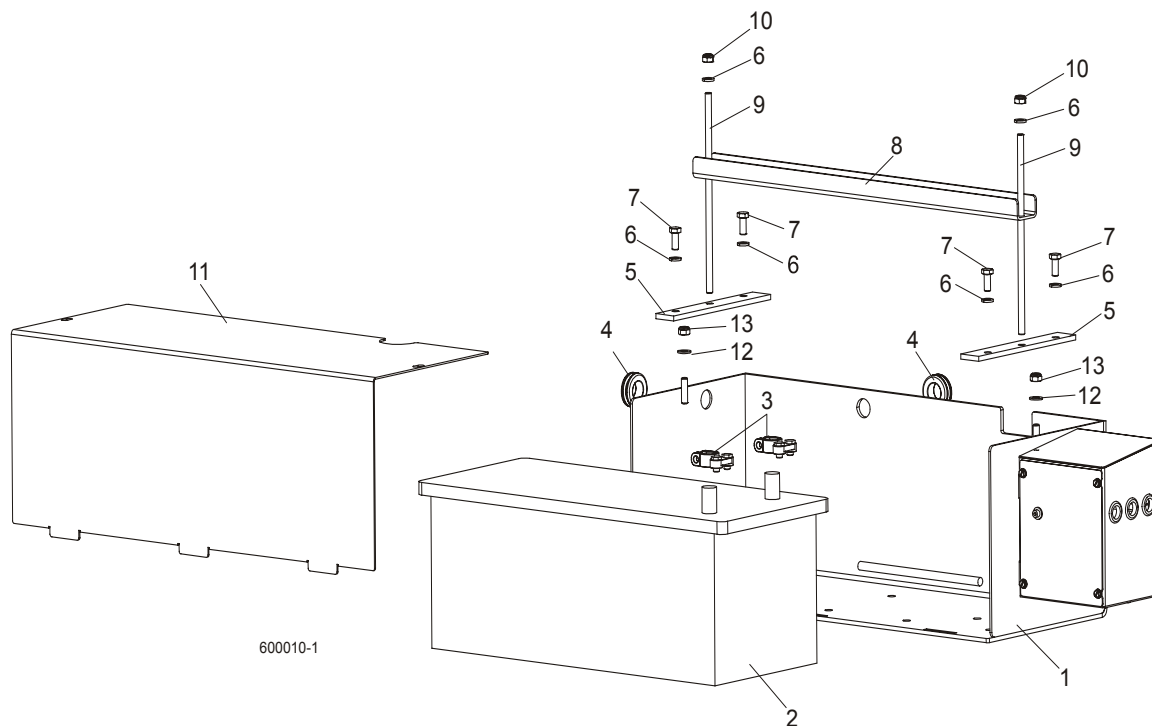


REF	DESCRIPTION (◆ Indicates Parts Available In Assemblies Only)	PART #	QTY.
1	GASKET, SIDE PANEL	015274	2
2	PANEL WELDMENT, SIDE	015307	2
3	SOLENOID, 200A 12V SPST HYDRAULIC PUMP	015470	2
4	BOLT, M6X16 5.8 HEX HEAD FULL THREAD ZINC	F81001-14	3
5	WASHER, 6.4 FLAT ZINC	F81053-1	6
6	NUT, M6-8-B HEX NYLON ZINC LOCK	F81031-2	3
	DIODE ASSEMBLY, SOLENOID COIL CHASSIS GND	087496	4
7	BOLT, #10-24 X 1/2 PHILLIPS PAN HEAD TYPE 23	F05015-17	8

5 Control & Battery Boxes

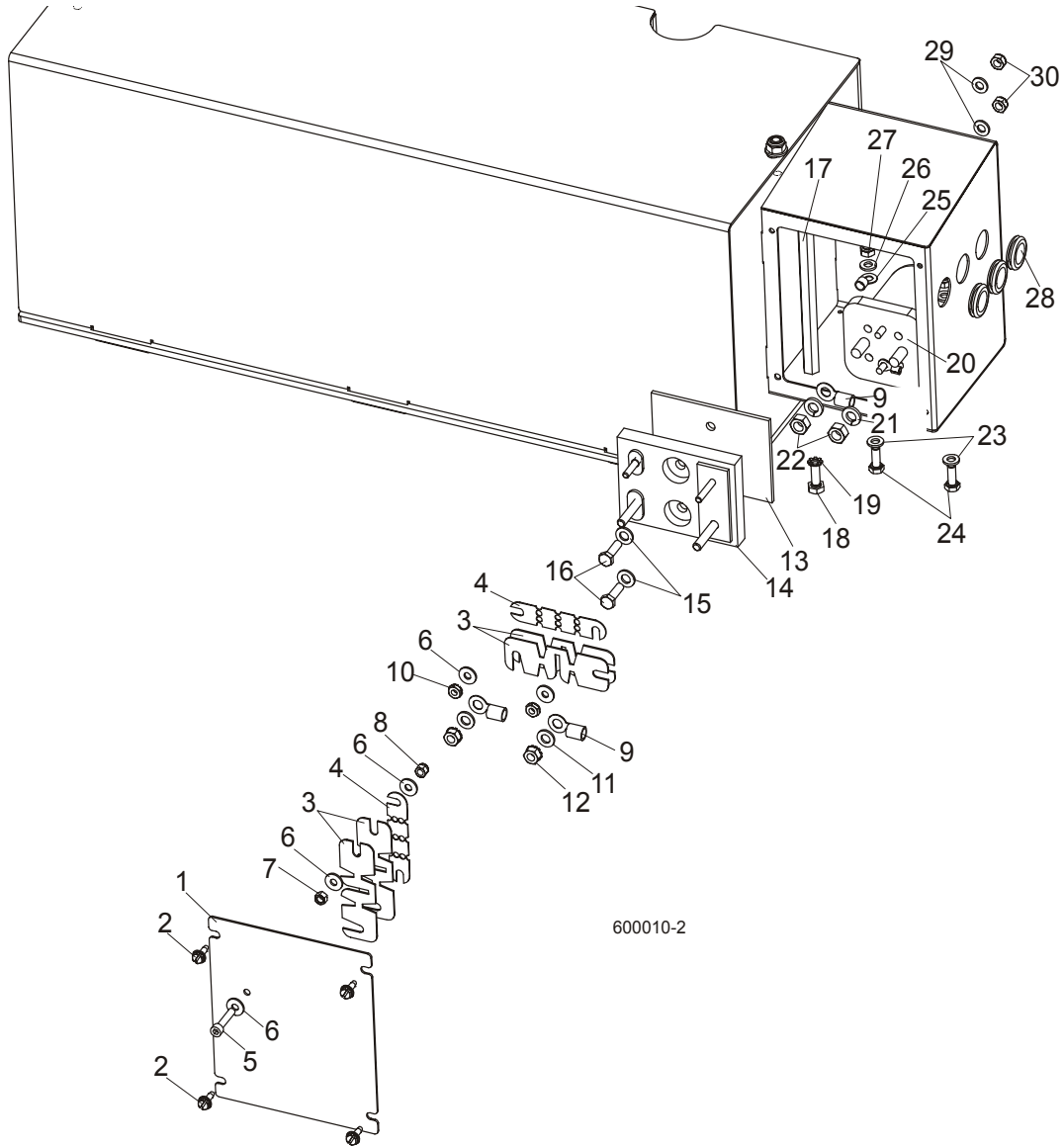
Battery Box Assembly (Sawmills w/D42 Engine Only)

5.6 Battery Box Assembly (Sawmills w/D42 Engine Only)



REF	DESCRIPTION (◆ Indicates Parts Available In Assemblies Only)	PART #	QTY.
	BATTERY BOX - COMPLETE	089794	1
1	Box Weldment, Battery Painted	088677-1	1
2	Battery, 12V 180Ah "BANNER"	089369	1
3	Terminal, Battery	P05085	2
4	Grommet, 22mm Dia. Rubber	087400	2
5	Bar, Battery Retainer Painted	088538-1	2
6	Washer, 8.2 Split Lock Zinc	F81054-4	6
7	Bolt, M8x20-5.8 Hex Head Full Thread Zinc	F81002-1	4
8	Bracket, Battery Hold-Down Painted	088357-1	1
9	Bolt, Battery Hold-Down Painted	088356-1	2
10	Nut, M8-8-B Hex Nylon Zinc Lock	F81032-2	2
11	COVER, BATTERY BOX PAINTED	088362-1	1
12	WASHER, 8.4 FLAT ZINC	F81054-1	2
13	NUT, M8-8-B HEX NYLON ZINC LOCK	F81032-2	2

5.7 Fuse Box Assembly (Sawmills w/D42 Engine Only)



REF	DESCRIPTION (◆ Indicates Parts Available In Assemblies Only)	PART #	QTY.
1	COVER, FUSE BOX PAINTED	086272-1	1
2	SCREW, #10-24x1/2 SELF-TAPPING	F05015-7	4
3	FUSE, 12V 225 AMP	P11550	4
4	FUSE LINK, 12V 150 AMP	023361	2
5	SCREW, M5x25-8.8 HEX SOCKET HEAD CAP ZINC	F81000-7	1
6	WASHER, 5.5 SPECIAL FLAT ZINC	F81052-3	5
7	NUT, M5-8 HEX ZINC	F81030-1	1
8	NUT, M5-8 DIN 985 ZINC-PLATED	F81030-2	1

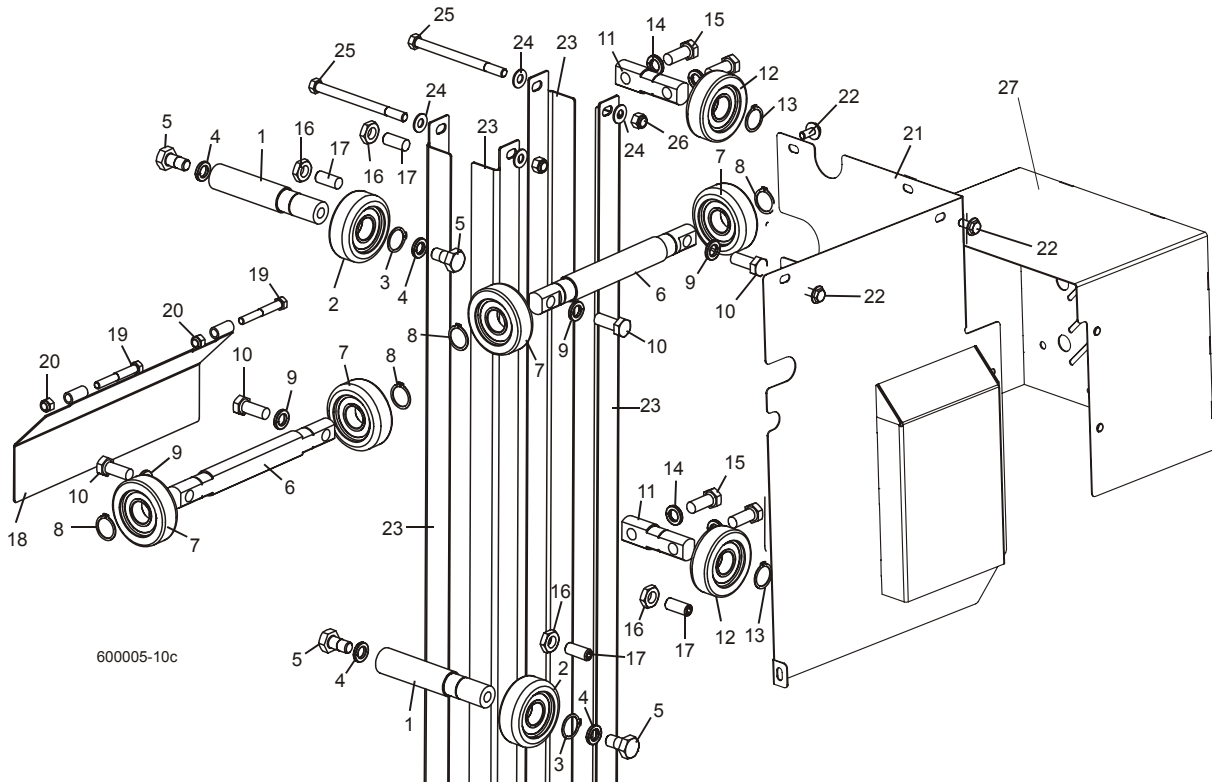
5 Control & Battery Boxes

Fuse Box Assembly (Sawmills w/D42 Engine Only)

9	TERMINAL, KO35/8 RING	F81066-3	3	
10	NUT, #10-20 SELF-LOCKING ZINC-PLATED	F05010-14	2	
11	WASHER, 7.4 FLAT ZINC	F81056-11	2	
12	NUT, 1/4-20 SELF-LOCKING ZINC-PLATED	F05010-9	2	
13	PLATE, 1/8" PLASTIC (FUSE BOX)	015287	1	
14	BLOCK ASSEMBLY, SUPER FUSE	015288	1	
15	WASHER, 7.4 FLAT ZINC	F81056-11	2	
16	BOLT, M6X20-8.8 HEX HEAD FULL THREAD ZINC	F81001-2	2	
17	NUT, FUSE STUD EXTENDED	015517	1	
18	BOLT, 1/4-20 X 3/4" HEX HEAD FULL THREAD ZINC	F05005-1	1	
19	WASHER, 6.4 EXTERIOR STAR ZINC LOCK	F81053-2	1	
20	SOLENOID, 200A 12V SPST CONTINUOUS DUTY	015470	1	
21	WASHER, 8.2 SPLIT LOCK ZINC	F81054-4	2	
22	NUT, 5/16-24 HEX ZINC	F05010-28	2	
23	WASHER, 6.4 FLAT ZINC	F81053-1	2	
24	BOLT, M6X16 8.8 HEX HEAD FULL THREAD ZINC	F81001-15	2	
25	TERMINAL, KO1/8 RING	F05092-7	1	
26	WASHER, 6.4 FLAT ZINC	F81053-1	2	
27	NUT, M6-8-B HEX NYLON ZINC LOCK	F81031-2	2	
28	GROMMET, 5/8" ID RUBBER	P11764	3	
29	WASHER, 6.4 FLAT ZINC	F81053-1	2	
30	NUT, M6-8-B HEX NYLON ZINC LOCK	F81031-2	2	

SECTION 6 UP/DOWN SYSTEM

6.1 Up/Down Rollers & Covers



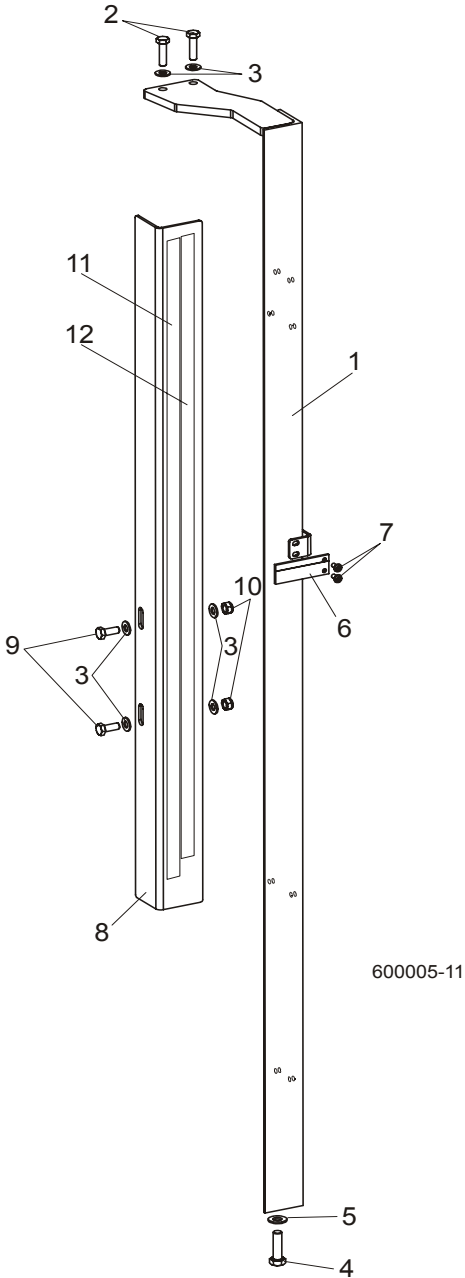
REF	DESCRIPTION (◆ Indicates Parts Available In Assemblies Only)	PART #	QTY.
	ROLLER ASSEMBLY, INSIDE UP/DOWN	089456	2
1	Shaft, Inside Up/Down Roller	088817-1	1
2	Bearing, CBK-468 Rolling	088433	1
3	Ring, Z30 Spring Retaining	F81090-23	1
4	Washer, 13 Zinc Flat	F81056-1	2
5	Bolt, M12x25-8.8 Hex Head Full Thread Zinc	F81004-31	2
	ROLLER ASSEMBLY, OUTSIDE UP/DOWN	089454	2
6	Shaft, Long Up/Down Roller	088815-1	1
7	Bearing, CBK-468 Rolling	088433	2
8	Ring, Z30 Spring Retaining	F81090-23	2
9	Washer, 10.5 Zinc Flat	F81055-1	3
10	Bolt, M10x35-8.8 Hex Head Full Thread Zinc	F81003-17	3
	ROLLER ASSEMBLY, SHORT UP/DOWN	089455	2
11	Shaft, Short Up/Down Roller	088816-1	1
12	Bearing, CBK-468 Rolling	088433	1
13	Ring, Z30 Spring Retaining	F81090-23	1

6 Up/Down System

Up/Down Rollers & Covers

14	Washer, 10.5 Zinc Flat	F81055-1	2	
15	Bolt, M10x35-8.8 Hex Head Full Thread Zinc	F81003-17	2	
16	NUT, M10-04-W HEX ZINC THIN	F81033-6	4	
17	SCREW, GN 913.3-M10-40-MS SET	F81003-65	4	
18	COVER WELDMENT, UP/DOWN ROLLER	089483-1	1	
19	BOLT, M8X16-8.8-B HEX HEAD FULL THREAD ZINC	F81002-20	4	
20	WASHER, 8.4 ZINC FLAT	F81054-1	9	
21	GUARD WELDMENT, RA-08 UP/DOWN GEAR BOX SIDE PTD	091319-1	1	
22	BOLT, M8X12-8.8 HEX HEAD FULL THREAD ZINC	F81002-6	5	
23	ANGLE, MAST TUBE STAINLESS	088492	4	
24	WASHER, 10.5 ZINC FLAT	F81055-1	12	
25	BOLT, M10X125-8.8 HEX HEAD ZINC	F81003-18	4	
26	NUT, M10-8-B HEX NYLON ZINC LOCK	F81033-1	4	
27	GUARD, UP/DOWN MOTOR PAINTED	090501-1	1	

6.2 Blade Height Scale



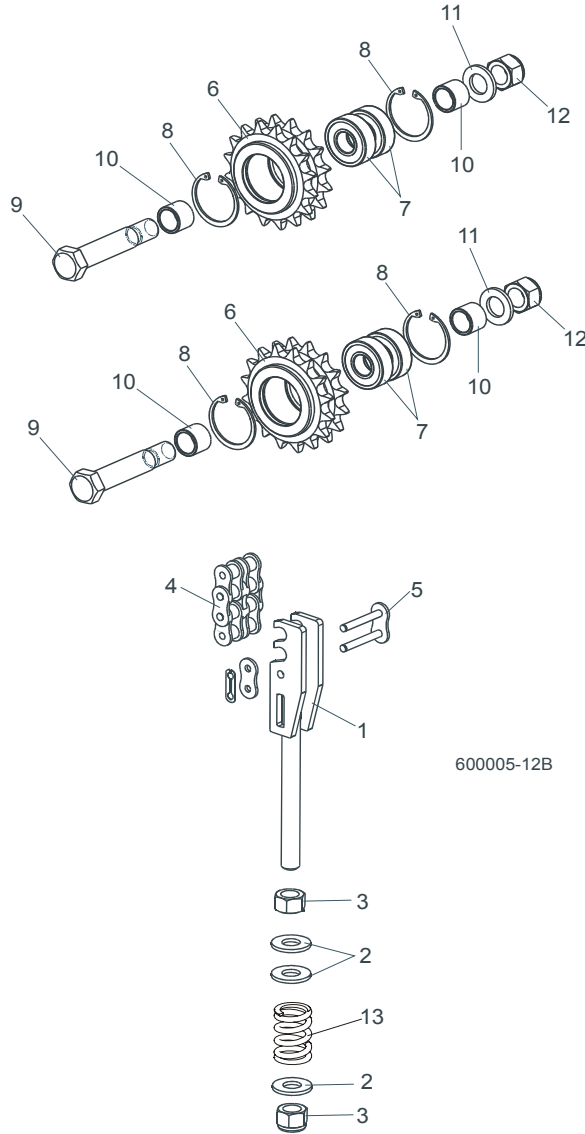
REF	DESCRIPTION (◆ Indicates Parts Available In Assemblies Only)	PART #	QTY.
1	MOUNT WELDMENT, SCALE PAINTED	088554-1	1
2	BOLT, M8 x 30-8.8-B HEX HEAD FULL THREAD ZINC	F81002-7	2
3	WASHER, 8.4 ZINC FLAT	F81054-1	6
4	BOLT, M10 x 35-8.8 HEX HEAD FULL THREAD ZINC	F81003-17	1
5	WASHER, 10.5 ZINC FLAT	F81055-1	1

6 Up/Down System

Blade Height Scale

6	INDICATOR, BLADE HEIGHT SCALE	094821	1	
7	SCREW, #10-24 X 3/8 PHILLIPS PAN HEAD ZINC	F05004-3	2	
8	ANGLE, SCALE MOUNT	088785-1	1	
9	BOLT, M8 X 20-8.8-B HEX HEAD FULL THREAD ZINC	F81002-4	2	
10	NUT, M8-8-B HEX NYLON ZINC LOCK	F81032-2	2	
11	DECAL, METRIC SCALE	S11711	1	
12	DECAL, 16-40 MM METRIC SCALE	P12040-1	1	

6.3 Up/Down Chain & Sprockets



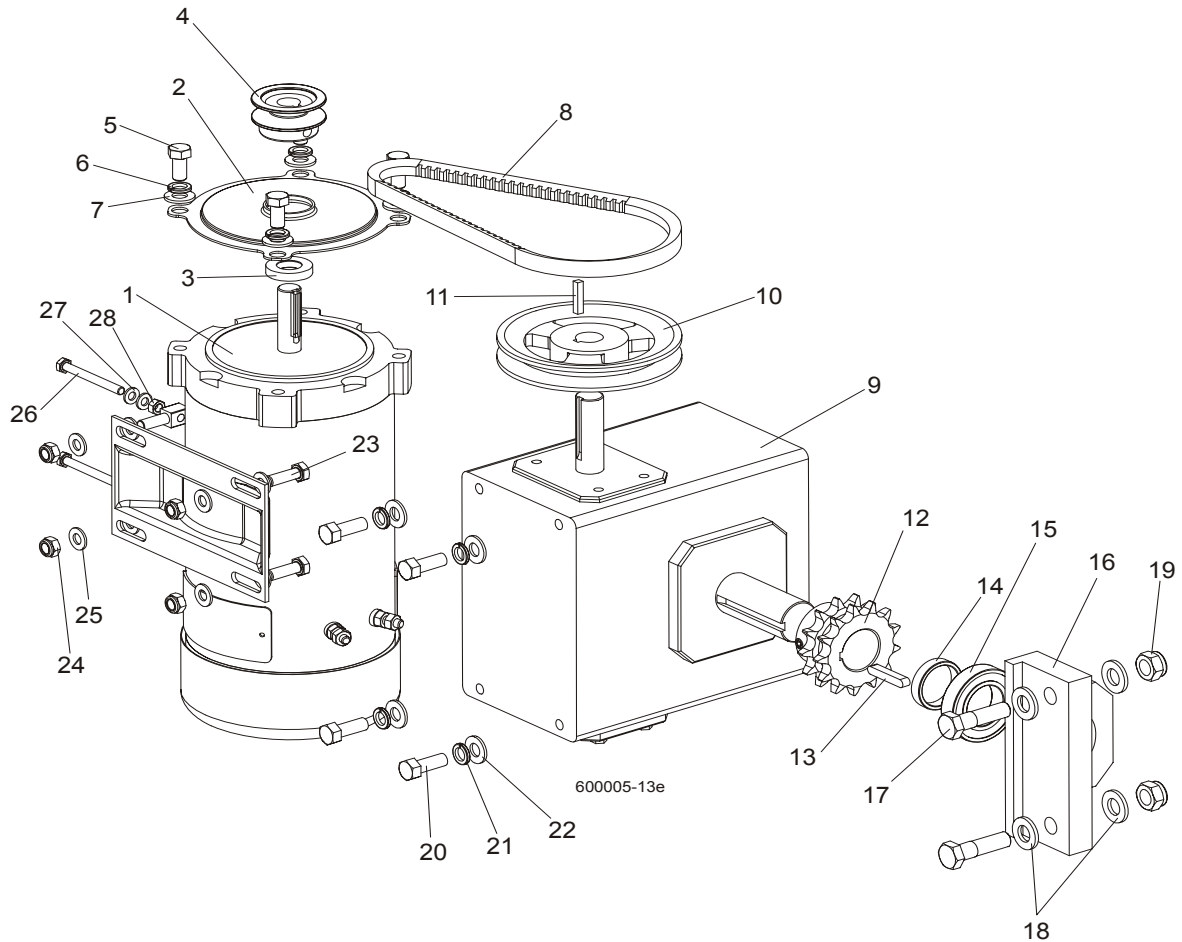
REF	DESCRIPTION (◆ Indicates Parts Available In Assemblies Only)	PART #	QTY.
1	TENSIONER WELDMENT, UP/DOWN CHAIN ZINC	088551-1	1
2	WASHER, 13 ZINC FLAT	F81056-1	3
3	NUT, M12-8 HEX NYLON ZINC LOCK	F81034-2	2
4	CHAIN, 10B-2 113-LINK UP/DOWN	088672	1
5	LINK, 10B-2Pz MASTER	088673	1
	SPROCKET ASSEMBLY, UP/DOWN IDLER	088470	2
6	Sprocket, Zinc	088471-1	1
7	Bearing, 6203-2RS FLT Rolling	086114	2

6 Up/Down System

Up/Down Chain & Sprockets

8	Ring, W40 Spring Retaining	F81090-3	2	
9	Bolt, M16D1F6 x 90-8.8 Hex Fit Short Thread Zinc	F81006-15	1	
10	Spacer, Idler Zinc	088792-1	2	
11	Washer, 17 Zinc Flat	F81058-1	1	
12	Nut, M16-8 Hex Nylon Zinc Lock	F81036-2	1	
13	Spring, 14x30x3,2	090797	1	

6.4 Up/Down Drive Assembly



REF	DESCRIPTION (◆ Indicates Parts Available In Assemblies Only)	PART #	QTY.
	UP/DOWN DRIVE ASSEMBLY, COMPLETE	092812	1
	Motor W/Mount Bracket, DC Up/Down	092810	1
1	Motor, 3/4HP 12VDC	015174	1
2	Cover, Up/Down Motor	034475	1
3	Seal, CR6315	034501	1
4	Pulley, AK20 x 5/8" Bore	036179	1
5	Bolt, 3/8-16 x 3/4" Hex Head	F05007-27	4
6	WASHER, 10.2 SPLIT ZINC LOCK	F81055-2	4
7	WASHER, 10.5 ZINC FLAT	F81055-1	4
8	V-Belt AVX13x600La (Conti)	092813	1
	Gear Box, Complete, Up/Down Drive	092807	1
9	Gear Box, B226-60-2-1L	034908	1
10	Pulley, AK51 x 3/4" Bore	015256	1

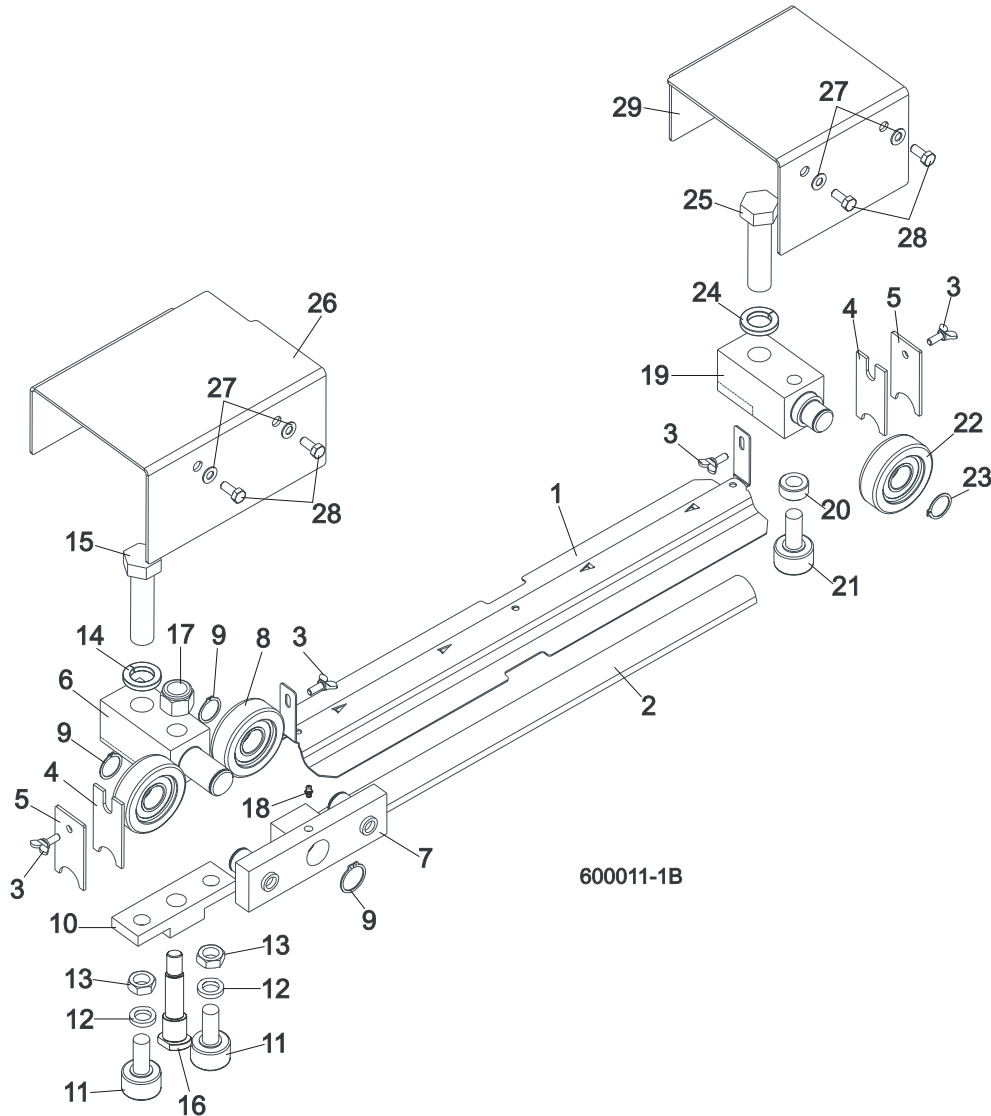
6

Up/Down System*Up/Down Drive Assembly*

11	Key, 3/16" Square x 1" Long	S31027	1	
12	Sprocket, PTD	092808-1	1	
13	Key, A 1/4"x1/4"x1,5"	092814	1	
14	Spacer, zink plated	092811-1	1	
15	Bearing, R20-2RS	036007	1	
16	Housing, Bearing R20-2RS, MALOWANA	092809-1	1	
17	Bolt M12x45-8.8-Fe/Zn5	F81004-32	2	
18	Washer, 13 SAE Flat	F81056-1	4	
19	Nut, M12-8 hex Nylon Lock	F81034-2	2	
20	Bolt, 3/8-16 x 1" Hex Head	F05007-7	4	
21	WASHER, 10.2 SPLIT ZINC LOCK	F81055-2	4	
22	Washer, 10.5 Zinc Flat	F81055-1	4	
23	Bolt, M8 x 25mm Hex Head Gr 5.8 Zinc	F81002-5	2	
24	Nut, M8-8-B	F81032-2	4	
25	Washer, 8.4 FLAT	F81054-1	8	
26	Sruba, M6x60-8.8-Fe/Zn5 PN-85/M-82105	F81001-9	2	
27	Washer 6.4 Zinc Flat	F81053-1	4	
28	Nut M6-8-Fe/Zn5	F81031-1	2	

SECTION 7 FEED SYSTEM & TRACK ROLLERS

7.1 Upper Track Rollers And Wipers



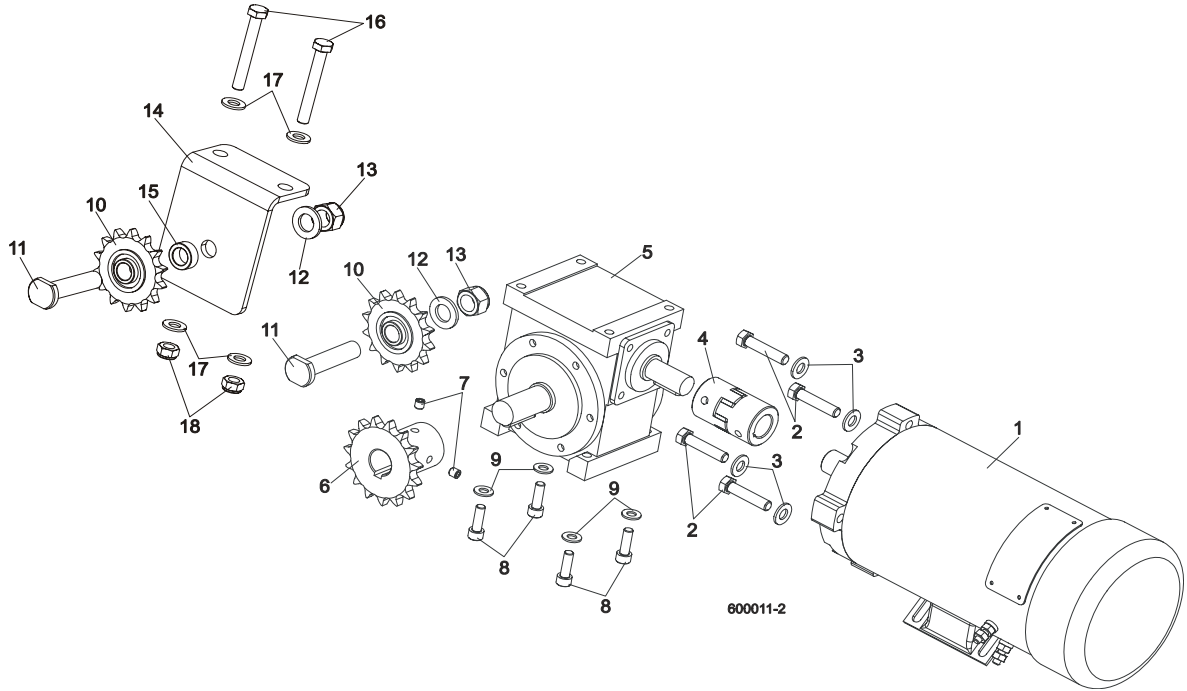
REF	DESCRIPTION (◆ Indicates Parts Available In Assemblies Only)	PART #	QTY.
1	COVER, MIDDLE TRACK	092868-1	1
2	STRIP, FELT	S09915	1
3	SCREW, M6X16 DIN 316 WING	F81001-16	4
4	WIPER, TOP RAIL	M04113	2
5	PLATE, TRACK WIPER	088559-1	2
	ROLLER ASSEMBLY, UPPER TANDEM TRACK	088530	1
6	Block, Tandem Roller Mount	088532	1

7 Feed System & Track Rollers

Upper Track Rollers And Wipers

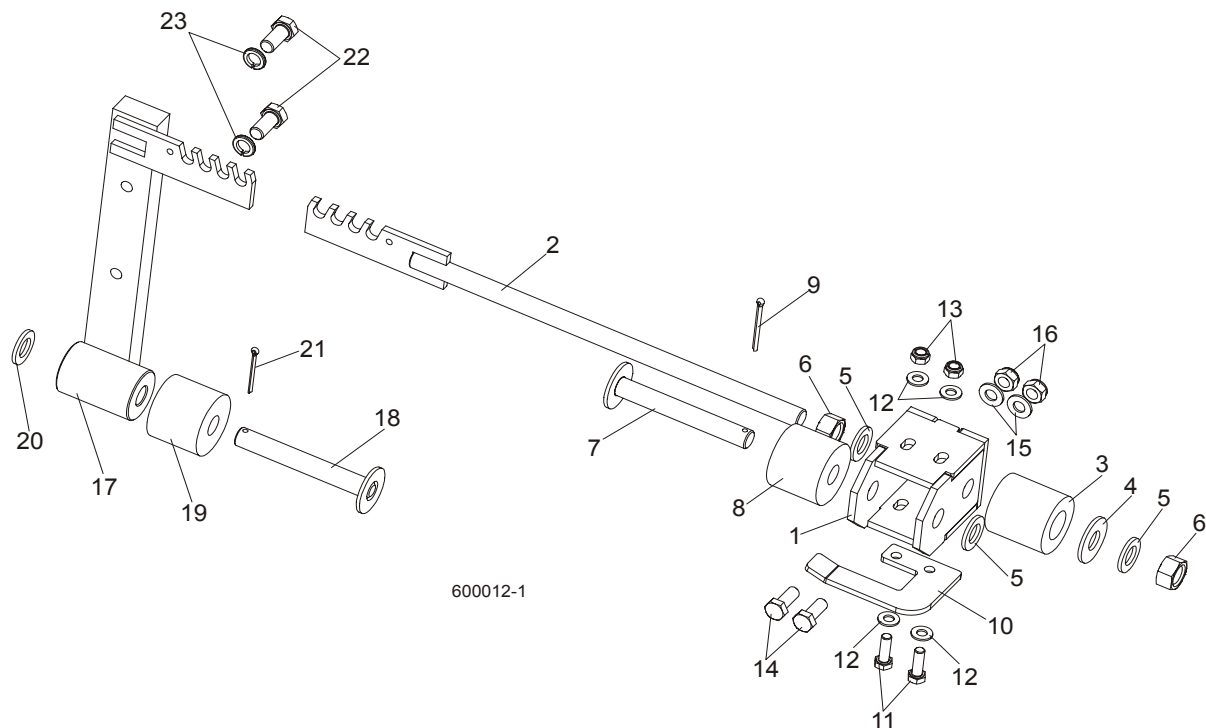
7	Block Assembly, Tandem Roller	088535	1	
8	Bearing, CBK-468 Rolling	088433	2	
9	Ring, Z30 Spring Retaining	F81090-23	2	
10	Block, Cam Follower Mount	088520	1	
11	Bearing, Cam Follower (McGill)	012797	2	
12	Washer, 16.3 Split Zinc Lock	F81058-2	2	
13	Nut, 5/8"-18 Zinc	F05010-11	2	
14	Washer, Z24.5 Split Zinc Lock	F81061-4	1	
15	Bolt, M24 x 2 x 90-8.8 Hex Head Full Thread Zinc	F81009-2	1	
16	Pin, Cam Follower Mount	088531	1	
17	Nut, M16-8 Hex Nylon Zinc Lock	F81036-2	1	
18	Fitting, M6 Straight Grease	086280	1	
	ROLLER ASSEMBLY, REAR UPPER TRACK	088529	1	
19	Block, Rear Upper Roller Mount	088528	1	
20	Spacer, Cam Follower	088536	1	
21	Bearing, Cam Follower (McGill)	012797	1	
22	Roller, CBK-468	088433	1	
23	Ring, Z30 Spring Retaining	F81090-23	1	
24	Washer, Z24.5 Split Zinc Lock	F81061-4	1	
25	Bolt, M24x2x90-8.8 Hex Head Full Thread Zinc	F81009-2	1	
26	COVER, TANDEM ROLLER	088526-1	1	
27	WASHER, 6.4 ZINC FLAT	F81053-1	4	
28	BOLT, M6X16 8.8 HEX HEAD FULL THREAD ZINC	F81001-15	4	
29	COVER, REAR UPPER ROLLER	088527-1	1	

7.2 Power Feed Assembly



REF	DESCRIPTION (◆ Indicates Parts Available In Assemblies Only)	PART #	QTY.
1	MOTOR, 12V, 0.75KM LEESON	024169	1
2	BOLT, 3/8-16x1 3/4 HEX HEAD FULL THREAD	F05007-19	4
3	WASHER, 10.5 ZINC FLAT	F81055-1	4
4	COUPLING, SPIDEX 19/ 5/8" b/b ST 92Sh	090786	1
5	GEAR BOX, RA-05/7,5/D1/S+N/B8 W/OUTPUT SHAFT	088578	1
6	SPROCKET, 10B Z15 ZINC	088541-1	1
7	SCREW, M8x8-33H HEX SOCKET SET FLAT POINT ZINC	F81014-1	2
8	SCREW, M8x25 -8.8 HEX SOCKET HEAD CAP ZINC	F81002-21	4
9	WASHER, 8.4 ZINC FLAT	F81054-1	4
10	SPROCKET, KSR 16.L0.10.10.14.08 W/BEARING	088867	2
11	PIN, ZINC SPROCKET MOUNT	088994-1	2
12	WASHER, 17 ZINC FLAT	F81058-1	2
13	NUT, M16-8 HEX NYLON ZINC LOCK	F81036-2	2
14	BRACKET, POWER FEED SPROCKET MOUNT	088507-1	1
15	SPACER, POWER FEED SPROCKET	088550-1	1
16	BOLT, M10x75-8.8 HEX HEAD ZINC	F81003-15	2
17	WASHER, 10.5 ZINC FLAT	F81055-1	4
18	NUT, M10-8-B HEX NYLON ZINC LOCK	F81033-1	2

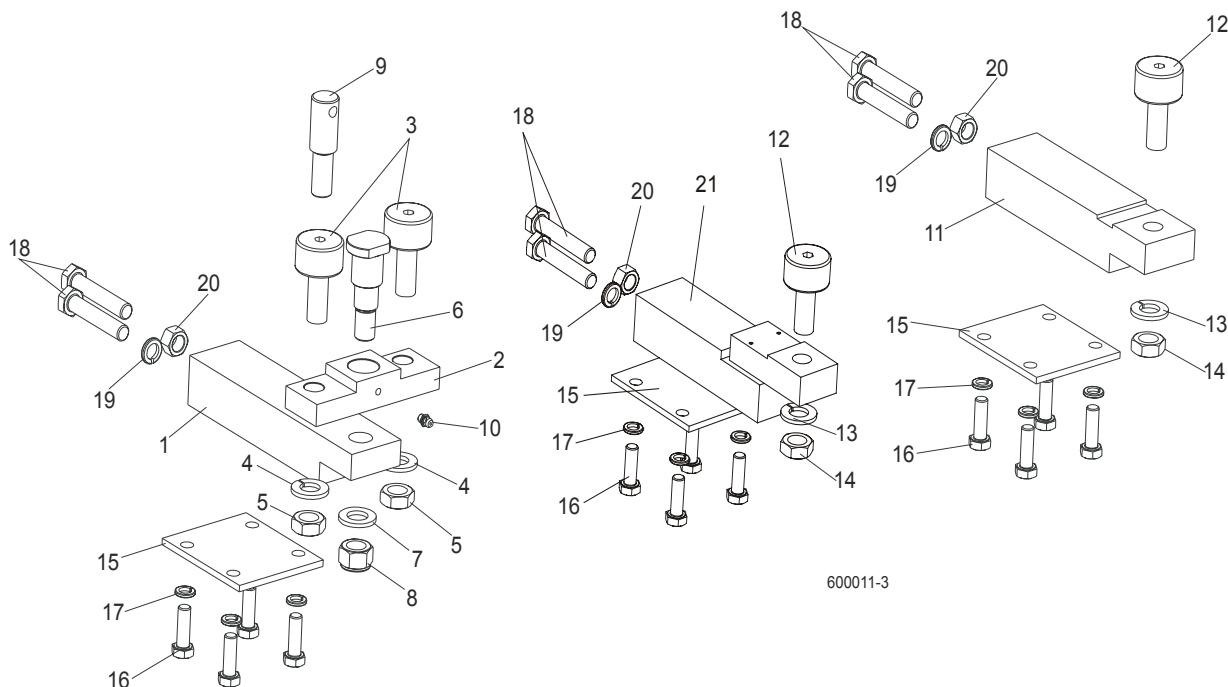
7.3 Feed Chain/Stop



REF	DESCRIPTION (◆ Indicates Parts Available In Assemblies Only)	PART #	QTY.
1	MOUNT WELDMENT, FRONT CARRIAGE STOP	089365-1	1
2	TENSIONER WELDMENT, POWER FEED CHAIN	089364-1	1
3	SPRING, LT15 BLADE TENSIONER	014828	1
4	WASHER, ZINC SPECIAL	089360-1	1
5	WASHER, 17 ZINC FLAT	F81058-1	3
6	NUT, M16-5.8 ZINC HEX	F81036-1	2
7	PIN, RUBBER CARRIAGE STOP	089361-1	1
8	BUSHING, RUBBER STOP	P12165	1
9	PIN, S-Zn 4x25 COTTER	F81043-2	1
10	BRACKET, LIMIT SWITCH	086473-1	1
11	BOLT, M8X25-8.8-B HEX HEAD FULL THREAD ZINC	F81002-5	2
12	WASHER, 8.4 ZINC FLAT	F81054-1	4
13	NUT, M8-8-B HEX NYLON ZINC LOCK	F81032-2	2
14	BOLT, M10X25 8.8 HEX HEAD FULL THREAD	F81003-31	2
15	WASHER, 10.5 ZINC FLAT	F81055-1	2
16	NUT, M10-8-B HEX NYLON ZINC LOCK	F81033-1	2
	STOP ASSEMBLY, REAR POWER FEED	089362	1
17	Stop Weldment, Rear Power Feed	088346-1	1
18	Pin, Rubber Carriage Stop	089361-1	1
19	Bushing, Rubber Stop	P12165	1

20	Washer, 17 Zinc Flat	F81058-1	1	
21	Pin, S-Zn 4x25 Cotter	F81043-2	1	
22	BOLT, M12X25-8.8 HEX HEAD FULL THREAD ZINC	F81004-31	2	
23	WASHER, 13 ZINC FLAT	F81056-1	2	
	CHAIN, 10B-1 POWER FEED	088670	1	
	LINK, 10B-1PZ MASTER	088671	2	

7.4 Lower Track Rollers



600011-3

REF	DESCRIPTION (◆ Indicates Parts Available In Assemblies Only)	PART #	QTY.
	BLOCK ASSEMBLY, VERTICAL MAST ALIGNMENT DOUBLE	088523	1
1	Block, Vertical Mast Alignment Double	088517	1
2	Block, Cam Follower Mount	088520	1
3	Bearing, Cam Follower (McGill)	012797	2
4	Washer, 16.3 Split Zinc Lock	F81058-2	2
5	Nut, 5/8"-18 Zinc	F05010-11	2
6	Pin, Cam Follower Mount	088521	1
7	Washer, 17 Zinc Flat	F81058-1	1
8	Nut, M16-8 Hex Nylon Zinc Lock	F81036-2	1
9	Pin, Safety Lock	088519	1
10	Fitting, M6 Straight Grease	086280	1
	BLOCK ASSEMBLY, VERTICAL MAST ALIGNMENT SINGLE	088524	1
11	Block, Vertical Mast Alignment Single	088518	1
12	Bearing, Cam Follower (McGill)	012797	1
13	Washer, 16.3 Split Zinc Lock	F81058-2	1
14	Nut, 5/8"-18 Zinc	F05010-11	1
15	PLATE, LOWER TRACK ROLLER RETAINER	088516	3
16	BOLT, M10X30-5.8 HEX HEAD FULL THREAD ZINC	F81003-2	12
17	WASHER, 10.2 SPLIT ZINC LOCK	F81055-2	12
18	BOLT, M12X1.25X65-8.8 HEX HEAD FULL THREAD ZINC	F81004-40	6

Feed System & Track Rollers

Lower Track Rollers

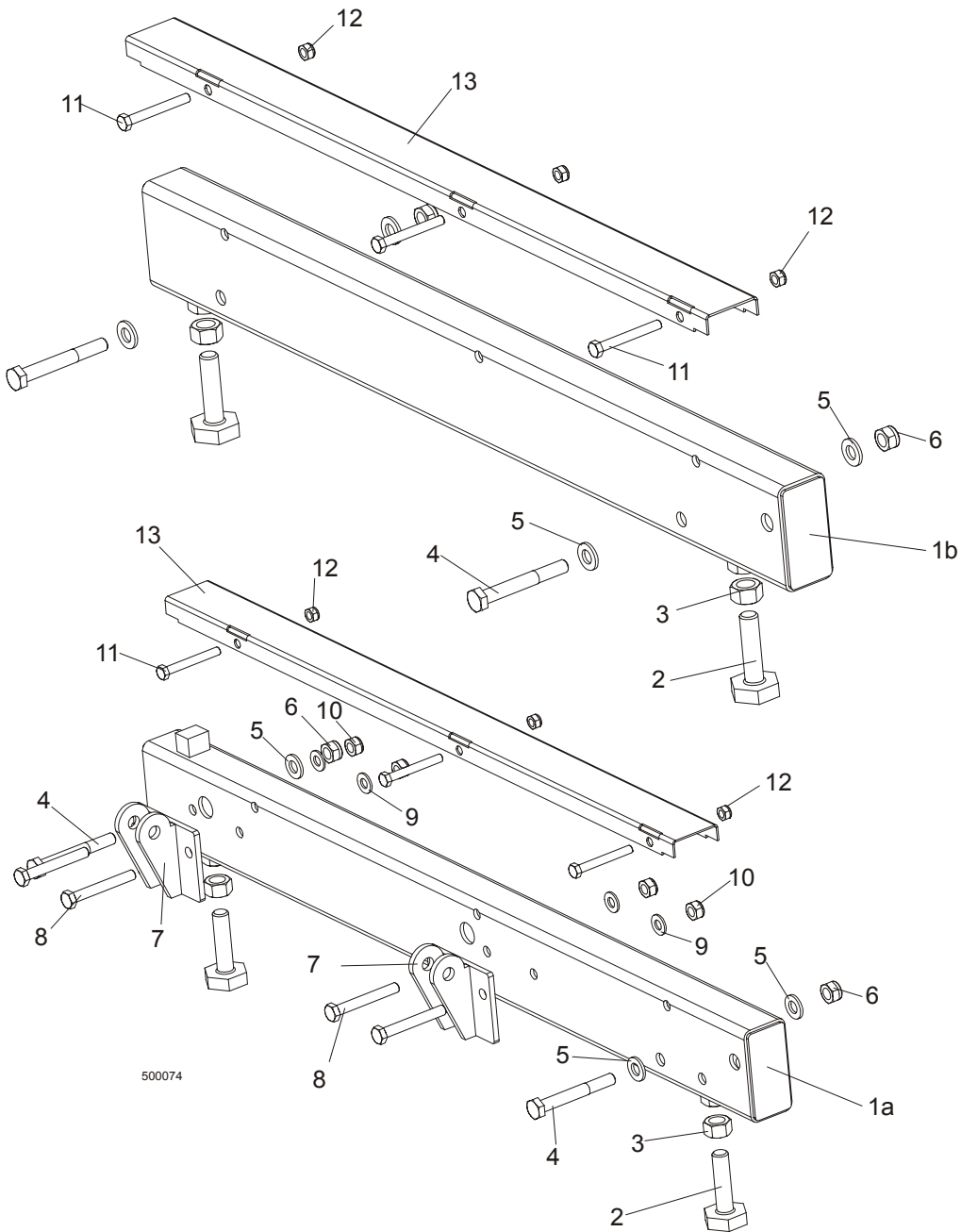
7

19	WASHER, Z12.2 SPLIT ZINC LOCK	F81056-2	3	
20	NUT, M12X1.25-8 ZINC HEX	F81034-8	3	
21	BLOCK WELDMENT, LOWER TRACK ROLLER MOUNT	091425	1	

8 **BED FRAME ASSEMBLY**
Bed Rail Assembly, Front and Rear

SECTION 8 BED FRAME ASSEMBLY

8.1 Bed Rail Assembly, Front and Rear



REF	DESCRIPTION (◆ Indicates Parts Available In Assemblies Only)	PART #	QTY.
	BED RAIL ASSEMBLY, LONG	089385	6

BED FRAME ASSEMBLY

Bed Rail Assembly, Front and Rear

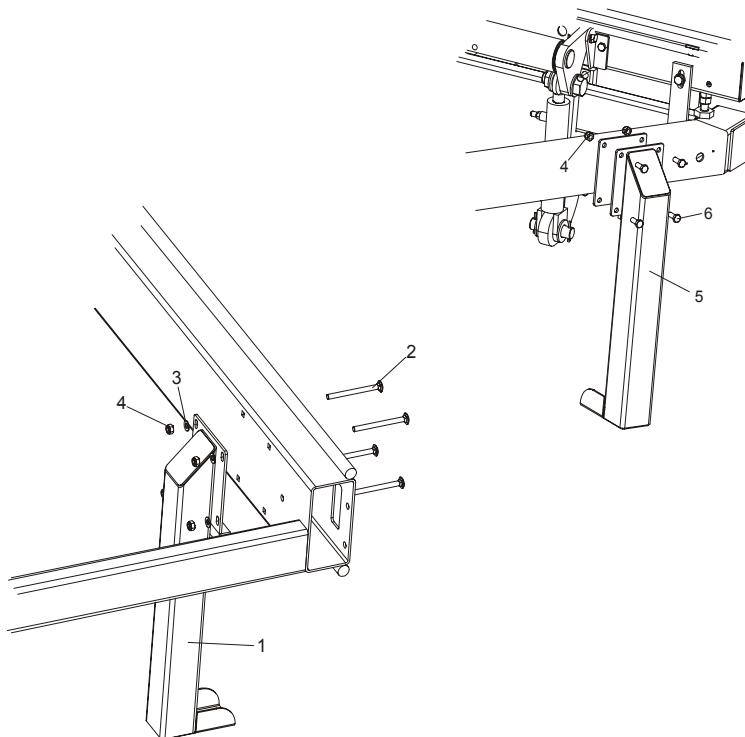
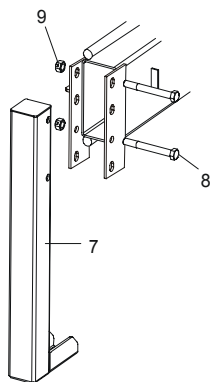
8

1a	Bed Rail Tube, Long	087433	1	◆
2	Bolt, M16 Bed Rail Adjustment	086809	2	
3	Nut, M16-5-B Hex	F81036-5	2	
	BED RAIL ASSEMBLY, SHORT	089386	2	
1b	Bed Rail Tube, Short	087878	1	◆
2	Bolt, M16 Bed Rail Adjustment	086809	2	
3	Nut, M16-5-B Hex	F81036-5	2	
4	BOLT, M12x90-8.8 ZINC HEX HEAD	F81004-2	2	
5	WASHER, 13 FLAT ZINC	F81056-1	4	
6	NUT, M12-8 HEX NYLON ZINC LOCK	F81034-2	2	
7	BRACKET, TOE BOARD ROLLER MOUNT	087903-1	2	
8	BOLT, M10x75-8.8 ZINC HEX HEAD	F81003-15	4	
9	WASHER, 10.5 FLAT ZINC	F81055-1	4	
10	NUT, M10-8-B HEX NYLON ZINC LOCK	F81033-1	4	
11	BOLT, M8 x 65-5.8 ZINC HEX HEAD	F81002-3	3	
12	NUT, M8-8-B HEX NYLON ZINC LOCK	F81032-2	3	
13	COVER, STAINLESS STEEL BED RAIL	S09944	1	

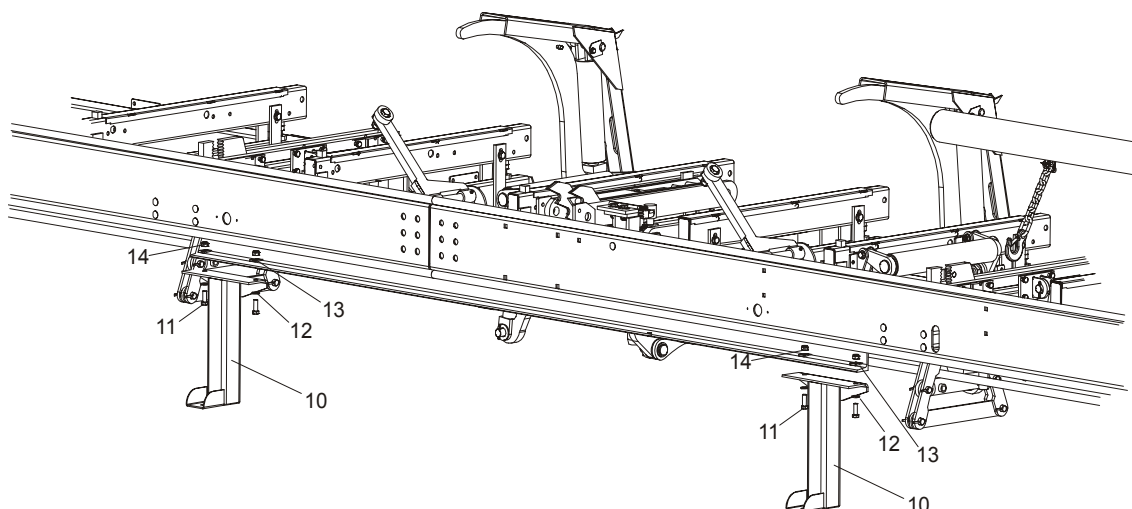
8 BED FRAME ASSEMBLY

Leg, Stationary

8.2 Leg, Stationary



500082



REF	DESCRIPTION (◆ Indicates Parts Available In Assemblies Only)	PART #	QTY.
1	LEG, LONG STATIONARY	087451-1	1
2	BOLT, M10X120 8.8 ZINC MUSHROOM HEAD SQUARE NECK	F81003-33	4
3	WASHER, 10.5 FLAT ZINC	F81055-1	4

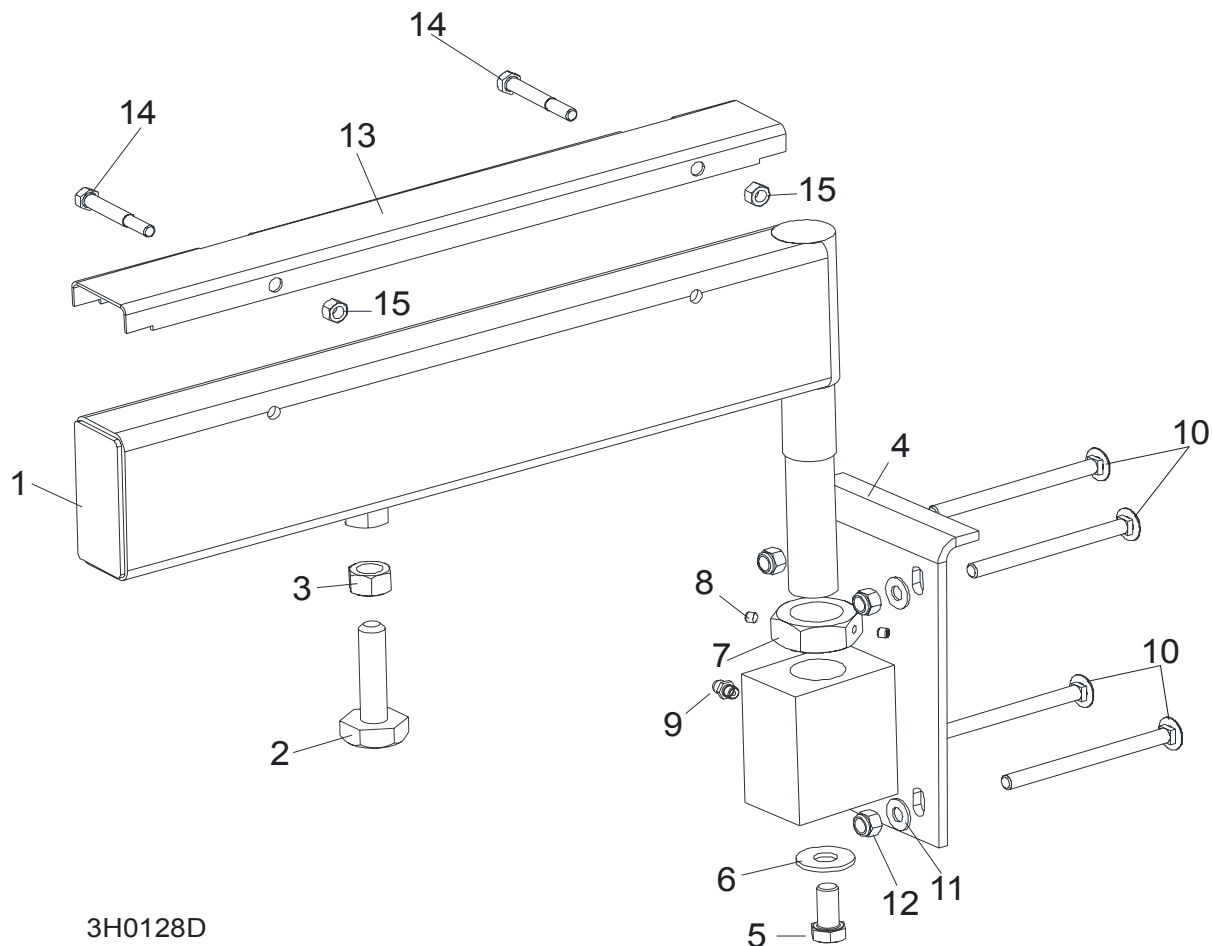
BED FRAME ASSEMBLY*Leg, Stationary***8**

4	NUT, M10-8-B HEX NYLON ZINC LOCK	F81033-1	32	
5	LEG, LEFT STATIONARY	087450-1	7	
6	BOLT, M10X25-8.8 ZINC HEX HEAD	F81003-11	28	
7	LEG, FRONT STATIONARY	087452-1	1	
8	BOLT, M16 X 140 - 8.8 HEX HEAD	F81006-4	2	
9	NUT, M16-8 HEX NYLON LOCK	F81036-2	2	
10	LEG, MIDDLE STATIONARY	087093-1	2	
11	BOLT, M12X35-8.8	F81004-24	4	
12	WASHER, 13 FE/ZN5	F81056-1	4	
13	WASHER, 14 SQUARE TAPER	F81055-13	4	
14	NUT, M12-8 HEX NYLON ZINC LOCK	F81034-2	4	

8 BED FRAME ASSEMBLY

Pivot Bed Rail Assembly

8.3 Pivot Bed Rail Assembly



3H0128D

REF	DESCRIPTION (◆ Indicates Parts Available In Assemblies Only)	PART#	QTY.
	PIVOT BED RAIL, COMPLETE	087855	2
1	Pivot Bed Rail Assembly	087848-1	1
	Bolt Assembly, Bed Rail Adjustment		1
2	Bolt, Pivot Bed Rail Adjustment	086809	1
3	Nut, M16-5.8 Zinc Hex	F81036-1	1
4	Bracket, Pivot Bed Rail Mounting	087841-1	1
5	Bolt, M12x25-8.8 Hex Head Full Thread Zinc	F81004-31	1
6	Washer, 9/16" Zinc Flat	F05011-52	1
7	Nut, M32x2-04-B Zinc	087975	1
8	Screw, M6x8 Hex Socket Set Cone Point Zinc	F81013-1	2
9	Fitting, 3/16" Straight Grease	086280	1
10	BOLT, M10X125 8.8 MUSHROOM HEAD SQUARE NECK ZINC	F81003-34	4
11	WASHER, 10.5 FLAT	F81055-1	8
12	NUT, M16-8 HEX NYLON ZINC LOCK	F81036-2	8

BED FRAME ASSEMBLY

Pivot Bed Rail Assembly

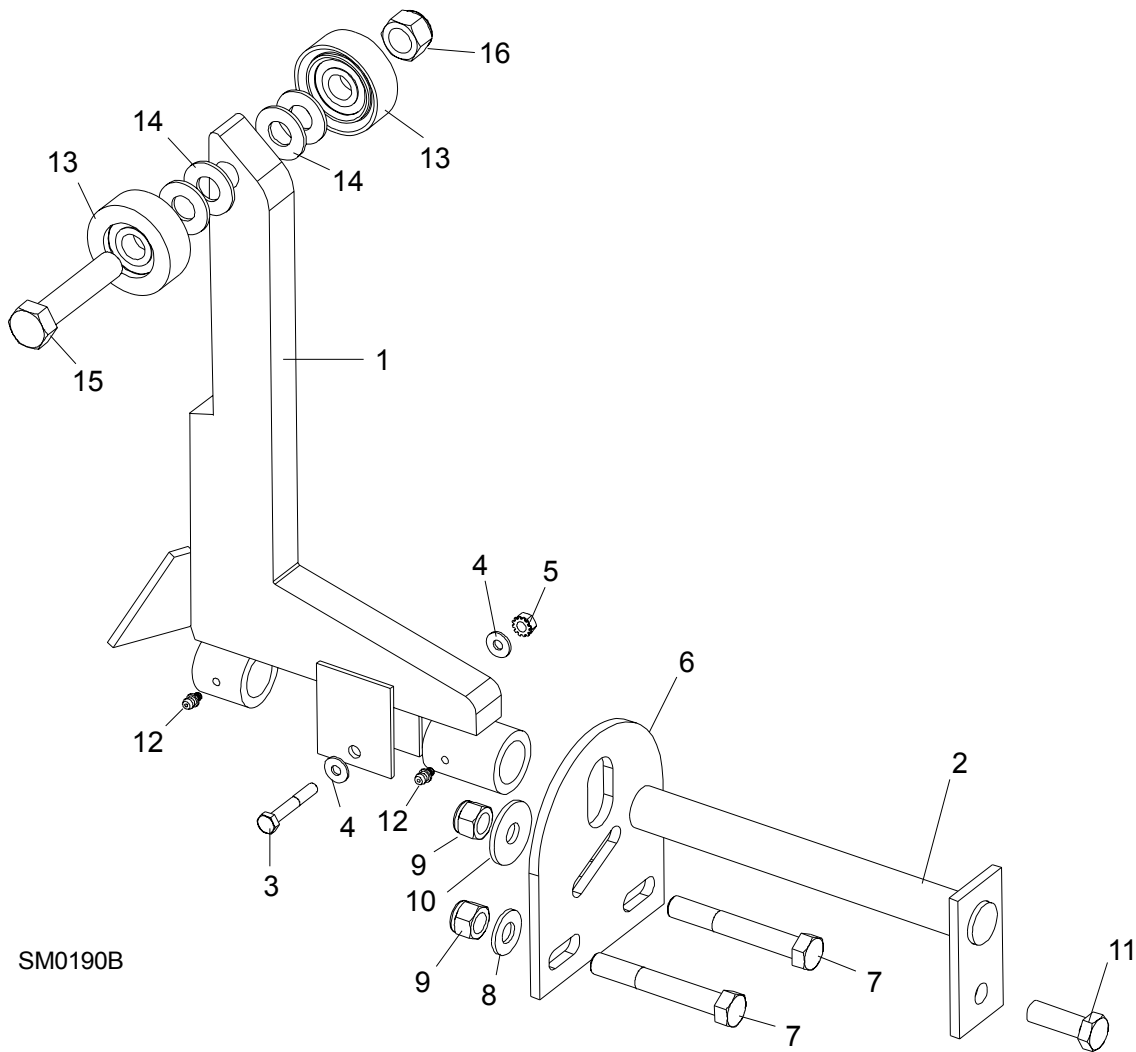
8

	COVER KIT, STAINLESS STEEL PIVOT BED RAIL	N/A	2	
13	Cover, Pivot Bed Rail	S13012	1	
14	Bolt, M8x65-5.8 Hex Head Zinc	F81002-3	2	
15	Nut, M8-8-B Hex Nylon Zinc Lock	F81032-2	2	
	WRENCH, BED RAIL ADJUSTMENT (Patrz rozdział 8.3)	015970	1	

8 BED FRAME ASSEMBLY

Log Side Support Assembly (Manual)

8.4 Log Side Support Assembly (Manual)



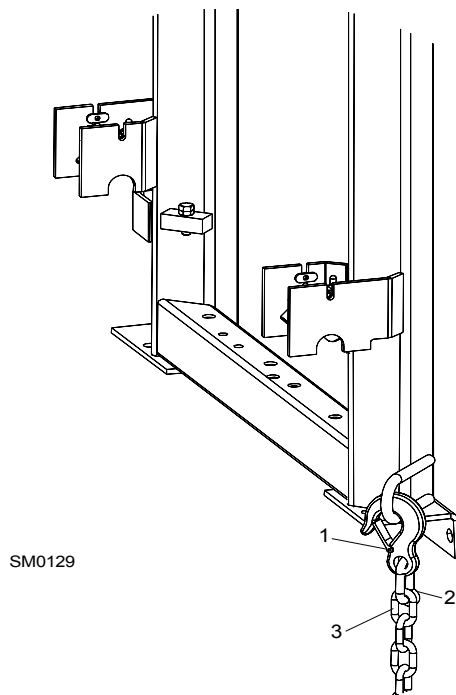
REF	DESCRIPTION (◆ Indicates Parts Available In Assemblies Only)	PART #	QTY.
	SUPPORT, LOG SIDE	092686	
1	MOUNTING KIT, LOG SIDE SUPPORT	085538-1	
2	Pin, Log Side Support Pivot	091549-1	1
3	Bolt, M8x45 - 8.8 Hex Head Grade 5	F81002-14	1
4	Washer, 8.4 Flat	F81054-1	2
5	Nut, M8-8-B Self Locking	F81032-2	1
6	Plate, Log Side Support End	091591-1	1
7	Bolt, M12 x 90-8.8 Hex Head	F81004-2	2
8	Washer, 13 Flat	F81056-1	2
9	Nut, M12-8 Hex Nylon Lock	F81034-2	3

10	Washer, .5" x 1.63" x 11" Ga.	086184	1	
11	Bolt, M12 x 35-8.8 Hex Head	F81004-24	1	
12	FITTING, 3/16" GREASE	P04107	2	
13	Roller Assembly, Side Support	015014-1	2	
14	Washer, 17 Flat	F81058-1	2	
15	Bolt, M16x65-8.8-B Hex Head Grade 5	F81006-1	1	
16	Nut, M16-8 Nylon Lock	F81036-2	1	
	Instruction Sheet, Side Support Roller	015109-526	1	

8 BED FRAME ASSEMBLY

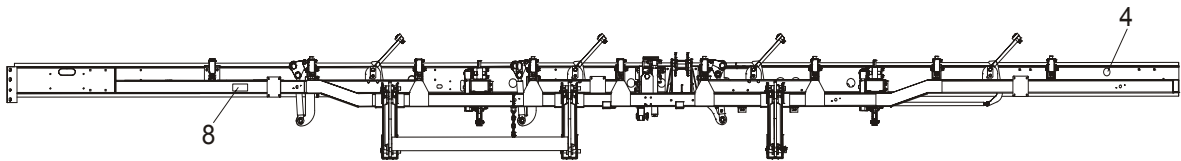
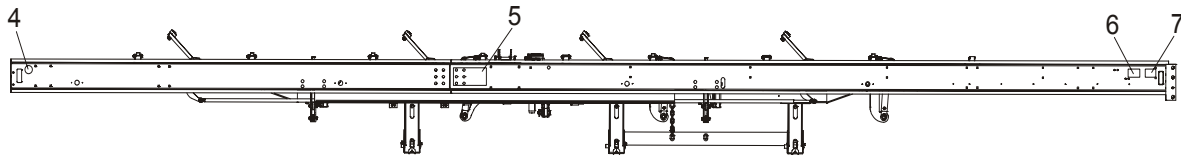
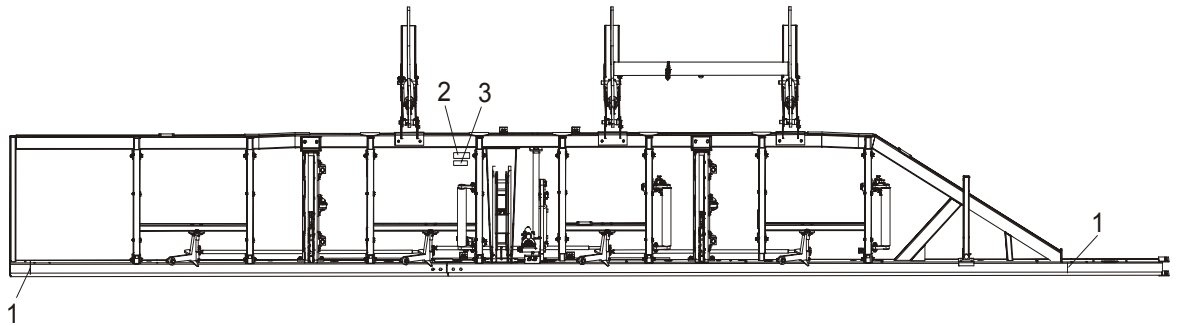
Tie Down Chain Assembly

8.5 Tie Down Chain Assembly



REF	DESCRIPTION (◆ Indicates Parts Available In Assemblies Only)	PART #	QTY.	
	CHAIN ASSEMBLY, TIE DOWN	A04376	1	
1	Hook, 5/8" Safety Chain	P12075	1	◆
2	Link, 3/8" Lap	014457	1	◆
3	Chain, n-10 x 35	R80558	.28 m	◆

8.6 Bed Frame Decals

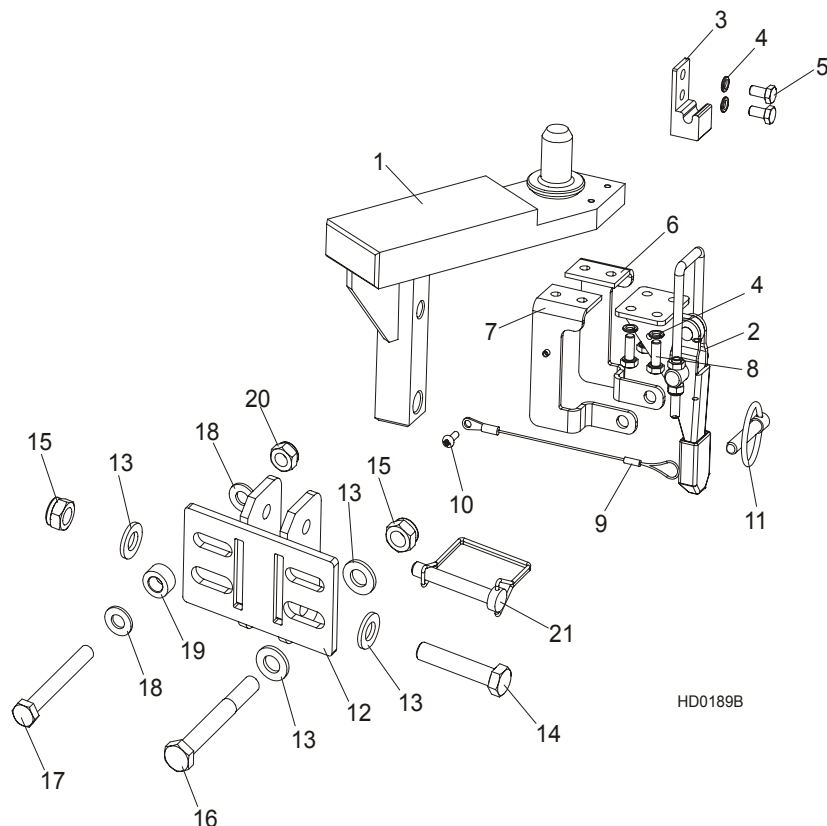


REF	DESCRIPTION (◆ Indicates Parts Available In Assemblies Only)	PART #	QTY.
1	DECAL, LOG LENGTH LIMIT	S12051	2
2	DECAL, HYDRAULIC OIL TYPE	085068	1
3	DECAL, HYDRAULIC WORKING PRESSURE	085069	1
4	DECAL, AMBER REFLECTIVE 2" ROUND	P07453	2
5	DECAL, PINCH POINT DANGER	P10287	1
6	DECAL, CE CERTIFIED SAWMILL, SMALL	P85070	1
7	DECAL, GS SAFETY CERTIFICATION, SMALL	P85072	1
8	DECAL, KEEP AWAY DANGER	S09851	1

8 BED FRAME ASSEMBLY

LT70 L Saw Head Support Assembly

8.7 LT70 L Saw Head Support Assembly



L.P.	OPIS (♦ wskazuje części dostępne jedynie w zespołach)	NUMER KAT.	SZT.
	SAW HEAD REST PIN W/LATCH CLAMP, LT70L	094657	1
1	Pin Weldment, LT70L Saw Head Rest	094655-1	1
2	Clamp, GN851.2-320-T4 Latch	094656	1
3	Latch Bracket, GN851.2-320-T4 Zinc-plated	094659-1	1
4	Washer, Z 6.1 Split Lock Zinc	F81053-3	6
5	Bolt, M6x12-8.8 Hex Head Full Thread Zinc	F81001-7	6
6	Bracket, Locking Right	097102-1	1
7	Bracket, Locking Left	097103-1	1
8	Bolt, M6x16-8.8-Fe/Zn5 PN-85/M-82105	F81001-32	4
9	Lanyard, 3/64x6"	016030	1
10	Screw, M4x12 -5,8-B- Fe/Zn5 PN-M/82202	F81011-43	1
11	Pin, 8 BN914 (BOSSARD 1364650) Clamp Lock	F81046-2	1
12	BRACKET, LT40 SAW HEAD REST PIN MOUNT PAINTED	092765-1	1
13	WASHER, 13 FLAT ZINC	F81056-1	4
14	BOLT, M12 X 60-8.8 HEX HEAD ZINC	F81004-5	1
15	NUT, M12-8 HEX NYLON ZINC LOCK	F81034-2	2
16	BOLT, M12x95-8.8 HEX HEAD ZINC	F81004-29	1

BED FRAME ASSEMBLY
LT70 L Saw Head Support Assembly

8

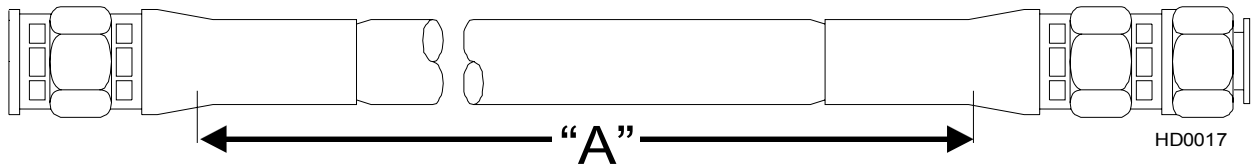
17	BOLT, M10x80-8.8 HEX HEAD ZINC	F81003-50	1	
18	WASHER, 10.5 FLAT ZINC	F81055-1	2	
19	BUSHING, ZINC-PLATED SPACER	090936-1	1	
20	NUT, M10-8-B HEX NYLON ZINC LOCK	F81033-1	1	
21	PIN, 3/8" X 2 1/4" SNAP RETAINER	014151	1	

9 HYDRAULIC SYSTEM

Hydraulic hoses, LT40/70L

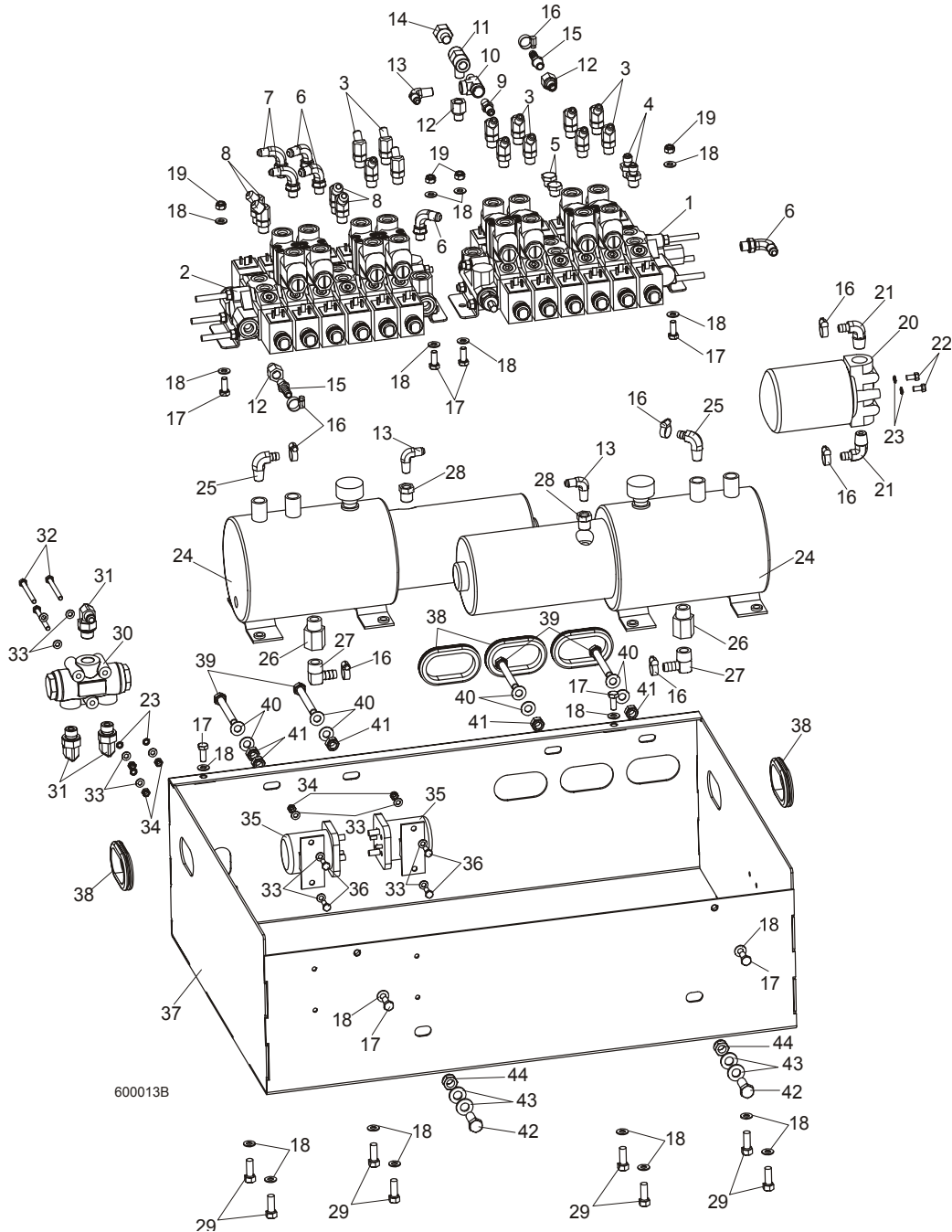
SECTION 9 HYDRAULIC SYSTEM

9.1 Hydraulic Hoses, LT40/70L



COLOR CODE	LENGT H (m)	DESCRIPTION (◆ Indicates Parts Available In Assemblies Only)	PART #	QTY.
NONE	0,35	3/8" HYDRAULIC PUMP TO HYDRAULIC VALVE	089809	1
NONE	0,65	3/8" VALVE TO VALVE	089844	1
RED	0,43	3/8" SECTION TO OIL FLOW DIVIDER	089845	1
ORANGE	2,80	3/8" MIDDLE LOG CLAMP, IN/OUT CYLINDER (CLAMP OUT)	089846	1
WHITE	3,00	3/8" MIDDLE LOG CLAMP, IN/OUT CYLINDER (CLAMP IN)	089847	1
NONE/PINK	5,40	3/8" HYDRAULIC VALVE TO LOG SIDE SUPPORT CYLINDER	089848	2
BROWN/LILAC	4,10	3/8" LOG SIDE SUPPORT VALVE TO LOG TURNER	089849	2
YELLOW	1,80	3/8" 3RD LOG LOADER CYLINDER (SINGLE LOADING ARM) BOTTOM TO OIL FLOW DIVIDER	089850	1
BLUE	0,72	3/8" HYDRAULIC VALVE TO 1ST TEE CONNECTOR (NEXT TO LOG TURNER)	089851	1
GREEN/YEL- LOW GREEN	1,20	3/8" 3RD TEE CONNECTOR TO 2ND LOG LOADER CYLINDER TOP/BOTTOM 3/8" 1ST TEE CONNECTOR TO 3RD LOG LOADER CYLINDER TOP	089852	3
RED	2,00	3/8" OIL FLOW DIVIDER TO 2ND TEE CONNECTOR	089853	1
YELLOW	2,10	3/8" 2ND TEE CONNECTOR TO 1ST LOG LOADER CYLINDER BOTTOM	089854	1
BLUE	1,60	3/8" 1ST TEE CONNECTOR TO 3RD TEE CONNECTOR	089855	1
GREEN	1,90	3/8" 3RD TEE CONNECTOR TO 1ST LOG LOADER CYLINDER TOP	089856	1
LILAC/BLACK	2,55	1/4" 3RD TOE BOARD	089859	2
LILAC/BLACK	0,85	1/4" 2ND TOE BOARD	089860	2
BROWN/SIL- VER	4,10	1/4" 1ST TOE BOARD	089861	2
YELLOW	3,85	1/4" MIDDLE LOG CLAMP, UP/DOWN CYLINDER BOTTOM	089862	1
GREEN	3,95	1/4" MIDDLE LOG CLAMP, UP/DOWN CYLINDER TOP	089863	1
ORANGE	4,20	1/4" 1ST LOG CLAMP IN/OUT (CLAMP OUT)	089864	1
WHITE	4,40	1/4" 1ST LOG CLAMP IN/OUT (CLAMP IN)	089865	1
BLUE/RED	4,90	1/4" 1ST LOG CLAMP UP/DOWN	089866	2
WHITE/ORAN GE	2,70	1/4" 3RD LOG CLAMP IN/OUT	089867	2
BLUE/RED	0,60	1/4" 3RD LOG CLAMP UP/DOWN	089868	2

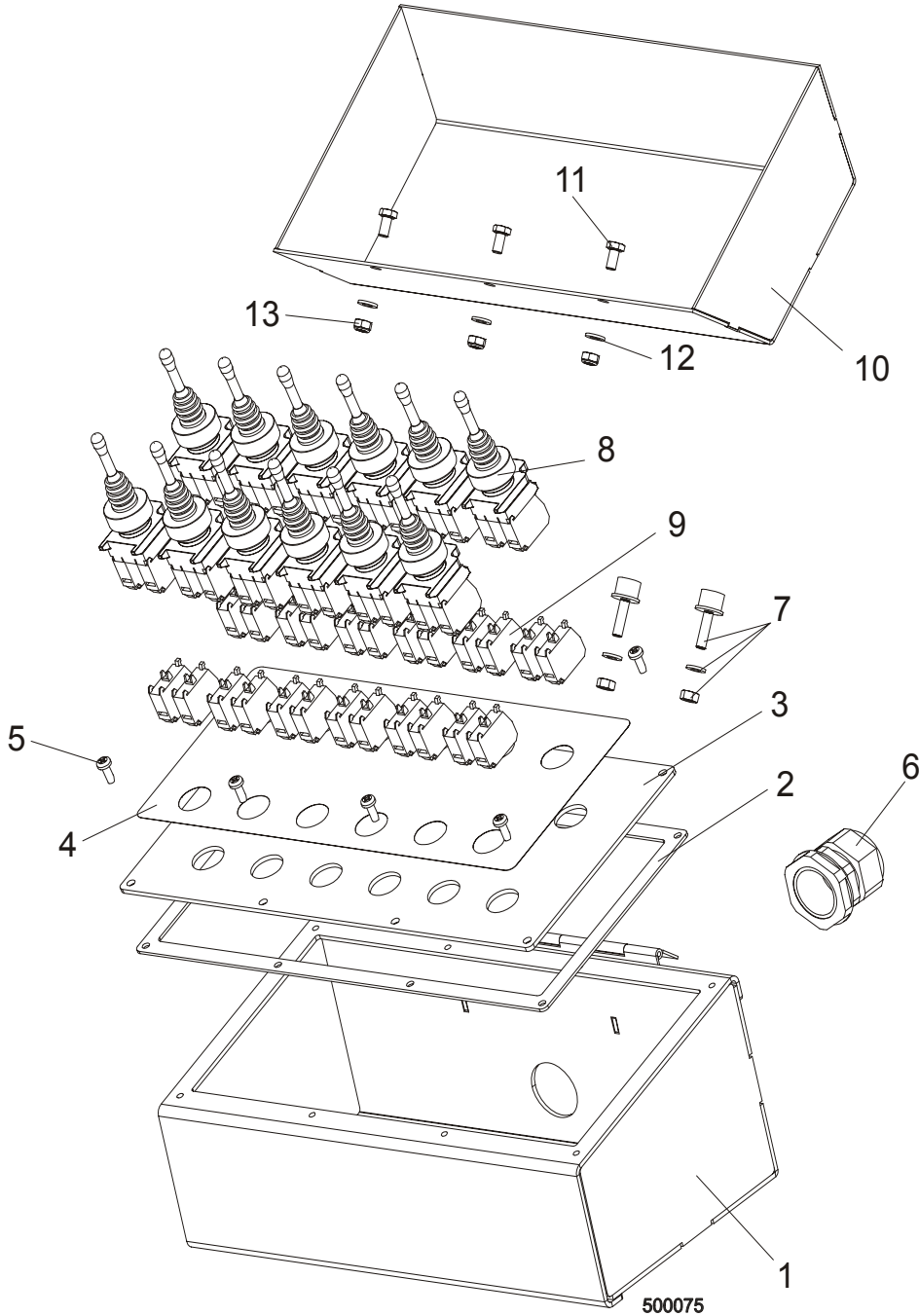
9.2 Hydraulic Control Box LT70L DH15



REF	DESCRIPTION (◆ Indicates Parts Available In Assemblies Only)	PART #	QTY.
	BOX ASSEMBLY, DH15 HYDRAULIC CONTROL	093756	1
1	Valve, HDS11 6K01-151/MOD 6/062Z0 Hydraulic	088188	1
2	Valve, HDS11 6K01-151/MOD 6/063Z0 Hydraulic	088189	1

3	Fitting, #4SAE -#6SAE 45° Elbow	015488	12	
4	Fitting, 1/4" JIC x 3/8" O-Ring	P26284	2	
5	Plug, 9/16 -18 JIC Hydraulic Valve	089647	2	
6	Fitting, #6 SAE 3/8"JIC Elbow	P12704	4	
7	Fitting, 90° 9/16-18 JIC 7/16-20 JIC Elbow	089642	2	
8	Fitting, 45° #6SAE Elbow	015489	4	
9	Fitting, C5205x4x4 Male	P09143	1	
10	Fitting, C3759X4 Male Run Tee	P09141	1	
11	Fitting, 1/4NPT Branch Tee	015486	1	
12	Fitting, #6 SAE Male - 1/4 NPT Female	014686	3	
13	Fitting, 90° Male Elbow	P09142	3	
14	Plug, 1/4" NPT Blank	096221	1	
15	Fitting, 3/8 Barb - 1/4 NPT	014685	2	
16	Clamp, 11/16 Worm	P12739	8	
17	Bolt, M8 x 20-8.8-B Hex Head Full Thread Zinc	F81002-4	8	
18	Washer, 8.4 Zinc Flat	F81054-1	20	
19	Nut, M8-8-B Hex Nylon Zinc Lock	F81032-2	4	
20	Manifold, 1.2" Hydraulic W/Filter	P22683	1	
21	Fitting, 1/2"NPT - 3/8" Hose Barb Elbow	P12707	2	
22	Bolt, 1/4-20x1/2" Hex Head Grade 2 Zinc	F05005-15	2	
23	Washer, Z 6.1 Split Zinc Lock	F81053-3	5	
24	Pump W/Motor, Hydraulic	P12701	2	
25	Fitting, #6-6(3/8"NPT) - 3/8" Hose Barb Elbow	P12708	2	
26	Fitting, 1/2NPT-1/2NPT Adapter	015995	2	
27	Fitting, 1/2NPT-1/2 Hose Barb Elbow	015997	2	
28	Fitting, 3/8NPT x 1/4NPT Reducer	015490	2	
29	Bolt, 3/8-16x1 Hex Head Grade 8 Zinc	F05007-7	8	
30	Divider, MTDA 08-016M/2 Oil Flow	088190	1	
31	Fitting, 90 18 x 1.5 9/16-18 JIC Elbow	089992	3	
32	Bolt, M6 x 65-8.8 Hex Head Zinc	F81001-81	3	
33	Washer 6.4 Zinc Flat	F81053-1	14	
34	Nut, M6-8-B Hex Nylon Zinc Lock	F81031-2	7	
35	Solenoid, 200A 12V SPST Hydraulic Pump 1997	015470	2	
36	Bolt, M6 x 16 8.8 Hex Head Full Thread Zinc	F81001-15	4	
37	Box Weldment, DC 9.5 m Hydraulic Control	088105-1	1	
38	Grommet, FM54 Rubber	087065	5	
39	Bolt, M10 x 80-8.8 Hex Head Zinc	F81003-51	4	
40	Washer, 10.5 Zinc Flat	F81055-1	8	
41	Nut, M10-8-B Hex Nylon Zinc Lock	F81033-1	5	
42	Bolt, M12 x 30-8.8 Hex Head Full Thread Zinc	F81004-22	2	
43	Washer, 13 Zinc Flat	F81056-1	4	
44	Nut, M12-8 Hex Nylon Zinc Lock	F81034-2	2	
	Matrix, Diode Hydraulic	096963	2	

9.3 Hydraulic Control Box

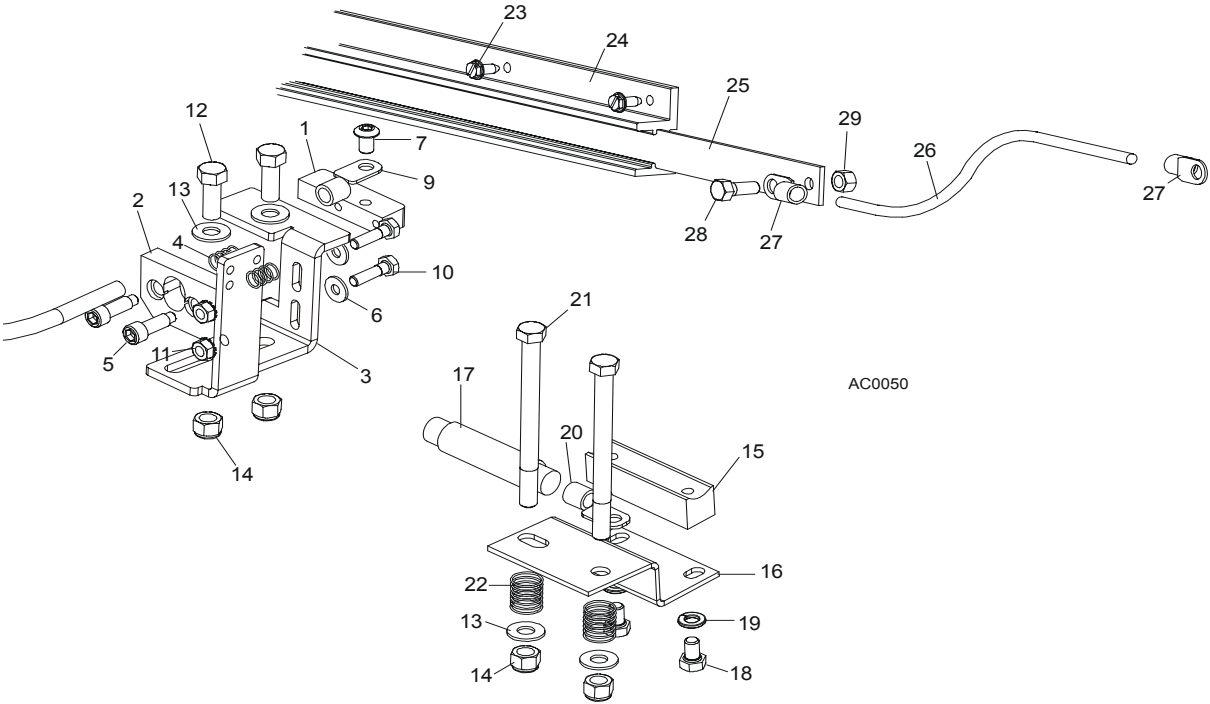


REF	DESCRIPTION (◆ Indicates Parts Available In Assemblies Only)	PART #	QTY.
	BOX, 9.5 M FRAME HYDRAULIC CONTROL	088164	1
1	Box Weldment, Hydraulic Control	088163-1	1
2	Gasket, 9.5 m Frame	089998	1
3	Panel, Hydraulic Control Box Front 9.5 m	089997-1	1
4	Decal, Front Panel (9 m Frame)	088159	1

9**HYDRAULIC SYSTEM***Hydraulic Control Box*

5	Screw, #10-24 x 1/2 Pan Head	F05015-17	8	
6	Seal, DP 29/H Gland	F81096-1	1	
7	Bumper, A/022 Rubber	088376	2	
8	Joystick, PMJN8T3	096928	12	
9	Contact, 1NO PL004002	096929	24	
10	Cover, Hydraulic Control Box (9.5 m Frame)	088172-1	1	
11	Bolt, M6X12-8.8 Zinc Hex Head	F81001-7	3	
12	Washer, 6.4 Flat Zinc	F81053-1	3	
13	Nut, M6-8-B Hex Nylon Lock Zinc	F81031-2	3	

9.4 Hydraulic Power Supply Strip



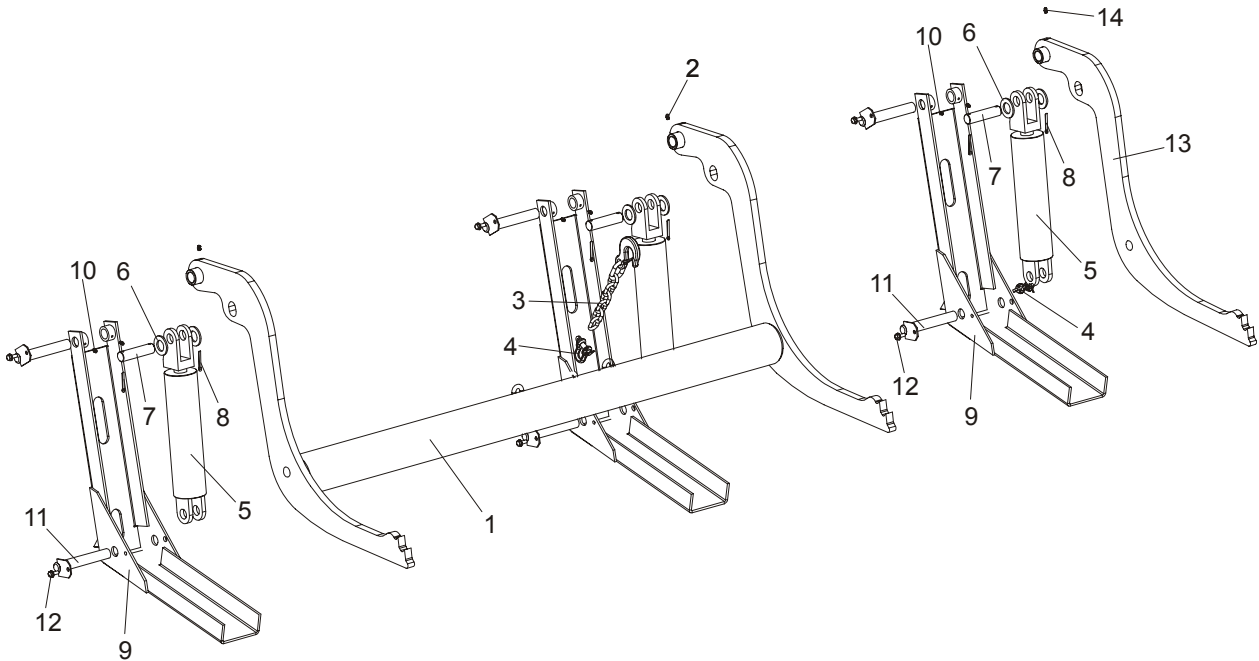
REF	DESCRIPTION (◆ Indicates Parts Available In Assemblies Only)	PART #	QTY.	
	CONTACT KIT, HYDRAULIC 6' POWER SUPPLY	A12042-N	1	
	Contact Hardware Kit	A10073-N	1	◆
	Contact Assembly, Hydraulic Power Supply (Positive)	085968	1	
1	Contact, Hydraulic Power Supply (Positive)	015253	1	
2	Insulator, Positive Contact	S10072	1	
3	Bracket, Positive Contact Mounting	086380-1	1	
4	Spring, Positive Contact	P10077	2	
5	Bolt, 5/16" X 3/4" Shoulder (1/4-20 Thread)	F05006-44	2	
6	Washer, 7.4 Flat	F81056-11	2	
7	Bolt, 5/16-18 x 1/2" Socket Button Head	F05006-20	1	
	Cable Assy, Hydraulic Positive Contact	015885	1	
8	Cable, #1 Weld	R01948	0.75m	◆
9	Terminal, 35 Ring #2 Gauge	F81066-3	2	
10	Bolt, 1/4-20 X 1" Hex Head Grade 2	F05005-38	2	
11	Nut, 1/4-20 Hex Self-Locking	F05010-9	2	
12	Bolt, 3/8-16 X 1" Hex Head Grade 5	F05007-87	2	
13	Washer, 10.5 Flat	F81055-1	4	
14	Nut, 3/8-16 Hex Nylon Lock	F05010-10	4	
	Contact Assembly, Hydraulic Power Supply (Ground)	A10066	1	
15	Contact, Hydraulic Power Supply (Ground)	015264	1	

9 HYDRAULIC SYSTEM

Hydraulic Power Supply Strip

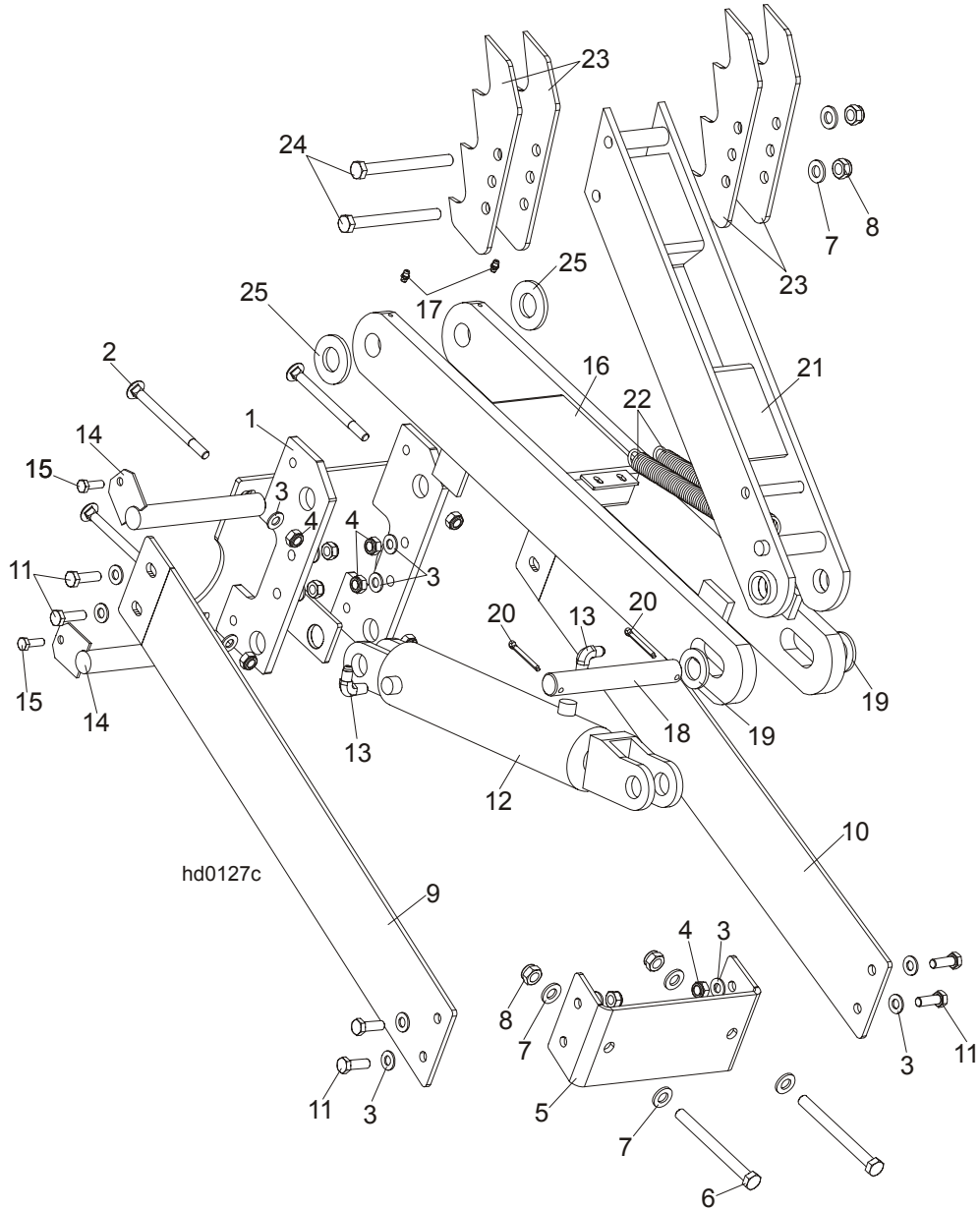
16	Bracket, Ground Contact Mounting	015265	1	
17	Cable, #1 Weld	R01948	.63m	◆
18	Bolt, 5/16-18 X 1/2" Hex Head Grade 5	F05006-15	2	
19	Washer, 8.2 Split Lock	F81054-4	2	
20	Terminal, 35 Ring #2 Gauge	F81066-3	1	
21	Bolt, 3/8-16 X 4 1/2" Hex Head Grade 2	F05007-35	2	
22	Spring, Ground Contact	P04282	2	
23	Screw, 1/4-20 X 1/2" Slotted Hex Head	F05015-1	14	
	Strip Assembly, 6' Hydraulic Power Supply w/3 ft. Cable	A11977	1	
24	Housing, 6' Contact Strip	P11976	1	
	Strip, 6' Contact With Cable	A12043-N	1	
25	Strip, 6' Contact	S10075	1	◆
26	Cable, #2 Weld	R80583-21		◆
27	Terminal, 35 Ring #2 Gauge	F81066-3	2	
28	Bolt, 5/16-18 X 3/4" Hex Head Black Nylon	F05006-45	1	
29	Nut, 5/16-18 Hex Black Nylon	F05010-86	1	
	Tube, 5/8" Heat Shrink	R01950-5	.03m	◆
	Grommet, 5/8" Wire	P04137	1	

9.5 Hydraulic Log Loader



REF	DESCRIPTION (◆ Indicates Parts Available In Assemblies Only)	PART #	QTY.
	HYDRAULIC LOG LOADER, COMPLETE	090044	1
1	Log Loader	090006-1	1
2	Fitting, 3/16" Straight Grease	P04107	2
3	CHAIN, LOG LOADER SAFETY	A04376	1
4	SHACKLE, M-D .63	086540	1
5	CYLINDER, CJ-S95-16-70/32/203 HYDRAULIC	088680	3
6	WASHER, 28 FLAT ZINC	F81061-1	6
7	PIN, LOADING ARM CYLINDER MOUNT ZINC	086979-1	3
8	PIN, S-Zn 5x40 COTTER	F81043-31	6
9	Foot, Log Loader	090048-1	3
10	Fitting, 3/16" Straight Grease	P04107	6
11	PIN, LOADER FOOT MOUNT	W09446-1	6
12	SCREW, 5/16-18 x 3/4 SELF-TAPPING	F05015-30	6
	ARM, LOG LOADING SINGLE - COMPLETE	090051	1
13	Rarm, hydraulic log loading	089657-1	1
14	Fitting, 3/16" Straight Grease	P04107	1

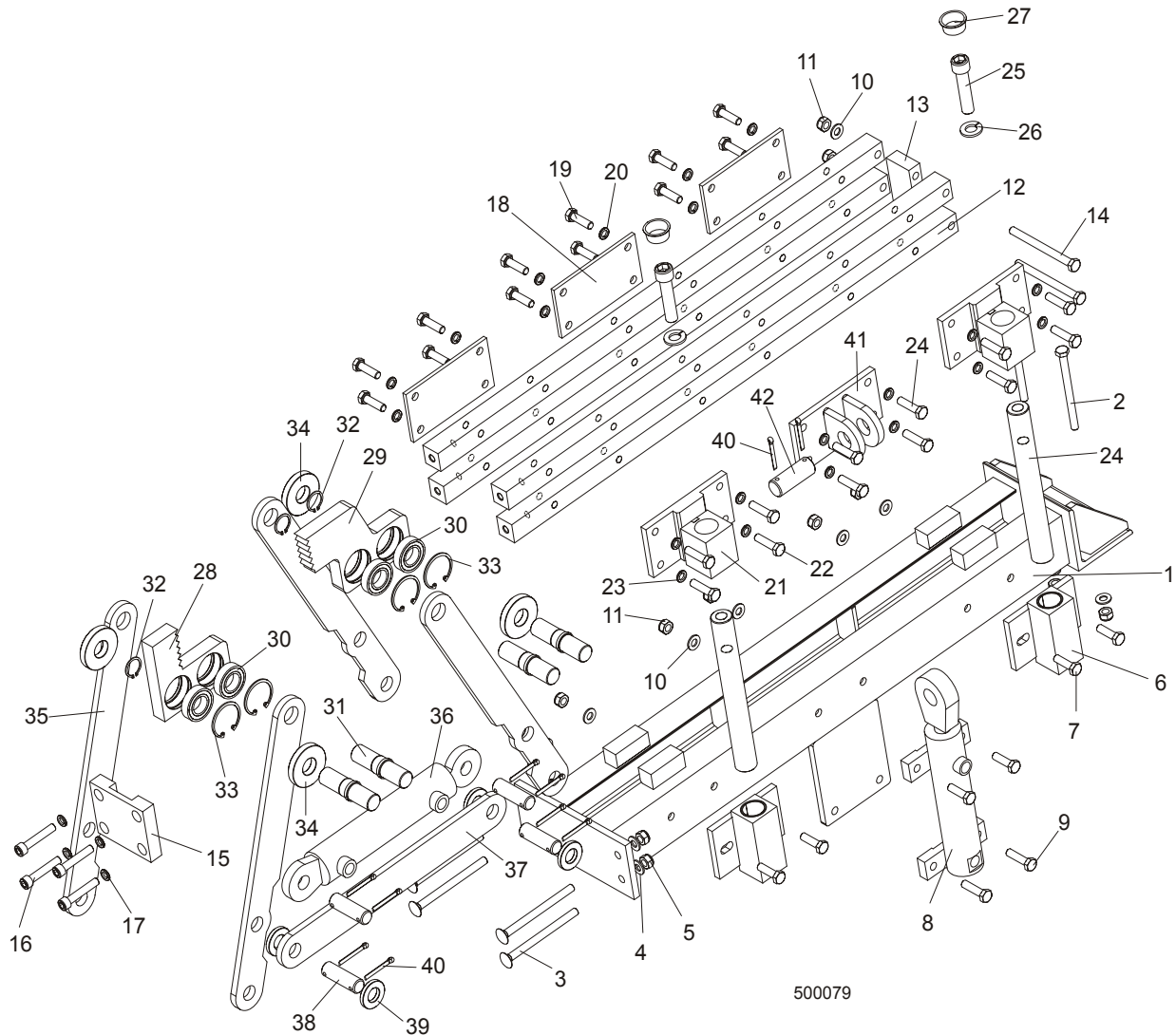
9.6 Hydraulic Log Turner



REF	DESCRIPTION (◆ Indicates Parts Available In Assemblies Only)	PART #	QTY.
	HYDRAULIC LOG TURNER, 9.5 M, COMPLETE	088073	1
1	Bracket, Hydraulic Log Turner Mount	088710-1	1
2	Bolt, M10x120 8.8 Mushroom Head Square Neck Zinc	F81003-33	4
3	Washer, M10 Flat Zinc	F81055-1	20
4	Nut, M10 Nylon Hex Zinc Lock	F81033-1	12
5	Bracket, Log Turner Front Mount	094363-1	1

6	Bolt, M12x130-8.8 Hex Head Zinc	F81004-36	2	
7	Washer, M12 Flat Zinc	F81056-1	6	
8	Nut, M12 Hex Nylon Zinc Lock	F81034-2	4	
9	Plate, Short Log Turner Left Brace	094364-1	1	
10	Plate, Short Log Turner Right Brace	094365-1	1	
11	Bolt, M10x30mm Hex Head Grade 5.8 Zinc	F81003-2	8	
	Cylinder Assy, Log Turner Super	015563	1	
12	Cylinder, CJ-S305-16-63/28/203 Hydraulic	088679	1	
13	Fitting, 1/4NPTx1/4JIC Male Elbow	P09142	2	
14	Pin, Log Turner Mount	088667-1	2	
15	Bolt, M8 x 25mm Hex Head Grade 5.8 Zinc	F81002-5	2	
16	Arm, Hydraulic Log Turner Link	088060-1	1	
17	Fitting, M6 Straight Grease	086280	2	
18	Pin, 25 x 180	088664	1	
19	Washer, 25 Flat Zinc	F81061-3	2	
20	Pin, 5x40 Cotter Zinc	F81043-31	2	
21	Arm, Hydraulic Log Turner Painted	088067-1	1	
22	Spring, 7/8x81/2x1/8 Extension	P09136	2	
23	Claw, Hydraulic Log Turner	088082-1	4	
24	Bolt, M12x130-8.8 Hex Head Zinc	F81004-36	2	
25	Washer, GTM-2644-015	093359	2	

9.7 Hydraulic Log Clamp, Front and Rear



500079

REF	DESCRIPTION (◆ Indicates Parts Available In Assemblies Only)	PART #	QTY.
	CLAMP ASSEMBLY, HYDRAULIC	089545	2
1	Mount Weldment, Hydraulic Log Clamp	088654-1	1
2	Bolt, M10x125-8.8 Zinc Hex Head	F81003-18	2
3	Bolt, M10x130-8.8 Zinc Mushroom Head Square Neck	F81003-36	4
4	Washer, 10.5 Flat Zinc	F81055-1	6
5	Nut, M10-8-B Hex Nylon Zinc Lock	F81033-1	6
6	Block, Guide Pin	089835-1	2
7	Bolt, M10x35-8.8 Zinc Hex Head Full Thread	F81003-17	4
8	Cylinder, CJ7F-16-40/22 + UE2-40W Hydraulic	088662	1
9	Bolt, M10x40-8.8 Zinc Hex Head	F81003-16	4

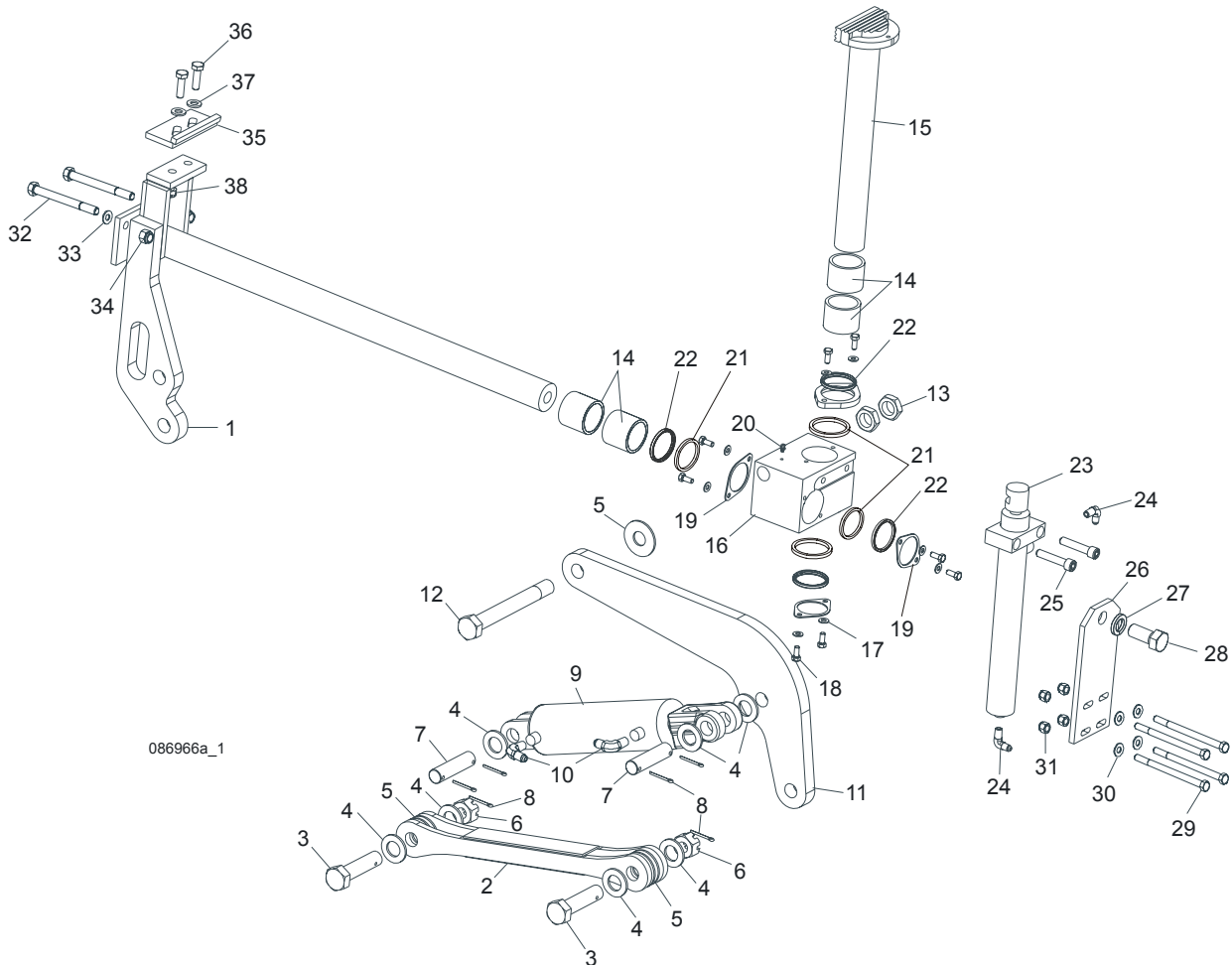
HYDRAULIC SYSTEM

Hydraulic Log Clamp, Front and Rear

9

10	Washer, M10 Flat Zinc	F81055-1	6	
11	Nut, M10-8-b Hex Nylon Zinc Lock	F81033-1	10	
12	Bar, Clamp Up/Down	089537-1	4	
13	Plate, Connecting	088645-1	1	
14	Bolt, M10x140-8.8 Zinc Hex Head	F81003-5	2	
15	Plate, Connecting	089533-1	1	
16	Bolt, M10x55-8.8 Zinc Hex Socket Head Cap	F81003-55	4	
17	Washer, 10.2 Split Lock Zinc	F81055-2	4	
18	Plate, Log Clamp Rear	089538-1	3	
19	Bolt, M10x35-8.8 Zinc Hex Head Full Thread	F81003-17	12	
20	Washer, 10.2 Split Lock Zinc	F81055-2	12	
21	Bracket, Guide Pin Mount	089536-1	2	
22	Bolt, M10x40-8.8 Zinc Hex Head Full Thread	F81003-16	8	
23	Washer, 10.2 Split Lock Zinc	F81055-2	8	
24	Pin, Clamp Up/Down Guide	088631	2	
25	Screw, M16x55-8.8 Zinc Hex Socket Head Cap	F81006-18	2	
26	Washer, 16.3 Split Lock Zinc	F81058-2	2	
27	Plug, M33 Thread	089839	2	
	Jaw, Log Clamp Left - Complete	094700	1	
28	Jaw, Log Clamp Left	093464-1	1	
30	Bearing, 6005 2RS CX	089652	4	
31	Shaft, Clamp Jaw Guide	088620-1	4	
32	Ring, Z24 Spring Retaining	089654	4	
33	Ring, W47 Spring Retaining	089653	4	
	Jaw, Log Clamp Right - Complete	094701	1	
29	Jaw, Log Clamp Right	093465-1	1	
30	Bearing, 6005 2RS CX	089652	4	
31	Shaft, Clamp Jaw Guide	088620-1	4	
32	Ring, Z24 Spring Retaining	089654	4	
33	Ring, W47 Spring Retaining	089653	4	
34	Washer, Clamp Jaw Spacer	089542	4	
35	Bar, Clamp In/Out Side	088622-1	4	
36	Cylinder, SJ2F-40/22/145 Hydraulic	088661	1	
37	Bar, Clamp In/Out Lower	088623-1	1	
38	Pin, 20X75	088657-1	4	
39	Spacer, Lower	089541	4	
40	Pin, S-Zn 5x40 Cotter	F81043-31	10	
41	Bracket, Vertical Cylinder Mount Upper	089540-1	1	
42	Pin, 25X75	088659-1	1	

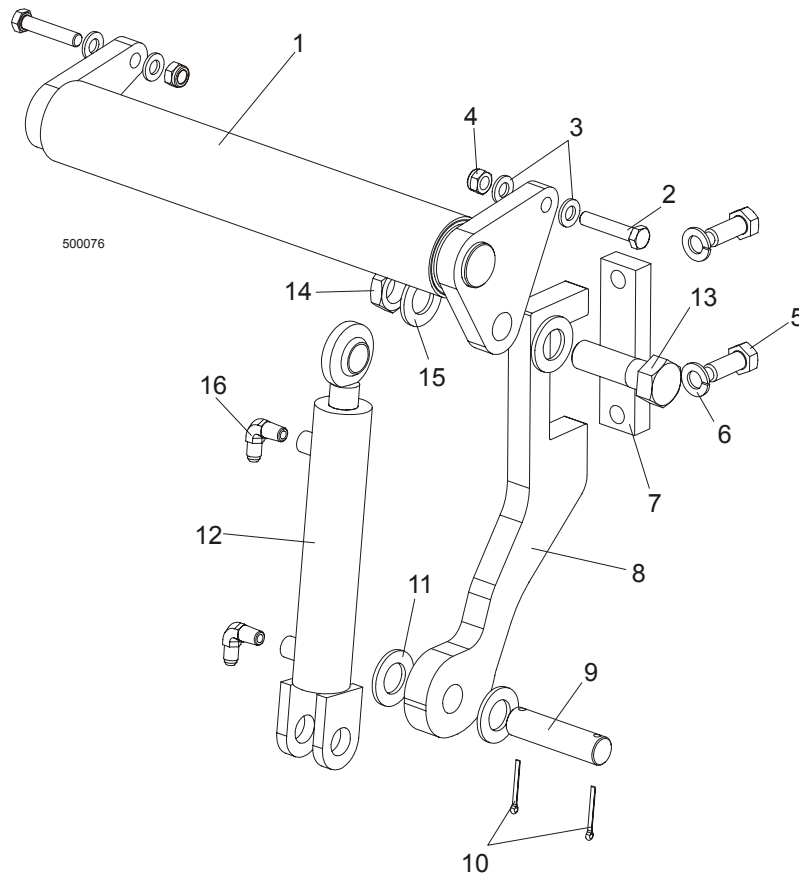
9.8 Hydraulic Log Clamp



REF	DESCRIPTION (◆ Indicates Parts Available In Assemblies Only)	PART #	QTY.
	CLAMP ASSEMBLY, SUPER HYDRAULIC	088658	1
1	Mount Weldment, Super Clamp Tube	086967-1	1
2	Arm, Clamp Link	086963-1	1
3	Bolt, B 24x95/85 Hex Head Grade 8	F81049-2	1
4	Washer, 25 Flat	F81061-3	8
5	Washer, 25X63 Hardened	088585-1	5
6	Nut, M20-8-B Slotted Hex	F81037-3	2
7	Pin, Cylinder Mount	086979-1	2
8	Pin, 6,3x45 Cotter	F81045-2	6
9	Cylinder, CJ-S96-16-70/32/178 Hydraulic	088589	1
10	Fitting, 1/4" NPT - 3/8" JIC Elbow	P09142	2
11	Link Weldment, Super '99 Clamp	086974-1	1
12	Bolt, M24x217/39 -8.8-B Hex Head Grade 8	088586-1	1

13	Nut, M24 -04-B Hex Jam	F81039-3	2	
14	Bushing, Clamp Slide 5040BS	088660	2	
15	Clamp Weldment, Vertical Super	088582-1	1	
16	Block, Vertical Clamp Mount	088591-1	1	
17	Washer, 8.4 Flat	F81054-1	8	
18	Bolt, M8x20-8.8-B Hex Head	F81002-4	8	
19	Spacer, Log Clamp	088887-1	3	
20	Fitting, 3/16" Grease	P04107	1	
21	Spacer, Log Clamp	089324	1	
22	Wiper, Up/Down Rod ZZ 50x60x7	088587	1	
23	Cylinder, CJ-S169-16-40/22/254 Hydraulic	088590	1	
24	Fitting, 1/4" NPT - 1/4" JIC Elbow	P09142	2	
25	Screw, M12x55 -8.8-B Socket Head	F81004-23	2	
26	Plate, Super Log Clamp Mount	086975-1	1	
27	Washer, Z 22,5 Split Lock	F81059-4	1	
28	Bolt, M22x1,5x40 -8.8-B Hex Head Grade 5	F81009-1	1	
29	Bolt, M10 x 125-8.8 Hex Head	F81003-18	4	
30	Washer, 10.5 Flat	F81055-1	4	
31	Nut, M10-8-B Hex Nylon Lock	F81033-1	4	
32	Bolt, M10 x 140-8.8 Hex Head	F81004-37	2	
33	Washer, 13 Flat	F81056-1	2	
34	Nut, M12-8 Hex Nylon Lock	F81034-1	2	
	CLAMP STOP KIT, HYDRAULIC LOG	K09485	1	
35	Plate, Clamp Stop	086980-1	1	
36	Bolt, M12 x 40-8.8 Hex Head	F81004-4	2	
37	Washer, 13 Flat	F81056-1	2	
38	Nut, M12-8 Hex Nylon Lock	F81034-2	2	

9.9 Hydraulic Toe Board, Middle



REF	DESCRIPTION (◆ Indicates Parts Available In Assemblies Only)	PART #	QTY.
	HYDRAULIC TOE BOARD ASSEMBLY, MIDDLE	090055	
1	Toe Board Weldment, Hydraulic	086253-1	1
2	Bolt, M12x60-8.8 Zinc Hex Head	F81004-5	1
3	Washer, 13 Zinc Flat	F81056-1	4
4	Pin, S-Zn 2.5x20 Cotter	F81043-1	2
5	Bolt, M16X40-8.8 Zinc Hex Head Full Thread	F81006-13	2
6	Washer, 16.3 Zinc Split Lock	F81058-2	2
7	Plate, Hydraulic Toe Board Mount	090086-1	1
8	Bracket, Hydraulic Toe Board Mount	089990-1	1
9	Pin, Hydraulic Cylinder Mount Zinc	086979-1	1
10	Pin, S-Zn 3/16 X 1 1/2" Cotter	F05012-23	2
11	Washer, 28 Zinc Flat	F81061-1	2
12	Cylinder, CJ-S170-16-40/25/152 Hydraulic	088681	1
	Seal Kit, 1 1/2" x 6" Hydraulic Cylinder	014547	1
13	Bolt, 1-8 X 3 1/4 HH Hex Head Grade 5	F05009-51	1
14	Nut, 1"-14	F05010-117	1

HYDRAULIC SYSTEM

Hydraulic Toe Board, Middle

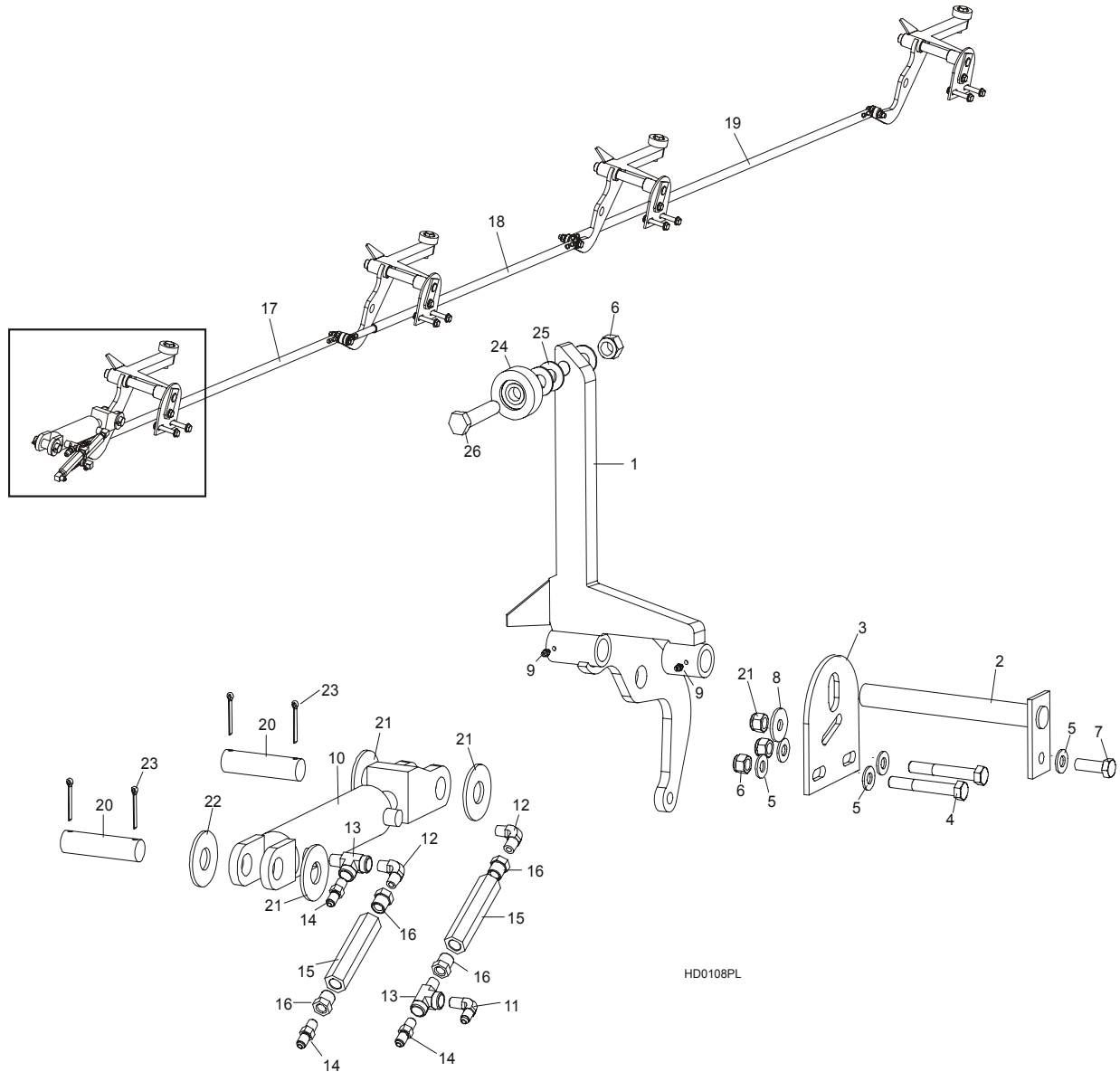
9

15	Washer, 28 Zinc Flat	F81061-1	1	
16	Fitting, C5205x4x4 Male	P09143	2	

9

HYDRAULIC SYSTEM Hydraulic Log Side Supports (L Type Frame)

9.10 Hydraulic Log Side Supports (L Type Frame)



REF	DESCRIPTION (◆ Indicates Parts Available In Assemblies Only)	PART #	QTY.
	HYDRAULIC LOG SIDE SUPPORTS (L TYPE FRAME)	093746	1
1	SUPPORT, HYDRAULIC LOG SIDE	091653-1	4
2	PIN, LOG SIDE SUPPORT PIVOT	091549-1	4
3	PLATE, LOG SIDE SUPPORT END	091591-1	4
4	BOLT, M12X75-8.8 HEX HEAD ZINC	F81004-21	8
5	WASHER, 13 FLAT ZINC	F81056-1	20

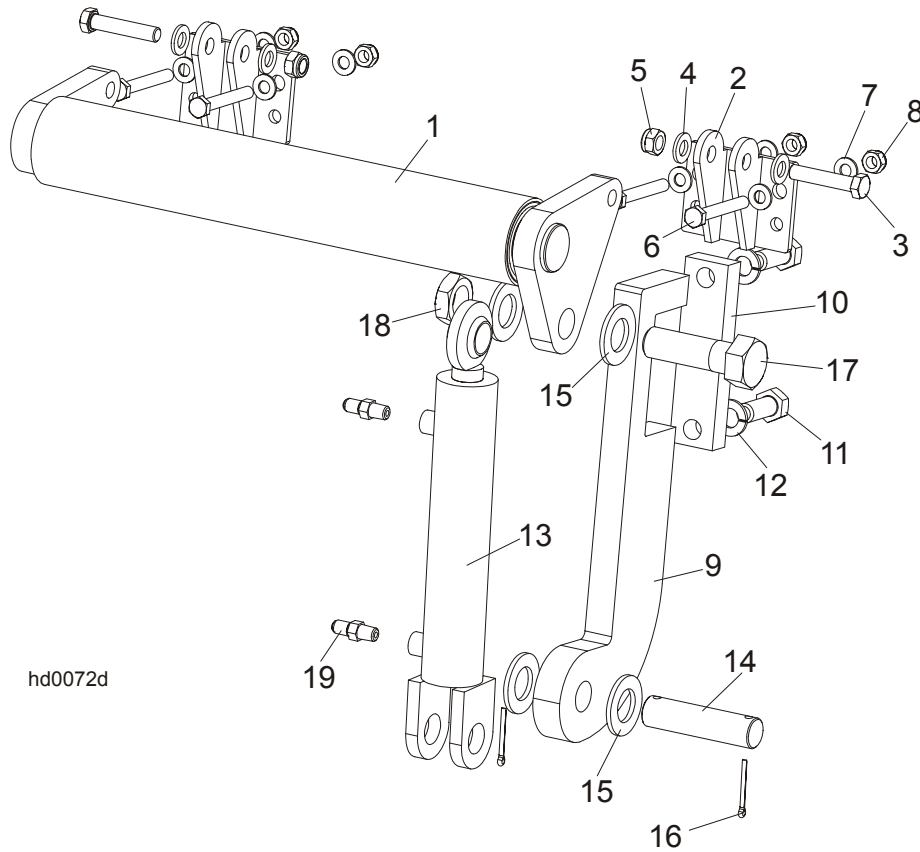
HYDRAULIC SYSTEM*Hydraulic Log Side Supports (L Type Frame)***9**

6	NUT, M12-8 HEX NYLON ZINC LOCK	F81034-2	12	
7	BOLT, M12 X 35-8.8 HEX HEAD FULL THREAD ZINC	F81004-24	4	
8	WASHER, 15 SPECIAL FLAT ZINC	F81057-3	4	
9	FITTING, 3/16" GREASE	P04107	8	
	CYLINDER ASSY, 2x6 SIDE SUPPORT SUPER	015561	1	
10	Cylinder, CJ-S270-16-50/28/152 Hydraulic	088678	1	
	Seal Kit, 6" x 2" Hydraulic Cylinder	P12954	1	
11	Fitting, 3/8JIC-1/4NPT 90L	015491	2	
12	Fitting, C3529x4 90° Pipe	P09140	4	
13	Fitting, C3759x4 Male 'T'	P09141	2	
14	Fitting, 3/8JIC-1/4NPT Str	015560	2	
15	Valve, Hydraulic Sequence	015484	2	
16	Fitting, 3/8" NPT - 1/4" NPT Reducer	015490	4	
17	ROD, HYDRAULIC SIDE SUPPORT LINK L-1675 COMPLETE	089842	1	
18	ROD, HYDRAULIC SIDE SUPPORT LINK L-1480 COMPLETE	089376	1	
19	ROD, HYDRAULIC SIDE SUPPORT LINK L-1960 COMPLETE	089377	1	
20	PIN, CYLINDER MOUNT	086979-1	2	
21	WASHER, 28 FLAT ZINC	F81061-1	3	
22	WASHER, 26 FLAT ZINC DIN 1440	F81054-8	1	
23	PIN, 5 X 40 COTTER	F81043-31	4	
	ROLLER KIT, SIDE SUPPORT	015109	4	
24	ROLLER ASSEMBLY, SIDE SUPPORT	015014-1	4	
25	WASHER, 17 FLAT ZINC	F81058-1	12	
26	BOLT, M16x65MM, HH F/THRD, GRADE 5.8, ZINC	F81006-1	4	
	Instruction Sheet, Side Support Roller	015109-526	1	

9 HYDRAULIC SYSTEM

Hydraulic Toe Board

9.11 Hydraulic Toe Board



REF	DESCRIPTION (◆ Indicates Parts Available In Assemblies Only)	PART #	QTY.
	HYDRAULIC TOE BOARD - REAR	092634	1
1	Toe Board Weldment, Hydraulic - Rear	086253-1	1
2	Bracket, Hydraulic Toe Board	087903-1	2
3	Bolt, M12x60mm Hex Head Zinc Grade 8.8	F81004-5	4
4	Washer, M12 Flat Zinc	F81056-1	8
5	Nut, M12 Hex Nylon Zinc Lock	F81034-2	4
6	Bolt, M10x75-8.8 Hex Head Zinc	F81003-15	8
7	Washer, M10 Flat Zinc	F81055-1	16
8	Nut, M10 Hex Nylon Zinc Lock	F81033-1	8
9	Bracket, Hydraulic Toeboard Mount	087729-1	2
10	Plate, Hydraulic Toeboard Mount	090086-1	2
11	Bolt, M16x40mm Hex Head Full Thread Zinc Grade 5.8	F81006-13	4
12	Washer, 16.3 Split Lock Zinc	F81058-2	4
13	Cylinder, CJ-S170-16-40/25/152 Hydraulic	088681	2
14	Pin, Cylinder Mount	086979-1	2
15	Washer, 28 Flat Zinc	F81061-1	8

16	Pin, 3/16x1.5 Cotter Zinc	F05012-23	4	
17	Bolt, 1-8x3 1/4 Hex Head Grade 5	F05009-51	2	
18	Nut, 1-14 Hex Jam Unplated	F05010-117	2	
19	Fitting, 1/4NPTx1/4JIC Male	P09143	4	