

Wood-Mizer®

Parts Manual

**LT70L DH
LT70L DH WIDE**

**rev.B7.07
rev.B7.07**



Safety is our #1 concern! Read and understand all safety information and instructions before operating, setting up or maintaining this machine.

Form #1044

Table of Contents

Section-Page

SECTION 1	GENERAL INFORMATION	1-1
1.1	How To Use the Parts List.....	1-1
1.2	Sample Assembly	1-1
SECTION 2	BLADE GUIDE ASSEMBLIES	2-1
2.1	Blade Guide Assembly, Idle Side	2-1
2.2	Blade Guide Assembly, Drive Side	2-3
2.3	Blade Guide Arm, Idle Side - Wide Saw Head	2-5
2.4	Blade Guide Arm, Idle Side	2-7
2.5	Blade Guide Mount Assembly, Drive Side	2-10
2.6	Blade Guide w/Extended Roller, Idle Side (524855)	2-11
2.7	Blade Guide w/Extended Roller, Drive Side (524863)	2-13
2.8	Extended Blade Guide Roller w/Bearings - 522502	2-15
SECTION 3	BLADE WHEELS & TENSIONER	3-1
3.1	Blade Drive Assembly.....	3-1
3.2	Idle-Side Blade Wheel Assembly	3-3
3.3	Hydraulic Blade Tensioner Assembly.....	3-4
3.4	Sawdust Flow Guide.....	3-6
3.5	Idle Side Wheel Arm Rocker W/Lever (520539_533944)	3-7
3.6	Blade Drive Wheels And Rollers Assembly, 2" Blade (586000)	3-9
3.7	2" Blade Drive Wheel (582126)	3-10
3.8	Idle Side 2" Blade Wheel (582125)	3-11
3.9	Drive Blade Wheel Wiper & Scraper Assembly (586150)	3-12
SECTION 4	SAW HEAD	4-1
4.1	Middle Throat Screw	4-1
4.2	Drive Belt Tensioner (DC)	4-2
4.3	Board Return Assembly (Optional)	4-3
4.4	Water Lube Assembly	4-5
4.5	Oil Tank	4-6
4.6	LT70DC Saw Head Decals	4-7
4.7	Blade Housing Covers.....	4-9
4.8	Sawdust Chute.....	4-11
4.9	Sawdust Chute (LT70 Wide only).....	4-12
4.10	Saw Head Rest Bracket & Plate Mount	4-13
4.11	LT Sawmill Saw Head Rest Bracket.....	4-14
4.12	Saw Head Protection Kit, LT70L Mobile	4-15
4.13	CONTROL & BATTERY BOXES.....	5-1
4.14	Control Assembly (Gas/Diesel).....	5-1
SECTION 5		5-2
5.1	Control Assembly (Gas/Diesel).....	5-3
5.2	Drum Switches	5-5
5.3	Front Panel Assembly & Harnesses	5-8
5.4	Circuit Breakers.....	5-9

Table of Contents

Section-Page

5.5	Solenoids	5-10	
5.6	Battery Box Assembly (Sawmills w/D42 Engine Only).....	5-11	
5.7	Fuse Box Assembly (Sawmills w/D42 Engine Only)	5-12	
SECTION 6 UP/DOWN SYSTEM			6-1
6.1	Up/Down Rollers & Covers	6-1	
6.2	Blade Height Scale	6-3	
6.3	Up/Down Chain & Sprockets	6-5	
6.4	Safety Switches	6-6	
6.5	Up/Down Drive Assembly	6-7	
SECTION 7 FEED SYSTEM & TRACK ROLLERS			7-1
7.1	Upper Track Rollers And Wipers.....	7-1	
7.2	Power Feed Assembly	7-3	
7.3	Feed Chain/Stop	7-4	
7.4	Lower Track Rollers.....	7-5	
SECTION 8 BED FRAME ASSEMBLY			8-1
8.1	Bed Rail Assembly (L Type Frame)	8-1	
8.2	Bed Rail Assembly (L Type Frame)	8-2	
8.3	Bed Rail Assembly (L Type Frame)	8-3	
8.4	Bed Rail Assembly (L Type Frame)	8-4	
8.5	Additional Angled Bed Rail (Long) - Complete	8-5	
8.6	Additional Flat Bed Rail (Long) - Complete	8-6	
8.7	Additional Flat Bed Rail (Short) - Complete	8-7	
8.8	Additional Angled Bed Rail (Short) - Complete	8-8	
8.9	Stationary Legs	8-9	
8.10	Log Side Support (Manual)	8-10	
8.11	Bed Extension LT70 (0.9m) - Complete	8-12	
8.12	Angled Bed Rails for "L" Frame	8-14	
8.13	Bed Frame Decals	8-15	
8.14	Saw Head Transport Bracket	8-16	
8.15	Saw Head Transport Bracket, LT70L	8-17	
8.16	Inspection Platform for the Old Type Frame (Optional)	8-18	
8.17	IFront Adjustable Leg (at the hitch)	8-19	
8.18	Wall Mount Remote Set (Cutting Length of 6.5 m).....	8-20	
8.19	Wall Mount Remote Set (Cutting Length of 6.5-10 m)	8-21	
8.20	4-Post Remote Set	8-22	
8.21	5-Post Remote Set	8-23	
8.22	Octagonal Profile Sawing Tool (Option)	8-24	
8.23	Sawmill Transport Bracket Assembly (Option)	8-25	
8.24	Tie Down Chain Assembly	8-26	
8.25	7-Post Remote Set 550025	8-27	
8.26	Guide Rail 550024	8-28	
8.27	Guide Rail Support Post 520669	8-29	
8.28	Guide Rail Support Post 518736	8-30	
8.29	Wall Mount Remote Set 550026	8-31	

Table of Contents

Section-Page

8.30	Wall Mount Bracket Kit 518724	8-32
------	-------------------------------------	------

SECTION 9 HYDRAULIC SYSTEM

9-1

9.1	Hydraulic hoses, LT20L/LT40L/LT70L AH	9-2
9.2	Hydraulic Control Box, LT70L DH15	9-4
9.3	Hydraulic Control Box	9-6
9.4	Hydraulic Power Supply Strip.....	9-8
9.5	Hydraulic Log Loader	9-10
9.6	Hydraulic Log Turner.....	9-11
9.7	Hydraulic Log Clamp, Front and Rear	9-13
9.8	Hydraulic Log Clamp	9-15
9.9	Hydraulic Side Supports Assembly “L” (536203)	9-17
9.10	Hydraulic Cylinder (015561)	9-19
9.11	Side Support Rod “L”	9-20
9.12	Hydraulic Toe Board, Middle	9-21
9.13	Shock Absorber Assembly - Option for Sawmills Equipped with Hydraulics	9-22
9.14	Loader-Arm Rail - “L” Frame	9-24
9.15	Log Loader, 3-arms, L-Frame	9-25
9.16	Vertical Side Support Kit - L-type frame	9-27
9.17	Side Supports “L” Frame	9-29
9.18	Hydraulic Log Side Supports (L Type Frame).....	9-31
9.19	Main Hydraulic Log Clamp (2 Rods)	9-33
9.20	Main Log Clamp (540970)	9-35
9.21	Hydraulic Log Clamp	9-37
9.22	Hydraulic Toe Board	9-39
9.23	Left Hydraulic Toe Board (on lower bed rail)	9-40
9.24	Driven Log Levelling Roller (Option)	9-41
9.25	Driven Log Levelling Roller (mounted on lower bed rail)	9-43
9.26	Driven Log Levelling Roller, Lower Bed Rail (510607), Back “L” Frame (544241) 9-45	
9.27	Log Levelling Driven Roller. 2 Cylinders.	9-47
9.28	Driven Log Levelling Roller, Left w/2 Cylinders	9-49
9.29	Driven Log Levelling Roller, Right w/2 Cylinders	9-51
9.30	Cylinder Assembly. 555239	9-53

SECTION 1 GENERAL INFORMATION

1.1 How To Use the Parts List

- Use the index above to locate the assembly that contains the part you need.
- Go to the appropriate section and locate the part in the illustration.
- Use the number pointing to the part to locate the correct part number and description in the table.
- Parts shown indented under another part are included with that part.
- Parts marked with a diamond (◆) are only available in the assembly listed above the part.

See the sample table below. Sample Part #A01111 includes part F02222-2 and subassembly A03333. Subassembly A03333 includes part S04444-4 and subassembly K05555. The diamond (◆) indicates that S04444-4 is not available except in subassembly A03333. Subassembly K05555 includes parts M06666 and F07777-77. The diamond (◆) indicates M06666 is not available except in subassembly K05555.

1.2 Sample Assembly				
REF.	DESCRIPTION (◆ Indicates Parts Available In Assemblies Only)	PART #	QTY	
	Sample Assembly, Complete (Includes All Indented Parts Below)	A01111	1	
1	Sample Part	F02222-22	1	
	Sample Subassembly (Includes All Indented Parts Below)	A03333	1	
2	Sample Part (◆ Indicates Part Is Only Available With A03333)	S04444-4	1	◆
	Sample Subassembly (Includes All Indented Parts Below)	K05555	1	
3	Sample Part (◆ Indicates Part Is Only Available With K05555)	M06666	2	◆
4	Sample Part	F07777-77	1	

To Order Parts:

- From Europe call our European Headquarters and Manufacturing Facility in Kolo, Poland at **+48-63-2626000**. From the continental U.S., call our toll-free Parts hotline at **1-800-525-8100**. Have your customer number, vehicle identification number, and part numbers ready when you call. From other international locations, contact the Wood-Mizer distributor in your area for parts.

Office Hours:

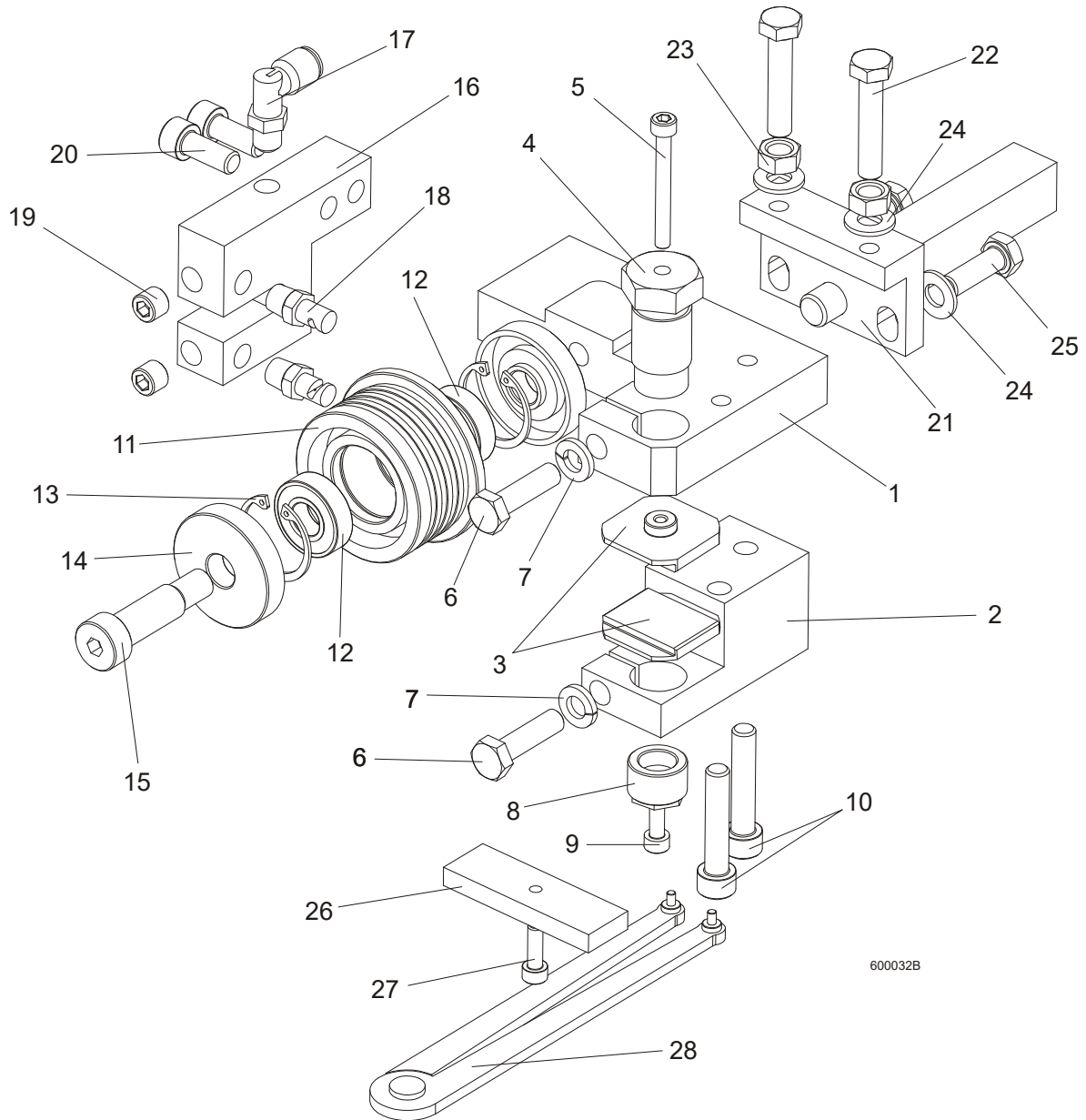
Country	Monday - Friday	Saturday	Sunday
Poland	7-15	Closed	Closed
US	8 a.m.- 5 p.m.	8 a.m.- 12 p.m.	Closed



CAUTION! It is strongly recommended that only original spare parts be used.

SECTION 2 BLADE GUIDE ASSEMBLIES

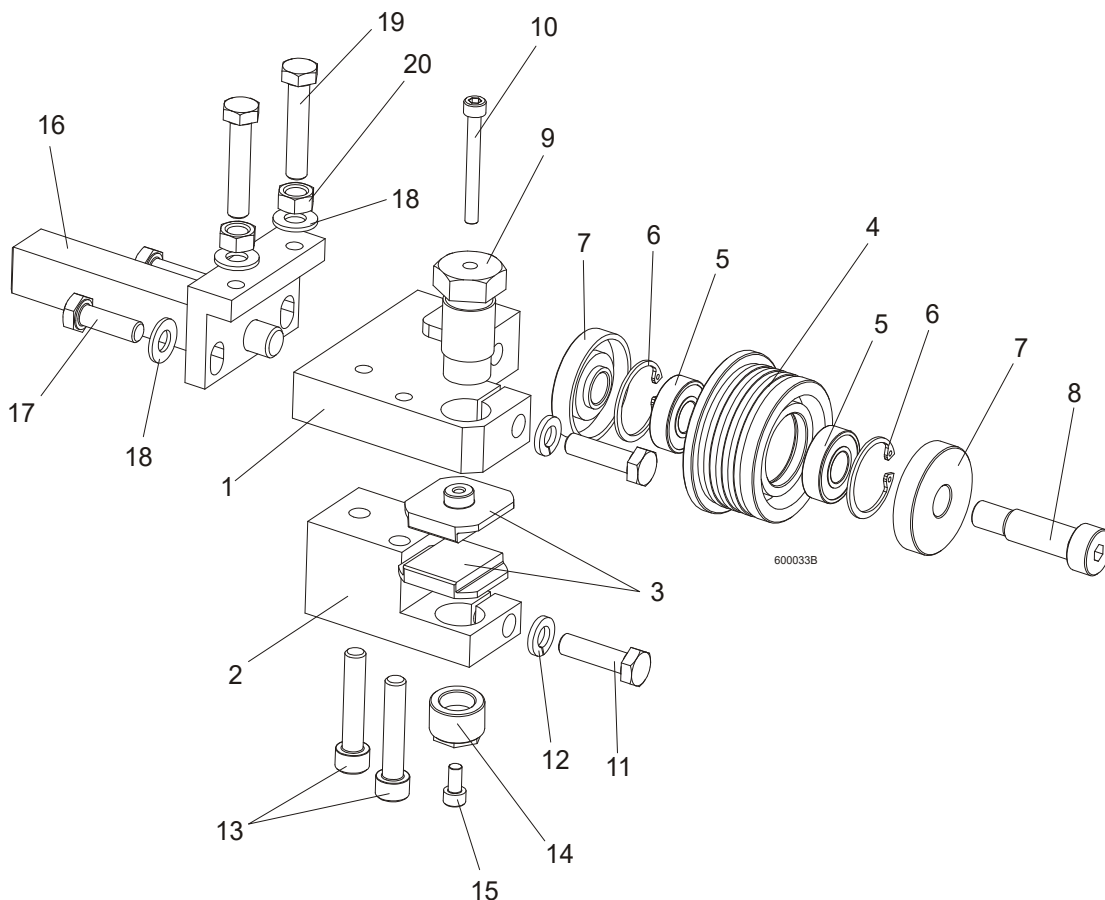
2.1 Blade Guide Assembly, Idle Side



600032B

REF	DESCRIPTION (◆ INDICATES PARTS AVAILABLE IN ASSEMBLIES ONLY)	PART #	QTY	
	BLADE GUIDE ASSEMBLY, IDLE SIDE, EXTENDED (FOR OPTIONAL USE WITH 1 1/2" BLADES)	092997	1	
1	Block, Blade Guide Mount Zinc-Plated	090947-1	1	
2	Block, Lower Ceramic Pad Mount Zinc-Plated	090948-1	1	
3	Block, Blade Guide Zinc	093430-1	2	
4	Bolt, Upper Pad Adjustment Zinc-Plated	089515-1	1	
5	SCREW, M5X45 DIN912 A2-70 HEX SOCKET HE	F81000-24	1	
6	Bolt, M8x30 DIN933 A2-70 Stainless Steel	F81002-27	2	
7	WASHER 8,2 SPLIT LOCK ZINC	F81054-4	2	
8	Screw, Lower Pad Adjuster Zinc-Plated	516191-1	1	
9	SCREW, M5X10 DIN912 A2-70 HEX SOCKET HE	F81000-23	1	
10	Screw, M8x40-8.8 Hex Socket Head Cap Zinc	F81002-29	2	
	Roller, Blade Guide w/Bearing, Extended	092939	1	
11	Roller, Blade Guide Extended	087890	1	
12	BEARING, 6001 2RSR (FAG, SKF)	087893	2	
13	Ring, W28 Inside Retaining	F81090-9	2	
14	RING, ZINC-PLATED SPACER	087891-1	1	
	Washer, Blade Guide Roller Spacer Zinc-Plated	087892-1	1	
15	Screw, 12/M10x30 12.9 ISO 7379 Socket Head Shoulder	F81003-70	1	
	Screw, 12/M10x35 12.9 ISO 7379 Socket Head Shoulder (used with the Extended Roller only)	F81003-48	1	
16	Block, Nozzle Mounting Zinc-Plated	090487-1	1	
17	ELBOW, 90 DEG 1/8MPT 1/4 TUBE SWIVEL	P09736	1	
18	Nozzle, Blade Lube Spray	033479	2	
19	PLUG, M10X1 DIN906 BN40 ZINC	F81015-3	2	
20	Screw, M8x20-8.8 Hex Socket Head Cap Zinc	F81002-30	2	
21	BRACKET WELDMENT, BLADE GUIDE ZINC-PLATE	089509-1	1	
22	Bolt, M8x40 DIN933 A2-70 Stainless Steel	F81002-28	2	
23	NUT, M8 DIN 934 A2-70 STAINLESS STEEL	F81032-7	2	
24	WASHER, 8.4 FLAT ZINC	F81054-1	4	
25	Bolt, M8x25 DIN933 A2-70 Stainless Steel	F81002-26	2	
	PLATE, BLADE GUIDE ALIGNMENT - COMPLETE	090951	1	
26	PLATE, BLADE GUIDE ALIGNMENT ZINC-PLATED	090805-1	1	
27	Screw, M5X16-8.8 Hex Socket Head Cap Zinc	F81000-25	1	
28	Tool, 62860-3 (PERSCHMAN) Lower Pad Adjustment	090949	1	

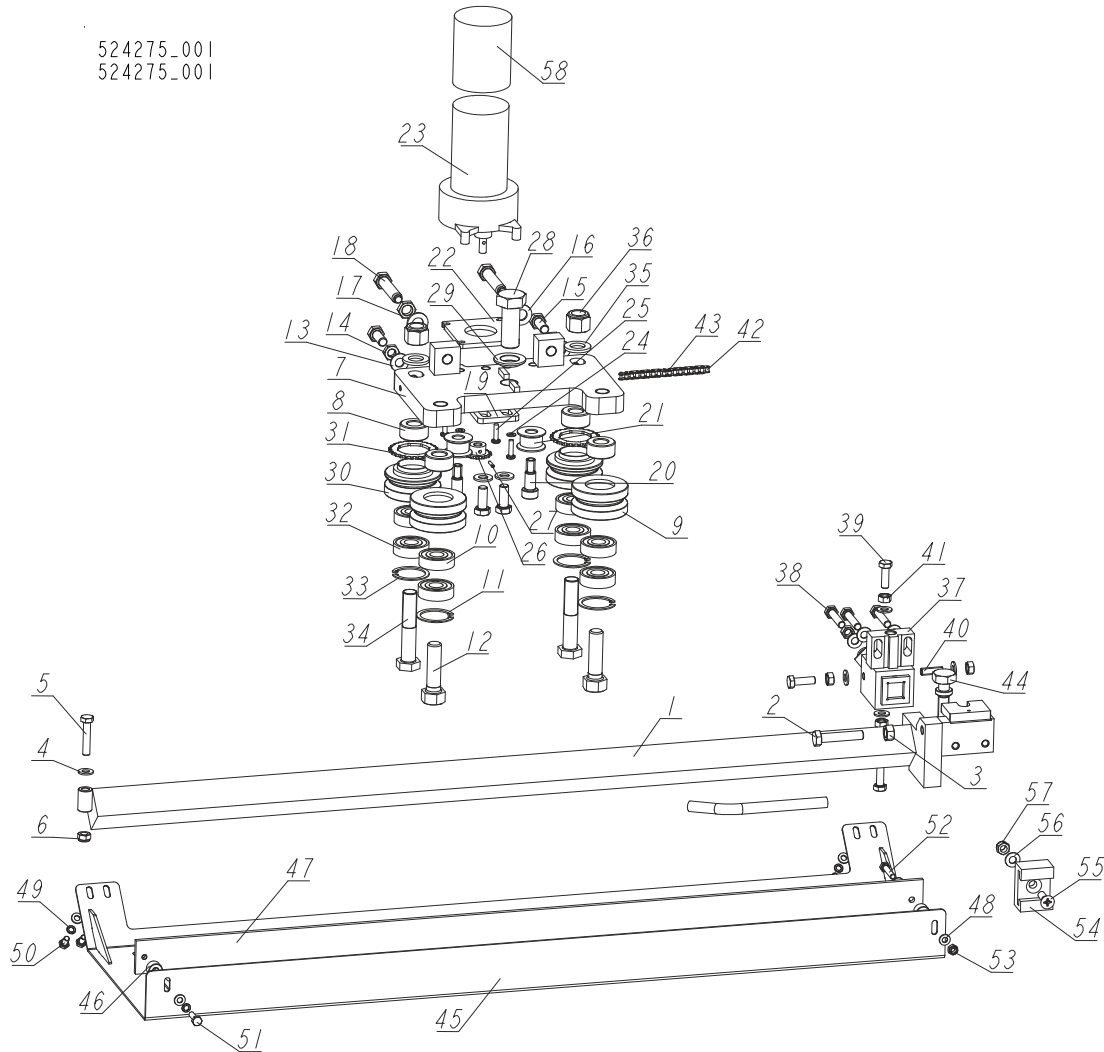
2.2 Blade Guide Assembly, Drive Side



REF	DESCRIPTION (◆ INDICATES PARTS AVAILABLE IN ASSEMBLIES ONLY)	PART #	QTY	
	BLADE GUIDE ASSEMBLY, DRIVE SIDE, EXTENDED (FOR OPTIONAL USE WITH 1 1/2" BLADES)	092998	1	
1	Block, Blade Guide Mount Zinc-Plated	090944-1	1	
2	Block, Lower Ceramic Pad Mount Zinc-Plated	090946-1	1	
3	Block, Blade Guide Zinc	093430-1	2	
	Roller, Blade Guide w/Bearing, Extended	092939	1	
4	Roller, Blade Guide Extended	087890	1	
5	BEARING, 6001 2RSR (FAG, SKF)	087893	2	◆
6	Ring, W28 Inside Retaining	F81090-9	2	
7	RING, ZINC-PLATED SPACER	087891-1	1	
	Washer, Blade Guide Roller Spacer Zinc-Plated	087892-1	1	
8	Screw, 12/M10x30 12.9 ISO 7379 Socket Head Shoulder	F81003-70	1	
	Screw, 12/M10x35 12.9 ISO 7379 Socket Head Shoulder (used with the Extended Roller only)	F81003-48	1	
9	Bolt, Upper Pad Adjustment	089515	1	
10	SCREW, M5X45 DIN912 A2-70 HEX SOCKET HE	F81000-24	1	
11	Bolt, M8x30 DIN933 A2-70 Stainless Steel	F81002-27	2	
12	WASHER 8,2 SPLIT LOCK ZINC	F81054-4	2	
13	Screw, M8x40-8.8 Hex Socket Head Cap Zinc	F81002-29	2	
14	SCREW, LOWER PAD ADJUSTER ZINC-PLATED	516191-1	1	

15	SCREW, M5X10 DIN912 A2-70 HEX SOCKET HE	F81000-23	1	
16	BRACKET WELDMENT, BLADE GUIDE ZINC-PLATE	089509-1	1	
17	Bolt, M8x25 DIN933 A2-70 Stainless Steel	F81002-26	2	
18	WASHER, 8.4 FLAT ZINC	F81054-1	4	
19	Bolt, M8x40 DIN933 A2-70 Stainless Steel	F81002-28	2	
20	NUT, M8 DIN 934 A2-70 STAINLESS STEEL	F81032-7	2	

2.3 Blade Guide Arm, Idle Side - Wide Saw Head

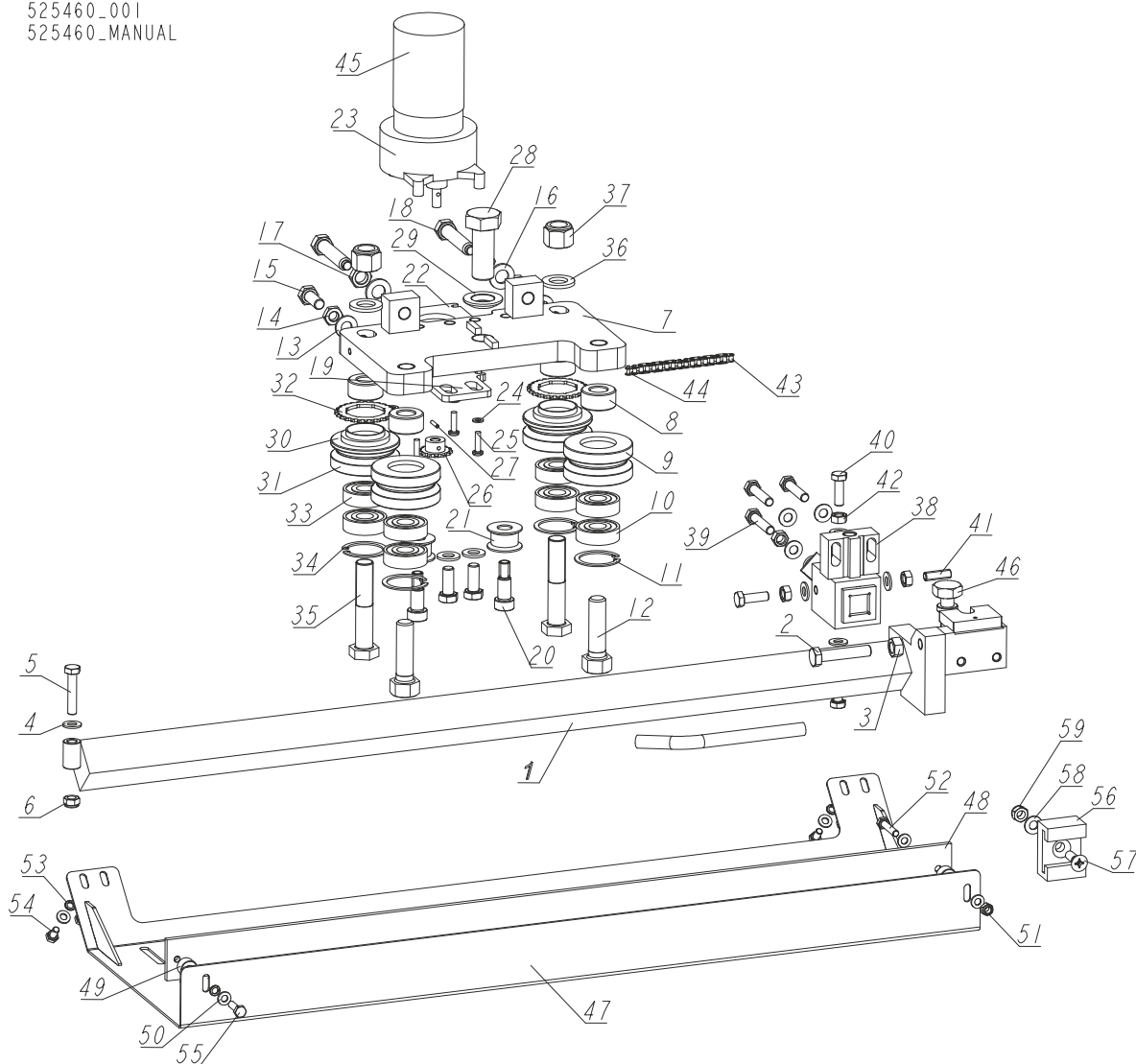


REF	DESCRIPTION (◆ INDICATES PARTS AVAILABLE IN ASSEMBLIES ONLY)	PART #	QTY
-	ARM, BLADE GUIDE - IDLE SIDE	524275	1
1	ARM, BLADE GUIDE ZINC-PLATED	524273-1	1
2	BOLT, M10X50MM,HEX HEAD FULL THREAD ZINC	F81003-4	1
3	NUT, M10-8-B-HEX ZINC	F81033-3	1
4	WASHER, 8.4 FLAT ZINC	F81054-1	8
5	BOLT, M8X40-8.8 HEX HEAD FULL THREAD ZINC	F81002-15	1
6	NUT, M8-8-B HEX NYLON ZINC LOCK	F81032-2	1
7	PLATE WELDMENT, BLADE GUIDE ARM ZINC-PLATED	090800-1	1
8	BUSHING, 16/32-16 ZINC-PLATED	090804-1	4
-	ROLLER ASSY, B/G IDLER	042543	2
9	ROLLER, 2 1/2 V-GROOVE	042536	1
10	BEARING, 5/8X1.7548X.4724	P06030-1	2
11	RING, 1.575 INTERNAL BEVELED RETAINING	F04254-8	1
12	BOLT, 5/8-18X2 1/4 HH GRADE 5	F05009-80	2
13	WASHER, 10.5 FLAT ZINC	F81055-1	4
14	NUT, M10-04-W HEX ZINC THIN	F81033-6	2
15	BOLT, M10X25 8.8 HEX HEAD FULL THREAD	F81003-31	4

REF	DESCRIPTION (◆ INDICATES PARTS AVAILABLE IN ASSEMBLIES ONLY)	PART #	QTY
16	WASHER, 13 FLAT ZINC	F81056-1	2
17	NUT, M12X1.25-8 HEX THIN ZINC	F81034-5	2
18	SCREW, M12X1.25X60-33H HEX SET ZINC W/FULL DOG POINT	F81004-52	2
19	PLATE, BLADE GUIDE MOTOR MOUNT	557374-1	1
20	BOLT, 12/M10X20 12.9 ISO7379 SHOULDER (BOSSARD)	F81003-68	2
21	ROLLER, CHAIN GUIDE	090801	2
22	PLATE, SPACER	557373-1	1
23	MOTOR, CURRENT APPLICATION 1/30HP 12VDC GEAR	557161	1
24	WASHER, 5.3 FLAT ZINC	F81052-1	4
25	BOLT, #10-32X3/4 CRSL PH	F81000-35	4
26	SPROCKET, 25B13X.3130	P09970	1
27	PIN, 3X14 GEOMET ROLL	F81044-4	1
28	BOLT, M20X1.5X50-8.8-B HEX HEAD FULL THREAD ZINC	F81007-2	1
29	WASHER, DIN 6319-21C SPHERICAL (GOMA)	F81059-6	1
-	ROLLER ASSY, B/G DRIVE	042542	2
-	ROLLER ASSY, B/G PRESSED DRIVE	042541	1
30	ROLLER, 2.5 V-GROOVE DRIVE	042535	1
31	SPROCKET, #25 CHAIN 26 TOOTH	S09931	1
32	BEARING, 5/8X1.7548X.4724	P06030-1	2
33	RING, 1.575 INTERNAL BEVELED RETAINING	F04254-8	1
34	BOLT, 5/8-18X3 1/4 HHC GRADE 5	F05009-98	2
35	WASHER, 17 SPLIT LOCK ZINC	F81058-1	2
36	NUT, 5/8-18 NYLON ZINC LOCK	F05010-71	2
37	MOUNTING BLOCK, DRIVE SIDE BLADE GUIDE (089503-1	1
38	BOLT, M8X40 DIN933 A2-70 STAINLESS STEEL	F81002-28	3
39	BOLT, M8X25 DIN933 A2-70 STAINLESS STEEL	F81002-26	3
40	SCREW, M8X25 A2-70 DIN 913 STAINLESS STE	F81014-3	1
41	NUT, M8 DIN 934 A2-70 STAINLESS STEEL	F81032-7	5
-	CHAIN, BLADE GUIDE ARM DRIVE	093805	1
42	CHAIN, #25X92 PITCHES B/G	042443	2
43	LINK, 25 MASTER	P09983	2
44	BOLT, BLADE GUIDE ADJUSTMENT (ZINC-PL.)	506552-1	1
-	GUARD, LT70 BLADE - COMPLETE	525483	1
45	GUARD WELDMENT, LT70 BLADE	525480-1	1
46	BUSHING, 6.5/16-10.5	525463-1	2
47	BAR, LT70 BLADE GUARD	524272	1
48	WASHER, 6.4 FLAT ZINC	F81053-1	7
49	WASHER, Z 6.1 SPLIT LOCK	F81053-3	5
50	BOLT, M6X12-8.8 HEX HEAD FULL THREAD ZIN	F81001-7	4
51	BOLT, M6X20 8.8 HEX HEAD FULL THREAD ZINC	F81001-2	1
52	BOLT, M6X30-8.8 HEX HEAD FULL THREAD	F81001-13	1
53	NUT, M6-8-B HEX NYLON ZINC LOCK	F81031-2	1
54	BRACKET, BLADE GUIDE ARM GUIDE	088305	1
55	BOLT, M8X25 PAN HEAD ZINC	F81002-51	1
56	WASHER, 8.4 FLAT ZINC	F81054-1	1
57	NUT, M8-8-B HEX NYLON ZINC LOCK	F81032-2	1
58	CAP, 2.5 ID X 3 RUBBER	023720	1

2.4 Blade Guide Arm, Idle Side

525460_001
 525460_MANUAL



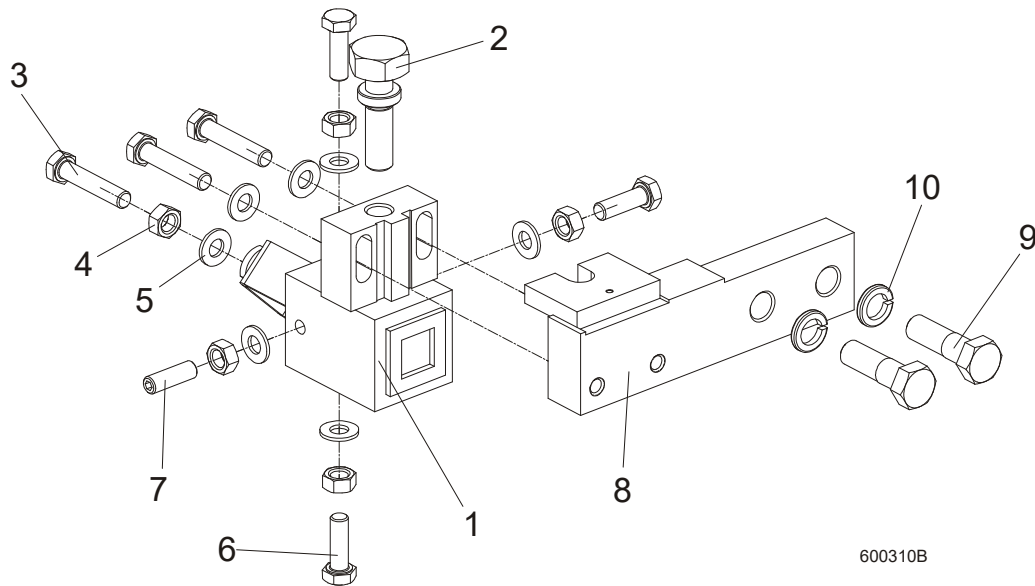
REF	DESCRIPTION (◆ INDICATES PARTS AVAILABLE IN ASSEMBLIES ONLY)	PART #	QTY
-	ARM, BLADE GUIDE - IDLE SIDE	525460	1
1	ARM, BLADE GUIDE ZINC-PLATED	525856-1	1
2	BOLT, M10X50MM,HEX HEAD FULL THREAD ZINC	F81003-4	1
3	NUT, M10-8-B-HEX ZINC	F81033-3	1
4	WASHER, 8.4 FLAT ZINC	F81054-1	8
5	BOLT, M8X40-8.8 HEX HEAD FULL THREAD ZINC	F81002-15	1
6	NUT, M8-8-B HEX NYLON ZINC LOCK	F81032-2	1
7	PLATE WELDMENT, BLADE GUIDE ARM ZINC-PLATED	090800-1	1
8	BUSHING, 16/32-16 ZINC-PLATED	090804-1	4
-	ROLLER ASSY, B/G IDLER	042543	2
9	ROLLER, 2 1/2 V-GROOVE	042536	1
10	BEARING, 5/8X1.7548X.4724	P06030-1	2
11	RING, 1.575 INTERNAL BEVELED RETAINING	F04254-8	1

REF	DESCRIPTION (◆ INDICATES PARTS AVAILABLE IN ASSEMBLIES ONLY)	PART #	QTY
12	BOLT, 5/8-18X2 1/4 HH GRADE 5	F05009-80	2
13	WASHER, 10.5 FLAT ZINC	F81055-1	4
14	NUT, M10-04-W HEX ZINC THIN	F81033-6	2
15	BOLT, M10X25 8.8 HEX HEAD FULL THREAD	F81003-31	4
16	WASHER, 13 FLAT ZINC	F81056-1	2
17	NUT, M12X1.25-8 HEX THIN ZINC	F81034-5	2
18	SCREW, M12X1.25X60-33H HEX SET ZINC W/FULL DOG POINT	F81004-52	2
19	PLATE, BLADE GUIDE MOTOR MOUNT	557374-1	1
20	BOLT, 12/M10X20 12.9 ISO7379 SHOULDER (BOSSARD)	F81003-68	2
21	ROLLER, CHAIN GUIDE	090801	2
22	PLATE, SPACER	557373-1	1
23	MOTOR, CURRENT APPLICATION 1/30HP 12VDC GEAR	557161	1
24	WASHER, 5.3 FLAT ZINC	F81052-1	4
25	BOLT, #10-32X3/4 CRSL PH	F81000-35	4
26	SPROCKET, 25B13X.3130	P09970	1
27	PIN, 3X14 GEOMET ROLL	F81044-4	1
28	BOLT, M20X1.5X50-8.8-B HEX HEAD FULL THREAD ZINC	F81007-2	1
29	WASHER, DIN 6319-21C SPHERICAL (GOMA)	F81059-6	1
30	ROLLER ASSY, B/G DRIVE	042542	2
-	ROLLER ASSY, B/G PRESSED DRIVE	042541	1
31	ROLLER, 2.5 V-GROOVE DRIVE	042535	1
32	SPROCKET, #25 CHAIN 26 TOOTH	S09931	1
33	BEARING, 5/8X1.7548X.4724	P06030-1	2
34	RING, 1.575 INTERNAL BEVELED RETAINING	F04254-8	1
35	BOLT, 5/8-18X3 1/4 HHC GRADE 5	F05009-98	2
36	WASHER, 17 SPLIT LOCK ZINC	F81058-1	2
37	NUT, 5/8-18 NYLON ZINC LOCK	F05010-71	2
38	MOUNTING BLOCK, DRIVE SIDE BLADE GUIDE (089503-1	1
39	BOLT, M8X40 DIN933 A2-70 STAINLESS STEEL	F81002-28	3
40	BOLT, M8X25 DIN933 A2-70 STAINLESS STEEL	F81002-26	3
41	SCREW, M8X25 A2-70 DIN 913 STAINLESS STE	F81014-3	1
42	NUT, M8 DIN 934 A2-70 STAINLESS STEEL	F81032-7	5
-	CHAIN, BLADE GUIDE ARM DRIVE	093805	1
43	CHAIN, #25X92 PITCHES B/G	042443	2
44	LINK, 25 MASTER	P09983	2
45	CAP, 2.5 ID X 3 RUBBER	023720	1
46	BOLT, BLADE GUIDE ADJUSTMENT (ZINC-PL.)	506552-1	1
-	GUARD, LT70 STANDARD BLADE	525860	1
47	GUARD WELDMENT, LT70 BLADE	525459-1	1
48	BAR, BLADE GUARD	088306	1
49	BUSHING, 6.5/16-10.5	525463-1	2
50	WASHER, 6.4 FLAT ZINC	F81053-1	7
51	NUT, M6-8-B HEX NYLON ZINC LOCK	F81031-2	1
52	BOLT, M6X30-8.8 HEX HEAD FULL THREAD	F81001-13	1
53	WASHER, Z 6.1 SPLIT LOCK	F81053-3	5
54	BOLT, M6X12-8.8 HEX HEAD FULL THREAD ZIN	F81001-7	4
55	BOLT, M6X20 8.8 HEX HEAD FULL THREAD ZINC	F81001-2	1

2**Blade Guide Assemblies***Blade Guide Arm, Idle Side*

REF	DESCRIPTION (◆ INDICATES PARTS AVAILABLE IN ASSEMBLIES ONLY)	PART #	QTY	
56	BRACKET, BLADE GUIDE ARM GUIDE	088305	1	
57	BOLT, M8X25 PAN HEAD ZINC	F81002-51	1	
58	WASHER, 8.4 FLAT ZINC	F81054-1	1	
59	NUT, M8-8-B HEX NYLON ZINC LOCK	F81032-2	1	

2.5 Blade Guide Mount Assembly, Drive Side

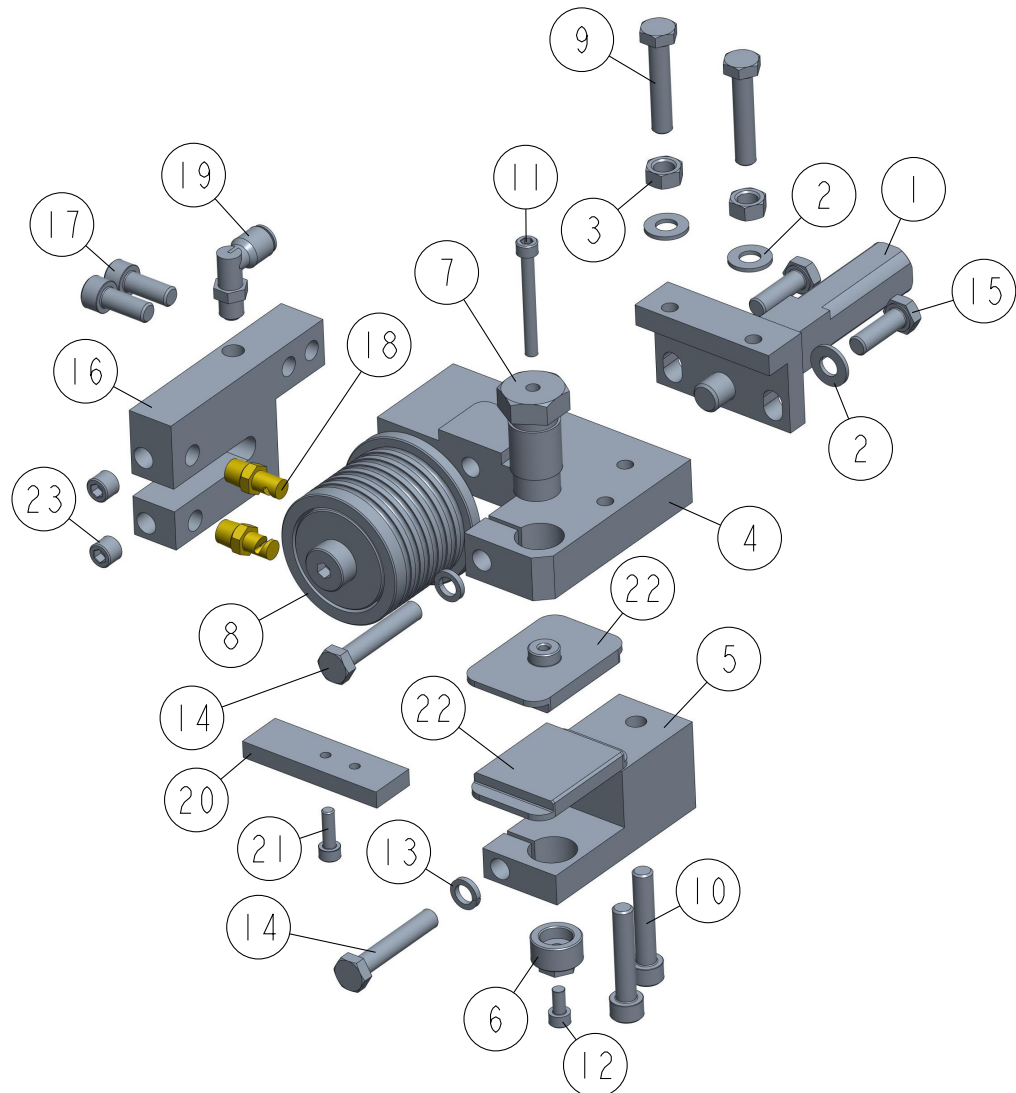


600310B

REF	DESCRIPTION (◆ INDICATES PARTS AVAILABLE IN ASSEMBLIES ONLY)	PART #	QTY	
	MOUNTING BLOCK, DRIVE SIDE	091338	1	
1	MOUNTING BLOCK, DRIVE SIDE BLADE GUIDE (ZINC-PL.)	089503-1	1	
2	BOLT, BLADE GUIDE ADJUSTMENT (ZINC-PL.)	506552-1	1	
3	BOLT, M8x40 DIN933 A2-70 STAINLESS STEEL	F81002-28	3	
4	NUT, M8 DIN 934 A2-70 STAINLESS STEEL	F81032-7	5	
5	WASHER, 8.4 FLAT ZINC	F81054-1	7	
6	BOLT, M8x25 DIN933 A2-70 STAINLESS STEEL	F81002-26	3	
7	SCREW, M8x25 A2-70 DIN 913 STAINLESS STEEL SET	F81014-3	1	
8	BAR, BLADE GUIDE MOUNT (ZINC-PL.)	089501-1	1	
9	BOLT, M12x40-8.8 HEX HEAD ZINC	F81004-1	2	
10	WASHER, Z12.2 SPLIT LOCK ZINC	F81056-2	2	

2.6 Blade Guide w/Extended Roller, Idle Side (524855)

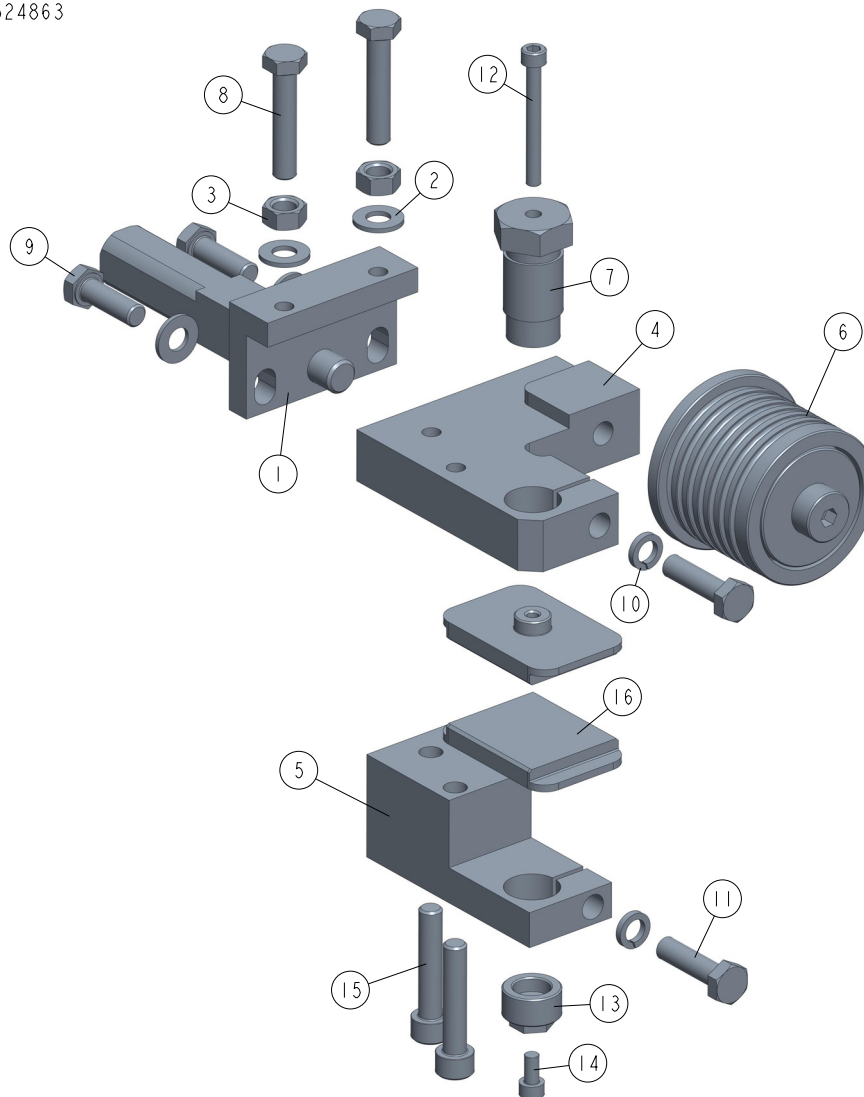
524855_001
524855_MANUAL



REF	DESCRIPTION (◆ indicates parts available in assemblies only)	PART #	QTY
-	BLADE GUIDE W/EXTENDED ROLLER, IDLE SIDE	524855	1
1	BRACKET WELDMENT, BLADE GUIDE ZINC-PLATE	089509-1	1
2	WASHER, 8.4 FLAT ZINC	F81054-1	4
3	NUT, M8 DIN 934 A2-70 STAINLESS STEEL	F81032-7	2
4	PLATE, BLADE GUIDE MOUNT - LEFT	524856-1	1
5	BLOCK, LOWER PAD SUPPORT LEFT	524857-1	1
6	SCREW, LOWER PAD ADJUSTER ZINC-PLATED	516191-1	1
7	BOLT, UPPER PAD ADJUSTMENT ZINC-PLATED	089515-1	1
8	ROLLER, BLADE GUIDE - EXTENDED W/BEARING See Section 2.8	522502	1
9	BOLT, M8X40 DIN933 A2-70 STAINLESS STEEL	F81002-28	2
10	SCREW, M8X40-8.8 HEX SOCKET HEAD CAP ZIN	F81002-29	2
11	SCREW, M5X45 DIN912 A2-70 HEX SOCKET HE	F81000-24	1
12	SCREW, M5X10 DIN912 A2-70 HEX SOCKET HE	F81000-23	1

REF	DESCRIPTION (◆ indicates parts available in assemblies only)	PART #	QTY	
13	WASHER 8,2 SPLIT LOCK ZINC	F81054-4	2	
14	BOLT, M8X45-8.8 HEX HEAD FULL THREAD ZIN	F81002-14	2	
15	BOLT, M8X25 DIN933 A2-70 STAINLESS STEEL	F81002-26	2	
16	BLOCK, NOZZLE HOUSING	524858-1	1	
17	SCREW, M8X20-8.8 HEX SOCKET HEAD CAP ZIN	F81002-30	2	
18	NOZZLE, BLADE LUBE SPRAY	033479	2	
19	ELBOW, 90 DEG 1/8MPT 1/4 TUBE SWIVEL	P09736	1	
-	PLATE, BLADE GUIDE ALIGNMENT - COMPLETE	090951	1	
20	PLATE, BLADE GUIDE ALIGNMENT ZINC-PLATED	090805-1	1	
21	SCREW, M5X16-8.8 HEX SOCKET HEAD CAP ZIN	F81000-25	1	
22	PAD, BLADE GUIDE (W/EXTENDED ROLLER)	524859-1	2	
23	PLUG, M10X1 DIN906 BN40 ZINC	F81015-3	2	

2.7 Blade Guide w/Extended Roller, Drive Side (524863)

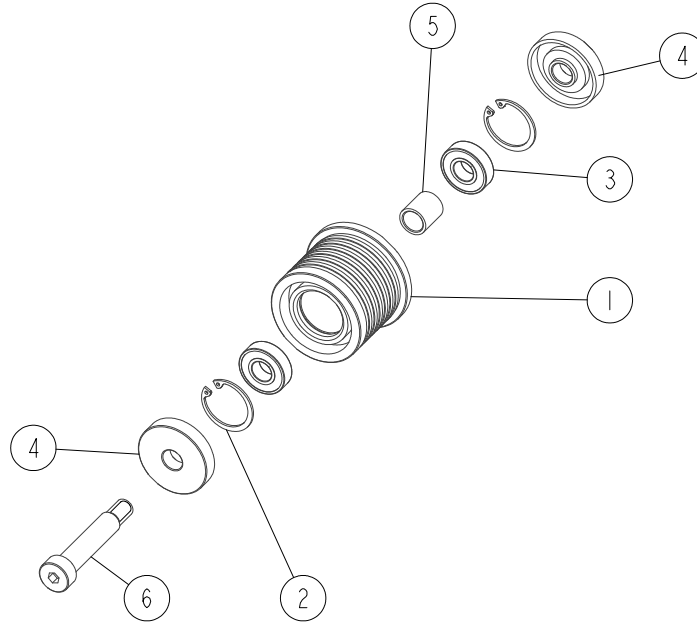
524863_001_A
524863

REF	DESCRIPTION (◆ indicates parts available in assemblies only)	PART #	QTY
-	BLADE GUIDE W/EXTENDED ROLLER, DRIVE SID	524863	1
1	BRACKET WELDMENT, BLADE GUIDE ZINC-PLATE	089509-1	1
2	WASHER, 8.4 FLAT ZINC	F81054-1	4
3	NUT, M8 DIN 934 A2-70 STAINLESS STEEL	F81032-7	2
4	PLATE, BLADE GUIDE MOUNT	524861-1	1
5	BLOCK, LOWER PAD SUPPORT	524862-1	1
6	ROLLER, BLADE GUIDE - EXTENDED W/BEARING See Section 2.8	522502	1
7	BOLT, UPPER PAD ADJUSTMENT ZINC-PLATED	089515-1	1
8	BOLT, M8X40 DIN933 A2-70 STAINLESS STEEL	F81002-28	2
9	BOLT, M8X25 DIN933 A2-70 STAINLESS STEEL	F81002-26	2
10	WASHER 8,2 SPLIT LOCK ZINC	F81054-4	2
11	BOLT, M8X30 DIN933 A2-70 STAINLESS STEEL	F81002-27	2
12	SCREW, M5X45 DIN912 A2-70 HEX SOCKET HE	F81000-24	1
13	SCREW, LOWER PAD ADJUSTER ZINC-PLATED	516191-1	1

REF	DESCRIPTION (◆ indicates parts available in assemblies only)	PART #	QTY	
14	SCREW, M5X10 DIN912 A2-70 HEX SOCKET HE	F81000-23	1	
15	SCREW, M8X40-8.8 HEX SOCKET HEAD CAP ZIN	F81002-29	2	
16	PAD, BLADE GUIDE (W/EXTENDED ROLLER)	524859-1	2	

2.8 Extended Blade Guide Roller w/Bearings - 522502

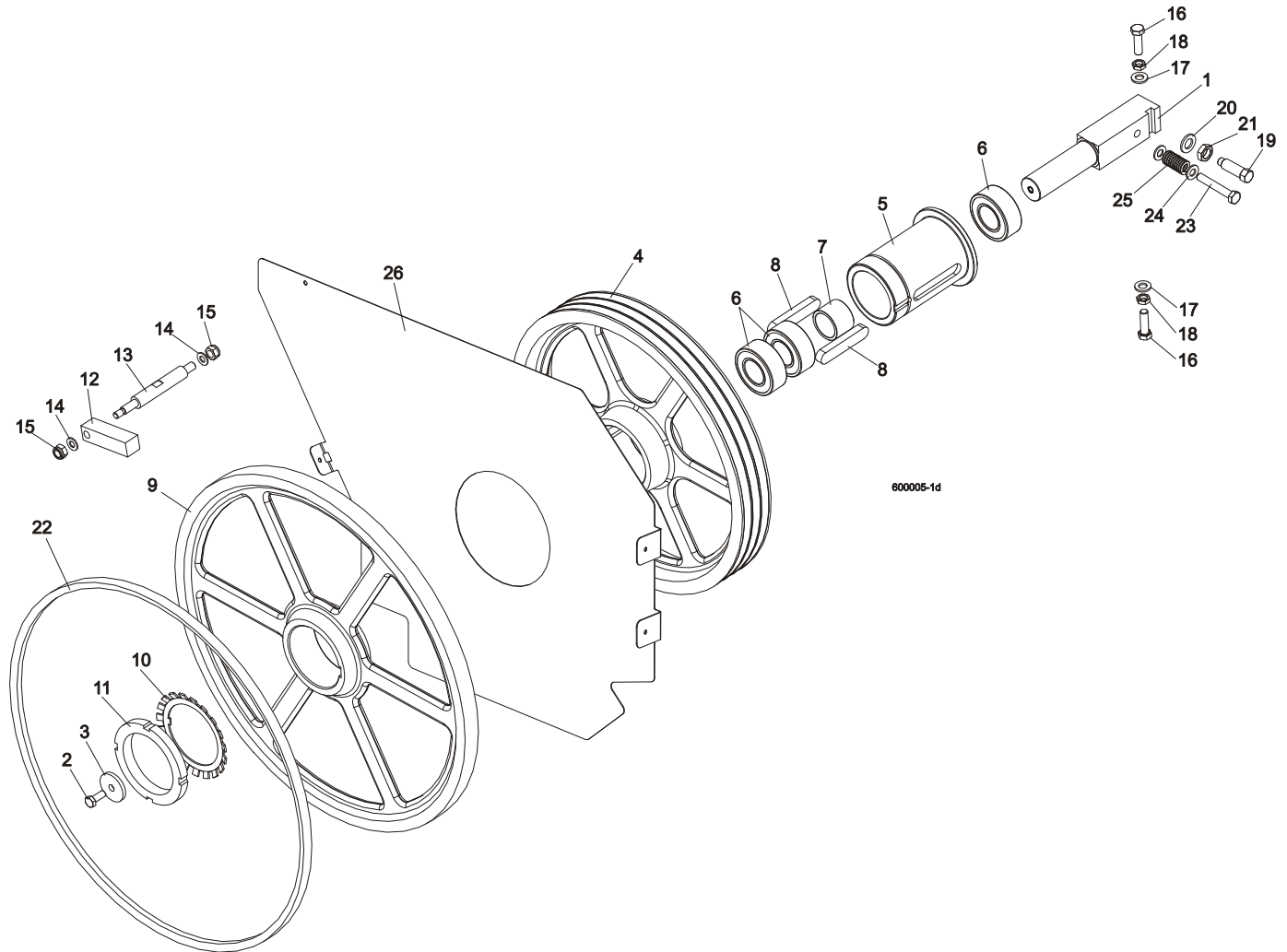
522502_001
522502_MANUAL



REF	DESCRIPTION (◆ indicates parts available in assemblies only)	PART #	QTY
-	ROLLER, BLADE GUIDE - EXTENDED W/BEARINGS	522502	1
1	ROLLER, BLADE GUIDE EXTENDED	522501	1
2	RING, W28 INSIDE RETAINING	F81090-9	2
3	BEARING, 6001 2RSR (FAG, SKF)	087893	2
4	RING, ZINC-PLATED SPACER	087891-1	2
5	BUSHING, 12/16-17	522504-1	1
6	BOLT, 12/M10X50 12.9 ISO7379 SHOULDER	F81003-122	1

SECTION 3 BLADE WHEELS & TENSIONER

3.1 Blade Drive Assembly

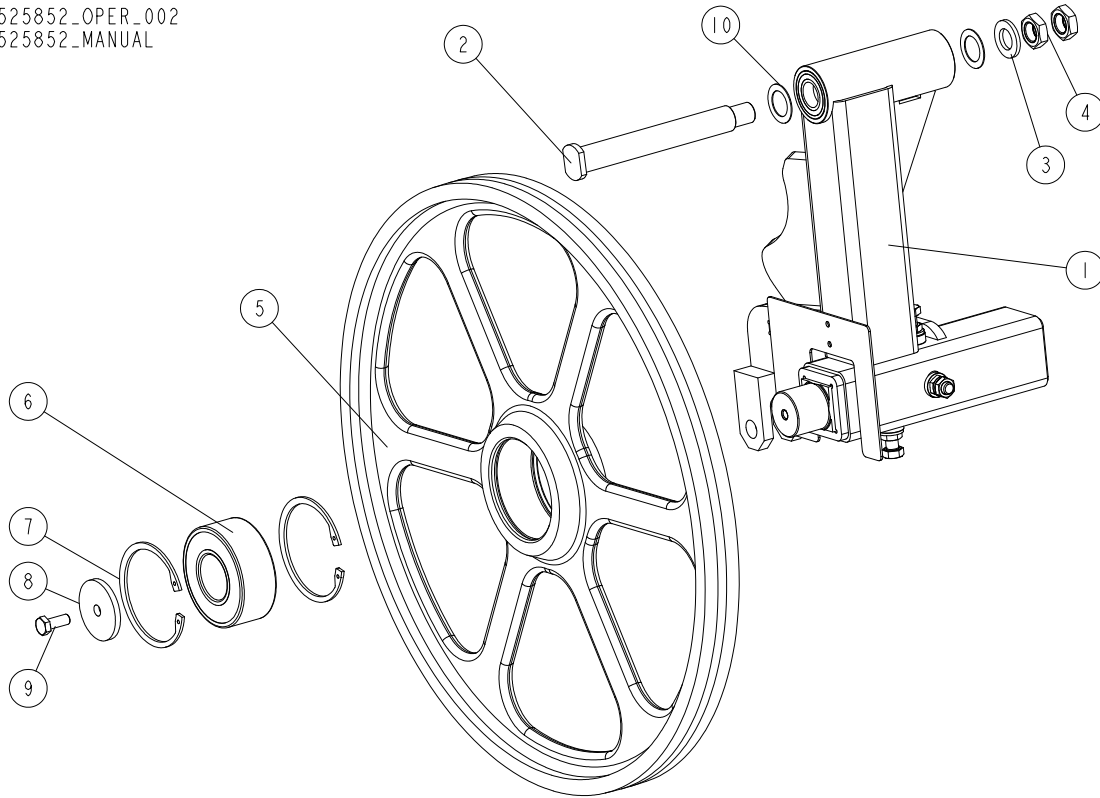


REF	DESCRIPTION (◆ indicates parts available in assemblies only)	PART #	QTY
1	SHAFT, BLADE DRIVE WHEEL	088475	1
2	BOLT, M10x25 8.8 HEX HEAD FULL THREAD	F81003-31	1
3	WASHER, BLADE DRIVE WHEEL	088956-1	1
	PULLEY ASSEMBLY, BLADE DRIVE	504808	1
4	Pulley, 3-Groove 484 mm Diameter	089457-1	1
5	Bushing, Blade Drive Wheel	504809	1
6	Bearing, 3208.2rsr.tvh (FAG) Rolling	088449	3
7	Spacer, 51x41x36.3 Drive Bearing	504810	1
8	Key, A20x12x100 Parallel	088477	2
9	WHEEL, BLADE DRIVE	090811	1
10	WASHER, MB21 (FAG) LOCK	088451	1
11	NUT, KM21(M105X2) (FAG) LOCK	088450	1
12	BAR, WHEEL SCRAPER	088781	1
13	SHAFT, WHEEL SCRAPER	088780-1	1

14	WASHER, 10.5 FLAT ZINC	F81055-1	2	
15	NUT, M12 8 HEX NYLON ZINC LOCK	F81034-2	2	
16	BOLT, M12X1.25X40-8.8 HEX HEAD FULL THRE	F81004-42	3	
17	WASHER, 13 FLAT ZINC	F81056-1	3	
18	NUT, M12X1.25-8 HEX THIN ZINC	F81034-5	3	
19	SCREW, M16X1.5X50-33H HEX HEAD FULL DOG POINT SET ZINC	F81006-14	1	
20	WASHER, 17 SPLIT LOCK ZINC	F81058-1	1	
21	NUT, M16x1.5-08-B ZINC THIN	F81036-6	1	
22	BELT, B72.5 BLADE WHEEL	017922-1	1	
23	BOLT, M10X65-8.8-B HEX HEAD ZINC	F81003-67	1	
24	WASHER, 10.5 FLAT ZINC	F81055-1	2	
25	SPRING, 3/4 O.D.X 1 1/2 DIE	034430	1	
26	PLATE, LT70AC SAW HEAD (OPTION)	100897-1	1	
	BELT, 3B/HB2462 La	089464	1	

3.2 Idle-Side Blade Wheel Assembly

525852_OPER_002
525852_MANUAL



REF	DESCRIPTION (◆ indicates parts available in assemblies only)	PART #	QTY
1	ARM, IDLE SIDE WHEEL ROCKER W/LEVER - COMPLETE See Section 3.5	520539 ¹	1
1	ARM, IDLE SIDE WHEEL ROCKER W/LEVER - COMPLETE See Section 3.5	533944 ²	1
2	PIN WELDMENT, PIVOT	535310	1
3	WASHER, 21 FLAT ZINC	F81059-2	1
4	NUT, M20 ISO 4035 THIN ZINC	F81037-9	2
-	WHEEL, IDLE SIDE - COMPLETE	088764	1
5	WHEEL, IDLE SIDE BLADE	535356-1 ³	1
	WHEEL, IDLE SIDE BLADE	090810 ⁴	1
6	BEARING, 3309B.2RSR.TVH FAG	086428	1
7	RING, W100 INSIDE RETAINING	F81090-10	2
8	WASHER, IDLE BLADE WHEEL RETAINING	088957-1	1
9	BOLT, M10X25 8.8 HEX HEAD FULL THREAD	F81003-31	1
10	WASHER, SPACER ZINC-PLATED	503164-1	2
	BELT, B72.5 BLADE WHEEL	017922-1	1

¹ Wide sawheads - 525853, 523792: rocker 520539, idle wheel 088764 with 017922-1 belt.

Wide sawheads with 2" blade - 525853, 523792: rocker 520539, idle wide wheel 535355 without belt.

² Standard sawheads - 088770, 088771: rocker 533944, idle wheel 088764 with 017922-1 belt.

Standard sawheads with 2" blade - 525850, 525851 : rocker 533944, idle wide wheel 535355 without belt.

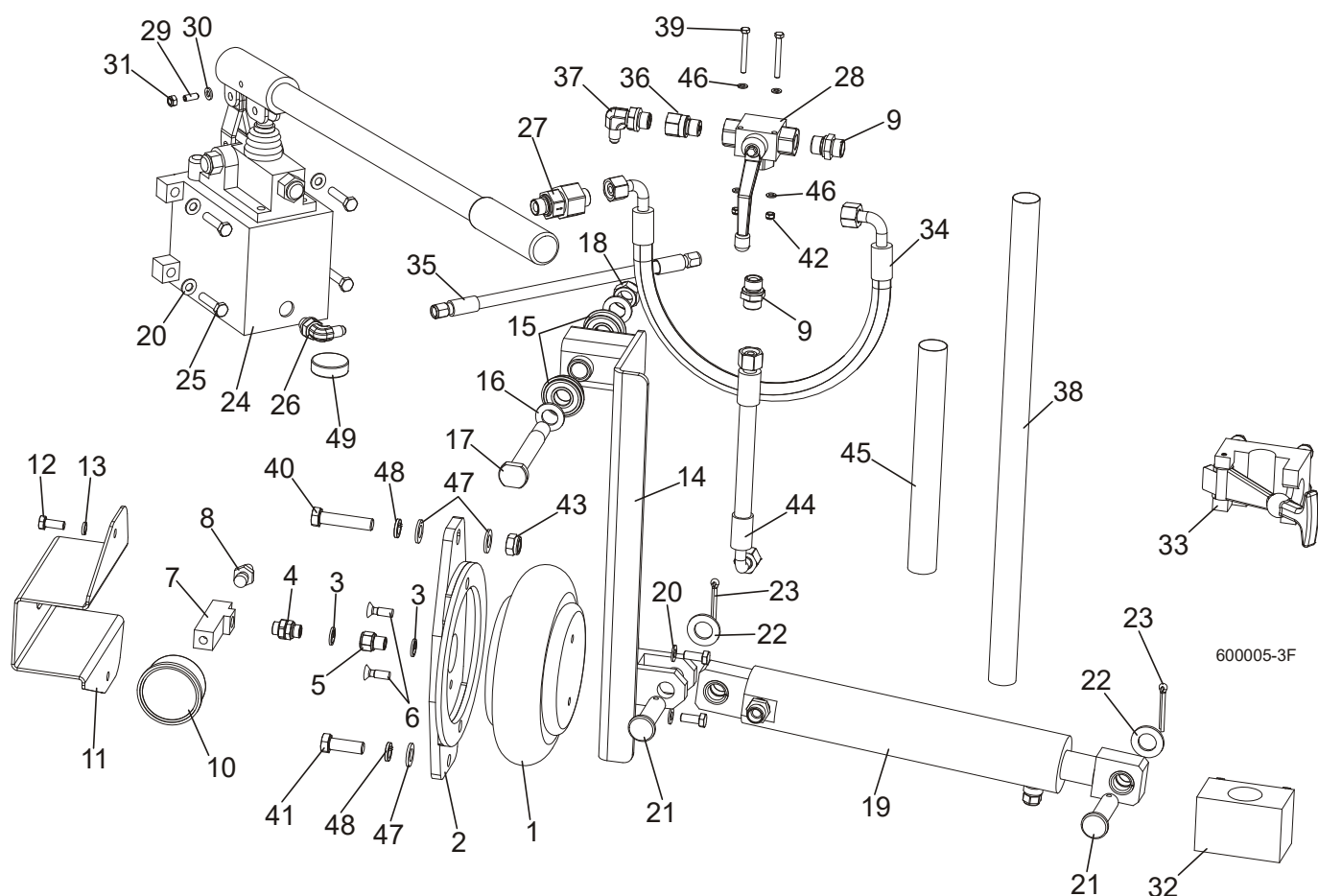
³ Included in 535355.

⁴ Included in 088764.

3 Blade Wheels & Tensioner

Hydraulic Blade Tensioner Assembly

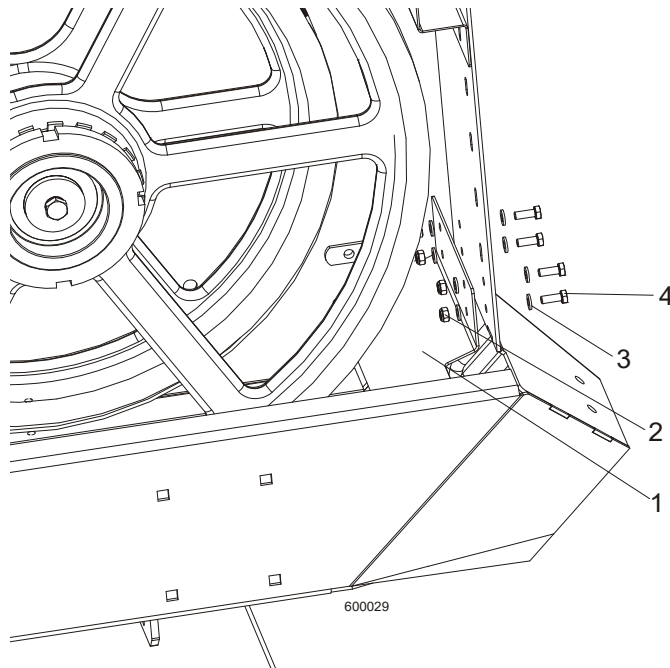
3.3 Hydraulic Blade Tensioner Assembly



REF	DESCRIPTION (◆ indicates parts available in assemblies only)	PART #	QTY
	COMPLETE HYDRAULIC BLADE TENSIONER	504801	1
1	BAG, POJ 192 308 100 0 AIR	088576	1
2	BRACKET, AIR BAG MOUNT	088798-1	1
3	SEAL, G1/4 866-014-000-0	090809	4
4	NIPPLE, 1/4 8632141400)BOSCH	097703	1
5	FITTING, 1/4 THREAD/1/4 THREAD 2521	097704	1
6	BOLT, M8X25 PAN HEAD ZINC	F81002-51	2
7	TEE CONNECTOR, SPECIAL	097702-1	1
8	FITTING, 1/4" THREAD 390 004 004 0 (REXROTH) AIR TANK VALVE	088575	1
9	FITTING, HD-GE-12L-BE-06 STRAIGHT	094561	2
10	GAUGE, M63T-2,5/20G G 1/8 0-0.6 MPA/PSI AIR PRESSURE	088568	1
11	GUARD, AIR PRESSURE GAUGE	088924-1	1
12	BOLT, M8X20 8.8 HEX HEAD FULL THREAD ZIN	F81002-4	4
13	WASHER 8,2 SPLIT LOCK ZINC	F81054-4	2
14	ARM, AIR CYLINDER	092779-1	1
15	BEARING W/SNAP RING 6203-2RS	086395	2
16	WASHER, 17 SPLIT LOCK ZINC	F81058-1	2
17	PIN, IDLER ARM MOUNT	086404	1

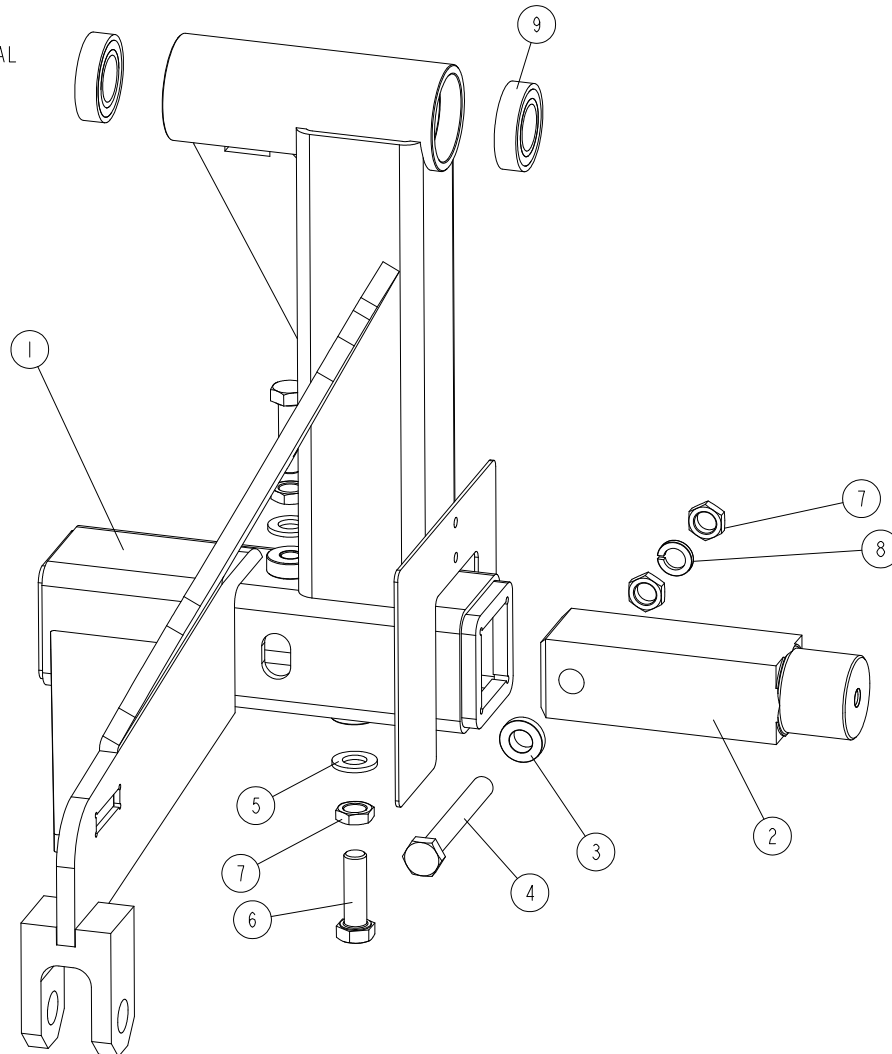
18	NUT, M16-8 HEX NYLON ZINC LOCK	F81036-2	2	
19	CYLINDER, HYDRAULIC - COMPLETE	092788	1	
	CYLINDER, SHDJ050/030X80 HYDRAULIC	092787-1	1	
	BUSHING, TUF1 18x120 CX	500106	4	
	FITTING, HD-GE-12L-BE-06 STRAIGHT	094561	1	
	VALVE, 2901-14-17 AIR VENT	090794	1	
20	WASHER, 8.4 FLAT ZINC	F81054-1	6	
21	PIN, PN-EN 22341-B-18X65X57-A2	F81049-4	2	
22	WASHER, 19 FLAT ZINC	F81060-1	2	
23	PIN, S-FE 5X40 COTTER	F81043-31	2	
24	PUMP, PMS12/TNK1 MANUAL W/TANK 1L	092789	1	
	PROTECTIVE BELLOWS	083829	1	
	HANDLE, PMS12	083728	1	
25	BOLT, M8X35-8.8 HEX HEAD FULL THREAD ZIN	F81002-13	4	
26	ELBOW, CA-204410-3	094562	1	
27	VALVE, RHV12LREDA3C CHECK	094559	1	
28	VALVE, BALL 3-WAY GE5L G3/8"	504803	1	
29	LATCH, GN615.3-M6-KN BALL THREADED	096874	1	
30	WASHER, 6.4 FLAT ZINC	F81053-1	1	
31	NUT, M6-8-B HEX NYLON ZINC LOCK	F81031-2	1	
32	BRACKET, TENSIONER PUMP HANDLE BOTTOM	096951	1	
33	BRACKET, TENSIONER PUMP HANDLE UPPER	092800	1	
34	HOSE, DN10 W/FITTING 10AOL 90 M18X1.5	504804	1	
35	HOSE, 1/4 W/FITTING JIC 7/16-20	504805	1	
36	FITTING, G 3/8 THROTTLE	096849	1	
37	ELBOW, CA-204411-3	094563	1	
38	HOSE PROTECTION	505178	1	
39	BOLT, M5X45 DIN933 A2-70 STAINLESS STEEL	F81000-22	2	
40	BOLT, M12X55-8.8 HEX HEAD ZINC	F81004-12	1	
41	BOLT, M12 X 35-8.8-FE/ZN5 HEX HEAD FULL	F81004-24	1	
42	NUT, M5-8 DIN985 ZINC-PLATED	F81030-2	2	
43	NUT, M12 8 HEX NYLON ZINC LOCK	F81034-2	1	
44	HOSE, DN12 W/FITTINGS PN10AOL90 I PN10AOL M1.5	096964	1	
45	HOSE PROTECTION	098489	1	
46	WASHER, 5.3 FLAT ZINC	F81052-1	4	
47	WASHER, 13 FLAT ZINC	F81056-1	3	
48	WASHER, Z12.2 SPLIT LOCK ZINC	F81056-2	2	
49	MAGNET, MW.38X12/N38 NEODYMIUM	500022	1	

3.4 Sawdust Flow Guide



REF	DESCRIPTION (◆ indicates parts available in assemblies only)	PART #	QTY
1	GUIDE, SAWDUST FLOW PAINTED	090506	1
2	NUT, M6-8-B HEX NYLON ZINC LOCK	F81031-2	4
3	WASHER, 6.4 FLAT ZINC	F81053-1	8
4	BOLT M6X16 HH ZC FT 8.8 DIN 933	F81001-15	4

3.5 Idle Side Wheel Arm Rocker W/Lever (520539_533944)

520539_001
520539_MANUAL

REF	DESCRIPTION (◆ indicates parts available in assemblies only)	PART #	QTY	
-	ARM, IDLE SIDE WHEEL ROCKER W/LEVER - COMPLETE	520539	1	
-	ARM, IDLE SIDE WHEEL ROCKER W/LEVER - COMPLETE	533944	1	
1	ARM, IDLE SIDE WHEEL ROCKER W/LEVER	520540-1 ¹	1	
	ARM, IDLE SIDE WHEEL ROCKER W/LEVER	533943-1 ²	1	
2	SHAFT, IDLE SIDE BLADE WHEEL	088474	1	
3	WASHER, ZINC-PLATED SPECIAL	086769-1	2	
4	BOLT, M12X1.25X100-8.8 HEX HEAD FULL THREAD ZINC	F81004-41	1	
5	WASHER, 13 FLAT ZINC	F81056-1	2	
6	BOLT, M12X1.25X40-8.8 HEX HEAD FULL THREAD ZINC	F81004-42	2	
7	NUT, M12X1.25-8 HEX THIN ZINC	F81034-5	4	
8	WASHER, Z12.2 SPLIT LOCK ZINC	F81056-2	1	
9	BEARING, 6005 2RS PN-85/M-86100	089652	2	

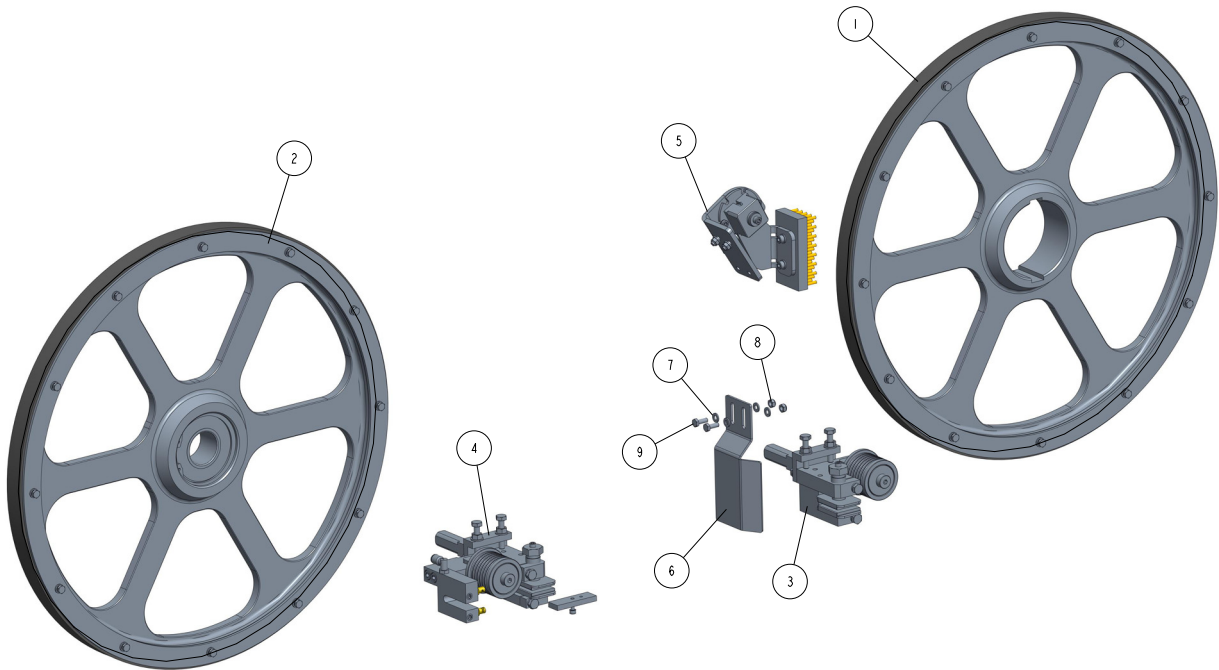
¹ Included in 520539² Included in 533944



Blade Wheels & Tensioner

Idle Side Wheel Arm Rocker W/Lever (520539_533944)

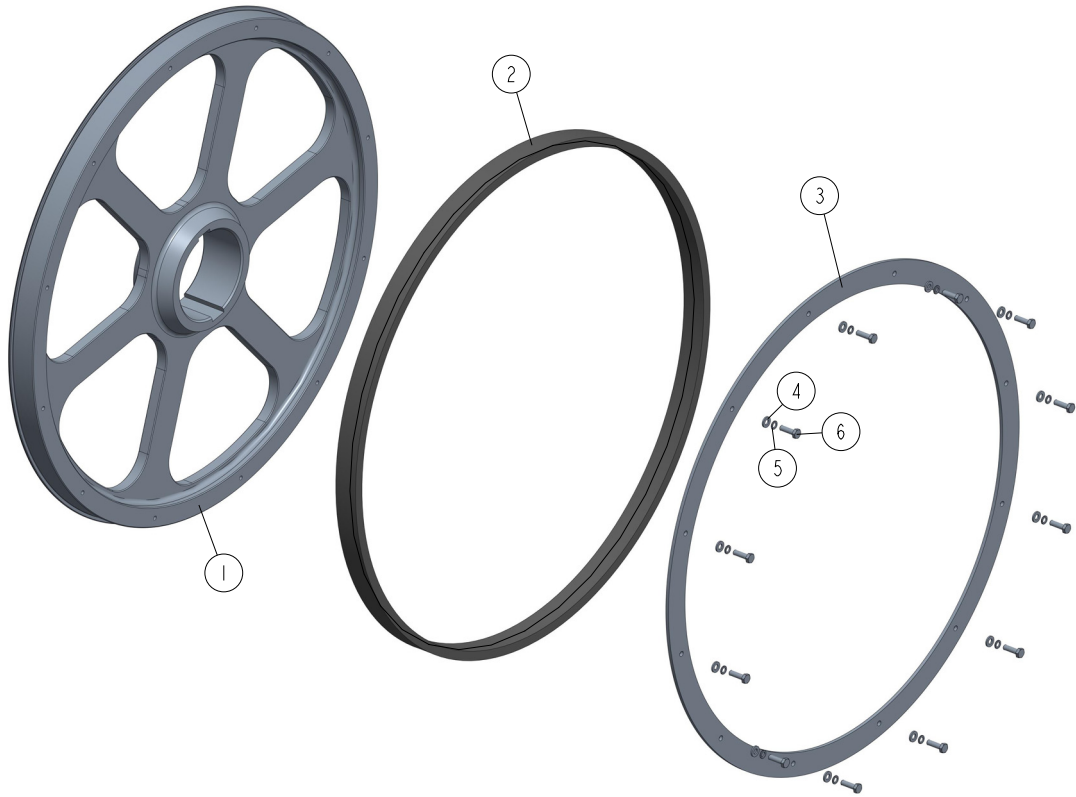
3.6 Blade Drive Wheels And Rollers Assembly, 2" Blade (586000)

586000_001_A
586000

REF	DESCRIPTION (◆ indicates parts available in assemblies only)	PART #	QTY
-	BLADE DRIVE WHEELS AND ROLLERS ASSEMBLY, 2" BLADE	586000	1
1	ASSY., BLADE WHEEL (2" BLADE) See Section 3.7	582126	1
2	BLADE WHEEL, 2" IDLE SIDE - COMPLETE See Section 3.8	582125	1
3	BLADE GUIDE W/EXTENDED ROLLER, DRIVE SID See Section 2.7	524863	1
4	BLADE GUIDE W/EXTENDED ROLLER, IDLE SIDE See Section 2.6	524855	1
5	BLADE WHEEL WIPER & SCRAPER ASSEMBLY See Section 3.9	586150	1
6	GUARD, BLADE GUIDE ROLLER	586134-1	1
7	WASHER, 6.4 FLAT ZINC	F81053-1	4
8	NUT, M6-8-B HEX NYLON ZINC LOCK	F81031-2	2
9	BOLT M6X16 HH ZC FT 8.8 DIN 933	F81001-15	2

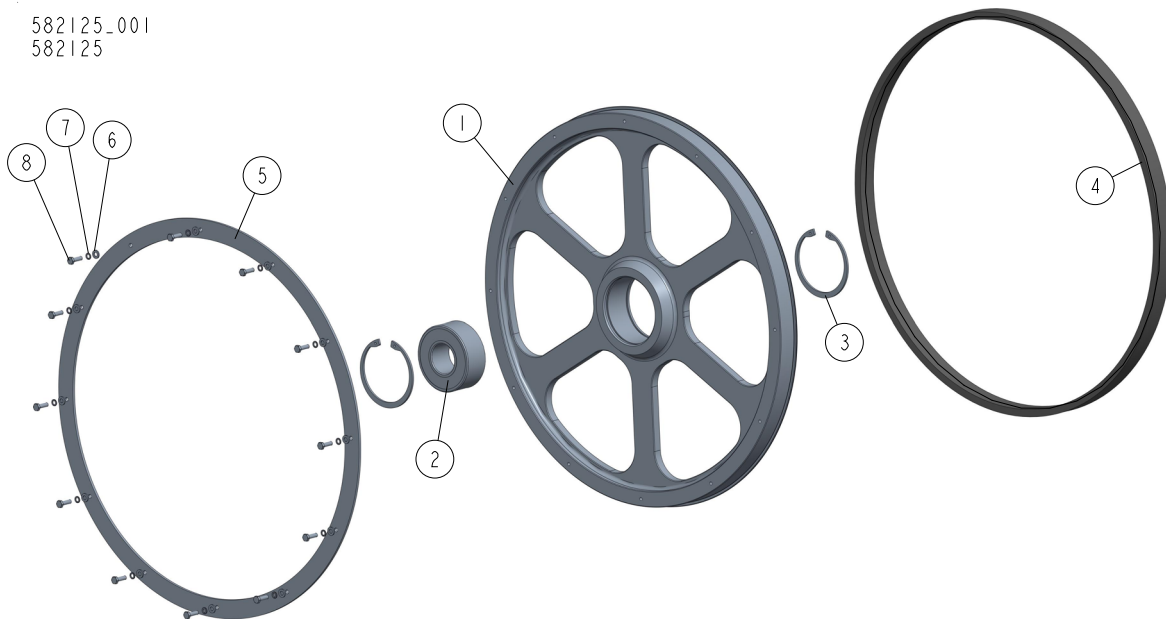
3.7 2" Blade Drive Wheel (582126)

582126-001
582126



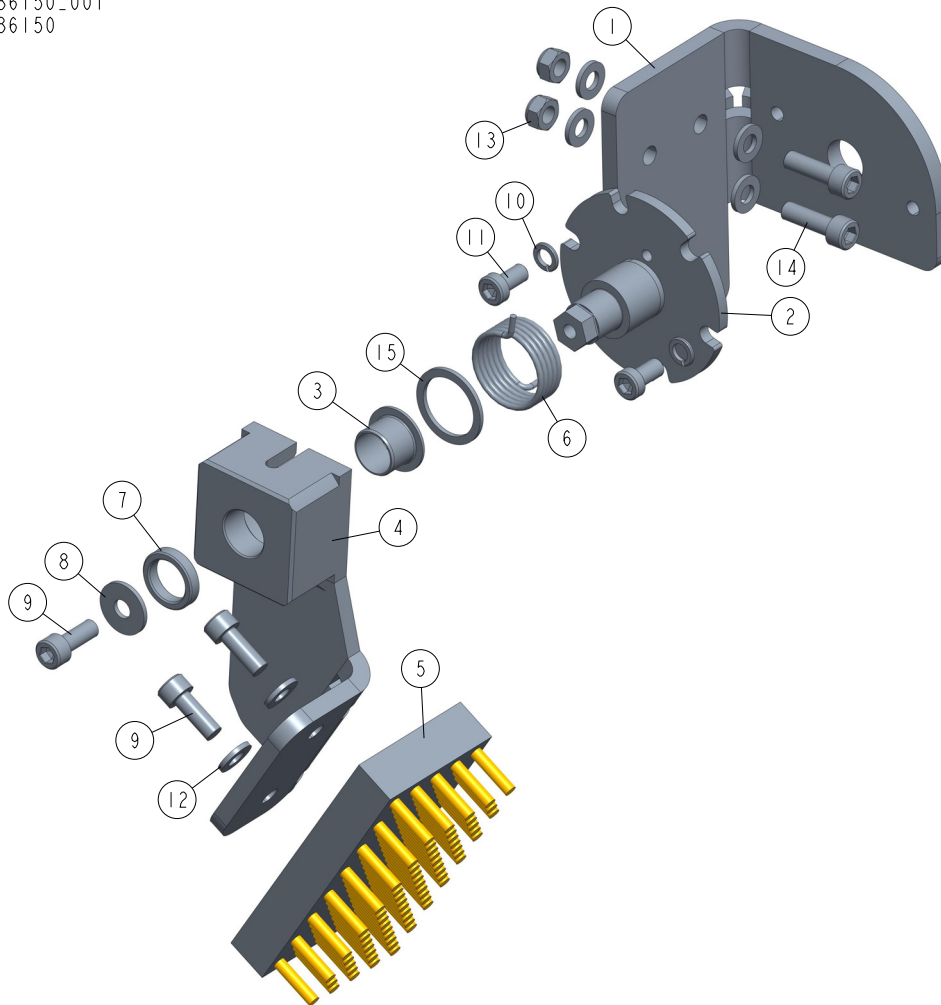
REF	DESCRIPTION (◆ indicates parts available in assemblies only)	PART #	QTY	
-	ASSY., BLADE WHEEL (2" BLADE)	582126	1	
1	BLADE WHEEL	578644-1	1	
2	V-BELT, 1 1/8" LENGTH 72.5	547257	1	
3	FLANGE	582131-1	1	
4	WASHER, 6.4 FLAT ZINC	F81053-1	12	
5	WASHER, Z 6.1 SPLIT LOCK	F81053-3	12	
6	BOLT, M6X20 8.8 HEX HEAD FULL THREAD ZIN	F81001-2	12	

3.8 Idle Side 2" Blade Wheel (582125)

582125_001
582125

REF	DESCRIPTION (◆ indicates parts available in assemblies only)	PART #	QTY	
-	BLADE WHEEL, 2" IDLE SIDE - COMPLETE	582125	1	
1	BLADE WHEEL, IDLE SIDE	578645-1	1	
2	BEARING, 3309B.2RSR.TVH FAG	086428	1	
3	RING, W100 INSIDE RETAINING	F81090-10	2	
4	V-BELT, 1 1/8" LENGTH 72.5	547257	1	
5	FLANGE	582131-1	1	
6	WASHER, 6.4 FLAT ZINC	F81053-1	12	
7	WASHER, Z 6.1 SPLIT LOCK	F81053-3	12	
8	BOLT, M6X20 8.8 HEX HEAD FULL THREAD ZIN	F81001-2	12	

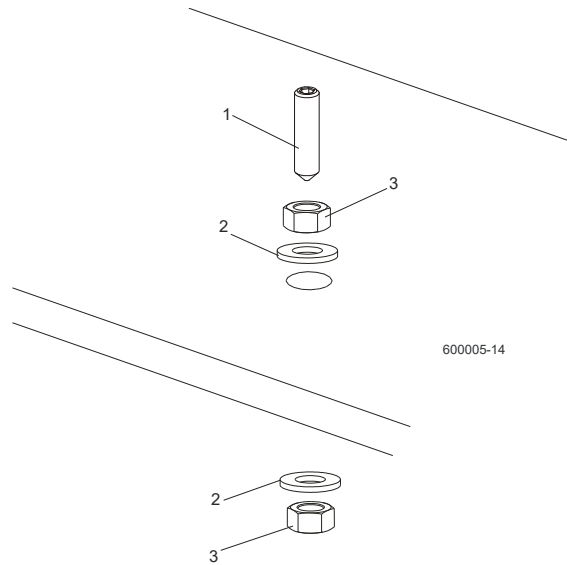
3.9 Drive Blade Wheel Wiper & Scraper Assembly (586150)

586150_001
586150

REF	DESCRIPTION (◆ indicates parts available in assemblies only)	PART #	QTY	
-	BLADE WHEEL WIPER & SCRAPER ASSEMBLY	586150	1	
1	BRACKET, BLADE WHEEL WIPER & SCRAPER	586149-1	1	
2	SHAFT WELDMENT, SWEEPER	586124-1	1	
3	BUSHING, IGUS: JFM_1416_12_1	569013	1	
4	BRACKET, BRUSH, LATH	586151-1	1	
5	BRUSH, LATH	586126	1	
6	SPRING, EXTENSION	586127-1	1	
7	BUSHING, SPACER	570020-1	1	
8	WASHER, 6.5 SPECIAL FLAT ZINC	F81053-11	1	
9	SCREW, M6X16 8.8 HEX SOCKET HEAD CAP ZIN	F81001-21	3	
10	WASHER, Z 6.1 SPLIT LOCK	F81053-3	2	
11	SCREW, M6X12-10.9 DIN 7984 HEX SOCKET TH	F81001-80	2	
12	WASHER, 6.4 FLAT ZINC	F81053-1	6	
13	NUT, M6-8-B HEX NYLON ZINC LOCK	F81031-2	2	
14	SCREW, M6X20 8.8 HEX SOCKET HEAD CAP ZIN	F81001-22	2	
15	WASHER, 20.5X26X1.5 ZINC-PLATED	524526	1	

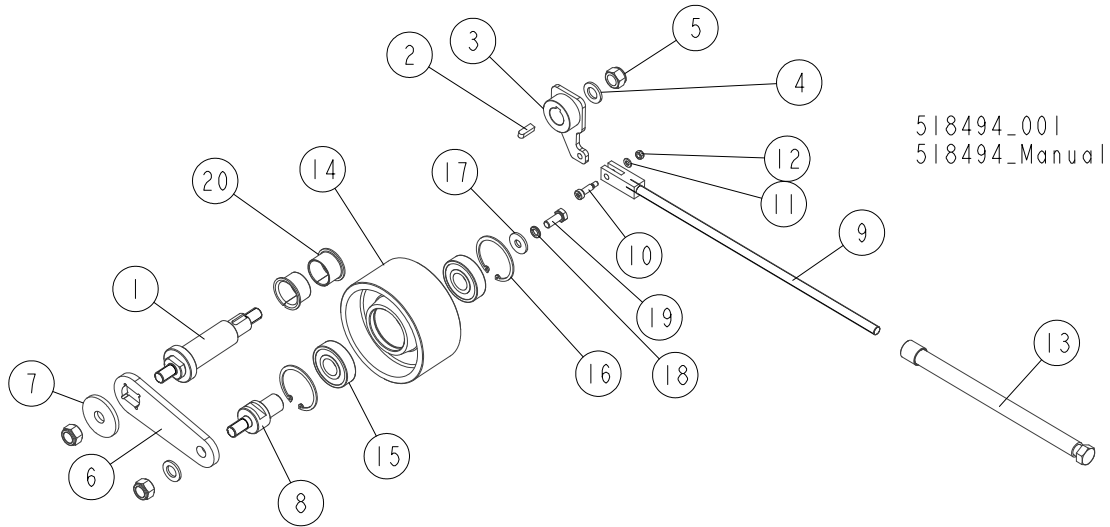
SECTION 4 SAW HEAD

4.1 Middle Throat Screw



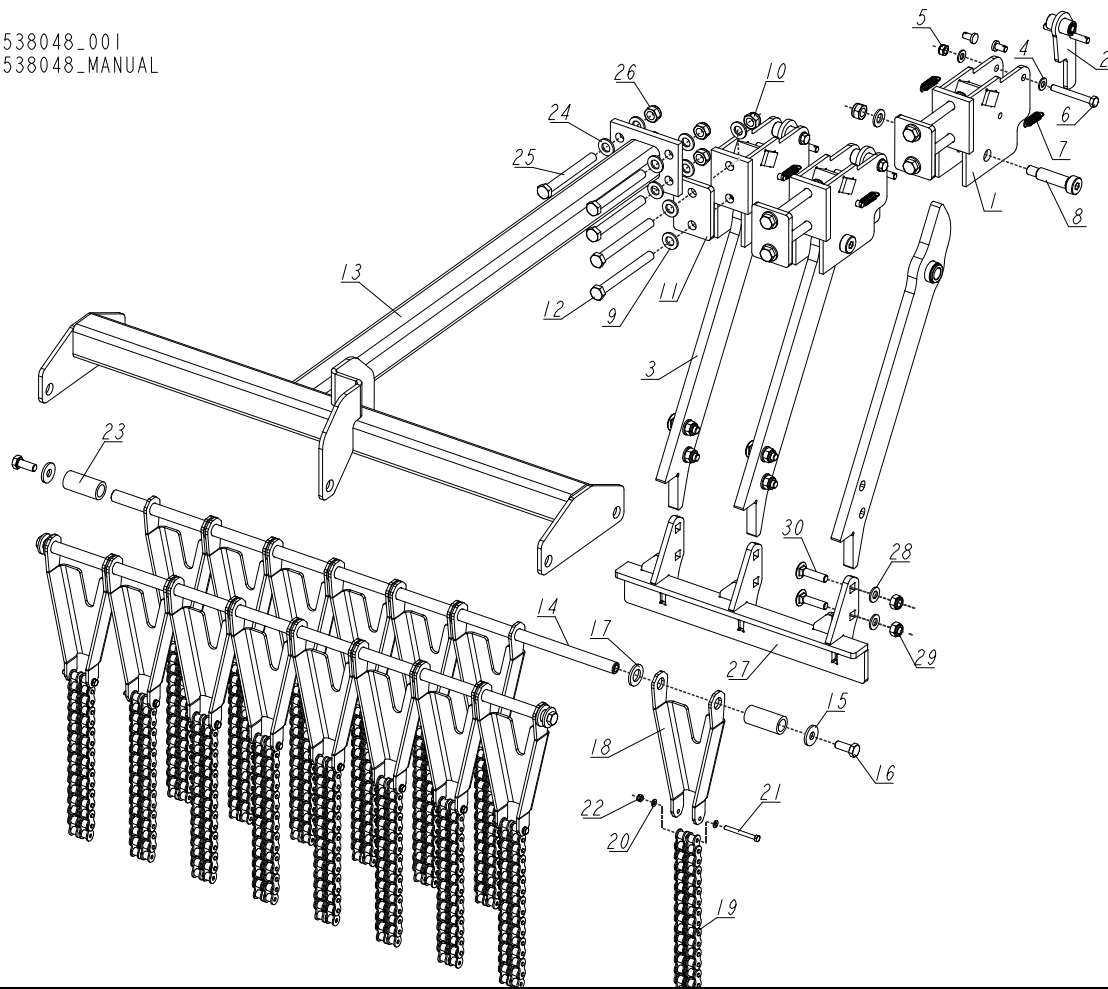
REF	DESCRIPTION (◆ indicates parts available in assemblies only)	PART #	QTY	
1	SCREW, M10X40-45H HEX SOCKET SET CONE POINT ZINC	F81003-61	1	
2	WASHER, 10.5 FLAT ZINC	F81055-1	2	
3	NUT, M10-8-B-HEX ZINC	F81033-3	2	

4.2 Drive Belt Tensioner (DC)



REF.	DESCRIPTION (◆ Indicates Parts Available In Assemblies Only)	PART #	QTY
	TENSIONER, LT70 DC DRIVE BELT - COMPLETE	518494	1
1	SHAFT, BLADE TENSIONER ZINC-PLATED	518495-1	1
2	KEY, AB 8X7X25 PARALLEL	099848	1
3	ARM WELDMENT, BELT TENSIONER	518496-1	1
4	WASHER, 17 SPLIT LOCK ZINC	F81058-1	2
5	NUT, M16-8 HEX NYLON ZINC LOCK	F81036-2	3
6	ARM, TENSION WHEEL ZINC-PLATED	518051-1	1
7	WASHER, 17.5/60-6 ZINC-PLATED	098012-1	1
8	SHAFT, BELT TENSION WHEEL ZINC-PLATED	518052-1	1
9	ROD WELDMENT, THREADED ZINC-PLATED	088789-1	1
10	BOLT, 8/M6X20-12.9 ISO 7379 SHOULDER	F81001-25	1
11	WASHER, 6.4 FLAT ZINC	F81053-1	1
12	NUT, M6-8-B HEX NYLON ZINC LOCK	F81031-2	1
13	TUBE WELDMENT, THREADED ZINC-PLATED	088782-1	1
	WHEEL, LT70DC BELT TENSION - COMPLETE	514843	1
14	WHEEL, BELT TENSION	509882	1
15	BEARING, .9843X2.4409X.6693	P08066	2
16	RING, 62W INSIDE RETAINING	F81090-1	2
17	WASHER, 11/30-3 ZINC-PLATED	088787-1	1
18	WASHER, Z 10.2 SPLIT LOCK ZINC	F81055-2	1
19	BOLT, M10X25 8.8 HEX HEAD FULL THREAD ZINC	F81003-11	1
20	BEARING, PCMF 353926E SLIDE (SKF)	518043	2

4.3 Board Return Assembly (Optional)

538048_001
538048_MANUAL

REF	DESCRIPTION (◆ indicates parts available in assemblies only)	PART #	QTY
-	BOARD RETURN ASSEMBLY	538048	1
-	ARM, BOARD RETURN - COMPLETE	538049	3
1	MOUNT WELDMENT, BOARD RETURN ARM	090109-1	1
2	LATCH WELDMENT, BOARD RETURN ARM	090118-1	1
3	ARM WELDMENT, BOARD RETURN	538100-1	1
4	WASHER, 8.4 FLAT ZINC	F81054-1	2
5	NUT, M8-8-B HEX NYLON ZINC LOCK	F81032-2	1
6	BOLT, M8X65 5.8 HEX HEAD ZINC	F81002-3	1
7	SPRING, 1.6X12X38 EXTENSION	092208	2
8	BOLT, N16/M12X50 12.9 ISO 7379 "BOSSARD"	F81004-25	1
9	WASHER, 13 FLAT ZINC	F81056-1	5
10	NUT, M12 8 HEX NYLON ZINC LOCK	F81034-2	3
11	WASHER, SPECIAL	092756-1	1
12	BOLT, M12X120-8.8 HEX HEAD ZINC	F81004-38	2
-	GUIDE, BOARD RETURN	538033	1
13	GUIDE WELDMENT, BOARD RETURN	538034-1	1
14	ROD, BOARD RETURN GUIDE	539459-1	2
15	WASHER, 10.5 SPECIAL FLAT ZINC	F81055-6	4
16	BOLT, M10X25 8.8 HEX HEAD FULL THREAD	F81003-31	4
17	WASHER, 17 SPLIT LOCK ZINC	F81058-1	15

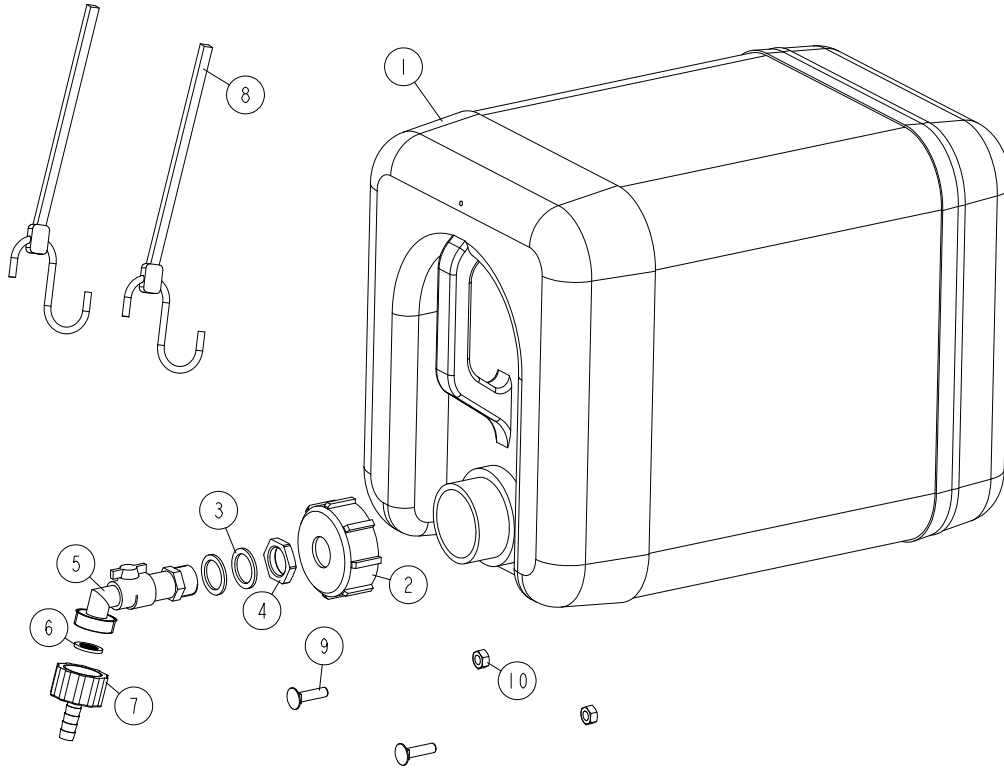
4

SAW HEAD*Board Return Assembly (Optional)*

REF	DESCRIPTION (◆ indicates parts available in assemblies only)	PART #	QTY	
-	CHAIN ASSEMBLY	538032	15	
18	BRACKET, CHAIN	538031-1	1	
19	CHAIN, 10B-2 15-LINK	538014	1	
20	WASHER, 5.3 FLAT ZINC	F81052-1	2	
21	BOLT, M5X50-8.8 HEX HEAD ZINC	F81000-1	1	
22	NUT, M5-8 DIN985 ZINC-PLATED	F81030-2	1	
23	BUSHING, 17/25-53	538043-1	2	
24	WASHER, 13 FLAT ZINC	F81056-1	8	
25	BOLT, M12X110-8.8-B HEX HEAD ZINC	F81004-47	4	
26	NUT, M12 8 HEX NYLON ZINC LOCK	F81034-2	4	
-	ANGLE, BOARD PUSH-OFF - COMPLETE	538052	1	
27	ANGLE, BOARD PUSH-OFF	538046-1	1	
28	WASHER, 10.5 FLAT ZINC	F81055-1	6	
29	NUT, M10-8-B HEX NYLON ZINC LOCK	F81033-1	6	
30	BOLT, M10X40-8.8 CARRIAGE ZINC	F81003-40	6	

4.4 Water Lube Assembly

550787_001_MANUAL
550787_MANUAL



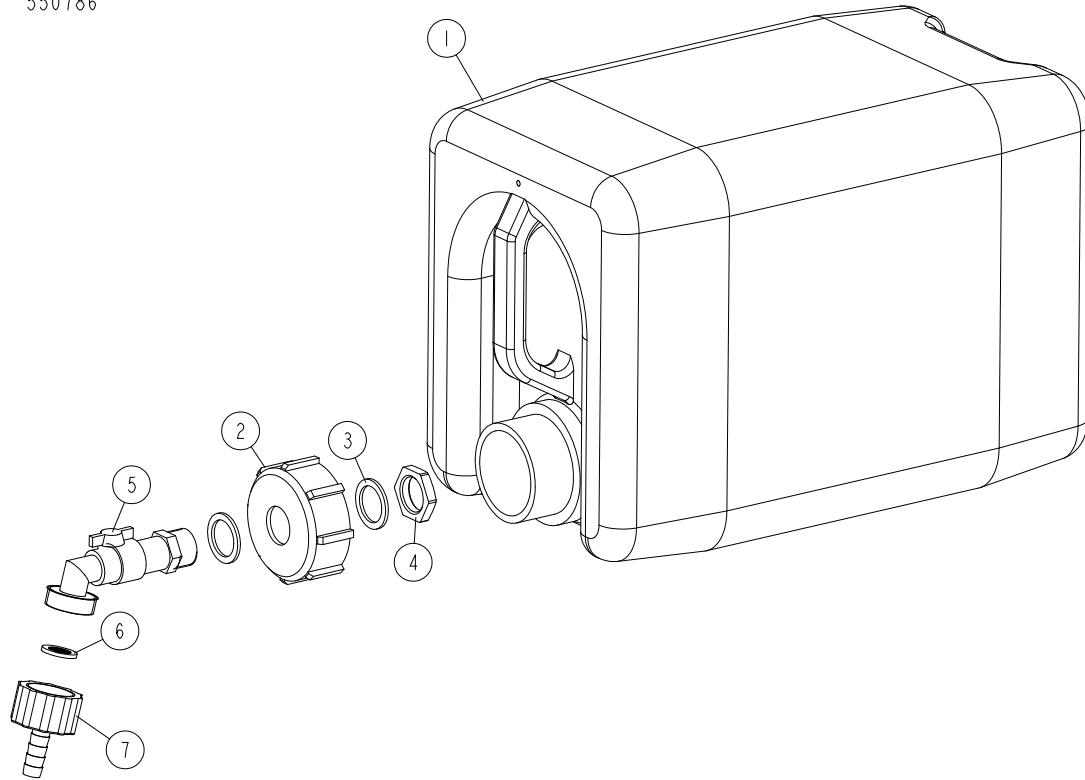
REF	DESCRIPTION (◆ indicates parts available in assemblies only)	PART #	QTY	
-	TANK, OIL	550787	1	
1	BOTTLE, WATER	513866	1	
2	NUT, BOTTLE	550785	1	
3	SEAL, 27X20X1.5 ESSENTA 467673 RUBBER	550780	2	
4	NUT, 1/2 ESSENTA 467615 GLAND	550779	1	
5	FITTING, WATER LUBE SHUTOFF VALVE	550776	1	
6	FILTER, WATER LUBE	550778	1	
7	FITTING, G3/4" X 10MM HOSE BARB	550777	1	
8	STRAP, 20" RUBBER W/HOOK	P11668	2	
9	BOLT, 1/4-20 X 1" CARRIAGE HEAD	F05005-34	2	
10	NUT, 1/4-20 LOCK	F05010-21	2	

4 SAW HEAD

Oil Tank

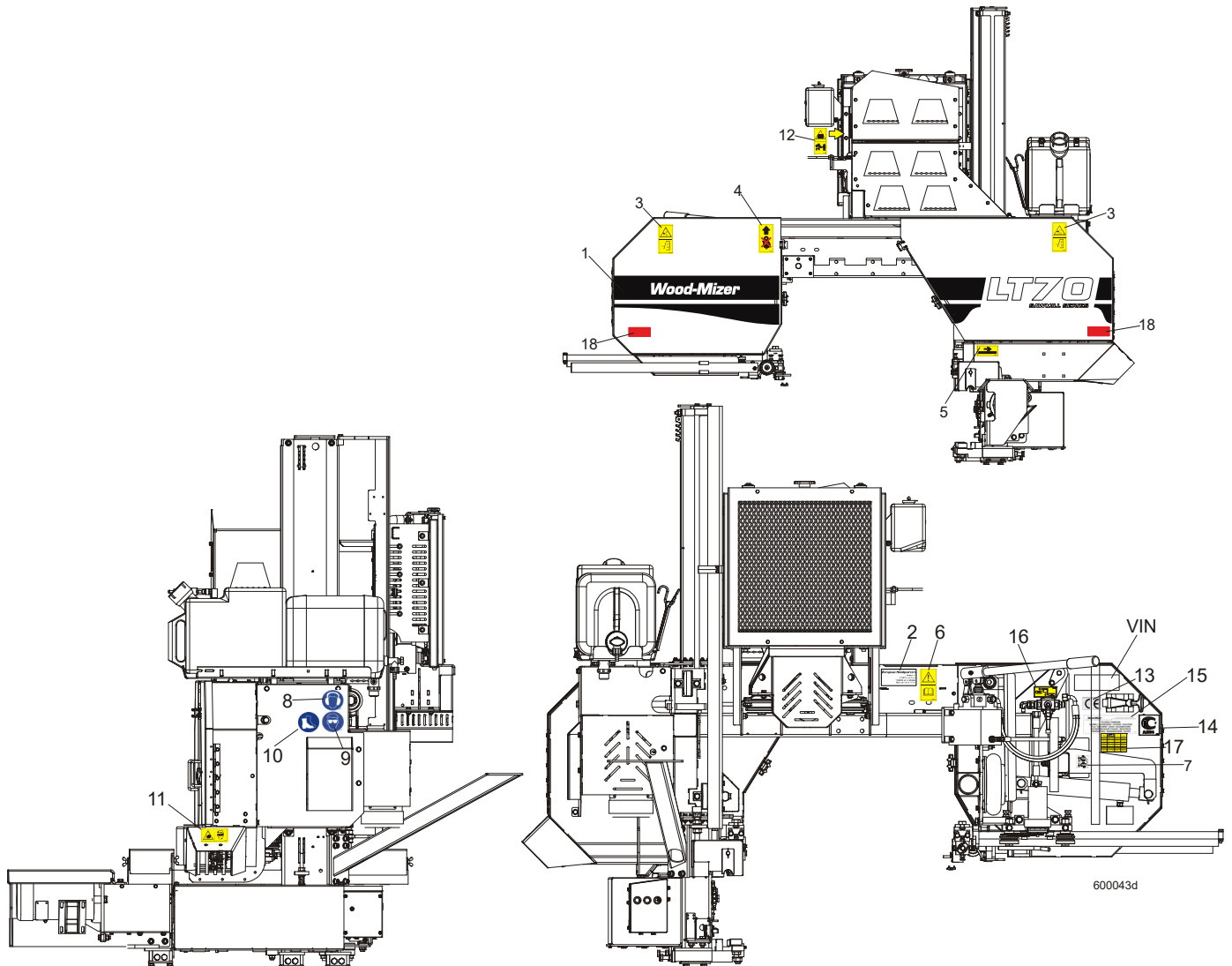
4.5 Oil Tank

550786_001
550786



REF	DESCRIPTION (◆ indicates parts available in assemblies only)	PART #	QTY	
-	TANK, OIL	550786	1	
1	TANK, 10L OIL	711400	1	
2	NUT, BOTTLE	550785	1	
3	SEAL, 27X20X1.5 ESSENTRA 467673 RUBBER	550780	2	
4	NUT, 1/2 ESSENTRA 467615 GLAND	550779	1	
5	FITTING, WATER LUBE SHUTOFF VALVE	550776	1	
6	FILTER, WATER LUBE	550778	1	
7	FITTING, G3/4" X 10MM HOSE BARB	550777	1	

4.6 LT70DC Saw Head Decals



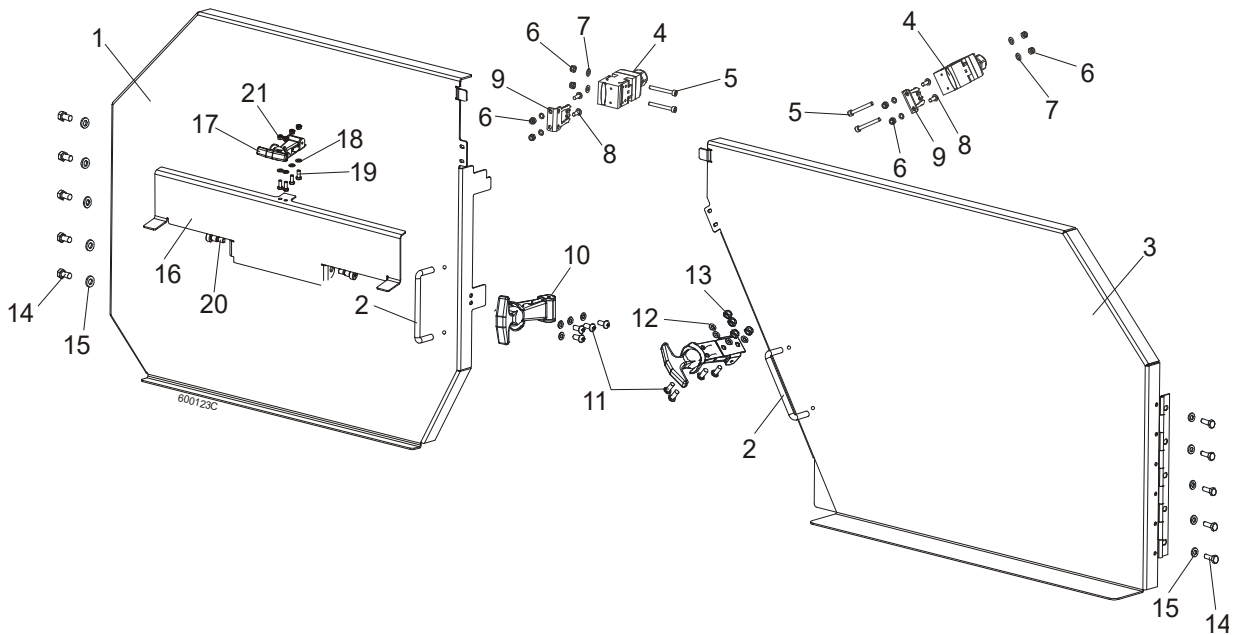
REF.	DESCRIPTION (◆ Indicates Parts Available In Assemblies Only)	PART #	QTY
1	DECAL, LT70 SERIES SAWMILL	092764	1
	PICTOGRAPHIC DECAL KIT, LT70DC	099519	1
2	DECAL, EUROPEAN HEADQUARTERS ADDRESS	015841	1
3	DECAL, SAWMILL COVERS CAUTION (PICTOGRAM)	099220	1
4	DECAL, PICTOGRAM (BLACK ARROW & HOOK)	085977B	1
5	DECAL, BLADE MOVEMENT DIRECTION (PICTOGRAM)	096321	1
6	DECAL, READ OPERATOR'S MANUAL (PICTOGRAM)	096317	1
7	DECAL, BLADE ALIGNMENT (PICTOGRAM)	P11789-70	1
8	DECAL, EYE PROTECTION WARNING (PICTOGRAM)	S12004G	1
9	DECAL, EAR PROTECTION WARNING (PICTOGRAM)	S12005G	1
10	DECAL, USE SAFETY BOOTS (PICTOGRAM)	501465	1
11	DECAL, SAWDUST CHUTE WARNING (PICTOGRAM)	099222	1
12	DECAL, KEEP AWAY - HOT PARTS	086099	1
13	DECAL, CE CERTIFIED SAWMILL (SMALL)	P85070	2
14	DECAL, RUSSIAN SAFETY CERTIFICATION	099401	1
15	DECAL, INTERNATIONAL SAWMILL NAME	501466	1

4

SAW HEAD*LT70DC Saw Head Decals*

	DECAL, BLADE SETTING	P85066-70	1	
	DECAL, KEEP AWAY DANGER, PICTOGRAM	099221	1	
	DECAL, MAX. OIL PRESSURE, PICTOGRAM	099524	1	
16	DECAL, LEVER OF TENSIONER'S BALL VALVE	505189	1	
17	DECAL, BLADE TENSION VALUES	518439	1	
18	REFLECTOR, 2" DIA. RED (FOR PORTABLE SAWMILLS ONLY)	521701	2	
	DECAL, STAY A SAFE DISTANCE FROM THE BLADE (FOR DEBARKERS)	098176	1	

4.7 Blade Housing Covers



REF	DESCRIPTION (◆ indicates parts available in assemblies only)	PART #	QTY
	COVER ASSEMBLY, IDLE SIDE BLADE HOUSING	088920	1
1	Cover Assembly, Idle Side Blade Housing	088915-1	1
2	Handle, Blade Housing Cover	P08065	1
	COVER ASSEMBLY, DRIVE SIDE BLADE HOUSING	088921	1
3	Cover Assembly, Drive Side Blade Housing	088917-1	1
2	Handle, Blade Housing Cover	P08065	1
4	SWITCH, AZ17-11ZRK SAFETY 1	094232	2
5	SCREW, M4X35 8.8 HEX SOCKET HEAD CAP ZIN	F81011-34	4
6	NUT, M3-6-HEX NYLON ZINC LOCK	F81028-2	8
7	WASHER, 4.3 FLAT ZINC	F81051-2	8
8	SCREW, M4X12 5.8-B SLOTTED COUNTERSUNK H	F81011-41	4
9	KEY, AZ17/170-B5 SAFETY SWITCH 2	094422	4
10	LATCH, FLEXIBLE DRAW	014829	2
11	BOLT, M5X12 8.8 HEX HEAD FULL THREAD ZIN	F81000-5	8
12	WASHER, 5.3 FLAT ZINC	F81052-1	8
13	NUT, M5-8 DIN985 ZINC-PLATED	F81030-2	8
14	BOLT M6X16 HH ZC FT 8.8 DIN 933	F81001-15	10
15	WASHER, 6.4 FLAT ZINC	F81053-1	10
	COVER, LT70 BLADE UPPER - COMPLETE	511536 ¹	1
	COVER, LT70 BLADE UPPER - COMPLETE	523795 ²	1
16	PLATE, LT70 UPPER COVER	511802-1 ³	1
	PLATE, LT70 UPPER COVER	524277-1 ⁴	1
17	LATCH, FLEXIBLE DRAW	014829	1
18	WASHER, 5.3 FLAT ZINC	F81052-1	2
19	BOLT, M5X12 8.8 HEX HEAD FULL THREAD ZIN	F81000-5	4
20	BOLT, 10/M8X12-12.9 BOSSARD SHOULDER	F81003-62	2
21	NUT, M5-8 DIN985 ZINC-PLATED	F81030-2	2

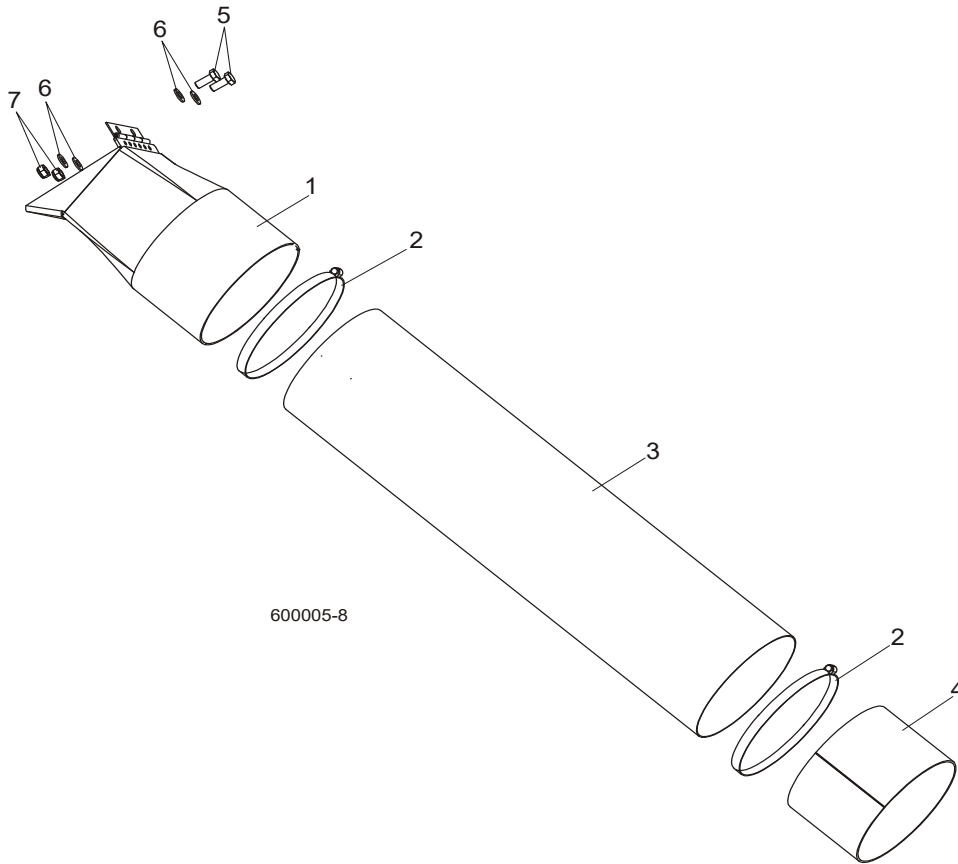
¹ Belongs to 088771 and 88770

² Belongs to 525852, 525853, 525854, 523792

³ Belongs to 511536

⁴ Belongs to 523795

4.8 Sawdust Chute

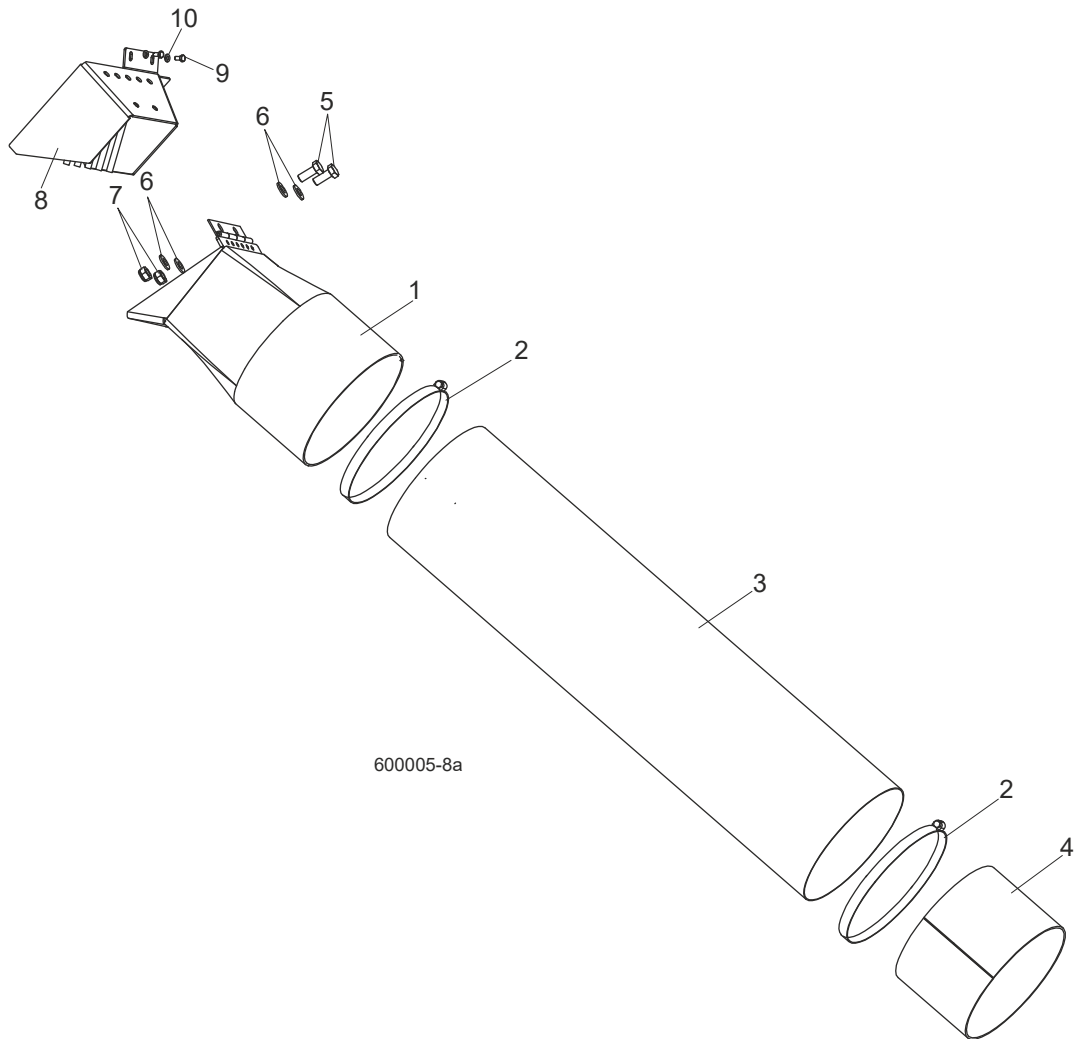


REF	DESCRIPTION (◆ indicates parts available in assemblies only)	PART #	QTY	
1	CHUTE WELDMENT, SAWDUST	089352-1	1	
2	CLAMP, 152 MM	089358	2	
3	TUBE, SAWDUST CHUTE	090153	1	
4	TUBE, CHUTE END	090126-1	1	
5	BOLT, M8X20 8.8 HEX HEAD FULL THREAD ZIN	F81002-4	2	
6	WASHER, 8.4 FLAT ZINC	F81054-1	4	
7	NUT, M8-8-B HEX NYLON ZINC LOCK	F81032-2	2	

4 SAW HEAD

Sawdust Chute (LT70 Wide only)

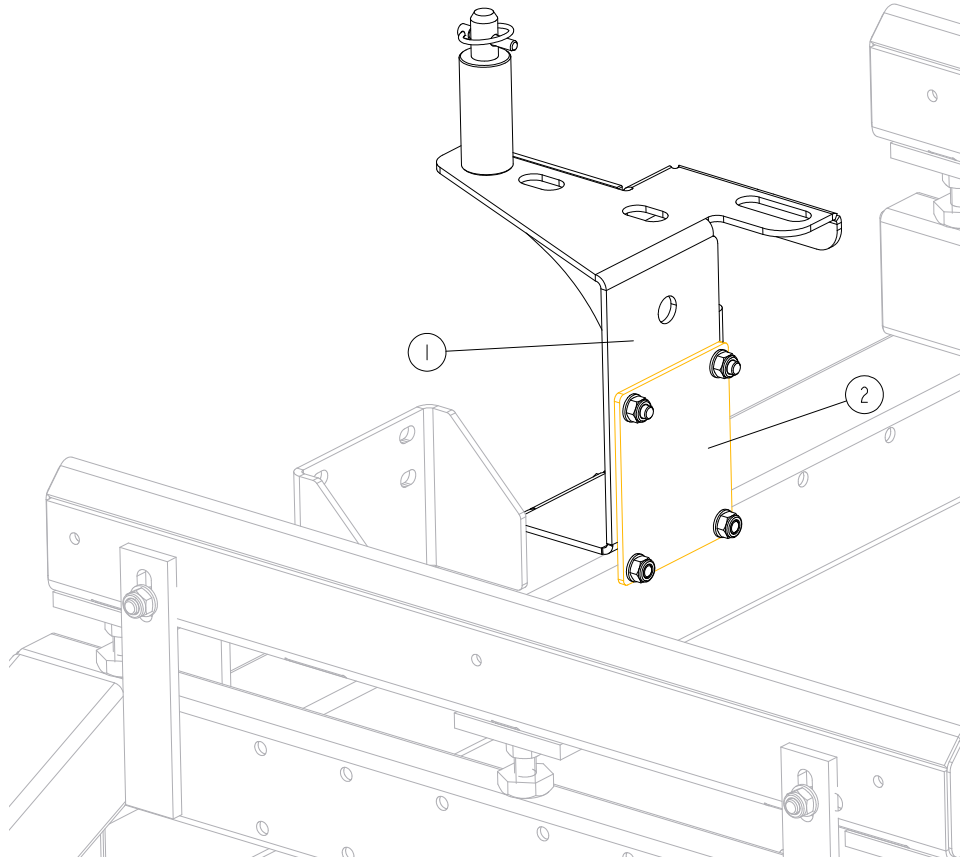
4.9 Sawdust Chute (LT70 Wide only)



REF	DESCRIPTION (◆ indicates parts available in assemblies only)	PART #	QTY
1	CHUTE WELDMENT, SAWDUST	089352-1	1
2	CLAMP, 152 MM	089358	2
3	TUBE, SAWDUST CHUTE	089357	1
4	TUBE, CHUTE END	090126-1	1
5	BOLT, M8X20 8.8 HEX HEAD FULL THREAD ZIN	F81002-4	2
6	WASHER, 8.4 FLAT ZINC	F81054-1	4
7	NUT, M8-8-B HEX NYLON ZINC LOCK	F81032-2	2
8	OUTLET SAWDUST (WIDE HEAD ONLY)	530184-1	1
9	BOLT, M6X12-8.8 HEX HEAD FULL THREAD ZIN	F81001-7	2
10	WASHER, 6.4 FLAT ZINC (WIDE HEAD ONLY)	F81053-1	2

4.10 Saw Head Rest Bracket & Plate Mount

LT70ME20SAH3-WSWR_001
 LT70ME20SAH3-WSWR_MANUAL



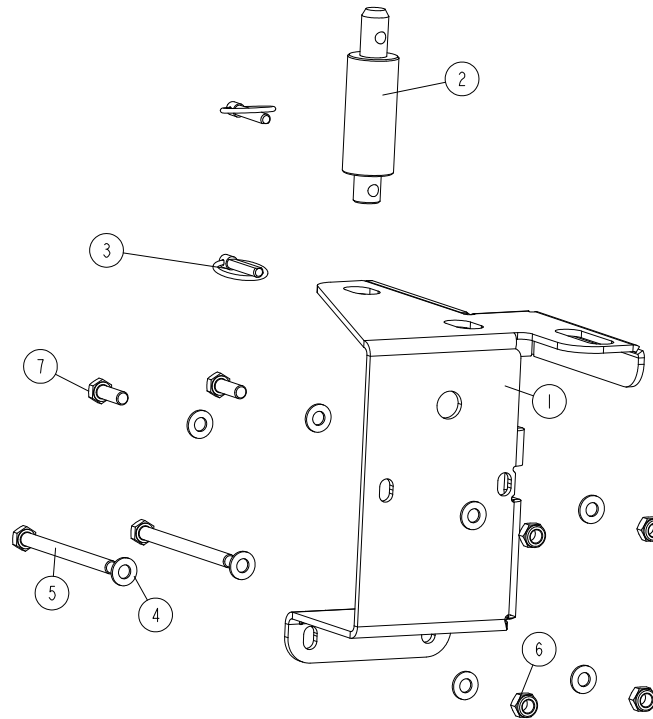
REF	DESCRIPTION (◆ indicates parts available in assemblies only)	PART #	QTY	
1	BRACKET, LT SAWMILL SAW HEAD REST See Section 4.11	550058	1	
2	PLATE, MOUNT	087055-1	1	

4 SAW HEAD

LT Sawmill Saw Head Rest Bracket

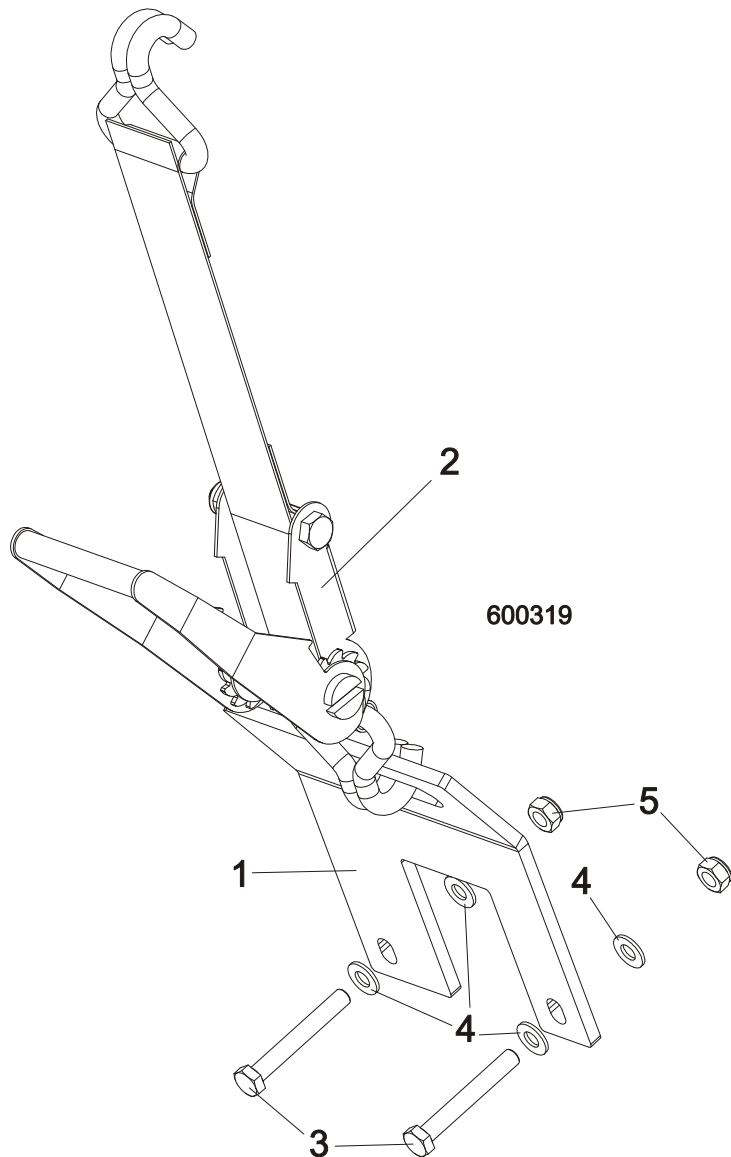
4.11 LT Sawmill Saw Head Rest Bracket

546306_001
546306_MANUAL



REF	DESCRIPTION (◆ indicates parts available in assemblies only)	PART #	QTY
-	BRACKET, LT SAWMILL SAW HEAD REST	550058	1
1	PLATE, SAW HEAD REST BRACKET	546307-1	1
2	PIN, LT20 SAW HEAD REST	550057-1	1
3	PIN, 8 BN914 LINCH (BOSSARD 1364650)	F81046-2	2
4	WASHER, 10.5 FLAT ZINC	F81055-1	8
5	BOLT, M10X125 8.8 HEX HEAD ZINC	F81003-18	2
6	NUT, M10-8-B HEX NYLON ZINC LOCK	F81033-1	4
7	BOLT, M10X30-8.8 HEX HEAD FULL THREAD ZINC	F81003-2	2

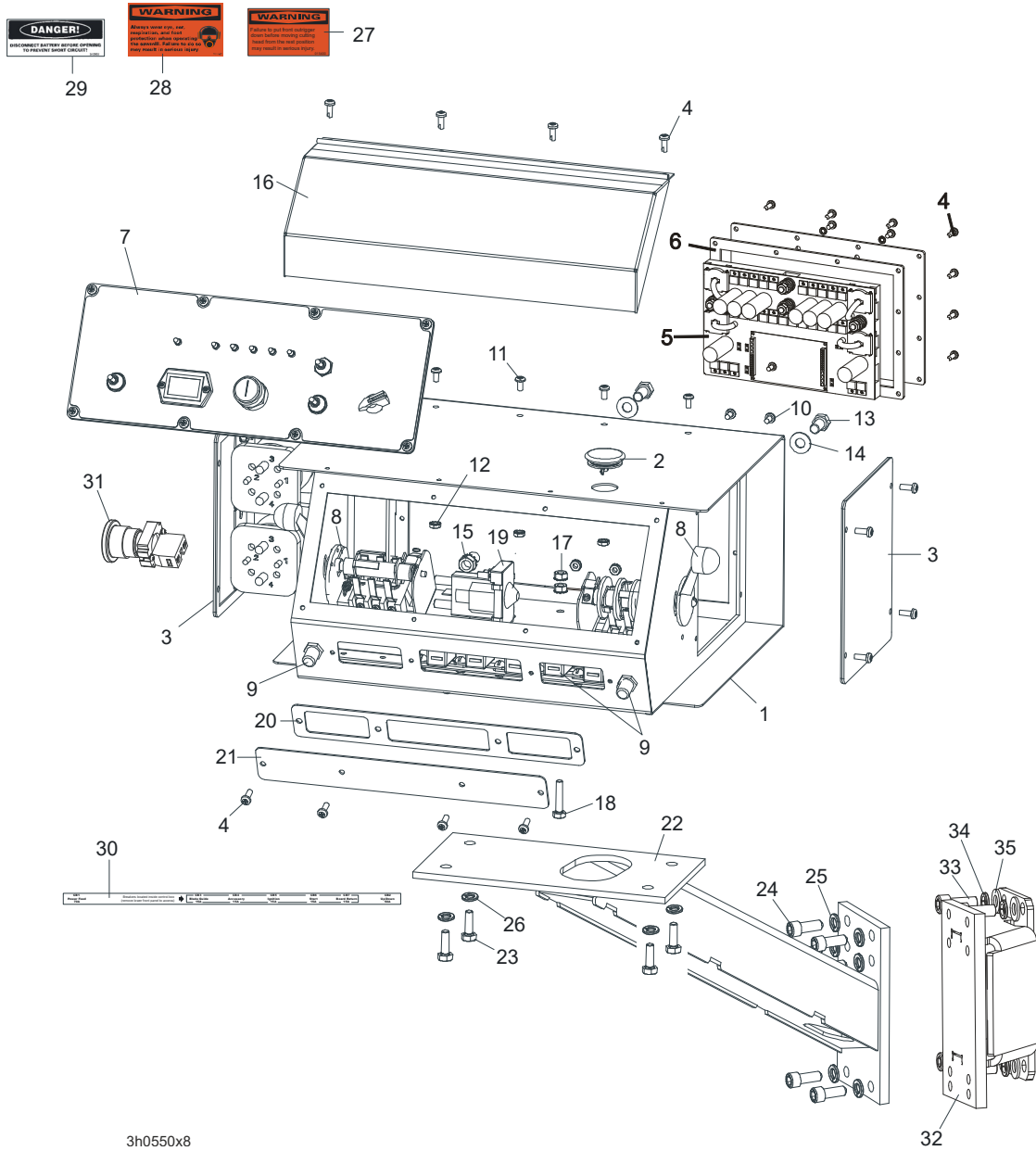
4.12 Saw Head Protection Kit, LT70L Mobile



REF	DESCRIPTION (◆ Indicates Parts Available In Assemblies Only)	PART #	QTY.
	SAW HEAD PROTECTION KIT, LT70L MOBILE	505565	1
1	BRACKET, PROTECTION BELT-PAINTED	505549-1	1
2	BELT, LT70 SAW HEAD PROTECTION	527064	1
3	BOLT, M10x75-8.8 HEX HEAD ZINC	F81003-15	2
4	WASHER, 10.5 FLAT ZINC	F81055-1	4
5	NUT, M10-8-B NYLON HEX ZINC LOCK	F81033-1	2

4.13 CONTROL & BATTERY BOXES

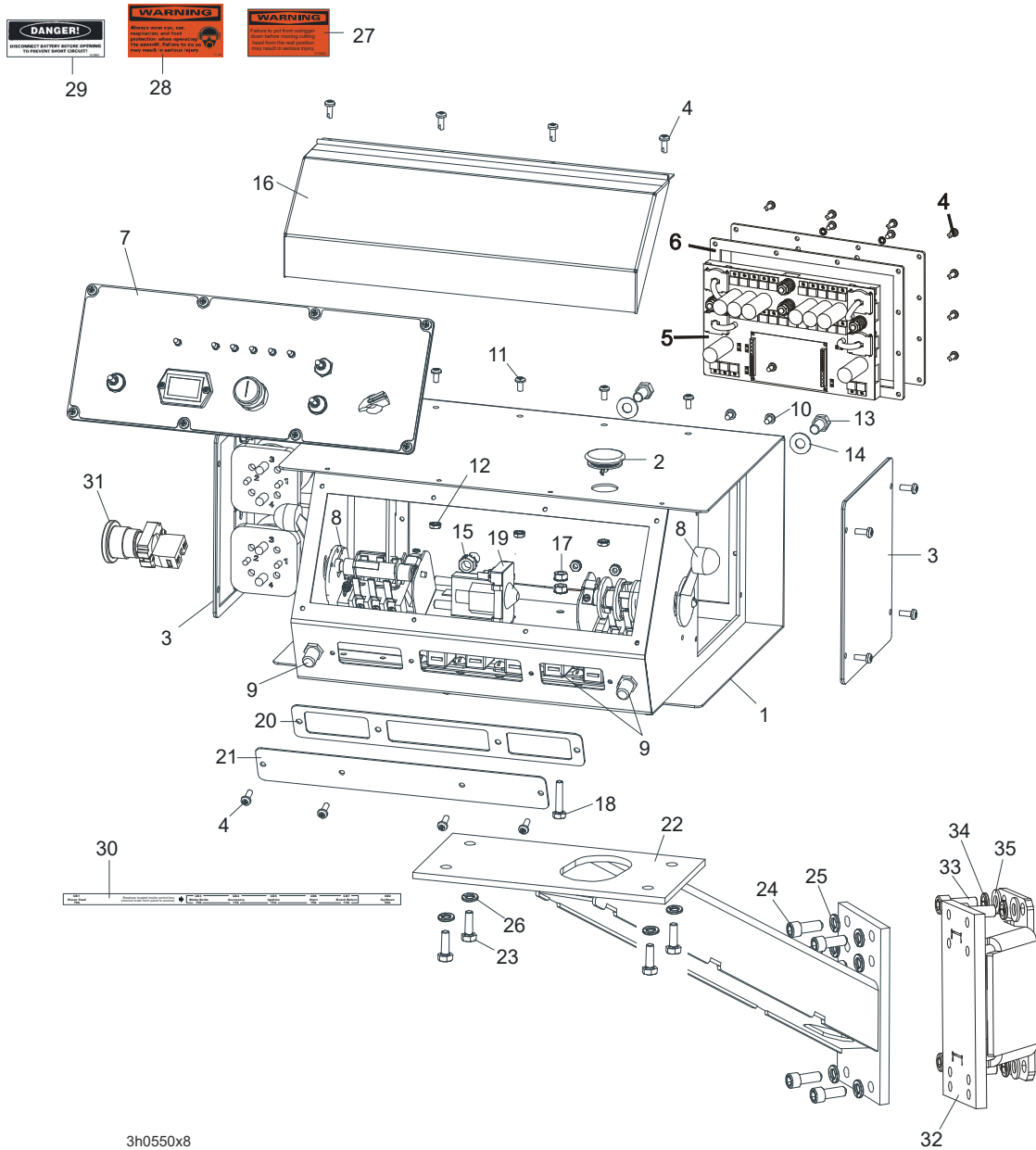
4.14 Control Assembly (Gas/Diesel)



SECTION 5

REF	DESCRIPTION (◆ indicates parts available in assemblies only)	PART #	QTY
	CONTROL BOX ASSEMBLY, D42	095000	1
1	DC Control Box	095012-1	1
2	Plug, AS075 Oiltite	E20570	1
3	Solenoid Parts (See Section)		
4	BOLT, #10-24X1/2 PH	F05015-17	16
5	Panel Assembly, Power Feed Control	095010-1	1
	Circuit Board, Control Box Power Feed	051667	1
6	Gasket, Rear Access Panel	095011	1
7	Front Control Panel & Wiring Harnesses (Section 5.3)		
8	Drum Switches (Section 5.2)		
9	Circuit Breakers (Section 5.4)		
10	SCREW, #10-24 X 3/8 PHILLIPS PAN HEAD ZI	F05004-3	2
11	SCREW, #10-24 X 3/8" PHILLIPS PAN HEAD M	F05004-148	4
12	NUT, #10-24 SELF-LOCKING	F05010-14	6
13	BOLT, 3/8-16 X 3/4" HEX HEAD	F05007-27	2
14	WASHER, 10.5 FLAT ZINC	F81055-1	2
15	NUT, 3/8" LOCK NUT	F05010-19	2
16	Cover, Control Box Hinged	015304	1
17	NUT, 1/4-20 SELF-LOCKING HEX	F05010-9	2
18	BOLT, 1/4-20 X 1 1/4" HEX HEAD TAP	F05005-3	1
19	SOLENOID, 200A 12V SPST HYDRAULIC PUMP	015470	1
	Diode Assembly, Solenoid Coil Chassis GND	087496	1
20	Gasket, Front Access Panel	015266	1
21	Panel, Control Box Front Access	086704-1	1
22	MOUNT WELDMENT, STANDARD CONTROL BOX	086732-1	1
23	NUT, 5/16-18 SELF-LOCKING HEX	F05010-20	4
24	SCREW, M10X25 8.8 HEX SOCKET HEAD CAP ZI	F81003-32	4
25	WASHER, Z 10.2 SPLIT LOCK ZINC	F81055-2	4
26	WASHER, 3/8" EXTERIOR STAR LOCK	F05011-36	4
27	DECAL, FRONT OUTRIGGER WARNING	015400	1
28	DECAL, EAR/EYE PROTECTION WARNING	S11753	1
29	DECAL, DISCONNECT BATTERY DANGER	S12002	1
30	DECAL, CIRCUIT BREAKER ID ('98 SUPER)	024362	1
31	SWITCH, RED EMERGENCY STOP XALJ174F	E22703-2	1
	SPACER, LT70 CONTROL BOX - COMPLETE	522517	1
32	SPACER WELDMENT, LT70 CONTROL BOX	522169-1	1
33	SCREW, M10X25 8.8 HEX SOCKET HEAD CAP ZI	F81003-32	4
34	WASHER, Z 10.2 SPLIT LOCK ZINC	F81055-2	4
35	WASHER, 10.5 FLAT ZINC	F81055-1	4

5.1 Control Assembly (Gas/Diesel)



REF	DESCRIPTION (◆ indicates parts available in assemblies only)	PART #	QTY
	CONTROL BOX ASSEMBLY, D42	095000	1
1	DC Control Box	095012-1	1
2	Plug, AS075 Oiltite	E20570	1
3	Solenoid Parts (See Section)		
4	BOLT, #10-24X1/2 PH	F05015-17	16
5	Panel Assembly, Power Feed Control	095010-1	1
	Circuit Board, Control Box Power Feed	051667	1
6	Gasket, Rear Access Panel	095011	1
7	Front Control Panel & Wiring Harnesses (Section 5.3)		
8	Drum Switches (Section 5.2)		
9	Circuit Breakers (Section 5.4)		

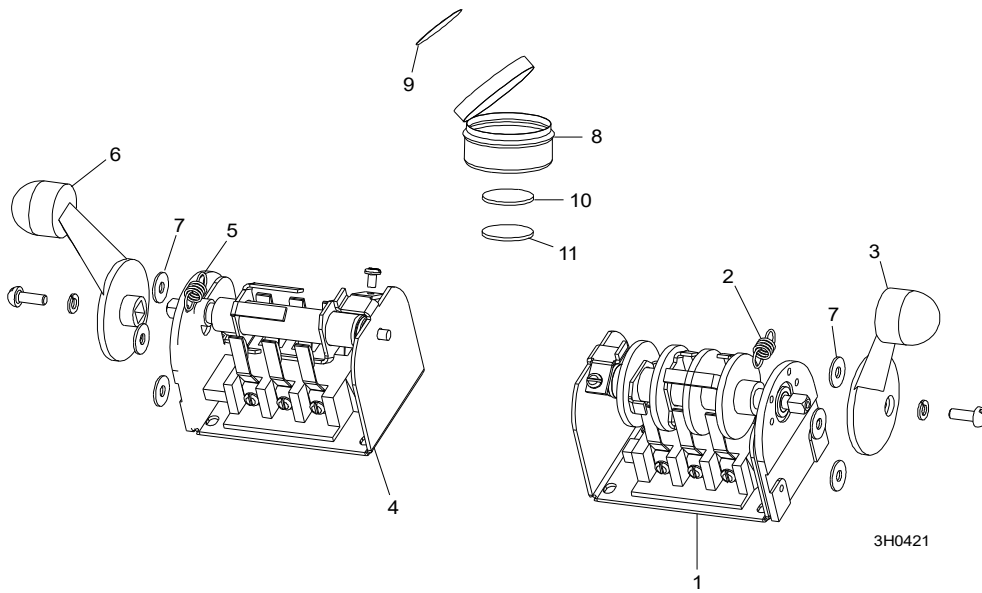
10	SCREW, #10-24 X 3/8 PHILLIPS PAN HEAD ZI	F05004-3	2	
11	SCREW, #10-24 X 3/8" PHILLIPS PAN HEAD M	F05004-148	4	
12	NUT, #10-24 SELF-LOCKING	F05010-14	6	
13	BOLT, 3/8-16 X 3/4" HEX HEAD	F05007-27	2	
14	WASHER, 10.5 FLAT ZINC	F81055-1	2	
15	NUT, 3/8" LOCK NUT	F05010-19	2	
16	Cover, Control Box Hinged	015304	1	
17	NUT, 1/4-20 SELF-LOCKING HEX	F05010-9	2	
18	BOLT, 1/4-20 X 1 1/4" HEX HEAD TAP	F05005-3	1	
19	SOLENOID, 200A 12V SPST HYDRAULIC PUMP	015470	1	
	Diode Assembly, Solenoid Coil Chassis GND	087496	1	
20	Gasket, Front Access Panel	015266	1	
21	Panel, Control Box Front Access	086704-1	1	
22	MOUNT WELDMENT, STANDARD CONTROL BOX	086732-1	1	
23	NUT, 5/16-18 SELF-LOCKING HEX	F05010-20	4	
24	SCREW, M10X25 8.8 HEX SOCKET HEAD CAP ZI	F81003-32	4	
25	WASHER, Z 10.2 SPLIT LOCK ZINC	F81055-2	4	
26	WASHER, 3/8" EXTERIOR STAR LOCK	F05011-36	4	
27	DECAL, FRONT OUTRIGGER WARNING	015400	1	
28	DECAL, EAR/EYE PROTECTION WARNING	S11753	1	
29	DECAL, DISCONNECT BATTERY DANGER	S12002	1	
30	DECAL, CIRCUIT BREAKER ID ('98 SUPER)	024362	1	
31	SWITCH, RED EMERGENCY STOP XALJ174F	E22703-2	1	
	SPACER, LT70 CONTROL BOX - COMPLETE	522517	1	
32	SPACER WELDMENT, LT70 CONTROL BOX	522169-1	1	
33	SCREW, M10X25 8.8 HEX SOCKET HEAD CAP ZI	F81003-32	4	
34	WASHER, Z 10.2 SPLIT LOCK ZINC	F81055-2	4	
35	WASHER, 10.5 FLAT ZINC	F81055-1	4	

5.2 Drum Switches

REF	DESCRIPTION (◆ indicates parts available in assemblies only)	PART #	QTY	
-	BOX, LT70 REMOTE CONTROL	500630	1	
1	HOUSING, AC SUPER CONTROL BOX ASSEMBLY (086546-1	1	
2	SWITCH ASSEMBLY, POWER FEED DRUM Section 5.2	E20438	1	
3	SWITCH, 1992 UP/DOWN Section 5.2	E20440	1	
4	WASHER, ZBY9330 EMERGENCY STOP BUTTON	086561	1	
5	BUTTON, XB4 BS542 EMERGENCY STOP	086556	1	
6	PLATE, COMPLETE FRONT CONTROL BOX Section 5.8	086562	1	
7	COVER, CONTROL BOX HINGED	015304	1	
8	BOLT, #10-24X1/2 PH PAN HD, TYPE 23	F05015-17	4	
9	SEAL, 1 1/4 RING LQTI W/RETAINER	015430	1	
10	CONNECTOR, 1 1/4 STRAIGHT METAL CONDUIT	024402	1	
11	CONDUIT, 1-1/4IN FLEX	024401	1	
-	PLUG, AS075 OILTITE	E20570	1	
12	PLUG, HOLE SEAL	E20570-1	1	
13	GASKET, HOLE SEAL	E20570-2	1	
14	WASHER, HOLE SEAL	E20570-3	1	
15	NUT, #10-24 WING	E20570-4	1	
16	SCREW, #10-24 X 3/8" PHILLIPS PAN HEAD M	F05004-148	4	
17	NUT, #10-24 SELF-LOCKING	F05010-14	4	
18	CUP ASSEMBLY, DRUM SWITCH GREASE	A20463	1	
19	GROMMET, RUBBER	087065	1	
20	RAIL, CIRCUIT BREAKER	525779-1	1	
21	NUT, M5-8 DIN985 ZINC-PLATED	F81030-2	3	
22	BREAKER, 15 AMP MANUAL RESET	E20430	3	
23	SCREW, #8-32 X 1/2" SLOTTED HEAD	F05004-12	4	
24	NUT, #8-32 HEX SELF-LOCKING	F05010-41	4	
25	STRIP, ELECTRIC WIRE	F81086-1	1	
26	SCREW, M3X20-5.8-A-PAN HEAD ZINC	F81000-8	1	
27	WASHER, 4.3 FLAT ZINC	F81051-2	1	
28	WASHER, 3.2 A MS FLAT SPECIAL	F81050-1	1	
29	NUT, M3-6-HEX NYLON ZINC LOCK	F81028-2	1	
-	GASKET ASSEMBLY	532368	1	
30	PLATE, COVER	532367-1	1	
31	GASKET, CORK	532366	1	
32	SCREW, M6X16 BN 11252 "BOSSARD".	F81001-24	4	
33	NUT, M6-8-B HEX NYLON ZINC LOCK	F81031-2	4	
REF	DESCRIPTION (◆ indicates parts available in assemblies only)	PART #	QTY	
-	BOX ASSEMBLY, 10-SECTION REMOTE CONTROL	528343	1	
1	BASE WELDMENT, REMOTE HYDRAULIC CONTROL	500509-1	1	
2	PLATE, REMOTE CONTROL BOX	500121-1	1	
3	BOX WELDMENT, HYDRAULIC	500128-1	1	
4	WASHER, 10.5 FLAT ZINC	F81055-1	10	
5	BOLT, M10X25 8.8 HEX HEAD FULL THREAD ZI	F81003-11	2	
6	VALVE, 10 SECTION HDS11/10-6	091344SUB	1	

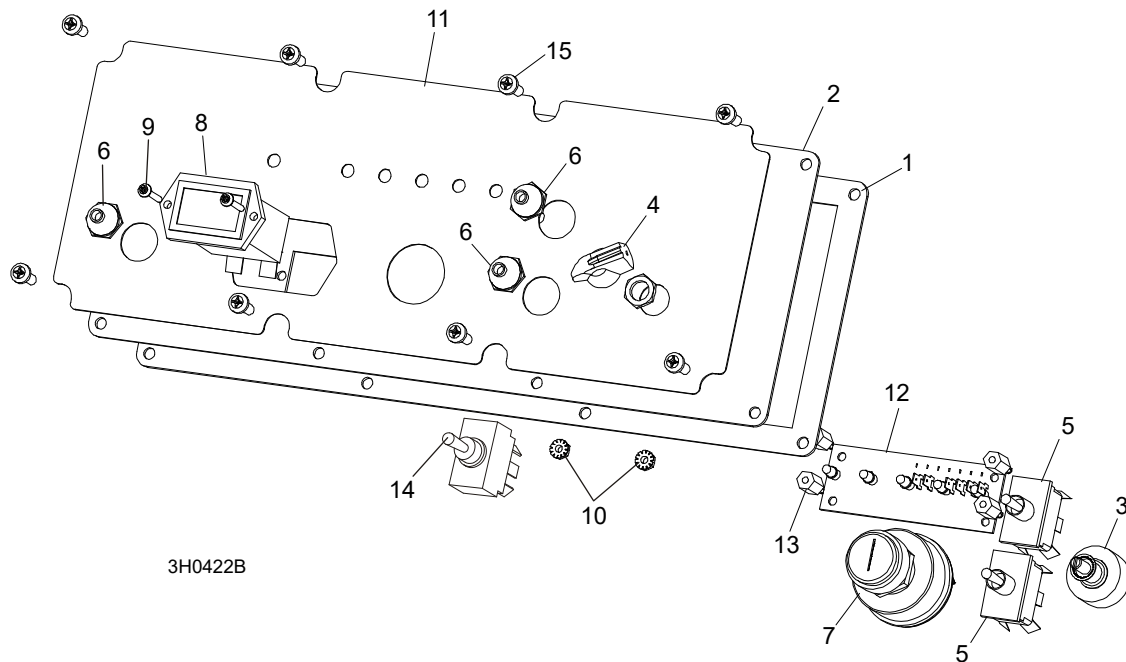
REF	DESCRIPTION (◆ indicates parts available in assemblies only)	PART #	QTY	
7	PUMP, AC.5.5KW 18.5L/MIN HYDRAULIC W/MOT	517840	1	
8	MANIFOLD, W/FILTER	P22683	1	
9	FITTING, 1/2NPT-3/8 BARB ELBOW	P12707	2	
10	BOLT, 1/4-20X1/2 HEX HEAD	F05005-15	2	
11	WASHER, Z 6.1 SPLIT LOCK	F81053-3	2	
12	FITTING, 6SAE MALE-1/4NPT FEMALE	014686	2	
13	FITTING, 1/4NPT BRANCH TEE	015486	1	
14	FITTING, 3/8JIC-1/4NPT 90L	015491	2	
15	PLUG, 1/4-18 NPT BLANK	096221	1	
16	FITTING, 3/8NPT-3/8 BARB ELBOW	P12708	1	
17	WASHER, 8.4 FLAT ZINC	F81054-1	44	
18	NUT, M8-8-B HEX NYLON ZINC LOCK	F81032-2	18	
19	PLATE, REMOTE HYDRAULIC CONTROL BOX REAR	500516-1	1	
20	PLATE, FRONT	500122-1	1	
21	GUARD, RUBBER HYDRAULIC VALVE 10-SECTION	091739	1	
22	BOLT, #10-24X1/2 SELF-TAPPING	F05015-7	12	
23	GROMMET, RUBBER	087065	1	
24	PANEL, HYDRAULIC BOX REAR	500124-1	1	
25	GROMMET, 4 3/8 X 10 OVAL RUBBER	085759	1	
26	GUARD, LT70 AC REMOTE CONTROL BOX	090219	1	
27	FITTING, 1/4NPT-3/8 BARB	014685	1	
28	FITTING, 3/8" O-RING X 3/8" JIC	014687	6	
29	FITTING, #6SAE 45 DEG ELBOW	015489	1	
30	FITTING, #4 SAE - #6 SAE 45° ELBOW	015488	5	
31	FITTING, 1/4JIC-3/8 O-RING	P26284	9	
32	BRACKET, CONTROL BOX GUARD	500766-1	1	
33	BRACKET, CONTROL BOX GUARD - LEFT	500767-1	1	
34	BOLT, M8X25-8.8-B HEX HEAD FULL THREAD Z	F81002-5	14	
35	BOLT, M8X16 -8.8-B HEX HEAD FULL THREAD	F81002-20	8	
36	BOLT, M8X20-8.8 HEX HEAD FULL THREAD ZIN	F81002-1	4	
37	WASHER, 6.4 FLAT ZINC	F81053-1	6	
38	BOLT,M10X35-8.8 HEX HEAD FULL THREAD ZIN	F81003-17	4	
39	NUT, M10-8-B HEX NYLON ZINC LOCK	F81033-1	4	
40	MICROSWITCH, HYDRAULIC VALVE	014765	1	
41	GROMMET, 15,9 UB625 RUBBER	086816	1	
42	GUARD, CABLE	501102-1	1	
43	FITTING, 3/8JIC-1/4NPT STRAIGHT	015560	1	
44	FITTING, M22X1.5 / 1/4 - 18 NPT ZINC-PL.	093139-1	1	
45	FITTING, PN10AFL 13-90 ELBOW	094485	1	
46	FITTING, VMNW10HS22	094486	1	
47	CAP, 44.5 MM #466923 HOLE	500768	1	
48	BUSH, MOSS 44.5MM 465901 SNAP-FIT	R80670-3	1	
49	BOLT M6X16 HH ZC FT 8.8 DIN 933	F81001-15	6	
50	CLAMP, 11/16 WORM	061807	4	

5 Drum Switches



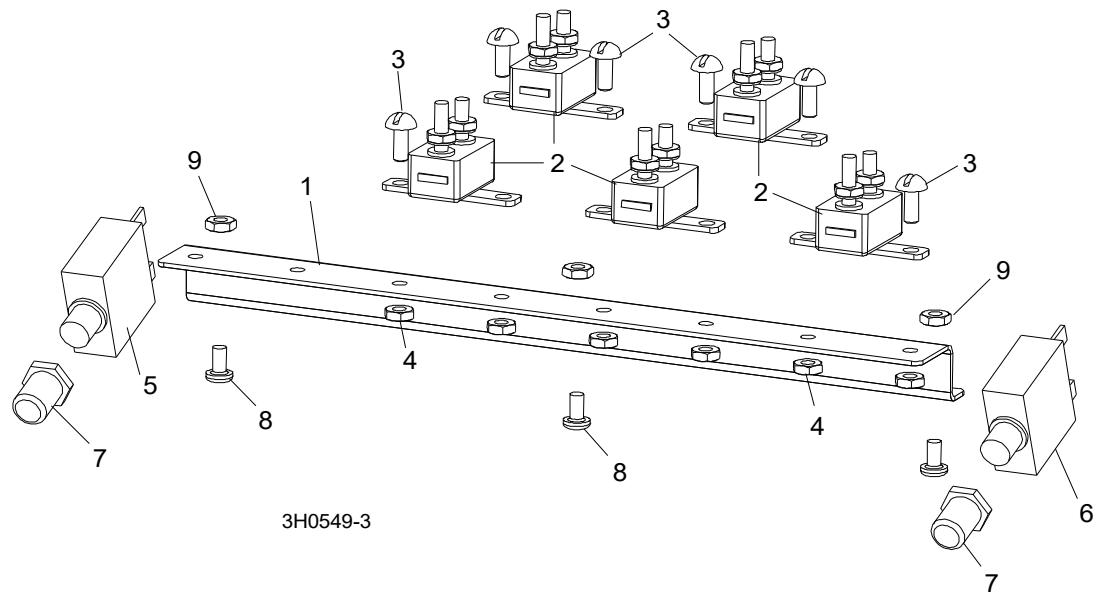
REF	DESCRIPTION (◆ indicates parts available in assemblies only)	PART #	QTY	
	SWITCH, 1992 UP/DOWN	E20440	1	
1	Switch, S12 Bulk Drum	E20440-B	1	◆
2	Spring, Drum Switch	P12570	1	
3	Handle, Drum Switch Replacement	P12500	1	
	SWITCH ASSEMBLY, POWER FEED DRUM	E20438	1	
4	Switch, S10 Bulk Drum	E20438-B	1	◆
5	Spring, Drum Switch	P12570	1	
6	Handle, Drum Switch Replacement	P12500	1	
7	WASHER, #8 SAE FLAT	F05011-41	6	
	CUP ASSEMBLY, DRUM SWITCH GREASE	A20463	1	
8	Cup, Plastic Container	P20464	1	◆
9	Decal, Grease Cup Label	P20467	1	
10	Pad, Velcro Loop	P20466	1	◆
11	Pad, Velcro Hook	P20465	1	◆
	Grease, High Temp Drum Switch	P20468	.011ml	◆

5.3 Front Panel Assembly & Harnesses



REF	DESCRIPTION (◆ indicates parts available in assemblies only)	PART #	QTY
	PANEL ASSEMBLY, CONTROL FRONT (D42)	087401	1
1	Gasket, Front Panel	088387	1
2	Panel Weldment, Control	015302	1
3	POTENTIOMETER,1K,LTAGA	E20519	1
4	KNOB, SPEED CONTROL	P06257	1
5	SWITCH, TOGGLE 21A DPDT REV MOM SPADE	024200	2
6	Boot, Toggle Switch Rubber	P02575	3
7	Switch, Key	P04350	1
8	Meter, Hour	015401	1
9	SCREW, 6-32 X 3/4" SOCKET BUTTON HEAD CA	F05004-93	2
10	NUT, # 6-32 KEPS	F05010-59	2
11	Decal, Control Panel (E25)	015271	1
	Decal, Control Panel (D42)	015269	1
12	Board, LED Circuit (E25)	015416	1
	Board, LED Circuit (D42)	015409	1
13	SPACER, 1/2"-#6 THREADED	023147	4
14	Switch, DPDT On/Off/On 15A Toggle	024588	1
15	BOLT, #10-24X1/2 PH	F05015-17	8
	HARNESS ASSEMBLY, UPPER WIRING (E25)	024843	1
	HARNESS ASSEMBLY, UPPER WIRING (D42)	087107	1
	HARNESS ASSEMBLY, LOWER WIRING (D42)	087106	1
	HARNESS ASSEMBLY, LOWER WIRING (E25)	015421	1

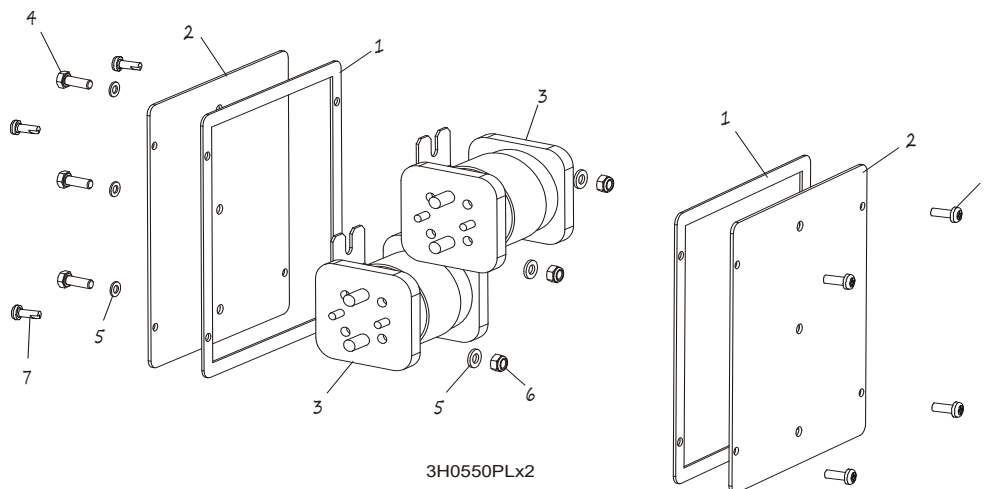
5.4 Circuit Breakers



REF	DESCRIPTION (◆ indicates parts available in assemblies only)	PART #	QTY
	BREAKER ASSEMBLY, SAWMILL CONTROL CIRCUIT	015621	1
1	Rail, Circuit Breaker	015310	1
2	Breaker, 15 Amp Manual Reset	E20430	5
3	Screw, #8-32 X 1/2" Slotted Head	F05004-12	6
4	Nut, #8-32 Hex Self-Locking	F05010-41	6
5	BREAKER, 70 AMP MANUAL RESET PANEL MOUNT	015527	1
6	BREAKER, 50 AMP MANUAL RESET PANEL MOUNT	021256	1
7	BOOT, CIRCUIT BREAKER	021253	2
8	SCREW, #10-24 X 3/8 PHILLIPS PAN HEAD ZINC	F05004-3	3
9	NUT, #10-24 SELF-LOCKING	F05010-14	3

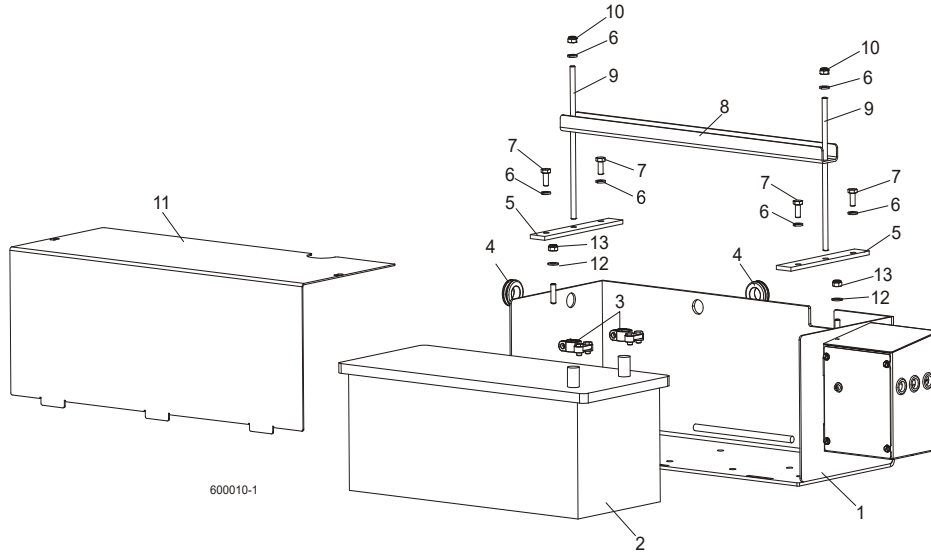
5.5 Solenoids

REF	DESCRIPTION (◆ indicates parts available in assemblies only)	PART #	QTY
-	PLATE, COMPLETE FRONT CONTROL BOX	086562	1
1	PANEL WELDMENT, CONTROL	015302	1
2	DECAL, CONTROL PANEL (E25)	015271	1
3	METER, HOUR	015401	1
4	SCREW, 6-32 X 3/4" SOCKET BUTTON HEAD CA	F05004-93	2
5	NUT, # 6-32 KEPS	F05010-59	2
6	SWITCH, KEY	P04350	1
7	WASHER, 1/2X3/4X1/16 NYLON	P05251-1	2
8	SWITCH, DPDT TOGGLE 21A REV MOM SPADE	024200	2
9	BOOT, TOGGLE SWITCH	P02575	2
10	SWITCH ASSEMBLY, FEED RATE	024450	1
11	KNOB, SPEED CONTROL	P06257	1
12	SPACER, 1/2"-#6 THREADED	023147	4
-	BOARD, LED CIRCUIT (E25)	015416	1
13	CIRCUIT BOARD, SAWMILL LED	023038	1
14	BOLT, #10-24X1/2 PH PAN HD, TYPE 23	F05015-17	8
15	GASKET, FRONT PANEL	015270	1



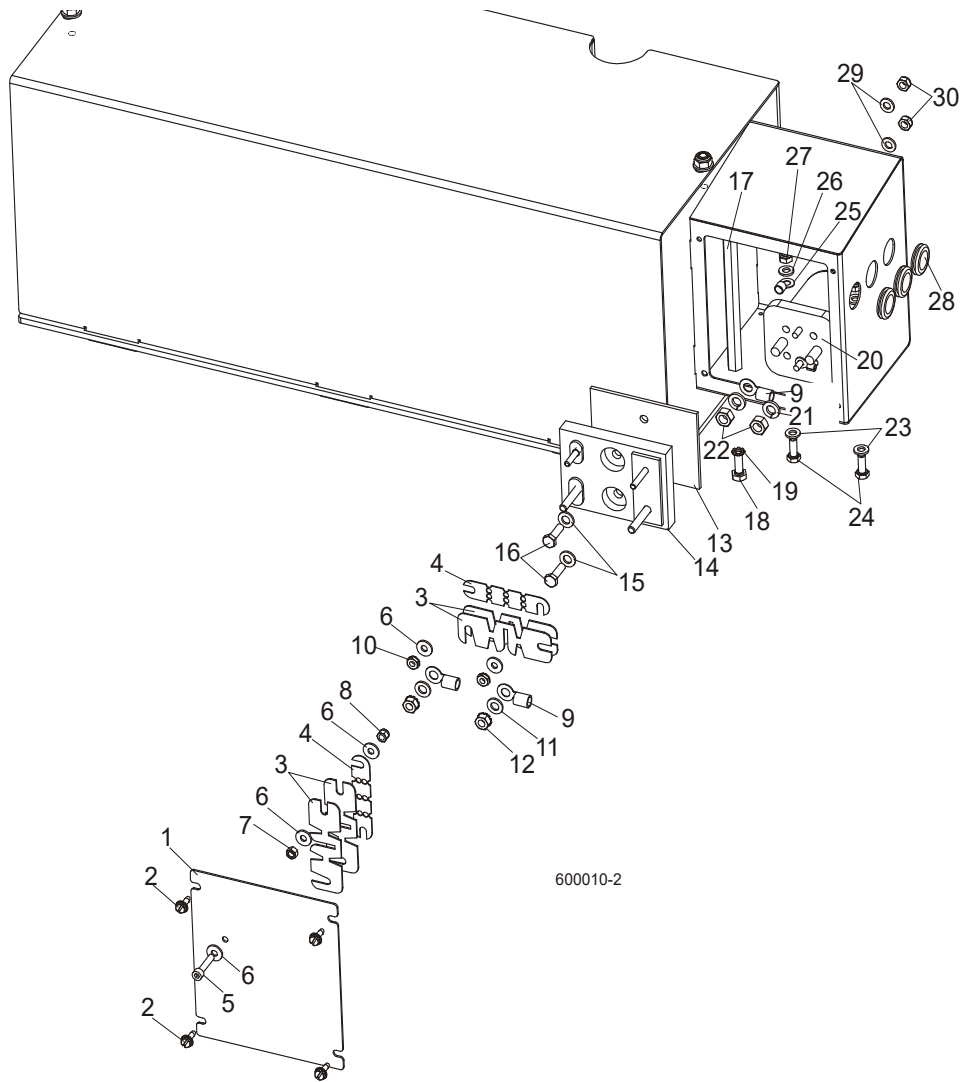
REF	DESCRIPTION (◆ indicates parts available in assemblies only)	PART #	QTY
1	GASKET, SIDE PANEL	015274	2
2	PANEL WELDMENT, SIDE	015307	2
3	SOLENOID, 200A 12V SPST HYDRAULIC PUMP	015470	2
4	BOLT M6X16 HH ZC FT 8.8 DIN 933	F81001-15	3
5	WASHER, 6.4 FLAT ZINC	F81053-1	6
6	NUT, M6-8-B HEX NYLON ZINC LOCK	F81031-2	3
	DIODE ASSEMBLY, SOLENOID COIL CHASSIS GND	087496	4
7	BOLT, #10-24X1/2 PH	F05015-17	8

5.6 Battery Box Assembly (Sawmills w/D42 Engine Only)



REF	DESCRIPTION (◆ indicates parts available in assemblies only)	PART #	QTY
	BATTERY BOX - COMPLETE	089794	1
1	Box Weldment, Battery	088677-1	1
2	Battery, 12V 180Ah "BANNER"	089369	1
3	Terminal, Battery	P05085	2
4	Grommet, 22MM Dia. Rubber	087400	2
5	Bar, Battery Retainer	088538-1	2
6	Washer, 8.2 Split Lock Zinc	F81054-4	6
7	Bolt, M8X20 5.8 Hex Head Full Thread Zinc	F81002-1	4
8	Bracket, Battery Hold-Down	088357-1	1
9	Bolt, Battery Hold-Down	088356-1	2
10	Nut, M8-8-B Hex Nylon Zinc Lock	F81032-2	2
11	COVER, BATTERY BOX	088362-1	1
12	WASHER, 8.4 FLAT ZINC	F81054-1	2
13	NUT, M8-8-B HEX NYLON ZINC LOCK	F81032-2	2

5.7 Fuse Box Assembly (Sawmills w/D42 Engine Only)

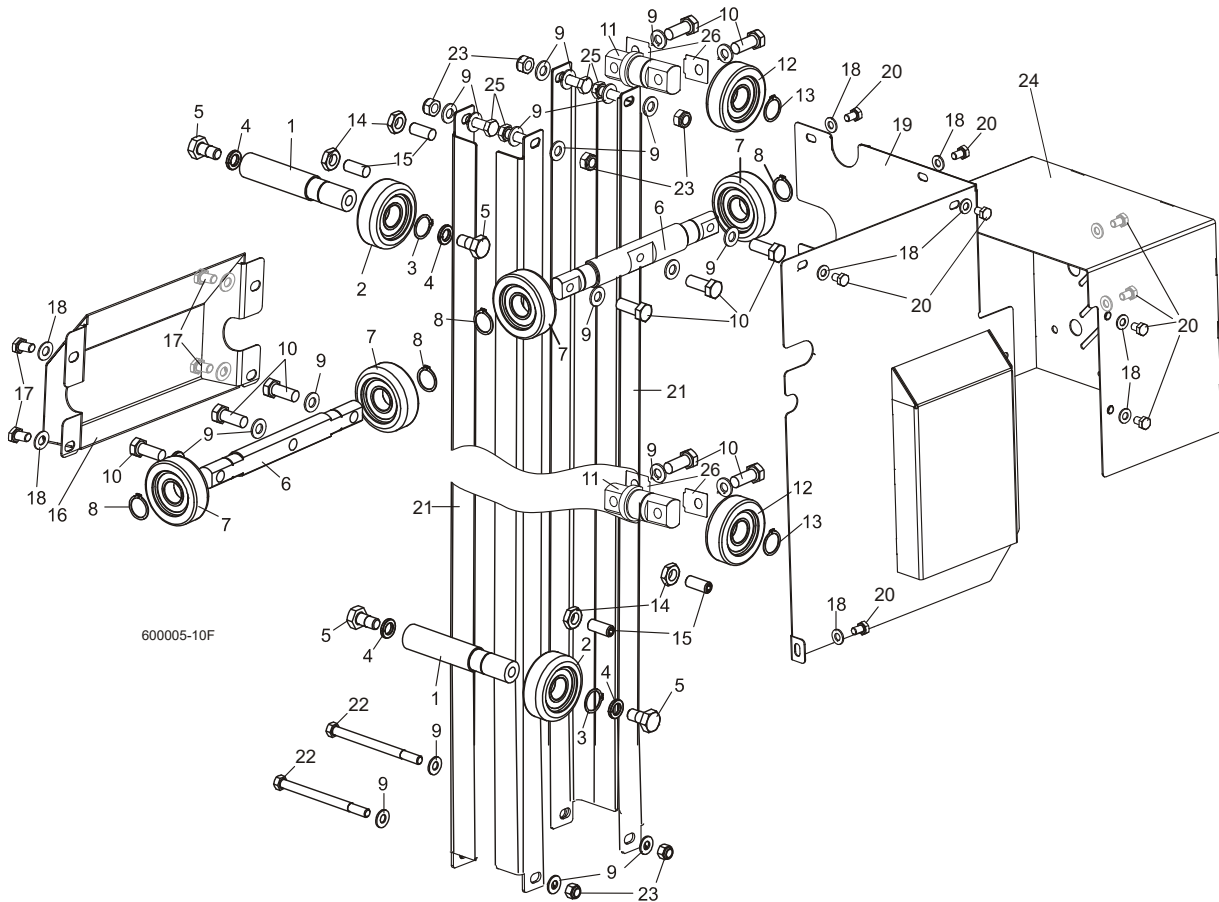


REF.	DESCRIPTION (◆ indicates parts available in assemblies only)	PART #	QTY
1	COVER, FUSE BOX PAINTED	086272-1	1
2	BOLT, #10-24X1/2 SELF-TAPPING	F05015-7	4
3	FUSE LINK, 12 VOLT 225 AMP	P11550	4
4	FUSE LINK, 12 VOLT 150 AMP	023361	2
5	SCREW, M5X25 8.8 HEX SOCKET HEAD CAP ZINC	F81000-7	1
6	WASHER, 5.5 SPECIAL FLAT ZINC-PLATED	F81052-3	5
7	NUT, M5-8 HEX ZINC	F81030-1	1
8	NUT, M5-8-FE/ZN5 DIN985	F81030-2	1
9	TERMINAL, 35 RING #2 GAUGE	F81066-3	3
10	NUT, #10-24 SELF-LOCKING	F05010-14	2
11	WASHER, 7.4 FLAT ZINC	F81056-11	2
12	NUT, 1/4-20 SELF-LOCKING HEX	F05010-9	2
13	PAD, FUSE BOX INSULATOR	015287	1
14	BLOCK ASSY, SUPER FUSE	015288	1
15	WASHER, 7.4 FLAT ZINC	F81056-11	2
16	BOLT, M6X20 8.8 HEX HEAD FULL THREAD ZIN	F81001-2	2

17	TERMINAL, EXTENDED HEX STUD	015517	1	
18	BOLT, 1/4-20X3/4 FT HHC	F05005-1	1	
19	WASHER, M6 STAR LOCK ZINC	F81053-2	1	
20	SOLENOID, 200A 12V SPST HYDRAULIC PUMP	015470	1	
21	WASHER, 8.2 SPLIT LOCK ZINC	F81054-4	2	
22	NUT, 5/16-24 HEX ZINC	F05010-28	2	
23	WASHER, 6.4 FLAT ZINC	F81053-1	2	
24	BOLT, M6X16-8.8 HEX HEAD FULL THREAD ZIN	F81001-15	2	
25	TERMINAL, KO1/8 RING	F05092-7	1	
26	WASHER, 6.4 FLAT ZINC	F81053-1	2	
27	NUT, M6-8-B HEX NYLON ZINC LOCK	F81031-2	2	
28	GROMMET, 5/8" RUBBER WIRE	P11764	3	
29	WASHER, 6.4 FLAT ZINC	F81053-1	2	
30	NUT, M6-8-B HEX NYLON ZINC LOCK	F81031-2	2	

SECTION 6 UP/DOWN SYSTEM

6.1 Up/Down Rollers & Covers

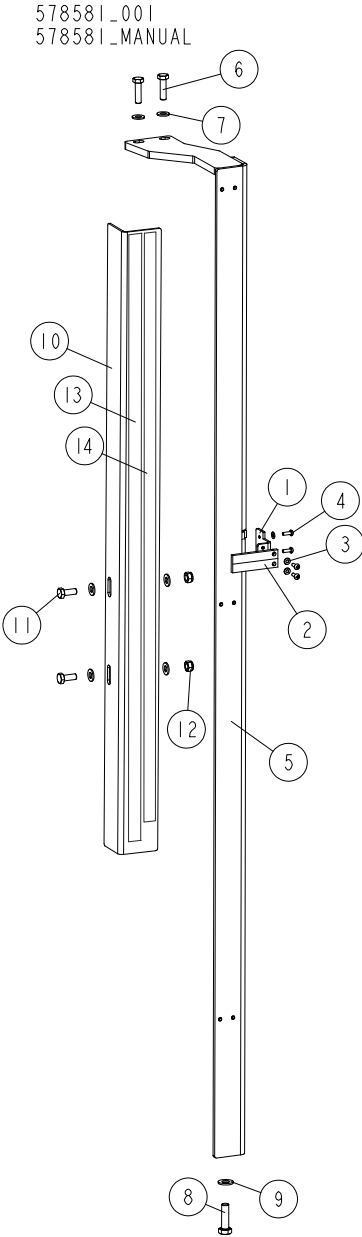


REF	DESCRIPTION (◆ indicates parts available in assemblies only)	PART #	QTY
	ROLLER ASSEMBLY, INSIDE UP/DOWN	089456	2
1	Shaft, Inside Up/Down Roller	088817-1	1
2	ROLLER, CBK-468	088433	1
3	Ring, Z30 Spring Retaining	F81090-23	1
4	WASHER, 13 FLAT ZINC	F81056-1	2
5	Bolt, M12x25-8.8 Hex Head Full Thread Zinc	F81004-31	2
	ROLLER ASSEMBLY, OUTSIDE UP/DOWN	089454	2
6	Shaft, Long Up/Down Roller	088815-1	1
7	ROLLER, CBK-468	088433	2
8	Ring, Z30 Spring Retaining	F81090-23	2
9	WASHER, 10.5 FLAT ZINC	F81055-1	22
10	BOLT, M10X35-8.8 HEX HEAD FULL THREAD ZIN	F81003-17	10
	ROLLER ASSEMBLY, SHORT UP/DOWN	089455	2
11	Shaft, Short Up/Down Roller	088816-1	1
12	ROLLER, CBK-468	088433	1
13	Ring, Z30 Spring Retaining	F81090-23	1
14	NUT, M10-04-W HEX ZINC THIN	F81033-6	4
15	SCREW, GN 913.3-M10-40-MS SET	F81003-65	4
16	COVER WELDMENT, UP/DOWN ROLLER	507056-1	1

6**Up/Down System***Up/Down Rollers & Covers*

17	BOLT, M8X16 -8.8-B HEX HEAD FULL THREAD	F81002-20	4	
18	WASHER, 8.4 FLAT ZINC	F81054-1	13	
19	GUARD WELDMENT, RA-08 UP/DOWN GEAR BOX SIDE	091319-1	1	
20	BOLT, M8X12-8.8 HEX HEAD FULL THREAD ZINC	F81002-6	9	
21	ANGLE, MAST TUBE STAINLESS	088492	4	
22	BOLT, M10X125 8.8 HEX HEAD ZINC	F81003-18	2	
23	NUT, M10-8-B HEX NYLON ZINC LOCK	F81033-1	6	
24	GUARD, UP/DOWN MOTOR PAINTED	090501-1	1	
25	BOLT, M10X30-8.8 HEX HEAD FULL THREAD ZI	F81003-2	4	
26	SPACER, ROLLER ASSEMBLY, SHORT UP/DOWN	510616	-	

6.2 Blade Height Scale

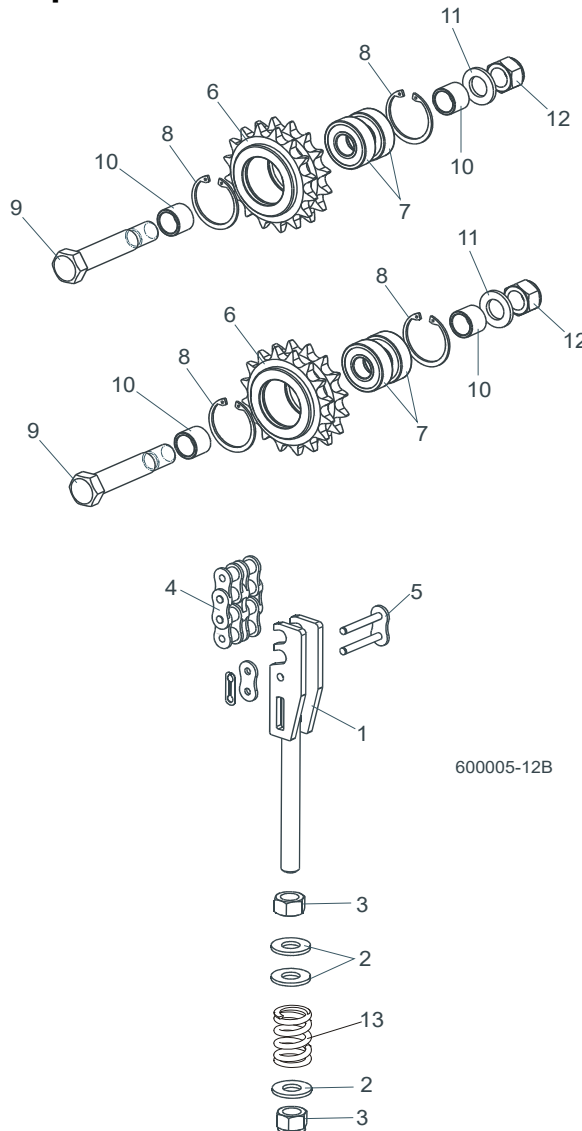


REF	DESCRIPTION (◆ indicates parts available in assemblies only)	PART #	QTY	
-	INDICATOR ASSEMBLY, SCALE	578581	1	
1	MOUNT WELDMENT, SCALE PAINTED	088558-1	1	
2	INDICATOR, BLADE HEIGHT SCALE	094821	1	
3	WASHER, 4.3 FLAT ZINC	F81051-2	4	
4	SCREW, M4X12 5,8-B CROSS RECESSED PAN HE	F81011-43	4	
5	MOUNT WELDMENT, SCALE PAINTED	088554-1	1	
6	BOLT, M8 X 30-8.8-B HEX HEAD FULL THREAD	F81002-7	2	
7	WASHER, 8.4 FLAT ZINC	F81054-1	6	
8	BOLT, M10X35-8.8 HEX HEAD FULL THREAD ZIN	F81003-17	1	
9	WASHER, 10.5 FLAT ZINC	F81055-1	1	
10	ANGLE, SCALE MOUNT	088785-1	1	
11	BOLT, M8X20 8.8 HEX HEAD FULL THREAD ZIN	F81002-4	2	

6**Up/Down System***Blade Height Scale*

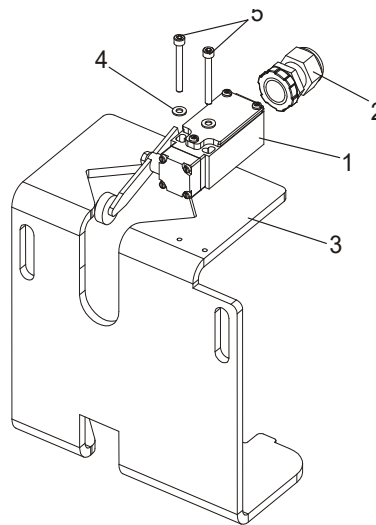
REF	DESCRIPTION (◆ indicates parts available in assemblies only)	PART #	QTY	
12	NUT, M8-8-B HEX NYLON ZINC LOCK	F81032-2	2	
13	DECAL, METRIC	S11711	1	
14	DECAL, METRIC 16-40MM	P12040-1	1	

6.3 Up/Down Chain & Sprockets

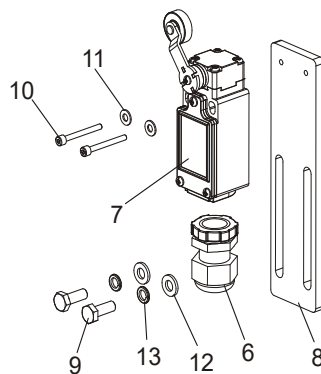


REF	DESCRIPTION (◆ indicates parts available in assemblies only)	PART #	QTY
1	TENSIONER WELDMENT, UP/DOWN CHAIN ZINC	512181-1	1
2	WASHER, 13 FLAT ZINC	F81056-1	3
3	NUT, M12 8 HEX NYLON ZINC LOCK	F81034-2	2
4	CHAIN, 12B-2 97-LINK	512197	1
5	LINK, 12B-2Pz MASTER	099249	1
	SPROCKET ASSEMBLY, UP/DOWN IDLER	512180	2
6	Sprocket, Zinc-Plated	512179-1	1
7	Bearing, 6203-2RS FLT Rolling	086114	2
8	Ring, W40 Spring Retaining	F81090-3	2
9	Bolt, M16D1F6 x 90-8.8 Hex Fit Short Thread Zinc	F81006-15	1
10	Spacer, Idler Zinc	088792-1	2
11	WASHER, 17 SPLIT LOCK ZINC	F81058-1	1
12	Nut, M16-8 Hex Nylon Zinc Lock	F81036-2	1
13	Spring, 14x30x3.2	090797	1

6.4 Safety Switches



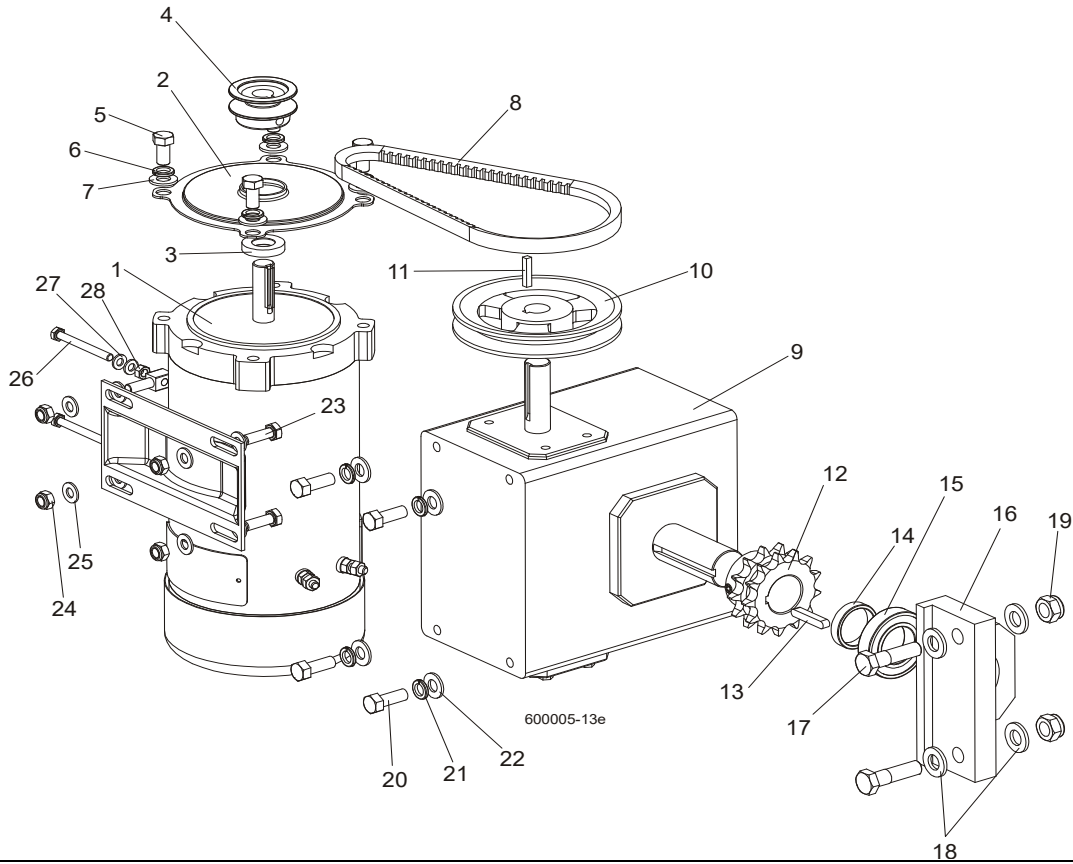
600045B



REF	DESCRIPTION (◆ indicates parts available in assemblies only)	PART #	QTY
1	SWITCH, GLCB01A2B SAFETY	086469	2
2	GLAND, ST PG 13.5 GREY CABLE	086524	2
3	SUPPORT, POWER CORD BRACKET	090460-1 ¹	1
4	WASHER, 4.3 FLAT ZINC	F81051-2	4
5	SCREW, M4X35 8.8 HEX SOCKET HEAD CAP ZIN	F81011-34	4
	SWITCH ASSEMBLY, LT70 SAFETY LOWER	505711	1
6	GLAND, ST PG 13.5 GREY CABLE	086524	1
7	SWITCH, FA138 Z11 LIMIT	100931	1
8	BAR, LIMIT SWITCH MOUNT	505125-1	1
9	BOLT M6X16 HH ZC FT 8.8 DIN 933	F81001-15	2
10	SCREW, M3X30 8.8 HEX SOCKET HEAD CAP ZINC	F81011-38	2
11	WASHER, 4.3 FLAT ZINC	F81051-2	2
12	WASHER, 6.4 FLAT ZINC	F81053-1	2
13	WASHER, Z 6.1 SPLIT LOCK	F81053-3	2

¹ LT70DC version only

6.5 Up/Down Drive Assembly



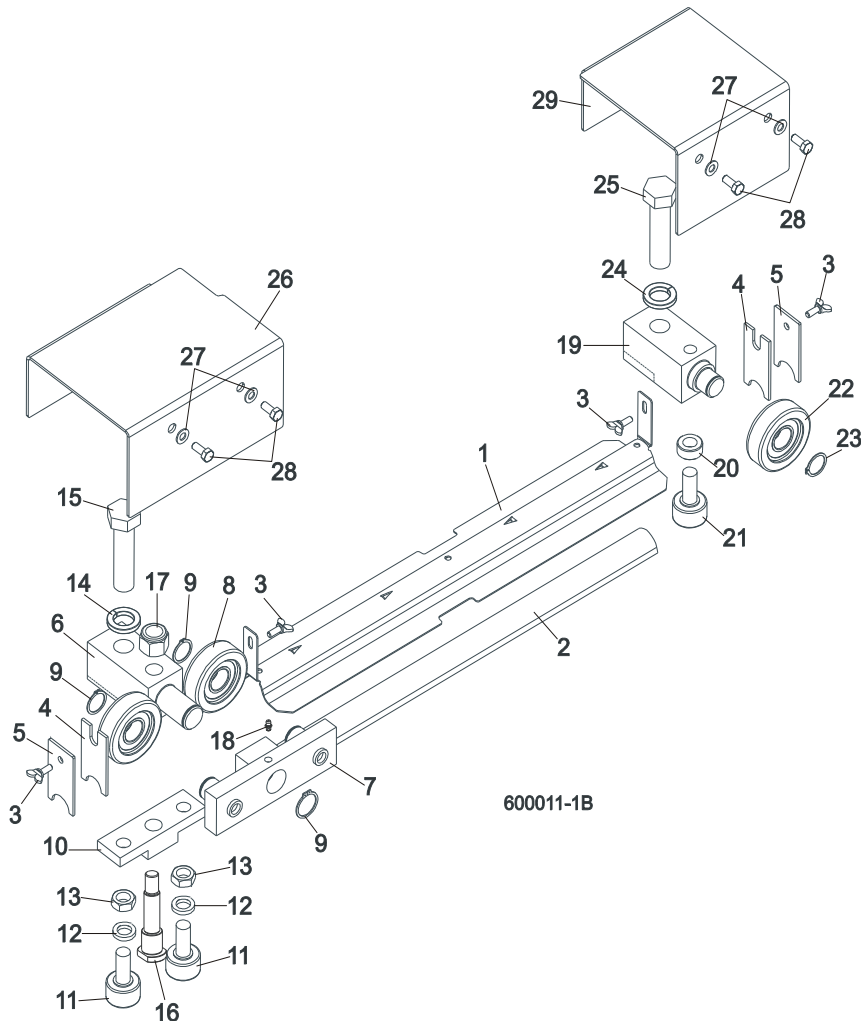
REF.	DESCRIPTION (◆ Indicates Parts Available In Assemblies Only)	PART #	QTY
	UP/DOWN DRIVE ASSEMBLY, COMPLETE	092812	1
	Motor W/Mount Bracket, DC Up/Down	092810	1
1	Motor, 3/4HP 12VDC	015174	1
2	Cover, Up/Down Motor	034475	1
3	Seal, CR6315	034501	1
4	Pulley, AK20 x 5/8" Bore	036179	1
5	Bolt, 3/8-16 x 3/4" Hex Head	F05007-27	4
6	Washer, 10.2 Split Zinc Lock	F81055-2	4
7	Washer, 10.5 Zinc Flat	F81055-1	4
8	V-Belt AVX13x600La (Conti)	092813	1
	Gear Box, Complete, Up/Down Drive	092807	1
9	Gear Box, B226-60-2-1L	034908	1
10	Pulley, AK51 x 3/4" Bore	015256	1
11	Key, 3/16" Square x 1" Long	S31027	1
12	Sprocket	512580-1	1
13	Key, A 1/4"x1/4"x1,5"	092814	1
14	Spacer, Zinc-Plated	092811-1	1
15	Bearing, R20-2RS	036007	1
16	Housing, Bearing R20-2RS	092809-1	1
17	Bolt, M12x45-8.8 Hex Head Zinc	F81004-32	2
18	Washer, 13 SAE Flat	F81056-1	4
19	Nut, M12-8 Hex Nylon Lock	F81034-2	2
20	Bolt, 3/8-16 x 1" Hex Head	F05007-7	4

6**Up/Down System***Up/Down Drive Assembly*

21	Washer, 10.2 Split Zinc Lock	F81055-2	4	
22	Washer, 10.5 Zinc Flat	F81055-1	4	
23	Bolt, M8x25-8.8-B Hex Head Full Thread Zinc	F81002-5	2	
24	Nut, M8-8-B Hex Nylon Zinc Lock	F81032-2	4	
25	Washer, 8.4 Flat	F81054-1	8	
26	Bolt, M6x60-8.8 Hex Head Full Thread Zinc	F81001-9	2	
27	Washer 6.4 Zinc Flat	F81053-1	4	
28	Nut, M6-8 Hex Zinc	F81031-1	2	

SECTION 7 FEED SYSTEM & TRACK ROLLERS

7.1 Upper Track Rollers And Wipers



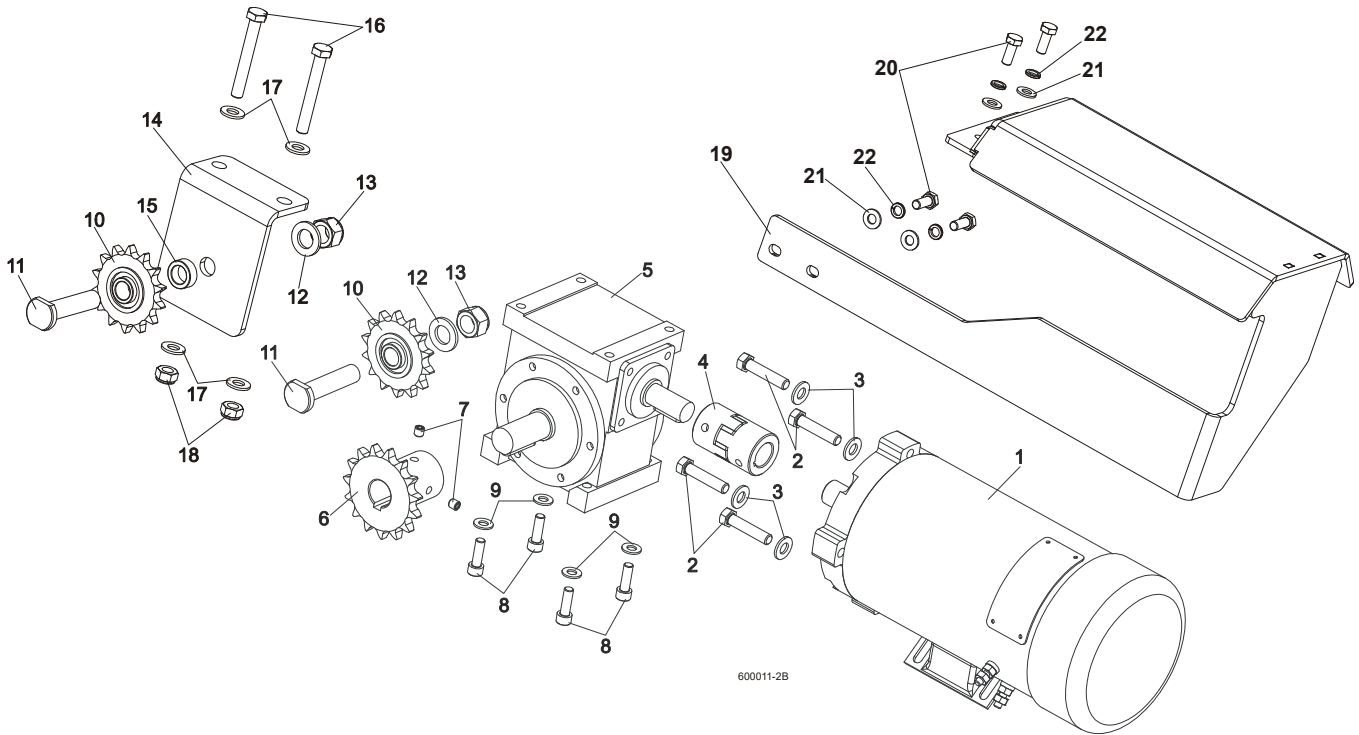
REF	DESCRIPTION (◆ indicates parts available in assemblies only)	PART #	QTY
1	COVER, LT40/70 MIDDLE TRACK - SERVICE	522292-S	1
	Cover, LT40/70 Middle Track	522292-1	1
2	Strip, 3/16 X 2 X 23 Felt	S09915	1
3	SCREW, M6X20 DIN 316 WING	F81001-58	4
4	WIPER, TOP RAIL	M04113	2
5	PLATE, TRACK WIPER	088559-1	2
	ROLLER ASSEMBLY, UPPER TANDEM TRACK	088530	1
6	Block, Tandem Roller Mount	088532	1
7	Block Assembly, Tandem Roller	088535	1
8	ROLLER, CBK-468	088433	2
9	Ring, Z30 Spring Retaining	F81090-23	2
10	Block, Cam Follower Mount	088520	1
11	Bearing, Cam Follower (McGill)	012797	2
12	Washer, 16.3 Split Zinc Lock	F81058-2	2
13	Nut, 5/8"-18 Zinc	F05010-11	2
14	Washer, Z24.5 Split Zinc Lock	F81061-4	1

7 Feed System & Track Rollers

Upper Track Rollers And Wipers

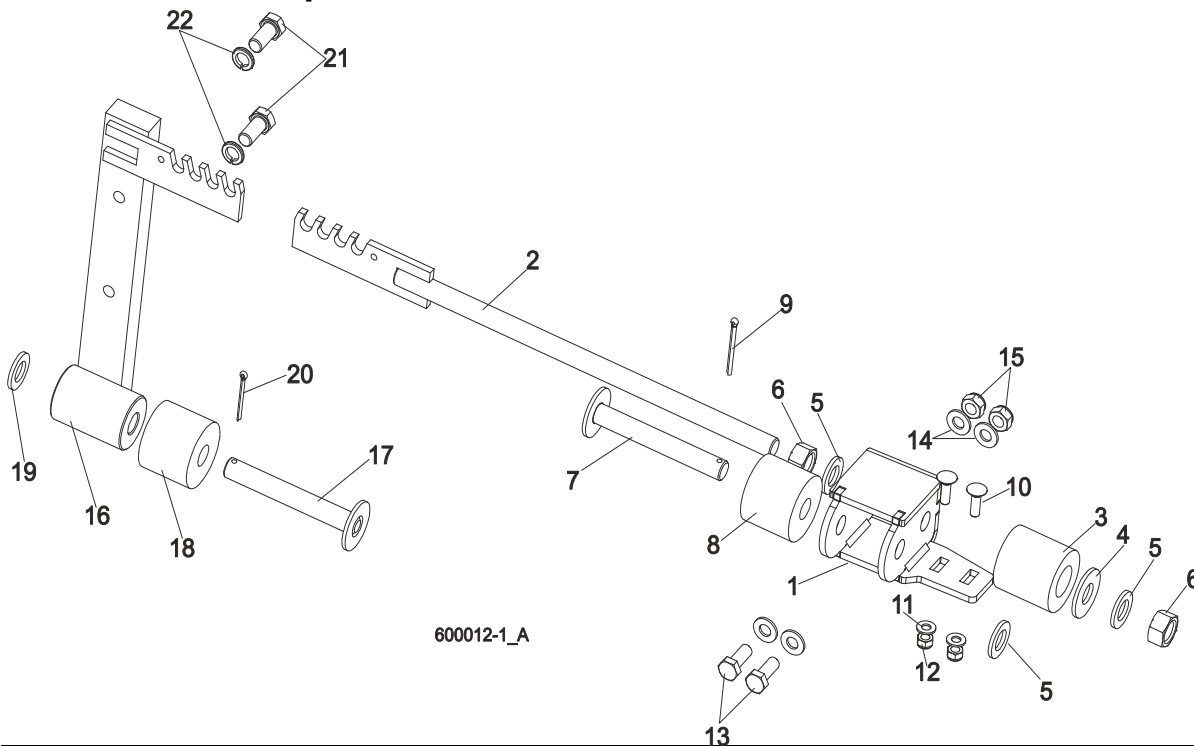
15	BOLT, M24X2X90-8.8 HEX HEAD FULL THREAD	F81009-2	1	
16	Pin, Cam Follower Mount	088531	1	
17	Nut, M16-8 Hex Nylon Zinc Lock	F81036-2	1	
18	FITTING, M6 GREASE	086280	1	
	ROLLER ASSEMBLY, REAR UPPER TRACK	088529	1	
19	Block, Rear Upper Roller Mount	088528	1	
20	Spacer, Cam Follower	088536	1	
21	Bearing, Cam Follower (McGill)	012797	1	
22	Roller, CBK-468	088433	1	
23	Ring, Z30 Spring Retaining	F81090-23	1	
24	Washer, Z24.5 Split Zinc Lock	F81061-4	1	
25	Bolt, M24x2x90-8.8 Hex Head Full Thread Zinc	F81009-2	1	
26	COVER, TANDEM ROLLER	088526-1	1	
27	WASHER, 6.4 FLAT ZINC	F81053-1	4	
28	BOLT M6X16 HH ZC FT 8.8 DIN 933	F81001-15	4	
29	COVER, REAR UPPER ROLLER	088527-1	1	

7.2 Power Feed Assembly



REF.	DESCRIPTION (◆ Indicates Parts Available In Assemblies Only)	PART #	QTY
1	MOTOR, 12V, 0.75KM LEESON	024169	1
2	BOLT, 3/8-16x1 3/4 HEX HEAD FULL THREAD	F05007-19	4
3	WASHER, 10.5 ZINC FLAT	F81055-1	4
4	COUPLING, SPIDEX 19/ 5/8" b/b ST 92Sh	090786	1
5	GEAR BOX, RA-05/7,5/D1/S+N/B8 W/OUTPUT SHAFT	100934	1
6	SPROCKET, 10B Z15 ZINC	088541-1	1
7	SCREW, M8x8-33H HEX SOCKET SET FLAT POINT ZINC	F81014-1	2
8	SCREW, M8x25 -8.8 HEX SOCKET HEAD CAP ZINC	F81002-21	4
9	WASHER, 8.4 ZINC FLAT	F81054-1	4
10	SPROCKET, KSR 16.L0.10.10.14.08 W/BEARING	088867	2
11	PIN, ZINC SPROCKET MOUNT	088994-1	2
12	WASHER, 17 ZINC FLAT	F81058-1	2
13	NUT, M16-8 HEX NYLON ZINC LOCK	F81036-2	2
14	BRACKET, POWER FEED SPROCKET MOUNT	088507-1	1
15	SPACER, POWER FEED SPROCKET	088550-1	1
16	BOLT, M10x75-8.8 HEX HEAD ZINC	F81003-15	2
17	WASHER, 10.5 ZINC FLAT	F81055-1	4
18	NUT, M10-8-B HEX NYLON ZINC LOCK	F81033-1	2
	GUARD, LT70DC POWER FEED MOTOR COMPLETE	504655	1
19	GUARD, LT70DC POWER FEED MOTOR	504656-1	1
20	BOLT, M10x25-8.8 HEX HEAD FULL THREAD ZINC	F81003-11	4
21	WASHER, 10.5 ZINC FLAT	F81055-1	4
22	WASHER, 10.2 SPLIT LOCK ZINC	F81055-2	4

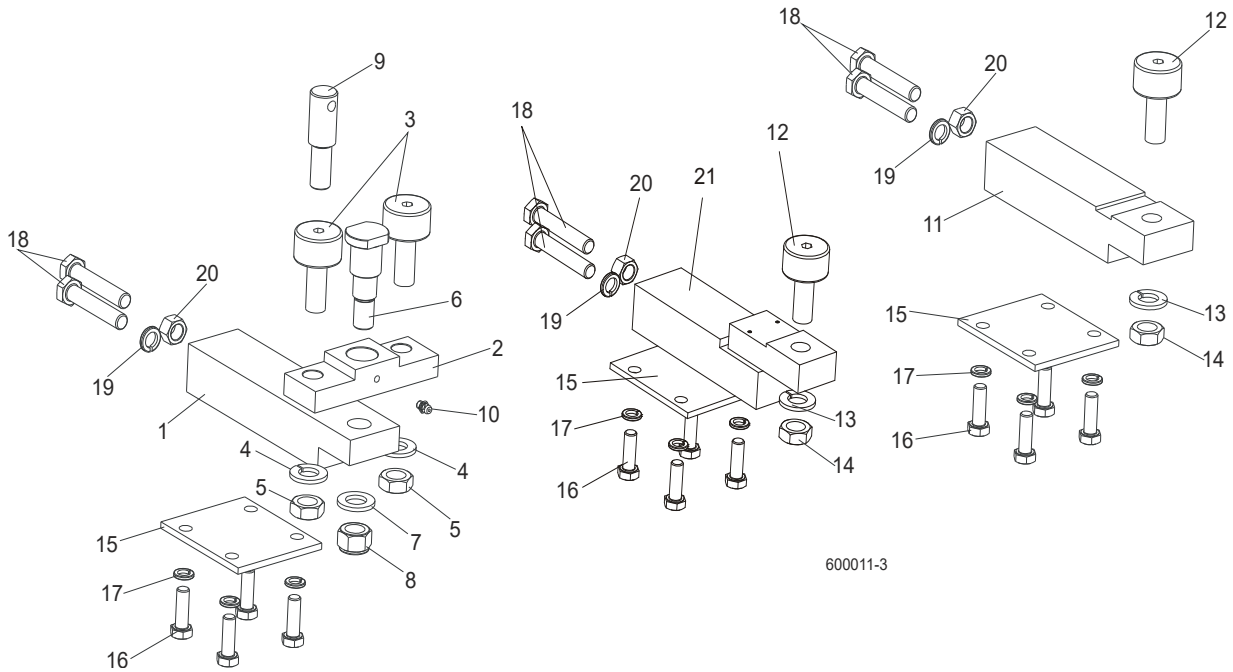
7.3 Feed Chain/Stop



600012-1_A

REF	DESCRIPTION (◆ indicates parts available in assemblies only)	PART #	QTY
1	MOUNT WELDMENT, FRONT CARRIAGE STOP	546123-1	1
2	TENSIONER, POWER FEED CHAIN ZINC-PLATED	089364-1	1
3	SPRING, TENSIONER BLADE LT15	014828	1
4	WASHER, 17/40-3 ZINC-PLATED	089360-1	1
5	WASHER, 17 SPLIT LOCK ZINC	F81058-1	3
6	NUT, M16-5.8 HEX ZINC	F81036-1	2
7	PIN, 16X117 W/PLATE	089361-1	1
8	BUSHING, 11/16X2 1/8X1 3/4 RUBBER	P12165	1
9	PIN, S-Zn 4x25 COTTER	F81043-2	1
10	BOLT, M8X25-8.8 ZINC MUSHROOM HEAD SQUAR	F81002-59	2
11	WASHER, 8.4 FLAT ZINC	F81054-1	2
12	NUT, M8-8-B HEX NYLON ZINC LOCK	F81032-2	2
13	BOLT, M10X25 8.8 HEX HEAD FULL THREAD	F81003-31	2
14	WASHER, 10.5 FLAT ZINC	F81055-1	4
15	NUT, M10-8-B HEX NYLON ZINC LOCK	F81033-1	2
	STOP ASSEMBLY, REAR POWER FEED	089362	1
16	Stop Weldment, Rear Power Feed	088346-1	1
17	PIN, 16X117 W/PLATE	089361-1	1
18	BUSHING, 11/16X2 1/8X1 3/4 RUBBER	P12165	1
19	WASHER, 17 SPLIT LOCK ZINC	F81058-1	1
20	Pin, S-Zn 4x25 Cotter	F81043-2	1
21	BOLT, M12X25-8.8 HEX HEAD FULL THREAD ZINC	F81004-31	2
22	WASHER, 13 FLAT ZINC	F81056-1	2
	CHAIN, 10B-1 POWER FEED	088670	1
	CHAIN 10B-1 (0,9m)	506516	1
	LINK, 10B-1PZ MASTER	088671	2

7.4 Lower Track Rollers

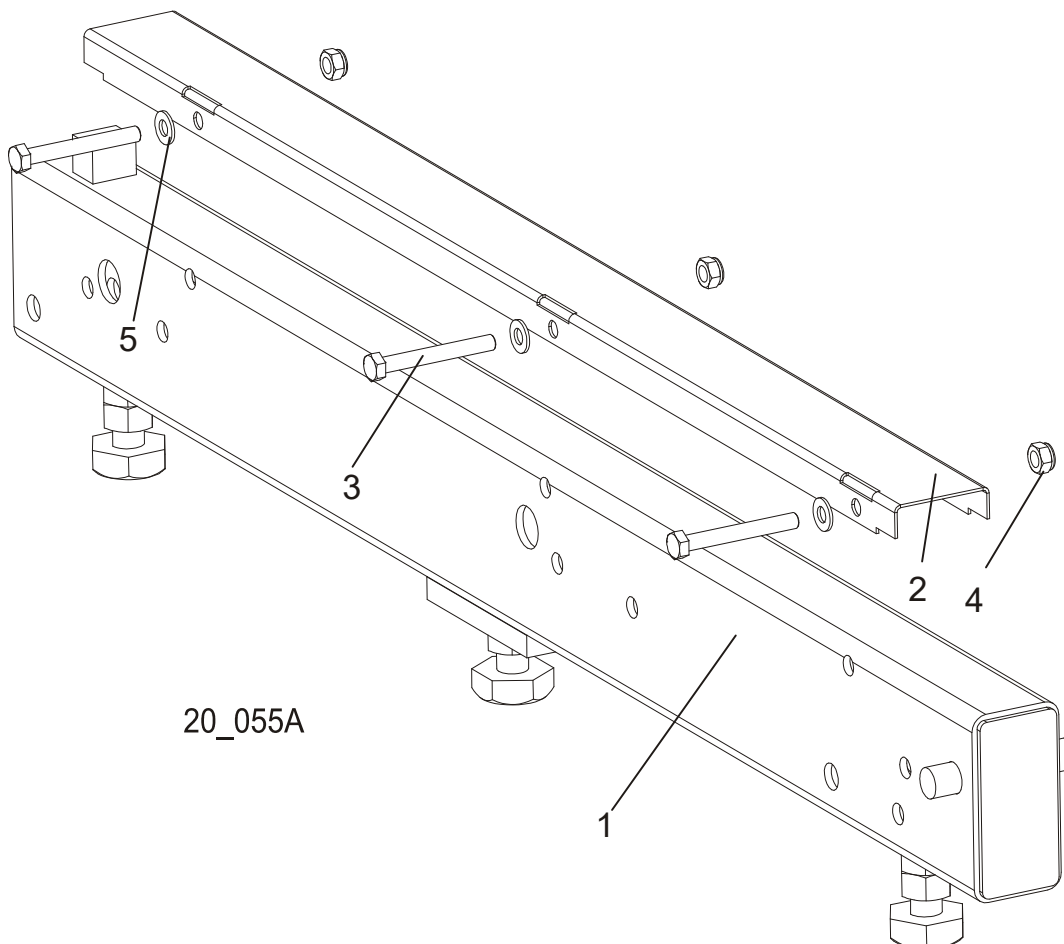


600011-3

REF	DESCRIPTION (◆ indicates parts available in assemblies only)	PART #	QTY
	BLOCK ASSEMBLY, VERTICAL MAST ALIGNMENT DOUBLE	088523	1
1	Block, Vertical Mast Alignment Double	088517	1
2	Block, Cam Follower Mount	088520	1
3	Bearing, Cam Follower (McGill)	012797	2
4	Washer, 16.3 Split Zinc Lock	F81058-2	2
5	Nut, 5/8"-18 Zinc	F05010-11	2
6	Pin, Cam Follower Mount	088521	1
7	WASHER, 17 SPLIT LOCK ZINC	F81058-1	1
8	Nut, M16-8 Hex Nylon Zinc Lock	F81036-2	1
9	Pin, Safety Lock	088519	1
10	FITTING, M6 GREASE	086280	1
	BLOCK ASSEMBLY, VERTICAL MAST ALIGNMENT SINGLE	088524	1
11	Block, Vertical Mast Alignment Single	088518	1
12	Bearing, Cam Follower (McGill)	012797	1
13	Washer, 16.3 Split Zinc Lock	F81058-2	1
14	Nut, 5/8"-18 Zinc	F05010-11	1
15	PLATE, LOWER TRACK ROLLER RETAINER	088516	3
16	BOLT, M10X30-8.8 HEX HEAD FULL THREAD ZI	F81003-2	12
17	WASHER, Z 10.2 SPLIT LOCK ZINC	F81055-2	12
18	BOLT, M12X1.25X65-8.8 HEX HEAD FULL THREAD ZINC	F81004-40	6
19	WASHER, Z12.2 SPLIT LOCK ZINC	F81056-2	3
20	NUT, M12X1.25-8 ZINC HEX	F81034-8	3
21	BLOCK WELDMENT, LOWER TRACK ROLLER MOUNT	091425	1

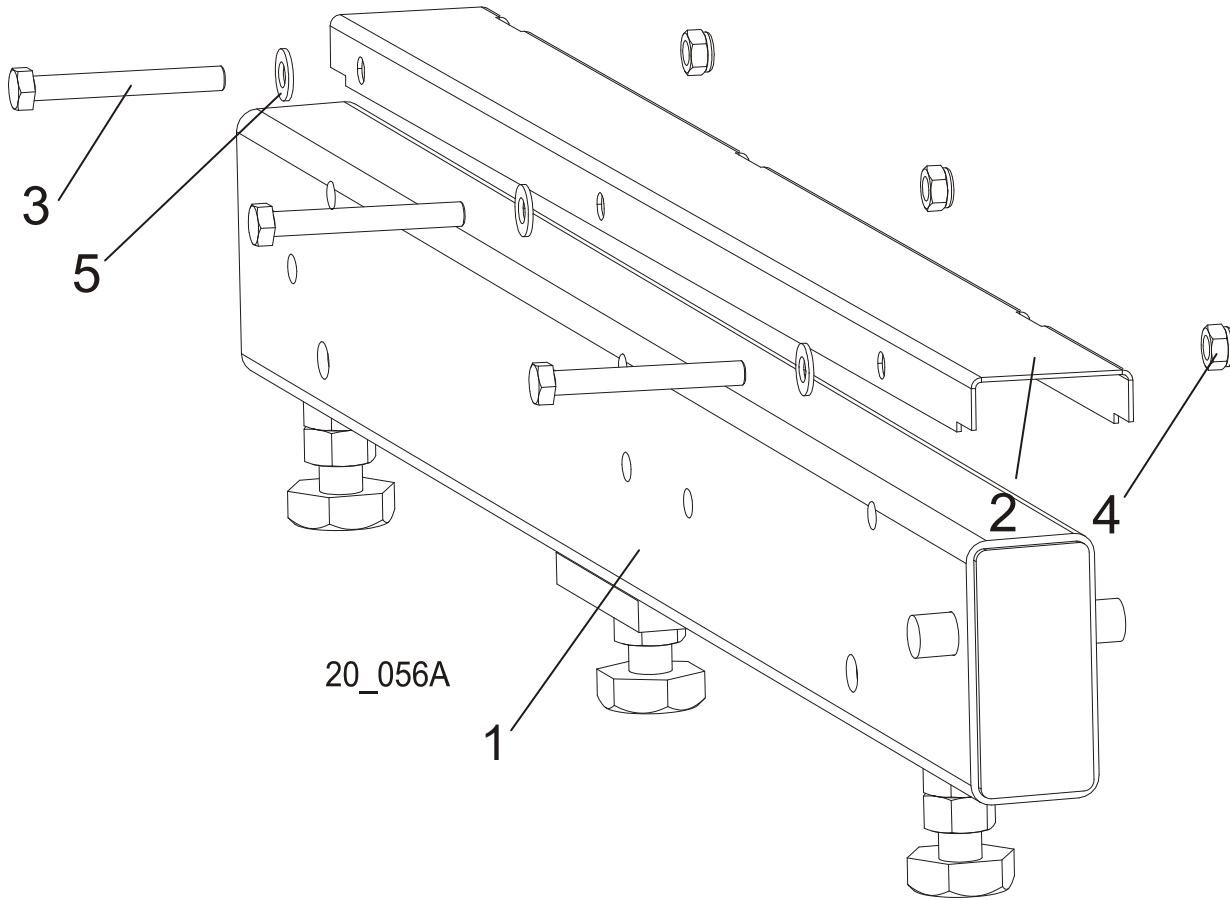
SECTION 8 BED FRAME ASSEMBLY

8.1 Bed Rail Assembly (L Type Frame)



REF	DESCRIPTION (◆ indicates parts available in assemblies only)	PART #	QTY
1	RAIL, ADJUSTABLE BED	089385	1
2	COVER, BED RAIL	099124	1
3	BOLT, M8X65 5.8 HEX HEAD ZINC	F81002-3	3
4	NUT, M8-8-B HEX NYLON ZINC LOCK	F81032-2	3
5	WASHER, 8.4 FLAT ZINC	F81054-1	3

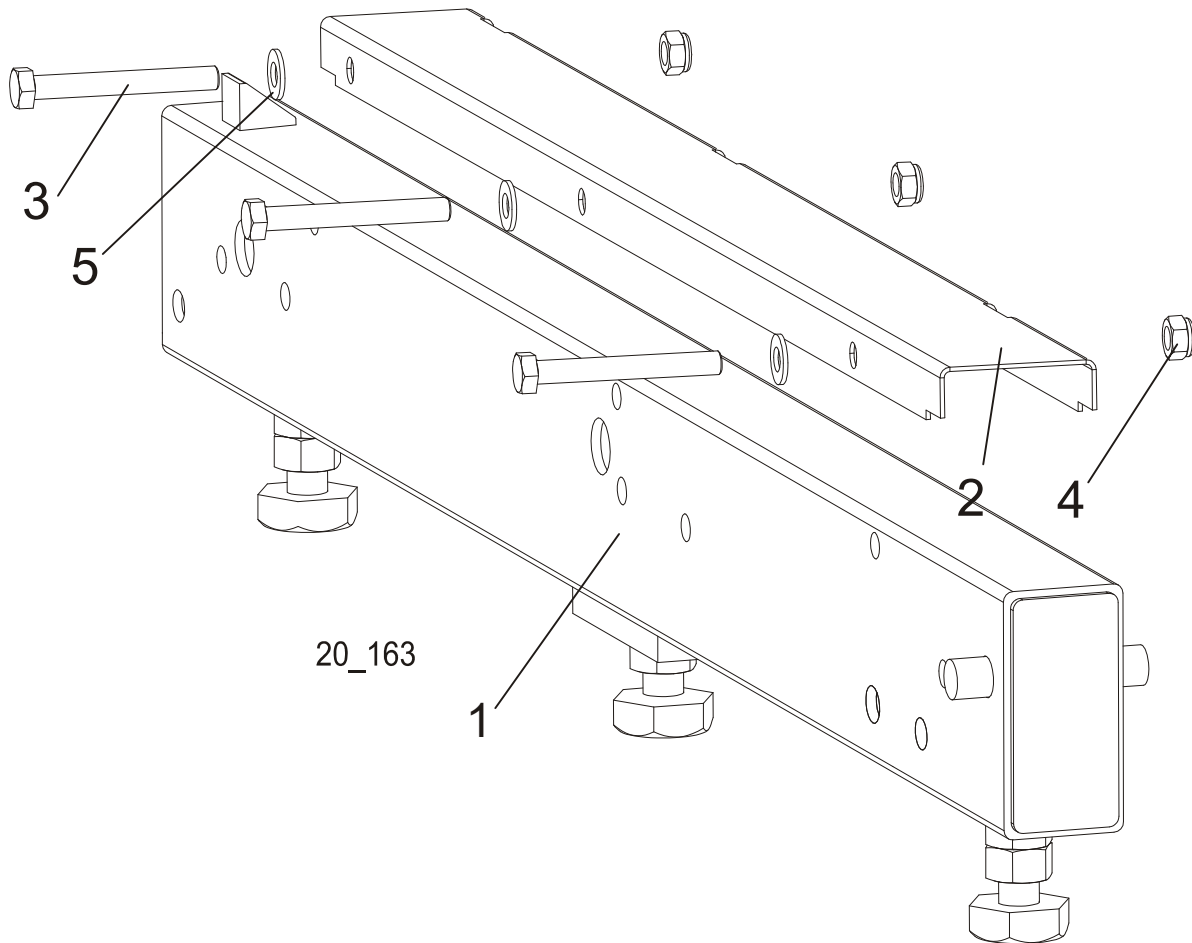
8.2 Bed Rail Assembly (L Type Frame)



REF	DESCRIPTION (◆ indicates parts available in assemblies only)	PART #	QTY
1	RAIL WELDMENT, ADJUSTABLE SHORT BED	089386	1
2	COVER, BED RAIL	099124	1
3	BOLT, M8X65 5.8 HEX HEAD ZINC	F81002-3	3
4	NUT, M8-8-B HEX NYLON ZINC LOCK	F81032-2	3
5	WASHER, 8.4 FLAT ZINC	F81054-1	3

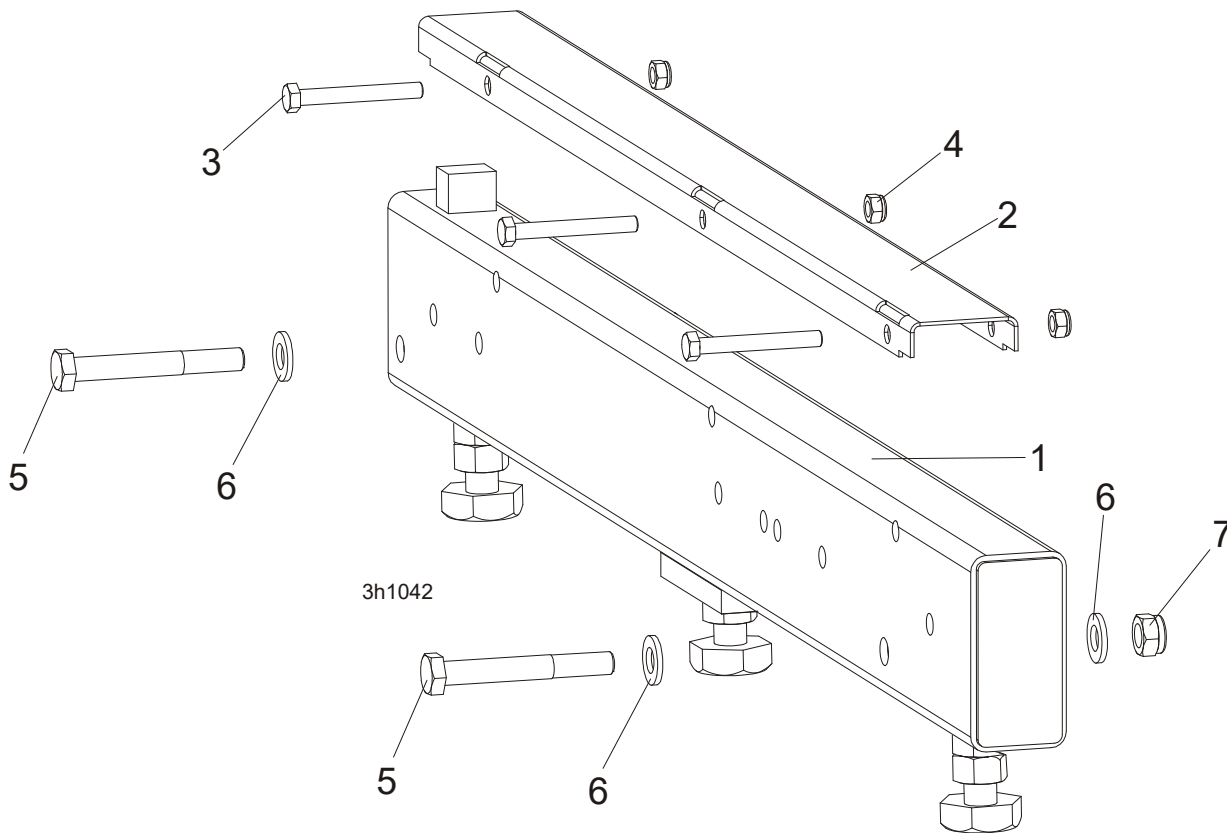
8 **BED FRAME ASSEMBLY**
Bed Rail Assembly (L Type Frame)

8.3 Bed Rail Assembly (L Type Frame)



REF	DESCRIPTION (◆ indicates parts available in assemblies only)	PART #	QTY
1	RAIL, 1 RAY "L" BED	100680	1
2	COVER, BED RAIL	099124	1
3	BOLT, M8X65 5.8 HEX HEAD ZINC	F81002-3	3
4	NUT, M8-8-B HEX NYLON ZINC LOCK	F81032-2	3
5	WASHER, 8.4 FLAT ZINC	F81054-1	3

8.4 Bed Rail Assembly (L Type Frame)



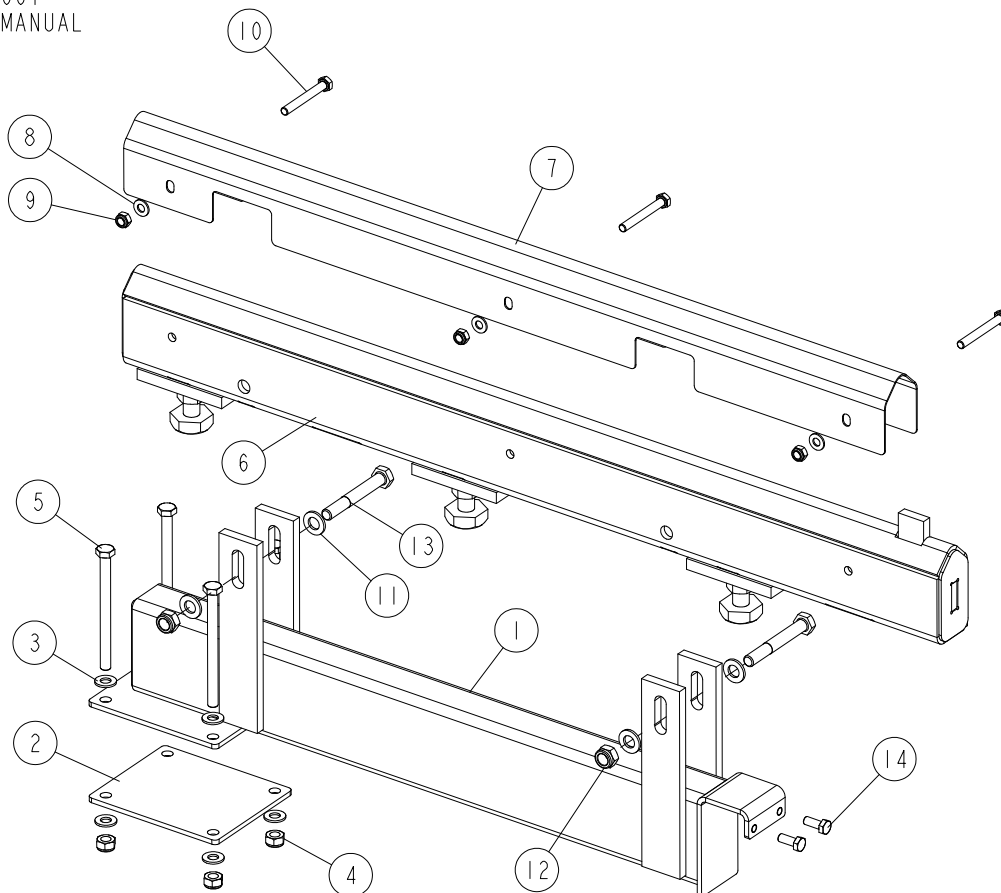
REF	DESCRIPTION (◆ indicates parts available in assemblies only)	PART #	QTY
1	BED RAILS FOR "M" PORTABLE FRAME	096993	1
2	COVER, BED RAIL	099124	1
3	BOLT, M8X65 5.8 HEX HEAD ZINC	F81002-3	3
4	NUT, M8-8-B HEX NYLON ZINC LOCK	F81032-2	3
5	BOLT, M12x90-8.8 HEX HEAD ZINC	F81004-2	2
6	WASHER, 13 FLAT ZINC	F81056-1	4
7	NUT, M12 8 HEX NYLON ZINC LOCK	F81034-2	2

8 BED FRAME ASSEMBLY

Additional Angled Bed Rail (Long) - Complete

8.5 Additional Angled Bed Rail (Long) - Complete

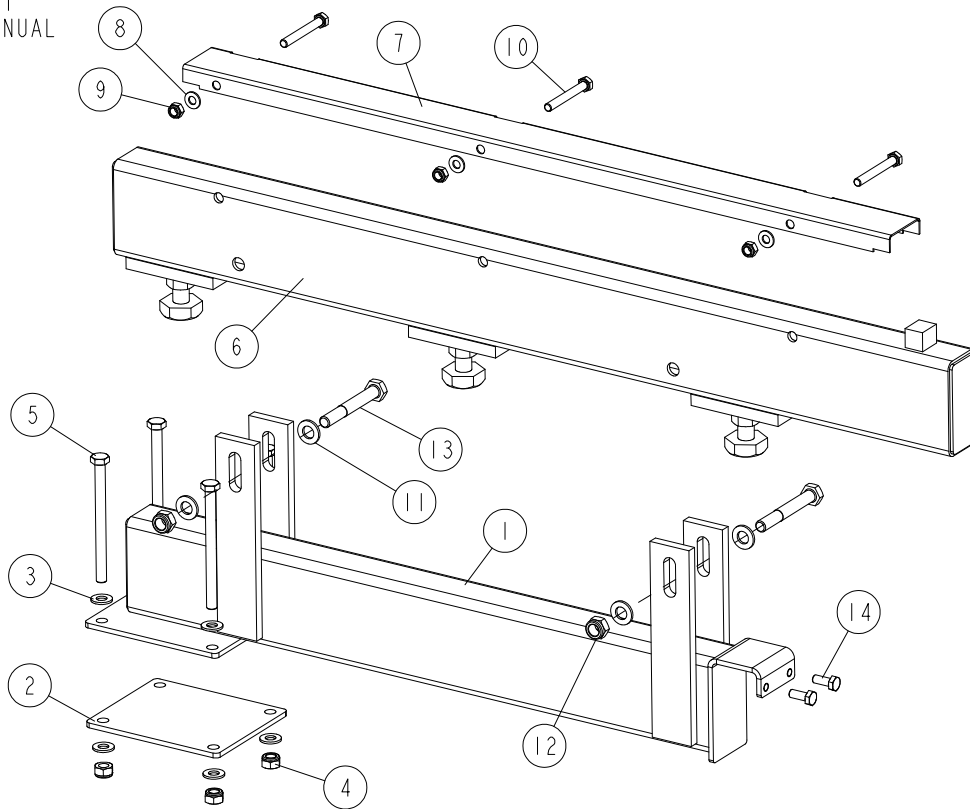
545592_001
545592_MANUAL



REF.	DESCRIPTION (◆ Indicates Parts Available in Assemblies Only)	PART #	QTY
-	ADDITIONAL ANGLED BED RAIL (LONG) - COMPLETE	545592	1
1	SUPPORT, ADDITIONAL BED RAIL	545591-1	1
2	PLATE, MOUNT	087055-1	1
3	WASHER, 10.5 FLAT ZINC	F81055-1	8
4	NUT, M10-8-B HEX NYLON ZINC LOCK	F81033-1	4
5	BOLT, M10X125 8.8 HEX HEAD ZINC	F81003-18	4
6	TUBE, ADDITIONAL BED RAIL	545589-1	1
7	COVER, ADDITIONAL BED RAIL	545594	1
8	WASHER, 8.4 FLAT ZINC F81054-1 16	F81054-1	3
9	NUT, M8-8-B HEX NYLON ZINC LOCK	F81032-2	3
10	BOLT, M8X65 8.8 HEX HEAD FULL THREAD ZINC	F81002-9	3
11	WASHER, 13 FLAT ZINC	F81056-1	4
12	NUT, M12 8 HEX NYLON ZINC LOCK	F81034-2	2
13	BOLT, M12X90 8.8 HEX HEAD ZINC	F81004-2	2
14	BOLT, M8 X 20-8.8-B HEX HEAD FULL THREAD ZINC	F81002-4	2

8.6 Additional Flat Bed Rail (Long) - Complete

545597_001
 545597_MANUAL



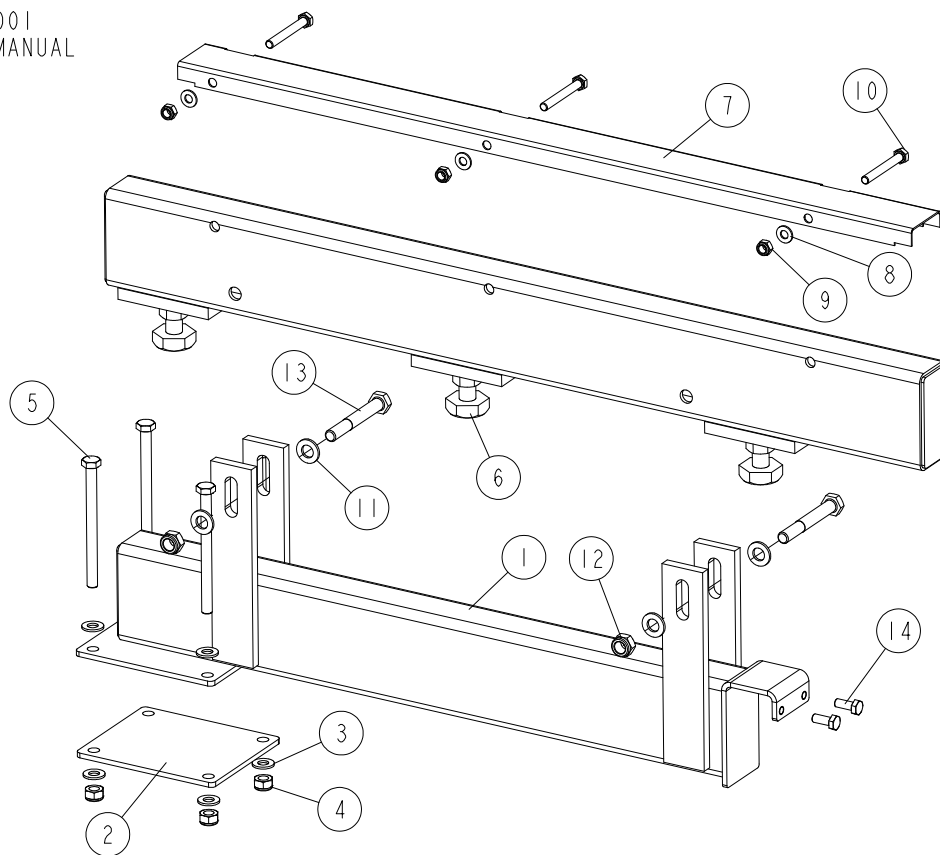
REF.	DESCRIPTION (◆ Indicates Parts Available in Assemblies Only)	PART #	QTY
-	ADDITIONAL FLAT BED RAIL (LONG) - COMPLETE	545597	1
1	SUPPORT, ADDITIONAL BED RAIL	545591-1	1
2	PLATE, MOUNT	087055-1	1
3	WASHER, 10.5 FLAT ZINC	F81055-1	8
4	NUT, M10-8-B HEX NYLON ZINC LOCK	F81033-1	4
5	BOLT, M10X125 8.8 HEX HEAD ZINC	F81003-18	4
6	TUBE, ADDITIONAL BED RAIL	545595-1	1
7	COVER, ADDITIONAL BED RAIL	099124	1
8	WASHER, 8.4 FLAT ZINC F81054-1 16	F81054-1	3
9	NUT, M8-8-B HEX NYLON ZINC LOCK	F81032-2	3
10	BOLT, M8X65 8.8 HEX HEAD FULL THREAD ZINC	F81002-9	3
11	WASHER, 13 FLAT ZINC	F81056-1	4
12	NUT, M12 8 HEX NYLON ZINC LOCK	F81034-2	2
13	BOLT, M12X90 8.8 HEX HEAD ZINC	F81004-2	2
14	BOLT, M8 X 20-8.8-B HEX HEAD FULL THREAD ZINC	F81002-4	2

8 BED FRAME ASSEMBLY

Additional Flat Bed Rail (Short) - Complete

8.7 Additional Flat Bed Rail (Short) - Complete

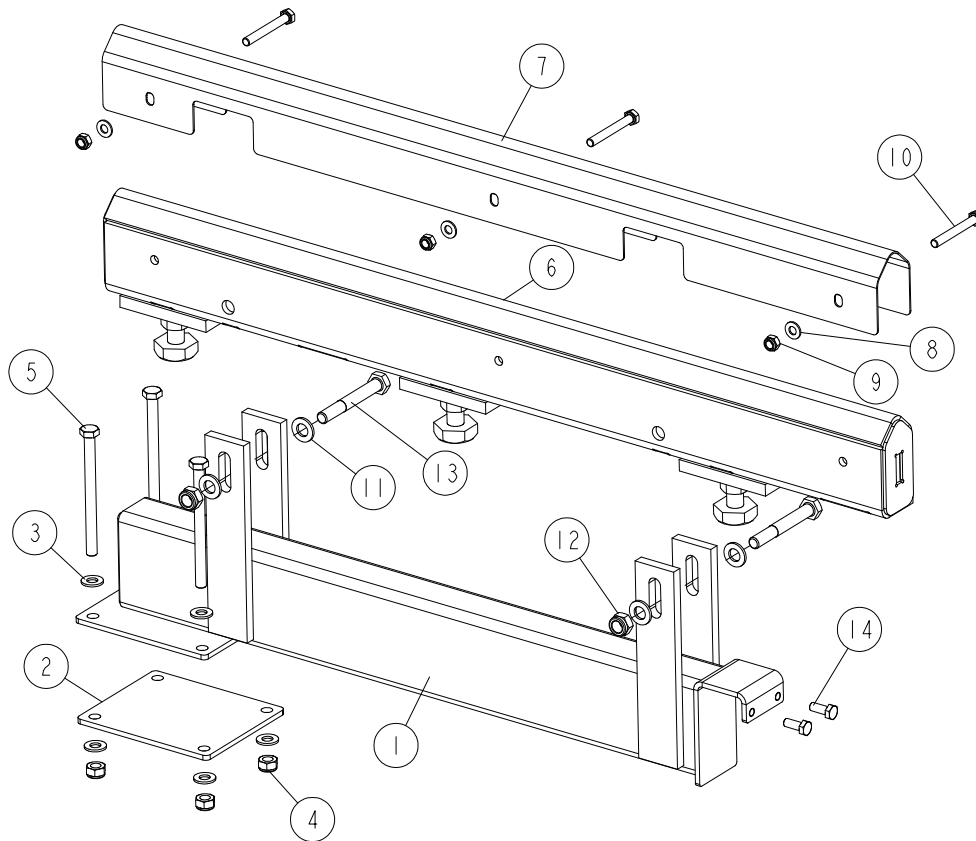
545645_001
545645_MANUAL



REF.	DESCRIPTION (◆ Indicates Parts Available in Assemblies Only)	PART #	QTY
-	ADDITIONAL FLAT BED RAIL (SHORT) - COMPLETE	545645	1
1	SUPPORT, ADDITIONAL BED RAIL	545591-1	1
2	PLATE, MOUNT	087055-1	1
3	WASHER, 10.5 FLAT ZINC	F81055-1	8
4	NUT, M10-8-B HEX NYLON ZINC LOCK	F81033-1	4
5	BOLT, M10X125 8.8 HEX HEAD ZINC	F81003-18	4
6	TUBE, ADDITIONAL BED RAIL	545643-1	1
7	COVER, ADDITIONAL BED RAIL	099124	1
8	WASHER, 8.4 FLAT ZINC F81054-1 16	F81054-1	3
9	NUT, M8-8-B HEX NYLON ZINC LOCK	F81032-2	3
10	BOLT, M8X65 8.8 HEX HEAD FULL THREAD ZINC	F81002-9	3
11	WASHER, 13 FLAT ZINC	F81056-1	4
12	NUT, M12 8 HEX NYLON ZINC LOCK	F81034-2	2
13	BOLT, M12X90 8.8 HEX HEAD ZINC	F81004-2	2
14	BOLT, M8 X 20-8.8-B HEX HEAD FULL THREAD ZINC	F81002-4	2

8.8 Additional Angled Bed Rail (Short) - Complete

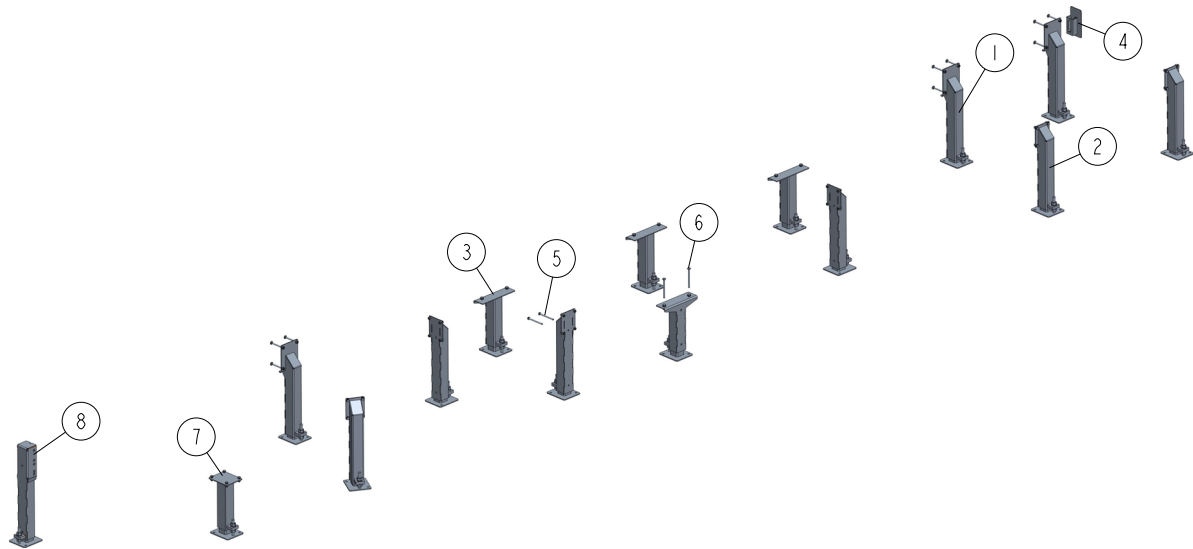
545632_001
545632_MANUAL



REF.	DESCRIPTION (◆ Indicates Parts Available in Assemblies Only)	PART #	QTY
-	ADDITIONAL ANGLED BED RAIL (SHORT) - COMPLETE	545632	1
1	SUPPORT, ADDITIONAL BED RAIL	545591-1	1
2	PLATE, MOUNT	087055-1	1
3	WASHER, 10.5 FLAT ZINC	F81055-1	8
4	NUT, M10-8-B HEX NYLON ZINC LOCK	F81033-1	4
5	BOLT, M10X125 8.8 HEX HEAD ZINC	F81003-18	4
6	TUBE, ADDITIONAL BED RAIL	545630-1	1
7	COVER, ADDITIONAL BED RAIL	545594	1
8	WASHER, 8.4 FLAT ZINC F81054-1 16	F81054-1	3
9	NUT, M8-8-B HEX NYLON ZINC LOCK	F81032-2	3
10	BOLT, M8X65 8.8 HEX HEAD FULL THREAD ZINC	F81002-9	3
11	WASHER, 13 FLAT ZINC	F81056-1	4
12	NUT, M12 8 HEX NYLON ZINC LOCK	F81034-2	2
13	BOLT, M12X90 8.8 HEX HEAD ZINC	F81004-2	2
14	BOLT, M8 X 20-8.8-B HEX HEAD FULL THREAD ZINC	F81002-4	2

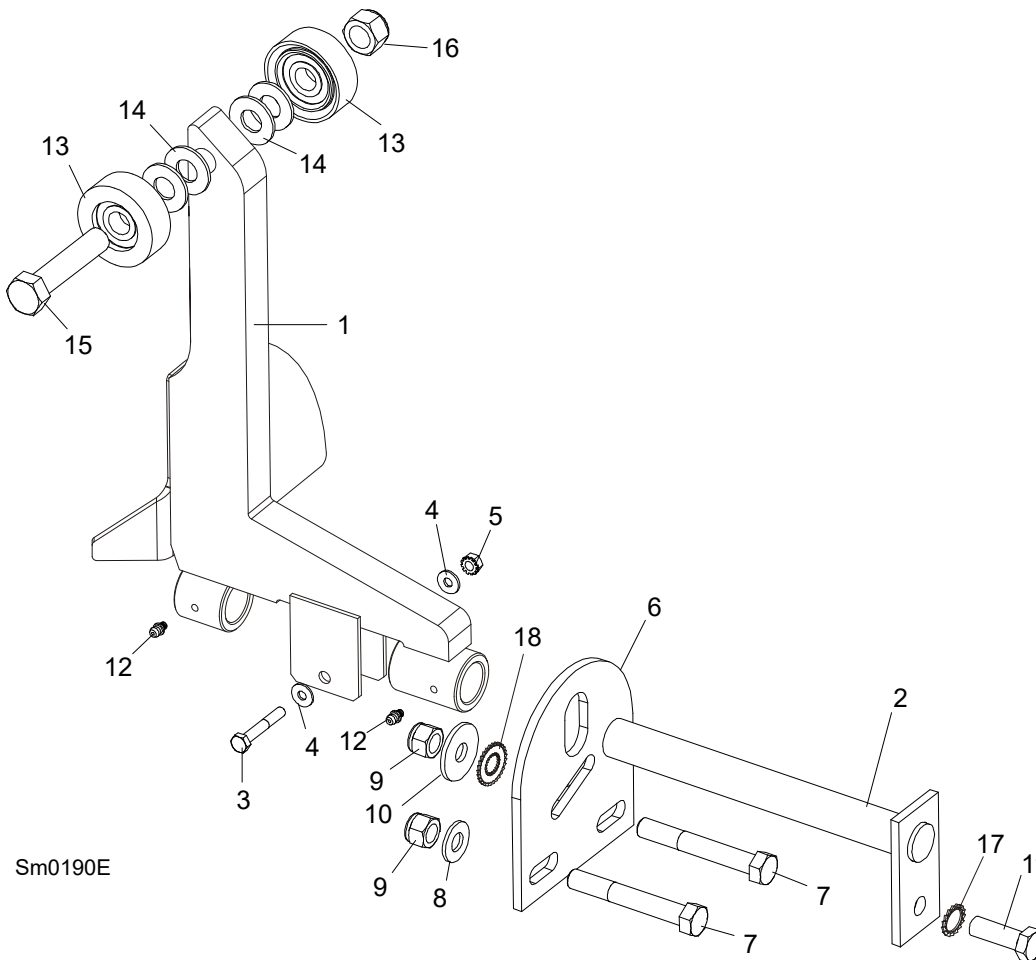
8.9 Stationary Legs

500531_001
 500531



REF	DESCRIPTION (u indicates parts available in assemblies only)	PART #	QTY
-	LEG KIT, "L" FRAME STATIONARY ADJUSTABLE	500531	1
1	LEG, RIGHT ADJUSTABLE STATIONARY	501640	3
2	LEG, LEFT STATIONARY ADJUSTABLE	501639	6
3	LEG, MIDDLE ADJUSTABLE STATIONARY	501637	4
4	COVER ASSEMBLY, MAIN TUBE	093052	1
5	BOLT, M10X125 8.8 HEX HEAD ZINC	F81003-18	2
6	BOLT, M12X130-8.8 HEX HEAD ZINC	F81004-36	2
7	LEG, OUTRIGGER STATIONARY	505766	1
8	LEG, FRONT ADJUSTABLE STATIONARY	589525	1

8.10 Log Side Support (Manual)



Sm0190E

REF.	DESCRIPTION (◆ Indicates Parts Available in Assemblies Only)	PART #	QTY
1	SUPPORT, LOG SIDE W/GUARD	099785-1	1
2	PIN, LOG SIDE SUPPORT ZINC-PL.	091549-1	1
3	BOLT, M8X45-8.8 HEX HEAD FULL THREAD ZINC	F81002-14	1
4	WASHER, 8.4 FLAT ZINC	F81054-1	2
5	NUT, M8-8-B HEX NYLON ZINC LOCK	F81032-2	1
6	PLATE, LOG SIDE SUPPORT END	091591-1	1
7	BOLT, M12 X 90-8.8 HEX HEAD ZINC	F81004-2	2
8	WASHER, 13 FLAT ZINC	F81056-1	2
9	NUT, M12-8 HEX NYLON ZINC LOCK	F81034-2	3
10	WASHER, 45/13 ZINC LOCK	086184	1
11	BOLT, M12 X 35-8.8 HEX HEAD FULL THREAD ZINC	F81004-24	1
12	FITTING, 3/16X3/16 STRAIGHT GREASE	P04107	2
13	ROLLER ASSEMBLY, SIDE SUPPORT	015014-1	2
14	WASHER, 17 FLAT ZINC	F81058-1	2
15	BOLT, M16X65-8.8-B HEX HEAD FULL THREAD ZINC	F81006-1	1
16	NUT, M16-8 HEX NYLON ZINC LOCK	F81036-2	1
17	WASHER, BN781 M12/13 EXTERNALLY SERRATED	F81056-16	1
18	WASHER, BN783 M12/12.3/30.3 SERRATED	F81056-17	1



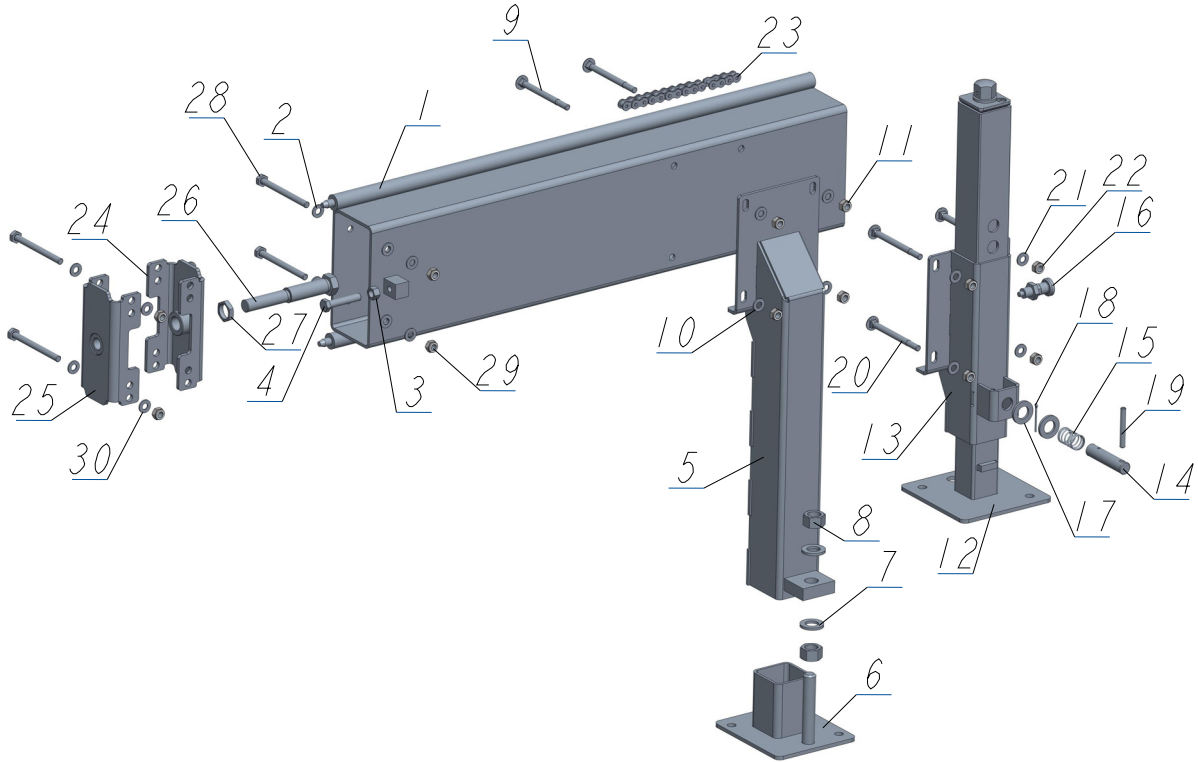
BED FRAME ASSEMBLY

Log Side Support (Manual)

	INSTRUCTION SHEET, SIDE SUPPORT ROLLER	015109-526	1	
--	--	------------	---	--

8.11 Bed Extension LT70 (0.9m) - Complete

540139_70_001_B
 540139_70_MANUAL



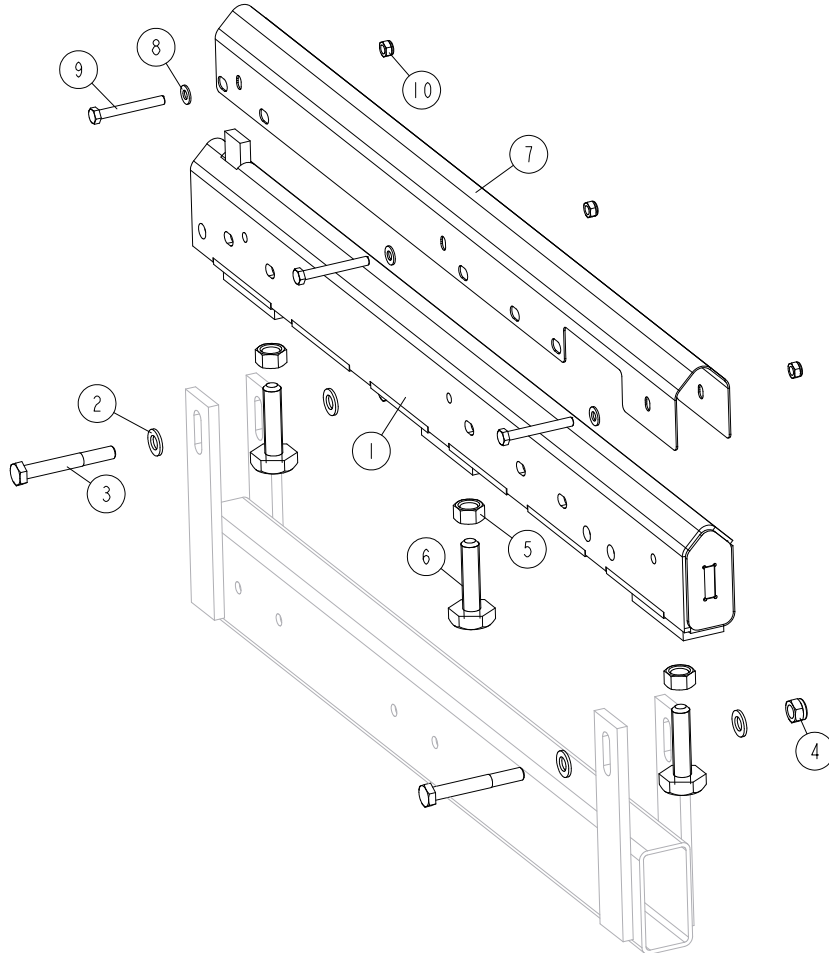
REF	DESCRIPTION (u indicates parts available in assemblies only)	PART #	QTY
-	EXTENSION, LT70 (0.9M) TRACK RAIL - COMP	540139-70	1
1	TUBE WELDMENT, 0.9M W/RODS	540138-1	1
2	WASHER, 10.5 FLAT ZINC	F81055-1	4
3	NUT, M12-8 ZINC	F81034-1	1
4	BOLT M12X60-8 HEX HEAD FULL THREAD ZINC	F81004-51	1
-	LEG, RIGHT ADJUSTABLE STATIONARY	501640	1
5	LEG, MAIN TUBE (HIGH)	507620-1	1
6	FOOT	586948-1	1
7	WASHER, 21 FLAT ZINC	F81059-2	2
8	NUT, M20-8 HEX ZINC	F81037-1	2
9	BOLT, M10X120 8.8 CARRIAGE ZINC	F81003-33	4
10	WASHER, 10.5 FLAT ZINC	F81055-1	4
11	NUT, M10-8-B NYLON HEX ZINC LOCK	F81033-1	4
-	LEG, COMPLETE FINE ADJUST OUTRIGGER	094584	1
12	FINE ADJUST OUTRIGGER LEG	093589	1
13	GUIDE, FINE ADJUST OUTRIGGER LEG	506114-1	1
14	PIN, OUTRIGGER PULL	087012-1	1
15	SPRING, ZINC	087040	1
16	PIN, DETENT	090197	1
17	WASHER, 21 FLAT ZINC	F81059-2	2

BED FRAME ASSEMBLY*Bed Extension LT70 (0.9m) - Complete*

REF	DESCRIPTION (u indicates parts available in assemblies only)	PART #	QTY	
18	PIN, S-ZN 4X25 COTTER	F81043-2	1	
19	PIN 8X65 ROLL	F81046-1	1	
20	BOLT, M10X120 8.8 CARRIAGE ZINC	F81003-33	4	
21	WASHER, 10.5 FLAT ZINC	F81055-1	4	
22	NUT, M10-8-B NYLON HEX ZINC LOCK	F81033-1	4	
23	CHAIN, 0.9M LT70	540147	1	
-	BRACE KIT BX	501340	1	
24	CONNECTOR, BX (M24) - WLDMT/PTD	500989-1	1	
25	CONNECTOR, BX (M20) - WLDMT/PTD.	501339-1	1	
26	BOLT, ZINC SPECIAL	087188-1	1	
27	NUT, M24X2 ZINC SPECIAL	087626-1	1	
28	BOLT, M10 X 115-8.8 HEX HEAD ZINC	F81003-19	4	
29	NUT, M10-8-B NYLON HEX ZINC LOCK	F81033-1	4	
30	WASHER, 10.5 FLAT ZINC	F81055-1	8	

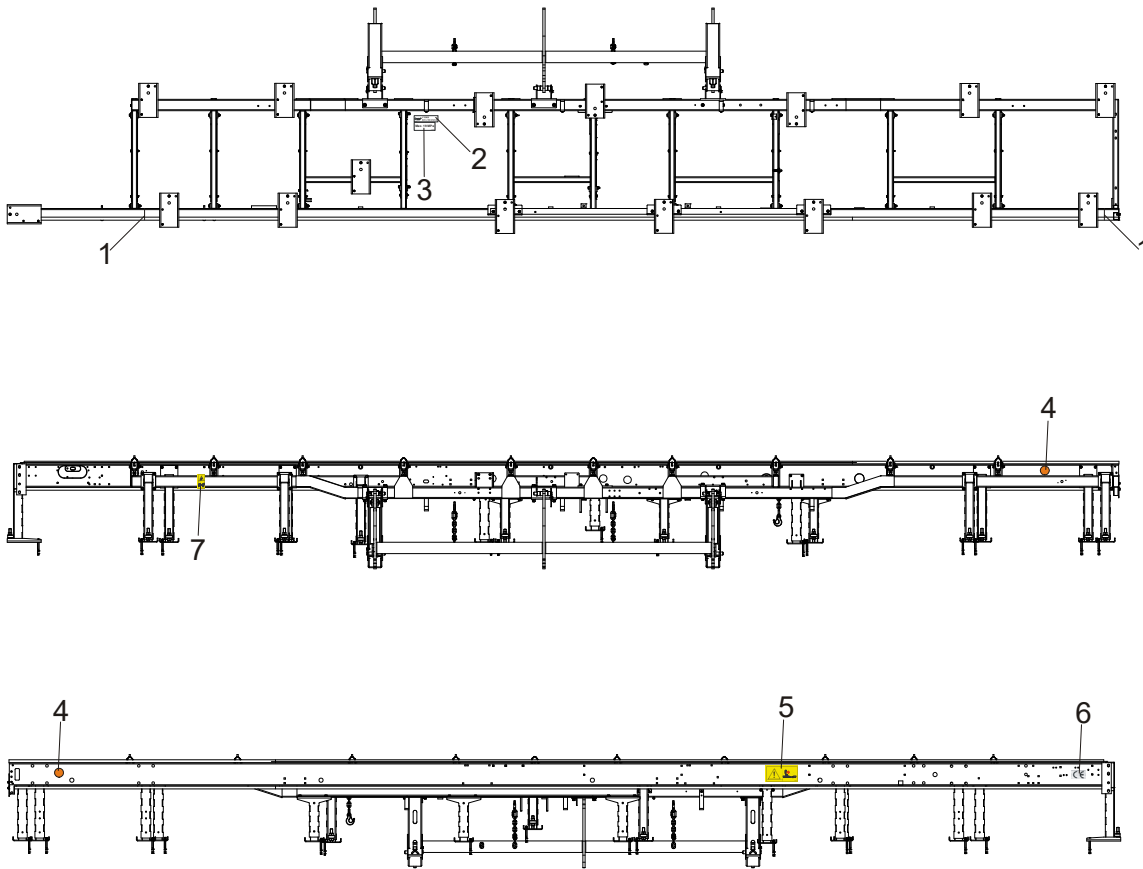
8.12 Angled Bed Rails for "L" Frame

568330_001
 568330



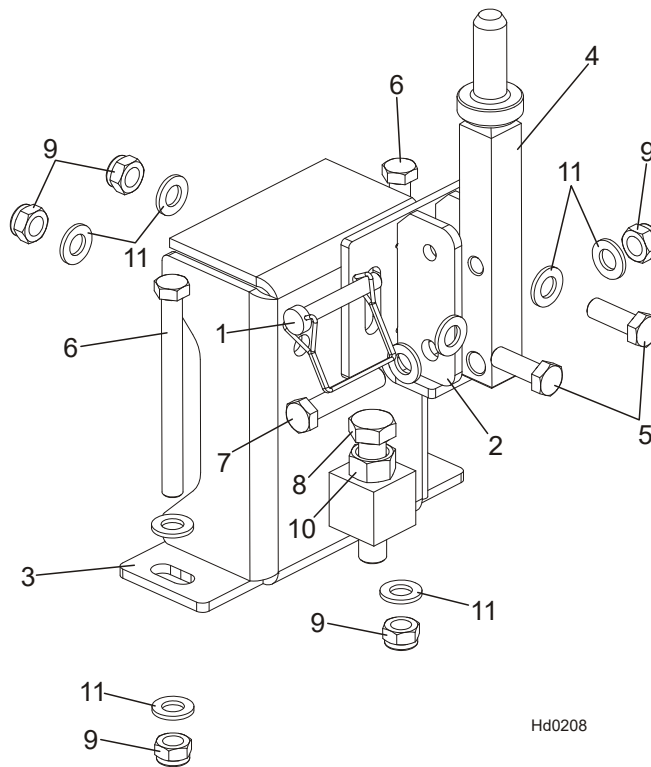
REF	DESCRIPTION (u indicates parts available in assemblies only)	PART #	QTY
1	RAIL, ADJUSTABLE ANGLED	521930	1
2	WASHER, 13 FLAT ZINC	F81056-1	4
3	BOLT, M12X90 8.8 HEX HEAD ZINC	F81004-2	2
4	NUT, M12-8 HEX NYLON ZINC LOCK	F81034-2	2
-	M16 BOLT W/NUT	516629	3
5	NUT, M16 5.8 HEX ZINC	F81036-5	1
6	BOLT, M16 BED RAIL ADJUSTMENT	505006	1
7	COVER, BED RAIL ("M-SUPER" & "L" FRAMES)	522979	1
8	WASHER, 8,4-FLAT ZINC	F81054-1	3
9	BOLT, M8X65-5,8 HEX HEAD ZINC	F81002-3	3
10	NUT, M8-8-B HEX NYLON ZINC LOCK	F81032-2	3

8.13 Bed Frame Decals



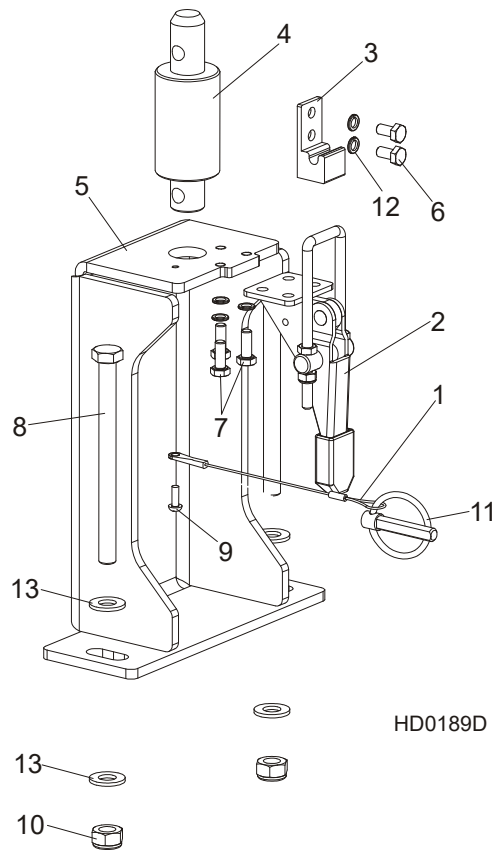
REF.	DESCRIPTION (◆ Indicates Parts Available in Assemblies Only)	PART #	QTY
1	DECAL, LOG LENGTH LIMIT	S12051	2
2	DECAL, HYDRAULIC OIL TYPE	096323	1
3	DECAL, HYDRAULIC WORKING PRESSURE	099524	1
4	DECAL, REFLECTOR, 2 DIA YELLOW	P07453	2
5	DECAL, SAWMILL TRAILER CAUTION (PICTOGRAM)	099542	1
6	DECAL, CE CERTIFIED SAWMILL, SMALL	P85070	1
7	DECAL, KEEP AWAY DANGER (PICTOGRAM)	099221	1

8.14 Saw Head Transport Bracket



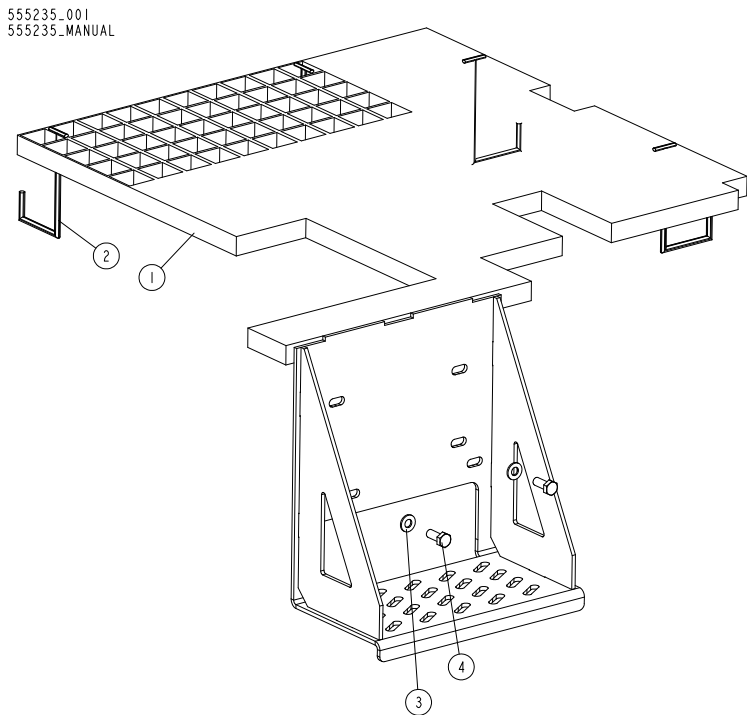
REF.	DESCRIPTION (◆ Indicates Parts Available In Assemblies Only)	PART #	QTY
	BRACKET, LT40LE25SAH15-3.0 SAW HEAD REST	504631	1
1	PIN, 3/8X2 1/4 SQ WIRE LOCK	014151	1
2	BRACKET WELDMENT	504634-1	1
3	REST WELDMENT, SAW HEAD	504641-1	1
4	PIN WELDMENT	504644-1	1
5	BOLT, M12x35-8.8 HEX HEAD FULL THREAD ZINC	F81004-24	2
6	BOLT, M12x130-8.8 HEX HEAD ZINC	F81004-36	2
7	BOLT, M12x60-8.8 HEX HEAD ZINC	F81004-5	1
8	BOLT, M16x80 8.8-B HEX HEAD FULL THREAD ZINC	F81006-11	1
9	NUT, M12-8 HEX NYLON ZINC LOCK	F81034-2	5
10	NUT, M16-5.8 HEX ZINC	F81036-1	1
11	WASHER, 13 FLAT ZINC	F81056-1	10

8.15 Saw Head Transport Bracket, LT70L



REF.	DESCRIPTION (◆ Indicates Parts Available in Assemblies Only)	PART #	QTY
	BRACKET, LT70L SAW HEAD REST W/LATCH CLAMP	502392	1
1	LANYARD, 3/64 X 6"	016030	1
2	CLAMP, GN851.2-320-T4 LATCH	094656	1
3	BRACKET, GN851.2-320-T4 ZINC-PLATED LATCH CLAMP	094659-1	1
4	PIN, LT20 SAW HEAD REST	097935-1	1
5	BRACKET, SAW HEAD REST	502389-1	1
6	BOLT, M6X12-8.8 HEX HEAD FULL THREAD ZINC	F81001-7	2
7	BOLT, M6X16 8.8 HEX HEAD FULL THREAD ZINC	F81001-15	3
8	BOLT, M10x125-8.8 HEX HEAD ZINC	F81003-18	2
9	SCREW, M4x12 5.8-B CROSS RECESSED PAN HEAD ZINC	F81011-43	1
10	NUT, M10-8-B HEX NYLON ZINC LOCK	F81033-1	2
11	PIN, 8 BN914 LINCH (BOSSARD 1364650)	F81046-2	1
12	WASHER, Z 6.1 SPLIT LOCK ZINC	F81053-3	5
13	WASHER, 10.5 FLAT ZINC	F81055-1	4

8.16 Inspection Platform for the Old Type Frame (Optional)



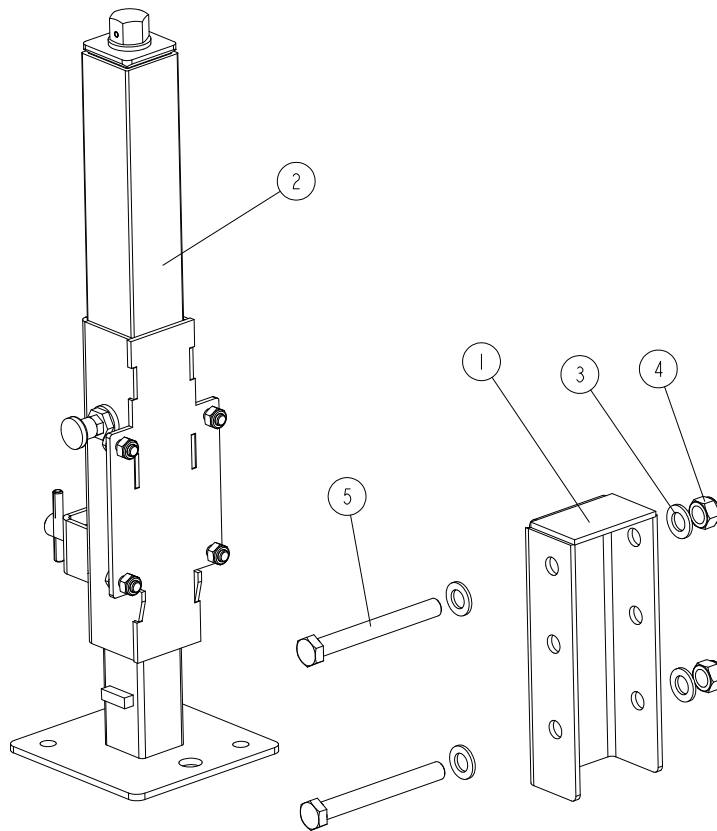
REF	DESCRIPTION (◆ indicates parts available in assemblies only)	PART #	QTY
-	PLATFORM, INSPECTION (FOR DRIVEN LOG LEVELLING ROLLER)	555235	1
1	PLATFORM, INSPECTION	555237-1	1
2	BRACKET, HOOK	085682	4
3	WASHER, 8.4 FLAT ZINC	F81054-1	2
4	BOLT, M8X20 8.8 HEX HEAD FULL THREAD ZIN	F81002-4	2

8 BED FRAME ASSEMBLY

IFront Adjustable Leg (at the hitch)

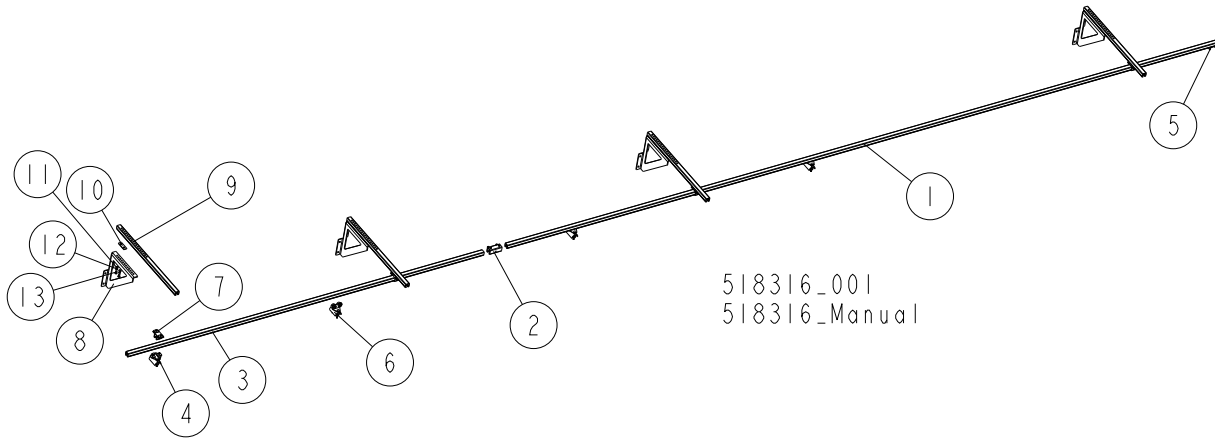
8.17 IFront Adjustable Leg (at the hitch)

528370_001
528370_MANUAL



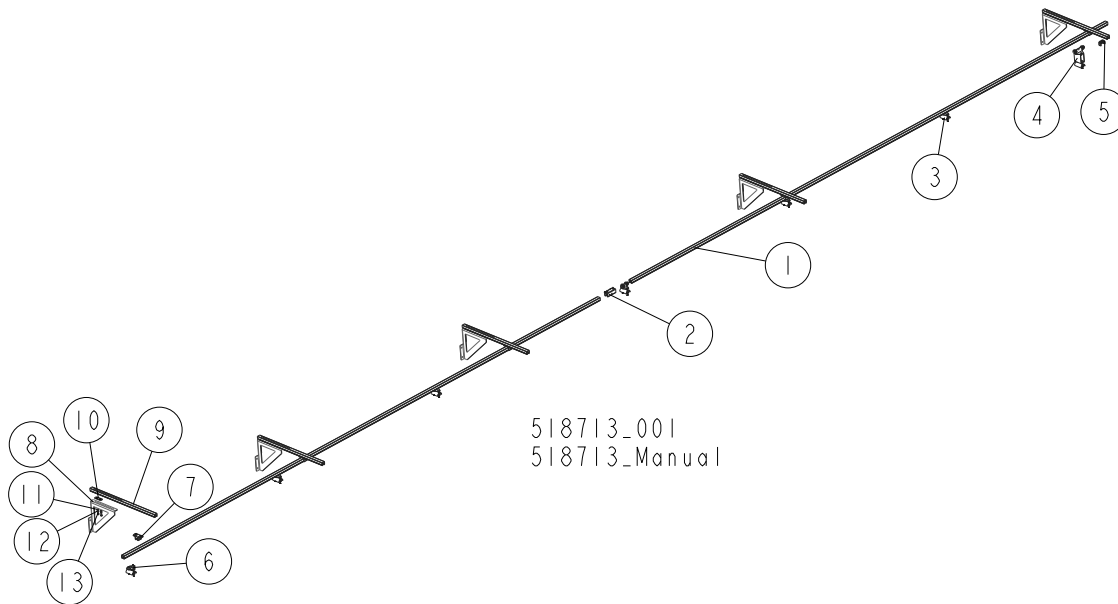
REF	DESCRIPTION (◆ indicates parts available in assemblies only)	PART #	QTY
-	LEG, FRONT ADJUSTABLE - COMPLETE	528370	1
1	BRACKET, LEG MOUNT	528368-1	1
2	LEG, COMPLETE SIDE	094583	1
3	WASHER, 17 ZINC FLAT	F81058-1	4
4	NUT, M16-8 HEX NYLON ZINC LOCK	F81036-2	2
5	BOLT, M16X140-8.8 HEX HEAD ZINC	F81006-4	2

8.18 Wall Mount Remote Set (Cutting Length of 6.5 m)



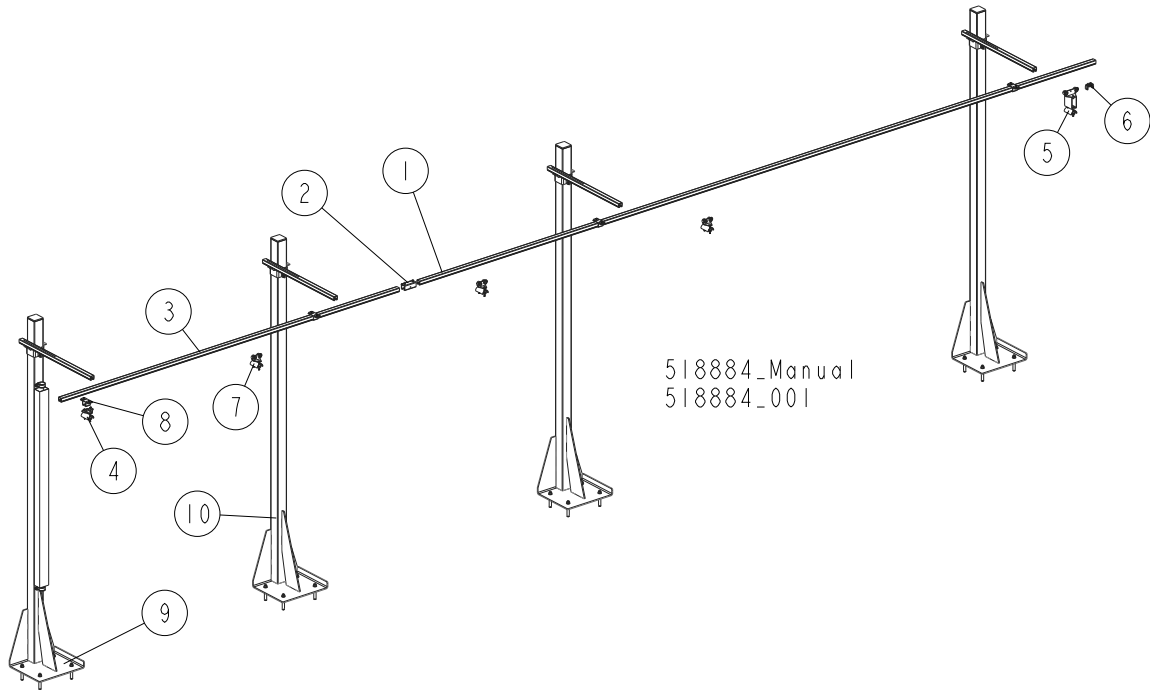
REF	DESCRIPTION (◆ indicates parts available in assemblies only)	PART #	QTY
	REMOTE SET - MOUNTED ON SIDE WALL (CUTTING LENGTH OF 6.5 M)	518316	1
	RAIL, COMPLETE GUIDE (CUTTING LENGTH OF 6.5 M)	518315	1
1	RAIL, 6 M C-PROFILE	518332	1
2	COUPLER, TRACK	518705	1
3	RAIL, 3 M C-PROFILE	518313	1
4	CLAMP, FLAT CABLE - END	518701	1
5	STOP, END	518700	1
6	TROLLEY, CABLE MOVING	518333	3
7	BRACKET, BOLT-ON	518702	4
	BRACKET KIT, WALL MOUNT	518724	4
8	BRACKET, WALL MOUNT	518728-1	1
9	ARM, RAIL BRACKET	518709	1
10	PLATE, ARM CLAMP	518885-1	1
11	WASHER, 8.4 FLAT ZINC	F81054-1	2
12	WASHER, 8.2 SPLIT LOCK ZINC	F81054-4	2
13	BOLT, M8X16 -8.8-B HEX HEAD FULL THREAD	F81002-20	2

8.19 Wall Mount Remote Set (Cutting Length of 6.5-10 m)



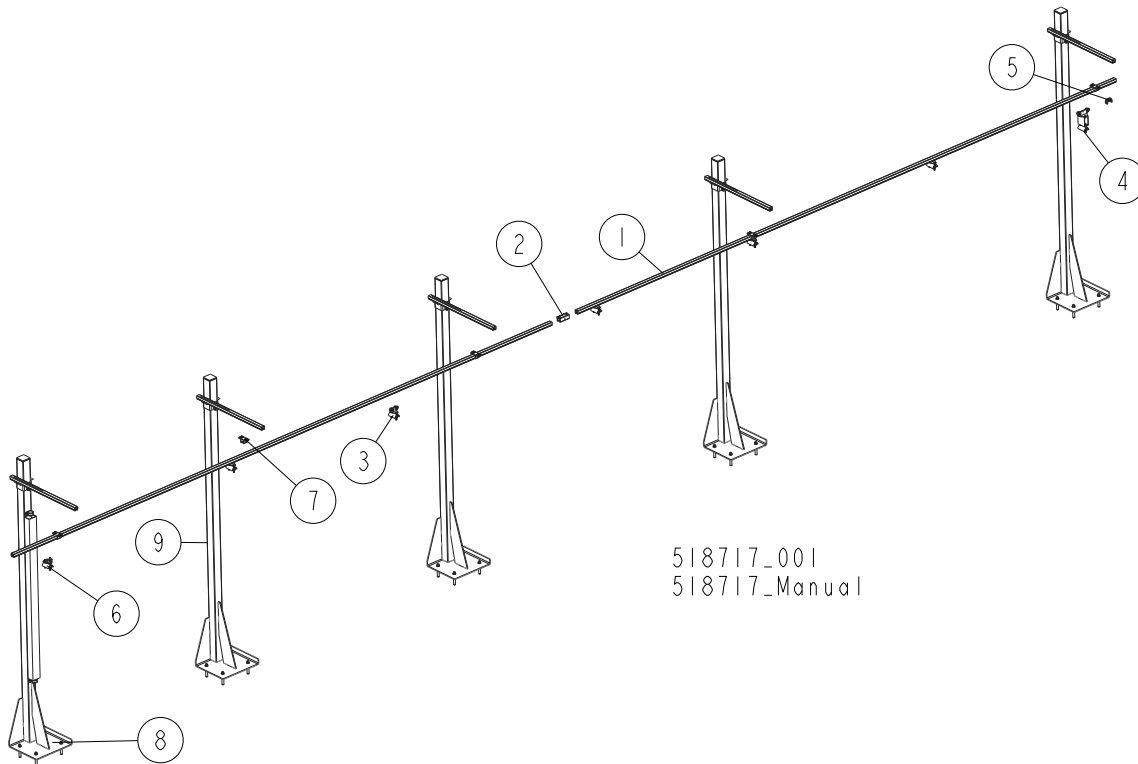
REF	DESCRIPTION (◆ indicates parts available in assemblies only)	PART #	QTY
	REMOTE SET, WALL MOUNT (CUTTING LENGTH OF 6.5-10 M)	518713	1
	RAIL, COMPLETE GUIDE (CUTTING LENGTH OF 6.5-10 M)	518704	1
1	RAIL, 6 M C-PROFILE	518332	2
2	COUPLER, TRACK	518705	1
3	TROLLEY, CABLE MOVING	518333	5
4	TROLLEY, TOWING	518334	1
5	STOP, END	518700	1
6	CLAMP, FLAT CABLE - END	518701	1
7	BRACKET, BOLT-ON	518702	5
8	BRACKET KIT, WALL MOUNT	518724	5
9	BRACKET, WALL MOUNT	518728-1	1
10	ARM, RAIL BRACKET	518709	1
11	PLATE, ARM CLAMP	518885-1	1
12	WASHER, 8.4 FLAT ZINC	F81054-1	2
13	WASHER, 8.2 SPLIT LOCK ZINC	F81054-4	2

8.20 4-Post Remote Set



REF	DESCRIPTION (◆ indicates parts available in assemblies only)	PART #	QTY
	REMOTE SET, 4-POST	518884	1
	RAIL, COMPLETE GUIDE (CUTTING LENGTH OF 6.5M)	518315	1
1	RAIL, 6 M C-PROFILE	518332	1
2	COUPLER, TRACK	518705	1
3	RAIL, 3 M C-PROFILE	518313	1
4	CLAMP, FLAT CABLE - END	518701	1
5	TROLLEY, TOWING	518334	1
6	STOP, END	518700	1
7	TROLLEY, CABLE MOVING	518333	3
8	BRACKET, BOLT-ON	518702	4
9	POST, GUIDE RAIL SUPPORT - COMPLETE See Section 8.18	520669	1
10	POST, GUIDE RAIL SUPPORT - COMPLETE See Section 8.17	518736	3

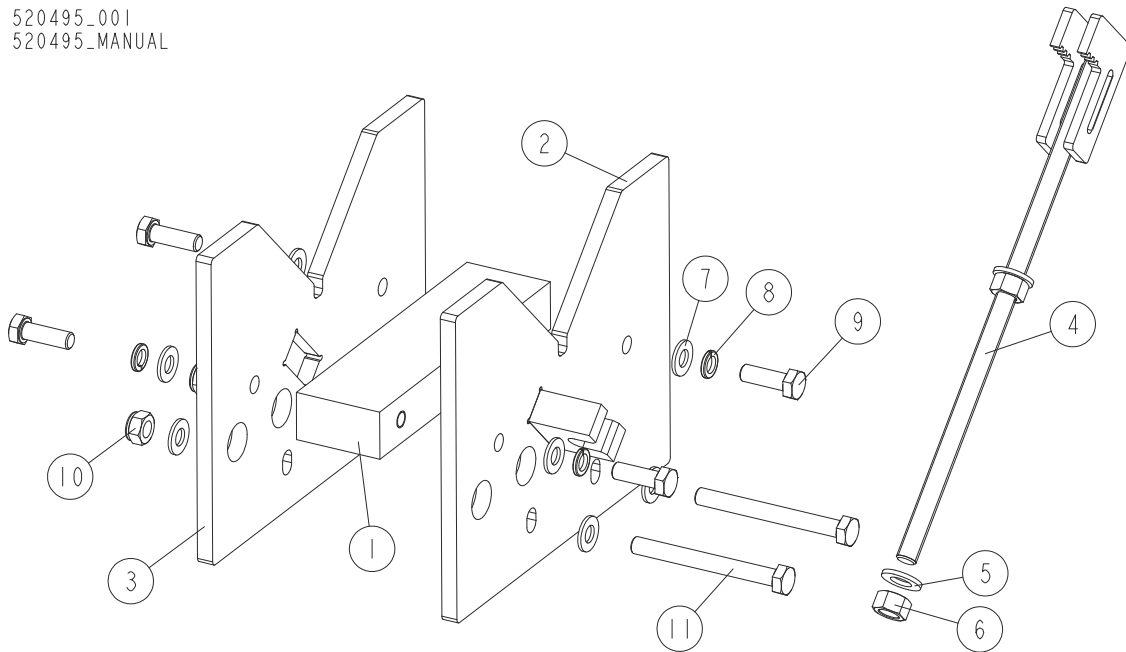
8.21 5-Post Remote Set



REF	DESCRIPTION (◆ indicates parts available in assemblies only)	PART #	QTY
	REMOTE SET, 5-POST	518717	1
	RAIL, COMPLETE GUIDE (CUTTING LENGTH OF 6.5-10 M)	518704	1
1	RAIL, 6 M C-PROFILE	518332	2
2	COUPLER, TRACK	518705	1
3	TROLLEY, CABLE MOVING	518333	5
4	TROLLEY, TOWING	518334	1
5	STOP, END	518700	1
6	CLAMP, FLAT CABLE - END	518701	1
7	BRACKET, BOLT-ON	518702	5
8	POST, GUIDE RAIL SUPPORT - COMPLETE See Section 8.18	520669	1
9	POST, GUIDE RAIL SUPPORT - COMPLETE See Section 8.17	518736	4

8.22 Octagonal Profile Sawing Tool (Option)

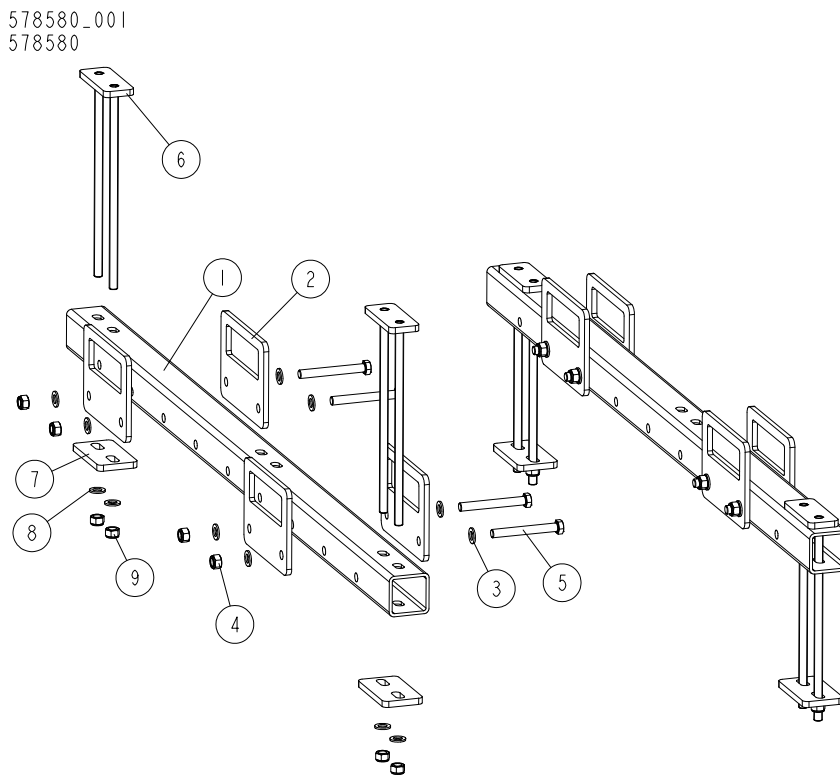
520495_001
 520495_MANUAL



REF	DESCRIPTION (◆ indicates parts available in assemblies only)	PART #	QTY
-	TOOL, OCTAGONAL PROFILE SAWING	520495	1
1	BAR, INSIDE	520490-1	1
2	PLATE, FRONT	520492-1	1
3	PLATE, MAIN	520489-1	1
4	ARM, CLAMP	520496-1	1
5	WASHER, 13 FLAT ZINC	F81056-1	2
6	NUT, M12-8-B HEX ZINC	F81034-1	2
7	WASHER, 10.5 FLAT ZINC	F81055-1	8
8	WASHER, Z 10.2 SPLIT LOCK ZINC	F81055-2	4
9	BOLT, M10X30-5.8 HEX HEAD FULL THREAD ZI	F81003-2	4
10	NUT, M10-8-B HEX NYLON ZINC LOCK	F81033-1	2
11	BOLT, M10X95-8.8-B HEX HEAD ZINC	F81003-71	2

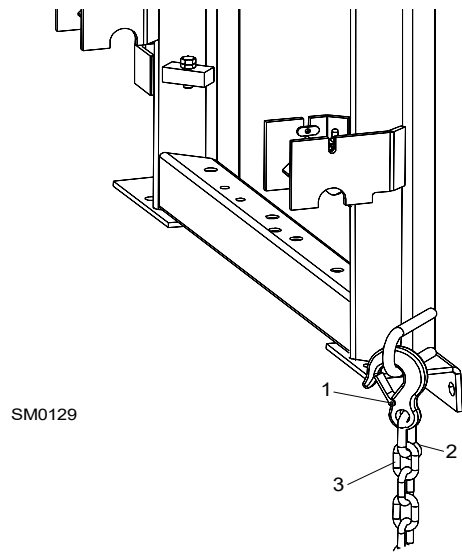
8 **BED FRAME ASSEMBLY**
Sawmill Transport Bracket Assembly (Option)

8.23 Sawmill Transport Bracket Assembly (Option)



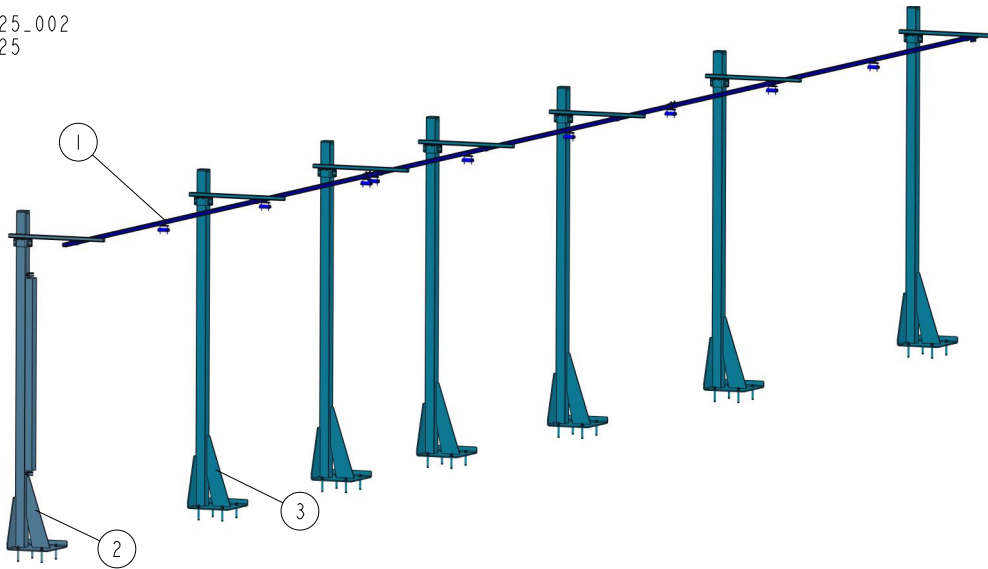
REF	DESCRIPTION (u indicates parts available in assemblies only)	PART #	QTY
-	TRANSPORT BRACKET ASSEMBLY, SAWMILLS	578580	1
-	BRACKET, TRANSPORT	578566	2
1	TUBE, TRANSPORT	578567-1	1
2	PLATE, TRANSPORT BRACKET	578569-1	4
3	WASHER, 17 FLAT ZINC	F81058-1	8
4	NUT, M16-8 HEX NYLON ZINC LOCK	F81036-2	4
5	BOLT, M16X130-8.8 HEX HEAD ZINC	F81006-35	4
-	CLAMP, FRAME	578572	2
6	PLATE	578577-1	1
7	PLATE, TRANSPORT BRACKET	578568-1	1
8	WASHER, 17 FLAT ZINC	F81058-1	2
9	NUT, M16-8 HEX NYLON ZINC LOCK	F81036-2	2

8.24 Tie Down Chain Assembly



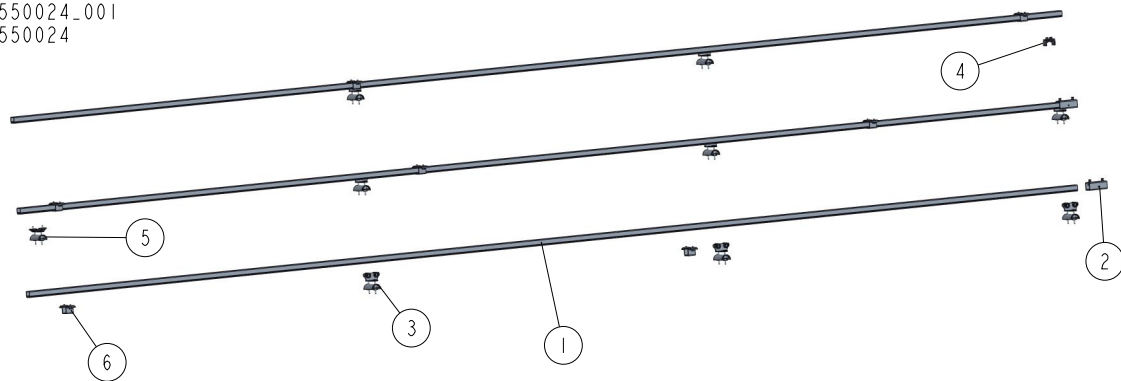
REF.	DESCRIPTION (◆ indicates parts available in assemblies only)	PART #	QTY
	CHAIN ASSEMBLY, TIE DOWN	A04376-1	1
1	HOOK, 5/8 SAFETY CHAIN	P12075	1
2	Link, 10 Chain	100767	1
3	Chain, N-10 x 35, 6-Link	100951	1

8.25 7-Post Remote Set 550025

550025_002
550025

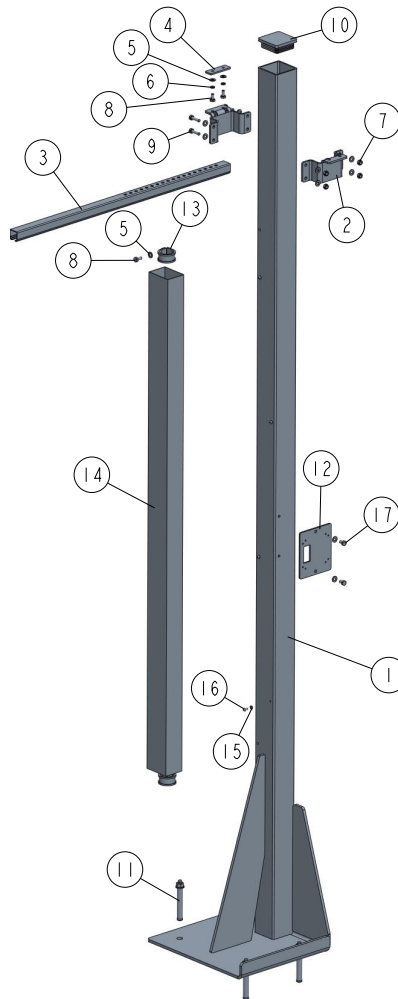
REF	DESCRIPTION (◆ indicates parts available in assemblies only)	PART #	QTY	
-	REMOTE SET, 7-POST	550025	1	
1	RAIL, COMPLETE GUIDE - CUTTING LENGTH (10,5-15M) See Section 8.26	550024	1	
2	POST, GUIDE RAIL SUPPORT - COMPLETE See Section 8.27	520669	1	
3	POST, GUIDE RAIL SUPPORT - COMPLETE See Section 8.28	518736	6	

8.26 Guide Rail 550024

550024_001
550024

REF	DESCRIPTION (◆ indicates parts available in assemblies only)	PART #	QTY	
-	RAIL, COMPLETE GUIDE - CUTTING LENGTH (10,5-15M)	550024	1	
1	RAIL, 6 M C-PROFILE	518332	3	
2	COUPLER, TRACK	518705	2	
3	TROLLEY, CABLE MOVING	518333	8	
4	STOP, END	518700	1	
5	CLAMP, FLAT CABLE - END	518701	1	
6	BRACKET, BOLT-ON	518702	7	

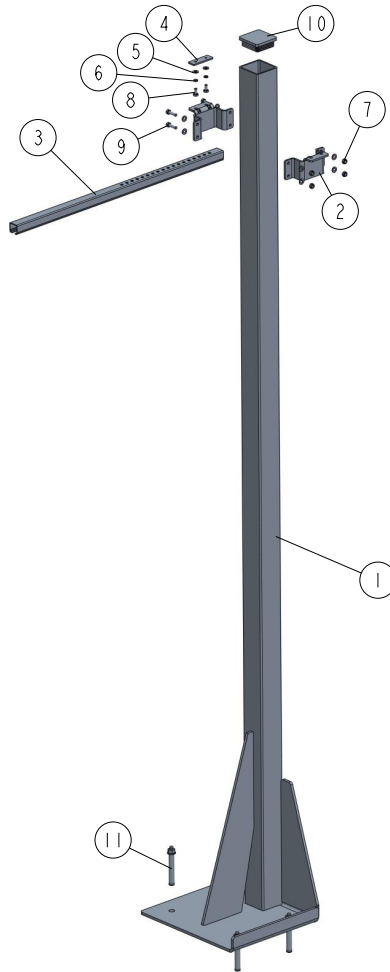
8.27 Guide Rail Support Post 520669

520669_001
520669

REF	DESCRIPTION (◆ indicates parts available in assemblies only)	PART #	QTY
-	POST, GUIDE RAIL SUPPORT - COMPLETE	520669	1
1	POST WELDMENT W/HOLES	520667-1	1
2	BRACKET, 80X80 TUBE WRAP	518725-1	2
3	ARM, RAIL BRACKET	518709	1
4	PLATE, ARM CLAMP	518885-1	1
5	WASHER, 8.4 FLAT ZINC	F81054-1	14
6	WASHER 8,2 SPLIT LOCK ZINC	F81054-4	2
7	NUT, M8-8-B HEX NYLON ZINC LOCK	F81032-2	4
8	BOLT, M8X16-8.8-B HEX HEAD FULL THREAD Z	F81002-20	4
9	BOLT, M8X30-5.8-B HEX HEAD FULL THREAD Z	F81002-2	4
10	CAP, HR FRAME	089644	1
11	PIN, LT 16X120	501877	4
12	PLATE, SOCKET MOUNT	517664-1	1
13	CLAMP, RSGU 1.42/20 W1 METAL & RUBBER	F81087-3	2
14	DUCT, CABLE	520670	1
15	WASHER, M5, FLAT ZINC	F81052-1	4
16	SCREW, M5X10-8.8 CROSS RECESSED PAN HEAD	F81000-13	4
17	BOLT, M8X12-8.8 HEX HEAD FULL THREAD ZIN	F81002-6	2

8.28 Guide Rail Support Post 518736

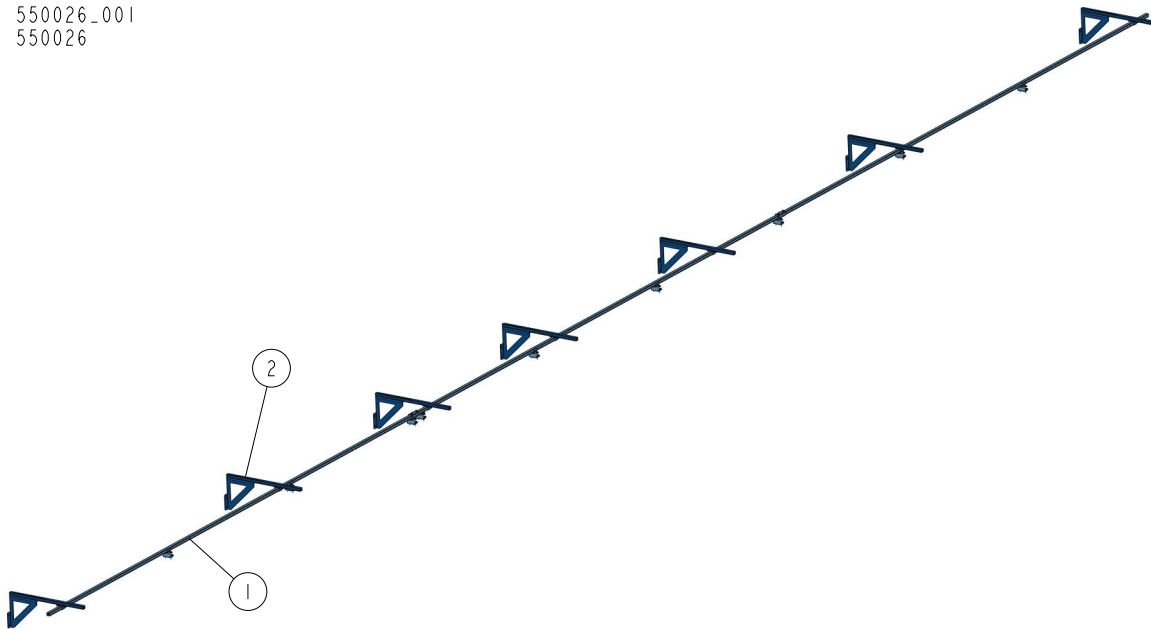
518736_001
518736



REF	DESCRIPTION (◆ indicates parts available in assemblies only)	PART #	QTY
-	POST, GUIDE RAIL SUPPORT - COMPLETE	518736	1
1	POST, GUIDE RAIL SUPPORT	518707-1	1
2	BRACKET, 80X80 TUBE WRAP	518725-1	2
3	ARM, RAIL BRACKET	518709	1
4	PLATE, ARM CLAMP	518885-1	1
5	WASHER, 8.4 FLAT ZINC	F81054-1	10
6	WASHER 8,2 SPLIT LOCK ZINC	F81054-4	2
7	NUT, M8-8-B HEX NYLON ZINC LOCK	F81032-2	4
8	BOLT, M8X16-8.8-B HEX HEAD FULL THREAD Z	F81002-20	2
9	BOLT, M8X30-5.8-B HEX HEAD FULL THREAD Z	F81002-2	4
10	CAP, HR FRAME	089644	1
11	PIN, LT 16X120	501877	4

8.29 Wall Mount Remote Set 550026

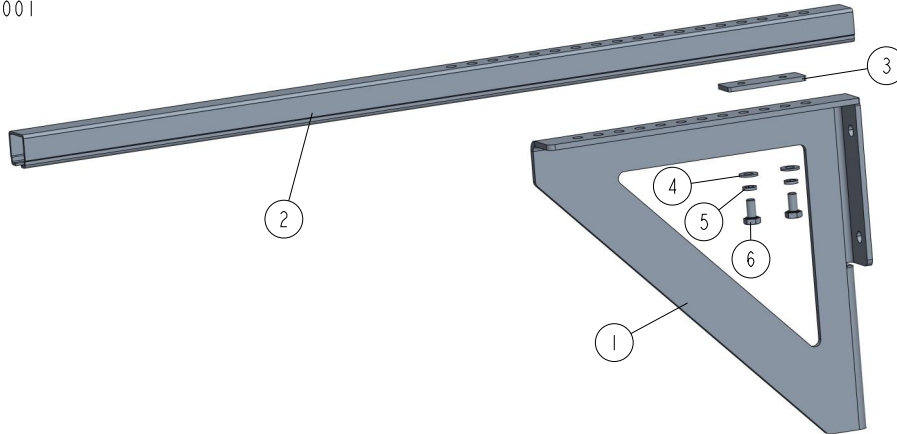
550026_001
550026



REF	DESCRIPTION (◆ indicates parts available in assemblies only)	PART #	QTY	
-	REMOTE SET, WALL MOUNT (CUTTING LENGTH OF 10,5-15 M)	550026	1	
1	RAIL, COMPLETE GUIDE - CUTTING LENGTH (10,5-15M) See Section 8.26	550024	1	
2	BRACKET KIT, WALL MOUNT See Section 8.30	518724	7	

8.30 Wall Mount Bracket Kit 518724

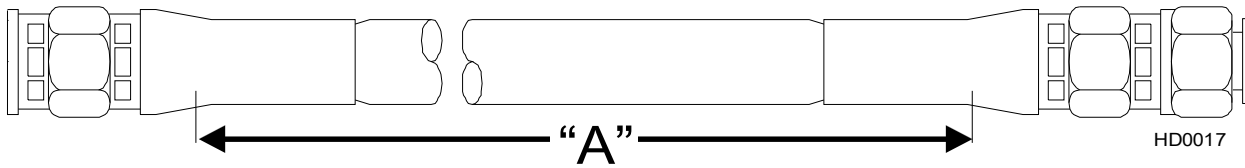
518724_001
518724



REF	DESCRIPTION (◆ indicates parts available in assemblies only)	PART #	QTY
-	BRACKET KIT, WALL MOUNT	518724	1
1	BRACKET, WALL MOUNT	518728-1	1
2	ARM, RAIL BRACKET	518709	1
3	PLATE, ARM CLAMP	518885-1	1
4	WASHER, 8.4 FLAT ZINC	F81054-1	2
5	WASHER 8,2 SPLIT LOCK ZINC	F81054-4	2
6	BOLT, M8X16-8.8-B HEX HEAD FULL THREAD Z	F81002-20	2

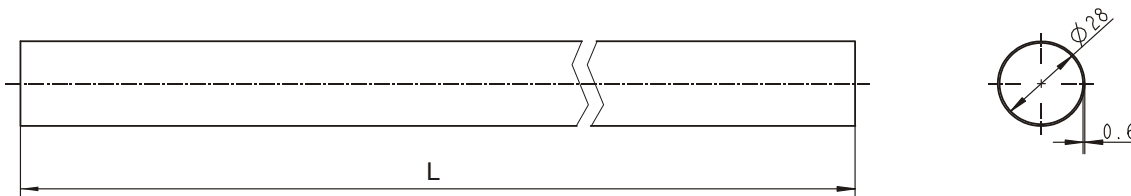
SECTION 9 HYDRAULIC SYSTEM

9.1 Hydraulic Hoses, LT20L/LT40L/LT70L AH



COLOR CODE	LENGTH (m)	DESCRIPTION (◆ Indicates Parts Available In Assemblies Only)	PART #	QTY
GREEN	1.305	3/8" TEE FITTING / 3RD LOADER ARM, CYLINDER BOTTOM	089808	1
RED	1.305	3/8" TEE FITTING / OIL FLOW DIVIDER	089808	1
GREEN	2.155	3/8" TEE FITTING / 1ST LOADER ARM, CYLINDER BOTTOM	091844	1
BLUE	1.205	3/8" TEE FITTING/ OIL FLOW DIVIDER	504834	1
NONE	10.205	1/4" POWER ROLLER UP/DOWN	506988	2
SILVER/BROWN	9.705	1/4" POWER ROLLER - ROLLER DRIVE - MOTOR	506989	2
NONE/ PINK	7.205	3/8" SIDE SUPPORTS UP/DOWN	506990	2
BROWN/ CHERRY RED	3.755	3/8" SIDE SUPPORTS TO LOG TURNER	506991	2
RED/BLUE	9.755	1/4" CONTROL BOX TO 2ND CLAMP UP/DOWN	506992	2
ORANGE/WHITE	9.605	1/4" CONTROL BOX TO 2ND CLAMP IN/OUT	506993	2
GREEN	9.005	1/4" MIDDLE CLAMP TOP	506994	1
YELLOW	8.705	1/4" MIDDLE CLAMP BOTTOM	506995	1
WHITE	7.775	3/8" MIDDLE CLAMP FRONT END	506996	1
ORANGE	7.605	3/8" MIDDLE CLAMP REAR END	506997	1
CHERRY RED/BLACK	7.205	1/4" 2ND TOE BOARD UP/DOWN	506998	2
CHERRY RED//BLACK	5.905	1/4" 1ST TOE BOARD UP/DOWN	506999	2
RED/BLUE	6.905	1/4" 1ST LOG CLAMP UP/DOWN	507000	2
ORANGE/WHITE	6.005	1/4" 1ST LOG CLAMP IN/OUT	507001	2
BLUE/RED	7.605	3/8" CONTROL BOX - LOG LOADER/LOG DECK	507002	1
YELLOW	2.305	3/8" TEE FITTING / 1ST LOADER ARM, CYLINDER BOTTOM	507003	1
YELLOW	0.905	3/8" TEE FITTING / 2ND LOADER ARM, CYLINDER TOP	507004	1
YELLOW	1.355	3/8" TEE FITTING / 3RD LOADER ARM, CYLINDER TOP	507005	1
BLUE	1.005	3/8" TEE FITTING - TEE FITTING	507006	1
GREEN	0.805	3/8" TEE FITTING / 2ND LOADER ARM, CYLINDER BOTTOM	507181	1

Protective Conduits, LT70 Series A/DH Hydraulic Hoses



LENGTH "L"	DESCRIPTION (◆ Indicates Parts Available In Assemblies Only)	PART #	QTY
0.70	PROTECTIVE CONDUIT, LOG TURNER HOSE	099761	2
0.28	PROTECTIVE CONDUIT, IN/OUT CYLINDER HOSE - BOTTOM	099762	1

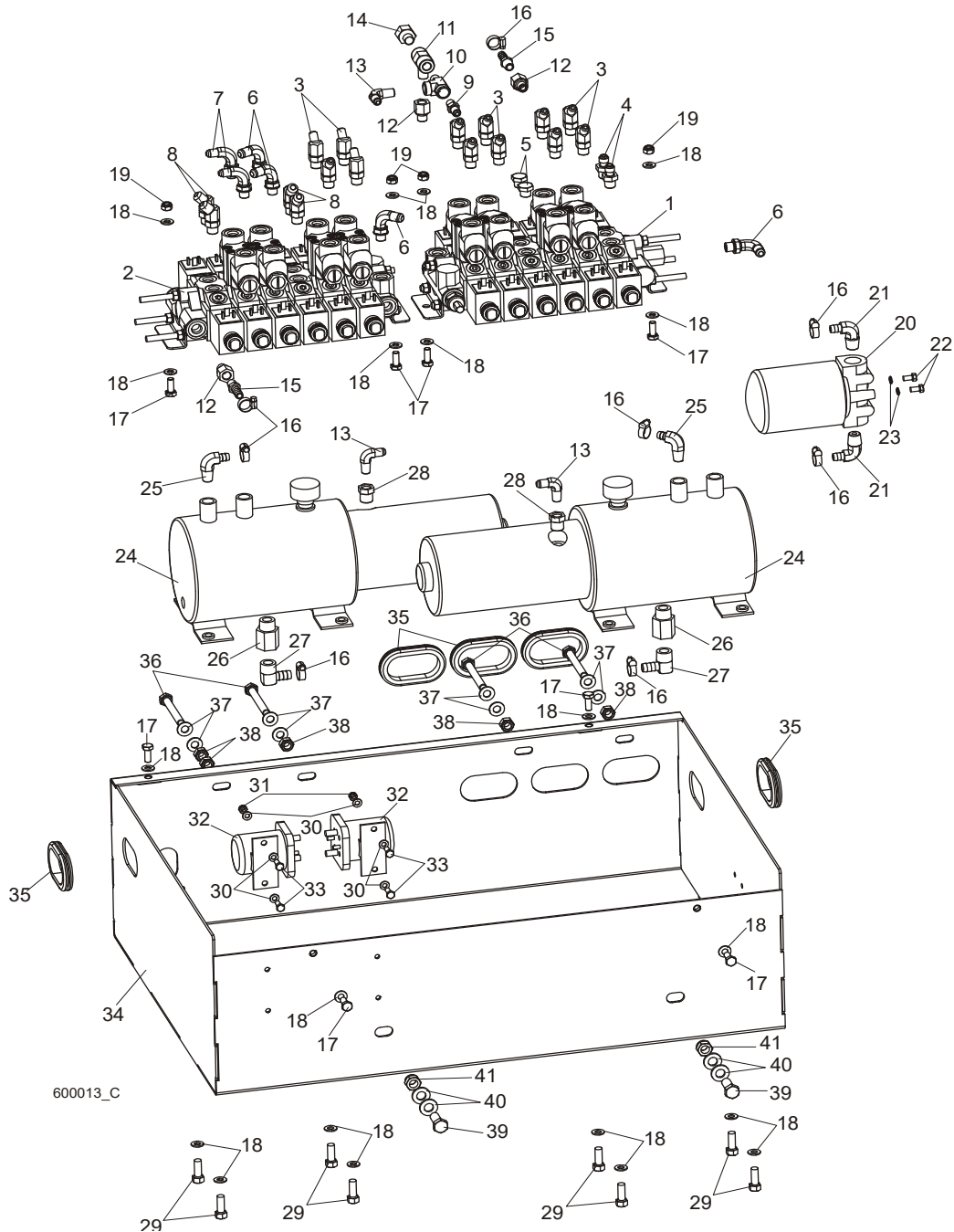


HYDRAULIC SYSTEM

Hydraulic hoses, LT20L/LT40L/LT70L AH

0.45	PROTECTIVE CONDUIT, IN/OUT CYLINDER HOSE - TOP	099763	1	
1.35	PROTECTIVE CONDUIT, UP/DOWN CYLINDER HOSE - BOTTOM	099764	1	
1.65	PROTECTIVE CONDUIT, UP/DOWN CYLINDER HOSE - TOP	099765	1	

9.2 Hydraulic Control Box, LT70L DH15



REF	DESCRIPTION (◆ Indicates Parts Available In Assemblies Only)	PART #	QTY.
	BOX ASSEMBLY, DH15 HYDRAULIC CONTROL	093756	1
1	Valve, HDS11 6K01-151/MOD 6/062Z0 Hydraulic	088188	1
2	Valve, HDS11 6K01-151/MOD 6/063Z0 Hydraulic	088189	1
3	Fitting, #4SAE-#6SAE 45° Elbow	015488	12
4	Fitting, 1/4" JIC x 3/8" O-Ring	P26284	2
5	Plug, 9/16 -18 JIC Hydraulic Valve	089647	2
6	Fitting, #6 SAE 3/8" JIC Elbow	P12704	4
7	Fitting, 90° 9/16-18 JIC 7/16-20 JIC Elbow	089642	2
8	Fitting, 45° #6SAE Elbow	015489	4

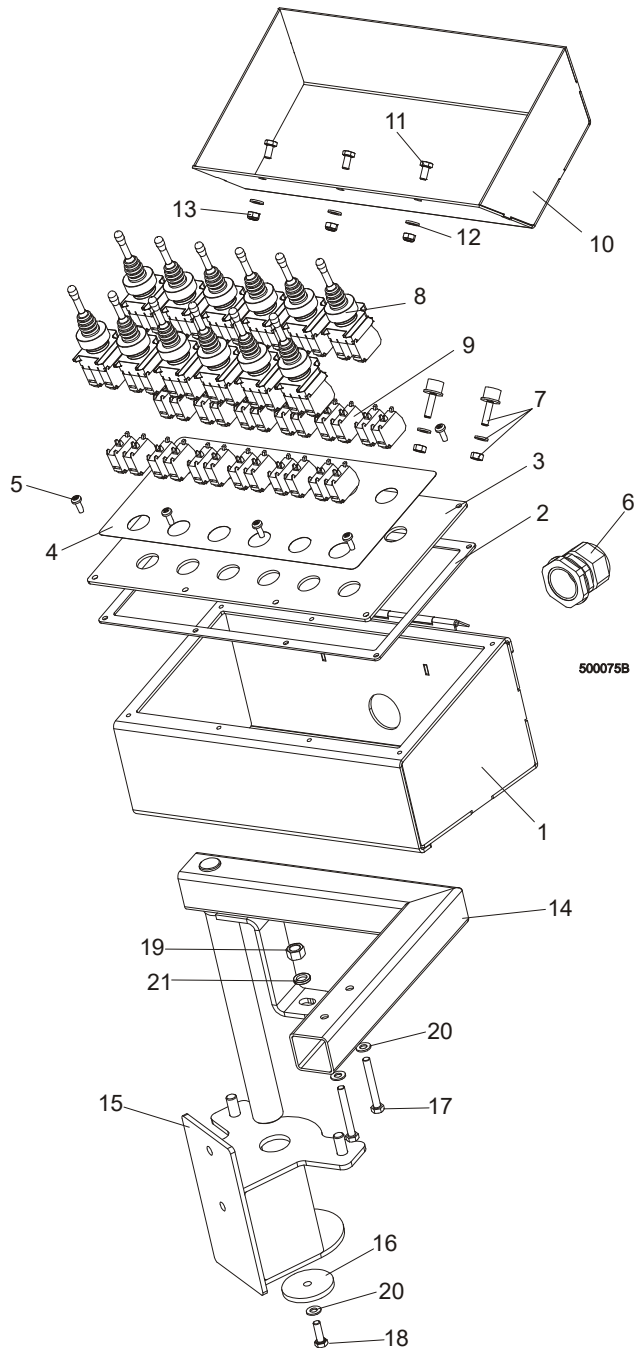


HYDRAULIC SYSTEM

Hydraulic Control Box, LT70L DH15

9	Fitting, C5205x4x4 Male	P09143	1	
10	Fitting, C3759X4 Male Run Tee	P09141	1	
11	Fitting, 1/4NPT Branch Tee	015486	1	
12	Fitting, #6 SAE Male - 1/4 NPT Female	014686	3	
13	Fitting, 90° Male Elbow	P09142	3	
14	Plug, 1/4" NPT Blank	096221	1	
15	Fitting, 3/8 Barb - 1/4 NPT	014685	2	
16	Clamp, 11/16 Worm	P12739	8	
17	Bolt, M8 x 20-8.8-B Hex Head Full Thread Zinc	F81002-4	8	
18	Washer, 8.4 Zinc Flat	F81054-1	20	
19	Nut, M8-8-B Hex Nylon Zinc Lock	F81032-2	4	
20	Manifold, 1.2" Hydraulic W/Filter	P22683	1	
21	Fitting, 1/2"NPT - 3/8" Hose Barb Elbow	P12707	2	
22	Bolt, 1/4-20x1/2" Hex Head Grade 2 Zinc	F05005-15	2	
23	Washer, Z 6.1 Split Zinc Lock	F81053-3	2	
24	Pump W/Motor, Hydraulic	P12701	2	
25	Fitting, #6-6(3/8"NPT) - 3/8" Hose Barb Elbow	P12708	2	
26	Fitting, 1/2NPT-1/2NPT Adapter	015995	2	
27	Fitting, 1/2NPT-1/2 Hose Barb Elbow	015997	2	
28	Fitting, 3/8NPT x 1/4NPT Reducer	015490	2	
29	Bolt, 3/8-16x1 Hex Head Grade 8 Zinc	F05007-7	8	
30	Washer 6.4 Zinc Flat	F81053-1	8	
31	Nut, M6-8-B Hex Nylon Zinc Lock	F81031-2	4	
32	Solenoid, 200A 12V SPST Hydraulic Pump 1997	015470	2	
33	Bolt, M6 x 16 8.8 Hex Head Full Thread Zinc	F81001-15	4	
34	Box Weldment, DC 9.5 m Hydraulic Control	088105-1	1	
35	Grommet, FM54 Rubber	087065	5	
36	Bolt, M10 x 80-8.8 Hex Head Zinc	F81003-50	4	
37	Washer, 10.5 Zinc Flat	F81055-1	8	
38	Nut, M10-8-B Hex Nylon Zinc Lock	F81033-1	5	
39	Bolt, M12 x 30-8.8 Hex Head Full Thread Zinc	F81004-22	2	
40	Washer, 13 Zinc Flat	F81056-1	4	
41	Nut, M12-8 Hex Nylon Zinc Lock	F81034-2	2	
	Matrix, Diode Hydraulic	096963	2	
	VALVE CONNECTOR, WITH BUILT-IN LED	094556		

9.3 Hydraulic Control Box



REF.	DESCRIPTION (◆ Indicates Parts Available In Assemblies Only)	PART #	QTY
	Box, 9.5m Frame Hydraulic Control, complete	088178	1
	BOX, 9.5 M FRAME HYDRAULIC CONTROL	088164	1
1	Box Weldment, Hydraulic Control	088163-1	1
2	Gasket, 9.5 m Frame	089998	1
3	Panel, 9.5 mHydraulic Control Box Front	089997-1	1
4	Decal, Hydraulic Control Box (9 m Frame)	088159	1
5	Screw, #10-24 x 1/2 Pan Head	F05015-17	8
6	Seal, DP 29/H Gland	F81096-1	1
7	Bumper, A/022 Rubber	088376	2
8	Joystick, PMJN8T3	096928	12

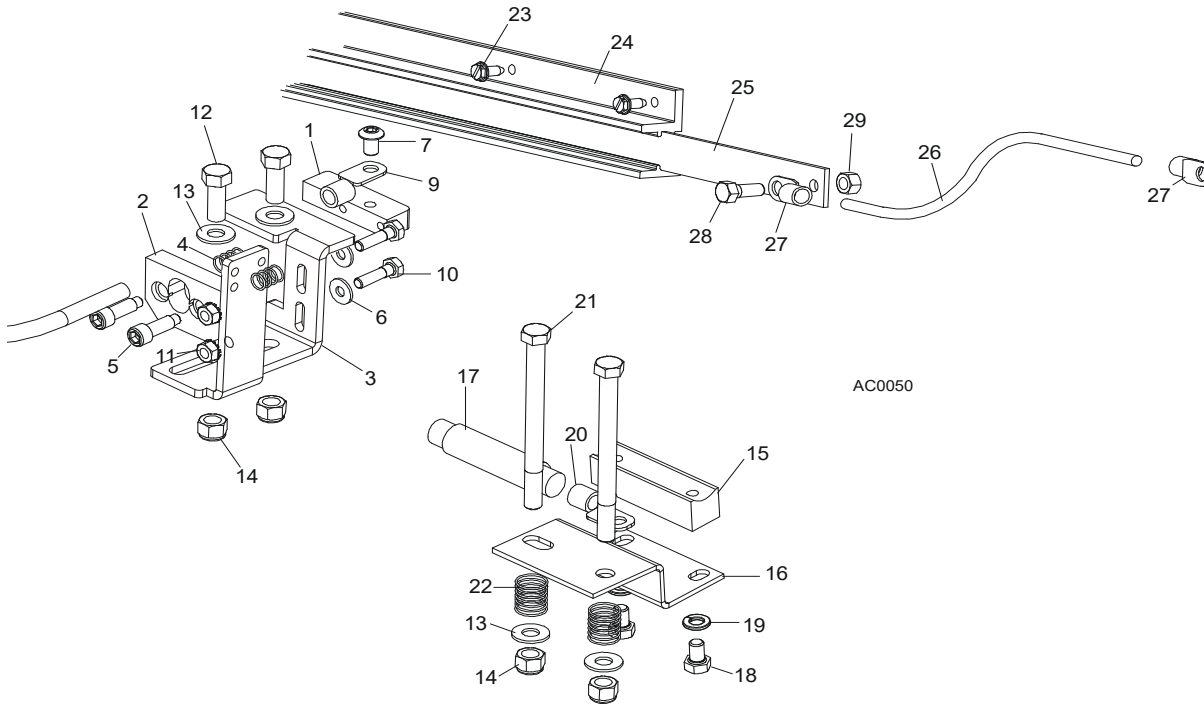


HYDRAULIC SYSTEM

Hydraulic Control Box

9	Contact, 1NO PL004002	096929	24	
10	Cover, Hydraulic Control Box (9.5 m Frame)	088172-1	1	
11	Bolt, M6X12-8.8 Zinc Hex Head	F81001-7	3	
12	Washer, 6.4 Flat Zinc	F81053-1	3	
13	Nut, M6-8-B Hex Nylon Lock Zinc	F81031-2	3	
14	ARM, CONTROL BOX PIVOT ZINC-PLATED	088169-1	1	
15	MOUNT WELDMENT, CONTROL BOX PIVOT ARM	088176-1	1	
16	Washer, Pivot Arm Base	088180-1	1	
17	BOLT, M8x65-5,8 HEX HEAD ZINC	F81002-3	2	
18	BOLT, M8x25-8.8-B HEX HEAD FULL THREAD ZINC	F81002-5	1	
19	NUT, M12-8-B ZINC HEX	F81034-1	1	
20	WASHER, 8.4 FLAT ZINC	F81054-1	3	
21	WASHER, Z12.2 SPLIT LOCK ZINC	F81056-2	1	

9.4 Hydraulic Power Supply Strip



REF.	DESCRIPTION (◆ Indicates Parts Available In Assemblies Only)	PART #	QTY	
	CONTACT KIT, HYDRAULIC 6' POWER SUPPLY	A12042-N	1	
	Contact Hardware Kit	A10073-N	1	◆
	Contact Assembly, Hydraulic Power Supply (Positive)	085968	1	
1	Contact, Hydraulic Power Supply (Positive)	015253	1	
2	Insulator, Positive Contact	S10072	1	
3	Bracket, Positive Contact Mounting	086380-1	1	
4	Spring, Positive Contact	P10077	2	
5	Bolt, 5/16" X 3/4" Shoulder (1/4-20 Thread)	F05006-44	2	
6	Washer, 7.4 Flat	F81056-11	2	
7	Bolt, 5/16-18 x 1/2" Socket Button Head	F05006-20	1	
	Cable Assy, Hydraulic Positive Contact	015885	1	
8	Cable, #1 Weld	R01948	0.75m	◆
9	Terminal, 35 Ring #2 Gauge	F81066-3	2	
10	Bolt, 1/4-20 X 1" Hex Head Grade 2	F05005-38	2	
11	Nut, 1/4-20 Hex Self-Locking	F05010-9	2	
12	Bolt, 3/8-16 X 1" Hex Head Grade 5	F05007-87	2	
13	Washer, 10.5 Flat	F81055-1	4	
14	Nut, 3/8-16 Hex Nylon Lock	F05010-10	4	
	Contact Assembly, Hydraulic Power Supply (Ground)	A10066	1	
15	Contact, Hydraulic Power Supply (Ground)	015264	1	
16	Bracket, Ground Contact Mounting	015265	1	
17	Cable, #1 Weld	R01948	.63m	◆
18	Bolt, 5/16-18 X 1/2" Hex Head Grade 5	F05006-15	2	
19	Washer, 8.2 Split Lock	F81054-4	2	
20	Terminal, 35 Ring #2 Gauge	F81066-3	1	

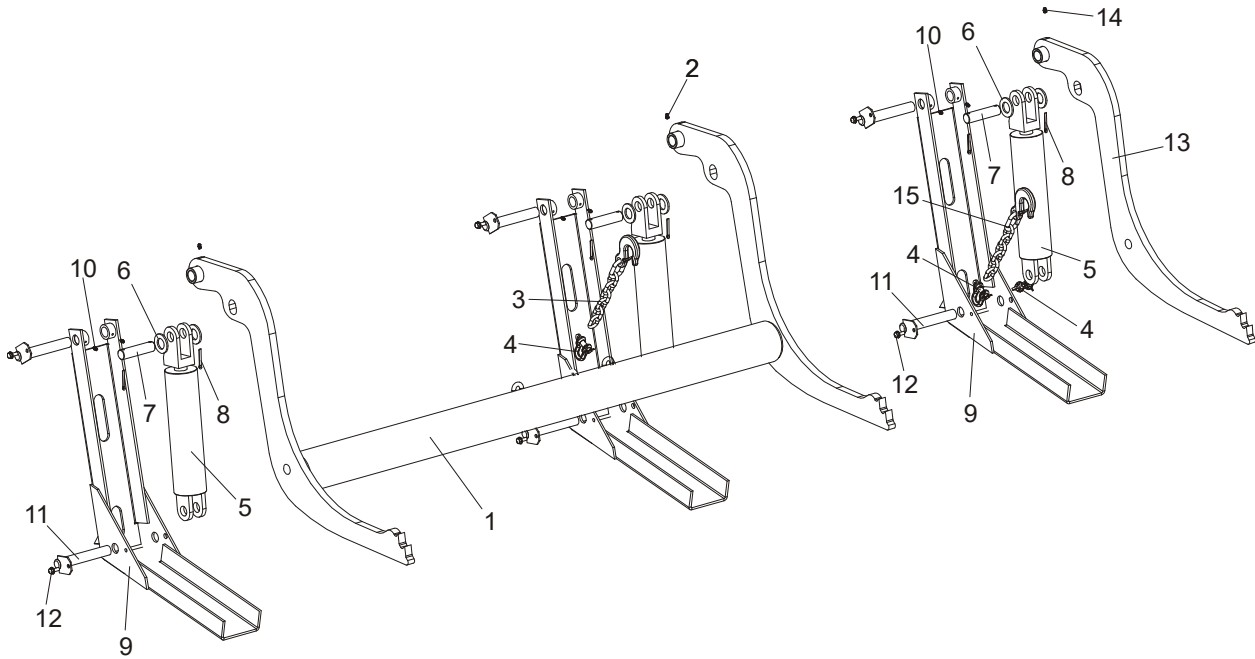


HYDRAULIC SYSTEM

Hydraulic Power Supply Strip

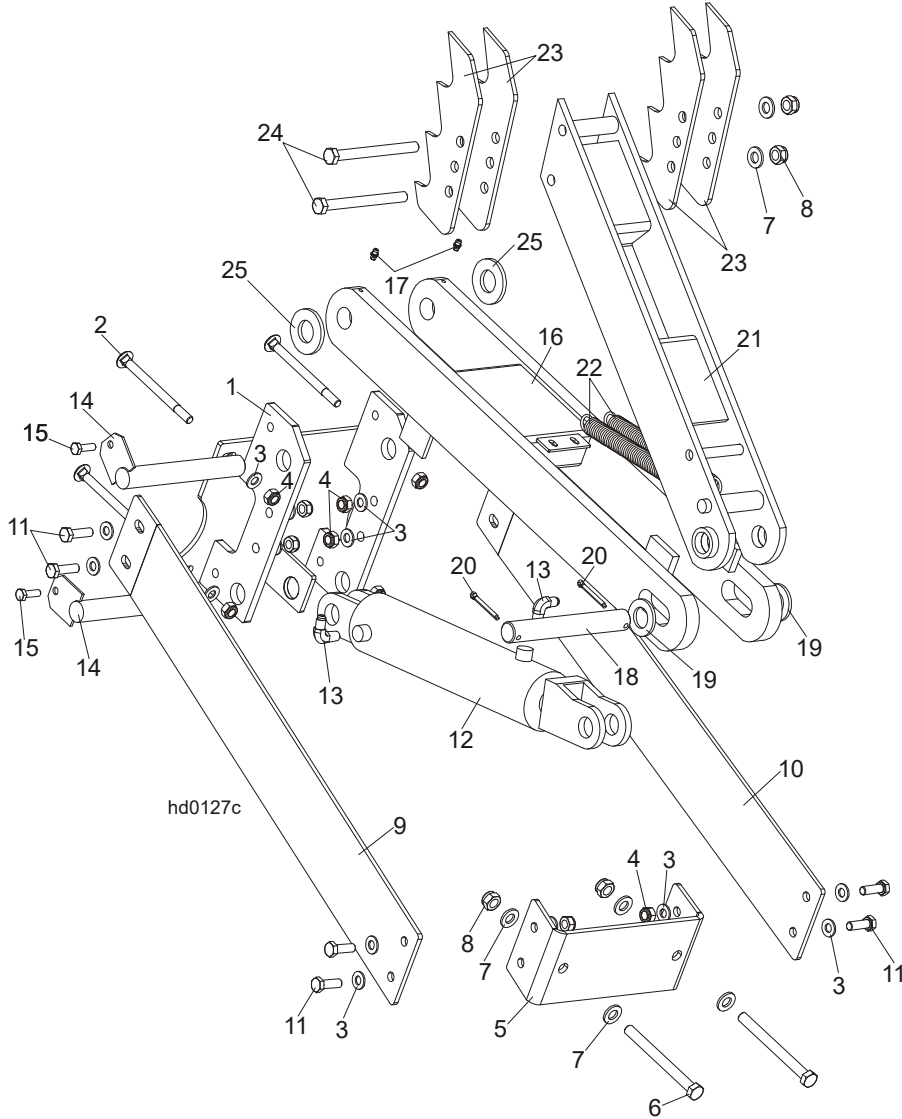
21	Bolt, 3/8-16 X 4 1/2" Hex Head Grade 2	F05007-35	2	
22	Spring, Ground Contact	P04282	2	
23	Screw, 1/4-20 X 1/2" Slotted Hex Head	F05015-1	14	
	Strip Assembly, 6' Hydraulic Power Supply w/3 ft. Cable	A11977	1	
24	Housing, 6' Contact Strip	P11976	1	
	Strip, 6' Contact With Cable	A12043-N	1	
25	Strip, 6' Contact	S10075	1	◆
26	Cable, #2 Weld	R80583-21		◆
27	Terminal, 35 Ring #2 Gauge	F81066-3	2	
28	Bolt, 5/16-18 X 3/4" Hex Head Black Nylon	F05006-45	1	
29	Nut, 5/16-18 Hex Black Nylon	F05010-86	1	
	Tube, 5/8" Heat Shrink	R01950-5	.03m	◆
	Grommet, 5/8" Wire	P04137	1	

9.5 Hydraulic Log Loader



REF.	DESCRIPTION (◆ Indicates Parts Available In Assemblies Only)	PART #	QTY
	HYDRAULIC LOG LOADER - COMPLETE	090044	1
1	Log Loader	090006-1	1
2	Fitting, 3/16" Straight Grease	P04107	2
3	CHAIN, LOG LOADER SAFETY	A04376-1	1
4	SHACKLE, M-D .63	086540	2
5	CYLINDER, CJ-S95-16-70/32/203 HYDRAULIC	088680	3
	WASHER, 28 FLAT ZINC	F81061-1	6
6	PIN, LOADING ARM CYLINDER MOUNT ZINC	086979-1	3
	PIN, S-Zn 5x40 COTTER	F81043-31	6
	Foot, Log Loader	090048-1	3
7	Fitting, 3/16" Straight Grease	P04107	6
8	PIN, LOADER FOOT MOUNT	099127-1	6
9	SCREW, 5/16-18 x 3/4 SELF-TAPPING	F05015-30	6
	Arm, Log Loading Single - Complete	090051	1
10	Arm, Hydraulic Log Loading	089657-1	1
11	Fitting, 3/16" Straight Grease	P04107	1
12	Chain, Single Log Loader Arm, 9.5m frame	090090-1	1

9.6 Hydraulic Log Turner

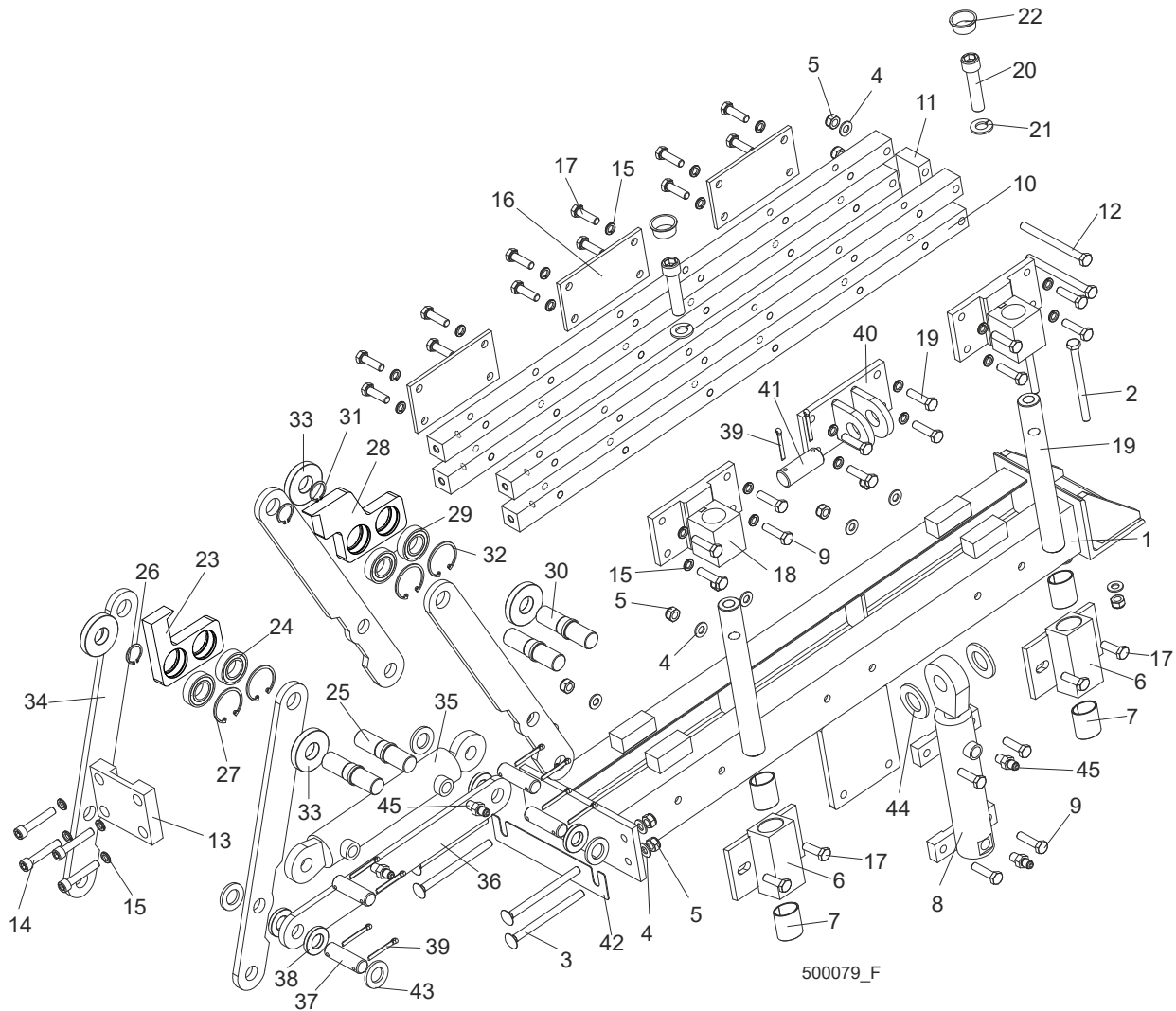


REF.	DESCRIPTION (◆ Indicates Parts Available In Assemblies Only)	PART #	QTY
	HYDRAULIC LOG TURNER, 9.5 M - COMPLETE	088073	1
	HYDRAULIC LOG TURNER, HYDRAULIC STANDARD PLUS	088073-HP	1
1	Bracket, Hydraulic Log Turner	088710-1	1
2	Bolt, M10x120 8.8 Carriage Zinc	F81003-33	4
3	Washer, 10,5 Flat Zinc	F81055-1	20
4	Nut, M10-8-B -Hex Nylon Zinc Lock	F81033-1	12
5	Bracket, Hydraulic Log Turner Front	091046-1	1
6	Bolt, M12x130-8.8-Hex Head Zinc	F81004-36	2
7	Washer, 13 Flat Zinc	F81056-1	6
8	Nut, M12-8 Hex Nylon Zinc Lock	F81034-2	4

9	Plate, Short Log Turner Left Brace	094364-1	1	
10	Plate, Short Log Turner Right Brace	094365-1	1	
11	Bolt, M10x30-5.8-Hex Head Full Thread Zinc	F81003-2	8	
	Cylinder, Log Turner Hydraulic	015563 ¹	1	
12	Cylinder, CJ-S305-16-63/28/203 Hydraulic	088679	1	
13	Fitting, 1/4NPTx1/4JIC Male Elbow	P09142	2	
14	Pin, Log Turner Mount Zinc	088667-1	2	
15	Bolt, M8X25-8.8-B-Hex Head Full Thread Zinc	F81002-5	2	
16	Arm, Hydraulic Log Turner Link	088060-1	1	
17	Grease, M6 typ A Fitting	086280	2	
18	Pin, 25 x 185	088664	1	
19	Washer, 25 Flat Zinc	F81061-3	2	
20	Pin, S-Zn 5x40 Cotter	F81043-31	2	
21	Arm Weldment, Hydraulic Log Turner	088067-1	1	
22	Spring, Hydraulic Log Turner Arm	015718	2	
23	Claw, Hydraulic Log Turner	088082-1	4	
24	Bolt, M12x130-8.8-Hex Head Zinc	F81004-36	2	
25	Washer, GTM-2644-015	093359	2	

¹ For 088073-HP Cylinder Assembly -555239 [See Section 9.30](#)

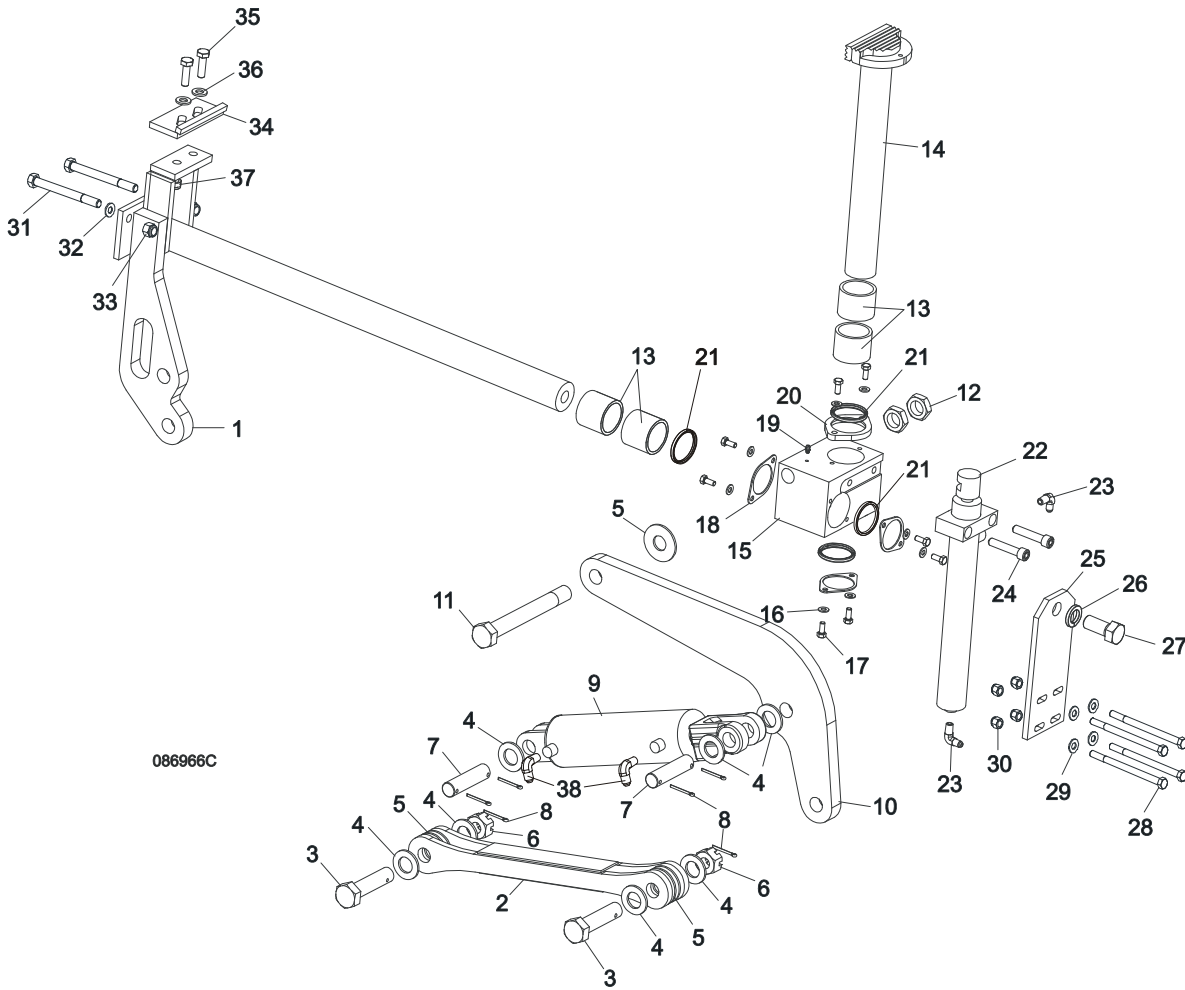
9.7 Hydraulic Log Clamp, Front and Rear



REF.	DESCRIPTION (◆ Indicates Parts Available In Assemblies Only)	PART #	QTY
	CLAMP ASSEMBLY, HYDRAULIC	089545	2
1	Mount Weldment, Hydraulic Log Clamp	088654-1	1
2	Bolt, M10x125-8.8 Hex Head Zinc	F81003-18	2
3	Bolt, M10x130-8.8 Mushroom Head Square Neck Zinc	F81003-36	4
4	Washer, 10.5 Flat Zinc	F81055-1	18
5	Nut, M10-8-B Hex Nylon Zinc Lock	F81033-1	16
	BLOCK WELDMENT, LOG CLAMP	089835	2
6	Block Weldment, Log Clamp	088652-1	1
7	Bushing, 3040BS Self-lubricating	088676	2
8	Cylinder, CJ7F-16-40/22 + UE2-40W Hydraulic	088662	1
9	Bolt, M10x40-8.8 Hex Head Full Thread Zinc	F81003-16	14
10	Bar, Clamp Up/Down	089537-1	4
11	Plate, Connecting	088645-1	1
12	Bolt, M10x140-8.8 Hex Head Zinc	F81003-5	2

13	Plate, Connecting	089533-1	1	
14	Screw, M10x40-8.8 Hex Socket Head Cap Zinc	F81003-22	4	
15	Washer, 10.2 Split Lock Zinc	F81055-2	28	
16	Plate, Log Clamp Rear	089538-1	3	
17	Bolt, M10x35-8.8 Hex Head Full Thread Zinc	F81003-17	18	
18	Bracket, Guide Pin Mount	089536-1	2	
19	Pin, Clamp Up/Down Guide	088631	2	
20	Screw, M16x55-8.8 Hex Socket Head Cap Zinc	F81006-18	2	
21	Washer, 16.3 Split Lock Zinc	F81058-2	2	
22	Plug, M33 Thread	089839	2	
	Jaw, Log Clamp Narrow - Complete	094700	1	
23	Jaw, Log Clamp Narrow	093464-1	1	
24	Bearing, 6005 2RSH SKF	550540	4	
25	Shaft, Clamp Jaw Guide	088620-1	4	
26	Ring, Z24 Outside Retaining	089654	4	
27	Ring, W47 Inside Retaining	089653	4	
	Jaw, Log Clamp Wide - Complete	094701	1	
28	Jaw, Log Clamp Wide	093465-1	1	
29	Bearing, 6005 2RSH SKF	550540	4	
30	Shaft, Clamp Jaw Guide	088620-1	4	
31	Ring, Z24 Outside Retaining	089654	4	
32	Ring, W47 Inside Retaining	089653	4	
33	Washer, Clamp Jaw Spacer	089542	4	
34	Bar, Clamp In/Out Side	088622-1	4	
35	Cylinder, SJ2F-40/22/145 Hydraulic	088661	1	
36	Bar, Clamp In/Out Lower	088623-1	1	
37	Pin, 20X75	088657-1	4	
38	Spacer, Lower	089541	4	
39	Pin, S-Zn 5x40 Cotter	F81043-31	10	
40	Bracket, Vertical Cylinder Mount Upper	089540-1	1	
41	Pin, 25X75	088659-1	1	
42	Washer, Clamp Jaw Spacer	501843	1	
43	Washer, 21 Flat Zinc	F81059-2	8	
44	Washer, 28 Flat Zinc	F81061-1	2	
45	Fitting, 1/4NPTx1/4JIC Male	P09143	4	

9.8 Hydraulic Log Clamp

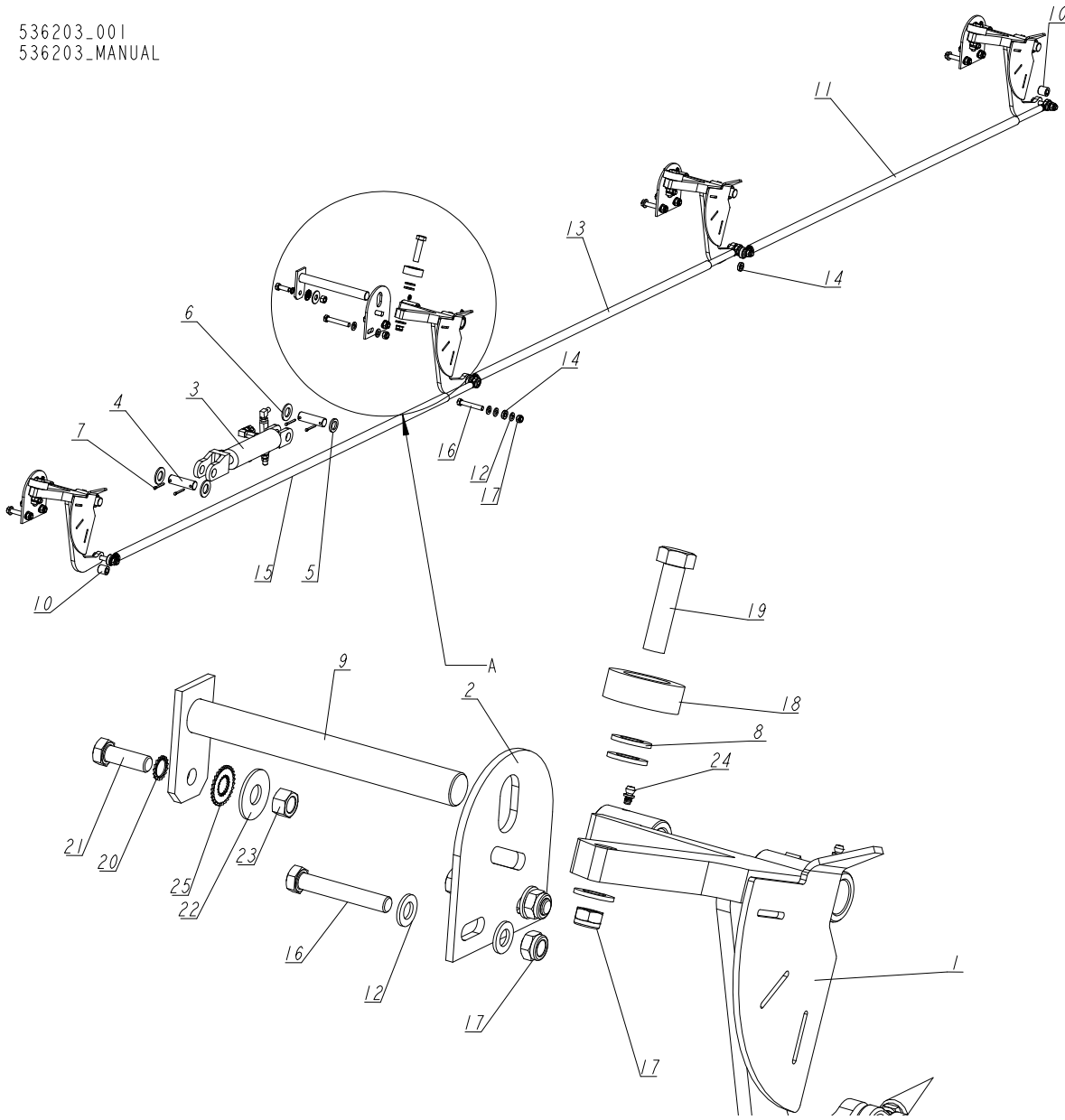


REF.	DESCRIPTION (◆ Indicates Parts Available In Assemblies Only)	PART #	QTY
	HYDRAULIC LOG CLAMP ASSEMBLY	088658	1
1	Rod Weldment, Log Clamp Slide	086967-1	1
2	Arm Weldment, Hydraulic Clamp Link	086963-1	1
3	Pin, B 24x95/85-Clevis Zinc	F81049-2	1
4	Washer, 25 Flat Zinc	F81061-3	8
5	Washer, 25X63 Zinc-Plated	088585-1	5
6	Nut, Z M20-8-B-Slotted Castle Zinc	F81037-3	2
7	Pin, Hydraulic Cylinder Zinc-Plated	086979-1	2
8	Pin, S-Zn 6,3x45 Cotter	F81045-2	6
9	Cylinder, CJ-S96-16-70/32/178 Hydraulic	088589	1
10	Arm, Hydraulic Log Clamp Link	086974-1	1
11	Bolt, M24x217/39 -8.8-B- Hex Head Zinc	088586-1	1
12	Nut, M24 -04-B- Hex Thin Zinc	F81039-3	2
13	Bushing, 5040BS Self-Lubricating	088660	2
14	Rod Weldment, Log Clamp Vertical	088582-1	1
15	Block, Log Clamp Steel	088591-1	1
16	Washer, 8.4 Flat Zinc	F81054-1	8

17	Bolt, M8x20-8.8-B-Hex Head Full Thread Zinc	F81002-4	8	
18	Flange, Clamp Rod Wiper	088887-1	3	
19	Fitting, 3/16" Straight Grease	P04107	1	
20	Flange, Clamp Rod Wiper	088887-1	1	
21	Wiper, ZZ 50x60x7 Log Clamp Rod	088587	1	
22	Cylinder, CJ-S169-16-40/22/254 Hydraulic	088590	1	
23	Fitting, 1/4" NPT - 1/4" JIC Male Elbow	P09142	2	
24	Screw, M12x55 -8.8-B-Hex Socked Head Cap Zinc	F81004-23	2	
25	Plate, Log Clamp Mount	086975-1	1	
26	Washer, Z 22,5 Split Lock	F81059-4	1	
27	Bolt, M22x1,5x40 -8.8-B-Hex Head Full Thread Zinc	F81009-1	1	
28	Bolt, M10 x 125-8.8 Hex Head Zinc	F81003-18	4	
29	Washer, 10.5 Flat Zinc	F81055-1	8	
30	Nut, M10-8-B Hex Nylon Zinc Lock	F81033-1	4	
31	Bolt, M12x130-8.8-Hex Head Zinc	F81004-36	2	
32	Washer, 13 Flat Zinc	F81056-1	2	
33	Nut, M12-8 Hex Zinc	F81034-1	2	
	STOP KIT, CLAMP	K09485	1	
34	Stop Widmt, Hydraulic Log Clamp	086980-1	1	
35	Bolt, M12 x 40 8.8 Hex Head Full Thread Zinc	F81004-4	2	
36	Washer, 13 Flat Zinc	F81056-1	2	
37	Nut, M12-8 Hex Nylon Zinc Lock	F81034-2	4	
38	Fitting, 3/8JIC-1/4NPT 90L	015491	2	

9.9 Hydraulic Side Supports Assembly "L" (536203)

536203_001
536203_MANUAL

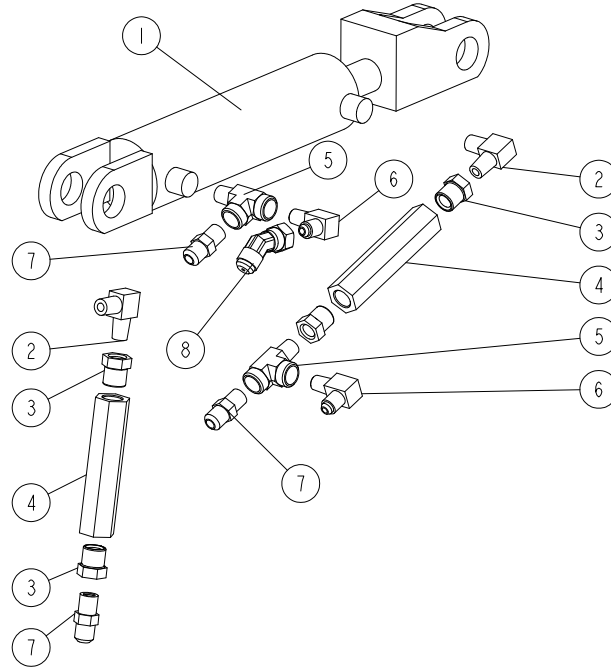


REF.	DESCRIPTION (◆ Indicates Parts Available In Assemblies Only)	PART #	QTY
-	HYDRAULIC SIDE SUPPORTS ASSEMBLY - "L"	536203	1
1	SUPPORT, HYDRAULIC LOG SIDE W/GUARD 2	099788-1	4
2	PLATE, LOG SIDE SUPPORT MOUNT PTD.	091591-1	4
3	Cylinder assembly, 2X6 SUPER hydraulic See Section 9.10	015561	1
4	pin, hydraulic cylinder zinc-plated	086979-1	2
5	washer, 26 - DIN 1440 flat	F81054-8	1
6	washer, 28 Flat zinc	F81061-1	3
7	pin, S-Fe 5x40 cotter	F81043-31	4
8	washer, 17 flat zinc	F81058-1	12
9	pin, side support zinc-plated	091549-1	4

REF.	DESCRIPTION (◆ Indicates Parts Available In Assemblies Only)	PART #	QTY
10	bushing, 13/25-25 zinc	505895-1	2
11	rod, side support - complete L=1675, frame 9.5m See Section 9.11	089842	1
12	washer, 13-Flat zinc	F81056-1	26
13	rod, side support - complete L=1480, frame 9,5m See Section 9.11	089376	1
14	bushing, 12.2/25-6.5 zinc	541891-1	2
15	rod, side support - complete L=2115 - "L" See Section 9.11	536204	1
16	bolt, M12X75-8.8-hex head zinc	F81004-21	12
17	nut, M12- 8- DIN 982 hex nylon zinc lock	F81034-2	16
18	Roller Assy, Flip Dog	015014	4
19	bolt, M16x65, 8.8 hex head full thread zinc	F81006-1	4
20	washer, BN781 M12/13 externally serrated	F81056-16	4
21	bolt, M12X35 8.8 hex head zinc	F81004-24	4
22	washer, 15 Flat special zinc plated	F81057-3	4
23	nut, M12-8 zinc	F81034-1	4
24	Fitting, 3/16x3/16 Straight Grease	P04107	8
25	washer, BN781 M12/13 externally serrated	F81056-17	4

9.10 Hydraulic Cylinder (015561)

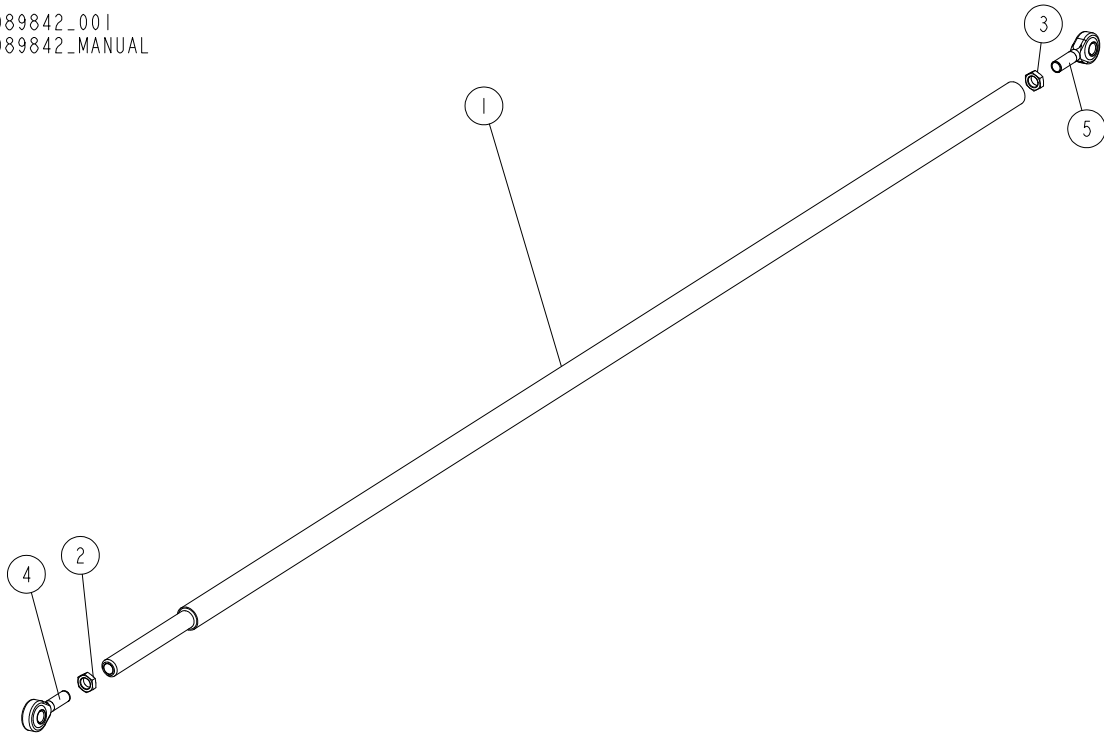
015561_001
015561_MANUAL



REF.	DESCRIPTION (◆ Indicates Parts Available In Assemblies Only)	PART #	QTY
-	HYDRAULIC CYLINDER, 2X6 OPORY SUPER	015561	1
1	Cylinder, 2x6 Welded	088678	1
2	Fitting, 1/4NPT Male Pipe Elbow	P09140	2
3	Fitting, 3/8NPT-1/4NPT Reducer	015490	4
4	Valve, Side Support Sequence	015484	2
5	Fitting, 1/4NPTx1/4JIC Male Run Tee	P09141	2
6	Fitting, 3/8JIC-1/4NPT 90L	015491	2
7	Fitting, 3/8JIC-1/4NPT Str	015560	3
8	fitting, M/F-90-9/16 JIC elbow	509418	1

9.11 Side Support Rod "L"

089842_001
089842_MANUAL



REF.	DESCRIPTION (◆ Indicates Parts Available In Assemblies Only)	PART #	QTY	
-	SIDE SUPPORT ROD - COMPLETE L=1675, FRAME 9.5m	089842	1	
-	SIDE SUPPORT ROD - COMPLETE L=1480	089376	1	
-	SIDE SUPPORT ROD - COMPLETE L=2115	536204	1	
1	rod, side support zinc-plated L=1605, frame 9.5 m	089530-1 ¹	1	
	rod, side support zinc-plated. L=1420, frame 9,5m	089374-1 ²	1	
	rod, side support zinc-plated L=1955, "L"	536205-1 ³	1	
2	nut, M12-04-A thin	F81034-6	1	
3	nut, M12 LH-04-A left thread thin	F81034-7	1	
4	END, ROD LEFT THREAD	087036	1	
5	END, ROD right THREAD	087035	1	

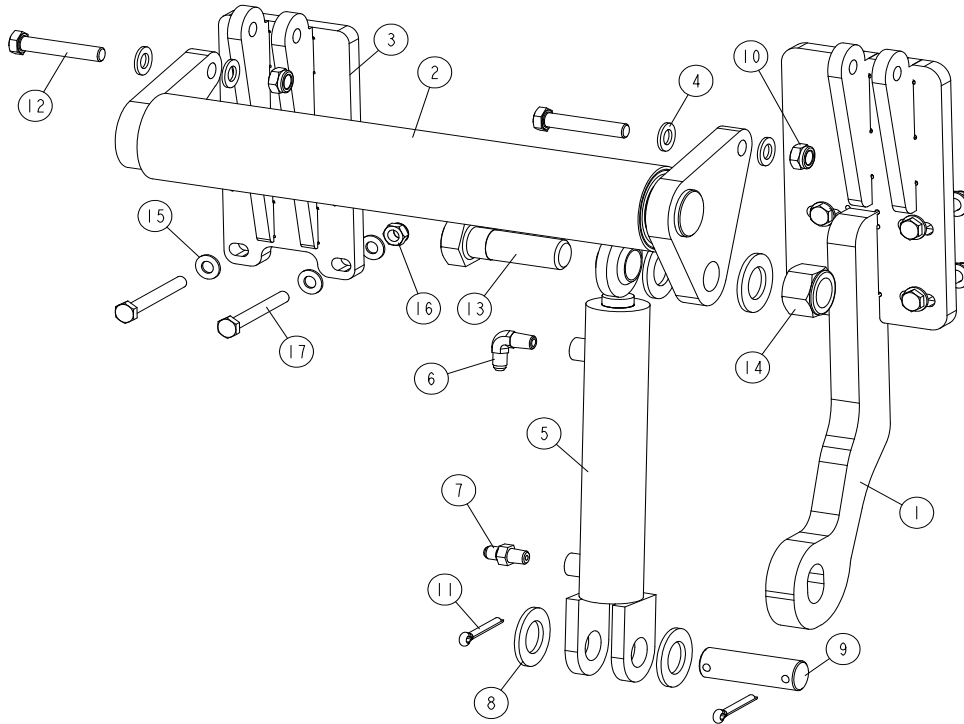
¹ Included in 089842

² Included in 089376

³ Included in 536204

9.12 Hydraulic Toe Board, Middle

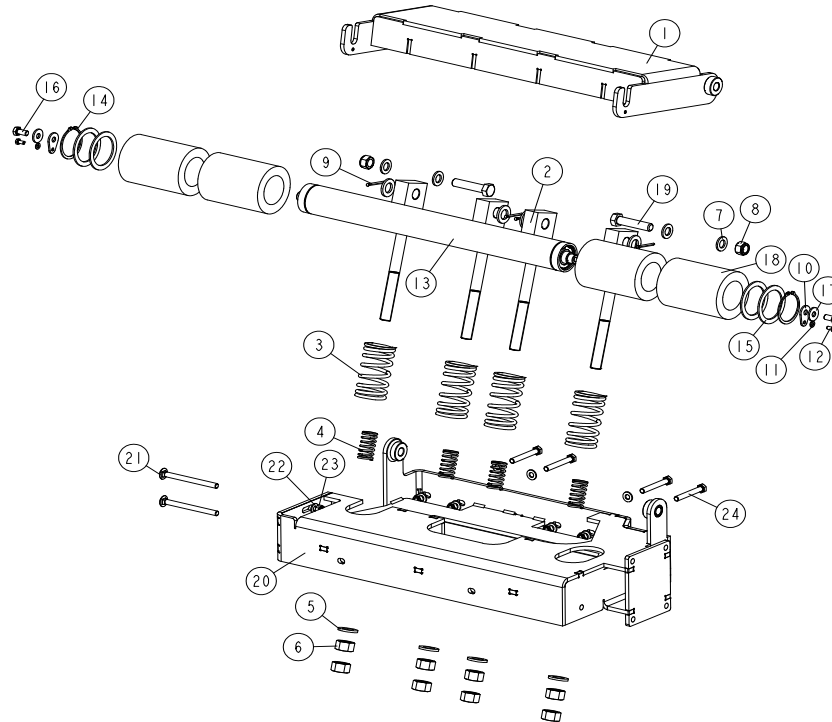
536206_001
536206_MANUAL



REF	DESCRIPTION (u indicates parts available in assemblies only)	PART #	QTY
-	ROLLER, TOE BOARD LEFT	536206	1
1	BRACKET, MIDDLE ROLLER - L-FRAME	536209-1	1
2	ROLLER WELDMENT, HYDRAULIC TOE BOARD	086253-1	1
3	MOUNT WELDMENT, TOE BOARD ROLLER	568310-1	1
4	WASHER, 13 FLAT ZINC	F81056-1	4
-	CYLINDER ASSEMBLY, HYDRAULIC TOE BOARD	085937	1
5	CYLINDER, CJ-S170-16-40/25/152 HYDRAULIC	088681	1
6	Fitting, 1/4NPTx1/4JIC Male Elbow	P09142	1
7	Fitting, 1/4NPTx1/4JIC Male	P09143	1
8	WASHER, 28 FLAT ZINC	F81061-1	4
9	PIN, HYDRAULIC CYLINDER ZINC-PLATED	086979-1	1
10	NUT, M12-8 HEX NYLON ZINC LOCK	F81034-2	2
11	PIN, S-ZN 6,3X45 CONNER	F81045-2	2
12	BOLT, M12X70-8.8 HEX HEAD ZINC	F81004-39	2
13	Bolt, 1-8x3 1/4 HH GR5	F05009-51	1
14	NUT, 1-8 HEX NYLON LOCK ZINC	F05010-109	1
15	WASHER, 10.5 FLAT ZINC	F81055-1	16
16	NUT, M10-8-B NYLON HEX ZINC LOCK	F81033-1	8
17	BOLT, M10X85-8.8 HEX HEAD ZINC	F81003-125	8

9.13 Shock Absorber Assembly - Option for Sawmills Equipped with Hydraulics

550191_001
550191_MANUAL



REF	DESCRIPTION (◆ indicates parts available in assemblies only)	PART #	QTY
-	SHOCK ABSORBER, SHORT	550191	1
-	short ROLLER, SHOck absorber	550192	1
1	roller PLATE, shock absorber	550189-1	1
2	ROD WELDMENT, BUMPER SPRING	510818-1	4
3	SPRING, 110X46X6.5 CUSHION	510815	4
4	SPRING, 60X23X3	088992	4
5	WASHER, 21 FLAT ZINC	F81059-2	8
6	NUT, M20-8 HEX ZINC	F81037-1	8
7	WASHER, 17 FLAT ZINC	F81058-1	4
8	NUT, M16-8 HEX NYLON ZINC LOCK	F81036-2	2
9	PIN, 4X30 COTTER ZINC-PLATED	F81043-22	4
10	WASHER, WM4000 ROLLER MOUNTING	510874-1	2
11	WASHER, 6.4 FLAT ZINC	F81053-1	2
12	BOLT, M6X12-8.8 HEX HEAD FULL THREAD ZINC	F81001-7	2
-	ROLLER W/RUBBER BUSHING	527048	1
13	ROLLER, FRAME M/S	527044-1	1
14	RING, Z60 OUTSIDE RETAINING	F81090-62	2
15	RING, 61/80X3 SPACER	515895	4
16	BOLT, M10X20-5.8 HEX HEAD FULL THREAD ZINC	F81003-1	2
17	WASHER, 10.5 SPECIAL FLAT ZINC	F81055-6	2

9

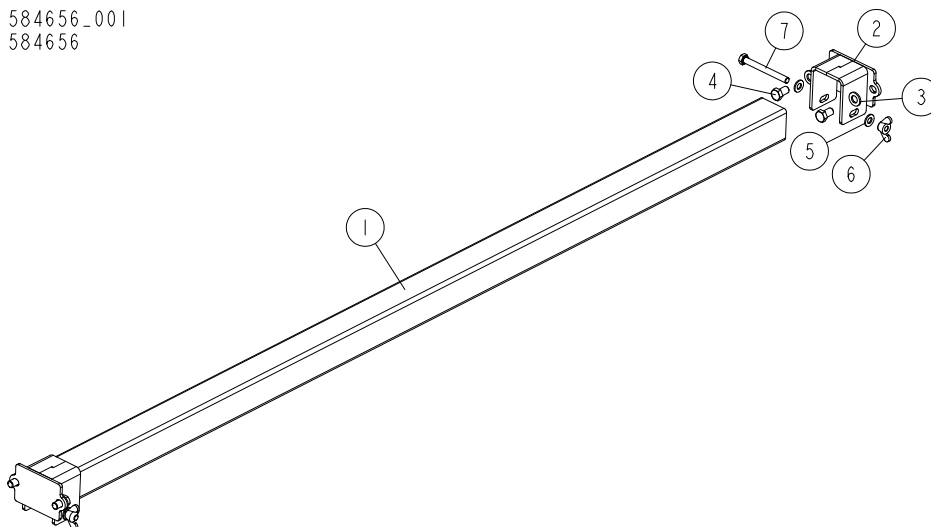
HYDRAULIC SYSTEM

Shock Absorber Assembly - Option for Sawmills Equipped with Hydraulics

REF	DESCRIPTION (◆ indicates parts available in assemblies only)	PART #	QTY	
18	ROLLER, RUBBER	517493	4	
19	BOLT, M1 6X75-8.B-B HEX HEAD FULL THREAD	F81006-10	2	
20	FRAME, SHORT TABLE	550187-1	1	
21	BOLT, M10X125 CARRIAGE	F81003-34	2	
22	WASHER, 10.5 FLAT ZINC	F81055-1	10	
23	NUT, M10-8-B HEX NYLON ZINC LOCK	F81033-1	6	
24	BOLT, M10X75-8.8 HEX HEAD ZINC	F81003-15	4	

9.14 Loader-Arm Rail - "L" Frame

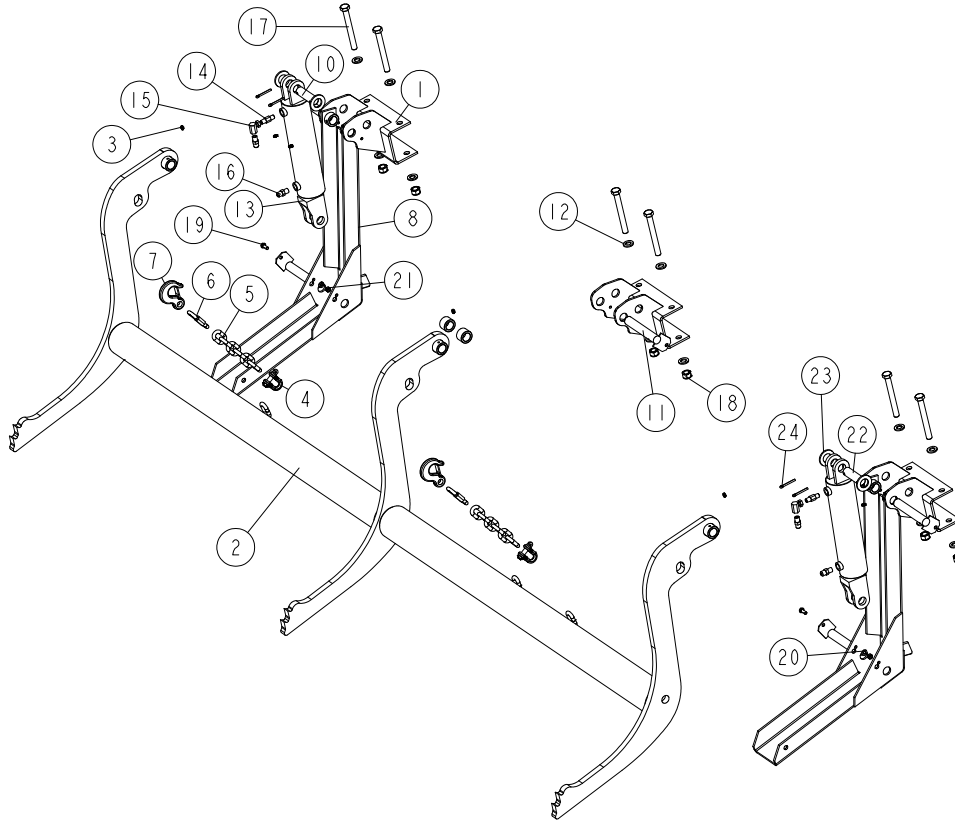
584656_001
 584656



REF	DESCRIPTION (u indicates parts available in assemblies only)	PART #	QTY
-	RAIL, LOADER-ARM "L" FRAME	584656	1
1	TUBE, "L" FRAME 2+1 LOADER CONNECTION BRACKET	568390-1	1
2	BRACKET, CONNECTION LOADER	584650-1	2
3	WASHER, 13 FLAT ZINC	F81056-1	4
4	BOLT, M12X20-8.8 HEX HEAD FULL THREAD ZI	F81004-67	4
5	WASHER, 10.5 FLAT ZINC	F81055-1	4
6	NUT, M10 WING	F81033-8	2
7	BOLT, M10X95-8.8-B HEX HEAD ZINC	F81003-71	2

9.15 Log Loader, 3-arms, L-Frame

527060_001_A
527060_MANUAL

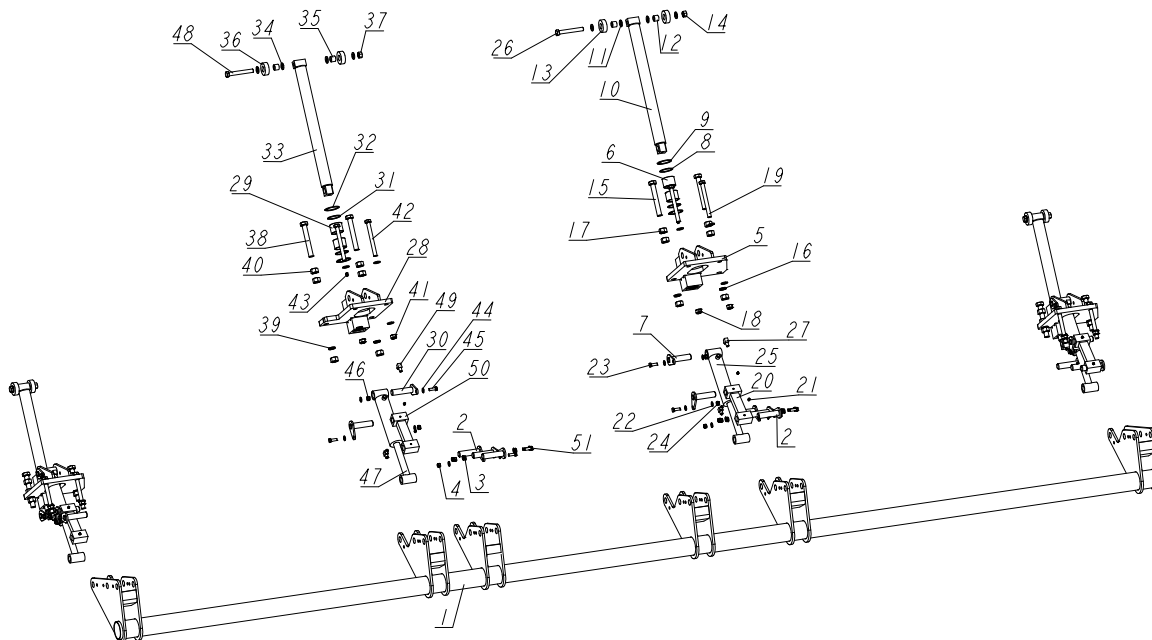


REF	DESCRIPTION (◆ indicates parts available in assemblies only)	PART #	QTY
-	LOG LOADER, 3-ARMS, L-FRAME	527060	1
1	BRACKET, LOG LOADER ('M" SUPER FRAME)	500747-1	3
-	LOG LOADER, FRAME 9,5M - COMPLETE	527059	1
2	LOG LOADER, WLDMT/PTD.	527058-1	1
3	Fitting, 3/16x3/16 Straight Grease	P04107	3
4	SHACKLE, M-D .63	086540	2
-	CHAIN, HYDRAULIC LOG LOADER SAFETY	A04376	2
5	CHAIN, N-10X35 - 6-LINK	100951-1	1
6	CARABINER 10	100767	1
7	HOOK, 5/8 SAFTEY CHAIN	P12075	1
-	COMPLETE LOG LOADER FOOT, 9.5 M FRAME	090049	2
8	FOOT WELDMENT, LOG LOADER (9.5 M FRAME)	090048-1	1
9	Fitting, 3/16x3/16 Straight Grease	P04107	2
10	PIN WELDMENT, LOADER	099127-1	5
11	BOLT, 5/16-18 X 3/4 SELF-TAPPING	F05015-30	3
12	WASHER, 17 FLAT ZINC	F81058-1	12
-	CYLINDER ASSY, LOG LOADING SUPER	015562	2
13	CYLINDER, CJ-S95-16-70/32/203 HYDRAULIC	088680	1
14	FITTING, 1/4NPT VELOCITY FUSE 5.0GPM	015750	1

REF	DESCRIPTION (◆ indicates parts available in assemblies only)	PART #	QTY	
15	Fitting, 1/4NPT-1/4JIC Swivel Elbow	P12199	1	
16	FITTING, 3/8JIC-1/4NPT STRAIGHT	015560	2	
17	BOLT, M16X140-8.8 HEX HEAD ZINC	F81006-4	6	
18	NUT, M16-8 HEX NYLON ZINC LOCK	F81036-2	6	
19	BOLT, M8X20-8.8-B HEX HEAD FULL THREAD Z	F81002-4	2	
20	WASHER, 8.4 FLAT ZINC	F81054-1	2	
21	NUT, M8-8-B HEX NYLON ZINC LOCK	F81032-2	2	
22	PIN, HYDRAULIC CYLINDER ZINC-PLATED	086979-1	2	
23	WASHER, 28 FLAT ZINC	F81061-1	4	
24	PIN, S-ZN 5X40 COTTER	F81043-31	4	
25	BUSHING, 25.8/38-26	557134-1	2	

9.16 Vertical Side Support Kit - L-type frame

503567_001
503567_MANUAL

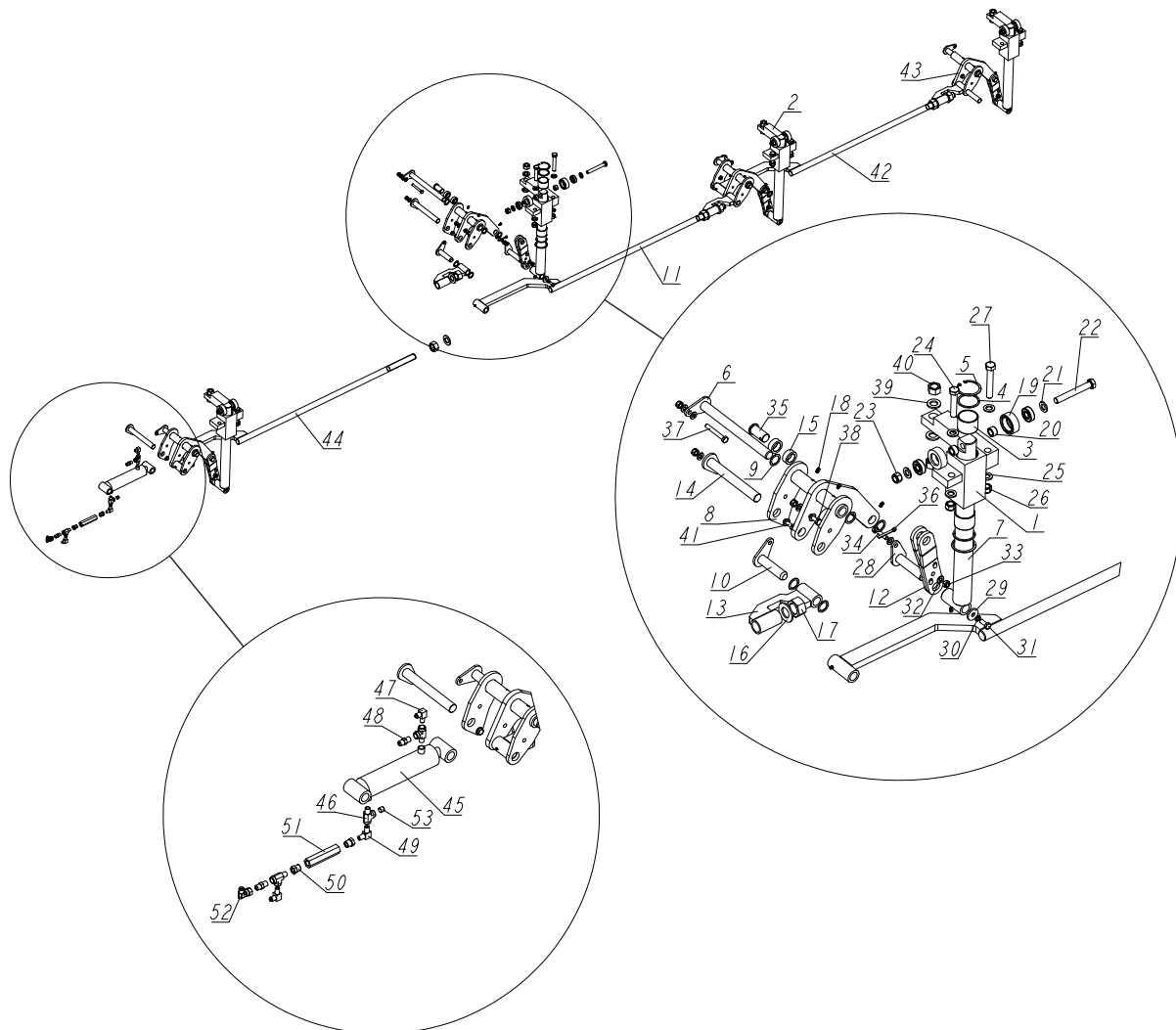


REF	DESCRIPTION (◆ indicates parts available in assemblies only)	PART #	QTY
-	SUPPORT KIT, SPECIAL VERTICAL SIDE (L)	503567	1
1	Mount weldment, vertical side support L-Type frame	500001-1	1
2	PIN WELDMENT, VERTICAL SIDE SUPPORT ZINC	091197-1	12
3	WASHER, 10.5 FLAT ZINC	F81055-1	24
4	NUT, M10-8-B HEX NYLON ZINC LOCK	F81033-1	12
-	VERTICAL SIDE SUPPORT FOR STATIONARY FRA	508957	3
5	Mount weldment, LT70/300 Vertical Side SUPPORT	508958-1	1
6	BUSHING, 5040BS NON-GREASABLE	088660	2
7	PIN WELDMENT, VERTICAL SIDE SUPPORT ZINC	091197-1	2
8	RING, LT70/300 VERTICAL SIDE SUPPORT ZINC	094004-1	2
9	RING, 62W INSIDE RETAINING	F81090-1	2
10	ROD WELDMENT, VERTICAL SIDE SUPPORT	508971-1	1
11	WASHER, 17 FLAT ZINC	F81058-1	8
12	BUSHING, LT70/300 VERTICAL SIDE SUPPORT B	094012	2
13	ROLLER, LT70/300 VERTICAL SIDE SUPPORT Z	094013-1	2
14	NUT, M16-5.8 HEX ZINC	F81036-1	1
15	BOLT, ISO 4017 M20X150 8.8 ZINC-PLATED	F81007-3	2
16	WASHER, 20.5 SPLIT LOCK ZINC	F81059-1	2
17	NUT, M20-8 HEX ZINC	F81037-1	6
18	NUT, M16-8 HEX NYLON ZINC LOCK	F81036-2	2
19	BOLT, M16X160 -8.8 HEX HEAD ZINC	F81006-20	2
20	LINK WELDMENT, LT70/300 VERTICAL SIDE SU	094016-1	1

REF	DESCRIPTION (◆ indicates parts available in assemblies only)	PART #	QTY
21	FITTING, M6 GREASE	086280	3
22	WASHER, 10.5 FLAT ZINC	F81055-1	4
23	BOLT, M10X30-5.8 HEX HEAD FULL THREAD ZI	F81003-2	2
24	NUT, M10-8-B HEX NYLON ZINC LOCK	F81033-1	2
25	CYLINDER, 28/150 1/4 NPT PORT HYDRAULIC	094002	1
26	BOLT, ISO 24014 M16X120_8.8 A2E	F81006-25	1
27	FITTING, 3/8JIC-1/4NPT 90L	015491	2
-	VERTICAL SIDE SUPPORT FOR STATIONARY FRA	508960	1
28	MOUNT WELDMENT, VERTICAL SUPPORT GUIDE -	508961-1	1
29	BUSHING, 5040BS NON-GREASABLE	088660	2
30	PIN WELDMENT, VERTICAL SIDE SUPPORT ZINC	091197-1	2
31	RING, LT70/300 VERTICAL SIDE SUPPORT ZIN	094004-1	2
32	RING, 62W INSIDE RETAINING	F81090-1	2
33	ROD WELDMENT, VERTICAL SIDE SUPPORT	508971-1	1
34	WASHER, 17 FLAT ZINC	F81058-1	8
35	BUSHING, LT70/300 VERTICAL SIDE SUPPORT B	094012	2
36	ROLLER, LT70/300 VERTICAL SIDE SUPPORT Z	094013-1	2
37	NUT, M16-5.8 HEX ZINC	F81036-1	1
38	BOLT, ISO 4017 M20X150 8.8 ZINC-PLATED	F81007-3	2
39	WASHER, 20.5 SPLIT LOCK ZINC	F81059-1	2
40	NUT, M20-8 HEX ZINC	F81037-1	6
41	NUT, M16-8 HEX NYLON ZINC LOCK	F81036-2	2
42	BOLT, M16X160 -8.8 HEX HEAD ZINC	F81006-20	2
43	FITTING, M6 GREASE	086280	3
44	WASHER, 10.5 FLAT ZINC	F81055-1	4
45	BOLT, M10X30-5.8 HEX HEAD FULL THREAD ZI	F81003-2	2
46	NUT, M10-8-B HEX NYLON ZINC LOCK	F81033-1	2
47	CYLINDER, 28/150 1/4 NPT PORT HYDRAULIC	094002	1
48	BOLT, ISO 24014 M16X120_8.8 A2E	F81006-25	1
49	FITTING, 3/8JIC-1/4NPT 90L	015491	2
50	LINK WELDMENT, LT70/300 VERTICAL SIDE SU	094016-1	1
51	BOLT, DIN933-M10X30-8.8-A2E HEX HEAD	F81003-111	12

9.17 Side Supports "L" Frame

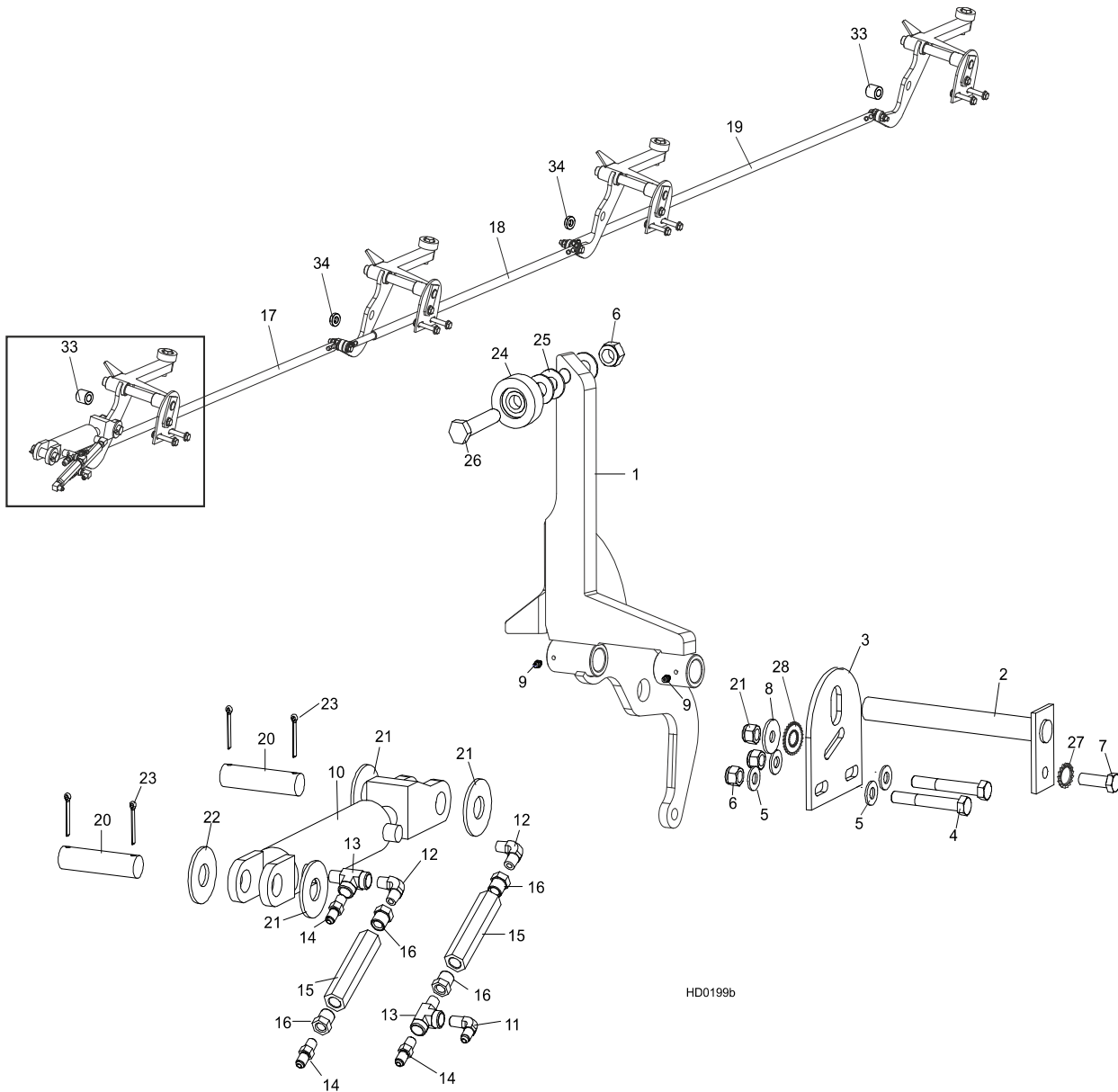
568335_001
568335



REF	DESCRIPTION (u indicates parts available in assemblies only)	PART #	QTY
-	SUPPORT ASSY, L FRAME SIDE	568335	1
1	BLOCK WELDMENT, LX450 SIDE SUPPORT GUIDE	519034-1	3
2	BLOCK WELDMENT, VERTICAL SIDE SUPPORT GU	545581-1	1
3	BUSHING, 5040BS NON-GREASABLE	088660	8
4	RING, LT70/300 VERTICAL SIDE SUPPORT ZIN	094004-1	8
5	ring, PN-M/85111 retaining	F81090-1	8
6	PIN WELDMENT, 25X279 ZINC-PLATED	516140-1	4
7	SUPPORT, COMPLETE SIDE	516125-1	4
8	ARM WELDMENT, SIDE SUPPORT (I)	584648-1	3
9	WASHER, 25.7/35-1.5	503406	17
10	PIN WELDMENT, VERTICAL SIDE SUPPORT ZINC	091197-1	1
11	pusher, vertical side support middle	568339-1	1
12	LINK, SIDE SUPPORT ARM	532772-1	4
13	BRACKET, SIDE SUPPORT ADJUSTMENT	516116-1	3

REF	DESCRIPTION (u indicates parts available in assemblies only)	PART #	QTY
14	SHAFT WELDMENT, SIDE SUPPORT ZINC-PLATED	520299-1	4
15	BUSHING, SIDE SUPPORT	087315	2
16	WASHER, 31 FLAT ZINC	F81061-9	6
17	NUT, M30 HEX ZINC	F81038-3	6
18	fitting, PN/M-86002 grease	086280	12
-	ROLLER ASSEMBLY, LOG SIDE SUPPORT	516142	4
19	ROLLER, SIDE SUPPORT	015014-1	2
20	BUSHING, 16.5/25-14 SPACER ZINC	501415-1	2
21	WASHER, 17 SPLIT LOCK ZINC	F81058-1	2
22	BOLT, ISO 24014 M16X120_8.8 A2E	F81006-25	1
23	NUT, M16-8-HEX NYLON ZINC LOCK	F81036-2	1
24	BOLT, M16X80 8.8-B- HEX HEAD FULL THREAD	F81006-11	2
25	WASHER, 17 SPLIT LOCK ZINC	F81058-1	13
26	NUT, M16-8-HEX NYLON ZINC LOCK	F81036-2	6
27	BOLT, M16X100-8.8 HEX HEAD FULL THREAD Z	F81006-2	4
28	PIN WELDMENT W/LOCK	519040-1	4
29	WASHER, 11/34.5-5	089973	2
30	WASHER, Z 10.2 SPLIT LOCK ZINC	F81055-2	2
31	BOLT, M10X25 8.8 HEX HEAD FULL THREAD ZI	F81003-11	2
32	WASHER, 10.5 FLAT ZINC	F81055-1	22
33	NUT, M10-8-B HEX NYLON ZINC LOCK	F81033-1	11
34	BOLT, M10X45-8.8 HEX HEAD FULL THREAD ZI	F81003-3	4
35	PIN, LINK	578575-1	4
36	PIN, S-ZN-6.3X45 COTTER	F81045-2	2
37	BOLT, M10X75-8.8 HEX HEAD ZINC	F81003-15	2
38	BOLT, M10X40-8.8 HEX HEAD FULL THREAD ZI	F81003-16	1
39	WASHER, 21 FLAT ZINC	F81059-2	8
40	NUT, M20-8-FE/ZN5 PN-86/M-82144	F81037-1	8
41	BOLT, M10X35-8.8 HEX HEAD FULL THREAD ZIN	F81003-17	4
42	pusher, vertical side support left	568343-1	1
43	ARM, SIDE SUPPORT - COMPLETE	515998-1	1
44	pusher, vertical side support right	568344-1	1
-	CYLINDER ASSEMBLY, HYDRAULIC STANDARD PL	555238	1
45	CYLINDER, 28/150 1/4 NPT PORT HYDRAULIC	094002	1
46	FITTING, C3759X4 MALE 'T'	P09141	3
47	FITTING, 3/8JIC-1/4NPT 90 ELBOW	015491	2
48	FITTING, 3/8JIC-1/4NPT STRAIGHT	015560	2
49	Fitting, 1/4NPT Male Pipe Elbow	P09140	1
50	FITTING, 3/8" NPT X 1/4" NPT REDUCER	015490	2
51	Valve, Side Support Sequence	015484	1
52	FITTING, M/F-90-9/16 JIC ELBOW	500597	1
53	PLUG, 1/4-18 NPT BLANK	096221	1

9.18 Hydraulic Log Side Supports (L Type Frame)



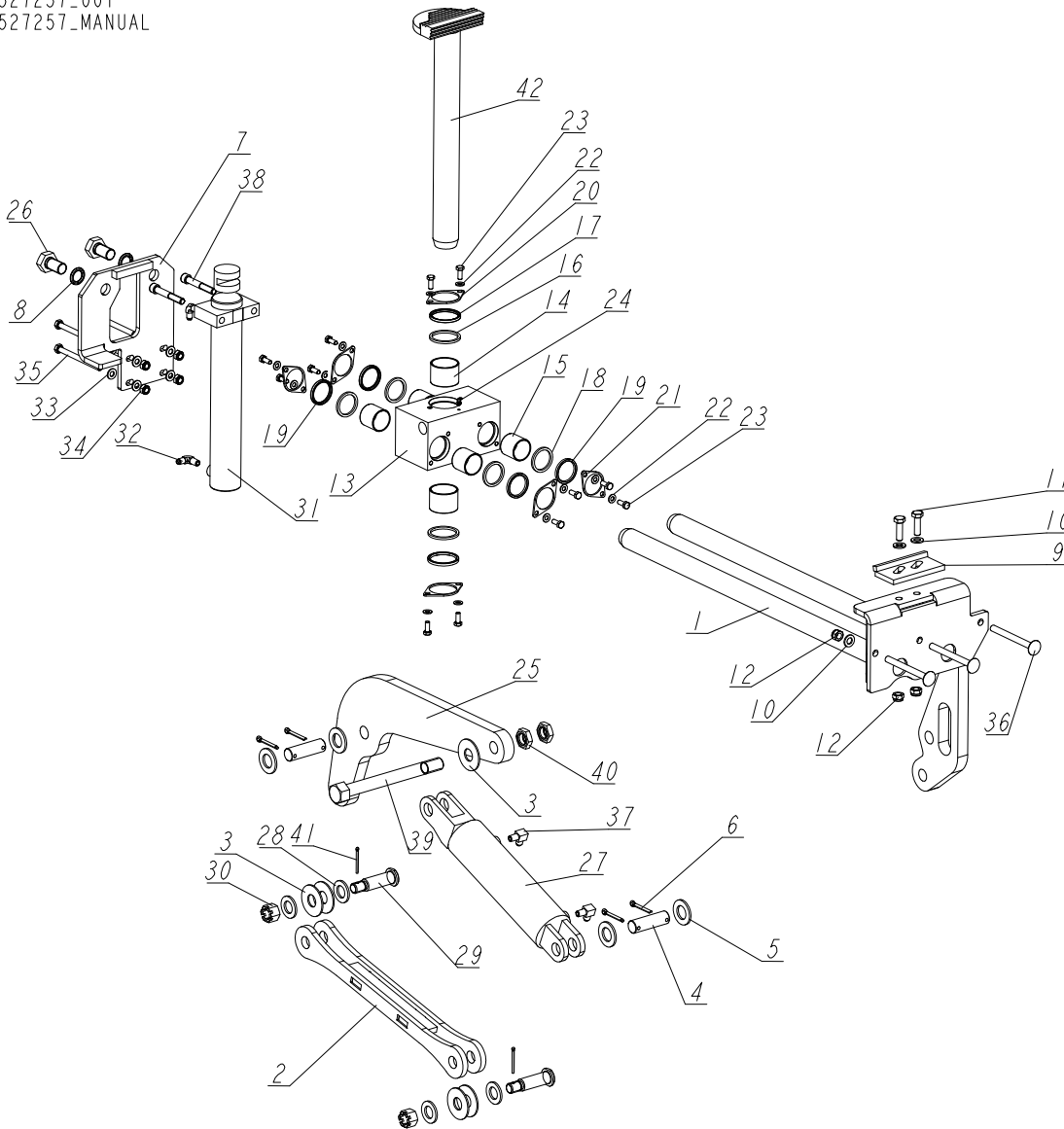
HD0199b

REF.	DESCRIPTION (◆ Indicates Parts Available In Assemblies Only)	PART #	QTY
	hydraulic log side supports (L type frame)	093746	1
1	SUPPORT, HYDRAULIC LOG SIDE	091653-1	4
2	pin, log side support pivot	091549-1	4
3	plate, log side support end	091591-1	4
4	BOLT, M12X75-8.8 Hex head zinc	F81004-21	8
5	WASHER, 13 FLAT ZINC	F81056-1	16
6	NUT, M12-8 HEX NYLON ZINC LOCK	F81034-2	12
7	BOLT, M12 X 35-8.8 HEX HEAD FULL THREAD ZINC	F81004-24	4
8	Washer, 15 Special flat Zinc	F81057-3	4
9	FITTING, 3/16" GREASE	P04107	8

	CYLINDER ASSY, 2x6 SIDE SUPPORT SUPER	015561	1	
10	Cylinder, CJ-S270-16-50/28/152 Hydraulic	088678	1	
	Seal Kit, 6" x 2" Hydraulic Cylinder	P12954	1	
11	Fitting, 3/8JIC-1/4NPT 90L	015491	2	
12	Fitting, C3529x4 90° Pipe	P09140	4	
13	Fitting, C3759x4 Male 'T'	P09141	2	
14	Fitting, 3/8JIC-1/4NPT Straight	015560	2	
15	Valve, Hydraulic Sequence	015484	2	
16	Fitting, 3/8" NPT - 1/4" NPT Reducer	015490	4	
17	ROD, HYDRAULIC SIDE SUPPORT LINK L-1675 COMPLETE	089842	1	
18	ROD, HYDRAULIC SIDE SUPPORT LINK L-1480 COMPLETE	089376	1	
19	ROD, HYDRAULIC SIDE SUPPORT LINK L-1960 COMPLETE	089377	1	
20	PIN, CYLINDER MOUNT	086979-1	2	
21	WASHER, 28 FLAT ZINC	F81061-1	3	
22	WASHER, 26 FLAT ZINC DIN 1440	F81054-8	1	
23	PIN, 5 X 40 COTTER	F81043-31	4	
	Roller Kit, Side Support	015109	4	
24	Roller Assembly, Side Support	015014-1	4	
25	Washer, 17 Flat Zinc	F81058-1	12	
26	BOLT, M16x65-8.8-B HEX HEAD FULL THREAD ZINC	F81006-1	4	
27	WASHER, BN781 M12/13 SERRATED	F81056-16	4	
28	WASHER, BN783 M12/12.3/30.3 SERRATED	F81056-17	4	
	Instruction Sheet, Side Support Roller	015109-526	1	
33	BUSHING 13/25-25 ZINC	505895-1	2	
34	BUSHING 12.2/25-6.5 ZINC	541891-1	2	

9.19 Main Hydraulic Log Clamp (2 Rods)

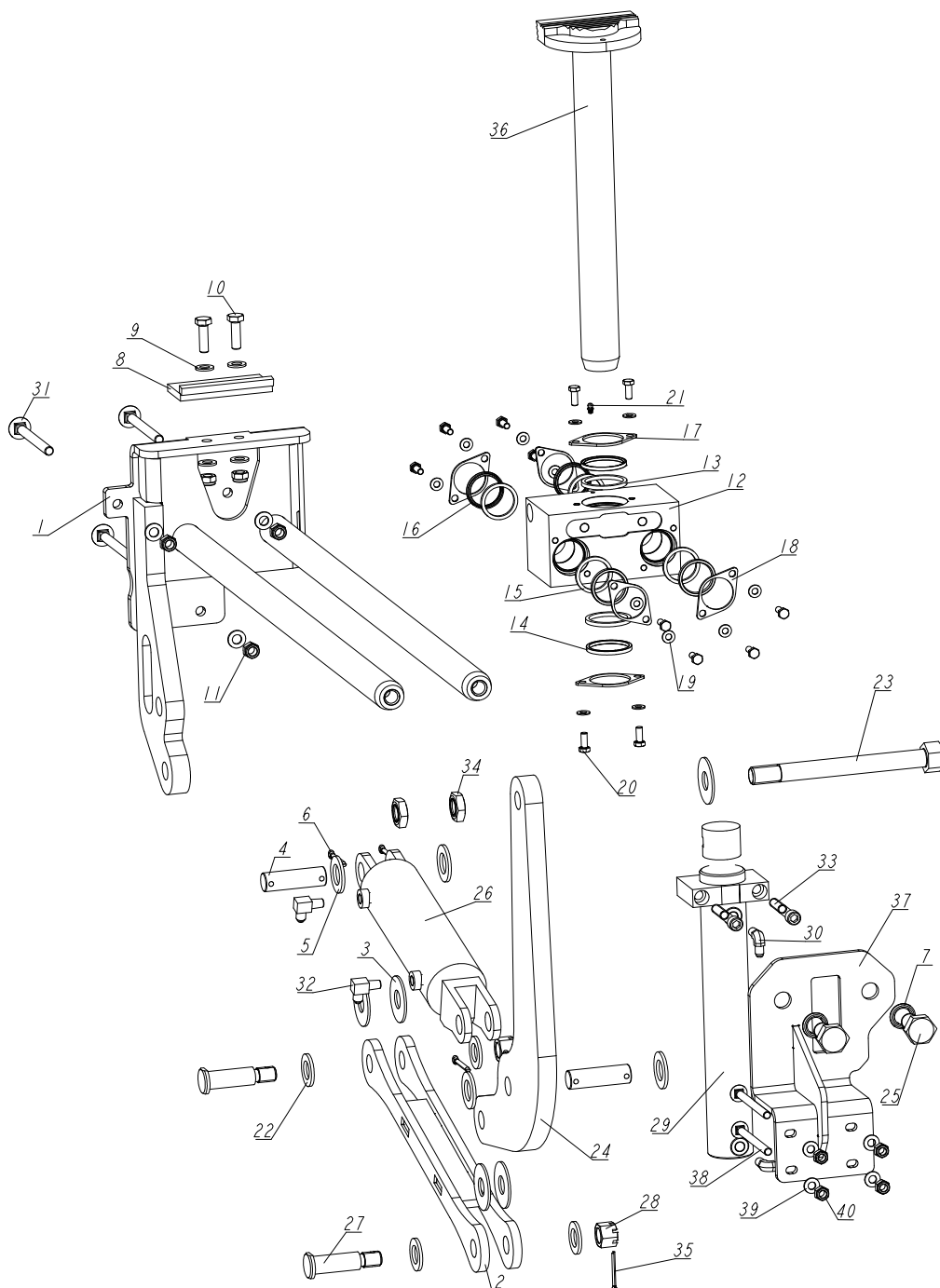
527257_001
527257_MANUAL



REF	DESCRIPTION (◆ indicates parts available in assemblies only)	PART #	QTY
-	CLAMP, MAIN HYDRAULIC - 2 RODS	527257	1
1	ROD WELDMENT, MAIN HYDRAULIC CLAMP	525107-1	1
2	ARM WELDMENT, HYDRAULIC CLAMP LINK PTD	086963-1	1
3	WASHER, 25 X 63 ZINC-PLATED	088585-1	5
4	PIN, HYDRAULIC CYLINDER ZINC-PLATED	086979-1	2
5	WASHER, 28 FLAT ZINC	F81061-1	4
6	pin, S-Zn-6.3x45 cotter	F81045-2	4
7	PLATE, MOUNT (LOG CLAMP W/2 RODS)	527258-1	1
8	WASHER, Z 22.5 SPLIT LOCK ZINC	F81059-4	2
9	STOP WLDMT, HYDRAULIC LOG CLAMP PAINTED	086980-1	1
10	WASHER,13 FLAT ZINC	F81056-1	5
11	BOLT, M12X40 8.8 HEX HEAD FULL THR.ZINC	F81004-4	2

REF	DESCRIPTION (◆ indicates parts available in assemblies only)	PART #	QTY
12	NUT, M12 8 HEX NYLON ZINC LOCK	F81034-2	5
-	BLOCK, STEEL W/BUSHINGS - COMPLETE	521951	1
-	BLOCK, STEEL W/BUSHINGS	521950-1	1
13	BLOCK, STEEL	521937	1
14	BUSHING, 5040BS NON-GREASABLE	088660	2
15	BUSHING, 4040BS SELF-LUBRICATING	525077	4
16	SPACER, HYDRAULIC LOG CLAMP	089324	2
17	WIPER, ZZ 50X60X7 INCO LOG CLAMP ROD	088587	2
18	WASHER, WIPER - WIDE	525080	4
19	WIPER, ZZ-40X50X5/7	525079	4
20	FLANGE, CLAMP ROD WIPER PAINTED	088887-1	2
21	FLANGE, WIPER	525081-1	4
22	washer, 8.4 Flat zinc	F81054-1	12
23	BOLT, M8X20-8.8-B HEX HEAD FULL THREAD Z	F81002-4	12
24	Fitting, 3/16x3/16 Straight Grease	P04107	1
25	ARM, HYDRAULIC LOG CLAMP LINK	086974-1	1
26	BOLT, M22X1,5X40-8.8-B HEX HEAD FULL ZINC	F81009-1	2
27	CYLINDER, CJ-596-16-70/32/78 HYDRAULIC	088589	1
	GASKET, WM 70/32H178AU(088589)(088680)	589503-S	1
28	WASHER, 25 FLAT ZINC	F81061-3	4
29	PIN, B 24X95/85 CLEVIS ZINC	F81049-2	2
30	NUT, Z M20-8-B SLOTTED CASTLE ZINC	F81037-3	2
31	CYLINDER, CJ-S582-16-50/35/300	711617	1
32	Fitting, 1/4NPTx1/4JIC Male Elbow	P09142	2
33	washer, 10.5 Flat zinc	F81055-1	8
34	NUT, M10-8-B HEX NYLON ZINC LOCK	F81033-1	4
35	BOLT, M10 X 125-8.8 HEX HEAD ZINC	F81003-18	4
36	BOLT, M12X130-8.8 CARRIAGE HEAD ZINC	F81004-26	3
37	Fitting, 3/8JIC-1/4NPT 90L	015491	2
38	SCREW, M12X80-8.8 HEX SOCKET HEAD CAP ZINC	F81004-20	2
39	BOLT M24X240-8.8-B HEX HEAD ZINC	F81009-17	1
40	NUT, M24-04-B HEX THIN ZINC	F81039-3	2
41	PIN, 4X30 COTTER ZINC-PLATED	F81043-22	2
42	ROD ASSEMBLY, VERTICAL	710735-1	1

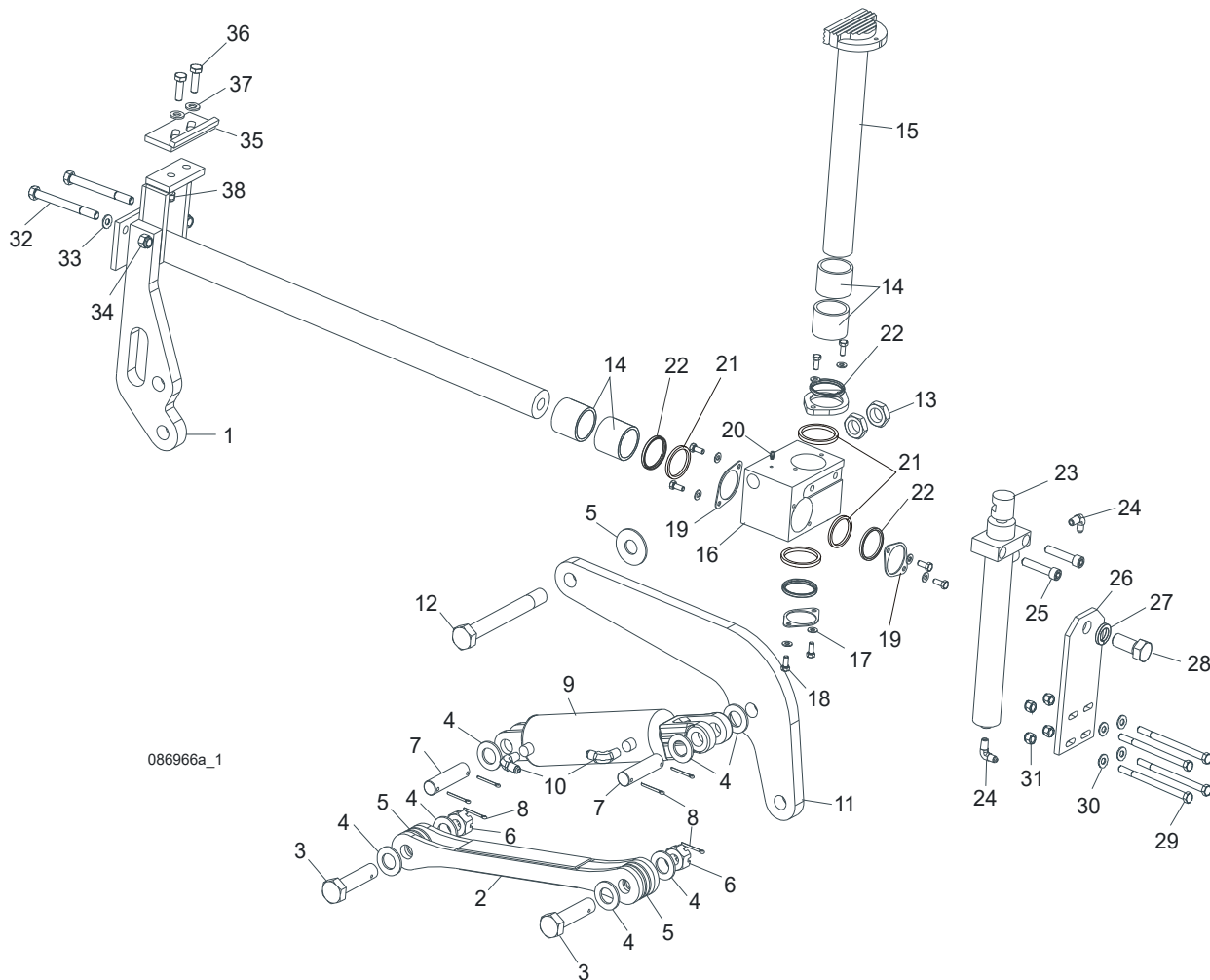
9.20 Main Log Clamp (540970)



REF	DESCRIPTION (◆ indicates parts available in assemblies only)	PART #	QTY
-	MAIN LOG CLAMP	540970	1
1	rod assembly, main log clamp	540969-1	1
2	ARM WELDMENT, HYDRAULIC CLAMP LINK PTD	086963-1	1
3	WASHER, 25 x 63 ZINC-PLATED	088585-1	5
4	PIN, HYDRAULIC CYLINDER ZINC-PLATED	086979-1	2
5	WASHER, 28	F81061-1	4

REF	DESCRIPTION (◆ indicates parts available in assemblies only)	PART #	QTY
6	PIN, S-ZN-6.3X45 COTTER	F81045-2	4
7	WASHER, Z 22.5 SPLIT LOCK ZINC	F81059-4	2
8	STOP WLDMT, HYDRAULIC LOG CLAMP PAINTED	086980-1	1
9	WASHER, 13 FLAT ZINC	F81056-1	7
10	BOLT, M12x40 8.8 HEX HEAD FULL THR.ZINC	F81004-4	2
11	NUT, M12 8 HEX NYLON ZINC LOCK	F81034-2	5
-	BLOCK, STEEL W/BUSHINGS - COMPLETE	521951	1
12	BLOCK, STEEL W/BUSHINGS	521950-1	1
13	SPACER, HYDRAULIC LOG CLAMP	089324	2
14	WIPER, ZZ 50x60x7 INCO LOG CLAMP ROD	088587	2
15	WASHER, WIPER - WIDE	525080	4
16	WIPER, ZZ-40X50X5/7	525079	4
17	FLANGE, CLAMP ROD WIPER PAINTED	088887-1	2
18	FLANGE, WIPER	525081-1	4
19	WASHER, 8.4 FLAT ZINC	F81054-1	12
20	BOLT, M8x20-8.8-B HEX HEAD FULL THREAD Z	F81002-4	12
21	FITTING, 3/16X3/16 STRAIGHT GREASE	P04107	1
22	WASHER, 25 FLAT ZINC	F81061-3	4
23	BOLT M24X240-8.8-B HEX HEAD ZINC	F81009-17	1
24	arm, log clamp	547699-1	1
25	BOLT,M22X1,5X40-8.8-B HEX HEAD FULL ZINC	F81009-1	2
26	CYLINDER, CJ-596-16-70/32/78 HYDRAULIC	088589	1
	GASKET, WM 70/32H178AU(088589)(088680)	589503-S	1
27	PIN, B 24x95/85 CLEVIS ZINC	F81049-2	2
28	NUT, Z M20-8-B SLOTTED CASTLE ZINC	F81037-3	2
29	CYLINDER, CJ-S582-16-50/35/300	711617	1
30	FITTING, 1/4NPTX1/4JIC MALE ELBOW	P09142	2
31	Bolt, M12x130-8.8 Carriage Head Zinc	F81004-26	3
32	FITTING, 3/8JIC-1/4NPT 90L	015491	2
33	SCREW, M12x80-8.8 HEX SOCKET HEAD CAP ZI	F81004-20	2
34	NUT, M24-04-B HEX THIN ZINC	F81039-3	2
35	PIN, 4x30 COTTER ZINC-PLATED	F81043-22	2
36	ROD ASSEMBLY, VERTICAL	710735-1	1
37	bracket, complete	547682-1	1
38	BOLT, M10X125 CARRIAGE	F81003-34	4
39	WASHER, 10.5 FLAT ZINC	F81055-1	4
40	NUT, M10-8-B HEX NYLON ZINC LOCK	F81033-1	4

9.21 Hydraulic Log Clamp

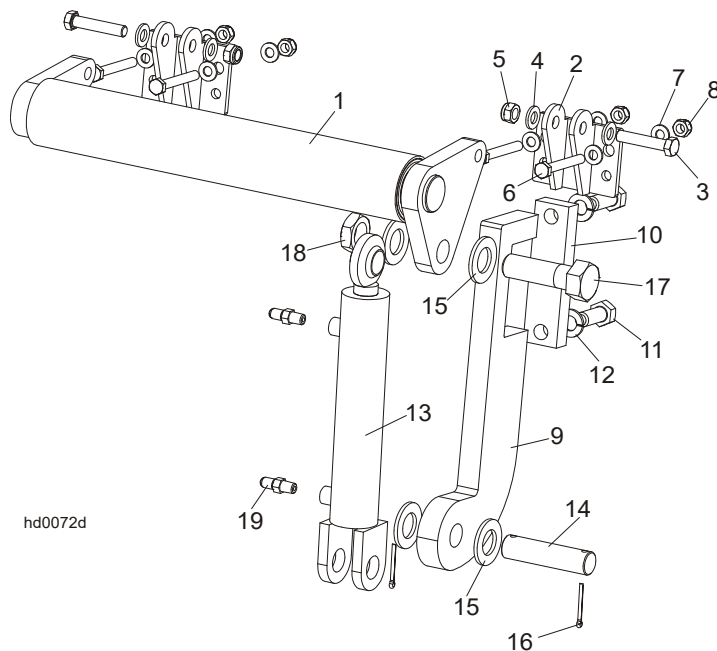


086966a_1

REF.	DESCRIPTION (◆ Indicates Parts Available In Assemblies Only)	PART #	QTY
	LOG CLAMP ASSEMBLY, TWO-PLANE	088658	1
1	Rod Weldment, Log Clamp Slide	086967-1	1
2	Arm Weldment, Hydraulic Clamp Link	086963-1	1
3	Pin, B 24x95/85 Clevis Zinc	F81049-2	1
4	Washer, 25 Flat Zinc	F81061-3	8
5	Washer, 25x63 Zinc-Plated	088585-1	5
6	Nut, M20-8-3 Hex Slotted Castle Zinc	F81037-3	2
7	Pin, Hydraulic Cylinder Zinc-Plated	086979-1	2
8	Pin, 6.3x45 Cotter Zinc	F81045-2	6
9	Cylinder, CJ-S96-16-70/32/178 Hydraulic	088589	1
10	Fitting, 90° Male Elbow	P09142	2
11	Arm, Hydraulic Log Clamp Link	086974-1	1
12	Bolt, M24x217/39 -8.8-B Hex Head Zinc	088586-1	1
13	Nut, M24 -04-B Hex Thin Zinc	F81039-3	2
14	Bushing, 5040BS Self-Lubricating	088660	2
15	Rod Weldment, Log Clamp Vertical Painted	088582-1	1

16	Block, Log Clamp Painted Steel	088591-1	1	
17	Washer, 8.4 Flat Zinc	F81054-1	8	
18	Bolt, M8x20-8.8-B Hex Head Full Thread Zinc	F81002-4	8	
19	Flange, Clamp Rod Wiper Painted	088887-1	3	
20	Fitting, 3/16" Straight Grease	P04107	1	
21	Spacer, Log Clamp	089324	1	
22	Wiper, ZZ 50x60x7 INCO Log Clamp Rod	088587	1	
23	Cylinder, CJ-S169-16-40/22/254 Hydraulic	088590	1	
24	Fitting, 90° Male Elbow	P09142	2	
25	Screw, M12x55-8.8-B Hex Socket Head Cap Zinc	F81004-23	2	
26	Plate, Log Clamp Mount Painted	086975-1	1	
27	Washer, Z 22.5 Split Lock Zinc	F81059-4	1	
28	Bolt, M22x1.5x40-8.8-B Hex Head Full Thread Zinc	F81009-1	1	
29	Bolt, M10 x 125-8.8 Hex Head Zinc	F81003-18	4	
30	Washer, 10.5 Flat Zinc	F81055-1	4	
31	Nut, M10-8-B Hex Nylon Zinc Lock	F81033-1	4	
32	Bolt, M12 x 140 8.8 Hex Head Zinc	F81004-37	2	
33	Washer, 13 Flat Zinc	F81056-1	2	
34	Nut, M12-8-B Hex Zinc	F81034-1	2	
	STOP ASSEMBLY, LOG CLAMP	K09485	1	
35	Stop Weldment, Hydraulic Log Clamp	086980-1	1	
36	Bolt, M12 x 40 8.8 Hex Head Full Thread Zinc	F81004-4	2	
37	Washer, 13 Flat Zinc	F81056-1	2	
38	Nut, M12-8 Hex Nylon Zinc Lock	F81034-2	2	

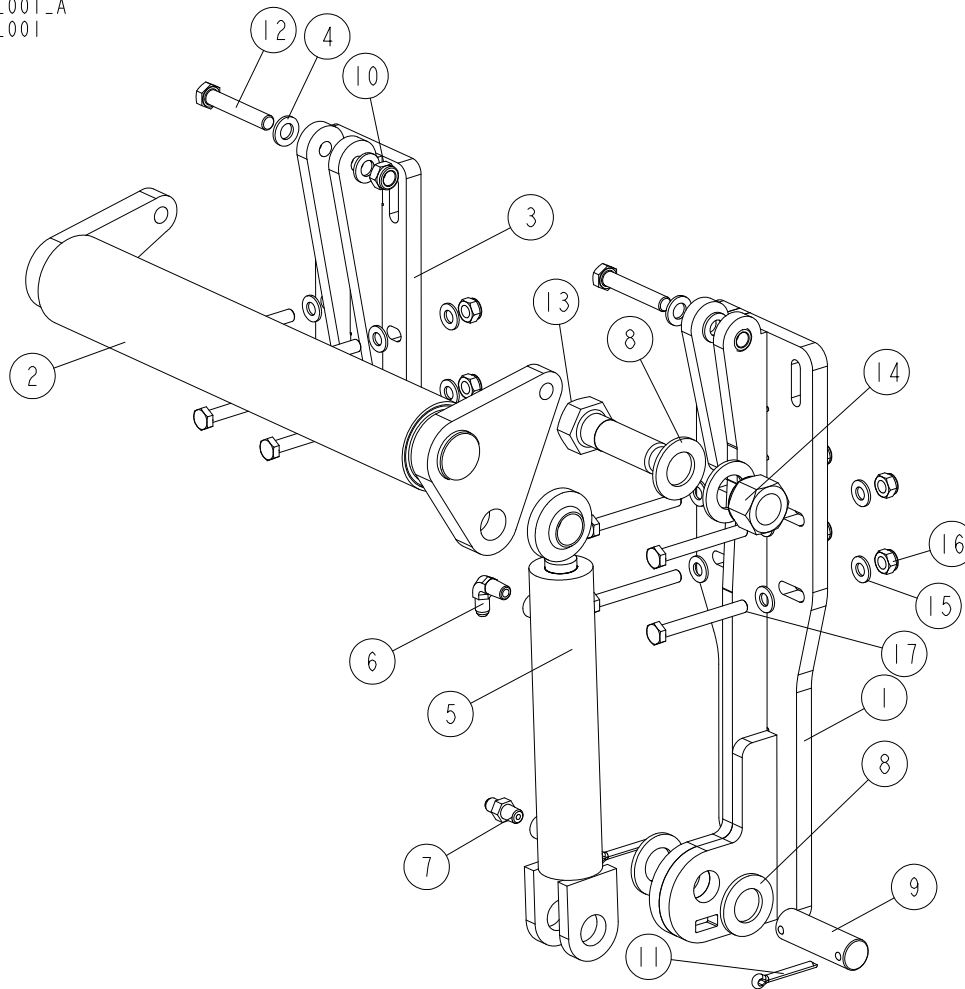
9.22 Hydraulic Toe Board



REF	DESCRIPTION (◆ indicates parts available in assemblies only)	PART #	QTY
	HYDRAULIC TOE BOARD - REAR	092634	1
1	ROLLER WELDMENT, HYDRAULIC TOE BOARD	086253-1	1
2	BRACKET, TOE BOARD ROLLER MOUNT	087903-1	2
3	Bolt, M12x60-8.8 Hex Head Zinc	F81004-5	4
4	WASHER, 13 FLAT ZINC	F81056-1	8
5	NUT, M12 8 HEX NYLON ZINC LOCK	F81034-2	4
6	Bolt, M10x75-8.8 Hex Head Zinc	F81003-15	8
7	Washer, 10.5 Flat Zinc	F81055-1	16
8	NUT, M10-8-B HEX NYLON ZINC LOCK	F81033-1	8
9	PLATE, TOE BOARD CYLINDER MOUNT	087729-1	2
10	PLATE, HYDRAULIC TOE BOARD MOUNT	090086-1	2
11	BOLT, M16X40-8.8 HEX HEAD FULL THREAD ZI	F81006-13	4
12	Washer, 16.3 Split Lock Zinc	F81058-2	4
13	Cylinder, CJ-S170-16-40/25/152 Hydraulic	088681	2
14	PIN, HYDRAULIC CYLINDER ZINC-PLATED	086979-1	2
15	Washer, 28 Flat Zinc	F81061-1	8
16	Pin, 3/16x1.5 Cotter Zinc	F05012-23	4
17	Bolt, 1-8x3 1/4 Hex Head Grade 5	F05009-51	2
18	Nut, 1-14 Hex Jam Unplated	F05010-117	2
19	Fitting, 1/4NPTx1/4JIC Male	P09143	4

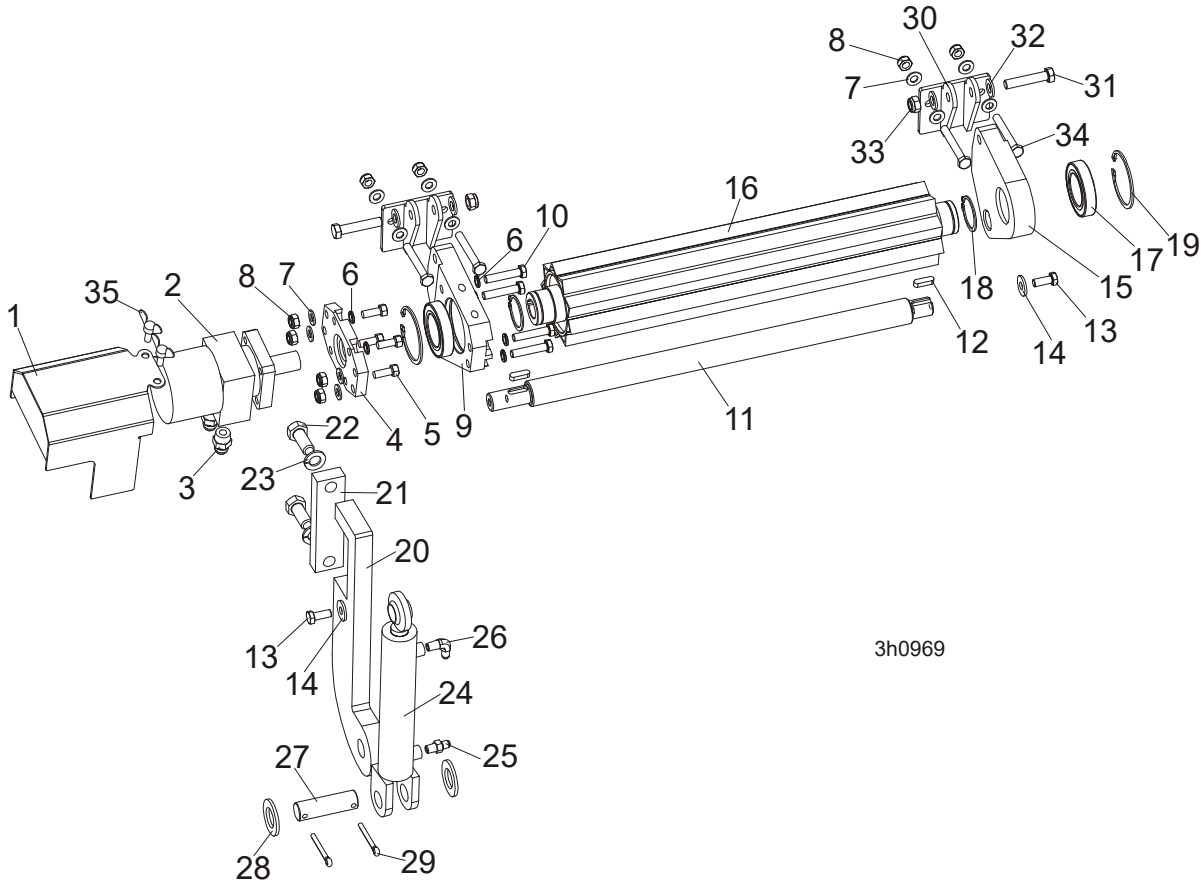
9.23 Left Hydraulic Toe Board (on lower bed rail)

519735_001_A
519735_001



REF	DESCRIPTION (◆ indicates parts available in assemblies only)	PART #	QTY
-	ROLLER, LEFT HYDRAULIC TOE BOARD (MOUNTED ON LOWER BED RAIL)	519735	1
1	BRACKET WELDMENT, HYDRAULIC CYLINDER MOUNT (LEFT)	527018-1	1
2	ROLLER WELDMENT, HYDRAULIC TOE BOARD	086253-1	1
3	BRACKET WELDMENT, HYDRAULIC TOE BOARD	520099-1	1
4	WASHER, 13 FLAT ZINC	F81056-1	28
-	CYLINDER, HYDRAULIC TOE BOARD	085937	1
5	CYLINDER, CJ-S170-16-40/25/152 HYDRAULIC	088681	1
6	FITTING, 1/4NPTX1/4JIC MALE ELBOW	P09142	1
7	FITTING, 1/4NPTX1/4JIC MALE	P09143	1
8	WASHER, 28 FLAT ZINC	F81061-1	4
9	PIN, HYDRAULIC CYLINDER ZINC-PLATED	086979-1	1
10	NUT, M12 8 HEX NYLON ZINC LOCK	F81034-2	14
11	PIN, S-Zn-6.3x45 COTTER	F81045-2	2
12	BOLT, M12X70-8.8-HEX HEAD ZINC	F81004-39	2
13	BOLT, M12X90 8.8 HEX HEAD ZINC	F81004-2	12
14	BOLT, 1-8X3 1/4 HEX HEAD GRADE 5	F05009-51	1
15	NUT, 1-8 HEX NYLON LOCK ZINC	F05010-109	1

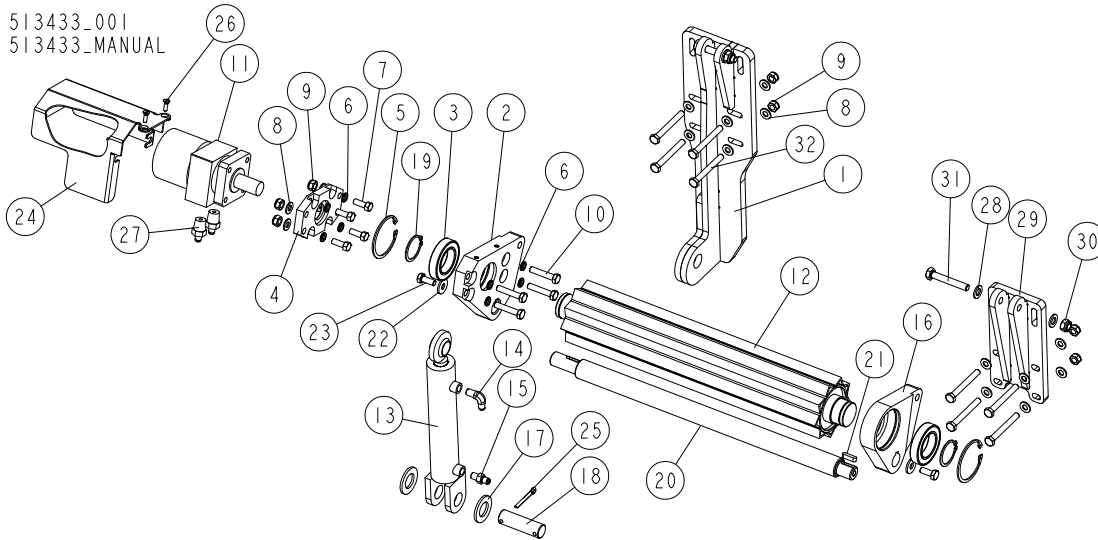
9.24 Driven Log Levelling Roller (Option)



REF.	DESCRIPTION (◆ Indicates Parts Available In Assemblies Only)	PART#	QTY
	ROLLER, DRIVEN LOG LEVELLING	507649	1
1	Cover, Hydraulic Motor	096037-1	1
2	Motor, MG06-13-13AAAB Hydraulic	P21506	1
3	Fitting, 1/2-14NPT/ 7/16-20UNF	096919	2
4	Plate, Hydraulic Motor Mount	096030-1	1
5	Screw, 3/8-16x1 HHC	F05007-7	4
6	Washer, 10.2 Split Lock Zinc	F81055-2	4
7	Washer, 10.5 Flat Zinc	F81055-1	12
8	Nut, M10-8-B Nylon Hex Zinc Lock	F81033-1	8
9	Bracket, Side w/Hydromotor Connector	096029-1	1
10	Bolt, M10x50-8.8-Hex Head Full Thread Zinc	F81003-4	4
11	Rod	096034	1
12	Key, A8x7x28 Parallel	096035	2
13	Bolt, M10x25 8.8 Hex Head Full Thread Zinc	F81003-31	2
14	Washer, 10.5 Zinc Flat Special	F81055-6	2
15	Bracket	096031-1	1
16	Roller Weldment, Pivot	096028-1	1
17	Bearing, 6009.2RSR	096025	2
18	Ring, Z 45 Spring Retaining	F81090-32	2

19	Ring, W 75 Spring Retaining	F81090-41	2	
20	Bracket, Hydraulic Toe Board Mount	089990-1	1	
21	Plate, Hydraulic Toe Board Mount	090086-1	1	
22	Bolt, M16x40-8.8 Hex Head Full Thread Zinc	F81006-13	2	
23	Washer, 16.3 Split Lock Zinc	F81058-2	2	
	Cylinder, Hydraulic Toe Board	085937	1	
24	Cylinder, CJ-S170-16-40/25/152 Hydraulic	088681	1	
25	Fitting, C5205x4x4 Male	P09143	1	
26	Fitting, 1/4NPTx1/4JIC Male Elbow	P09142	1	
27	Pin, Hydraulic Cylinder Zinc	086979-1	1	
28	Washer, 28 Flat Zinc	F81061-1	2	
29	Pin, S-Zn 6.3x45	F81045-2	2	
30	Bracket, Toe Board Roller Mount	087903-1	2	
31	Bolt, M12x60-8.8 Hex Head Zinc	F81004-5	2	
32	Washer, 13 Zinc Flat	F81056-1	4	
33	Nut, M12-8 Hex Nylon Zinc Lock	F81034-2	2	
34	Bolt, M10x75-8.8-Hex Head Zinc	F81003-15	4	
35	Stud, M6x16 Wing	F81001-16	2	

9.25 Driven Log Levelling Roller (mounted on lower bed rail)

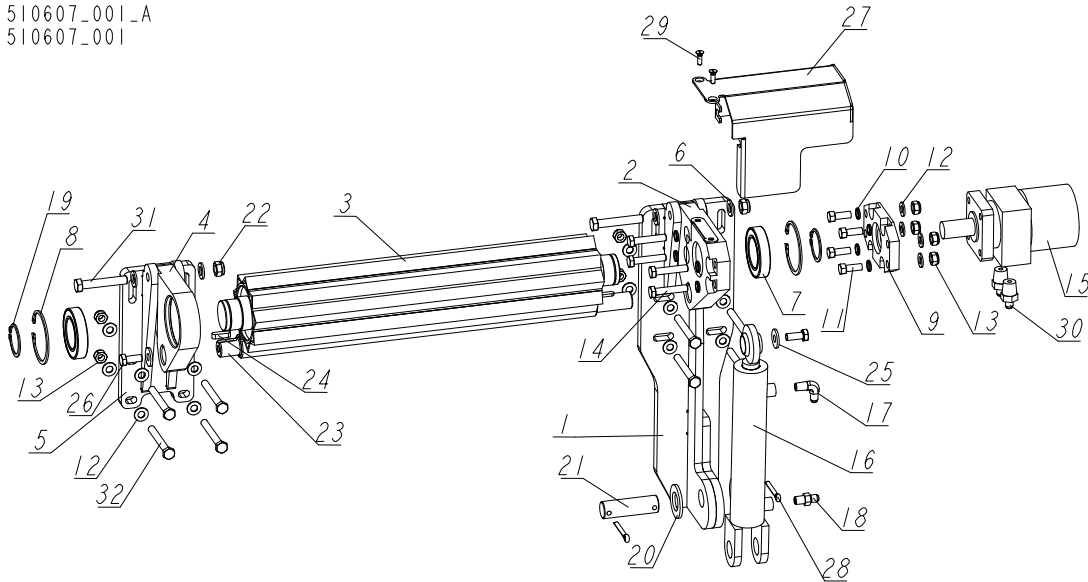


REF	DESCRIPTION (◆ indicates parts available in assemblies only)	PART #	QTY
-	ROLLER, DRIVEN LOG LEVELLING (LOWER BED RAIL)	513433	1
1	BRACKET WELDMENT, POWER ROLLER	510605-1	1
2	BRACKET, SIDE W/HYDRO MOTOR CONNECTOR	096029-1	1
3	BEARING, 6009.2RSR (FAG) ROLLING	096025	2
4	PLATE, HYDRAULIC MOTOR MOUNT	096030-1	1
5	RING, W 75 INSIDE RETAINING	F81090-41	2
6	WASHER, Z 10.2 SPLIT LOCK ZINC	F81055-2	8
7	BOLT, 3/8-16X1 HHC	F05007-7	4
8	WASHER, 10.5 FLAT ZINC	F81055-1	20
9	NUT, M10-8-B HEX NYLON ZINC LOCK	F81033-1	12
10	BOLT, M10x50-8.8 HEX HEAD FULL THREAD ZINC	F81003-4	4
11	MOTOR, MG06-13-13AAAB HYDRAULIC	P21506	1
12	ROLLER WELDMENT, DRIVEN LOG LEVELLING	096028-1	1
-	CYLINDER, HYDRAULIC TOE BOARD	085937	1
13	CYLINDER, CJ-S170-16-40/25/152 HYDRAULIC	088681	1
14	FITTING, 1/4NPTX1/4JIC MALE ELBOW	P09142	1
15	FITTING, 1/4NPTX1/4JIC MALE	P09143	1
16	BRACKET, SIDE	096031-1	1
17	WASHER, 28 FLAT ZINC	F81061-1	2
18	PIN, HYDRAULIC CYLINDER ZINC-PLATED	086979-1	1
19	RING, Z 45 OUTSIDE RETAINING	F81090-32	2
20	ROD, CONNECTION	096034-1	1
21	KEY, A8x7x28 PARALLEL	096035	2
22	WASHER, 10.5 SPECIAL FLAT ZINC	F81055-6	2
23	BOLT, M10X25 8.8 HEX HEAD FULL THREAD	F81003-31	2
24	COVER, HYDRAULIC MOTOR	096037-1	1
25	PIN, S-Zn-6.3x45 COTTER	F81045-2	1

REF	DESCRIPTION (◆ indicates parts available in assemblies only)	PART #	QTY	
26	SCREW, M6X20-5.8-B SLOTTED COUNTERSUNK HEAD ZINC	F81001-31	2	
27	FITTING, 1/2-14NPT/ 7/16-20UNF STRAIGHT W/MALE THREAD	096919	2	
28	WASHER, 13 FLAT ZINC	F81056-1	4	
29	BRACKET WELDMENT, HYDRAULIC TOE BOARD	520099-1	1	
30	NUT, M12 8 HEX NYLON ZINC LOCK	F81034-2	2	
31	BOLT, M12X75-8.8-HEX HEAD FULL THREAD ZI	F81004-10	2	
32	BOLT, M10X85-8.8-HEX HEAD ZINC	F81003-125	8	

9.26 Driven Log Levelling Roller, Lower Bed Rail (510607), Back "L" Frame (544241)

510607_001_A
510607_001



REF	DESCRIPTION (◆ indicates parts available in assemblies only)	PART #	QTY
-	DRIVEN LOG LEVELLING ROLLER - LEFT W/CLAMP	510607	1
-	DRIVEN LOG LEVELLING ROLLER - LEFT, BACK, "L" FRAME	544241	1
1	BRACKET WELDMENT, HYDRAULIC CYLINDER MOU	527018-1	1
2	BRACKET, SIDE W/HYDRO MOTOR CONNECTOR	507684-1	1
3	ROLLER WELDMENT, DRIVEN LOG LEVELLING	096028-1	1
4	BRACKET, SIDE	507687-1	1
5	BRACKET WELDMENT, ROLLER	520099-1 ¹	1
	BRACKET WELDMENT, BACK, "L" FRAME	544240 ²	1
6	WASHER, 13 FLAT ZINC	F81056-1	21
7	BEARING, 6009.2RSR (FAG) ROLLING	096025	2
8	RING, W 75 INSIDE RETAINING	F81090-41	2
9	PLATE, HYDRAULIC MOTOR MOUNT	096030-1	1
10	WASHER, Z 10.2 SPLIT LOCK ZINC	F81055-2	8
11	BOLT, 3/8-16X1 HHC	F05007-7	4
12	WASHER, 10.5 FLAT ZINC	F81055-1	4
13	NUT, M10-8-B HEX NYLON ZINC LOCK	F81033-1	4
14	BOLT, M10x50-8.8 HEX HEAD FULL THREAD ZINC	F81003-4	4
15	MOTOR, MG06-13-13AAAB HYDRAULIC	P21506	1
-	CYLINDER, HYDRAULIC TOE BOARD	085937	1
16	CYLINDER, CJ-S170-16-40/25/152 HYDRAULIC	088681	1
17	FITTING, 1/4NPTX1/4JIC MALE ELBOW	P09142	1
18	FITTING, 1/4NPTX1/4JIC MALE	P09143	1
19	RING, Z 45 OUTSIDE RETAINING	F81090-32	2
20	WASHER, 28 FLAT ZINC	F81061-1	2
21	PIN, 25.4x84	086979	1

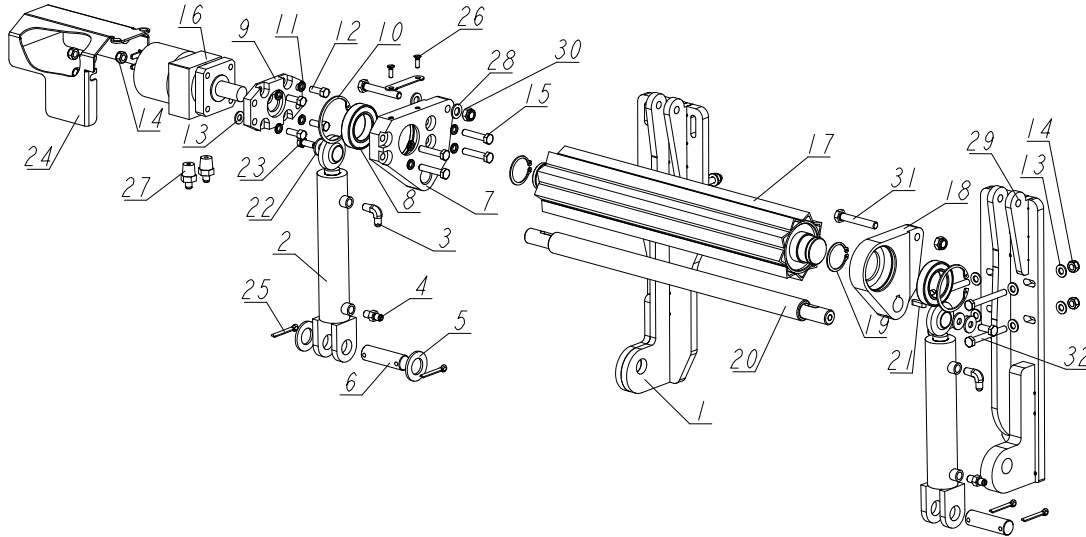
REF	DESCRIPTION (◆ indicates parts available in assemblies only)	PART #	QTY	
22	NUT, M12 8 HEX NYLON ZINC LOCK	F81034-2	11	
23	ROD, CONNECTION	096034	1	
24	KEY, A8x7x28 PARALLEL	096035	2	
25	WASHER, 10.5 SPECIAL FLAT ZINC	F81055-6	2	
26	BOLT, M10X25 8.8 HEX HEAD FULL THREAD	F81003-31	2	
27	GUARD, HYDRAULIC MOTOR	507690-1	1	
28	PIN, S-Zn-6.3x45 COTTER	F81045-2	2	
29	SCREW, M6X20-5.8-B SLOTTED COUNTERSUNK HEAD ZINC	F81001-31	2	
30	FITTING, 1/2-14NPT/ 7/16-20UNF STRAIGHT W/MALE THREAD	096919	2	
31	BOLT, M12X70-8.8-HEX HEAD ZINC	F81004-39	2	
32	BOLT, M12X90 8.8 HEX HEAD ZINC	F81004-2	8	

¹ Included in 510607

² Included in 544241

9.27 Log Levelling Driven Roller. 2 Cylinders.

526160_001_A
526160_MANUAL



REF	DESCRIPTION (◆ indicates parts available in assemblies only)	PART #	QTY
-	DRIVEN LOG LEVELLING ROLLER, W/2 CYLINDE	526160	1
-	ROLLER, DRIVEN LOG LEVELLING - FOR LOG SIDE SUPPORTS	545662	1
1	BRACKET WELDMENT, POWER ROLLER	510605-1	1
2	BRACKET, SIDE W/HYDRO MOTOR CONNECTOR	096029-1	1
3	BEARING, 6009.2RSR (FAG) ROLLING	096025	2
4	PLATE, HYDRAULIC MOTOR MOUNT	096030-1	1
5	RING, W 75 INSIDE RETAINING	F81090-41	2
6	WASHER, Z 10.2 SPLIT LOCK ZINC	F81055-2	8
7	BOLT, 3/8-16X1 HH	F05007-7	4
8	WASHER, 10.5 FLAT ZINC	F81055-1	4
9	NUT, M10-8-B HEX NYLON ZINC LOCK	F81033-1	4
10	BOLT, M10X50-8.8 HEX HEAD FULL THREAD ZI	F81003-4	4
11	MOTOR, MG06-13-13AAAB HYDRAULIC	P21506	1
12	ROLLER WELDMENT, DRIVEN LOG LEVELLING	096028-1	1
-	CYLINDER, HYDRAULIC TOE BOARDS	085937	2
13	CYLINDER, CJ-S170-16-40/25/152 HYDRAULIC	088681	1
14	FITTING, 1/4NPTX1/4JIC MALE ELBOW	P09142	1
15	FITTING, 1/4NPTX1/4JIC MALE	P09143	1
16	BRACKET, SIDE	096031-1	1
17	WASHER, 28	F81061-1	2
18	PIN, HYDRAULIC CYLINDER ZINC-PLATED	086979-1	2
19	RING, Z 45 OUTSIDE RETAINING	F81090-32	2
20	ROD, CONNECTION	520349	1
21	KEY, A8X7X28 PARALLEL	096035	2
22	WASHER, 10.5 SPECIAL FLAT ZINC	F81055-6	3
23	BOLT, M10X25 8.8 HEX HEAD FULL THREAD	F81003-31	2
24	COVER, HYDRAULIC MOTOR	096037-1	1

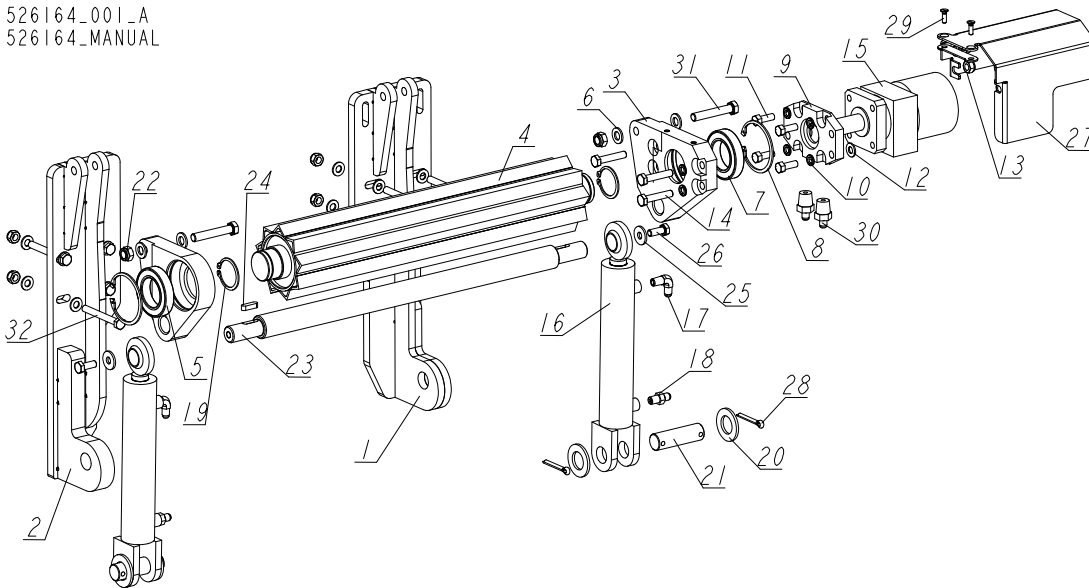
REF	DESCRIPTION (◆ indicates parts available in assemblies only)	PART #	QTY	
25	PIN, S-ZN-6.3X45 COTTER	F81045-2	4	
26	SCREW, M6X20-5.8-B SLOTTED COUNTERSUNK H	F81001-31	2	
27	FITTING, 1/2-14NPT/ 7/16-20UNF STRAIGHT	096919	2	
28	WASHER,13 FLAT ZINC	F81056-1	20	
29	BRACKET WELDMENT, CYLINDER MOUNT	526162-1 ¹	1	
	BRACKET WELDMENT, CYLINDER MOUNT	550410-1 ²	1	
30	NUT, M12 8 HEX NYLON ZINC LOCK	F81034-2	10	
31	BOLT, M12X75-8.8-HEX HEAD FULL THREAD ZI	F81004-10	2	
32	BOLT, M12X90 8.8 HEX HEAD ZINC	F81004-2	8	
32	BRACKET WELDMENT, CYLINDER MOUNT	526162-1	1	

¹ Included in 526160

² Included in 545662

9.28 Driven Log Levelling Roller, Left w/2 Cylinders

526164_001_A
526164_MANUAL

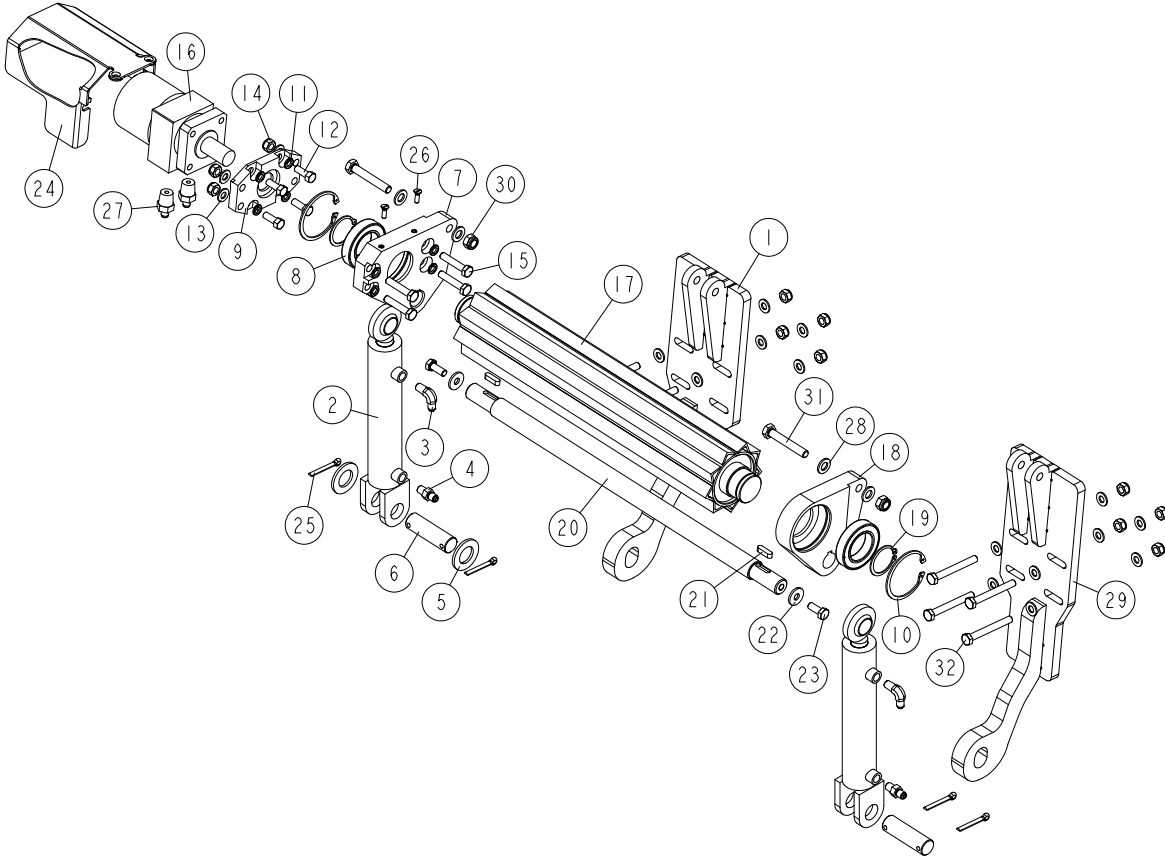


REF	DESCRIPTION (◆ indicates parts available in assemblies only)	PART #	QTY
-	ROLLER, DRIVEN LOG LEVELLING - LEFT W/2 CYLINDERS	526164	1
1	BRACKET WELDMENT, HYDRAULIC CYLINDER MOUNT (LEFT)	527018-1	1
2	BRACKET WELDMENT, HYDRAULIC CYLINDER MOUNT	526150-1	1
3	BRACKET, SIDE W/HYDRO MOTOR CONNECTOR	507684-1	1
4	ROLLER WELDMENT, DRIVEN LOG LEVELLING	096028-1	1
5	BRACKET, SIDE	507687-1	1
6	WASHER, 13 FLAT ZINC	F81056-1	4
7	BEARING, 6009.2RSR (FAG) ROLLING	096025	2
8	RING, W 75 INSIDE RETAINING	F81090-41	2
9	PLATE, HYDRAULIC MOTOR MOUNT	096030-1	1
10	WASHER, Z 10.2 SPLIT LOCK ZINC	F81055-2	8
11	BOLT, 3/8-16X1 HH	F05007-7	4
12	WASHER, 10.5 FLAT ZINC	F81055-1	20
13	NUT, M10-8-B HEX NYLON ZINC LOCK	F81033-1	4
14	BOLT, M10x50-8.8 HEX HEAD FULL THREAD ZINC	F81003-4	4
15	MOTOR, MG06-13-13AAAB HYDRAULIC	P21506	1
-	CYLINDER, HYDRAULIC TOE BOARD	085937	2
16	CYLINDER, CJ-S170-16-40/25/152 HYDRAULIC	088681	1
17	FITTING, 1/4NPTX1/4JIC MALE ELBOW	P09142	1
18	FITTING, 1/4NPTX1/4JIC MALE	P09143	1
19	RING, Z 45 OUTSIDE RETAINING	F81090-32	2
20	WASHER, 28 FLAT ZINC	F81061-1	4
21	PIN, 25.4x84	086979	2
22	NUT, M12 8 HEX NYLON ZINC LOCK	F81034-2	10
23	ROD, CONNECTION	520349	1
24	KEY, A8x7x28 PARALLEL	096035	2
25	WASHER, 10.5 SPECIAL FLAT ZINC	F81055-6	2
26	BOLT, M10X25 8.8 HEX HEAD FULL THREAD	F81003-31	2

REF	DESCRIPTION (◆ indicates parts available in assemblies only)	PART #	QTY	
27	GUARD, HYDRAULIC MOTOR	507690-1	1	
28	PIN, S-Zn-6.3x45 COTTER	F81045-2	2	
29	SCREW, M6X20-5.8-B SLOTTED COUNTERSUNK HEAD ZINC	F81001-31	2	
30	FITTING, 1/2-14NPT/ 7/16-20UNF STRAIGHT W/MALE THREAD	096919	2	
31	BOLT, M12X70-8.8-HEX HEAD ZINC	F81004-39	2	
32	BOLT, M12X90 8.8 HEX HEAD ZINC	F81004-2	8	

9.29 Driven Log Levelling Roller, Right w/2 Cylinders

568385_001
568385

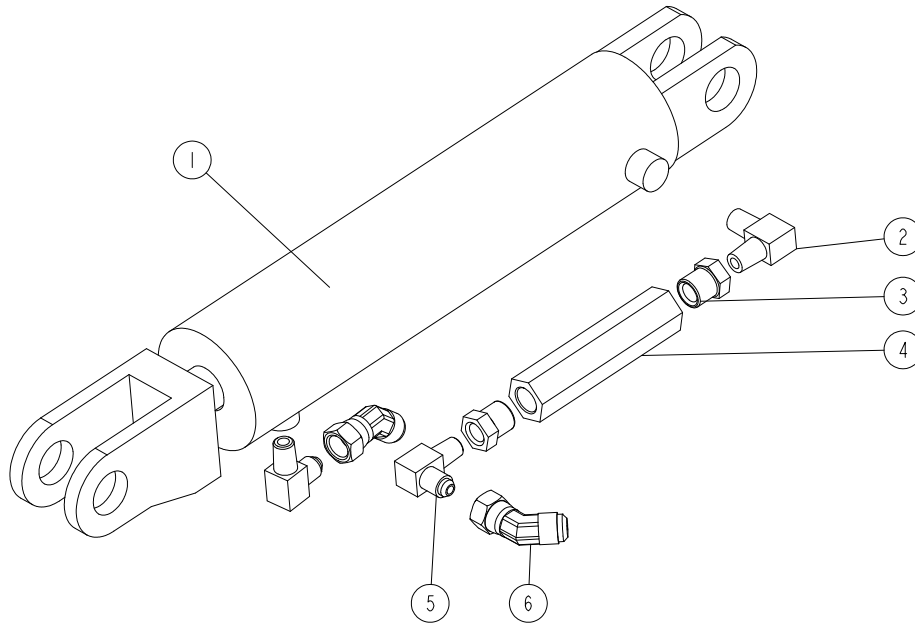


REF	DESCRIPTION (u indicates parts available in assemblies only)	PART #	QTY
-	ROLLER, DRIVEN LOG LEVELLING - RIGHT W/2	568385	1
1	MOUNT WELDMENT, POWER ROLLER right	568382-1	1
-	CYLINDER, HYDRAULIC TOE BOARD	085937	2
2	CYLINDER, CJ-S170-16-40/25/152 HYDRAULIC	088681	1
3	Fitting, 1/4NPTx1/4JIC Male Elbow	P09142	1
4	Fitting, 1/4NPTx1/4JIC Male	P09143	1
5	WASHER, 28 FLAT ZINC	F81061-1	2
6	PIN, HYDRAULIC CYLINDER ZINC-PLATED	086979-1	2
7	BRACKET, SIDE W/HYDRO MOTOR CONNECTOR	096029-1	1
8	BEARING, 6009.2RSR (FAG) ROLLING	096025	2
9	PLATE, HYDRAULIC MOTOR MOUNT	096030-1	1
10	RING, W 75 INSIDE RETAINING	F81090-41	2
11	WASHER, Z 10.2 SPLIT LOCK ZINC	F81055-2	8
12	BOLT, 3/8-16X1 HEX HEAD	F05007-7	4
13	WASHER, 10.5 FLAT ZINC	F81055-1	20
14	NUT, M10-8-B HEX NYLON ZINC LOCK	F81033-1	12
15	BOLT, M10X50MM,HEX HEAD FULL THREAD ZINC	F81003-4	4
16	MOTOR, MG06-13-13AAAB HYDRAULIC	P21506	1

REF	DESCRIPTION (u indicates parts available in assemblies only)	PART #	QTY	
17	ROLLER WELDMENT, DRIVEN LOG LEVELLING	096028-1	1	
18	BRACKET, SIDE	096031-1	1	
19	rING, Z 45 OUTSIDE RETAINING	F81090-32	2	
20	ROD, CONNECTION	520349	1	
21	KEY, A8X7X28 PARALLEL	096035	2	
22	WASHER, 10.5 SPECIAL FLAT ZINC	F81055-6	2	
23	BOLT, M10X25 8.8 HEX HEAD FULL THREAD	F81003-31	2	
24	COVER, HYDRAULIC MOTOR	096037-1	1	
25	PIN, S-ZN-6.3X45 COTTER	F81045-2	4	
26	SCREW, M6X20-5.8-B SLOTTED COUNTERSUNK H	F81001-31	2	
27	FITTING, 1/2-14NPT/ 7/16-20UNF STRAIGHT	096919	2	
28	WASHER, 13 FLAT ZINC	F81056-1	4	
29	MOUNT WELDMENT, POWER ROLLER left	568386-1	1	
30	NUT, M12 8 HEX NYLON ZINC LOCK	F81034-2	2	
31	BOLT, M12X75-8.8-HEX HEAD FULL THREAD ZI	F81004-10	2	
32	BOLT, M10X85-8.8-HEX HEAD ZINC	F81003-125	8	

9.30 Cylinder Assembly. 555239

555239_001
555239



REF	DESCRIPTION (◆ indicates parts available in assemblies only)	PART #	QTY
-	CYLINDER ASSEMBLY	555239	1
1	CYLINDER, CJ-S305-16-63/28/203 HYDRAULIC	088679	1
2	FITTING, 1/4NPT MALE PIPE ELBOW	P09140	1
3	FITTING, 3/8" NPT X 1/4" NPT REDUCER	015490	2
4	VALVE, SIDE SUPPORT SEQUENCE	015484	1
5	FITTING, 3/8JIC-1/4NPT 90L	015491	2
6	FITTING, M/F-90-9/16 JIC ELBOW	509418	2