

Wood-Mizer®

Log Infeed Deck

**Safety, Setup, Operation,
Maintenance**

LD2 12/20-2/3S

rev. B1.05

LD2 12/20-2/3SR

LD2 12/20-2/3 -70W

LD2 12/20-2/3 - WB

LD2-12H-2S-70-H

LD2-12H-2S-70W-HD

LD2-12H-3S-70-WIDE-HD



Safety is our #1 concern! Read and understand all safety information and instructions before operating, setting up or maintaining this machine.

Form #1025

Table of Contents

Section-Page

SECTION 1	SAFETY	1-1
1.1	Safety Symbols.....	1-1
1.2	Safety Instructions.....	1-2
SECTION 2	GENERAL INFORMATION	2-1
2.1	Component Overview.....	2-1
2.2	Overall Dimensions.....	2-3
SECTION 3	SETUP & OPERATION	3-1
3.1	Operation (LT70HD Remote)	3-1
3.2	Operation (LT300).....	3-3

SECTION 1 SAFETY

1.1 Safety Symbols

The following symbols and signal words call your attention to instructions concerning your personal safety. Be sure to observe and follow these instructions.



DANGER! indicates an imminently hazardous situation which, if not avoided, will result in death or serious injury.



WARNING! suggests a potentially hazardous situation which, if not avoided, could result in death or serious injury.



CAUTION! refers to potentially hazardous situations which, if not avoided, may result in minor or moderate injury or damage to equipment.



IMPORTANT! indicates vital information.

NOTE: gives helpful information.



Warning stripes are placed on areas where a single decal would be insufficient. To avoid serious injury, keep out of the path of any equipment marked with warning stripes.

1.2 Safety Instructions

NOTE: ONLY safety instructions regarding personal injury are listed in this section. Caution statements regarding only equipment damage appear where applicable throughout the manual.

OBSERVE SAFETY INSTRUCTIONS



IMPORTANT! Read the entire Operator's Manual before operating the log infeed deck. Take notice of all safety warnings throughout this manual and those posted on the machine. Keep this manual with this machine at all times, regardless of ownership.

Also read any additional manufacturer's manuals and observe any applicable safety instructions including dangers, warnings, and cautions.

Only persons who have read and understood the entire operator's manual should operate the log deck. The log deck is not intended for use by or around children.

IMPORTANT! It is always the owner's responsibility to comply with all applicable federal, state and local laws, rules and regulations regarding the ownership, operation of your Wood-Mizer products. All Wood-Mizer product owners are encouraged to become thoroughly familiar with these applicable laws and comply with them fully while using the machine.



KEEP LOG DECK AND AREA AROUND LOG DECK CLEAN



DANGER! Maintain a clean and clear path for all necessary movement around the machine and lumber stacking areas. Failure to do so will result in serious injury.

CAUTIONS FOR LOG DECK SETUP

WARNING! Securely fasten the feet of a log deck to the floor before operating the machine. Failure to do so may result in serious injury or death.

CHECK LOG DECK BEFORE OPERATION



DANGER! Make sure all guards and covers are in place and secured before operating the log deck. Failure to do so may result in serious injury.



CAUTION! Never drop logs onto the log deck from a height more than 6" (15 mm) when loading. Failure to do so may result in damage to the log deck.



KEEP PERSONS AWAY

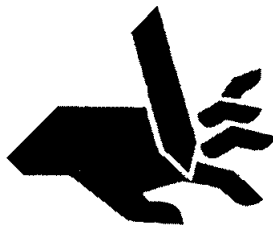


WARNING! Keep all persons out of the path of moving equipment and logs while operating log deck. Failure to do so may result in serious injury or death.

1 Safety

Safety Instructions

KEEP HANDS AWAY



DANGER! Always be aware of and take proper protective measures against rotating shafts, pulleys, fans, etc. Always stay a safe distance from rotating members and make sure that loose clothing or long hair does not engage rotating members resulting in possible injury.

WARNING! Before performing service near moving parts such as blades, pulleys, motors, belts and chains, make sure the unit is not in use. If the unit is operated and moving parts activated, serious injury may result.

USE PROPER PROCEDURE WHEN CONDUCTING ELECTRICAL SAFETY CHECKS AND MAINTENANCE



DANGER! Make sure all electrical installation, service and/or maintenance work is performed by a qualified electrician and is in accordance with applicable electrical codes.

DANGER! Hazardous voltage inside the electric sawmill disconnect box, starter box, and at the motor can cause shock, burns, or death. Disconnect and lock out power supply before servicing! Keep all electrical component covers closed and securely fastened during mill operation.





WARNING! Consider all electrical circuits energized and dangerous.

WARNING! Never assume or take the word of another person that the power is off; check it out and lock it out.

WARNING! Do not wear rings, watches, or other jewelry while working around an open electrical circuit.

KEEP SAFETY LABELS IN GOOD CONDITION



IMPORTANT! Always be sure that all safety decals are clean and readable. Replace all damaged safety decals to prevent personal injury or damage to the equipment. Contact your local distributor, or call your Customer Service Representative to order more decals.

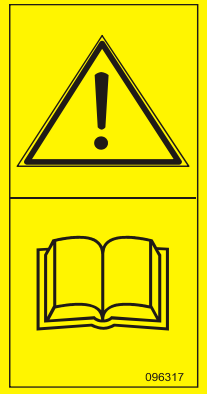


IMPORTANT! If replacing a component which has a safety decal affixed to it, make sure the new component also has the safety decal affixed.

SAFETY LABELS DESCRIPTION

See Table 1-1. Pictographic safety labels are shown in the table below.

TABELA 1-1

Decal View	Decal No.	Description
	096317	Read thoroughly the operator's manual before operating the equipment. Observe instructions and safety rules when operating.

1 Safety
Safety Labels Description

TABELA 1-1



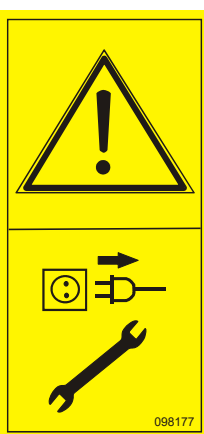

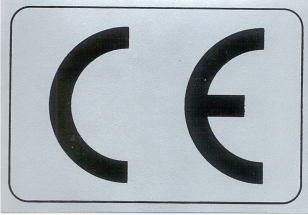
	<p>099220</p>	<p>Close all guards and covers prior to starting the equipment.</p>
	<p>099221</p>	<p>Keep all persons a safe distance away from work area when operating the unit.</p>
	<p>098177</p>	<p>Disconnect power supply before servicing.</p>


TABELA 1-1

	099540	CAUTION! Gear danger – keep a safe distance away!
	P85070	CE safety certification

SECTION 2 GENERAL INFORMATION

2.1 Component Overview

With the Log Infeed Deck, you can load logs directly onto the sawmill bed. You can choose between the 12-Foot (LD2 12) and 20-Foot Log Infeed Decks (LD2 20) now available. The following manual will guide you in installation, operation, and alignment of the Log Infeed Deck.

 **WARNING!** Keep all persons out of the path of moving equipment and logs while operating the Log Infeed Deck. Failure to do so may result in serious injury or death.

See Figure 2-1. The main components of the Log Infeed Deck are shown below.

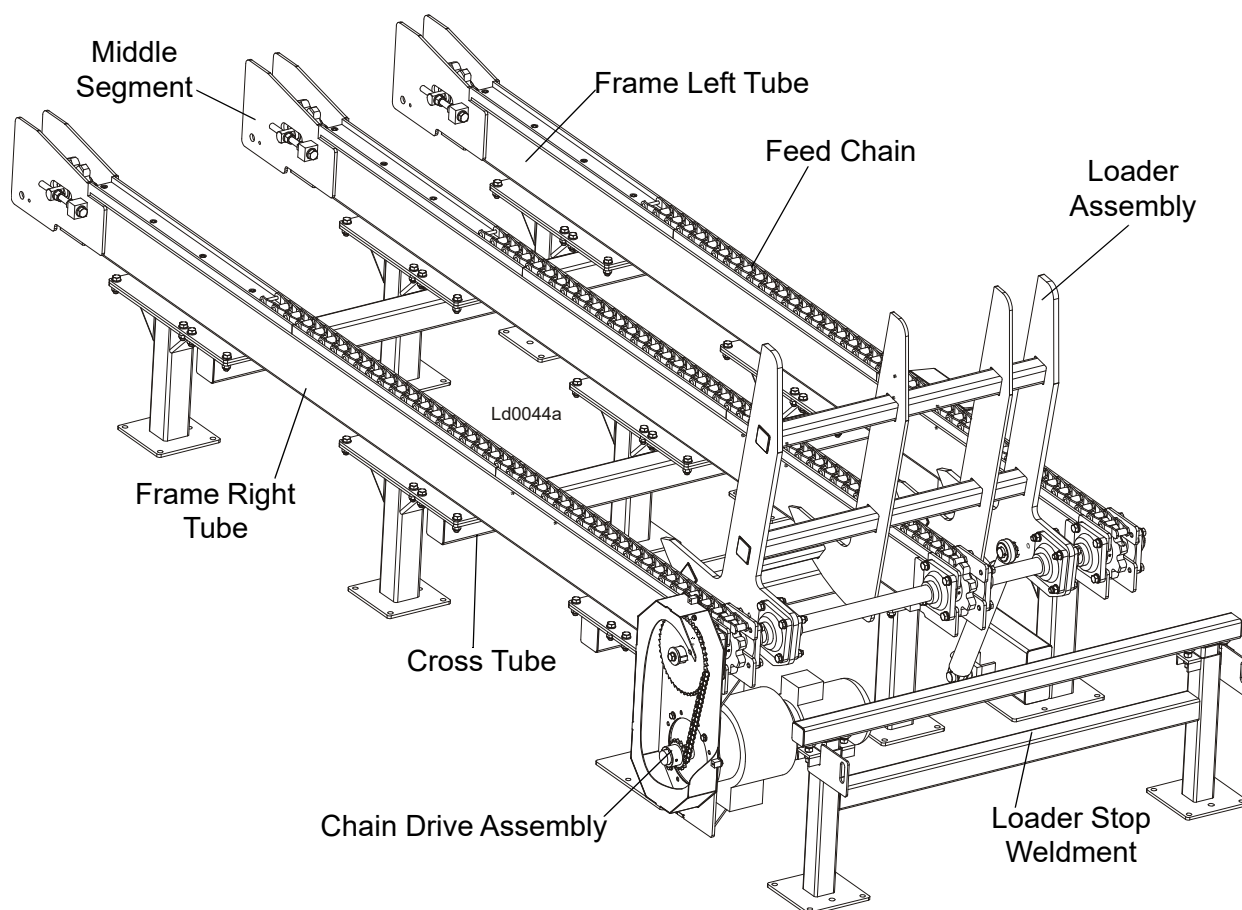



FIG. 2-1 LD2 12-3S

 **CAUTION!** Never drop logs onto the log deck from a height more than 6" (15 cm) when loading. Failure to do so may result in damage to the log deck.

See Figure 2-2. The correct way to load logs is shown below.

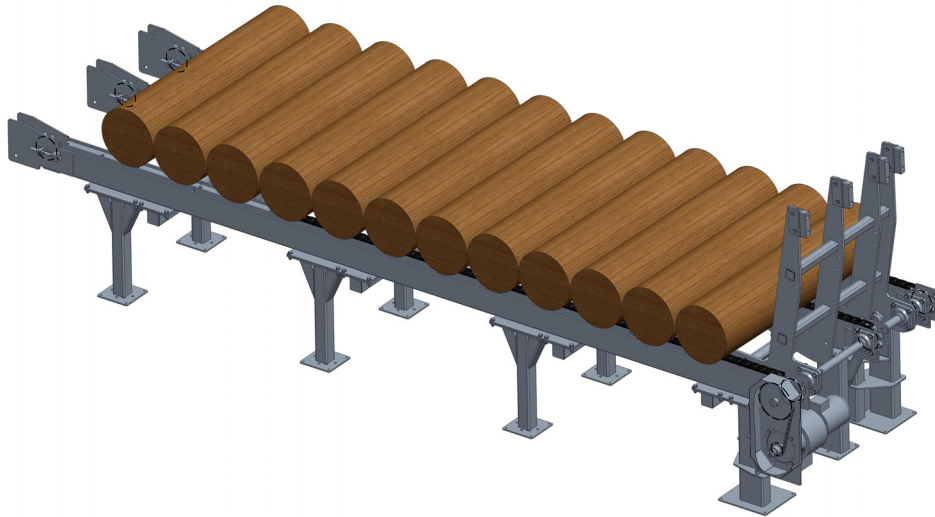


FIG. 2-2 CORRECT WAY TO LOAD LOGS

See Figure 2-3. The incorrect way to load logs that can result in damage to the log deck is shown below.

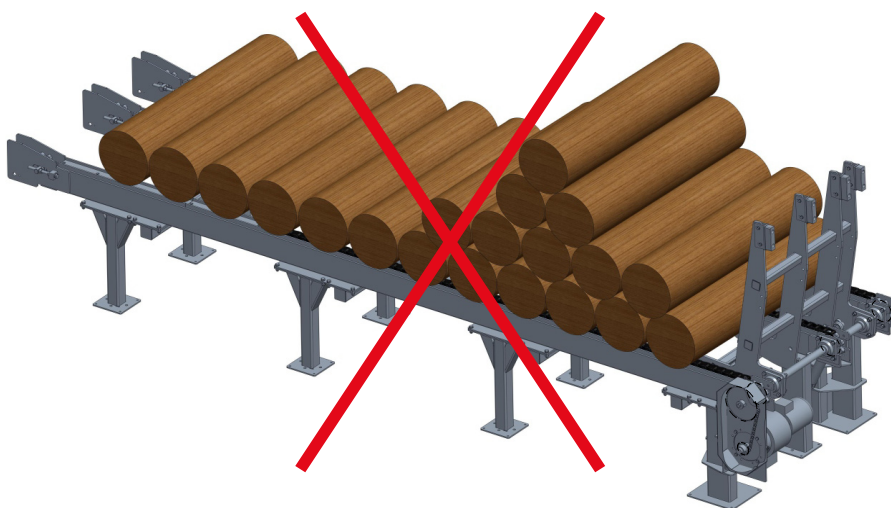


FIG. 2-3 INCORRECT WAY TO LOAD LOGS

2.2 Overall Dimensions

See Figure 2-1. The figure below shows the overall dimensions of the LD2 12-2S Log Infeed Deck.

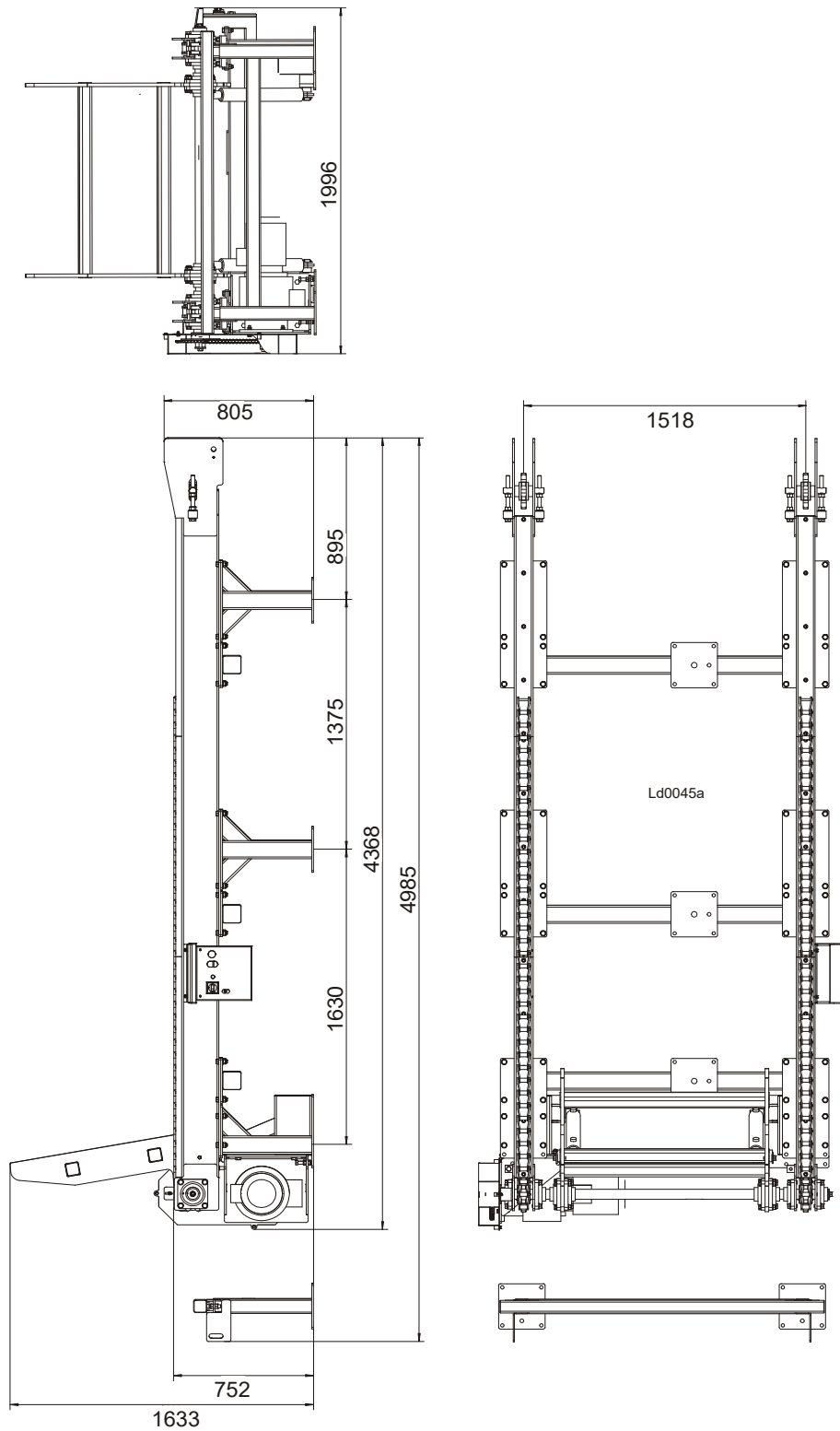


FIG. 2-1 LD2 12-2S LOG INFEEDECK

See Figure 2-2. The figure below shows the overall dimensions of the LD2 6H-2S-WB Log Infeed Deck.

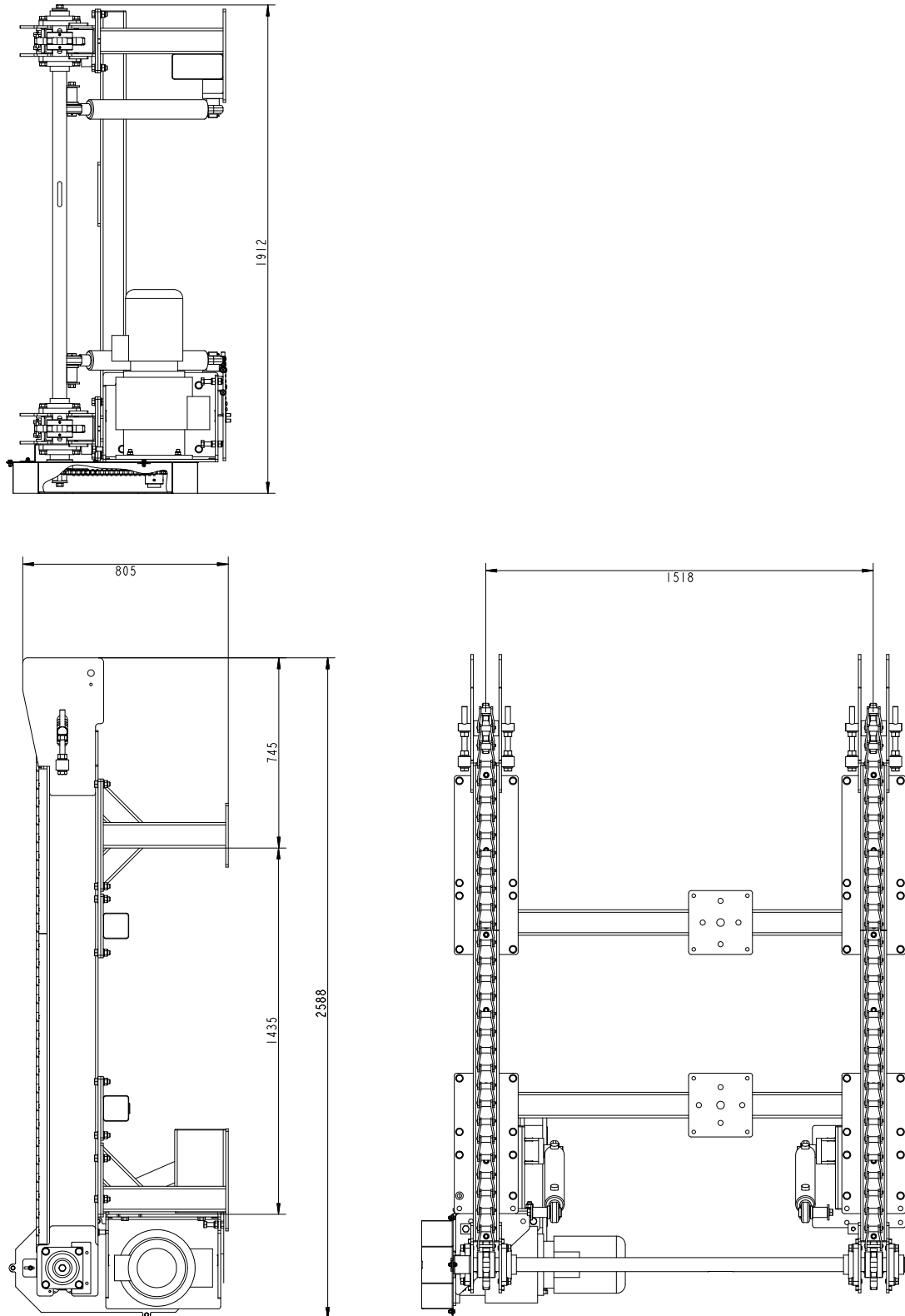


FIG. 2-2 LD2 6H-2S-WB LOG INFEED DECK

2 General Information

Overall Dimensions

See Figure 2-3. The figure below shows the overall dimensions of the LD2 20-2S Log Infeed Deck.

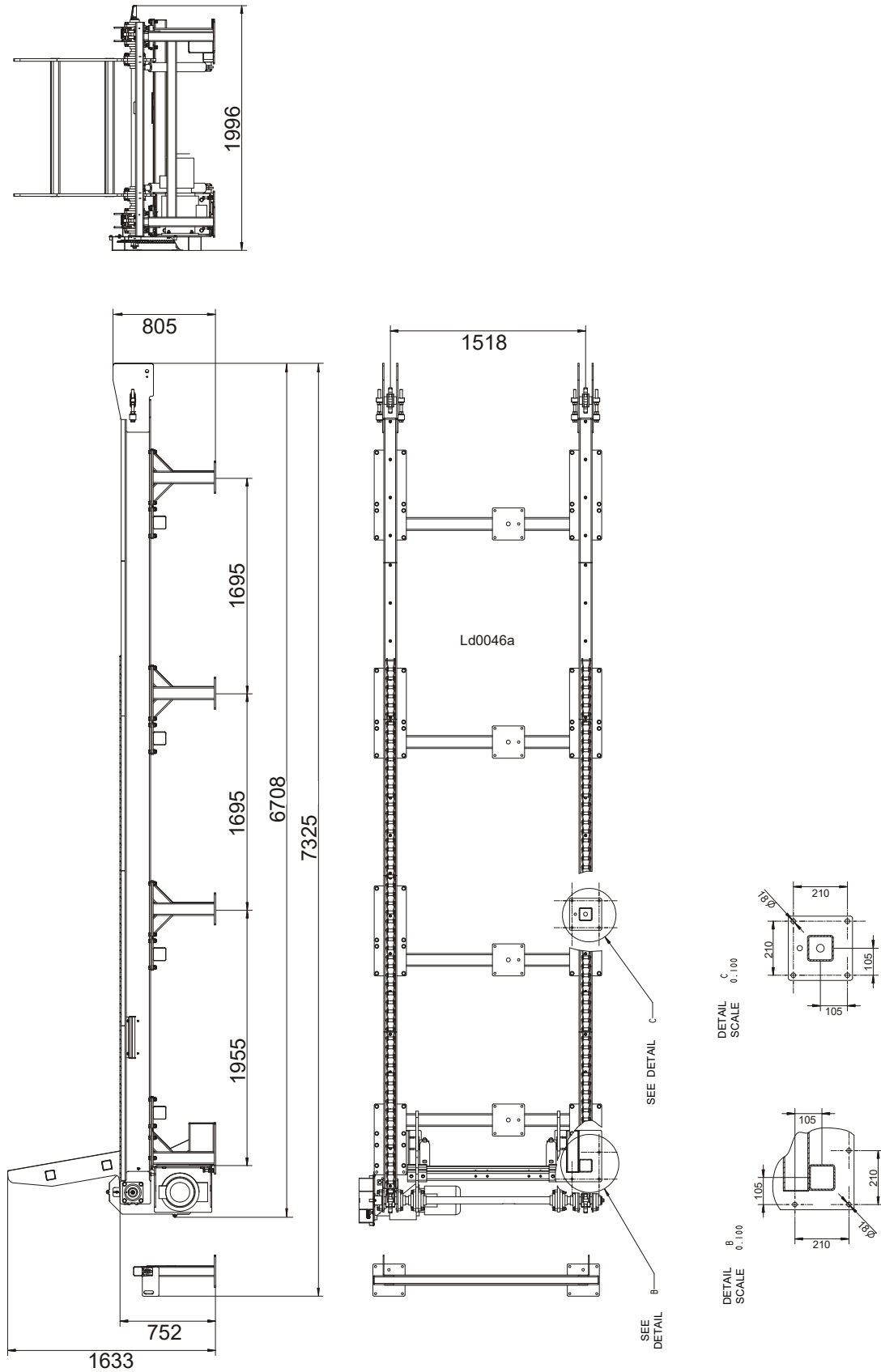


FIG. 2-3 LD2 20-2S LOG INFEED DECK

See Figure 2-4. The figure below shows the overall dimensions of the LD2 12-2SR Log Infeed Deck.

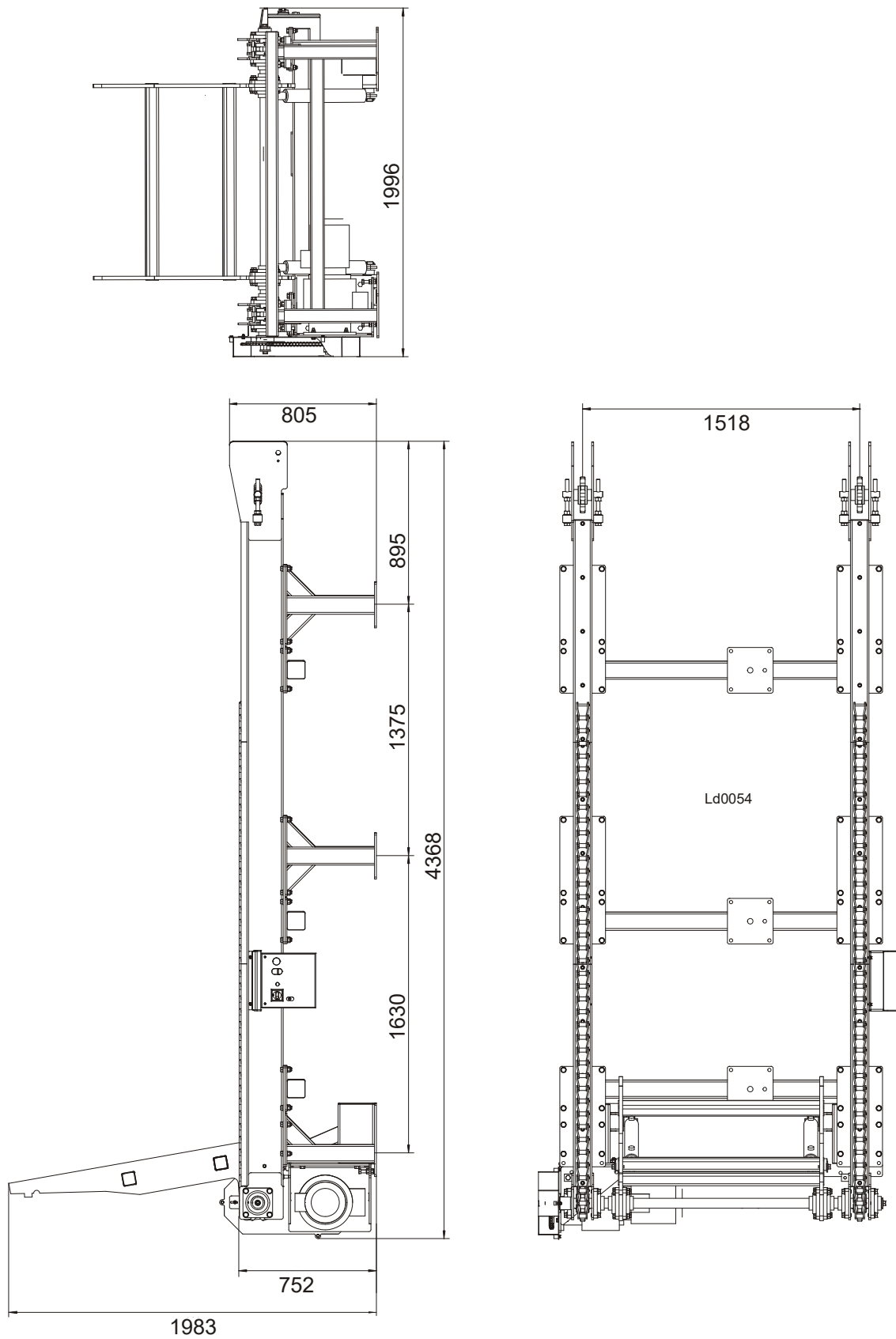


FIG. 2-4 LD2 12-2SR LOG INFEED DECK

2 General Information

Overall Dimensions

See Figure 2-5. The figure below shows the overall dimensions of the LD2 20-2SR Log Infeed Deck.

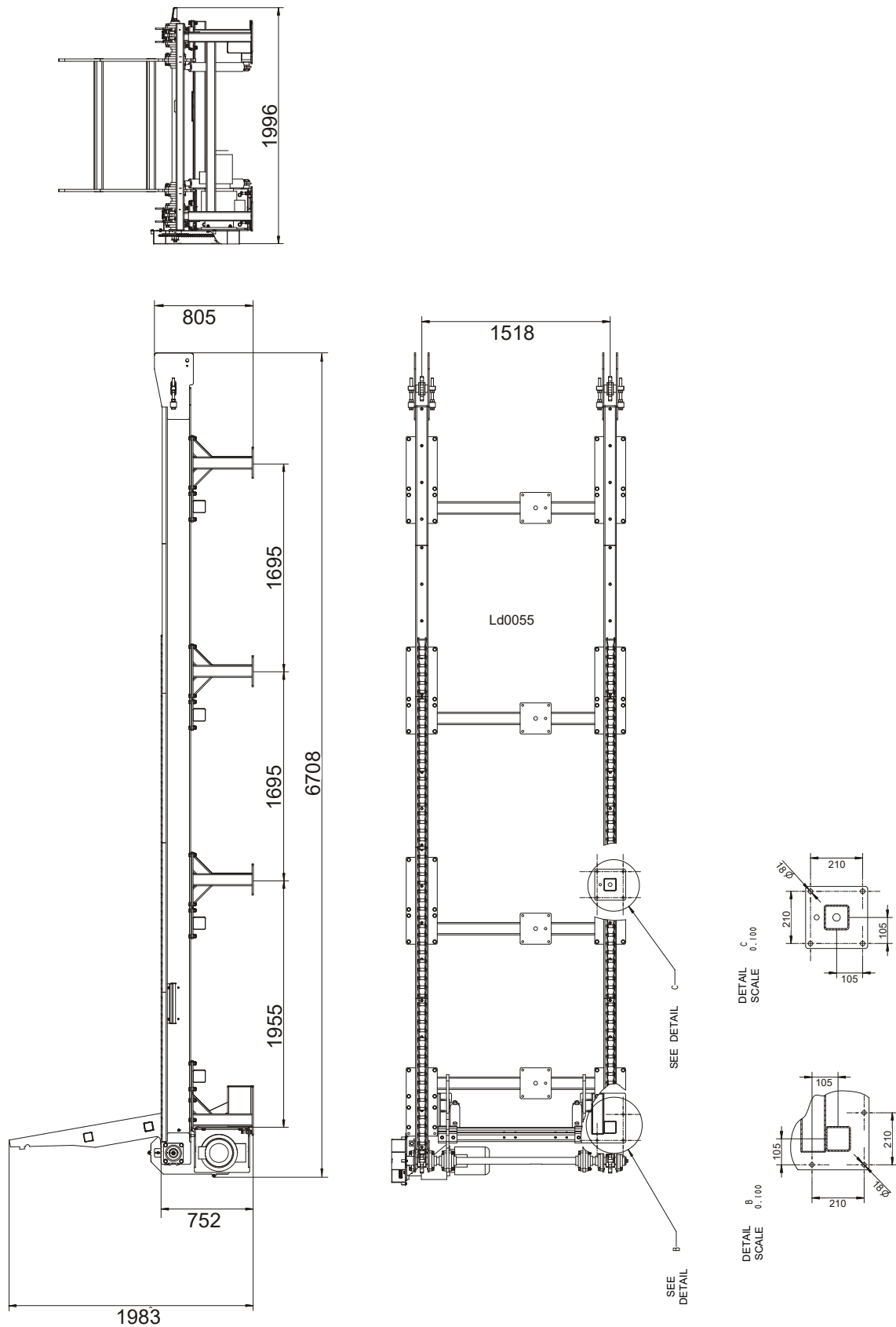


FIG. 2-5 LD2 20-2SR LOG INFEED DECK

See Figure 2-6. The figure below shows the overall dimensions of the LD2-12H-3S-Wide Log Infeed Deck.

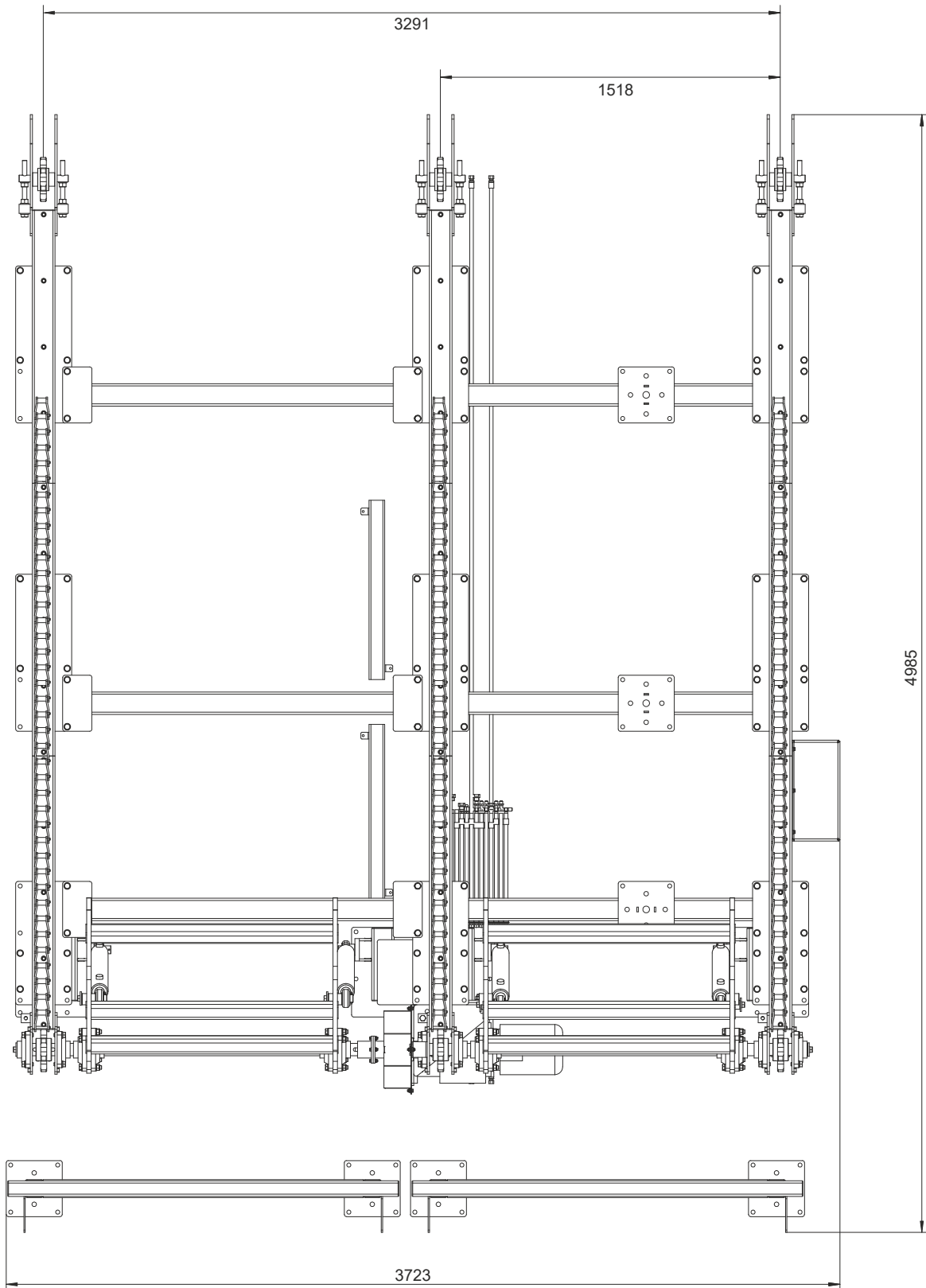


FIG. 2-6 LD2-12-3S-WIDE LOG INFEED DECK

2 General Information

Overall Dimensions

See Figure 2-7. The figure below shows the overall dimensions of the LD2-20H-3S-WIDE Log Infeed Deck.

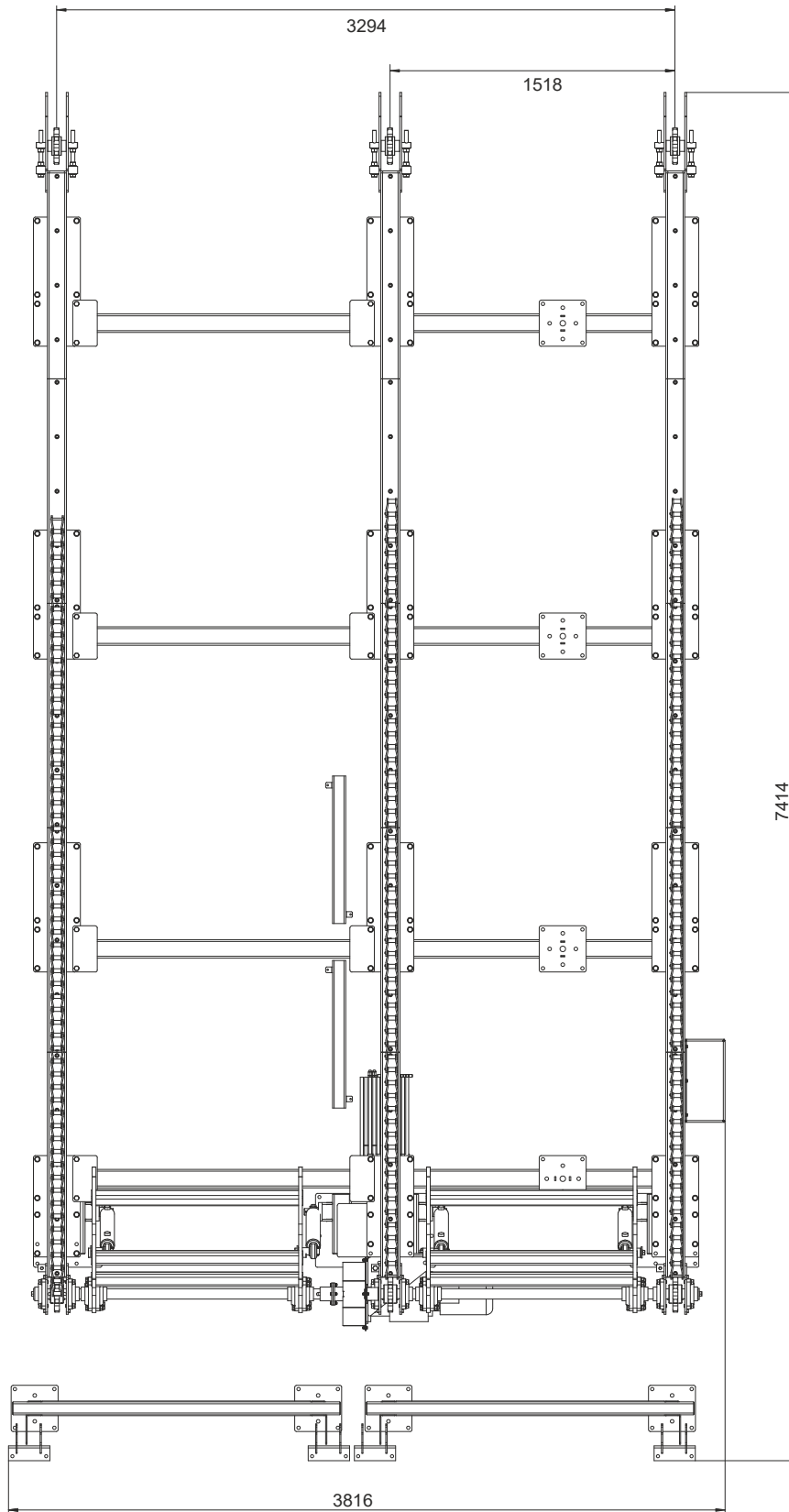


FIG. 2-7 LD2-20H-3S-WIDE LOG INFEED DECK

See Figure 2-8. The figure below shows the overall dimensions of the LD2-12H-3SR-300 WIDE Log Infeed Deck.

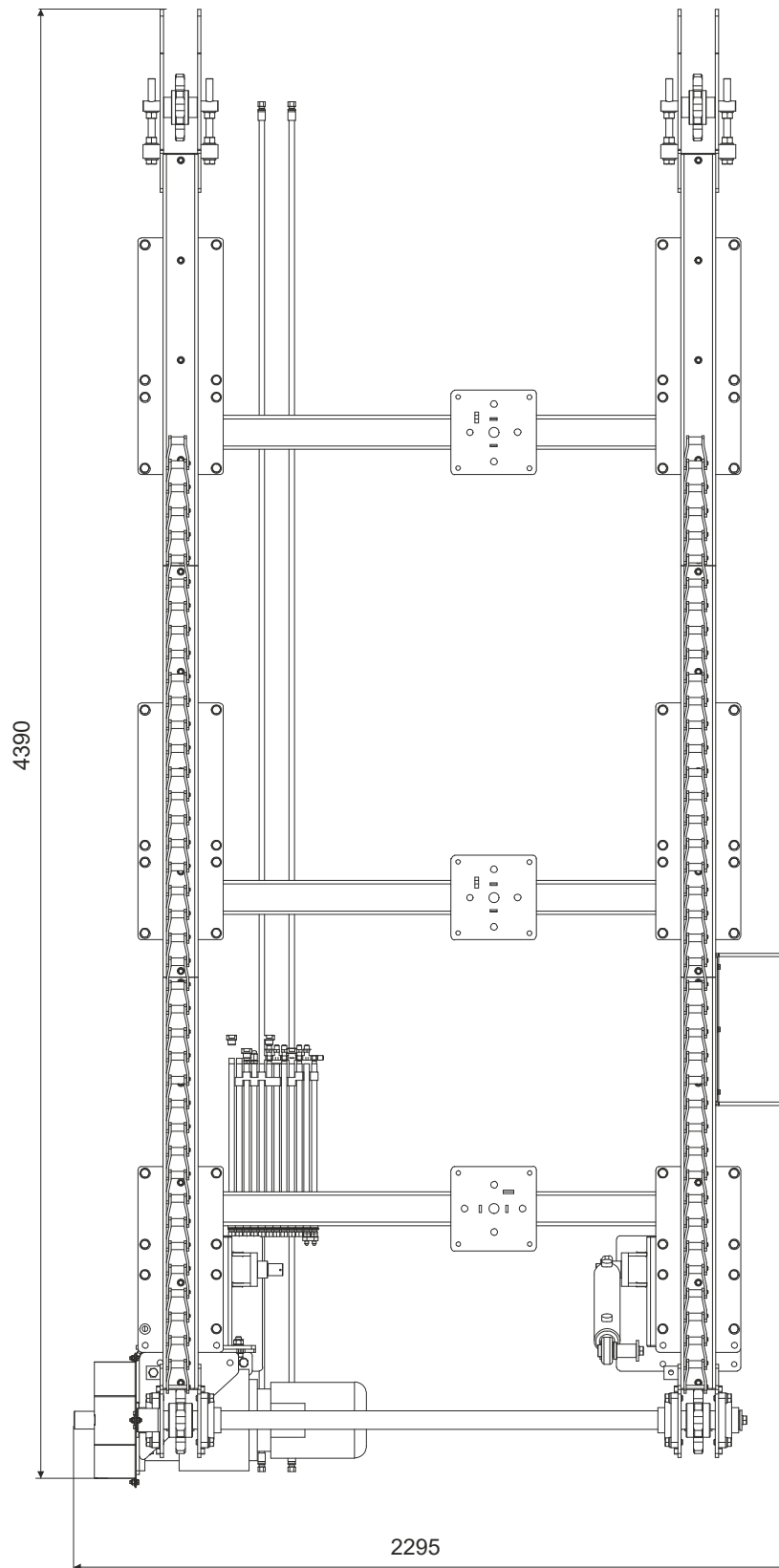


FIG. 2-8 LD2-12H-3SR-300 WIDE LOG INFEEDECK

2**General Information***Overall Dimensions*

See Figure 2-9. See the table below for the weight of your Log Infeed Deck.

Model	Weight
LD2 12	1200 kg

SECTION 3 SETUP & OPERATION

3.1 Operation (LT70HD Remote)



DANGER! Always be aware of and take proper protective measures against rotating shafts, pulleys, fans, etc. Always stay a safe distance from rotating members and make sure that loose clothing or long hair does not engage rotating members resulting in possible injury.



WARNING! Keep all persons out of the path of moving equipment and logs while operating log deck. Failure to do so may result in serious injury or death.



CAUTION! Never drop logs onto the log deck from a height more than 6" (15 cm) when loading. Failure to do so may result in damage to the log deck.

3

Operation & Setup

Operation (LT70HD Remote)

See Figure 3-1. Use the “HEAD/BED” button to activate the bed mode. To operate the drive chain use the chain switch. Turn the switch to the “R” position to move the log toward the sawmill bed, release the switch to stop the log. Turn the switch to the “L” position to move the the log backward. Press and hold the left joystic button. Move the right joystick right to move the log on the sawmills bed.

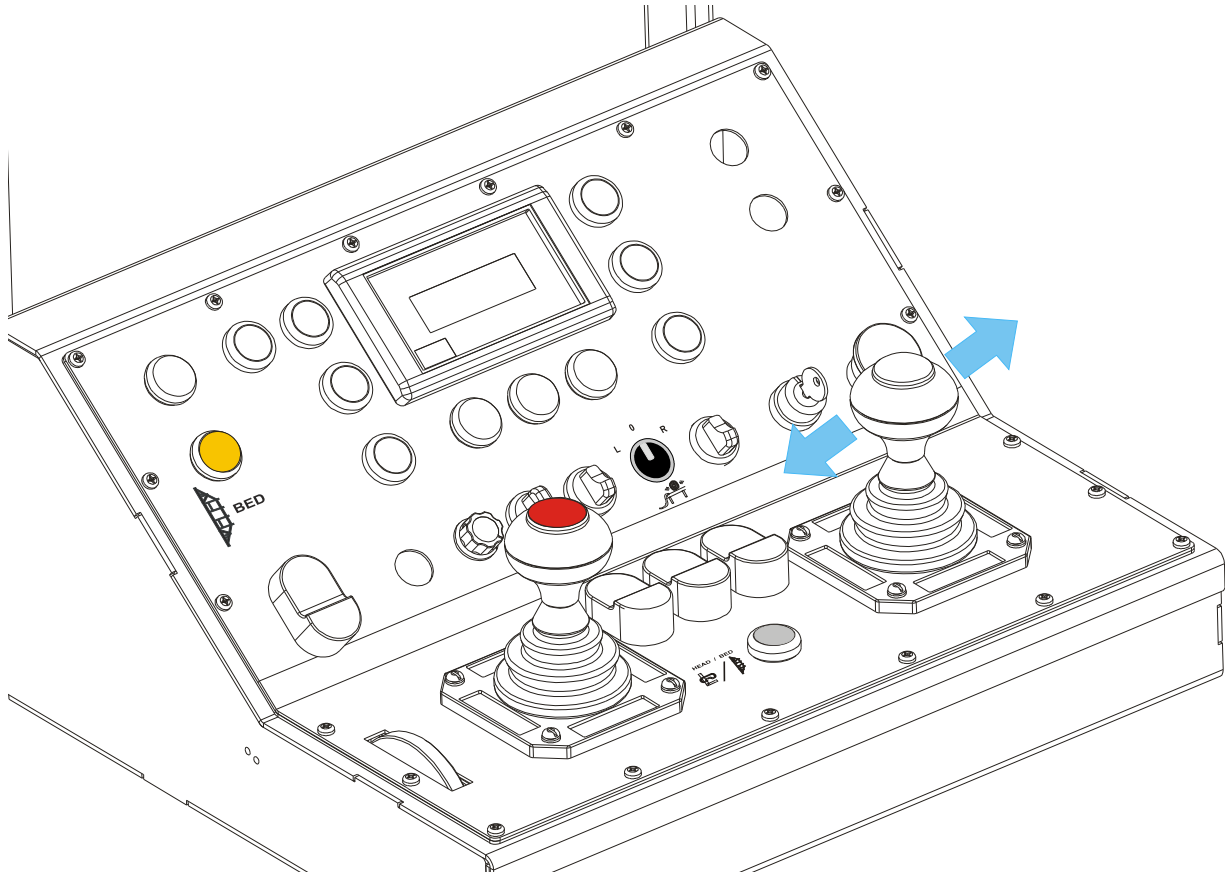





FIG. 3-1

3.2 Operation (LT300)

 **DANGER!** Always be aware of and take proper protective measures against rotating shafts, pulleys, fans, etc. Always stay a safe distance from rotating members and make sure that loose clothing or long hair does not engage rotating members resulting in possible injury.

 **WARNING!** Keep all persons out of the path of moving equipment and logs while operating log deck. Failure to do so may result in serious injury or death.

 **CAUTION!** Never drop logs onto the log deck from a height more than 6" (15 cm) when loading. Failure to do so may result in damage to the log deck.

After the Log Infeed Deck is installed, you can start to operate the unit. Use the right joystick to control the log handling functions. Push the top button on the left joystick to change to bed mode. While in bed mode, push the joystick forward to lower the log loader, pull it back to raise the log loader.

See Figure 3-2.

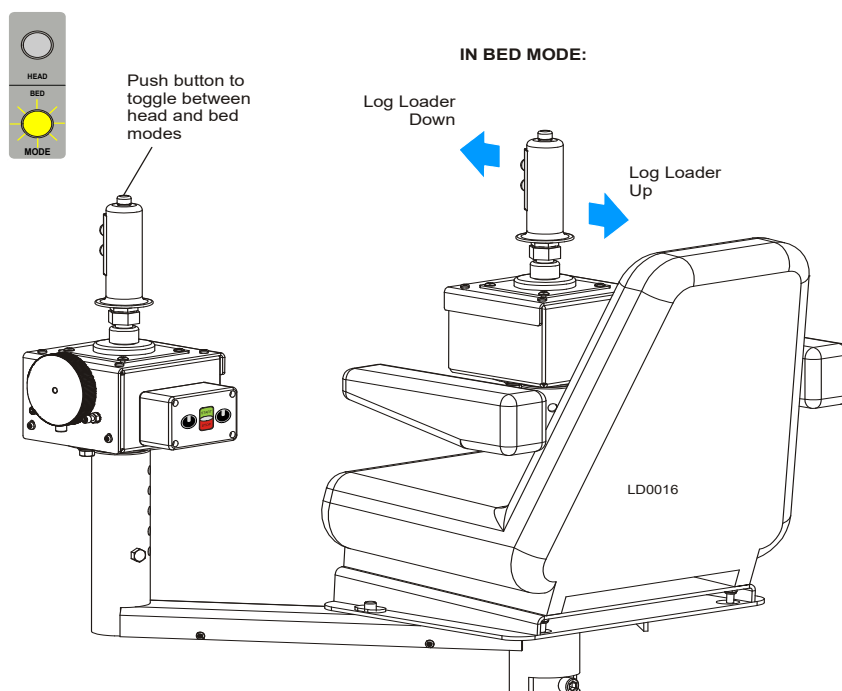


FIG. 3-2

3 Operation & Setup

Operation (LT300)

To control the log deck hydraulic drive chain use the chain switch. Turn the switch right to move the log toward the sawmill bed, release the switch to stop the log. Turn the switch left to move the the log backward. **NOTE:** Push the START button located on the LT300 control box to turn on electrical power to the machine. Then push button control station activates the log deck feed chain only when the LT300 sawmill is powered on.

See Figure 3-3.



FIG. 3-3

EC declaration of conformity according to EC Machinery Directive 2006/42/EC, Annex II, 1.A

Manufacturer:

Wood-Mizer Industries sp. z o.o.
Nagórna 114, 62-600 Koło; Poland
Tel. +48 63 26 26 000

This declaration of conformity is issued under the sole responsibility of the manufacturer.

Following machine in our delivered version complies with the appropriate essential safety and health requirements of the EC Machinery Directive 2006/42/EC based on its design and type, as brought into circulation by us. In case of alteration of the machine, not agreed by us, this declaration is no longer valid.

We, the undersigned herewith declare, that:

Designation of the machine: **Log Deck**
TYPE: LD2-12H-2S-300
No. of manufacturer: LD2/005/2015

**Is in conformity with the following
EC directives:**

EC Machinery Directive 2006/42/EC
EC Electromagnetic Compatibility Directive
2014/30/EU

**And is in conformity with the following
Harmonized Standards:**

PN-EN ISO 12100:2012;
PN-EN ISO 14120:2016-03 ;
PN-EN 349+A1:2010 ;
PN-EN ISO 13849-1:2016-02;
PN-EN 60204-1:2010;
PN-EN ISO 13857:2010;

Responsible for Technical Documentation:

Tomasz Agaciński / Engineering Manager
Wood-Mizer Industries Sp. z o.o.
62-600 Koło, Nagórna 114, Poland
Tel. +48 63 26 26 000

Place/Date/Authorized Signature:

Koło, 21.04.2015



Title :

Engineering Manager