

Horizontal Resaw

HR700

Parts List

HR700E20S	rev. A5.01
(HR1-6E20S)	rev. A5.01
HR700E25	rev. A5.01
(HR1-6E25)	rev. A5.01



Safety is our #1 concern! Read and understand all safety information and instructions before operating, setting up or maintaining this machine.

Form #1023US

Table of Contents

Section-Page

SECTION 1 REPLACEMENT PARTS

2-1

1.1	How To Use The Parts List	2-1
1.1	Sample Assembly	2-1
1.2	Main Module Base	2-2
1.3	HR700 Main Module Feed Track	2-3
1.4	Additional Module Base, HR700	2-5
1.5	HR700 Additional Module Feed Track	2-7
1.6	Feed Chain Drive Assembly, HR700	2-9
1.7	Feed Chain Drive Assembly, HR700 PRO	2-11
1.8	HR700 Hold-Down Arms (Optional)	2-13
1.9	HR700 Hold-Down Rollers	2-14
1.10	Air Supply Assembly	2-15
1.11	HR700 Drive Roller	2-16
1.12	Mechanical Valve Assembly	2-18
1.13	Strengthening Bracket	2-19
1.14	Hold-Down Roller Mount Bracket	2-20
1.15	Hold-Down Roller, 126 (Optional)	2-21
1.16	Roller Kits, HR700 1-6 Additional Hold-Down	2-23
1.17	Up/Down System, HR700	2-24
1.18	Blade Guide Assembly, Idle Side	2-26
1.19	Blade Guide Assembly, Drive Side	2-27
1.20	Blade Wheel Assembly, Drive Side	2-28
1.21	Blade Wheel Assembly, Idle Side	2-29
1.22	Drive Shaft, HR500/HR700	2-30
1.23	Hydraulic Blade Tensioner Assembly	2-31
1.24	Hydraulic Blade Tensioner	2-33
1.25	Hydraulic Pump Assembly	2-35
1.26	Water Tank	2-37
1.27	Blade Lube System.....	2-39
1.28	Blade Lube System, HR700 PRO	2-41
1.29	HR700 Saw Head Warning Decals	2-43
1.30	Pneumatic System Decals	2-45
1.31	HR700 Saw Head	2-46
1.32	Front Blade Housing Cover	2-47
1.33	Adjustable Saw Head Guide Rollers	2-49
1.34	Fixed Saw Head Guide Rollers	2-50
1.35	HR700 Vertical Mast	2-51
1.36	Drive Belt Guard	2-53
1.37	Drive Belt Guard, HR700 PRO	2-54
1.38	Adjustable Blade Guide Arm	2-55
1.39	E20 (Standard) & E25 (Option) Motors	2-57
1.40	E25 Tamel (Option) Motor	2-58

Table of Contents

Section-Page

1.41	E15 Motor Assembly (Option)	2-59
1.42	E30 Motors, HR700 PRO	2-60
1.43	Idle Roller Table, SLPIRT	2-62
1.44	Cross Roller Table, SLPCRT	2-64
1.45	Control Box, HR700 PRO	2-66
1.46	Multisetwork	2-68
1.47	Up/Down Drive Assembly, HR700 (Optional)	2-69
1.48	Ground Cable	2-73
1.49	Electric Boxes	2-74
1.50	Electric Boxes, HR700 PRO	2-76
1.51	Single Blade Tension Assembly (Optional for non-CE Markets)	2-77
1.52	Oil Flow Control Valve (Optional for First Saw Head)	2-78
1.53	Oil Flow Control Valve (Optional for Second Saw Head)	2-79
1.54	Blade Tension Assembly (For 6-head versions only) 595249	1-80
1.55	Oil Flow Control 595248	1-81
1.56	Sweeper Assembly, Drive-Side Blade Wheel (No. 557293)	1-82
1.57	Blade Wheels & Guide Rollers, HR700 2” Blade (Kit No. 557280)	1-83
1.58	Roller Drive Shaft Assembly (No. 511885)	1-85
1.59	Activator Plate Assembly	1-86

SECTION 2 SIDE FENCE (CE VERSION ONLY) 2-1

2.1	Side Fence	2-1
2.2	Hold-Down Rollers Side Fence	2-2
2.3	Moving Side Fence Support Bracket	2-3
2.4	Fixed Side Fence Support Bracket & Front Connection Bracket	2-5
2.5	Fixed Side Fence Support Bracket & Rear Connection Bracket	2-6
2.6	Middle Support Bracket	2-7
2.7	Side Fence Barriers	2-9
2.8	Front Bracket	2-10
2.9	Rear Bracket	2-11

SECTION 3 CONTROL BOX 3-1

3.1	Control Box	3-1
3.2	Front Control Panel	3-3

SECTION 4 RETURN CONVEYORS (OPTION) 4-1

4.1	Return Conveyor, HR500-1/HR700-1/HR500-2/HR700-2	4-1
4.2	Return Conveyor, HR500-3/HR700-3/HR500-4/HR700-4	4-2
4.3	Return Conveyor, HR500-5/HR700-5/HR500-6/HR700-6	4-4
4.4	Return Conveyor Table Extension	4-6
4.5	Main Return Conveyor	4-7
4.6	Main Return Conveyor	4-8
4.7	Main Return Conveyor Base	4-10

Table of Contents

Section-Page

4.8	Rear Incline Table	4-11
4.9	Front Roller	4-12
4.10	Electric Box Assembly	4-13
4.11	Return Conveyor Electric Box	4-14

SECTION 1 REPLACEMENT PARTS

1.1 How To Use The Parts List

- Go to the appropriate section and locate the part in the illustration.
- Use the number pointing to the part to locate the correct part number and description in the table.
- Parts shown indented under another part are included with that part.
- Parts marked with a diamond (◆) are only available in the assembly listed above the part.

See the sample table below. Sample Part #A01111 includes part F02222-2 and subassembly A03333. Subassembly A03333 includes part S04444-4 and subassembly K05555. The diamond (◆) indicates that S04444-4 is not available except in subassembly A03333. Subassembly K05555 includes parts M06666 and F07777-77. The diamond (◆) indicates M06666 is not available except in subassembly K05555.

1.1 Sample Assembly				
REF.	DESCRIPTION (◆ Indicates Parts Available In Assemblies Only)	PART #	QTY	
	SAMPLE ASSEMBLY, COMPLETE (INCLUDES ALL INDENTED PARTS BELOW)	A01111	1	
1	Sample Part	F02222-22	1	
2	Sample Subassembly (Includes All Indented Parts Below)	A03333	1	
	Sample Part (◆ Indicates Part Is Only Available With A03333)	S04444-4	1	◆
3	Sample Subassembly (Includes All Indented Parts Below)	K05555	1	
	Sample Part (◆ Indicates Part Is Only Available With K05555)	M06666	2	◆
4	Sample Part	F07777-77	1	

To Order Parts:

From Europe call your local distributor or our European Headquarters and Manufacturing Facility in Kolo, Nagórna 114 St, Poland at **+48-63-2626000** or **+48-3912-1319**. From the continental U.S., call at **1-800-448-7881**. Have your customer number, vehicle identification number, and part numbers ready when you call. From other international locations, contact the Wood-Mizer distributor in your area for parts.

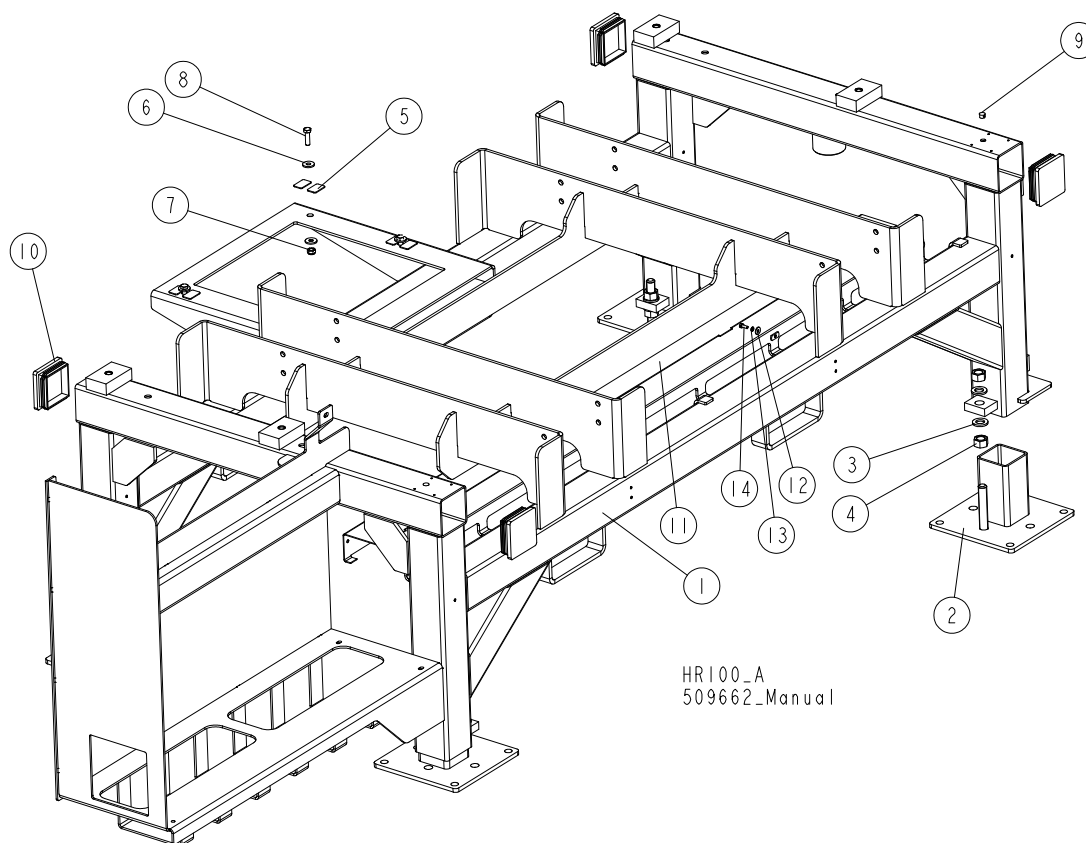


CAUTION! It is strongly recommended that only original spare parts be used.

1 REPLACEMENT PARTS

Main Module Base

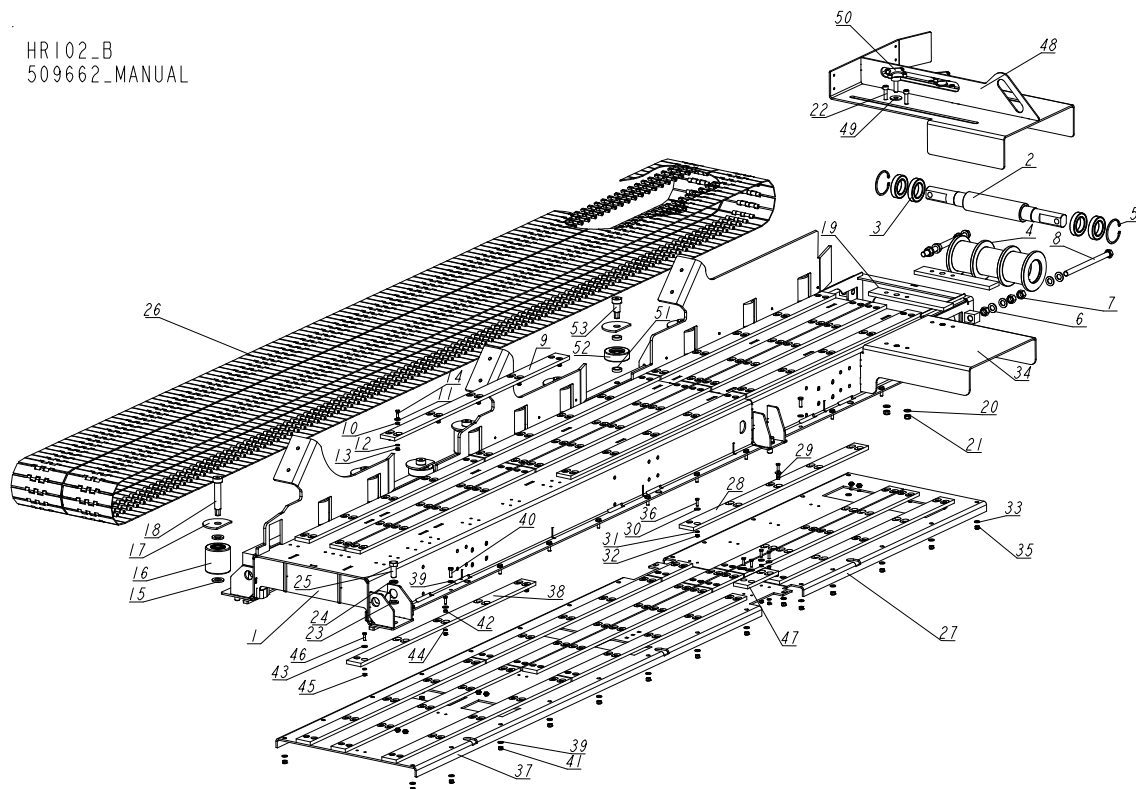
1.2 Main Module Base



REF.	DESCRIPTION (◆ Indicates Parts Available In Assemblies Only)	PART #	QTY
	BASE, HR700-2 MAIN MODULE - COMPLETE	509679	1
1	FRAME, HR700-2 MAIN MODULE BASE	509680-1	1
2	FOOT, LEG ADJUSTABLE	099547-1	4
3	WASHER, 21 FLAT ZINC	F81059-2	8
4	NUT, M20-8 HEX ZINC	F81037-1	8
5	WASHER, SELF-ADHESIVE CORK	502881	8
6	WASHER, 10.5 SPECIAL FLAT ZINC	F81055-6	8
7	NUT, M10-8-B HEX NYLON ZINC LOCK	F81033-1	4
8	BOLT, M10X35 8.8 HEX HEAD FULL THREAD ZINC	F81003-17	4
9	PLUG, 12.7 HOLE HEYMAN DP-812	086773	2
10	CAP, 100X100 #199200 SQUARE	090694	4
	COVER, CABLE/HOSE DUCT - COMPLETE	515182	1
11	COVER, CABLE/HOSE DUCT	515183-1	1
12	WASHER, 6.5 SPECIAL FLAT ZINC	F81053-11	4
13	WASHER, Z6.1 SPLIT LOCK ZINC	F81053-3	4
14	BOLT, M6X16-8.8 HEX HEAD FULL THREAD ZINC	F81001-15	4

1.3 HR700 Main Module Feed Track

HR102_B
509662_MANUAL



REF.	DESCRIPTION (◆ Indicates Parts Available In Assemblies Only)	PART #	QTY
-	TRACK, HR700 MAIN MODULE FEED - COMPLETE	509595	1
1	TRACK, HR700-2 MAIN MODULE FEED	509596-1	1
-	TENSIONER, HR700 CHAIN - COMPLETE	509637	1
2	SHAFT, TENSION PULLEY ZINC-PLATED	509639-1	1
3	BEARING, 6009.2RSR (FAG) ROLLING	096025	4
4	PULLEY, CHAIN TENSION ZINC-PLATED	509638-1	1
5	RING, W 75 INSIDE RETAINING	F81090-41	2
6	WASHER, 17 SPLIT LOCK ZINC	F81058-1	8
7	NUT, M16-8 HEX ZINC	F81036-1	6
8	BOLT, ISO 4017-M16X240-8.8-A2E HEX HEAD FULL THREAD	F81006-29	2
9	PAD, FEED TRACK PLASTIC	092080	12
10	BUSHING, 6.2X10X5 ZINC-PLATED SPACER	503674-1	96
11	WASHER, 6.5 SPECIAL FLAT ZINC	F81053-11	120
12	WASHER, 6.4 FLAT ZINC	F81053-1	120
13	NUT, M6-8-B HEX NYLON ZINC LOCK	F81031-2	120
14	BOLT, M6X20 8.8 HEX HEAD FULL THREAD ZINC	F81001-2	120
15	WASHER, 21 FLAT ZINC	F81059-2	18
16	ROLLER, 80 R80-80-80 (ZABI) PLASTIC	099429	9
17	PLATE, GUIDE ROLLER COVER ZINC-PLATED	099441-1	11
18	BOLT, 20/M16X90 12.9 ISO7379 SHOULDER (BOSSARD)	F81006-30	9
19	WASHER, LOG GUIDE SLIDE	099478	2

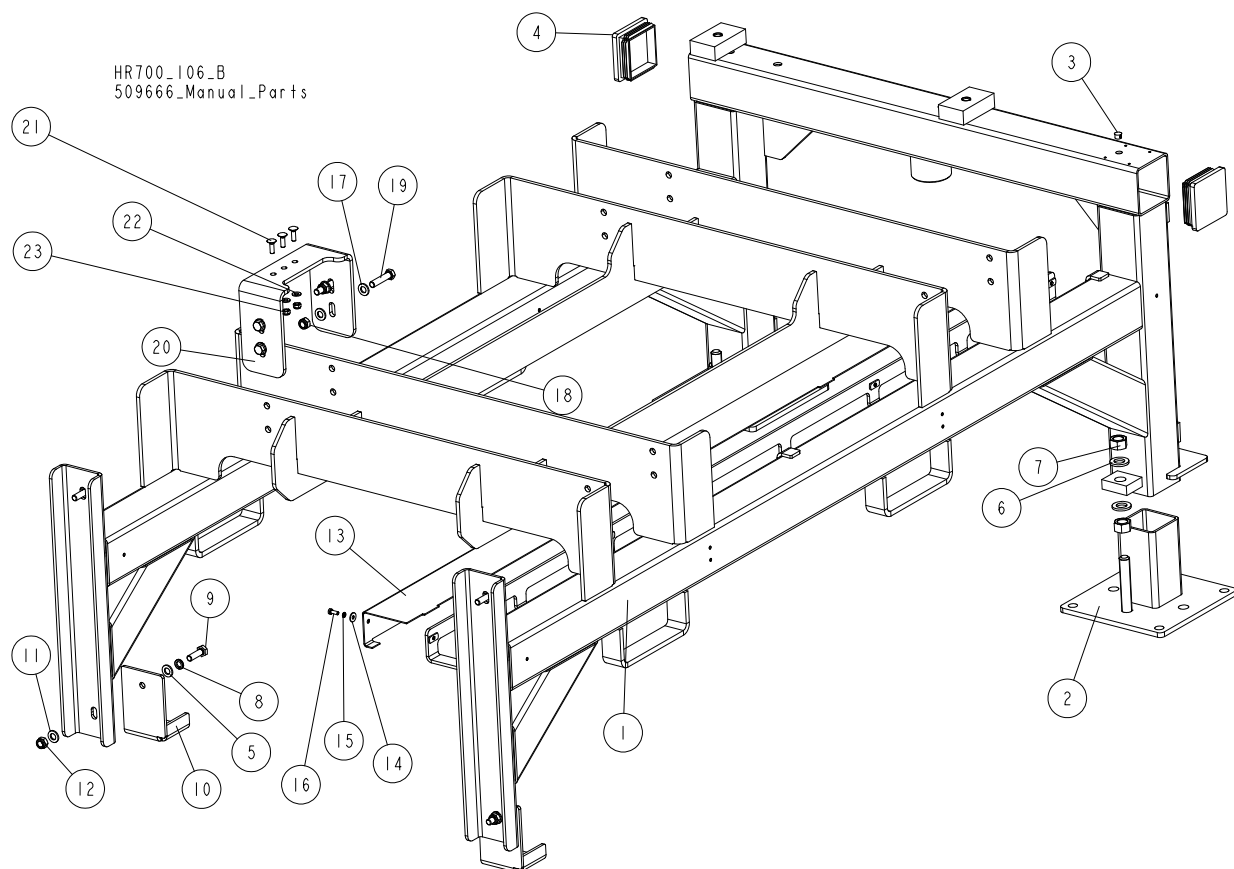
1

REPLACEMENT PARTS

HR700 Main Module Feed Track

REF.	DESCRIPTION (◆ Indicates Parts Available In Assemblies Only)	PART #	QTY	
20	WASHER, 10.5 FLAT ZINC	F81055-1	4	
21	NUT, M10-8-B HEX NYLON ZINC LOCK	F81033-1	4	
22	SCREW, M10X35-8.8 HEX SOCKET HEAD CAP ZINC	F81003-56	4	
23	WASHER, 17 FLAT ZINC	F81058-1	4	
24	WASHER, 16.3 SPLIT LOCK ZINC	F81058-2	4	
25	BOLT, M16X40-8.8 HEX HEAD FULL THREAD ZINC	F81006-13	4	
26	CHAIN, ACCATE S802 K750 7.94.110 (204-LINK)	099080	2	
-	PLATE, SHORT CHAIN SUPPORT - COMPLETE	509624	1	
27	PLATE, SHORT CHAIN SUPPORT	509626-1	1	
28	PAD, FEED TRACK PLASTIC	092080	4	
29	BUSHING, 6.2X10X5 ZINC-PLATED SPACER	503674-1	24	
30	WASHER, 6.5 SPECIAL FLAT ZINC	F81053-11	24	
31	WASHER, 6.4 FLAT ZINC	F81053-1	24	
32	NUT, M6-8-B HEX NYLON ZINC LOCK	F81031-2	24	
33	WASHER, 8.4 FLAT ZINC	F81054-1	20	
34	BOLT, M8X25-8.8-B HEX HEAD FULL THREAD ZINC	F81002-5	10	
35	NUT, M8-8-B HEX NYLON ZINC LOCK	F81032-2	10	
36	BOLT, M6X20 8.8 HEX HEAD FULL THREAD ZINC	F81001-2	24	
-	PLATE, LONG CHAIN SUPPORT - COMPLETE	509620	1	
37	PLATE, LONG CHAIN SUPPORT	509622-1	1	
38	PAD, FEED TRACK PLASTIC	092080	8	
39	WASHER, 8.4 FLAT ZINC	F81054-1	36	
40	BOLT, M8X25-8.8-B HEX HEAD FULL THREAD ZINC	F81002-5	18	
41	NUT, M8-8-B HEX NYLON ZINC LOCK	F81032-2	18	
42	BUSHING, 6.2X10X5 ZINC-PLATED SPACER	503674-1	72	
43	WASHER, 6.5 SPECIAL FLAT ZINC	F81053-11	96	
44	WASHER, 6.4 FLAT ZINC	F81053-1	96	
45	NUT, M6-8-B HEX NYLON ZINC LOCK	F81031-2	96	
46	BOLT, M6X20 8.8 HEX HEAD FULL THREAD ZINC	F81001-2	96	
47	PAD, FEED TRACK PLASTIC - SHORT	099430	4	
48	BRACKET, HR700 LOG GUIDE	511819-1	1	
49	WASHER, 13 SPECIAL FLAT ZINC	F81056-14	2	
50	KNOB, SR1580 80X40M12 (466408 MOSS)	100848	2	
51	BUSHING, N21XN30X7.2	503478-1	4	
52	ROLLER, R80-25/20 STRAIGHT PLASTIC	521121	2	
53	BOLT, 20/M16X30 12.9 ISO 7379 SHOULDER	F81006-50	2	

1.4 Additional Module Base, HR700

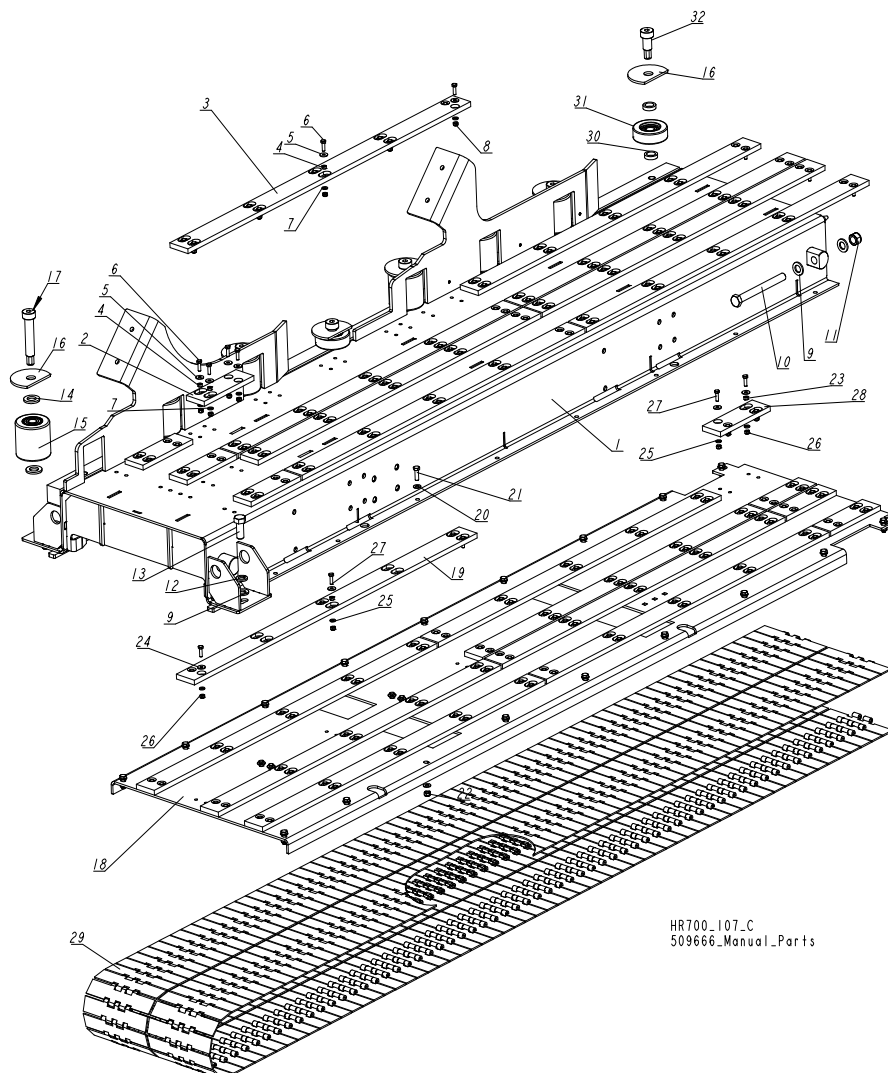


REF.	DESCRIPTION (◆ Indicates Parts Available In Assemblies Only)	PART #	QTY
	BASE, HR700-2 ADDITIONAL MODULE - COMPLETE	509681	1
1	BASE, HR700-2 ADDITIONAL MODULE	509682-1	1
2	FOOT, ADJUSTABLE LEG	099547-1	2
3	PLUG, 12.7 HOLE HEYMAN DP-812	086773	1
4	CAP, 100X100 #199200 SQUARE	090694	2
5	WASHER, 13 FLAT ZINC	F81056-1	4
6	WASHER, 21 FLAT ZINC	F81059-2	4
7	NUT, M20-8 HEX ZINC	F81037-1	4
8	WASHER, Z12.2 SPLIT LOCK ZINC	F81056-2	4
9	BOLT, M12X40-8.8 HEX HEAD FULL THREAD ZINC	F81004-4	4
	BRACKET, HR700 FEED TRACK SUPPORT - COMPLETE	514728	2
10	BRACKET, HR700 FEED TRACK SUPPORT	514726-1	1
11	WASHER, 13 FLAT ZINC	F81056-1	1
12	NUT, M12-8 HEX NYLON ZINC LOCK	F81034-2	1
	COVER, CABLE/HOSE DUCT - COMPLETE	515182	1
13	COVER, CABLE/HOSE DUCT	515183-1	1
14	WASHER, 6.5 SPECIAL FLAT ZINC	F81053-11	4
15	WASHER, Z6.1 SPLIT LOCK ZINC	F81053-3	4
16	BOLT, M6X16-8.8 HEX HEAD FULL THREAD ZINC	F81001-15	4

1**REPLACEMENT PARTS***Additional Module Base, HR700*

REF.	DESCRIPTION (◆ Indicates Parts Available In Assemblies Only)	PART #	QTY	
17	WASHER, 13 FLAT ZINC	F81056-1	8	
18	NUT, M12-8 HEX NYLON ZINC LOCK	F81034-2	4	
19	BOLT, M12X55-8.8 HEX HEAD ZINC	F81004-12	4	
20	BRACKET, HR700 FEED TRACK SUPPORT	513495-1	1	
21	BOLT, M8X25-8.8 CARRIAGE HEAD ZINC	F81002-59	3	
22	WASHER, 8.4 FLAT ZINC	F81054-1	3	
23	NUT, M8-8-B HEX NYLON ZINC LOCK	F81032-2	3	

1.5 HR700 Additional Module Feed Track



REF.	DESCRIPTION (◆ Indicates Parts Available In Assemblies Only)	PART #	QTY
	TRACK, HR700 ADDITIONAL MODULE FEED - COMPLETE	509644	1
1	TRACK, HR700-2 ADDITIONAL MODULE FEED	509645-1	1
2	PAD, FEED TRACK PLASTIC - SHORT	099430	4
3	PAD, FEED TRACK PLASTIC	092080	8
4	BUSHING, 6.2X10X5 ZINC-PLATED SPACER	503674-1	72
5	WASHER, 6.5 SPECIAL FLAT ZINC	F81053-11	96
6	BOLT, M6X20 8.8 HEX HEAD FULL THREAD ZINC	F81001-2	96
7	WASHER, 6.4 FLAT ZINC	F81053-1	88
8	NUT, M6-8-B HEX NYLON ZINC LOCK	F81031-2	88
9	WASHER, 17 SPLIT LOCK ZINC	F81058-1	6
10	BOLT, M16X160 HEX HEAD ZINC	F81006-20	2
11	NUT, M16-8 HEX NYLON ZINC LOCK	F81036-2	2
12	WASHER, 16.3 SPLIT LOCK ZINC	F81058-2	2

1

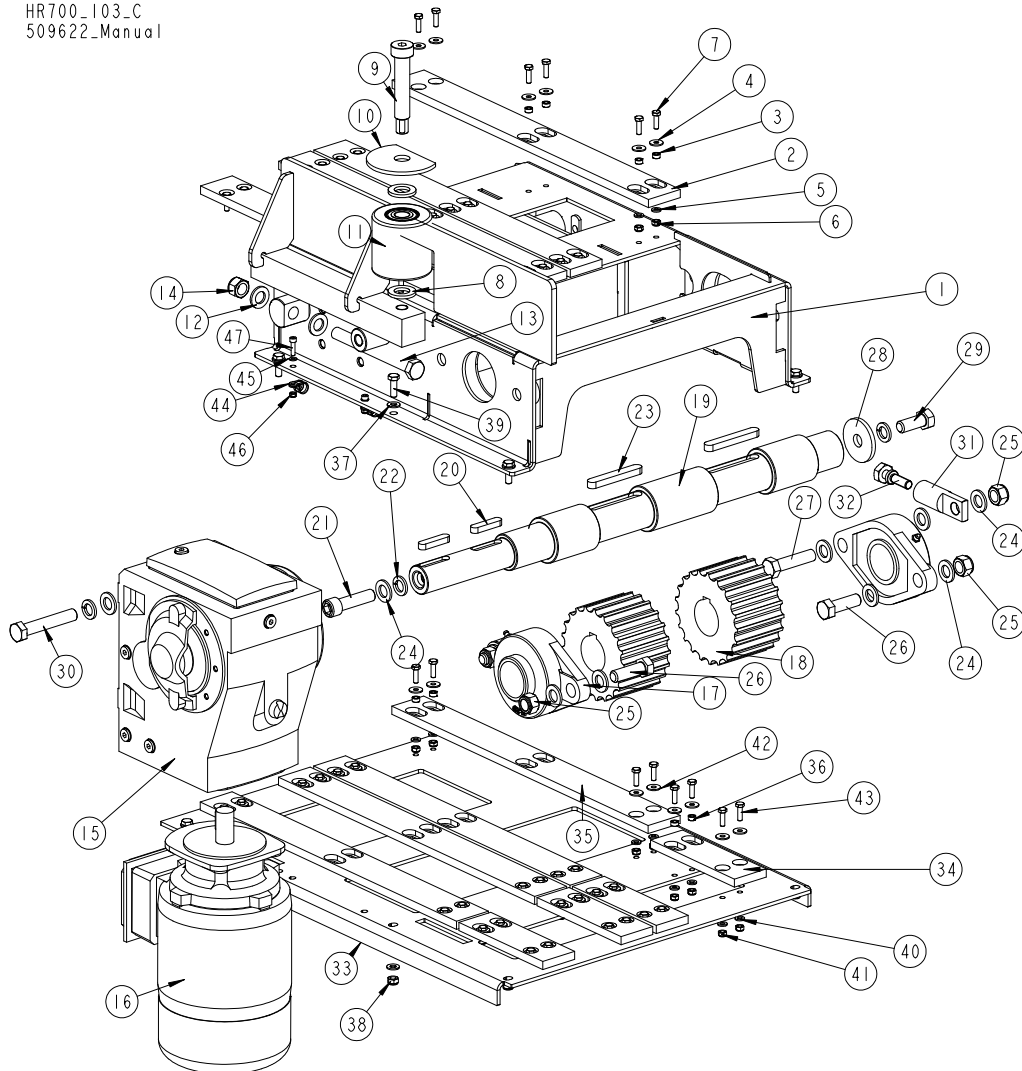
REPLACEMENT PARTS

HR700 Additional Module Feed Track

REF.	DESCRIPTION (◆ Indicates Parts Available In Assemblies Only)	PART #	QTY	
13	BOLT, M16X40-8.8 HEX HEAD FULL THREAD ZINC	F81006-13	2	
14	WASHER, 21 FLAT ZINC	F81059-2	12	
15	ROLLER, 80 R80-80-80 (ZABI) PLASTIC	099429	6	
16	PLATE, GUIDE ROLLER COVER ZINC-PLATED	099441-1	8	
17	BOLT, 20/M16X90 12.9 ISO7379 (BOSSARD) SHOULDER	F81006-30	6	
	PLATE, LONG CHAIN SUPPORT - COMPLETE	509620	1	
18	PLATE, LONG CHAIN SUPPORT	509622-1	1	
19	PAD, FEED TRACK PLASTIC	092080	8	
20	WASHER, 8.4 FLAT ZINC	F81054-1	36	
21	BOLT, M8X25-8.8-B HEX HEAD FULL THREAD ZINC	F81002-5	18	
22	NUT, M8 8 HEX NYLON ZINC LOCK	F81032-2	18	
23	BUSHING, 6.2X10X5 ZINC-PLATED SPACER	503674-1	72	
24	WASHER, 6.5 SPECIAL FLAT ZINC	F81053-11	96	
25	WASHER, 6.4 FLAT ZINC	F81053-1	96	
26	NUT, M6-8-B HEX NYLON ZINC LOCK	F81031-2	96	
27	BOLT, M6X20 8.8 HEX HEAD FULL THREAD ZINC	F81001-2	96	
28	PAD, FEED TRACK PLASTIC - SHORT	099430	4	
29	CHAIN, ACCATE S802 K750 7.94.110 (116-LINK)	099344	2	
30	BUSHING, N21XN30X7.2	503478-1	4	
31	ROLLER, R80-25/20 STRAIGHT PLASTIC	521121	2	
32	BOLT, 20/M16x30 12.9 ISO 7379 SHOULDER	F81006-50	2	

1.6 Feed Chain Drive Assembly, HR700

HR700_103_C
509622_Manual



REF.	DESCRIPTION (◆ Indicates Parts Available In Assemblies Only)	PART #	QTY
-	DRIVE ASSEMBLY, HR700 FEED CHAIN	509611	1
1	BRACKET, CHAIN DRIVE MOUNT	509612-1	1
2	PAD, FEED TRACK PLASTIC (MEDIUM)	099376	4
3	BUSHING, 6.2X10X5 ZINC-PLATED SPACER	503674-1	16
4	WASHER, 6.5 SPECIAL FLAT ZINC	F81053-11	24
5	WASHER, 6.4 FLAT ZINC	F81053-1	16
6	NUT, M6-8-B HEX NYLON ZINC LOCK	F81031-2	16
7	BOLT, M6X20 8.8 HEX HEAD FULL THREAD ZINC	F81001-2	24
8	WASHER, 21 FLAT ZINC	F81059-2	2
9	BOLT, 20/M16X90 12.9 ISO7379 SHOULDER (BOSSARD)	F81006-30	1
10	PLATE, GUIDE ROLLER COVER ZINC-PLATED	099441-1	1
11	ROLLER, 80 R80-80-80 (ZABI) PLASTIC	099429	1
12	WASHER, 17 SPLIT LOCK ZINC	F81058-1	4

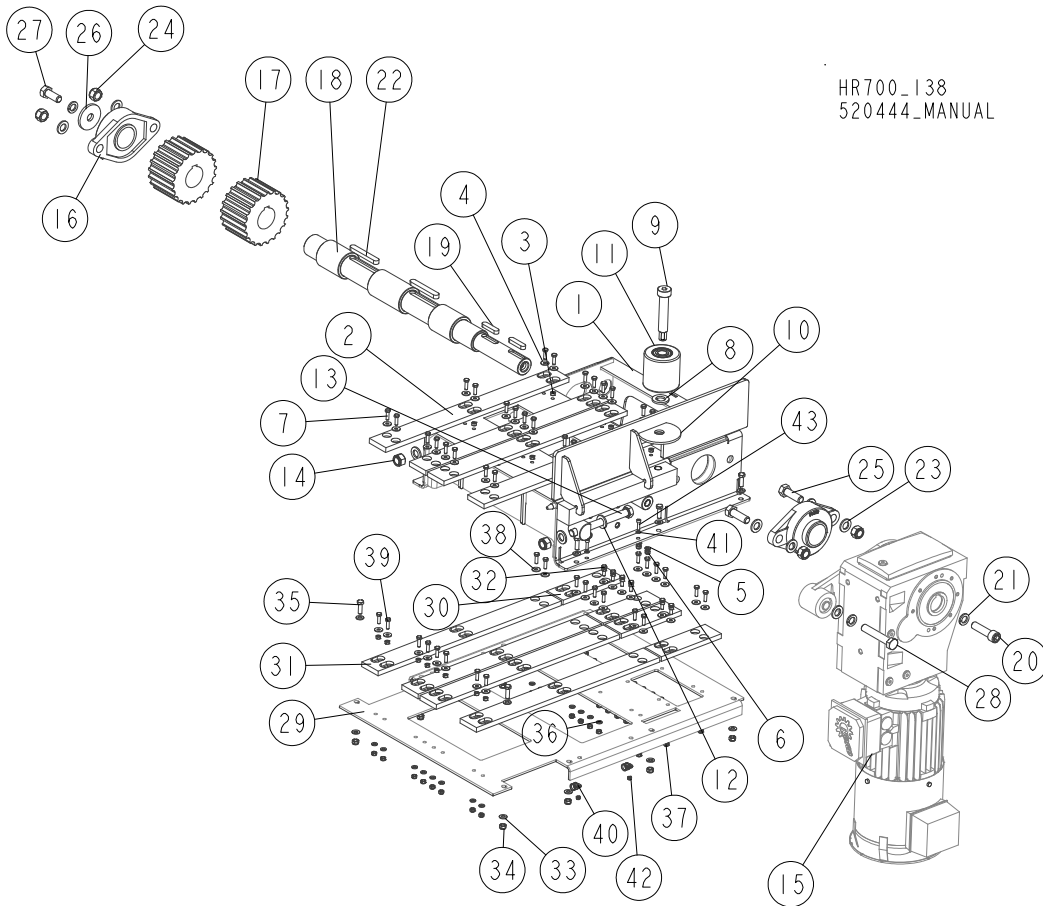
1

REPLACEMENT PARTS

Feed Chain Drive Assembly, HR700

REF.	DESCRIPTION (◆ Indicates Parts Available In Assemblies Only)	PART #	QTY	
13	BOLT, M16X160 HEX HEAD ZINC	F81006-20	2	
14	NUT, M16-8 HEX NYLON ZINC LOCK	F81036-2	2	
-	DRIVE ASSEMBLY, SLAT FEED CHAIN	509634	1	
-	MOTOREDUCER	509630	1	
15	REDUCER, SK9022.1AZBDH, I=49.01 BLACK (NORD)	511846	1	
16	MOTOR, SK 90LH/4 TF, 1.5KW,1400 BLACK (NORD)	511845	1	
17	BEARING, UCFL210 W/HOUSING	098824	2	
18	SPROCKET, KZN 800/21 A=80 B=50	099079	2	
19	SHAFT, HR700 ZINC-PLATED CHAIN DRIVE	509635-1	1	
20	KEY, A12X8X50 PN-70/M8500 DIN6885 PARALLEL	506735	2	
21	SCREW, M16X60-8.8 HEX SOCKET HEAD CAP ZINC	F81006-19	1	
22	WASHER, 16.3 SPLIT LOCK ZINC	F81058-2	3	
23	KEY, A14X9X90 PARALLEL	099424	2	
24	WASHER, 17 FLAT ZINC	F81058-1	11	
25	NUT, M16-8 HEX NYLON ZINC LOCK	F81036-2	4	
26	BOLT, M16X50-8.8 HEX HEAD FULL THREAD ZINC	F81006-7	3	
27	BOLT, M16X65-8.8-B HEX HEAD FULL THREAD ZINC	F81006-1	1	
28	WASHER, 17.5/60-6 ZINC-PLATED	098012-1	1	
29	BOLT, M16X40-8.8 HEX HEAD FULL THREAD ZINC	F81006-13	1	
30	BOLT, M16X90-8.8 HEX HEAD ZINC	F81006-17	1	
31	NUT, M12X1 ADJUSTMENT BOLT ZINC-PLATED	527129-1	1	
32	BOLT, ZINC-PLATED ADJUSTMENT	506552-1	1	
-	PLATE, FEED CHAIN SUPPORT - COMPLETE	509631	1	
33	PLATE, FEED CHAIN SUPPORT	511822-1	1	
34	PAD, FEED TRACK PLASTIC (SHORT)	099430	4	
35	PAD, FEED TRACK PLASTIC (MEDIUM)	099376	4	
36	BUSHING, 6.2X10X5 ZINC-PLATED SPACER	503674-1	16	
37	WASHER, 8.4 FLAT ZINC	F81054-1	16	
38	NUT, M8-8-B HEX NYLON ZINC LOCK	F81032-2	8	
39	BOLT, M8X25-8.8-B HEX HEAD FULL THREAD ZINC	F81002-5	8	
40	WASHER, 6.4 FLAT ZINC	F81053-1	32	
41	NUT, M6-8-B HEX NYLON ZINC LOCK	F81031-2	32	
42	WASHER, 6.5 SPECIAL FLAT ZINC	F81053-11	32	
43	BOLT, M6X20 8.8 HEX HEAD FULL THREAD ZINC	F81001-2	32	
44	CLAMP, RSGU 1.10/12W1 METAL & RUBBER	086861	2	
45	WASHER, 5.3 FLAT ZINC	F81052-1	2	
46	NUT, M5-8 DIN985 HEX NYLON ZINC LOCK	F81030-2	2	
47	SCREW, M5X20 8.8 HEX SOCKET HEAD CAP ZINC	F81000-72	2	

1.7 Feed Chain Drive Assembly, HR700 PRO



REF.	DESCRIPTION (◆ Indicates Parts Available In Assemblies Only)	PART #	QTY
	FEED CHAIN DRIVE ASSEMBLY HR700HD, COMPLETE	520473	1
	FEED CHAIN DRIVE ASSEMBLY HR700HD, COMPLETE - UL	586379	
1	BRACKET, CHAIN DRIVE MOUNT BRACKET	509612-1	1
2	PAD, FEED TRACK (MEDIUM)	099376	4
3	BUSHING, 6.2X10X5, ZINC SPACER	503674-1	16
4	WASHER, 6.5 FLAT SPECIAL ZINC	F81053-11	24
5	WASHER, 6.4 FLAT ZINC	F81053-1	16
6	NUT, M6-8-B-HEX NYLON ZINC LOCK	F81031-2	16
7	BOLT, M6X20 8.8 HEX HEAD ZINC	F81001-2	24
8	WASHER, 21 FLAT ZINC	F81059-2	2
9	BOLT, 20/M16X90 12.9 ISO7379 (BOSSARD) SHOULDER	F81006-30	1
10	COVER, SIDE ROLLER ZINC-PLATED	099441-1	1
11	ROLLER, 80, R80-80-80 (ZABI) SIDE	099429	1

1

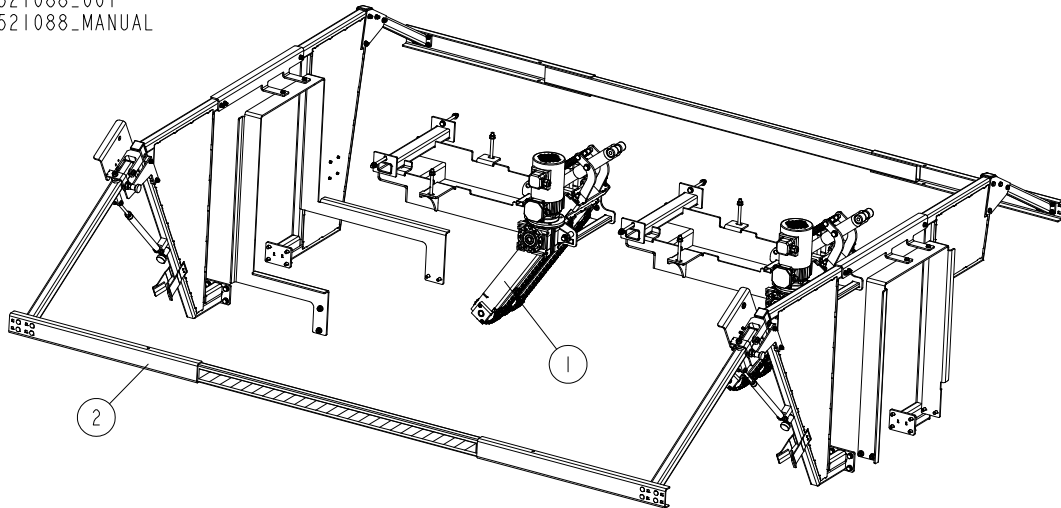
REPLACEMENT PARTS

Feed Chain Drive Assembly, HR700 PRO

REF.	DESCRIPTION (◆ Indicates Parts Available In Assemblies Only)	PART #	QTY	
12	WASHER, 17 SPLIT LOCK ZINC	F81058-1	4	
13	BOLT, M16X160 HEX HEAD ZINC	F81006-20	2	
14	NUT, M16, HEX NYLON ZINC LOCK	F81036-2	2	
	DRIVE, TWO CHAINS, HR700HD - COMPLETE	520474	1	
15	MOTORED. SK9022.1AZBDH-10LH/4 TF F RD ICP, I=31.38, RAL9005.	520475	1	
16	BEARING, UCFL210 W/HOUSING	098824	2	
17	SPROCKET, KZN 800/21 A=80 B=50.	099079	2	
18	SHAFT, DRIVE HR700, ZINC-PLATED	509635-1	1	
19	KEY, A12X8X50, DIN6885 PARALLEL	506735	2	
20	SCREW, M16X60-8.8 HEX SOCKET HEAD CAP	F81006-19	1	
21	WASHER, 16,3 SPLIT LOCK ZINC	F81058-2	3	
22	KEY, A14X9X90 PARALLEL	099424	2	
23	WASHER, 17 SPLIT LOCK ZINC	F81058-1	9	
24	NUT, M16, HEX NYLON ZINC LOCK	F81036-2	4	
25	BOLT, M16X50-8.8-HEX HEAD FULL THREAD ZINC	F81006-7	4	
26	WASHER, 17.5/60-6 ZINC-PLATED	098012-1	1	
27	BOLT, M16X40-8.8-HEX HEAD FULL THREAD ZINC	F81006-13	1	
28	BOLT M16X90-8.8-HEX HEAD ZINC	F81006-17	1	
	PLATE, FEED CHAIN SUPPORT - COMPLETE	509631	1	
29	PLATE, FEED CHAIN SUPPORT	511822-1	1	
30	PAD, FEED TRACK SHORT	099430	4	
31	PAD, FEED TRACK MEDIUM	099376	4	
32	BUSHING, 6.2X10X5, ZINC-PLATED SPACER	503674-1	16	
33	WASHER, 8.4 FLAT ZINC	F81054-1	16	
34	NUT, M8-8-B-HEX NYLON ZINC LOCK	F81032-2	8	
35	BOLT, M8X25-8.8-B HEX HEAD FULL THREAD ZINC	F81002-5	8	
36	WASHER, 6.4 FLAT ZINC	F81053-1	32	
37	NUT, M6-8-B-HEX NYLON ZINC LOCK	F81031-2	32	
38	WASHER, 6.5 SPECIAL FAT ZINC	F81053-11	32	
39	BOLT, M6X20 8.8 HEX HEAD ZINC	F81001-2	32	
40	CLIP, RSGU 1.10/12W1 RETAINING	086861	2	
41	WASHER 5.3 FLAT ZINC	F81052-1	2	
42	NUT, M5-8-DIN985 ZINC	F81030-2	2	
43	SCREW, M5X20 8.8 SOCKET HEAD CAP	F81000-72	2	

1.8 HR700 Hold-Down Arms (Optional)

521088_001
521088_MANUAL

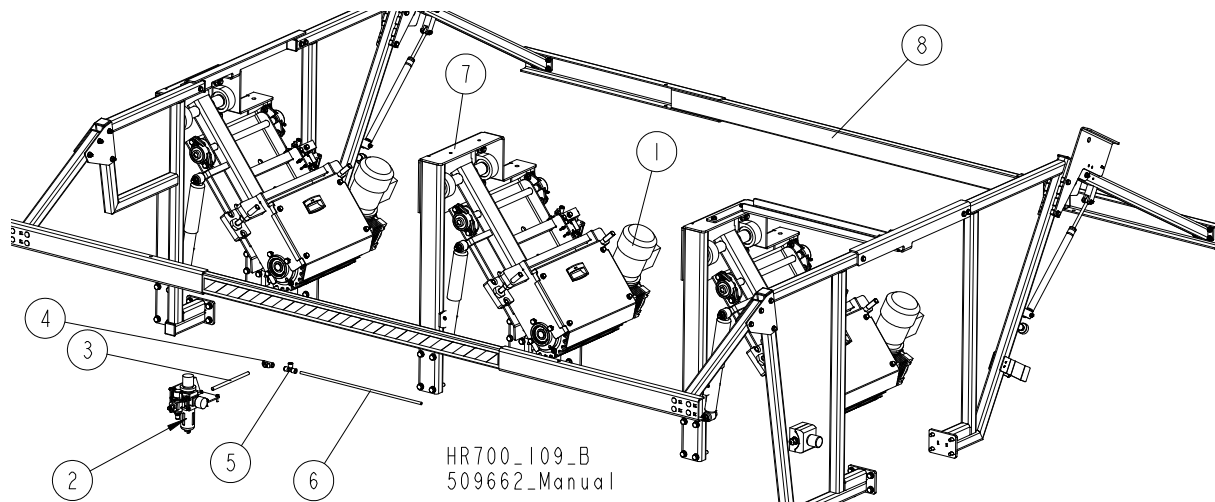


REF.	DESCRIPTION (◆ Indicates Parts Available In Assemblies Only)	PART #	QTY	QTY	QTY	QTY	QTY
	HOLD-DOWN ARM SET, HR700-2	521088					
	HOLD-DOWN ARM SET, HR700-3	521089					
	HOLD-DOWN ARM SET, HR700-4	521090					
	HOLD-DOWN ARM SET, HR700-5	521091					
	HOLD-DOWN ARM SET, HR700-6	521092					
1	ARM ASSEMBLY, HR700 HOLD-DOWN See Section 1.11	520711	2	3	4	5	6
2	FENCE, HR700-1/HR700-2 COMPLETE SIDE See Section 2.2	521100	1	-	-	-	-
	FENCE, HR700-3/HR700-4 COMPLETE SIDE See Section 2.2	521101	-	1	1	-	-
	FENCE, HR700-5/HR700-6 COMPLETE SIDE See Section 2.2	521102	-	-	-	1	1

1 REPLACEMENT PARTS

HR700 Hold-Down Rollers

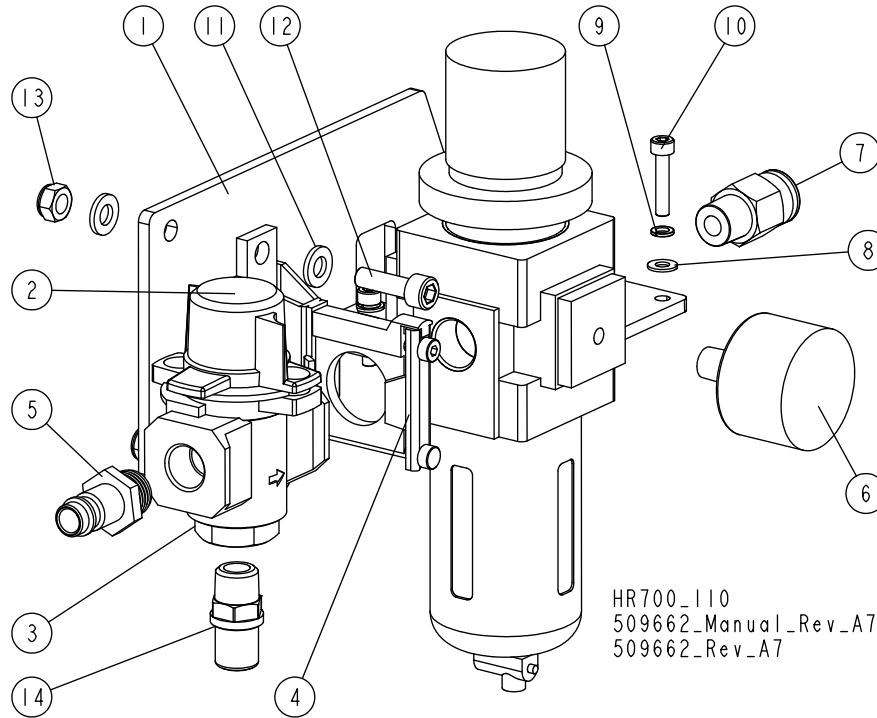
1.9 HR700 Hold-Down Rollers



REF.	DESCRIPTION (◆ Indicates Parts Available In Assemblies Only)	PART #	QTY	QTY	QTY	QTY	QTY	QTY
	HOLD-DOWN ROLLER SET, HR700-1	511836						
	HOLD-DOWN ROLLER SET, HR700-1 - STANDARD	527871						
	HOLD-DOWN ROLLER SET, HR700-2	511837						
	HOLD-DOWN ROLLER SET, HR700-2 - UL VERSION	586258						
	HOLD-DOWN ROLLER SET, HR700-2 - STANDARD	527872						
	HOLD-DOWN ROLLER SET, HR700-3	511838						
	HOLD-DOWN ROLLER SET, HR700-3 - STANDARD	527871						
	HOLD-DOWN ROLLER SET, HR700-4	511839						
	HOLD-DOWN ROLLER SET, HR700-4 - UL VERSION	586259						
	HOLD-DOWN ROLLER SET, HR700-4 - STANDARD	527870						
	HOLD-DOWN ROLLER SET, HR700-5	511840						
	HOLD-DOWN ROLLER SET, HR700-5 - STANDARD	527869						
	HOLD-DOWN ROLLER SET, HR700-6	511841						
	HOLD-DOWN ROLLER SET, HR700-6	527868						
1	ROLLER, HR700 DRIVE - COMPLETE See Section 1.11	511895	2	3	4	5	6	7
2	AIR SUPPLY ASSEMBLY See Section 1.10	511847	1	1	1	1	1	1
3	HOSE, 10MM POLYURETHANE	096308	1	1	1	1	1	1
4	FITTING, TEE (SMC KQ2T08-10A)	514067	0	1	1	1	1	1
5	FITTING, T KQ2T08-00A TEE	090235	0	1	3	4	5	5
6	HOSE, 8MM HR700-1 POLYURETHANE	515351	1	0	0	0	0	0
	HOSE, 8MM HR700-2 POLYURETHANE	515352	0	1	0	0	0	0
	HOSE, 8MM HR700-3 POLYURETHANE	515353	0	0	1	0	0	0
	HOSE, 8MM HR700-4 POLYURETHANE	515354	0	0	0	1	0	0
	HOSE, 8MM HR700-5 POLYURETHANE	515355	0	0	0	0	1	0
	HOSE, 8MM HR700-6 POLYURETHANE	515356	0	0	0	0	0	1
7	BRACKET, HR700 HOLD-DOWN ROLLER MOUNT See Section 1.14	520462	3	3	5	5	7	7
8	FENCE, HR700-1/HR700-2 COMPLETE SIDE See Section 2.1	513633 ¹	1	1	0	0	0	0
	FENCE, HR700-3/HR700-4 COMPLETE SIDE See Section 2.1	513634 ¹	0	0	1	1	0	0
	FENCE, HR700-5/HR700-6 COMPLETE SIDE See Section 2.1	513635 ¹	0	0	0	0	1	1

¹ Not for the standard hold-down roller sets

1.10 Air Supply Assembly

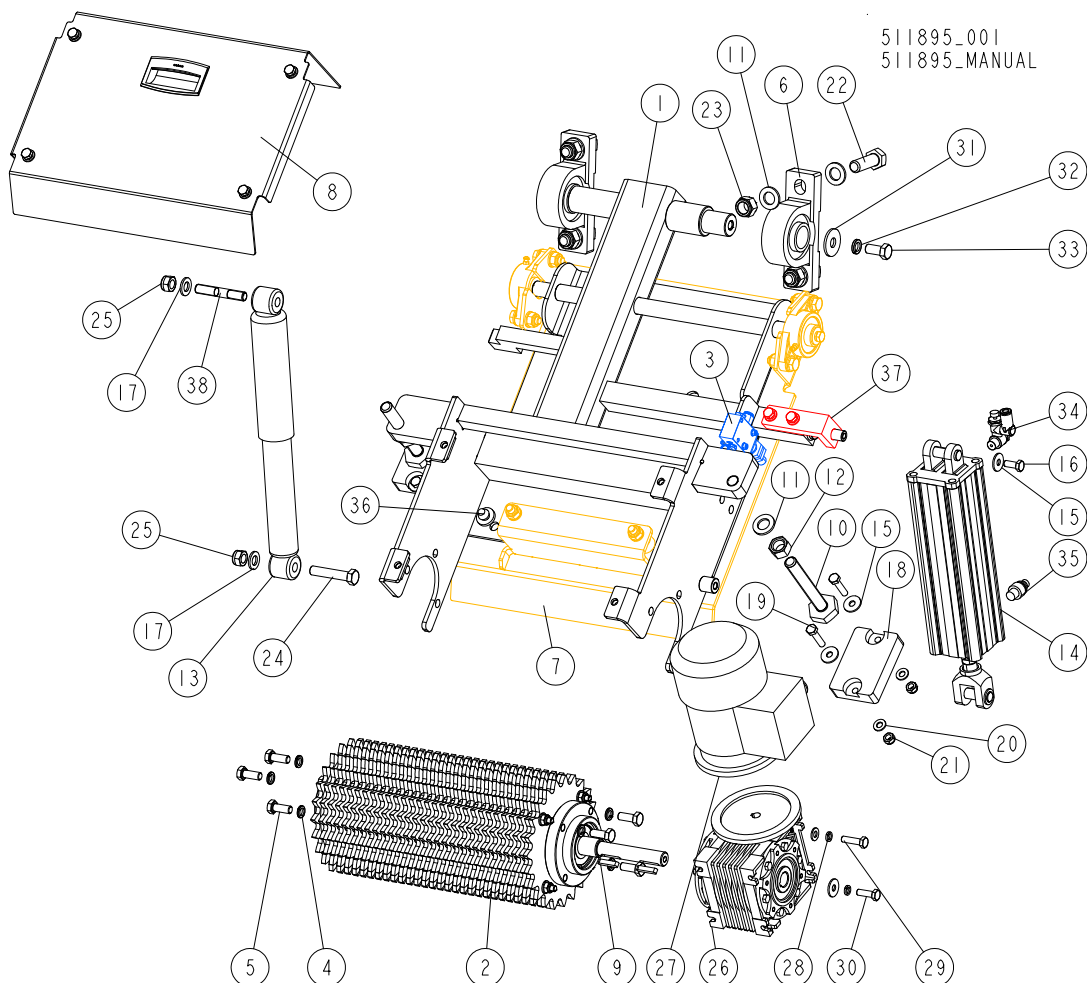


REF.	DESCRIPTION (◆ Indicates Parts Available In Assemblies Only)	PART #	QTY
	AIR SUPPLY ASSEMBLY	511847	1
1	PLATE, MOUNTING	511848-1	1
2	SPACER, Y300T W/BRACKET	510067	1
3	VALVE, VHS30-F02 SHUT-OFF	510068	1
4	REDUCER, AW30-F03H FILTER	510974	1
5	FITTING, GK 1381A GZ 1/4" MALE	510171	1
6	GAUGE, G36-10-01 (1/8") PRESSURE	510069	1
7	FITTING, (SMC KQ2H10-03) STRAIGHT MALE	510984	1
8	WASHER, 4.3 FLAT ZINC	F81051-2	4
9	WASHER, Z 4.1 SPLIT LOCK ZINC	F81051-1	4
10	SCREW, M4X20 8.8 HEX SOCKET HEAD CAP ZINC	F81011-31	4
11	WASHER, 6.4 FLAT ZINC	F81053-1	4
12	SCREW, M6X20 8.8 HEX SOCKET HEAD CAP ZINC	F81001-22	2
13	NUT, M6-8-B HEX NYLON ZINC LOCK	F81031-2	2
14	SILENCER, AN15-02 (1/4")	510073	1

1 REPLACEMENT PARTS

HR700 Drive Roller

1.11 HR700 Drive Roller



REF.	DESCRIPTION (◆ Indicates Parts Available In Assemblies Only)	PART #	QTY
-	ROLLER, HR700 COMPLETE DRIVE	511895	1
1	ARM WELDMENT, DRIVE HOLD-DOWN ROLLER	511890-1	1
2	SHAFT ASSEMBLY, HR700 DRIVE See Section 1.58	511885	1
3	VALVE, VM430-01-05 MECHANICAL - COMPLETE See Section 1.12	511854	1
4	WASHER, Z 10.2 SPLIT LOCK ZINC	F81055-2	6
5	BOLT, M10X25 8.8 HEX HEAD FULL THREAD	F81003-31	6
6	BEARING, UCP206 W/HOUSING	099254	2
7	PLATE, ACTIVATOR - COMPLETE See Section 1.59	511853	1
8	GUARD, DRIVE SHAFT - COMPLETE	511858	1
9	KEY, A6X6X30 PARALLEL	094245	2
10	BOLT, M16 ZINC-PLATED	100426-1	2
11	WASHER, 17 SPLIT LOCK ZINC	F81058-1	10
12	NUT, M16-8 HEX ZINC	F81036-1	2
13	ABSORBER, WERTTEILE 554412 SHOCK	513494	1
14	CYLINDER, 63X200 AIR	508875_	1
15	WASHER, ISO 7093-1-8-200 HV-A2E	F81054-11	6

REPLACEMENT PARTS

HR700 Drive Roller

1

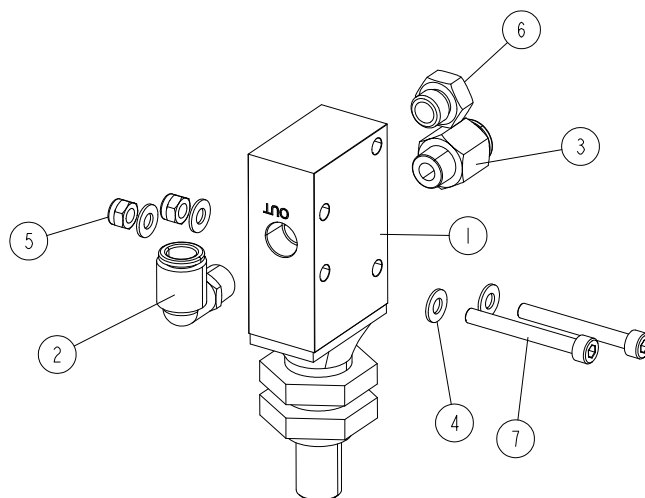
REF.	DESCRIPTION (◆ Indicates Parts Available In Assemblies Only)	PART #	QTY	
16	BOLT, M8X20-8.8 HEX HEAD FULL THREAD ZINC	F81002-1	1	
17	WASHER, 13 FLAT ZINC	F81056-1	2	
18	BUMPER, GRENE 70 3201 0010 RUBBER	094969	2	
19	BOLT, M8X35-8.8 HEX HEAD FULL THREAD ZINC	F81002-13	4	
20	WASHER, 8.4 FLAT ZINC	F81054-1	5	
21	NUT, M8-8-B HEX NYLON ZINC LOCK	F81032-2	4	
22	BOLT, M16X50-8.8 HEX HEAD FULL THREAD ZINC	F81006-7	4	
23	NUT, M16-8 HEX NYLON ZINC LOCK	F81036-2	4	
24	BOLT, M12X60-8.8 HEX HEAD FULL THREAD ZINC	F81004-51	1	
25	NUT, M12-8 HEX NYLON ZINC LOCK	F81034-2	2	
-	MOTOREDUCER, MR40/51/0.12-1400/PS-N1/RR1/V5	511889	1	
26	REDUCER, R-40/51/V5 W/TORQUE ARM	511907	1	
27	MOTOR, SKH 63-4A 0.12 kW, 1400 r.p.m.	511908	1	
28	WASHER, 8.2 SPLIT LOCK ZINC	F81054-4	2	
29	BOLT, M8X30 8.8 HEX HEAD FULL THREAD ZINC	F81002-7	1	
30	BOLT, M8X25-8.8-B HEX HEAD FULL THREAD ZINC	F81002-5	1	
31	WASHER, 13 SPECIAL FLAT ZINC	F81056-14	1	
32	WASHER, Z12.2 SPLIT LOCK ZINC	F81056-2	1	
33	BOLT, M12X25-8.8 HEX HEAD FULL THREAD ZINC	F81004-31	1	
34	VALVE, ASD430F-02-08S THROTTLE NON-RETURN	514357	1	
35	VALVE, ASN2-02-S THROTTLE W/SILENCER	514356	1	
36	FOOT, SR 1591 25.3X12.5 (MOSS 34363) PUSH FIT BUMPER	515250	3	
37	BRACKET, STRENGTHENING - COMPLETE See Section 1.13	525309	1	
38	STUD, 1 M12X50-8.8 PN-90/M-82137 ZINC-PLATED	F81004-103	1	

1 REPLACEMENT PARTS

Mechanical Valve Assembly

1.12 Mechanical Valve Assembly

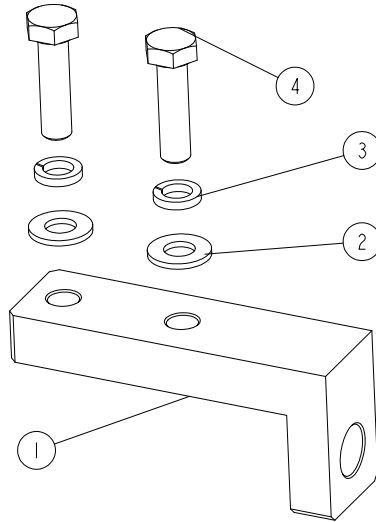
511854_001
511854_MANUAL



REF.	DESCRIPTION (◆ Indicates Parts Available In Assemblies Only)	PART #	QTY
-	VALVE, VM430-01-05 MECHANICAL - COMPLETE	511854	1
1	VALVE, VM430-01-05 MECHANICAL (1/8") (SMC)	515251	1
2	FITTING, KQ2L08-01AS (1/8") MALE ELBOW	511851	1
3	FITTING, KQ2H08-01AS (1/8") STRAIGHT MALE	511850	1
4	WASHER, 4.3 FLAT ZINC	F81051-2	4
5	NUT, M4-8 HEX NYLON ZINC LOCK	F81029-1	2
6	SILENCER, G1/8 AIR	502705	1
7	SCREW, M4X35 8.8 HEX SOCKET HEAD CAP ZINC	F81011-34	2

1.13 Strengthening Bracket

525309_001
 525309_MANUAL



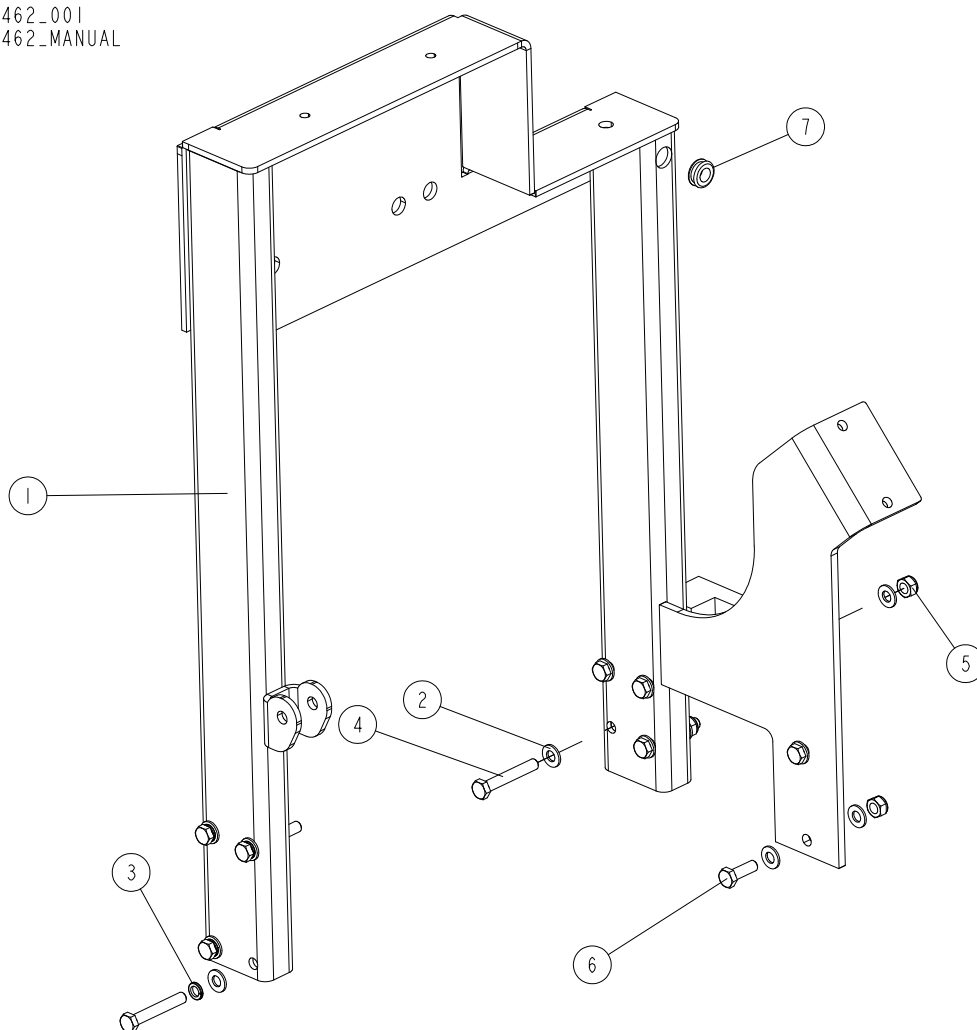
REF.	DESCRIPTION (◆ Indicates Parts Available In Assemblies Only)	PART #	QTY	
-	BRACKET, STRENGTHENING - COMPLETE	525309	1	
1	BRACKET, STRENGTHENING ZINC-PLATED	525310-1	1	
2	WASHER, 8.4 FLAT ZINC	F81054-1	2	
3	WASHER, 8.2 SPLIT LOCK ZINC	F81054-4	2	
4	BOLT, M8X30 8.8 HEX HEAD FULL THREAD ZINC	F81002-7	2	

1 REPLACEMENT PARTS

Hold-Down Roller Mount Bracket

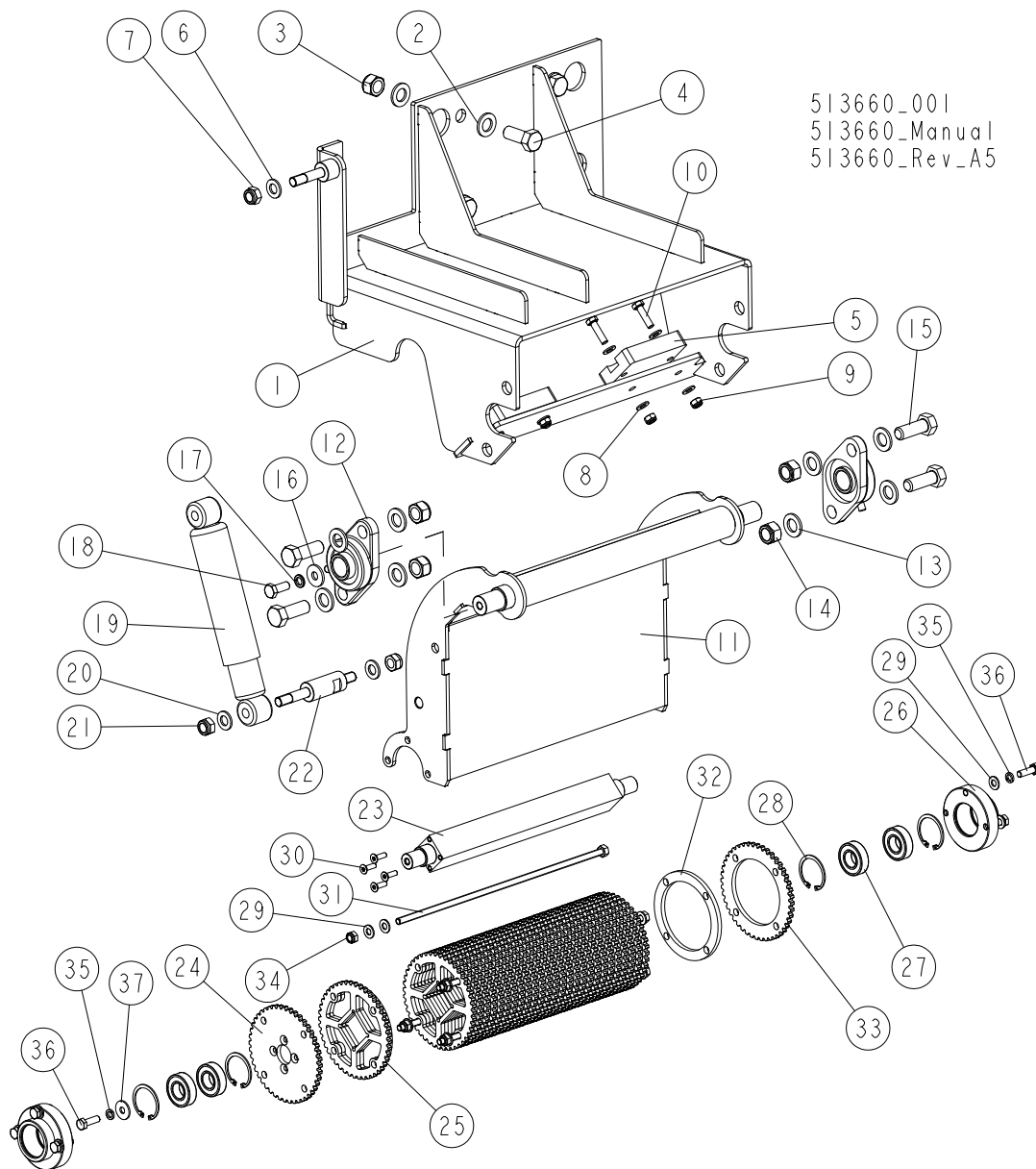
1.14 Hold-Down Roller Mount Bracket

520462_001
520462_MANUAL



REF.	DESCRIPTION (◆ Indicates Parts Available In Assemblies Only)	PART #	QTY
-	BRACKET, HR700 HOLD-DOWN ROLLER MOUNT - COMPLETE	520462	1
1	BRACKET, HR700 HOLD-DOWN ROLLER MOUNT	520461-1	1
2	WASHER, 10.5 FLAT ZINC	F81055-1	18
3	WASHER, Z 10.2 SPLIT LOCK ZINC	F81055-2	4
4	BOLT, M10X65-8.8 HEX HEAD ZINC	F81003-67	8
5	NUT, M10-8-B HEX NYLON ZINC LOCK	F81033-1	7
6	BOLT, M10X30-8.8 HEX HEAD FULL THREAD ZINC	F81003-2	3
7	GROMMET, 20/13 RUBBER	086188	1

1.15 Hold-Down Roller, 126 (Optional)



REF.	DESCRIPTION (◆ Indicates Parts Available In Assemblies Only)	PART #	QTY
	ROLLER, N126 HR700 ADDITIONAL HOLD-DOWN - COMPLETE	513660	1
	MOUNT WELDMENT, ADDITIONAL HOLD-DOWN ROLLER - COMPLETE	513663	1
1	MOUNT WELDMENT, ADDITIONAL HOLD-DOWN ROLLER	513651-1	1
2	WASHER, 17 SPLIT LOCK ZINC	F81058-1	8
3	NUT, M16-8 HEX NYLON ZINC LOCK	F81036-2	4
4	BOLT, M16X40-8.8 HEX HEAD FULL THREAD ZINC	F81006-13	4
5	BUMPER, GRENE 70 3201 0010 RUBBER	094969	2
6	WASHER, 13 FLAT ZINC	F81056-1	1
7	NUT, M12-8 HEX NYLON ZINC LOCK	F81034-2	1

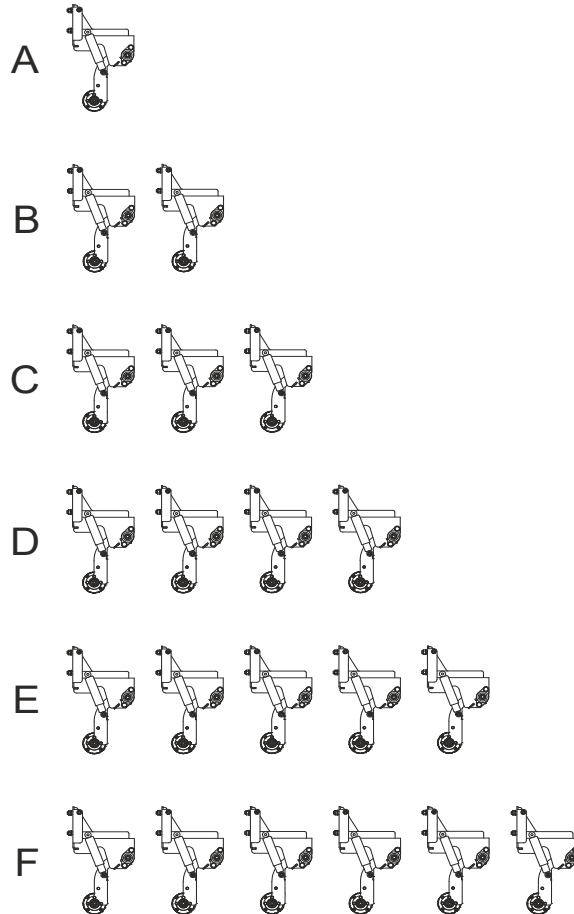
1

REPLACEMENT PARTS

Hold-Down Roller, 126 (Optional)

REF.	DESCRIPTION (◆ Indicates Parts Available In Assemblies Only)	PART #	QTY
8	WASHER, 8.4 FLAT ZINC	F81054-1	8
9	NUT, M8-8-B HEX NYLON ZINC LOCK	F81032-2	4
10	BOLT, M8X30 8.8 HEX HEAD FULL THREAD ZINC	F81002-7	4
	ARM, ADDITIONAL HOLD-DOWN ROLLER - COMPLETE	513662	1
11	ARM, ADDITIONAL HOLD-DOWN ROLLER	513661-1	1
12	BEARING, UCFL205 W/HOUSING (COMPLEX)	089124	2
13	WASHER, 17 SPLIT LOCK ZINC	F81058-1	8
14	NUT, M16-8 HEX NYLON ZINC LOCK	F81036-2	4
15	BOLT, M16X45-8.8 HEX HEAD FULL THREAD ZINC	F81006-46	4
16	WASHER, 10.5 SPECIAL FLAT ZINC	F81055-6	1
17	WASHER, Z10.2 SPLIT LOCK ZINC	F81055-2	1
18	BOLT, M10X25 8.8 HEX HEAD FULL THREAD ZINC	F81003-11	1
19	ABSORBER, WERTTEILE 554412 SHOCK	513494	1
20	WASHER, 13 FLAT ZINC	F81056-1	2
21	NUT, M12-8 HEX NYLON ZINC LOCK	F81034-2	2
22	PIN, SHOCK ABSORBER MOUNT ZINC-PLATED	513657-1	1
	ROLLER, N126 HOLD-DOWN - COMPLETE	513650	1
23	SHAFT, ADDITIONAL HOLD-DOWN ROLLER ZINC-PLATED	513649-1	1
24	WHEEL, N126 TOOTHED ZINC-PLATED LOCKING	513664-1	2
25	WHEEL, TOOTHED INSIDE - COMPLETE	514223	26
	HOUSING W/BEARINGS, 6004 2RS - COMPLETE	514225	2
26	HOUSING, 6004 2RS BEARING ZINC-PLATED	514226-1	1
27	BEARING, 6004 2RS CX ROLLING	093868	2
28	RING, SEG W042 INSIDE RETAINING	F81090-19	2
29	WASHER, 8.4 FLAT ZINC	F81054-1	14
30	SCREW, M6X20-10.9 FE/ZN5 DIN7991 FLAT SOCKET HEAD CAP	F81001-17	8
31	PIN, M8X360 ZINC-PLATED	511905-1	4
32	RING, OUTSIDE ZINC-PLATED SPACER	513666-1	1
33	RING, TOOTHED ZINC-PLATED LOCKING	514224-1	1
34	NUT, M8-8-B HEX NYLON ZINC LOCK	F81032-2	4
35	WASHER, 8.2 SPLIT LOCK ZINC	F81054-4	7
36	BOLT, M8X25-8.8-B HEX HEAD FULL THREAD ZINC	F81002-5	7
37	WASHER, ISO 7093-1-8-200 HV-A2E	F81054-11	1

1.16 Roller Kits, HR700 1-6 Additional Hold-Down

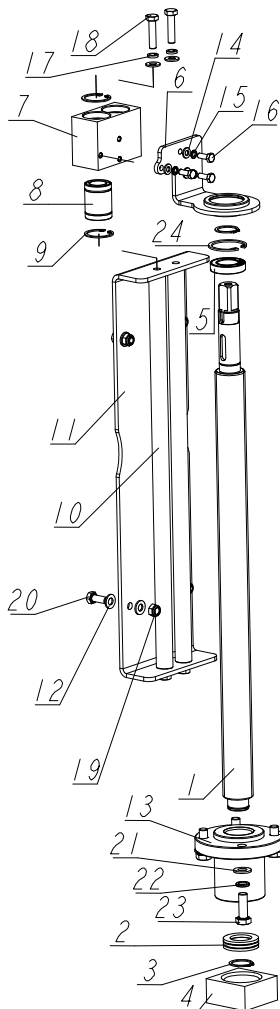


REF.	DESCRIPTION (◆ Indicates Parts Available In Assemblies Only)	PART #	QTY
A	ROLLER, HR700-1 ADDITIONAL HOLD-DOWN	513660	1
B	ROLLER KIT, HR700-2 ADDITIONAL HOLD-DOWN	514360	1
	ROLLER, HOLD-DOWN	513660	2
C	ROLLER KIT, HR700-3 ADDITIONAL HOLD-DOWN	514361	1
	ROLLER, HOLD-DOWN	513660	3
D	ROLLER KIT, HR700-4 ADDITIONAL HOLD-DOWN	514362	1
	ROLLER, HOLD-DOWN	513660	4
E	ROLLER KIT, HR700-5 ADDITIONAL HOLD-DOWN	514363	1
	ROLLER, HOLD-DOWN	513660	5
F	ROLLER KIT, HR700-6 ADDITIONAL HOLD-DOWN	514364	1
	ROLLER, HOLD-DOWN	513660	6

1 REPLACEMENT PARTS

Up/Down System, HR700

1.17 Up/Down System, HR700



HR700_108_A
509666_Manual_Parts
509666_Rev_A10

REF.	DESCRIPTION (◆ Indicates Parts Available In Assemblies Only)	PART #	QTY	
	SAW HEAD HEIGHT ADJUSTMENT KIT - 1-HEAD	511823	1 / 0 / 0 / 0 / 0 / 0	
	SAW HEAD HEIGHT ADJUSTMENT KIT - 2-HEAD	511824	0 / 1 / 0 / 0 / 0 / 0	
	SAW HEAD HEIGHT ADJUSTMENT KIT - 3-HEAD	511825	0 / 0 / 1 / 0 / 0 / 0	
	SAW HEAD HEIGHT ADJUSTMENT KIT - 4-HEAD	511826	0 / 0 / 0 / 1 / 0 / 0	
	SAW HEAD HEIGHT ADJUSTMENT KIT - 5-HEAD	511827	0 / 0 / 0 / 0 / 1 / 0	
	SAW HEAD HEIGHT ADJUSTMENT KIT - 6-HEAD	511828	0 / 0 / 0 / 0 / 0 / 1	
	SAW HEAD HEIGHT ADJUSTMENT ASSEMBLY, SHS/HR700 - MANUAL	506778	1 / 2 / 3 / 4 / 5 / 6	
	RATCHET, 3/4" 645300 HEYCO PUSH-THROUGH	507312	1	

REPLACEMENT PARTS

Up/Down System, HR700

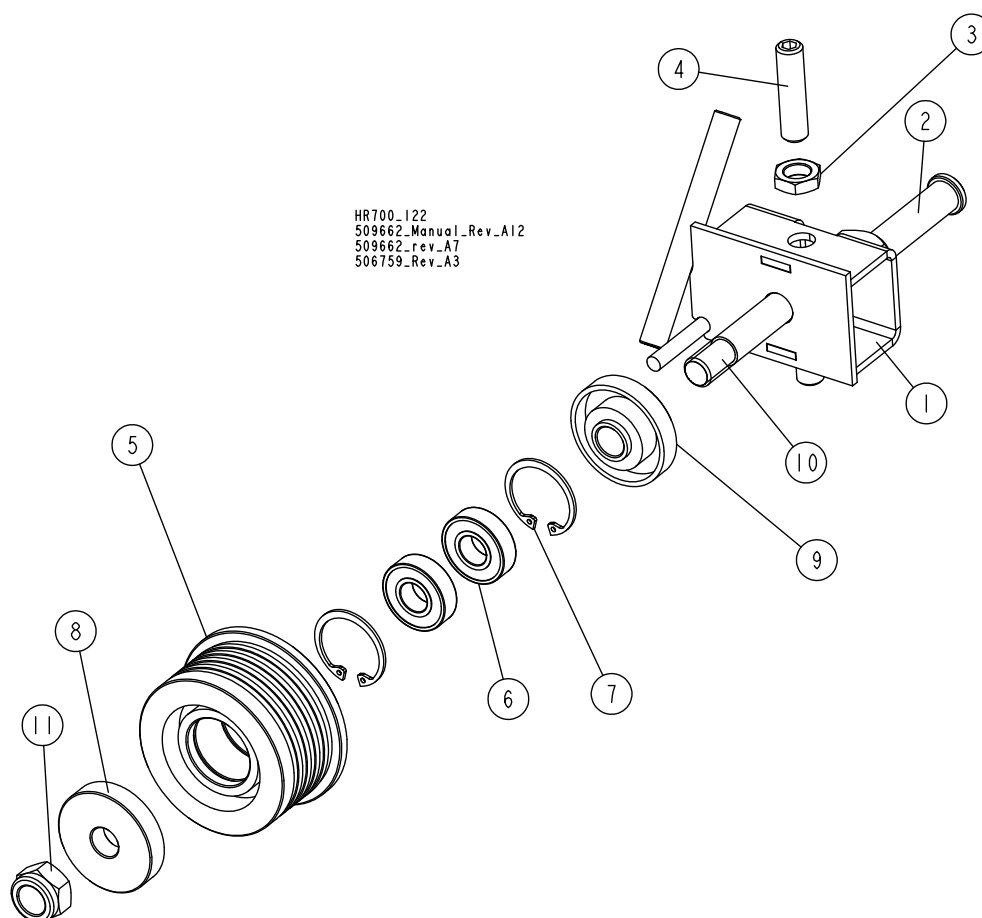
1

REF.	DESCRIPTION (◆ Indicates Parts Available In Assemblies Only)	PART #	QTY.	
	SAW HEAD HEIGHT ADJUSTMENT ASSEMBLY, SHS/HR700 - MANUAL	506778	1	
1	SCREW, TR36X3 ACME ZINC-PLATED	506779-1	1	
2	BEARING, 51105 THRUST	088033	1	
3	RING, 25Z OUTSIDE RETAINING	F81090-22	2	
4	BLOCK, ACME SCREW ZINC-PLATED MOUNT	093265-1	1	
5	BEARING, 61905 2RS (COMPLEX)	099037	1	
6	BRACKET, ZINC-PLATED RETAINING	507309-1	1	
	BLOCK, LASER MOUNT - COMPLETE	504010	1	
7	BLOCK, LM 20 UU LINEAR BEARING HOUSING ZINC-PL.	504011-1	1	
8	BEARING, LM 20 UU LINEAR MOTION	504012	2	
9	RING, 32W INSIDE RETAINING	F81090-5	4	
10	ROD, LASER GUIDE (CHROMIUM-PLATED)	504359	2	
11	BRACKET, GUIDE ROD MOUNT	507308-1	1	
12	WASHER, 8.4 FLAT ZINC	F81054-1	12	
13	NUT, TR36X3 ACME SCREW	506780	1	
14	WASHER, 6.4 FLAT ZINC	F81053-1	3	
15	WASHER, Z 6.1 SPLIT LOCK ZINC	F81053-3	3	
16	BOLT, M6X16 8.8 HEX HEAD FULL THREAD ZINC	F81001-32	3	
17	WASHER, 8.2 SPLIT LOCK ZINC	F81054-4	4	
18	BOLT, M8X35-8.8 HEX HEAD FULL THREAD ZINC	F81002-13	4	
19	NUT, M8 8 HEX NYLON ZINC LOCK	F81032-2	4	
20	BOLT, M8X20 8.8 HEX HEAD FULL THREAD ZINC	F81002-4	4	
21	WASHER, 10.5 FLAT ZINC	F81055-1	4	
22	WASHER, Z10.2 SPLIT LOCK ZINC	F81055-2	4	
23	BOLT, M10X30 5.8 HEX HEAD FULL THREAD ZINC	F81003-2	4	
24	RING, SEG W042 RETAINING	F81090-19	1	

1 REPLACEMENT PARTS

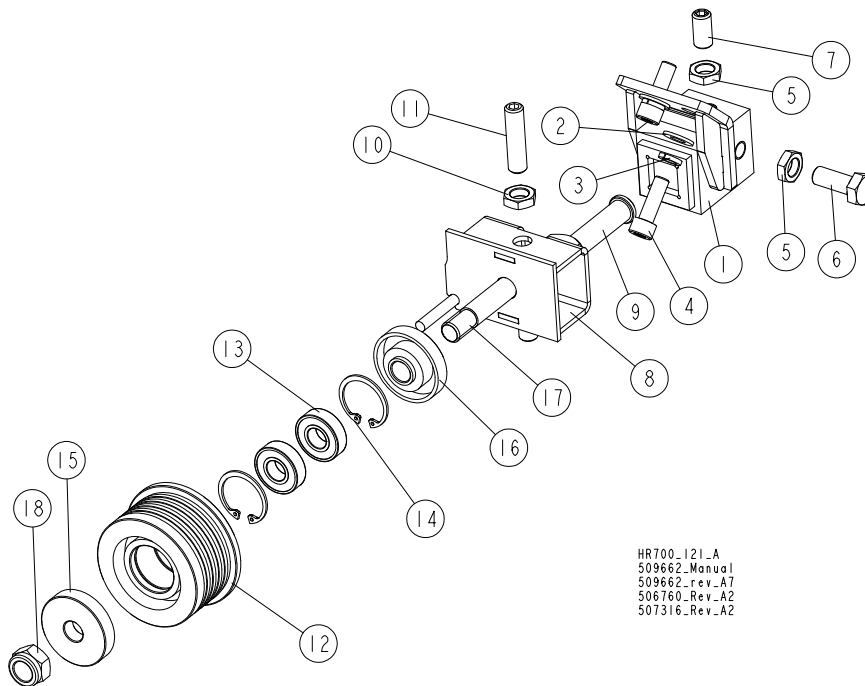
Blade Guide Assembly, Idle Side

1.18 Blade Guide Assembly, Idle Side



REF.	DESCRIPTION (◆ Indicates Parts Available In Assemblies Only)	PART #	QTY
	BLADE GUIDE W/EXTENDED ROLLER - IDLE SIDE	506759	1
1	BRACKET WELDMENT, IS BLADE GUIDE ZINC-PLATED	500497-1	1
2	SHAFT, BLADE GUIDE MOUNT ZINC-PLATED	088255-1	1
3	NUT, M10X1-04-ST-A2E ISO8675 THIN	F81033-10	2
4	SCREW, M10X1X40 DIN913 A2-70 STAINLESS STEEL SET	F81015-2	2
	ROLLER ASSEMBLY, BLADE GUIDE W/BEARINGS	500561	1
5	ROLLER, EXTENDED BLADE GUIDE	500560	1
6	BEARING, 6001 2RSR (FAG, SKF)	087893	2
7	RING, W28 WG INSIDE RETAINING	F81090-9	2
8	RING, ZINC-PLATED SPACER	087891-1	1
9	RING, ZINC-PLATED SPACER (EXTENDED BLADE GUIDE ROLLER)	087892-1	1
10	SHAFT, EXTENDED ROLLER ZINC-PLATED	087762-1	1
11	NUT, M12-8 HEX NYLON ZINC LOCK	F81034-2	1

1.19 Blade Guide Assembly, Drive Side



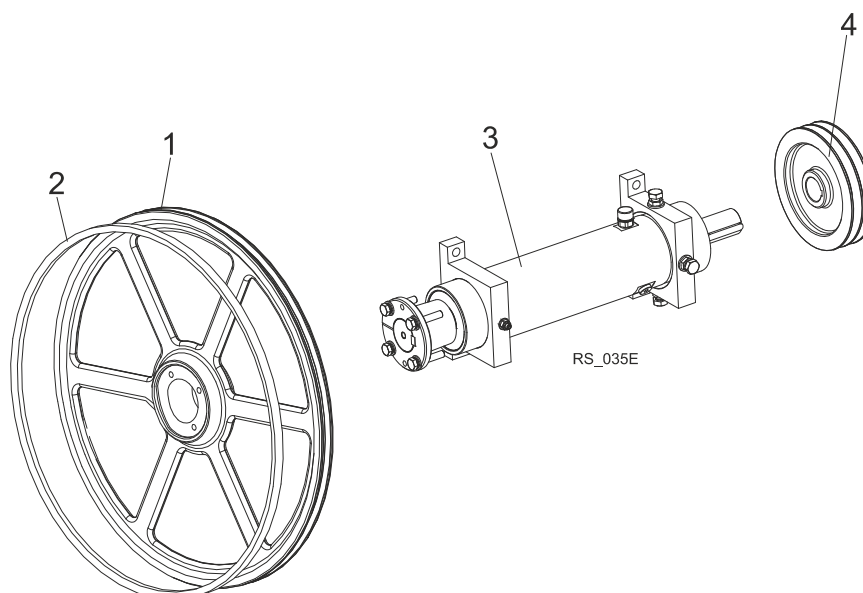
HR700_121_A
509662_Manual
509662_rev_A7
506760_Rev_A2
507316_Rev_A2

REF.	DESCRIPTION (◆ Indicates Parts Available In Assemblies Only)	PART #	QTY
	BLOCK, BLADE GUIDE MOUNT - COMPLETE	507316	1
1	BLOCK WELDMENT, BLADE GUIDE MOUNT	514887-1	1
2	WASHER, 8.4 FLAT,ZINC	F81054-1	2
3	WASHER, 8.2 SPLIT LOCK ZINC	F81054-4	2
4	SCREW,M8x25-8.8 HEX SOCKET HEAD CAP ZINC	F81002-21	2
5	NUT, M10X1-04-ST-A2E ISO8675 THIN	F81033-10	4
6	BOLT, M10X1X25 DIN 933 STAINLESS STEEL	F81003-28	1
7	SCREW, M10X1X20 DIN 913 STAINLESS STEEL SET	F81015-1	3
	BLADE GUIDE W/EXTENDED ROLLER - DRIVE SIDE	506760	1
8	BRACKET WELDMENT, DRIVE SIDE BLADE GUIDE ROLLER	500498-1	1
9	SHAFT, BLADE GUIDE MOUNT ZINC-PLATED	088255-1	1
10	NUT, M10X1-04-ST-A2E ISO8675 THIN	F81033-10	2
11	SCREW, M10X1X40 DIN913 A2-70 STAINLESS STEEL SET	F81015-2	2
	ROLLER ASSEMBLY, BLADE GUIDE W/BEARINGS	500561	1
12	ROLLER, EXTENDED BLADE GUIDE	500560	1
13	BEARING, 6001 2RSR (FAG, SKF)	087893	2
14	RING, W28 INSIDE RETAINING	F81090-9	2
15	RING, ZINC-PLATED SPACER	087891-1	1
16	RING, ZINC-PLATED SPACER (EXTENDED BLADE GUIDE ROLLER)	087892-1	1
17	SHAFT, EXTENDED ROLLER ZINC-PLATED	087762-1	1
18	NUT, M12-8 HEX NYLON ZINC LOCK	F81034-2	1

1

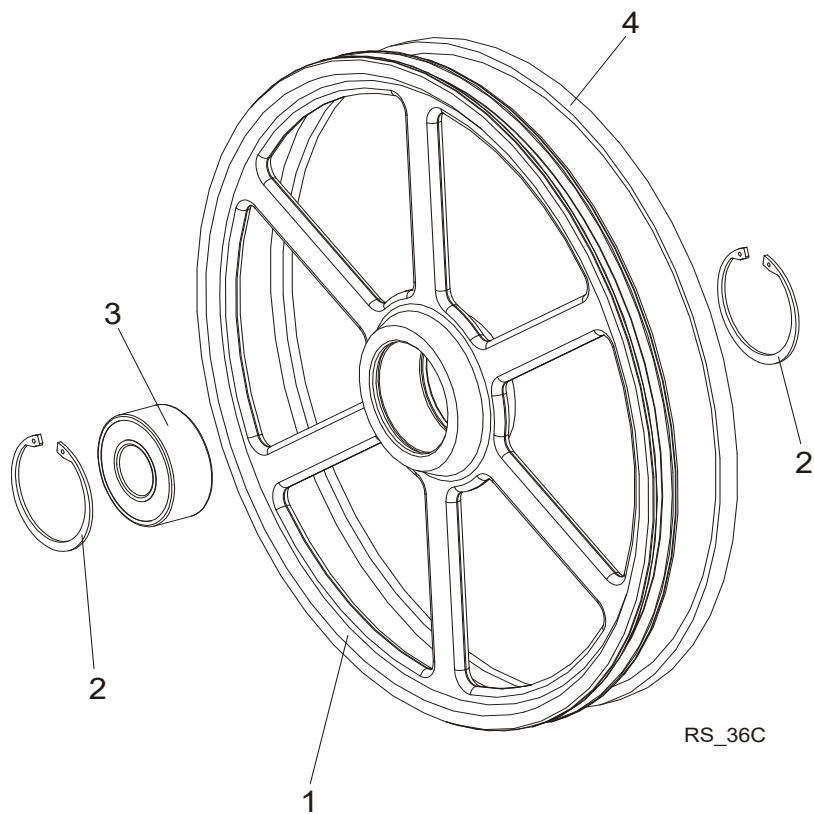
REPLACEMENT PARTS Blade Wheel Assembly, Drive Side

1.20 Blade Wheel Assembly, Drive Side



REF.	DESCRIPTION (◆ Indicates Parts Available In Assemblies Only)	PART #	QTY
1	WHEEL, DRIVE SIDE BLADE	500100-1	1
2	BELT, B72.5 BLADE WHEEL	017922-1	1
3	SHAFT, HR500/HR700 RESAW PL DRIVE See Section 1.22	525300	1
4	PULLEY, SPB $\Phi 224 \times 2 / \Phi 38$ (F02312+T31124)	500177	1
	PULLEY, SPB $\Phi 190 \times 2 / \Phi 38$ (F02347+T31124)	500569	1

1.21 Blade Wheel Assembly, Idle Side

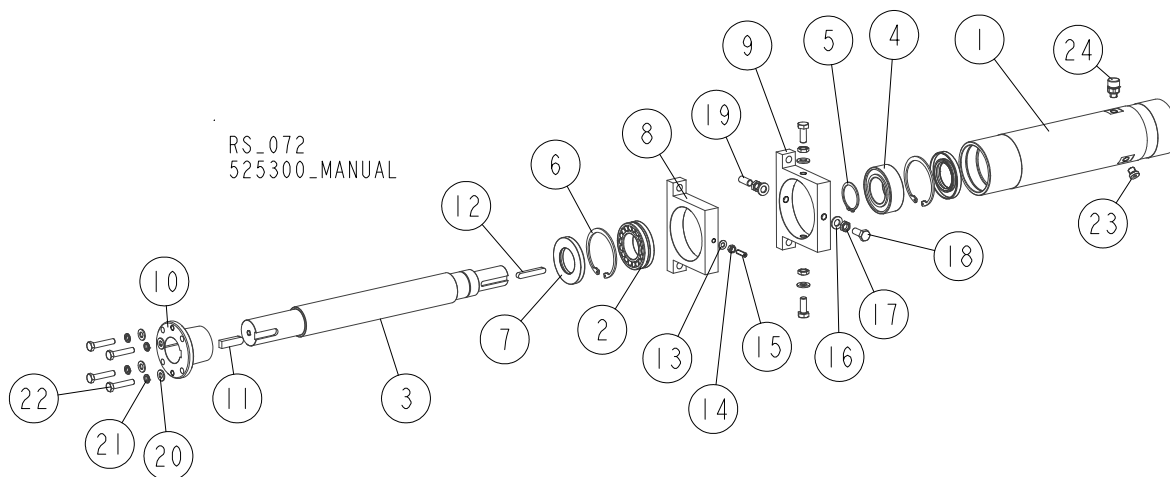


REF.	DESCRIPTION (◆ Indicates Parts Available In Assemblies Only)	PART #	QTY
	WHEEL, IDLE SIDE BLADE - COMPLETE	088764	1
1	Wheel, Idle Side Blade	090810	1
2	Ring, W100 Inside Retaining	F81090-10	2
3	Bearing, 3309B.2RSR.TVH FAG	086428	1
4	V-BELT, B72.5	017922-1	1

1 REPLACEMENT PARTS

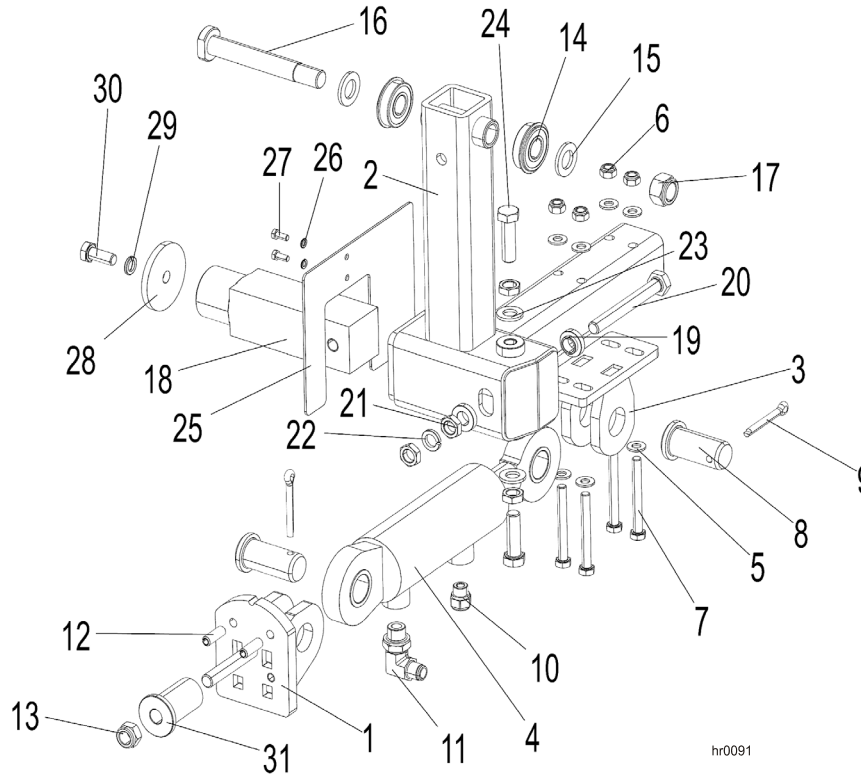
Drive Shaft, HR500/HR700

1.22 Drive Shaft, HR500/HR700



REF.	DESCRIPTION (◆ Indicates Parts Available In Assemblies Only)	PART #	QTY
-	SHAFT, HR500/HR700 RESAW DRIVE	525300	1
1	BUSHING, DRIVE SHAFT ZINC-PLATED	525301-1	1
2	BEARING, 22210 E1 50X90X23 SPHERICAL ROLLER	520509	1
3	SHAFT, HR500/HR700 RESAW PL DRIVE	525302	1
4	BEARING, 3210A (SKF, FAG) ANGULAR CONTACT BALL	525280	1
5	RING, Z50 OUTSIDE RETAINING	F81090-28	1
6	RING, W90 INSIDE RETAINING	F81090-29	2
7	RING, AO50X90X10 SEALING	525279	2
8	BRACKET, DRIVE SHAFT ADJUSTMENT ZINC-PLATED	093255-1	1
9	BRACKET, DRIVE SHAFT BUSHING MOUNT ZINC-PLATED	094535-1	1
10	BUSHING, N50X109X70 SPLIT TAPER	521125	1
11	KEY, AB 14X9X50 PARALLEL	093266	1
12	KEY, A10X8X63 PARALLEL	088130	1
13	WASHER, 8.4 FLAT ZINC	F81054-1	1
14	NUT, M8-8-B HEX NYLON ZINC LOCK	F81032-2	1
15	SCREW, M8X25 DIN 913 A2-70 STAINLESS STEEL SET	F81014-3	1
16	WASHER, 13 FLAT ZINC	F81056-1	4
17	NUT, M12X1.25 DIN 439 A2-70 STAINLESS STEEL THIN	F81034-9	4
18	BOLT, M12X1.25X30 DIN933 A2-70 STAINLESS STEEL	F81004-44	3
19	SCREW, M12X1.25X30 DIN913 A2-70 SET	F81016-1	1
20	WASHER, 10.5 FLAT ZINC	F81055-1	4
21	WASHER, Z 10.2 SPLIT LOCK ZINC	F81055-2	4
22	BOLT, M10X50-8.8 HEX HEAD FULL THREAD ZINC	F81003-4	4
23	PLUG, GN 749-G1/4-A (ELESA+GANTER) THREADED	525282	1
24	PLUG, GN 882-G1/4-MS-M (ELESA+GANTER) BREATHER	525281	1

1.23 Hydraulic Blade Tensioner Assembly

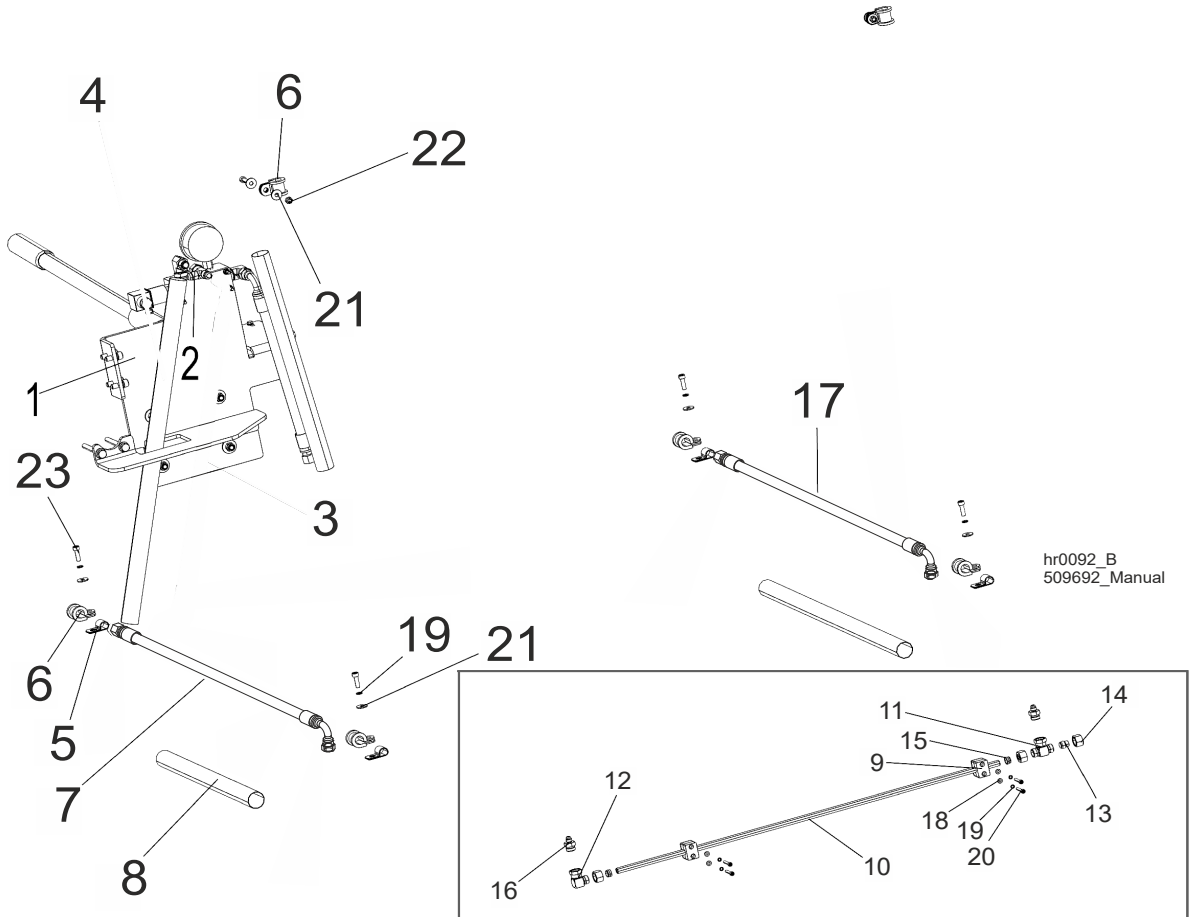


REF.	DESCRIPTION (◆ Indicates Parts Available In Assemblies Only)	PART #	QTY
	HR/SHS HYDRAULIC BLADE TENSIONER - COMPLETE	506750	1
1	BRACKET, PISTON CYLINDER MOUNT	506751-1	1
2	ARM WELDMENT, TVS IDLE BLADE WHEEL (RIGHT-SIDE SAW HEAD)	504817-1	1
3	BRACKET, PISTON CYLINDER UPPER MOUNT	504819-1	1
4	CYLINDER, SJ2F-16-50/28/70 PISTON	504812	1
5	WASHER, 8.4 FLAT ZINC	F81054-1	8
6	NUT, M8 8 HEX NYLON ZINC LOCK	F81032-2	4
7	BOLT, M8x70-8.8 HEX HEAD ZINC	F81002-71	4
8	PIN	504824-1	2
9	PIN, S-Zn-6.3x45 COTTER	F81045-2	2
10	SILENCER, TYPE 2901-14-17	090794	1
11	FITTING, 90° - 3/8 BSP - 9/16 JIC ELBOW	096335	1
12	PIN, 8x26 ZINC ROLL	F81046-4	2
13	NUT, M12 8 HEX NYLON ZINC LOCK	F81034-2	1
14	BEARING, 6203-2RS NR. W/SNAP RING	086395	2
15	WASHER, 17 SPLIT LOCK ZINC	F81058-1	2
16	BOLT, ARM BEARING MOUNT	086404	1
17	NUT, M16-8 HEX NYLON ZINC LOCK	F81036-2	1
18	SHAFT, IDLE-SIDE BLADE WHEEL	088474	1
19	WASHER, FLANGED ZINC-PLATED	086769-1	2
20	BOLT, M12x1.25x100-8.8 HEX HEAD FULL THREAD ZINC	F81004-41	1

1**REPLACEMENT PARTS***Hydraulic Blade Tensioner Assembly*

21	NUT, M12X1.25-8 ZINC THIN	F81034-5	4	
22	WASHER, Z12.2 SPLIT LOCK ZINC	F81056-2	1	
23	WASHER, 13 FLAT ZINC	F81056-1	2	
24	BOLT, M12x1.25x40-8.8 HEX HEAD FULL THREAD ZINC	F81004-42	2	
25	GUARD, IDLE BLADE WHEEL ARM	088442-1	1	
26	WASHER, 5.1 SPLIT LOCK	F81052-2	2	
27	BOLT, M5X12 5.8 HEX HEAD FULL THREAD ZINC	F81000-5	2	
28	WASHER, IDLE BLADE WHEEL RETAINING	088957-1	1	
29	WASHER, Z 10.2 SPLIT LOCK ZINC	F81055-2	1	
30	BOLT, M10X25 8.8 HEX HEAD FULL THREAD	F81003-31	1	
31	BUSHING, 28.5 TO 13 ZINC-PLATED REDUCER	508708-1	1	

1.24 Hydraulic Blade Tensioner



REF.	DESCRIPTION (◆ Indicates Parts Available In Assemblies Only)	PART #	QTY
	HYDRAULIC BLADE TENSIONER FOR HR700-1 - COMPLETE	511863	1
	HYDRAULIC PUMP ASSEMBLY, SHS/HR500/HR700	506733	1
	HOSE, PHD 2T3/8x0.43 90W9/16UNF-90W9/16UNF HYDRAULIC	506737	1
	GUARD, OBLIQUE HOSE	508714	1
	HYDRAULIC BLADE TENSIONER FOR HR700-2 - COMPLETE	511864	1
1	HYDRAULIC PUMP ASSEMBLY, SHS/HR500/HR700	506733 ¹	1
2	FITTING, BBA UNF 9/16" TEE W/NUT	509687	1
3	HOSE, PHD 2T3/8x0.43 90W9/16UNF-90W9/16UNF HYDRAULIC	506737	1
4	GUARD, OBLIQUE HOSE	508714	2
5	CLAMP, 1/2" EMT COATED	P07584	4
6	CLAMP, RSGU 1.15/20 METAL & RUBBER	509701	6
7	HOSE, PHD 2T3/8x2.85 90W9/16UNF-W9/16UNF HYDRAULIC	509718	1
8	GUARD, VERTICAL HOSE	508713	1
9	BLOCK, DN15 APP-L-15 PIPE BRACKET	509720	2
10	PIPE, L=1050	509699	1
11	FITTING, XEVT 15 L 22x1.5 TEE W/NUT	509688	1
12	FITTING, XEWW 15 L 22x1.5 ELBOW W/NUT	509689	1

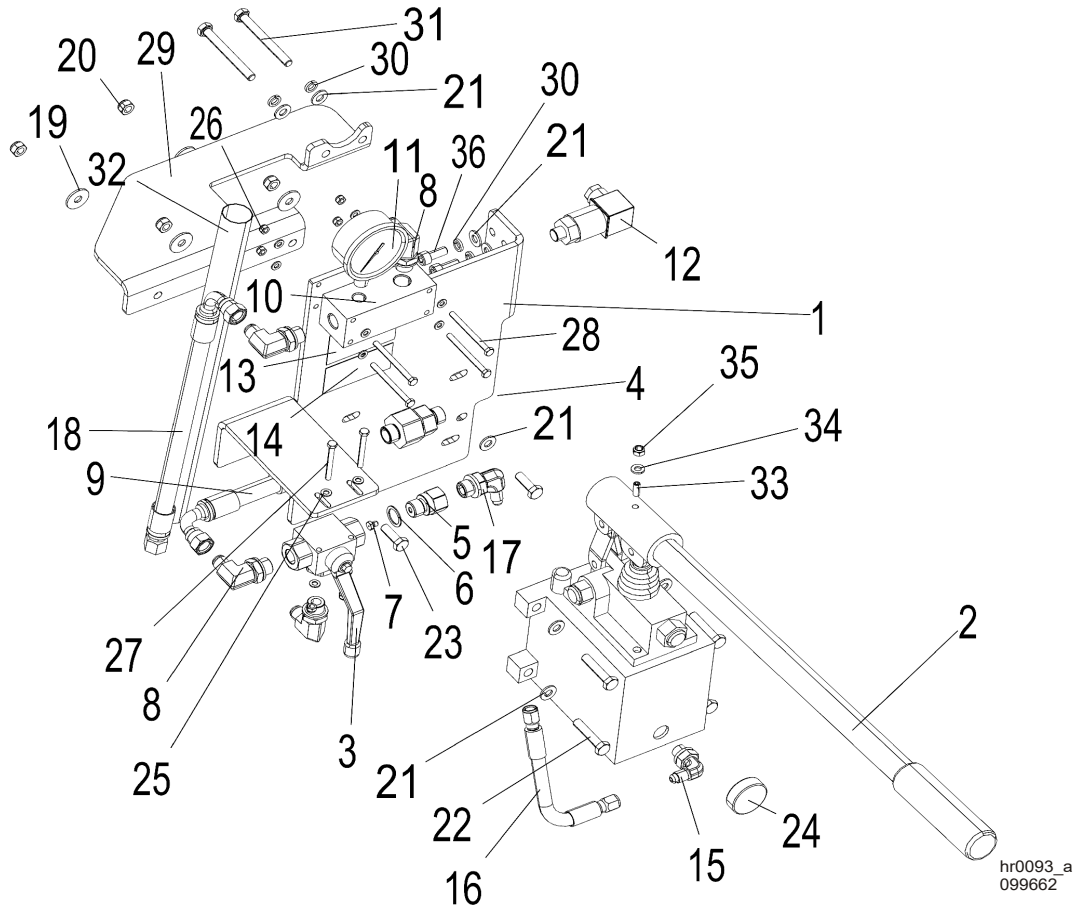
1 REPLACEMENT PARTS

Hydraulic Blade Tensioner

13	CAP, DKL 22x1.5 15 L.	509698	1	
14	NUT, M 15 L M22x1.5	509690	3	
15	SLEEVE, DPR 15 L. PIPE CLINCH	509697	2	
16	FITTING, 9/16"-18 UNF - M22x1.5 ZINC-PLATED REDUCER	510446-1	2	
17	HOSE, PHD 2T3/8x3 90W9/16UNF-W9/16UNF HYDRAULIC	509719	1	
18	WASHER, 6.4 FLAT ZINC	F81053-1	4	
19	WASHER, Z 6.1 SPLIT LOCK	F81053-3	8	
20	SCREW, M6x35 8.8 HEX SOCKET HEAD CAP ZINC	F81001-23	4	
21	WASHER, 6.5 SPECIAL FLAT ZINC	F81053-11	8	
22	NUT, M6-8-B HEX NYLON ZINC LOCK	F81031-2	2	
23	SCREW, M6x20 8.8 HEX SOCKET HEAD CAP ZINC	F81001-22	6	
	HYDRAULIC BLADE TENSIONER FOR HR700-3 - COMPLETE	511865	1	
	HYDRAULIC BLADE TENSIONER FOR HR500-1 - COMPLETE	509691	1	
	HYDRAULIC BLADE TENSIONER FOR HR500-2 - COMPLETE	509692	1	
	HYDRAULIC BLADE TENSIONER FOR HR700-4 - COMPLETE	511866	1	
	HYDRAULIC BLADE TENSIONER FOR HR500-2 - COMPLETE	509692	2	
	HYDRAULIC BLADE TENSIONER FOR HR700-5 - COMPLETE	511867	1	
	HYDRAULIC BLADE TENSIONER FOR HR500-1 - COMPLETE	509691	1	
	HYDRAULIC BLADE TENSIONER FOR HR500-2 - COMPLETE	509692	2	
	HYDRAULIC BLADE TENSIONER FOR HR700-6 - COMPLETE	511868	1	
	HYDRAULIC BLADE TENSIONER FOR HR500-2 - COMPLETE	509692	3	

¹ [See Section 1.25](#)

1.25 Hydraulic Pump Assembly



REF.	DESCRIPTION (◆ Indicates Parts Available In Assemblies Only)	PART #	QTY
	HYDRAULIC PUMP ASSEMBLY, SHS/HR500/HR700	506733	1
1	PLATE, MOUNTING	506734-1	1
2	PUMP, PMS12/TNK1 W/ONE-LITER TANK	092789	1
3	VALVE, GE5L G3/8" 3-WAY BALL	504803	1
4	VALVE, RHV12LREDA3C (HVR NW10MLED) CHECK	094559	1
	FITTING, G 3/8 W/NOZZLE	096849	1
5	FITTING, G3/8 ZINC-PLATED SPECIAL	096850-1	1
6	WASHER, 16 COPPER	F81058-3	1
7	NOZZLE, D092-O 1MM DIA. PROPANE&BUTANE	091007	1
8	FITTING, 90\$ - 3/8 BSP - 9/16 JIC ELBOW	096335	4
9	HYDRAULIC HOSE, 3/8' W/DKJ 90 DN10 9/16 UNF/DKOL DN10 M18x1.5 END FITTINGS	504831	1
10	BLOCK, MOUNTING	504829-1	1
11	GAUGE, 200 BAR (3000PSI) PRESSURE	505176	1
12	SWITCH, F4Z1/M3-20 BAR PRESSURE	504830	1
13	DECAL, PRESSURE VALUE SETTING	505348	1
14	DECAL, TVS BLADE TENSIONER HANDLE POSITION	505346	1

1

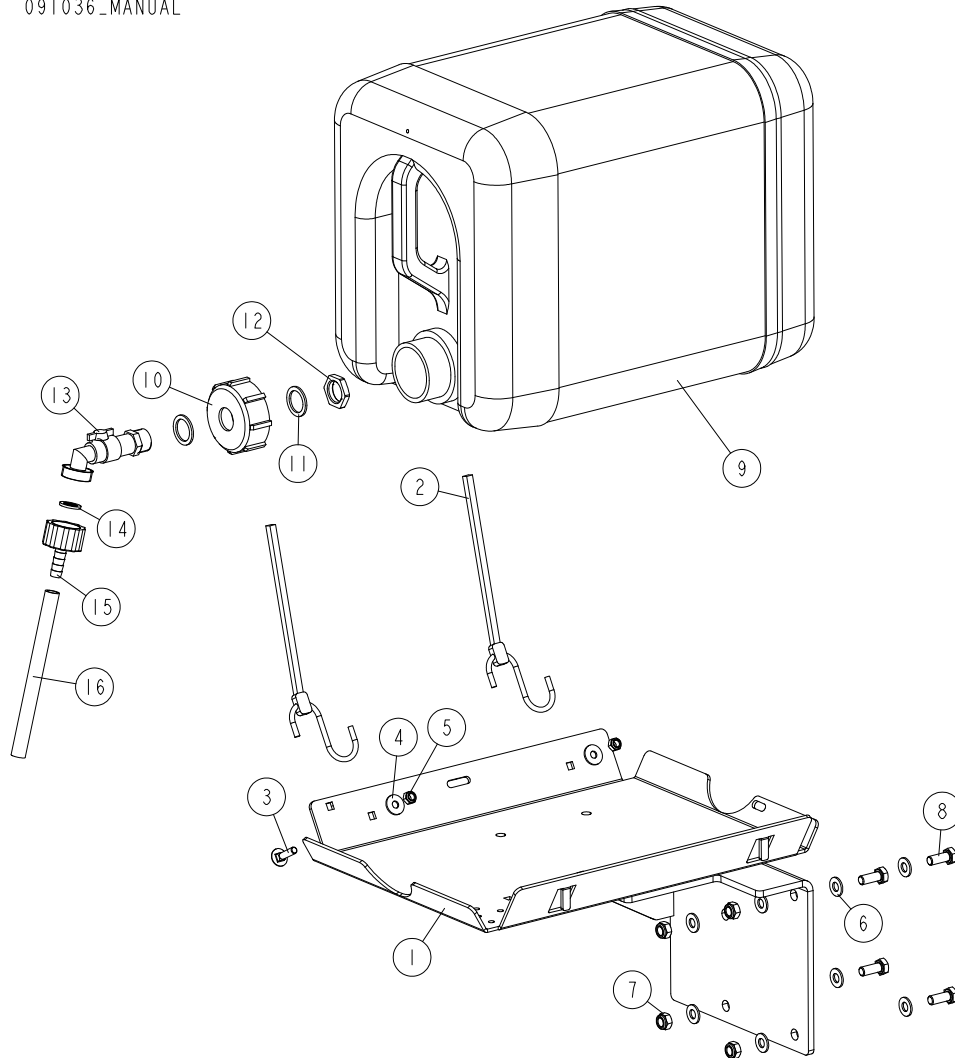
REPLACEMENT PARTS

Hydraulic Pump Assembly

15	FITTING, CA-204410-3 (W90HROKO4HJ) G1/4-JIC37.7/16-20 ELBOW	094562	1	
16	HOSE, 1/4 (0.19m) HYDRAULIC	505174	1	
17	FITTING, CA-204411-3 (W90HROKO6HJ04) G3/8-JIC37.7/16-20 ELBOW	094563	1	
18	HOSE, PHD 2T3/8x0.27 90W9/16UNF-W9/16UNF HYDRAULIC	506736	1	
19	WASHER, ISO 7093-1-8-200 HV-A2E	F81054-11	4	
20	NUT, M8 8 HEX NYLON ZINC LOCK	F81032-2	6	
21	WASHER, 8.4 FLAT ZINC	F81054-1	14	
22	BOLT, M8X40-8.8 HEX HEAD FULL THREAD ZINC	F81002-15	4	
23	BOLT, M8x25-8.8-B HEX HEAD FULL THREAD ZINC	F81002-5	2	
24	MAGNET, MW 38x12/N38 NEODYMIUM	500022	1	
25	WASHER, 5.3 FLAT ZINC	F81052-1	12	
26	NUT, M5-8-FE/ZN5 DIN985	F81030-2	6	
27	BOLT, M5x45 DIN933-A2-70 STAINLESS STEEL	F81000-22	2	
28	BOLT, M5X60 8.8 HEX HEAD ZINC	F81000-36	4	
29	BRACKET, SUPPORT	506732-1	1	
30	WASHER, 8.2 SPLIT LOCK ZINC	F81054-4	6	
31	BOLT, M8x75-8.8 HEX HEAD ZINC	F81002-91	2	
32	GUARD, VERTICAL HOSE	508713	1	
33	LATCH, GN 615.3-M6-KN BALL THREADED	096874	1	
34	WASHER, 6.4 FLAT ZINC	F81053-1	1	
35	NUT, M6-8-B HEX NYLON ZINC LOCK	F81031-2	1	
36	SCREW, M8x20-8.8 HEX SOCKET HEAD CAP ZINC	F81002-30	4	

1.26 Water Tank

091036_001_A
091036_MANUAL

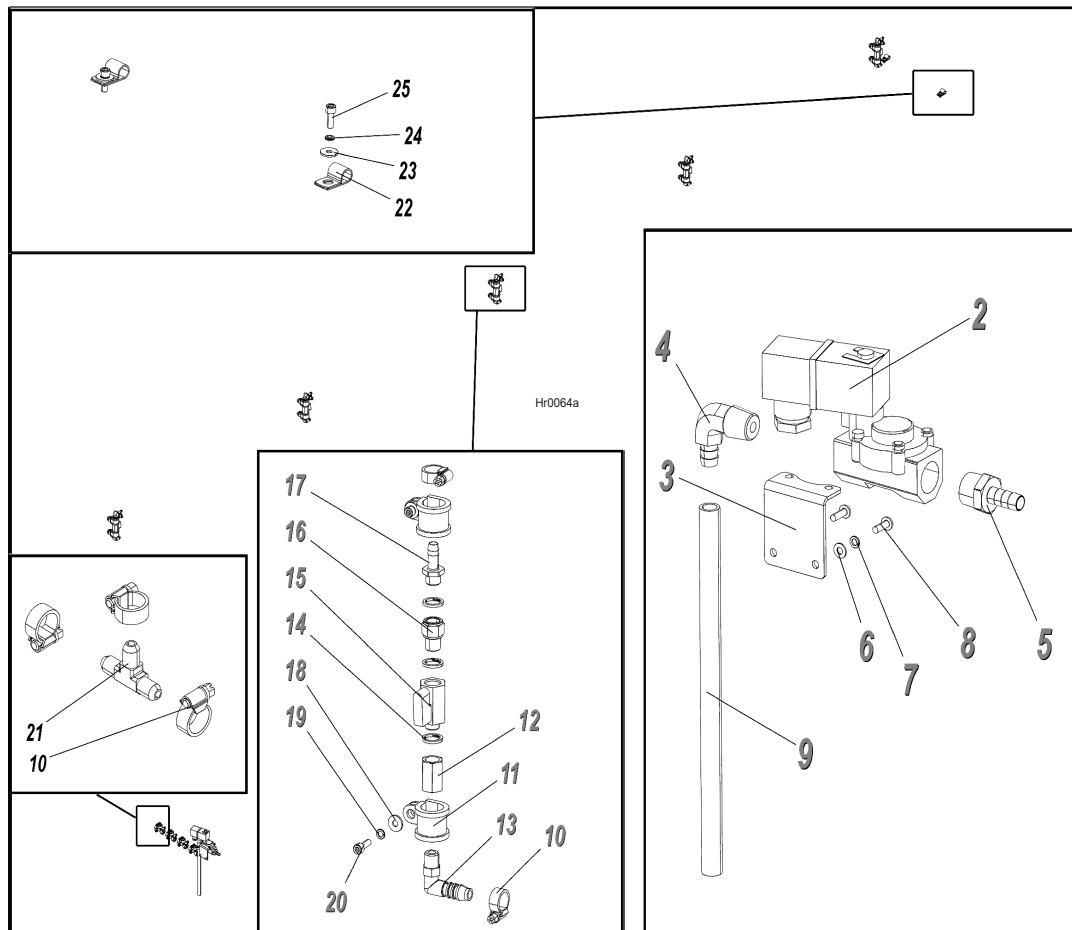


REF	DESCRIPTION (u indicates parts available in assemblies only)	PART #	QTY
-	BOTTLE KIT, LT20 WATER LUBE	091036	1
1	TRAY WELDMENT, LT20 WATER LUBE	091033-1	1
2	STRAP, 20" RUBBER W/HOOK	P11668	2
3	BOLT, M6X25-8.8 ZINC	F81001-20	2
4	WASHER, 6.5 SPECIAL FLAT ZINC-PL.	F81053-11	2
5	NUT, M6-8-B HEX NYLON ZINC LOCK	F81031-2	2
6	WASHER, 8.4 FLAT ZINC	F81054-1	8
7	NUT, M8-8-B HEX NYLON ZINC LOCK	F81032-2	4
8	BOLT, M8X20MM, HEX HEAD,GR 5.8 ZINC,	F81002-4	4
-	TANK, OIL	550787	1
9	BOTTLE, WATER	513866	1
10	NUT, BOTTLE	550785	1
11	SEAL, 27X20X1.5 ESSENTRA 467673 RUBBER	550780	2
12	NUT, 1/2 ESSENTRA 467615 GLAND	550779	1

1**REPLACEMENT PARTS***Water Tank*

REF	DESCRIPTION (u indicates parts available in assemblies only)	PART #	QTY	
13	FITTING, WATER LUBE SHUTOFF VALVE	550776	1	
14	FILTER, WATER LUBE	550778	1	
15	FITTING, G3/4" X 10MM HOSE BARB	550777	1	
16	TUBING, WATER LUBE 3/8" I.D.	R01885	1	

1.27 Blade Lube System



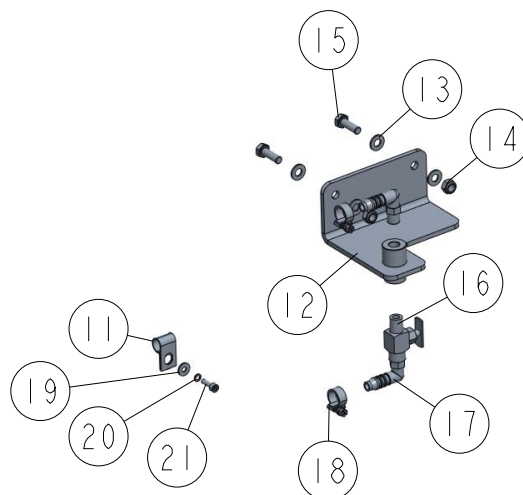
REF.	DESCRIPTION (◆ Indicates Parts Available In Assemblies Only)	PART #	QTY
	BLADE LUBE KIT, HR700 (1 SAW HEAD)	509710	1 / 0 / 0 / 0 / 0 / 0
	BLADE LUBE KIT, HR700 (2 SAW HEADS)	509711	0 / 1 / 0 / 0 / 0 / 0
	BLADE LUBE KIT, HR700 (3 SAW HEADS)	509712	0 / 0 / 1 / 0 / 0 / 0
	BLADE LUBE KIT, HR700 (4 SAW HEADS)	509713	0 / 0 / 0 / 1 / 0 / 0
	BLADE LUBE KIT, HR700 (5 SAW HEADS)	509714	0 / 0 / 0 / 0 / 1 / 0
	BLADE LUBE KIT, HR700 (6 SAW HEADS)	509715	0 / 0 / 0 / 0 / 0 / 1
1	SOLENOID VALVE, BLADE LUBE SYSTEM - COMPLETE	509702	1 / 1 / 1 / 1 / 1 / 1
2	VALVE, ASCO SCE238A002 24VDC SOLENOID	510270	1
3	BRACKET, SOLENOID VALVE ZINC-PLATED	092870-1	1
4	FITTING, 1/2NPT-3/8 BARB ELBOW	P12707	1
5	FITTING, 1/2" HOSE END	092356	1
6	WASHER, 4.3 FLAT ZINC	F81051-2	2
7	WASHER, Z 4.1 SPLIT LOCK ZINC	F81051-1	2
8	SCREW, M4X12-5.8-B CROSS RECESSED PAN HEAD ZINC	F81011-43	2

1 REPLACEMENT PARTS

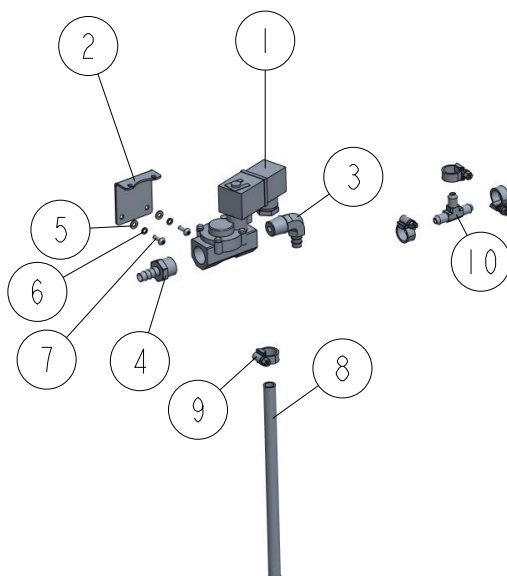
Blade Lube System

9	TUBING, 3/8" - 1 SAW HEAD	509704	1 / 0 / 0 / 0 / 0 / 0
	TUBING, 3/8" - 2 SAW HEADS	509705	0 / 1 / 0 / 0 / 0 / 0
	TUBING, 3/8" - 3 SAW HEADS	509706	0 / 0 / 1 / 0 / 0 / 0
	TUBING, 3/8" - 4 SAW HEADS	509707	0 / 0 / 0 / 1 / 0 / 0
	TUBING, 3/8" - 5 SAW HEADS	509708	0 / 0 / 0 / 0 / 1 / 0
	TUBING, 3/8" - 6 SAW HEADS	509709	0 / 0 / 0 / 0 / 0 / 1
10	CLAMP, 12-20MM DIA.	F81080-3	3 / 8 / 13 / 18 / 23 / 28
11	CLIP, RSGU 1.20/20 W1 RETAINING	F81087-2	2 / 4 / 6 / 8 / 10 / 12
12	SLEEVE, G1/4W/G1/4W 1823300001	090808	1 / 2 / 3 / 4 / 5 / 6
13	FITTING, WES 10/R 1/4 ELBOW	088379	1 / 2 / 3 / 4 / 5 / 6
14	SEAL, G1/4 866-014-000-0	090809	3 / 6 / 9 / 12 / 15 / 18
15	VALVE, FP60.KIT 28 G1/4	088380	1 / 2 / 3 / 4 / 5 / 6
16	ADAPTER, 2521 1/4-1/4 (CAMOZZI)	097704	1 / 2 / 3 / 4 / 5 / 6
17	BUSHING, GT13/09 NR 13539	092783	1 / 2 / 3 / 4 / 5 / 6
18	WASHER, 5.5 SPECIAL FLAT ZINC	F81052-3	2 / 4 / 6 / 8 / 10 / 12
19	WASHER, 5.1 SPLIT LOCK	F81052-2	2 / 4 / 6 / 8 / 10 / 12
20	SCREW, M5X16-8.8 HEX SOCKET HEAD CAP ZINC	F81000-25	2 / 4 / 6 / 8 / 10 / 12
21	FITTING, 3/8 BARB TEE	015485	0 / 1 / 2 / 3 / 4 / 5
22	CLAMP, 1/2" EMT COATED	P07584	2 / 0 / 2 / 0 / 2 / 0
23	WASHER, 6.5 SPECIAL FLAT ZINC	F81053-11	2 / 0 / 2 / 0 / 2 / 0
24	WASHER, Z 6.1 SPLIT LOCK	F81053-3	2 / 0 / 2 / 0 / 2 / 0
25	SCREW, M6X16 8.8 HEX SOCKET HEAD CAP ZINC	F81001-21	2 / 0 / 2 / 0 / 2 / 0

1.28 Blade Lube System, HR700 PRO



HR700_141
520444_MANUAL

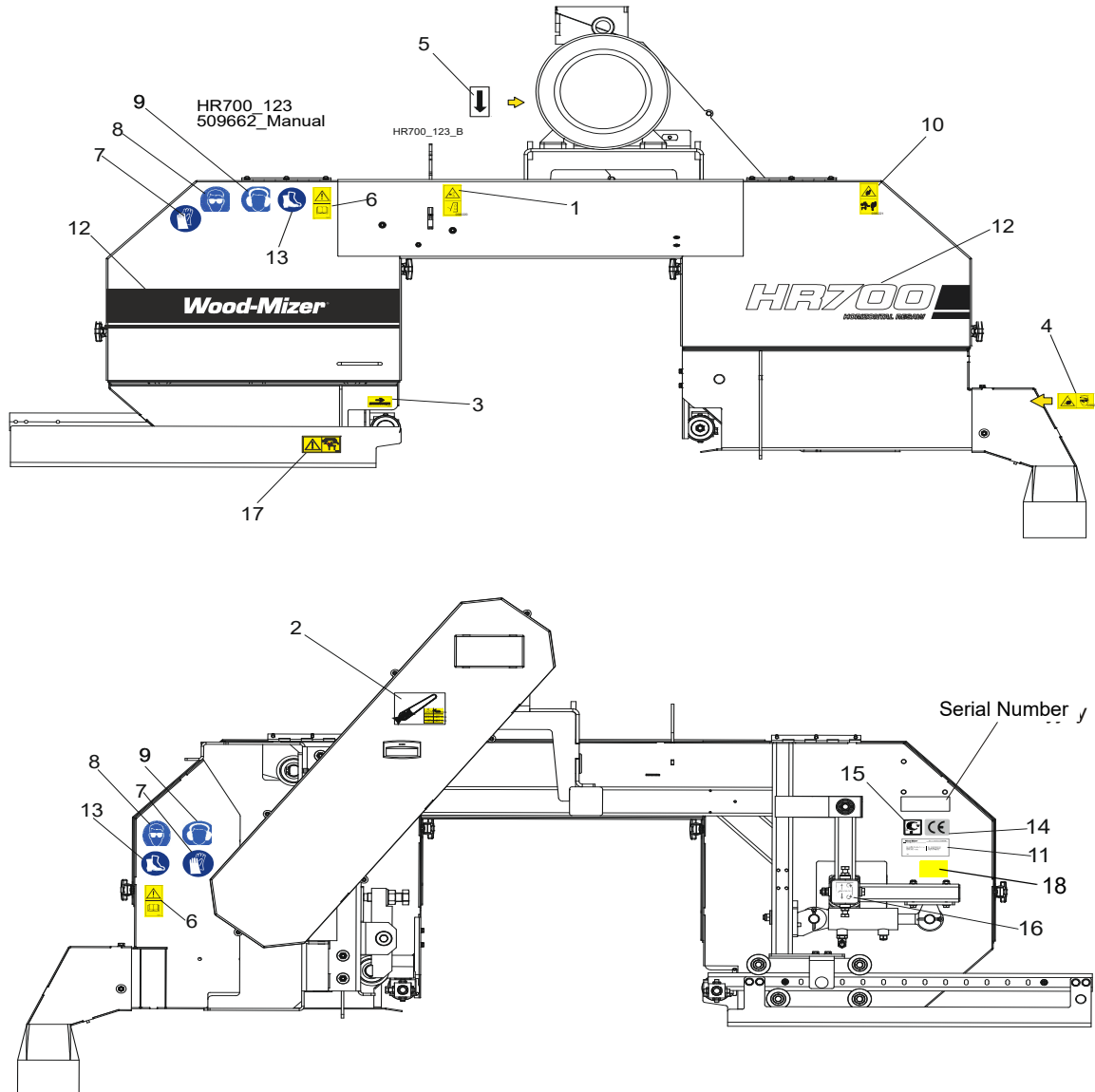


REF.	DESCRIPTION (◆ Indicates Parts Available In Assemblies Only)	PART #	QTY
	BLADE LUB KIT, HR700 (4-SAW HEADS)	521110	1
	SOLENOID VALVE, BLADE LUBE SYSTEM- COMPLETE	509702	1
1	VALVE, ASCO SCE238A002 24V DC. SOLENOID	510270	1
2	BRACKET, SOLENOID VALVE ZINC-PLATED	092870-1	1
3	FITTING, 1/2NPT-3/8 BARB ELBOW	P12707	1
4	FITTING, 1/2" HOSE END	092356	1
5	WASHER, 4.3 FLAT ZINC	F81051-2	2
6	WASHER, Z 4.1 SPLIT LOCK ZINC	F81051-1	2
7	SCREW, M4X12-5.8-B-CROSS RECESSED PAN HEAD ZINC	F81011-43	2

1**REPLACEMENT PARTS***Blade Lube System, HR700 PRO*

REF.	DESCRIPTION (◆ Indicates Parts Available In Assemblies Only)	PART #	QTY	
8	HOSE, WATER LUBE	514084	1	
9	CLAMP, 12-20MM DIA.	F81080-3	10	
10	FITTING 3/8 TEE BARB	015485	3	
11	CLAMP, 1/2EMT COATED	P07584	4	
	NEEDLE VALVE W/MOUNTING BRACKET	521113	4	
12	BRACKET, NEEDLE VALVE MOUNTING	521120-1	1	
13	WASHER, 8.4 FLAT ZINC	F81054-1	4	
14	NUT, M8-8-B-HEX NYLON ZINC LOCK	F81032-2	2	
15	BOLT, M8X25-8.8-B-HEX HEAD ZINC	F81002-5	2	
16	VALVE, WATER NEEDLE	P05680	1	
17	FITTING, WES 10/R1/4 ELBOW	088379	2	
18	CLAMP, 12-20 HOSE	F81080-3	2	
19	WASHER, 5.5 FLAT SPECIAL ZINC-PLATED	F81052-3	4	
20	WASHER, 5.1 SPLIT LOCK ZINC	F81052-2	4	
21	SCREW, M5X16-8.8-SOCKET HEAD CAP ZINC	F81000-25	4	

1.29 HR700 Saw Head Warning Decals



REF.	DESCRIPTION (◆ Indicates Parts Available In Assemblies Only)	PART #	QTY
	DECAL KIT, HR700 - FOR 1 SAW HEAD	514207	1
1	DECAL "CLOSE ALL GUARDS AND COVERS BEFORE STARTING THE MACHINE"	099220	1
2	DECAL, DRIVE-SIDE WHEEL DIAMETER, LINEAR BLADE SPEED	509025	1
3	DECAL, BLADE MOVEMENT DIRECTION (PICTOGRAM)	096321	1
4	DECAL, SAWDUST CHUTE WARNING (PICTOGRAM)	099222	1
5	DECAL, MOTOR REVOLUTIONS DIRECTION	S20097	1
6	DECAL, READ THE OPERATOR'S MANUAL (PICTOGRAM)	096317	2
7	DECAL, WEAR SAFETY GLOVES (PICTOGRAM)	512107	2
8	DECAL, EYE WARNING (PICTOGRAM)	S12004G	2
9	DECAL, EAR WARNING (PICTOGRAM)	S12005G	2
10	DECAL, KEEP A SAFE DISTANCE AWAY (PICTOGRAM)	099221	1

1

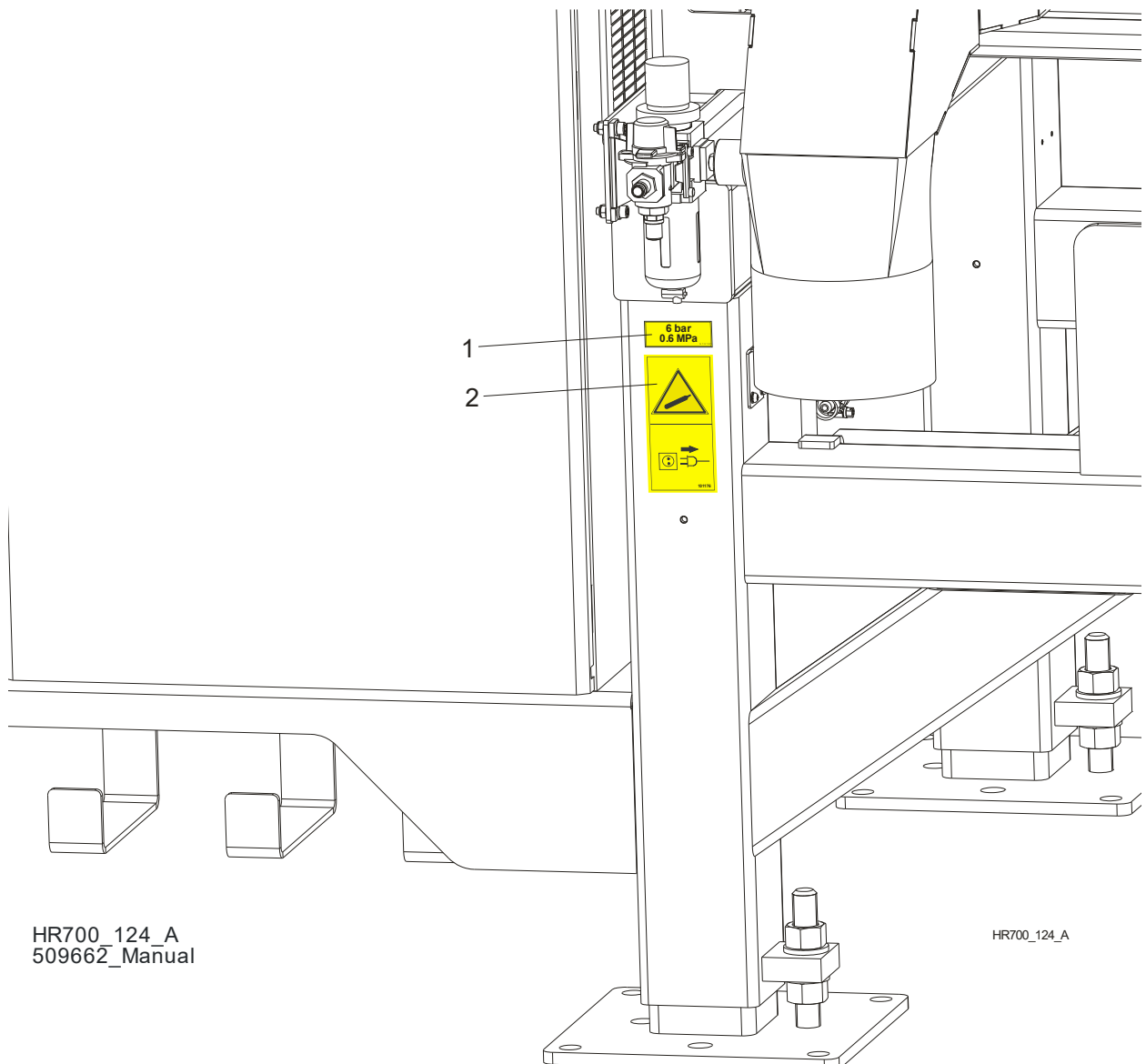
REPLACEMENT PARTS

HR700 Saw Head Warning Decals

11	DECAL, EUROPEAN HEADQUARTERS ADDRESS	015841	1	
12	DECAL KIT, HR700 NAME	533075	1	
13	DECAL, USE SAFETY BOOTS (PICTOGRAM)	501465	2	
14	DECAL, CE CERTIFIED MACHINE (SMALL)	P85070	1	
15	DECAL, RUSSIAN SAFETY CERTIFICATION	099401	1	
16	DECAL, BLADE ALIGNMENT	P11789	1	
17	DECAL, BE SURE TO ADJUST THE BLADE GUIDE ARM OUT BEFORE LOWERING THE SAW HEAD	522322	1	
18	DECAL, BLADE TENSION INDICATOR ADJUSTMENT	590512	1	
	DECAL, COMPRESSED AIR IN THE SYSTEM EVEN AFTER ELECTRIC POWER DISCONNECTION See Section 1.30	101176	1	
	DECAL, PNEUMATIC SYSTEM PRESSURE VALUE See Section 1.30	513181	1	
	DECAL KIT, HR700-1	514201	1	
	DECAL KIT, HR700 - FOR 1 SAW HEAD	514207	1	
	DECAL, COMPRESSED AIR IN THE SYSTEM EVEN AFTER ELECTRIC POWER DISCONNECTION	101176 ¹	1	
	DECAL, PNEUMATIC SYSTEM PRESSURE VALUE	513181 ¹	1	
	DECAL KIT, HR700-2	514202	1	
	DECAL KIT, HR700 - FOR 1 SAW HEAD	514207	2	
	DECAL, COMPRESSED AIR IN THE SYSTEM EVEN AFTER ELECTRIC POWER DISCONNECTION	101176 ¹	1	
	DECAL, PNEUMATIC SYSTEM PRESSURE VALUE	513181 ¹	1	
	DECAL KIT, HR700-3	514203	1	
	DECAL KIT, HR700 - FOR 1 SAW HEAD	514207	3	
	DECAL, COMPRESSED AIR IN THE SYSTEM EVEN AFTER ELECTRIC POWER DISCONNECTION	101176 ¹	1	
	DECAL, PNEUMATIC SYSTEM PRESSURE VALUE	513181 ¹	1	
	DECAL KIT, HR700-4	514204	1	
	DECAL KIT, HR700 - FOR 1 SAW HEAD	514207	4	
	DECAL, COMPRESSED AIR IN THE SYSTEM EVEN AFTER ELECTRIC POWER DISCONNECTION	101176 ¹	1	
	DECAL, PNEUMATIC SYSTEM PRESSURE VALUE	513181 ¹	1	
	DECAL KIT, HR700-5	514205	1	
	DECAL KIT, HR700 - FOR 1 SAW HEAD	514207	5	
	DECAL, COMPRESSED AIR IN THE SYSTEM EVEN AFTER ELECTRIC POWER DISCONNECTION	101176 ¹	1	
	DECAL, PNEUMATIC SYSTEM PRESSURE VALUE	513181 ¹	1	
	DECAL KIT, HR700-6	514206	1	
	DECAL KIT, HR700 - FOR 1 SAW HEAD	514207	6	
	DECAL, COMPRESSED AIR IN THE SYSTEM EVEN AFTER ELECTRIC POWER DISCONNECTION	101176 ¹	1	
	DECAL, PNEUMATIC SYSTEM PRESSURE VALUE	513181 ¹	1	

¹ [See Section 1.30](#)

1.30 Pneumatic System Decals



HR700_124_A
 509662_Manual

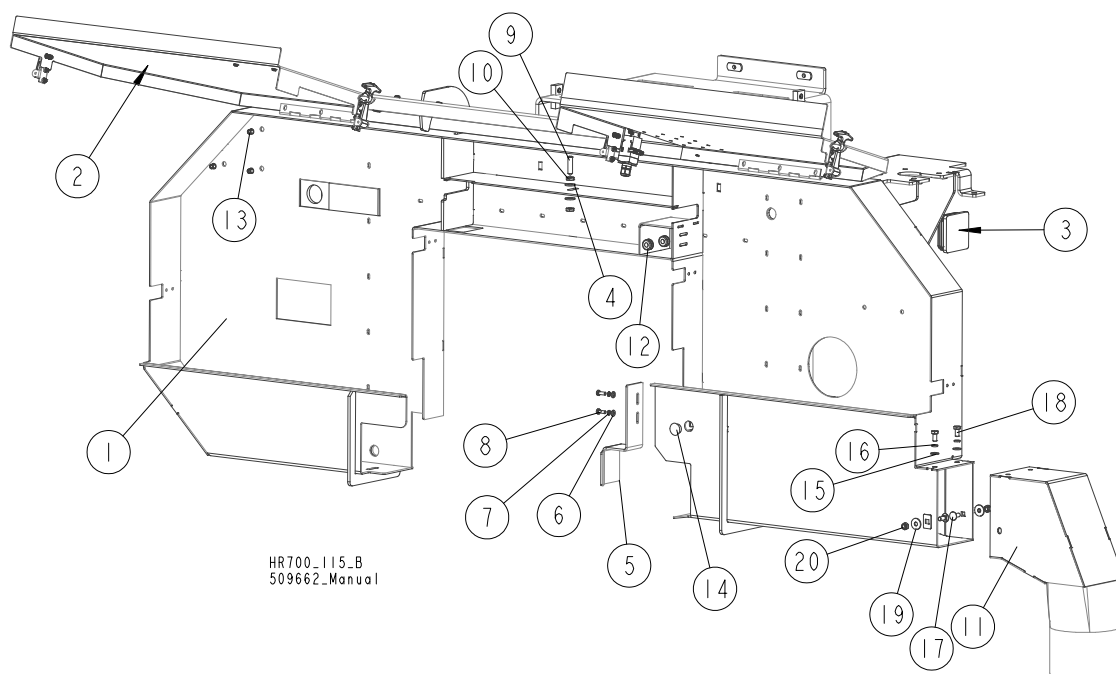
HR700_124_A

REF.	DESCRIPTION (◆ Indicates Parts Available In Assemblies Only)	PART #	QTY
1	DECAL, COMPRESSED AIR IN THE SYSTEM EVEN AFTER ELECTRIC POWER DISCONNECTION	101176	1
2	DECAL, PNEUMATIC SYSTEM PRESSURE VALUE	513181	1

1 REPLACEMENT PARTS

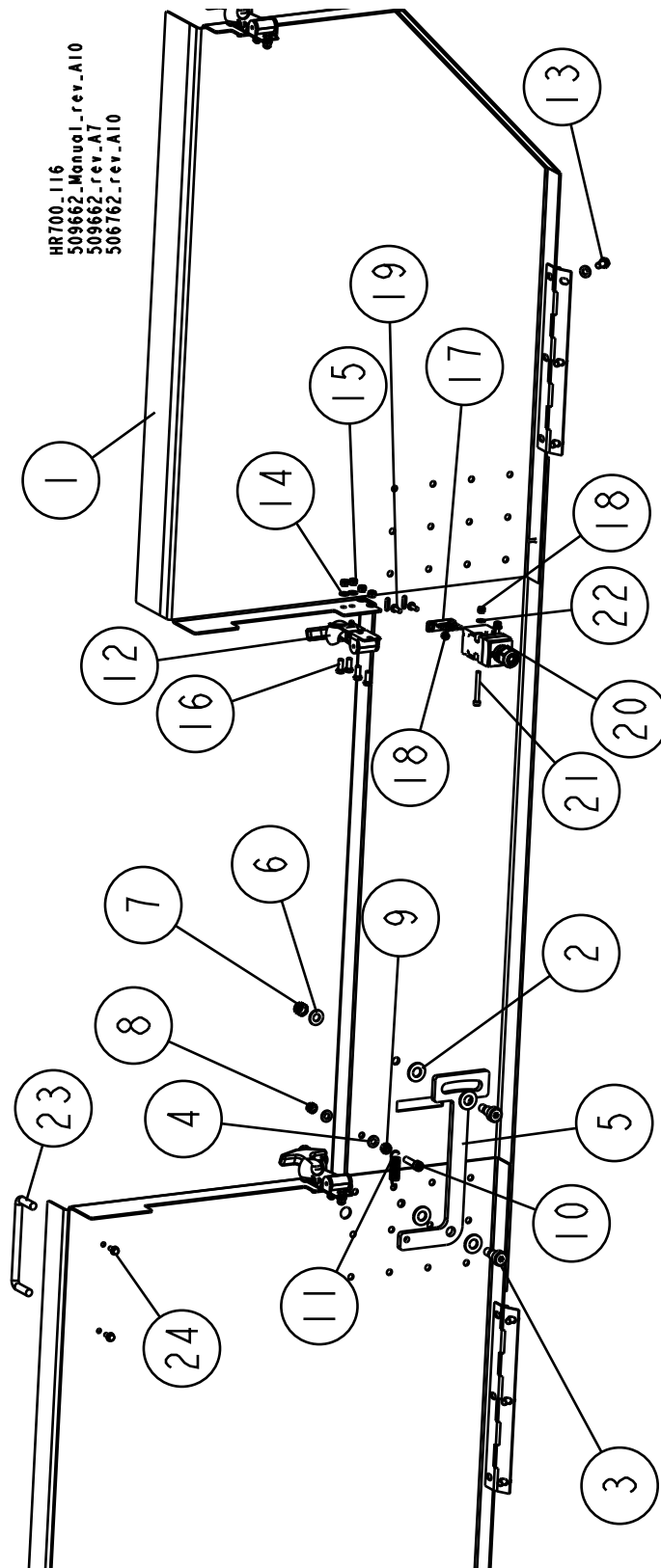
HR700 Saw Head

1.31 HR700 Saw Head



REF.	DESCRIPTION (◆ Indicates Parts Available In Assemblies Only)	PART #	QTY
1	SAW HEAD, SHS/HR700	506714-1	1
2	COVER, SHS/HR700 FRONT - COMPLETE See Section 1.32	506762	1
3	CAP, 80X80 GR 2-4 #111227 TUBE END	089644	4
4	WASHER, 6.4 FLAT ZINC	F81053-1	2
5	GUARD, BLADE GUIDE ROLLER	516925-1	1
6	WASHER, Z 6.1 SPLIT LOCK	F81053-3	2
7	WASHER, 10.5 FLAT ZINC	F81055-1	2
8	BOLT, M6X16-8.8 HEX HEAD FULL THREAD ZINC	F81001-15	2
9	SCREW, M10X40-45H HEX SOCKET SET CONE POINT ZINC	F81003-61	1
10	NUT, M10-04-A ZINC-PLATED THIN	F81033-6	2
11	CHUTE, RESAW SAWDUST	094059-1	1
12	GROMMET, 30X42X8 RUBBER	509717	2
13	GROMMET, 3/8" ID RUBBER	025248	2
14	PLUG, SR1086-9.5 #46009 (MOSS) BLANKING	096846	3
15	PLUG, SR1086 22.2 HOLE	093544	1
16	WASHER, 8.4 FLAT ZINC	F81054-1	2
17	WASHER, 8.2 SPLIT LOCK ZINC	F81054-4	2
18	BOLT, M8X20-8.8 CARRIAGE HEAD ZINC	F81002-11	2
19	BOLT, M8X16-8.8-B HEX HEAD FULL THREAD ZINC	F81002-20	2
20	WASHER, ISO 7093-1-8-200 HV-A2E	F81054-11	2
21	NUT, M8-8-B HEX NYLON ZINC LOCK	F81032-2	2

1.32 Front Blade Housing Cover

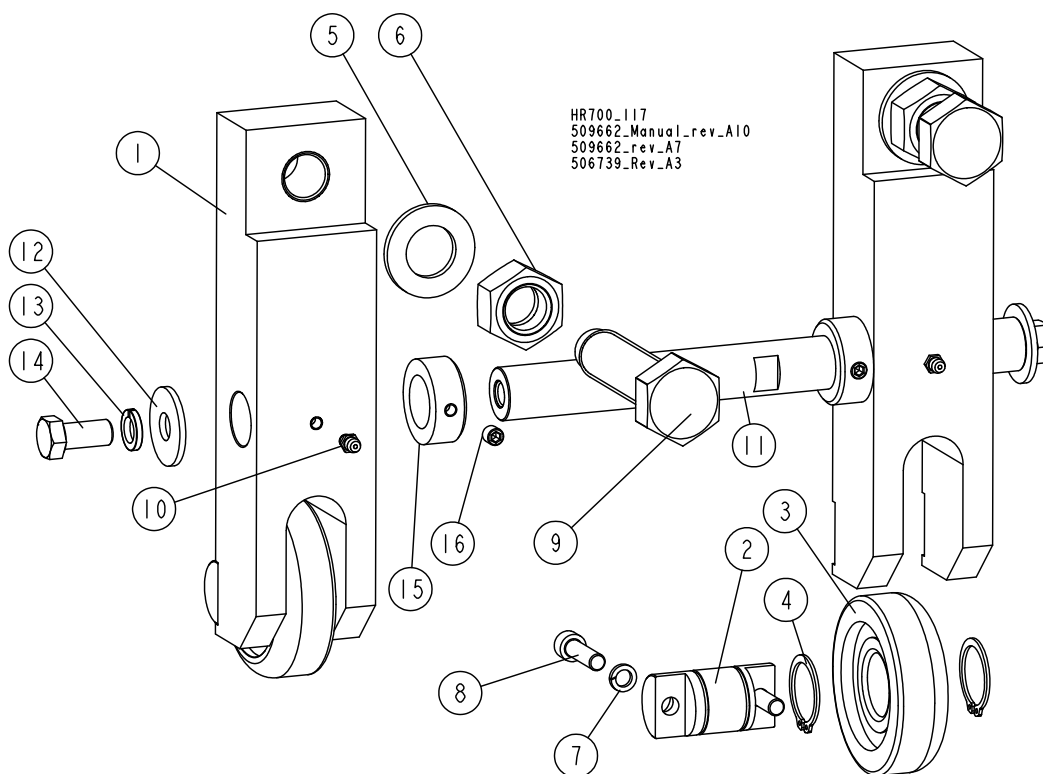


1 REPLACEMENT PARTS

Front Blade Housing Cover

REF.	DESCRIPTION (◆ Indicates Parts Available In Assemblies Only)	PART #	QTY	
	COVER, SHS/HR700 FRONT - COMPLETE	506762	1	
1	COVER, SHS/HR700 FRONT	506763-1	1	
2	WASHER, 10.5 FLAT ZINC	F81055-1	4	
3	BOLT, 10/M8X12-12.9 BOSSARD SHOULDER	F81003-62	2	
4	WASHER, 6.4 FLAT ZINC	F81053-1	8	
5	PAWL, LOCKING	090643-1	1	
6	WASHER, 8.4 FLAT ZINC	F81054-1	2	
7	NUT, M8 8 HEX NYLON ZINC LOCK	F81032-2	2	
8	NUT, M6-8-B HEX NYLON ZINC LOCK	F81031-2	1	
9	NUT, M6 8 HEX ZINC	F81031-1	1	
10	SCREW, M6X25-8.8 HEX SOCKET HEAD CAP ZINC	F81001-41	1	
11	SPRING, 1.6X12X38 EXTENSION	092208	1	
12	LATCH, FLEXIBLE DRAW	014829	4	
13	BOLT, M6X12 8.8 HEX HEAD FULL THREAD ZINC	F81001-7	6	
14	WASHER, 5.3 FLAT ZINC	F81052-1	16	
15	NUT, M5-8 DIN985 ZINC-PLATED	F81030-2	16	
16	BOLT, M5X12 5.8 HEX HEAD FULL THREAD ZINC	F81000-5	16	
17	KEY, AZ17/170-B5 SAFETY SWITCH	094422	1	
18	NUT, M4-8 HEX NYLON ZINC LOCK	F81029-1	4	
19	SCREW, M4X12-5.8-B CROSS RECESSED PAN HEAD ZINC	F81011-43	2	
20	SWITCH, AZ17-11ZRK SAFETY	094232	1	
21	SCREW, M4X35 8.8 HEX SOCKET HEAD CAP ZINC	F81011-34	2	
22	WASHER, 4.3 FLAT ZINC	F81051-2	2	
23	HANDLE, 4"	P08065	1	
24	SCREW, #8-32X3/8 SELF-TAPPING	F05015-8	2	

1.33 Adjustable Saw Head Guide Rollers

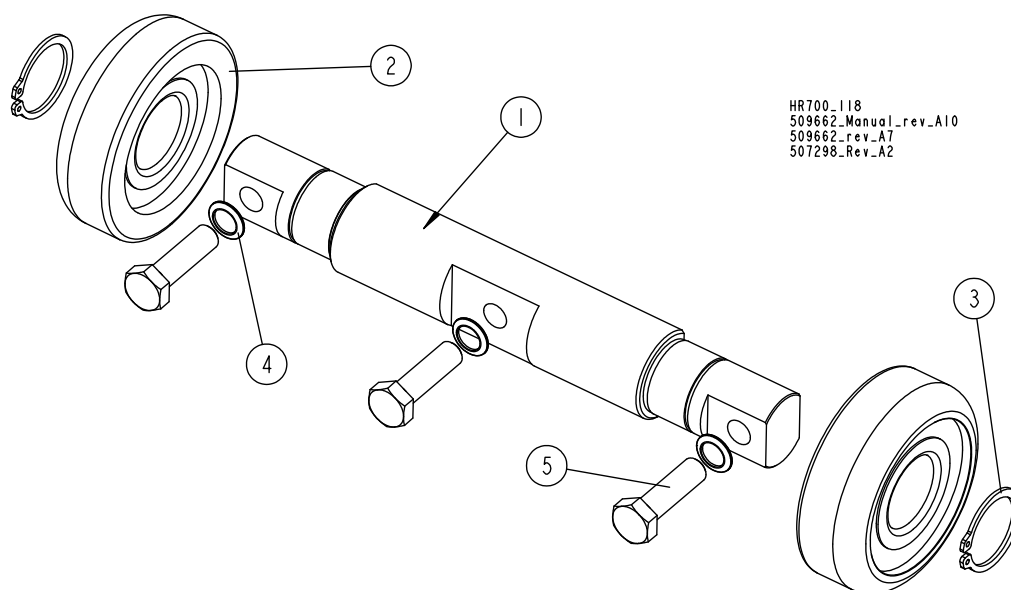


REF.	DESCRIPTION (◆ Indicates Parts Available In Assemblies Only)	PART #	QTY
	ROLLER ASSEMBLY, ADJUSTABLE SAW HEAD GUIDE	506739	1
1	BAR, ROLLER ZINC-PLATED MOUNT	506741-1	2
2	SHAFT, GUIDE ROLLER ZINC-PLATED	506742-1	2
3	ROLLER, SBBA3084-01 (COMPLEX)	088433	2
4	RING, 30Z OUTSIDE RETAINING	F81090-23	4
5	WASHER, 25 FLAT ZINC	F81061-3	2
6	NUT, M24X2-8-B HEX ZINC	F81039-11	2
7	WASHER, 8.2 SPLIT LOCK ZINC	F81054-4	4
8	SCREW, M8X30-8.8 HEX SOCKET HEAD CAP ZINC	F81002-31	4
9	BOLT, M24X2X95 ZINC-PLATED SPECIAL	506748-1	2
10	FITTING, M6 STRAIGHT GREASE	086280	2
11	ROD, GUIDE ROLLER CONNECTION	506747	1
12	WASHER, 13 SPECIAL FLAT ZINC	F81056-14	2
13	WASHER, Z12.2 SPLIT LOCK ZINC	F81056-2	2
14	BOLT, M12X25-8.8 HEX HEAD FULL THREAD ZINC	F81004-31	2
15	RING, 25 STOPPING LIGHT TYPE	F81039-4	2
16	SCREW, M8X8-33H HEX SOCKET FLAT POINT ZINC SET	F81014-1	2

1 REPLACEMENT PARTS

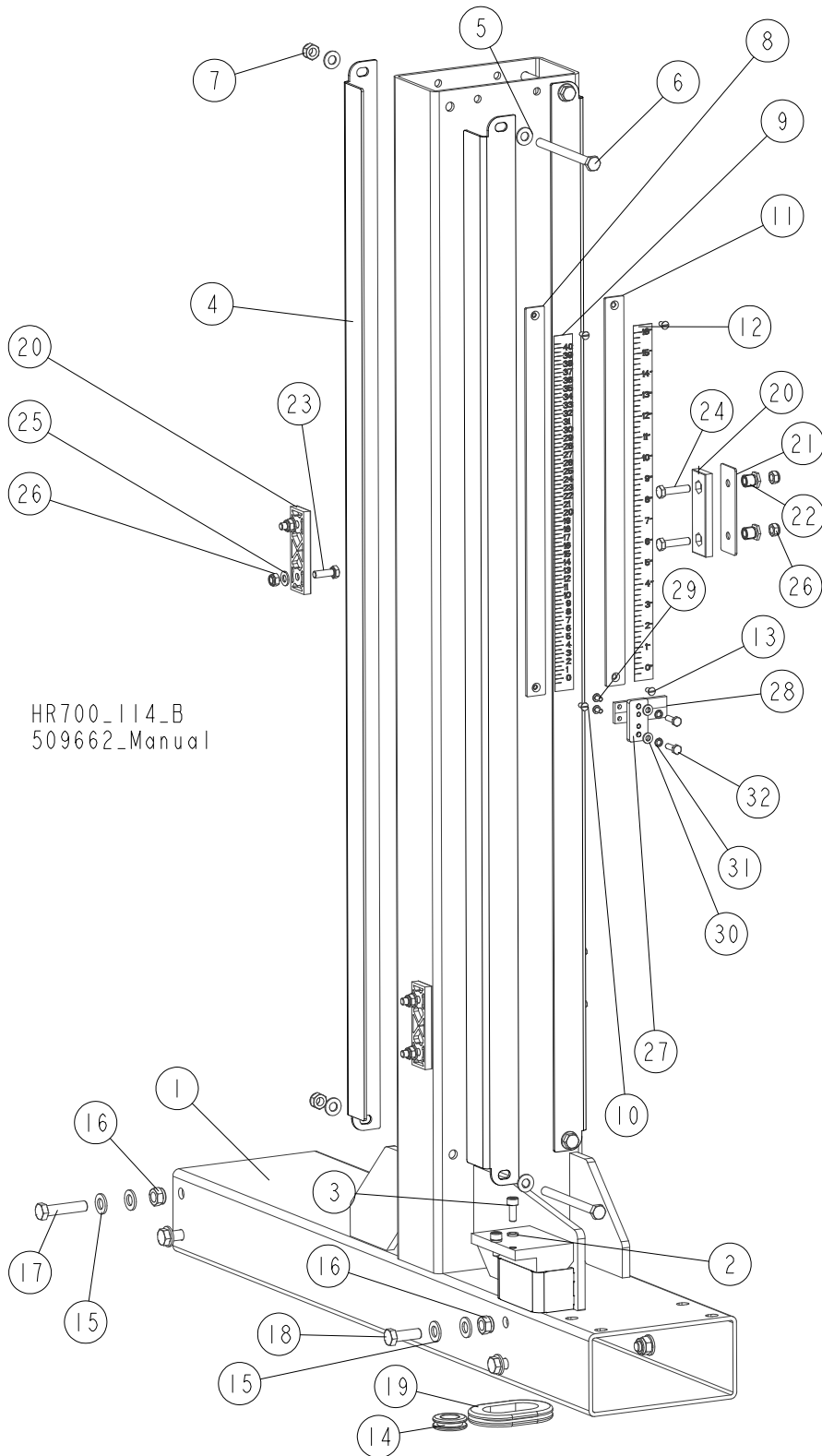
Fixed Saw Head Guide Rollers

1.34 Fixed Saw Head Guide Rollers



REF.	DESCRIPTION (◆ Indicates Parts Available In Assemblies Only)	PART #	QTY
	ROLLER ASSEMBLY, FIXED SAW HEAD GUIDE	507298	1
1	SHAFT, FIXED GUIDE ROLLER ZINC-PLATED	088815-1	1
2	ROLLER, SBBA3084-01 (COMPLEX)	088433	2
3	RING, 30Z OUTSIDE RETAINING	F81090-23	2
4	WASHER, 791 M10/10.5 SPLIT LOCK	F81055-7	3
5	BOLT, M10X35 8.8 HEX HEAD FULL THREAD ZINC	F81003-17	3

1.35 HR700 Vertical Mast



HR700_114_B
509662_Manual

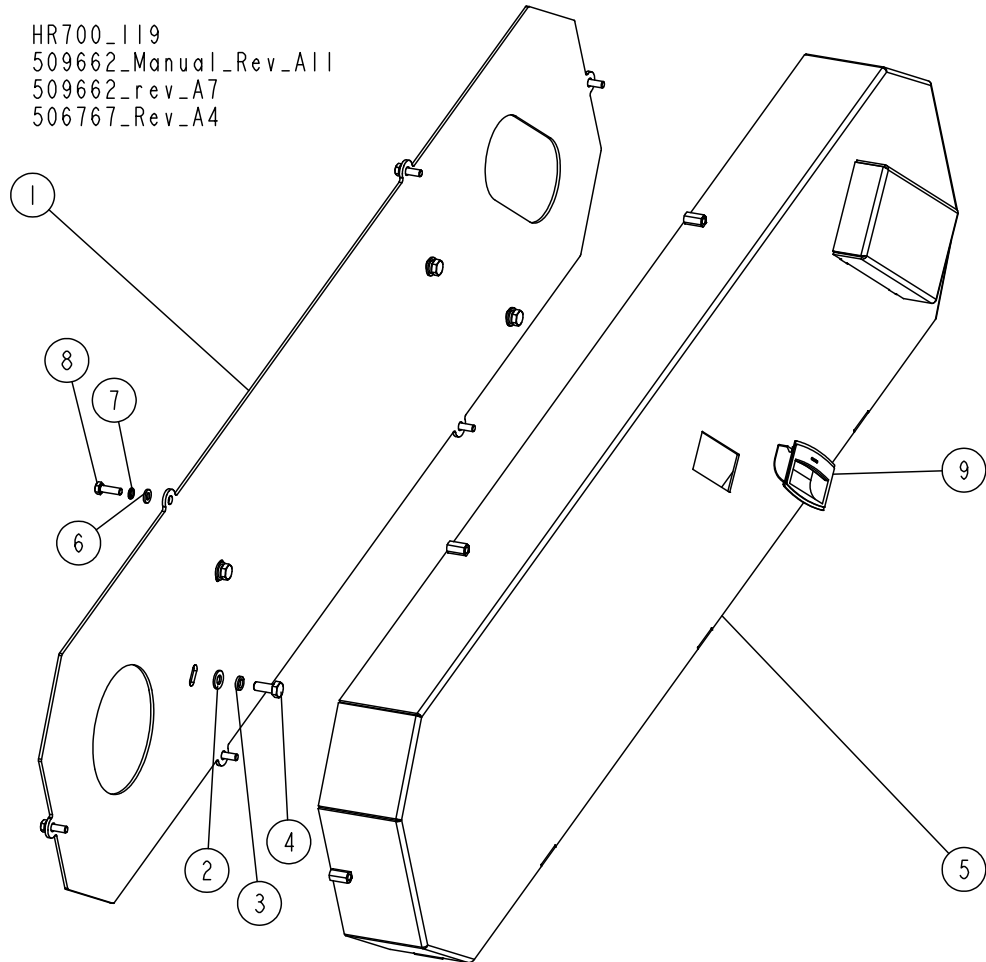
1

REPLACEMENT PARTS

HR700 Vertical Mast

REF.	DESCRIPTION (◆ Indicates Parts Available In Assemblies Only)	PART #	QTY
	MAST, HR700 COMPLETE	508697	1
1	MAST, HR700	508698-1	1
2	WASHER, 8.2 SPLIT LOCK ZINC	F81054-4	2
3	SCREW, M8X20-8.8 HEX SOCKET HEAD CAP ZINC	F81002-30	2
4	ANGLE, MAST TUBE	513489	4
5	WASHER, 10.5 FLAT ZINC	F81055-1	8
6	BOLT, M10X125 8.8 HEX HEAD ZINC	F81003-18	4
7	NUT, M10-8-B HEX NYLON ZINC LOCK	F81033-1	4
	SCALE, METRIC BLADE HEIGHT - COMPLETE	507302	1
8	BAR, SHS/HR700 BLADE HEIGHT SCALE	507303	1
9	DECAL, 0-40 METRIC BLADE HEIGHT SCALE	507304	1
10	SCREW, M5X12- 5.8-B SLOTTED COUNTERSUNK HEAD ZINC	F81000-15	2
	SCALE, INCH BLADE HEIGHT - COMPLETE	507305	1
11	BAR, SHS/HR700 BLADE HEIGHT SCALE	507303	1
12	DECAL, 0-15.75 INCH BLADE HEIGHT SCALE	507306	1
13	SCREW, M5X12- 5.8-B SLOTTED COUNTERSUNK HEAD ZINC	F81000-15	2
14	GROMMET, 22MM ID RUBBER	087400	6
15	WASHER, 13MM FLAT ZINC	F81056-1	16
16	NUT, M12-8 HEX NYLON ZINC LOCK	F81034-2	8
17	BOLT, M12X45-8.8 HEX HEAD ZINC	F81004-32	4
18	BOLT, M12X35 8.8 HEX HEAD FULL THREAD ZINC	F81004-24	4
19	GROMMET	089532	2
20	PAD, DELRIN UP/DOWN SLIDE	M04096	4
21	PLATE, SLIDE PAD MOUNTING	093246-1	2
22	.NUT, SLIDE PAD ZINC-PLATED ADJUSTMENT	086683-1	4
23	BOLT, M8X25-8.8-B HEX HEAD FULL THREAD ZINC	F81002-5	4
24	BOLT, M8X35-8.8 HEX HEAD FULL THREAD ZINC	F81002-13	4
25	WASHER, 8.4 FLAT ZINC	F81054-1	4
26	NUT, M8 8 HEX NYLON ZINC LOCK	F81032-2	8
	INDICATOR, BLADE HEIGHT SCALE - COMPLETE	507299	1
27	PLATE, SCALE INDICATOR ZINC-PLATED MOUNTING	507301-1	1
28	INDICATOR, BLADE HEIGHT SCALE	094821	1
29	BOLT M5x10 wg. ISO 7380	F81000-32	2
30	WASHER, 6.4 FLAT ZINC	F81053-1	2
31	WASHER, Z 6.1 SPLIT LOCK ZINC	F81053-3	2
32	BOLT, M6X20 8.8 HEX HEAD FULL THREAD ZINC	F81001-2	2

1.36 Drive Belt Guard

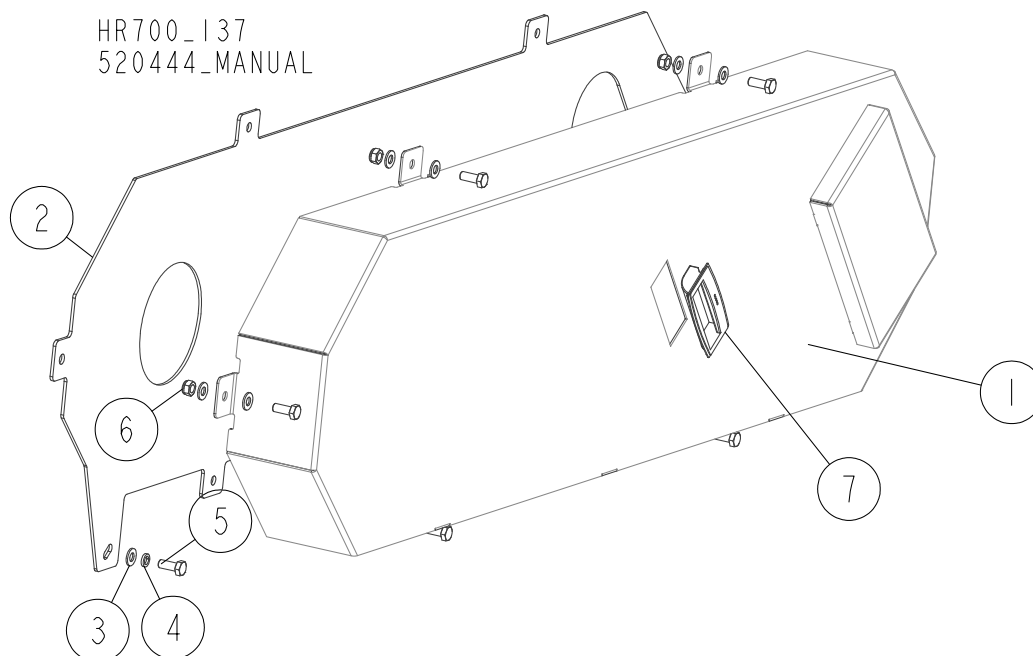


REF.	DESCRIPTION (◆ Indicates Parts Available In Assemblies Only)	PART #	QTY
	GUARD, DRIVE BELT - COMPLETE	506767	1
1	PLATE, DRIVE BELT GUARD REAR	506731-1	1
2	WASHER, 8.4 FLAT ZINC	F81054-1	4
3	WASHER, 8.2 SPLIT LOCK ZINC	F81054-4	4
4	BOLT, M8X20 8.8 HEX HEAD FULL THREAD ZINC	F81002-4	4
5	GUARD, DRIVE BELT	506768-1	1
6	WASHER, 6.4 FLAT ZINC	F81053-1	6
7	WASHER, Z 6.1 SPLIT LOCK ZINC	F81053-3	6
8	BOLT, M6X20 8.8 HEX HEAD FULL THREAD ZINC	F81001-2	6
9	HANDLE, EPR.90-PF-C1(261051-C1) SNAP-IN FLUSH PULL	100012	1

1 REPLACEMENT PARTS

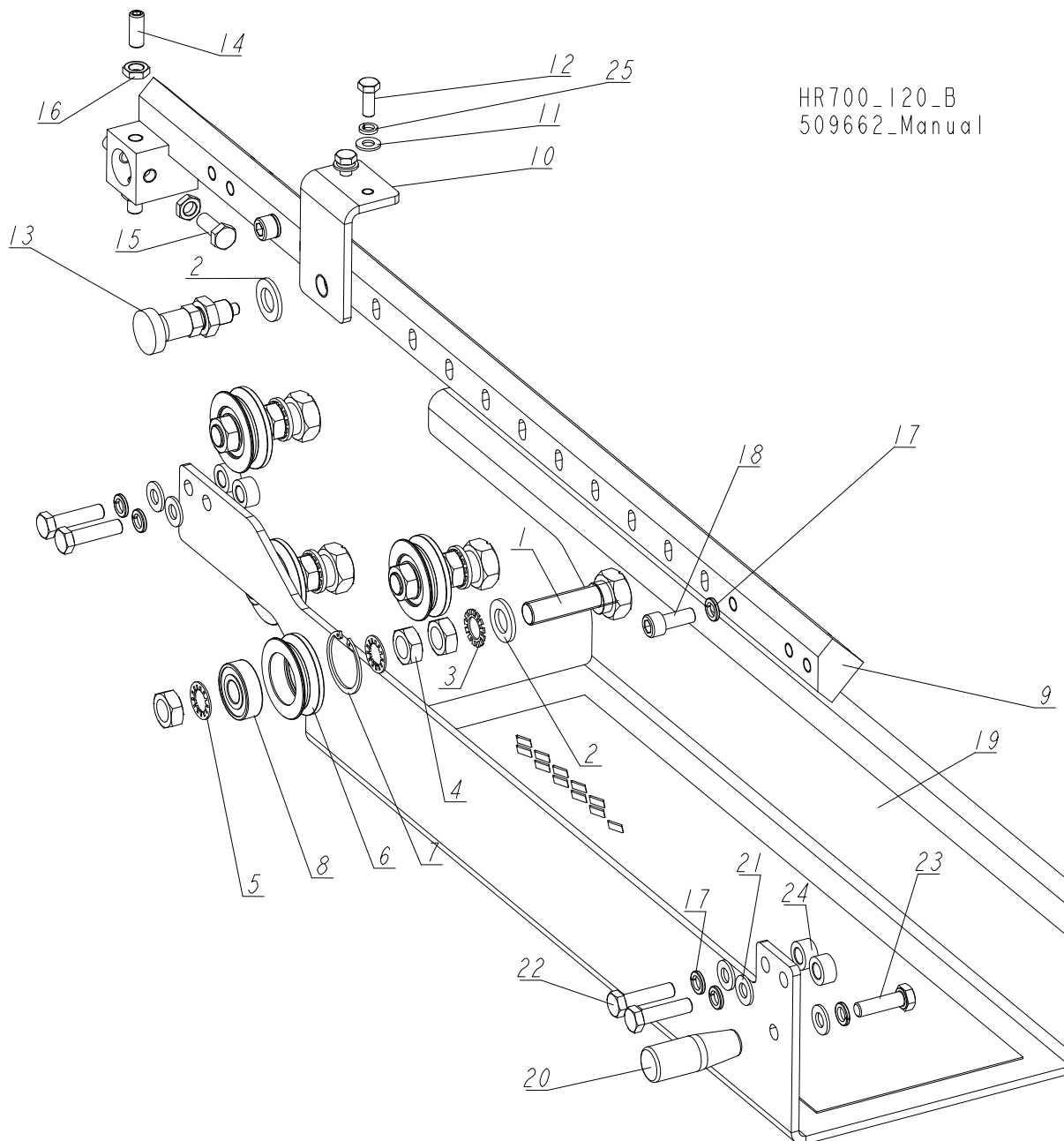
Drive Belt Guard, HR700 PRO

1.37 Drive Belt Guard, HR700 PRO



REF.	DESCRIPTION (◆ Indicates Parts Available In Assemblies Only)	PART #	QTY
	DRIVE BELT GUARD, HR700HD COMPLETE	520453	1
1	GUARD, DRIVE BELT HR700HD, PTD	520455-1	1
2	PLATE, DRIVE BELT GUARD REAR	520454-1	1
3	WASHER, 8.4 FLAT ZINC	F81054-1	16
4	WASHER, 8.2 SPLIT LOCK ZINC	F81054-4	4
5	BOLT, M8X20 8.8 HEX HEAD ZINC	F81002-4	10
6	NUT, M8-8-B-HEX NYLON ZINC LOCK	F81032-2	6
7	HANDLE, EPR.90-PF-C1(261051-C1). SNAP-IN FLUSH PULL	100012	1

1.38 Adjustable Blade Guide Arm



HR700_120_B
509662_Manual

REF.	DESCRIPTION (◆ Indicates Parts Available In Assemblies Only)	PART #	QTY
-	ARM, ADJUSTABLE BLADE GUIDE - COMPLETE	506756	1
1	BOLT WELDMENT, ECCENTRIC	086508-1	4
2	WASHER, 17 FLAT ZINC	F81058-1	5
3	WASHER, 5/8" EXTERNAL STAR	F05011-26	4
4	NUT, 5/8"-18 HEX ZINC	F05010-11	12
5	WASHER, 5/8" INTERNAL STAR	F05011-25	8
-	ROLLER ASSEMBLY, V-GROOVE W/BEARING	093855	4
6	ROLLER, V-GROOVE ZINC-PLATED	093856-1	1
7	RING, W40 INSIDE RETAINING	F81090-3	1

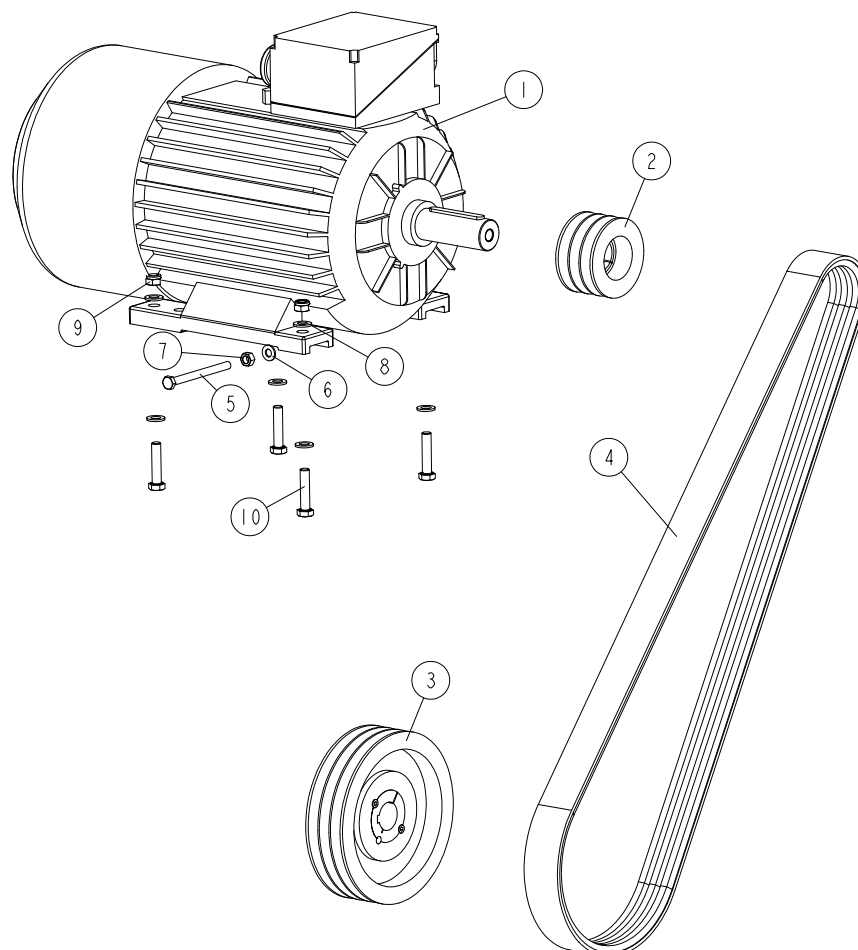
1 REPLACEMENT PARTS

Adjustable Blade Guide Arm

REF.	DESCRIPTION (◆ Indicates Parts Available In Assemblies Only)	PART #	QTY	
8	BEARING, 6203 2RSP6- 5/8 CX	095087	1	
9	ARM, BLADE GUIDE ZINC-PLATED	506757-1	1	
10	BRACKET, DETENT PIN MOUNT	099077-1	1	
11	WASHER, 8.4 FLAT ZINC	F81054-1	2	
12	BOLT, M8X20 8.8 HEX HEAD FULL THREAD ZINC	F81002-4	2	
13	PIN, 45308DNW DETENT	089939	1	
14	SCREW, M10x1x25 DIN 913 STAINLESS STEEL SET	F81015-4	3	
15	BOLT, M10X1X25 DIN 933 STAINLESS STEEL	F81003-28	1	
16	NUT, M10X1-04-ST-A2E ISO8675 THIN	F81033-10	4	
17	WASHER, Z 10.2 SPLIT LOCK ZINC	F81055-2	7	
18	SCREW, M10X25 8.8 HEX SOCKET HEAD CAP ZINC	F81003-32	2	
19	GUARD, BLADE	506761-1	1	
20	KNOB, M10 13870M10 CRANK HANDLE	089445	1	
21	WASHER, 10.5 FLAT ZINC	F81055-1	5	
22	BOLT, M10X40-8.8 HEX HEAD FULL THREAD ZINC	F81003-16	4	
23	BOLT, M10X35 8.8 HEX HEAD FULL THREAD ZINC	F81003-17	1	
24	BUSHING, 11/20-10 ZINC-PLATED	090936-1	4	
25	WASHER, 8.2 SPLIT LOCK ZINC	F81054-4	2	

1.39 E20 (Standard) & E25 (Option) Motors

506771_001
506771



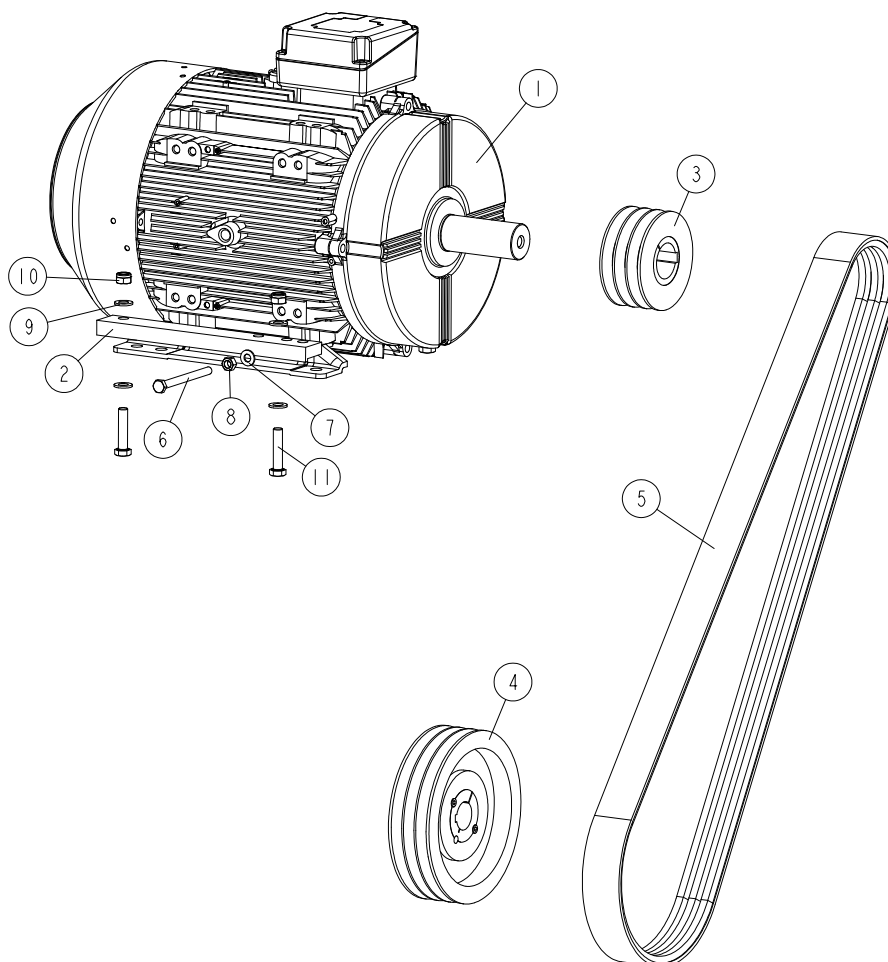
REF	DESCRIPTION (u indicates parts available in assemblies only)	PART #	QTY
-	MOTOR, E25 SHS/HR700 MAIN - COMPLETE	506771	1
-	MOTOR, E20 SHS/HR700 MAIN - COMPLETE	506772	0/1
1	MOTOR, PSG-160 L4 18,5KW + H-160+	508712	1/0
	MOTOR, 2SIE-160 L4 400 50HZ+H160 15KW 14	507317	0/1
2	PULLEY, PBT SPB3 100/42, (F02313+T31081)	506753	1
3	PULLEY, PBT SPB3 224/38, (F01876+T31124)	506755	1
4	V-BELT, KB RED POWER II 3SPB 2240 OPT TR	088993	1
5	BOLT, M10X120 8.8 HEX HEAD FULL THREAD Z	F81003-47	2
6	WASHER 10,5 ZC DIN 126 ISO 7091	F81055-1	2
7	NUT, M10-8-B HEX ZINC	F81033-3	2
8	WASHER, 13 FLAT ZINC	F81056-1	8
9	NUT, M12 8 HEX NYLON ZINC LOCK	F81034-2	4
10	BOLT, M12X55-8.8 HEX HEAD ZINC	F81004-12	4

1 REPLACEMENT PARTS

E25 Tamel (Option) Motor

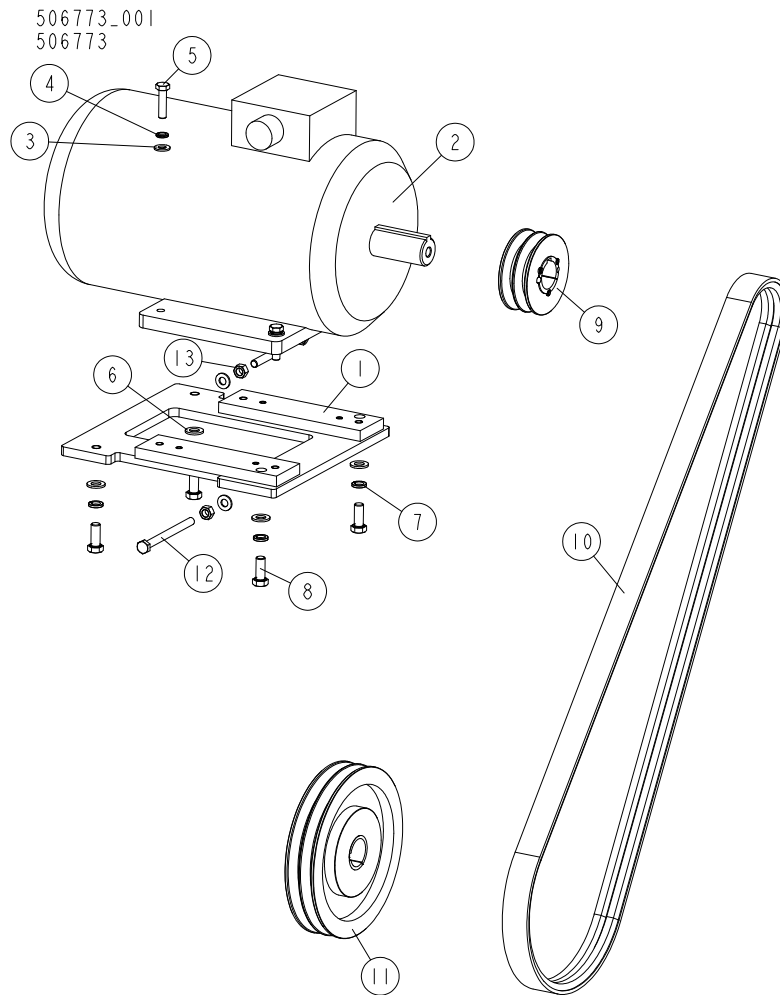
1.40 E25 Tamel (Option) Motor

506771-3_001
506771-3



REF	DESCRIPTION (u indicates parts available in assemblies only)	PART #	QTY
-	MOTOR, E25 SHS/HR700 MAIN- COMPLETE.	506771-3	1
1	MOTOR, TAMEL 18,5KW IE3	557222	1
2	PLATE, MILLED MOTOR	557138-1	2
3	PULLEY, SPB-3 D125 W/TAPER LOCK 2012/48	500326	1
4	PULLEY, PBT SPB3 224/38, (F01876+T31124)	506755	1
5	V-BELT, KB RED POWER II 3SPB2340 (OPTIBELT)	557223	1
6	BOLT, M10X120 8.8 HEX HEAD FULL THREAD Z	F81003-47	2
7	WASHER 10,5 ZC DIN 126 ISO 7091	F81055-1	2
8	NUT, M10-8-B HEX ZINC	F81033-3	2
9	WASHER, 13 FLAT ZINC	F81056-1	8
10	NUT, M12 8 HEX NYLON ZINC LOCK	F81034-2	4
11	BOLT, M12X55-8.8 HEX HEAD ZINC	F81004-12	4

1.41 E15 Motor Assembly (Option)

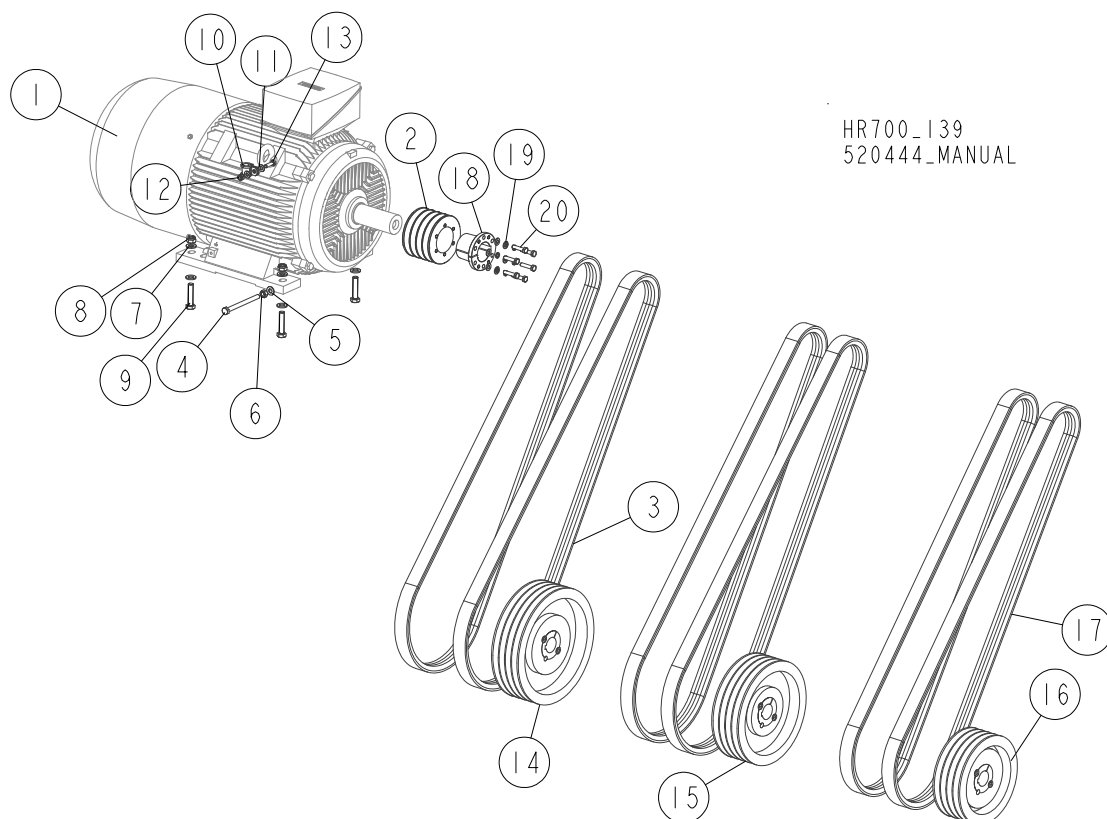


REF	DESCRIPTION (u indicates parts available in assemblies only)	PART #	QTY
-	MOTOR, E15 SHS/HR700 MAIN - COMPLETE	506773	1
1	PLATE, E15 HR-L MOTOR MOUNT	506774-1	1
2	MOTOR, SG132M-4PC-HM (11KW,1500 R.P.M.)	093219	1
3	WASHER 10,5 ZC DIN 126 ISO 7091	F81055-1	6
4	WASHER, 10.2 SPLIT LOCK ZINC	F81055-2	4
5	BOLT, M10X40-8.8 HEX HEAD FULL THREAD ZI	F81003-16	4
6	WASHER, 13 FLAT ZINC	F81056-1	4
7	WASHER, Z12.2 SPLIT LOCK ZINC	F81056-2	4
8	BOLT, M12X30-8.8 HEX HEAD FULL THREAD ZI	F81004-22	4
9	PULLEY, SPB-B-5VN100X2CGROOVES/N38(F0231	500176	1
10	V-BELT, KB RED POWER II 2SPB 2240 TRIPLE	507307	1
11	PULLEY, SPB-B-5VN224X2 GROOVES /N38 (F02	500177	1
12	BOLT, M10X120 8.8 HEX HEAD FULL THREAD Z	F81003-47	2
13	NUT, M10-8-B HEX ZINC	F81033-3	2

1 REPLACEMENT PARTS

E30 Motors, HR700 PRO

1.42 E30 Motors, HR700 PRO



HR700_139
520444_MANUAL

REF.	DESCRIPTION (◆ Indicates Parts Available In Assemblies Only)	PART #	QTY
	MOTOR, E30 HR700HD MAIN - COMPLETE UL Version	586252	1
	MOTOR, E30 HR700HD MAIN - COMPLETE	520448	1
1	MOTOR W/BRAKE 1LE1502-1EB43-4AA4-Z F01+F12.(22KW, 1465 R.P.M.)	093897	1
1	MOTOR 460V 60Hz 22kW -UL+brake	584028	1
2	PULLEY, SPECIAL SPB4 112,ZINC-PLATED	525306-1	1
3	BELT, RED POWER II 2SPB2360 (OPTIBELT).	520452	4
4	BOLT, M10X120-8.8 HEX HEAD ZINC	F81003-47	2
5	WASHER,10,5 FLAT ZINC	F81055-1	2
6	NUT, M10 8 HEX ZINC	F81033-3	2
7	WASHER, 13-FLAT ZINC	F81056-1	8
8	NUT, M12 8 HEX NYLON ZINC LOCK	F81034-2	4
9	BOLT, M12X55 8.8 HEX ZINC	F81004-43	4
10	CLAMP, RSGU 1.15/20 METAL&RUBBER	509701	1
11	WASHER, 8.4 FLAT ZINC	F81054-1	8
12	NUT, M8-8-B-HEX NYLON ZINC LOCK	F81032-2	1
13	BOLT, M8X25-8.8-B-HEX HEAD ZINC	F81002-5	1
14	PULLEY, SPB4 280/38, (F02371+T31138),(HABERKORN)	520447	1
15	PULLEY, SPB4 250/38, (F02366+T31138),(HABERKORN)	520438	1
16	PULLEY SPB4 212/38, (F02355+T31138),(HABERKORN)	520439	1

REPLACEMENT PARTS

E30 Motors, HR700 PRO

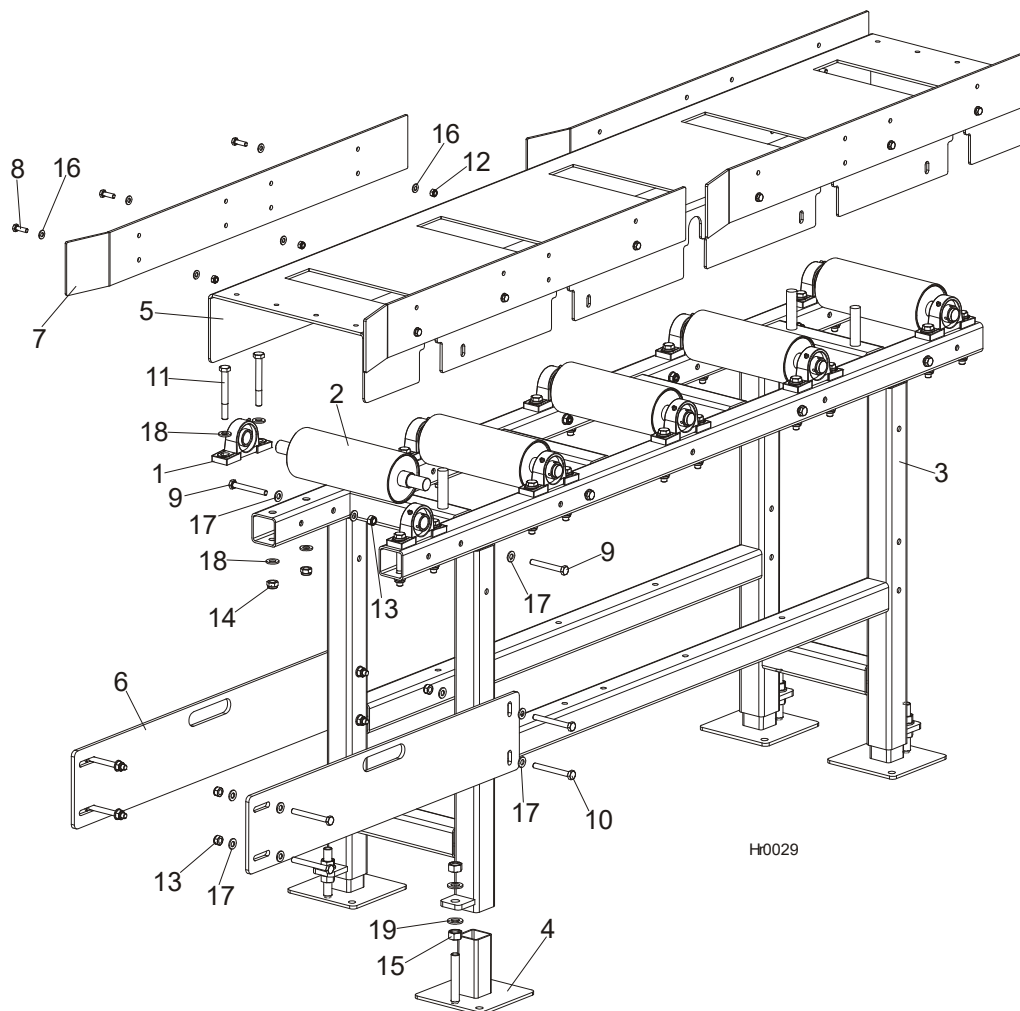
1

REF.	DESCRIPTION (◆ Indicates Parts Available In Assemblies Only)	PART #	QTY	
17	BELT, KB RED POWER II 2SPB2240 (OPTIBELT)	520451	2	
18	BUSHING, N48X92X60,TAPER ZINC-PLATED	525308-1	1	
19	WASHER, 8.2 SPLIT LOCK ZINC	F81054-4	6	
20	BOLT, M8X35-8.8-HEX HEAD FULL THREAD ZINC	F81002-13	6	

1 REPLACEMENT PARTS

Idle Roller Table, SLPIRT

1.43 Idle Roller Table, SLPIRT



REF.	DESCRIPTION (◆ Indicates Parts Available In Assemblies Only)	PART #	QTY
	HR IDLE ROLLER TABLE	SLPIRT	1
	IDLE RETURN TABLE - COMPLETE	099659	1
1	BEARING, UCP 205 CX W/HOUSING	088468	10
2	ROLLER, SVS FEED	098140-1	5
3	FRAME, SVS INFEED & OUTFEED TABLE	099168-1	1
4	FOOT ASSEMBLY, TABLE LEG	099281-1	4
5	PLATE, RETURN TABLE TOP	099686-1	1
6	PLATE, RETURN TABLE CONNECTION	099687-1	2
7	PLATE, GUIDE	099688-1	4
8	BOLT, M8x25-8.8-B HEX HEAD FULL THREAD ZINC	F81002-5	12
9	BOLT, M10x80-8.8 HEX HEAD ZINC	F81003-50	9
10	BOLT, M10x90-8.8-B HEX HEAD ZINC	F81003-66	8
11	BOLT, M12x100-8.8 HEX HEAD ZINC	F81004-3	20

REPLACEMENT PARTS

Idle Roller Table, SLPIRT

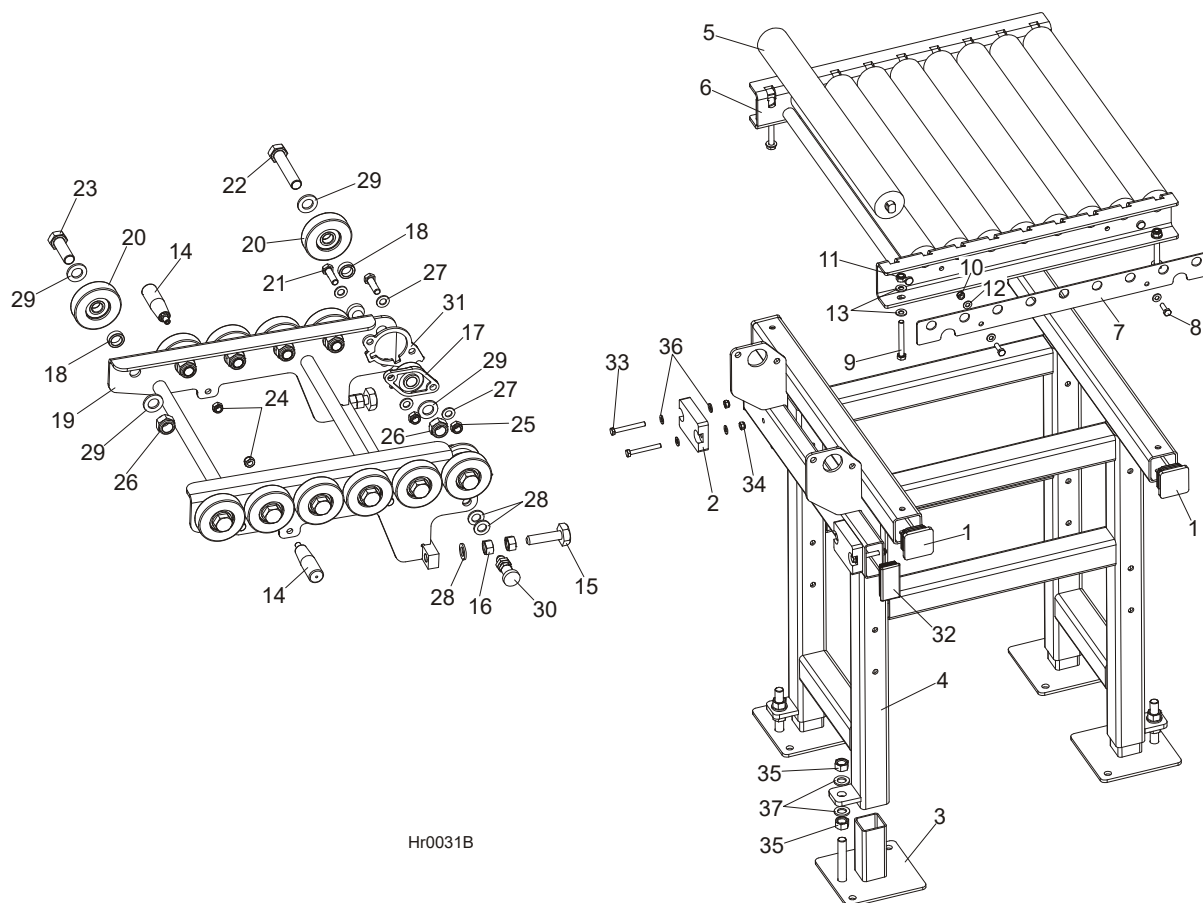
1

12	NUT, M8-8-B HEX NYLON ZINC LOCK	F81032-2	12	
13	NUT, M10-8-B HEX NYLON ZINC LOCK	F81033-1	17	
14	NUT, M12-8 HEX NYLON ZINC LOCK	F81034-2	20	
15	NUT, M16-5.8 HEX ZINC	F81036-1	8	
16	WASHER, 8.4 FLAT ZINC	F81054-1	23	
17	WASHER, 10.5 FLAT ZINC	F81055-1	34	
18	WASHER, 13 FLAT ZINC	F81056-1	40	
19	WASHER, 17 FLAT ZINC	F81058-1	8	

1 REPLACEMENT PARTS

Cross Roller Table, SLPCRT

1.44 Cross Roller Table, SLPCRT



REF.	DESCRIPTION (◆ Indicates Parts Available In Assemblies Only)	PART #	QTY
	HR CROSS ROLLER TABLE	SLPCRT	1
	COMPLETE CROSS RETURN TABLE	099648	1
1	CAP, 1540 DIA. OUTRIGGER LEG	089710	4
2	BUMPER, GRENE 70 3201 0010. SHR RUBBER	094969	2
3	FOOT ASSEMBLY, TABLE LEG	099281-1	4
4	FRAME WELDMENT, CROSS RETURN TABLE	099652-1	1
	TOP, 63.5X600 CROSS RETURN TABLE - COMPLETE	099656	1
5	ROLLER, 63.5/20X600/608/626 s=14 (EE15)	089044-1	9
6	BRACKET, 63.5X600 ROLLER MOUNTING	099649-1	1
7	PLATE, 63.5/20X600 ROLLER CLAMP	099650-1	2
8	BOLT, M8x25-8.8-B HEX HEAD FULL THREAD ZINC	F81002-5	4
9	BOLT, M10x80-8.8 HEX HEAD ZINC	F81003-50	4
10	NUT, M8-8-B HEX NYLON ZINC LOCK	F81032-2	4
11	NUT, M10-8-B HEX NYLON ZINC LOCK	F81033-1	4
12	WASHER, 8.4 FLAT ZINC	F81054-1	8
13	WASHER, 10.5 FLAT ZINC	F81055-1	8

REPLACEMENT PARTS

Cross Roller Table, SLPCRT

1

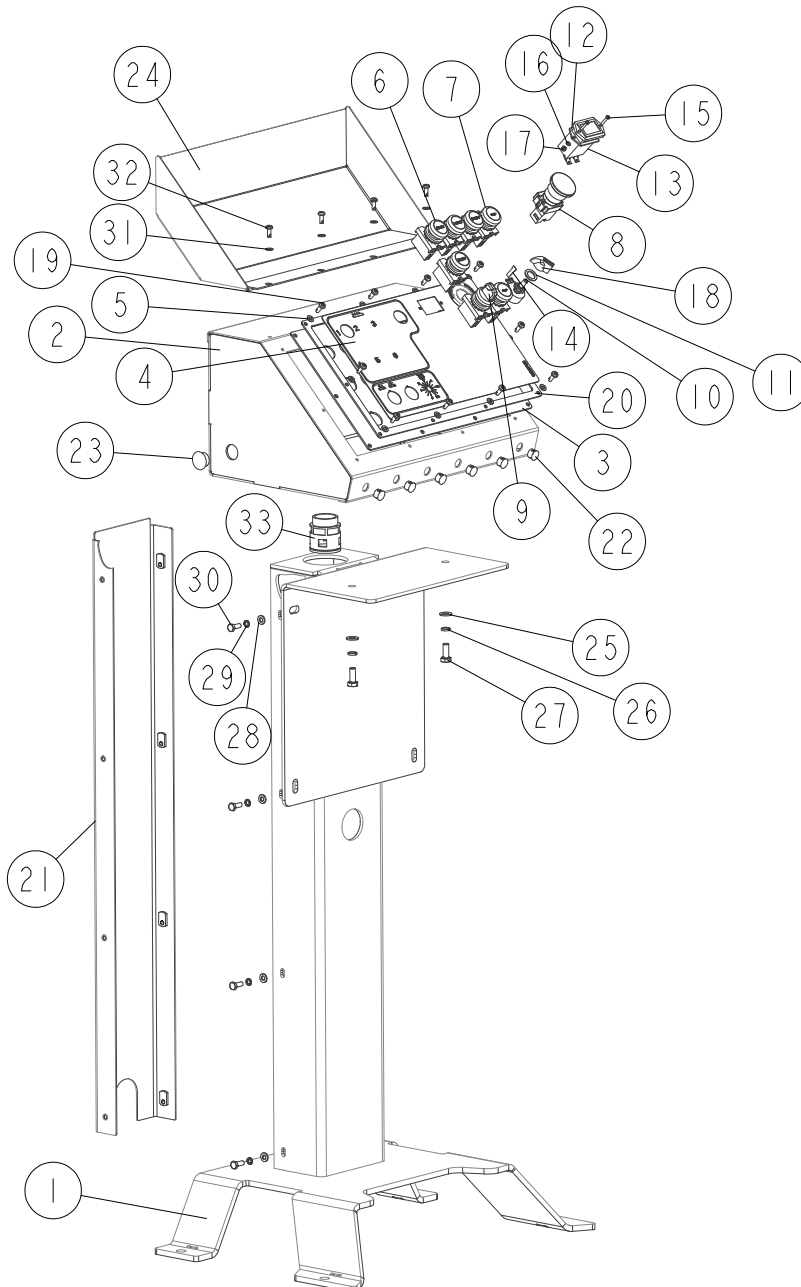
	ARM, OPENED W/RP-90 ROLLERS - COMPLETE	099679	1	
14	KNOB, PLASTIC CRANK HANDLE	086338	2	
	M16 BOLTS +2 NUTS	093710	2	
15	NUT, M16-5-B HEX	F81036-5	1	
16	BOLT, M16 BED RAIL ADJUSTMENT	086809	2	
17	BEARING, UCFL204 (COMPLEX) W/HOUSING	500060	2	
18	BUSHING, 21X30X10 ZINC-PLATED SPACER	099351-1	12	
19	ARM WELDMENT, OPENED	099680-1	1	
20	ROLLER, RP-90. 6304 POLYURETHANE	099689	12	
21	BOLT, M12x40-8.8 HEX HEAD ZINC	F81004-1	4	
22	BOLT, M20X100-8.8 HEX HEAD ZINC	F81007-6	2	
23	BOLT, M20X60-8.8 HEX HEAD ZINC	F81007-7	10	
24	NUT, M10-8-B HEX NYLON ZINC LOCK	F81033-1	2	
25	NUT, M12-8 HEX NYLON ZINC LOCK	F81034-2	4	
26	NUT, M20-8-A HEX NYLON ZINC LOCK	F81037-2	12	
27	WASHER, 13 FLAT ZINC	F81056-1	8	
28	WASHER, 17 FLAT ZINC	F81058-1	8	
29	WASHER, 21 FLAT ZINC	F81059-2	24	
30	PIN, 45308DNW DETENT	089939	2	
31	PLATE, OPENED ARM LOCK	503336-1	2	
32	CAP, 80x40 TUBE	099692	2	
33	BOLT, M8x65 8.8 HEX HEAD FULL THREAD ZINC	F81002-9	4	
34	NUT, M8-8-B HEX NYLON ZINC LOCK	F81032-2	4	
35	NUT, M16-5.8 HEX ZINC	F81036-1	8	
36	WASHER, 8.4 FLAT ZINC	F81054-1	8	
37	WASHER, 17 FLAT ZINC	F81058-1	8	

1 REPLACEMENT PARTS

Control Box, HR700 PRO

1.45 Control Box, HR700 PRO

HR700_142
520444_MANUAL



REPLACEMENT PARTS

Control Box, HR700 PRO

1

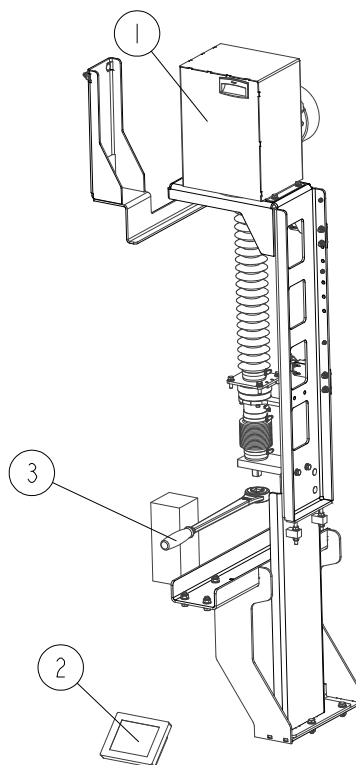
REF.	DESCRIPTION (◆ Indicates Parts Available In Assemblies Only)	PART #	QTY
	BOX, HR500/700-4 UL, CONTROL - COMPLETE	584030	1
	BOX, HR500/700-2 UL, CONTROL - COMPLETE	584029	1
-	BOX, HR500-4,700-4 CONTROL - COMPLETE	522766	1
1	PEDESTAL, CONTROL BOX	505555-1	1
2	BOX WELDMENT, TVS CONTROL	510061-1	1
	PANEL ASSEMBLY, HR500-4,700-4, CONTROL BOX FRONT	522767	1
3	PANEL, HR500/700-4 UL CONTROL BOX FRONT PANEL, HR500/700-2 UL CONTROL BOX FRONT PANEL, HR500/700 CONTROL BOX FRONT	584032 584031 521655-1	1
4	DECAL, HR500/700 CONTROL BOX	522759	1
5	WASHER, 5.3 FLAT ZINC	F81052-1	10
6	BUTTON, M22 24V ILLUMINATED START BUTTON, M22 24V ILLUMINATED START	536056 090925	4
7	BUTTON, M22 STOP BUTTON, M22 STOP - UL VERSION ONLY	090926 536060	2
8	BUTTON, XB4 BS542 EMERGENCY STOP BUTTON, XB4 BS542 EMERGENCY STOP - UL VERSION ONLY	086556 502315	1
9	SWITCH, M22 3-POSITION ILLUMINATED SWITCH, M22 3-POSITION ILLUMINATED - UL VERSION ONLY	091359 580054	1
10	POTENTIOMETER, 5K 53C35K	504389	1
11	WASHER, 1/2X3/4X1/16 NYLON	P05251-1	1
12	GASKET, HOUR METER	093346	1
13	METER, HOUR (HOBBS-HONEYWELL)	093166	1
14	ADAPTER, M22-XC-Y CODING	092687	1
15	SCREW, M3X16 5.8-B CROSS RECESSED PAN HEAD ZINC	F81028-3	2
16	WASHER, 3.2 FLAT ZINC	F81050-2	2
17	NUT, M3-6 HEX NYLON ZINC LOCK	F81028-2	2
18	KNOB, SPEED CONTROL	P06257	1
19	BOLT, #10-24X1/2 PH	F05015-17	10
20	GASKET, CONTROL BOX	097132	1
21	PLATE, PEDESTAL REAR	504499-1	1
22	CAP, DP 812 HEJMAN 12.7 DIA. HOLE	086773	6
23	CAP, SR1086 22.2 HOLE	093544	2
24	COVER, CONTROL BOX - COMPLETE	097135-1	1
25	WASHER, 8.4 FLAT ZINC	F81054-1	2
26	WASHER, 8.2 SPLIT LOCK ZINC	F81054-4	2
27	BOLT, M8X20 8.8 HEX HEAD FULL THREAD ZINC	F81002-4	2
28	WASHER, 6.4 FLAT ZINC	F81053-1	8
29	WASHER, Z 6.1 SPLIT LOCK ZINC	F81053-3	8
30	BOLT, M6X16-8.8 HEX HEAD FULL THREAD ZINC	F81001-15	8
31	WASHER, 5.3 FLAT ZINC	F81052-1	4
32	BOLT, #10-24X1/2 PH	F05015-17	4
33	GLAND, KCLICK-GP29 RILL 29 CONDUIT	086576	1

1 REPLACEMENT PARTS

Multisetwork

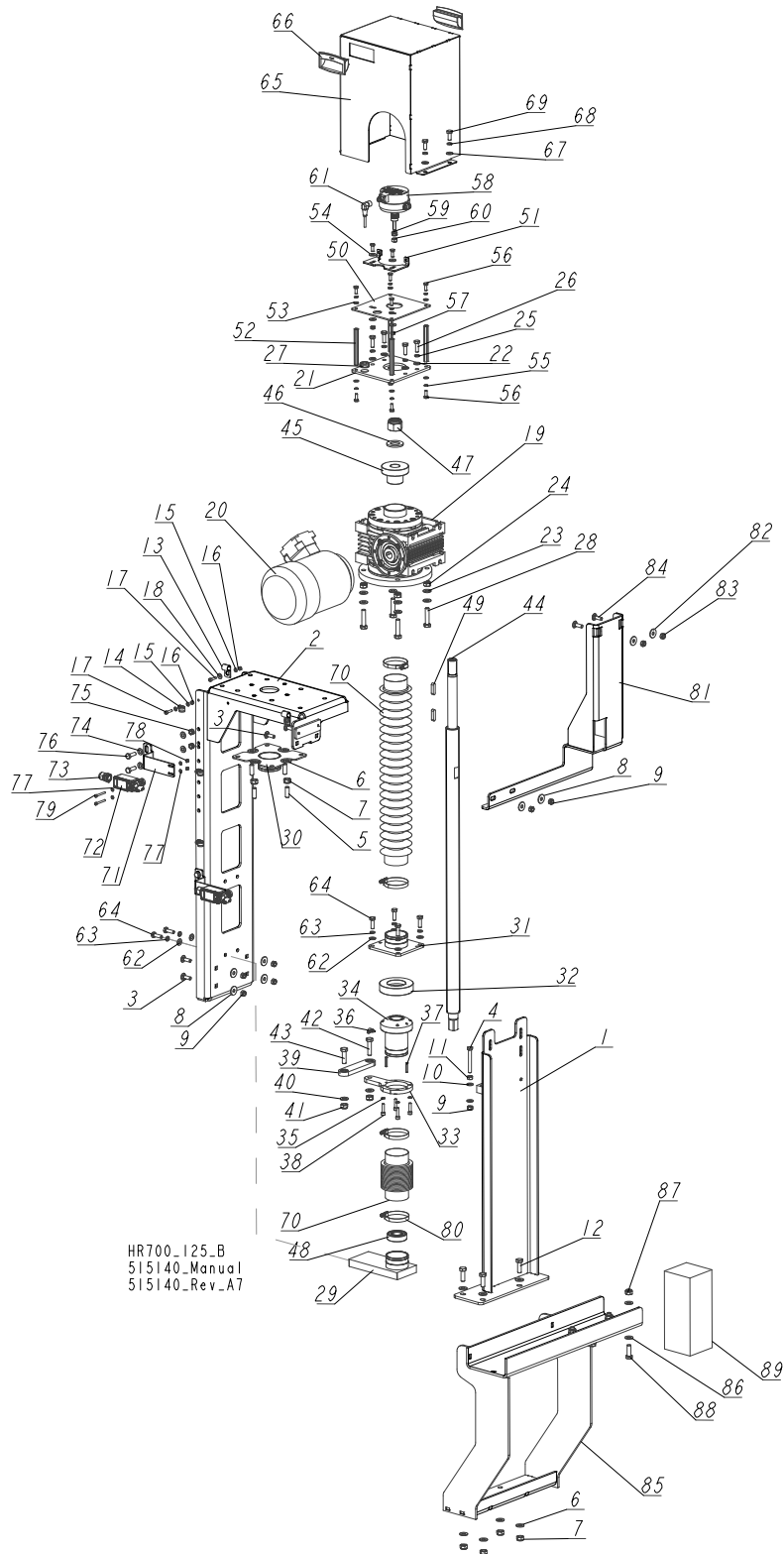
1.46 Multisetwork

511869_001
511869_Manual



REF.	DESCRIPTION (◆ Indicates Parts Available In Assemblies Only)	PART #	QTY					
	MULTISETWORK, HR700-1	511869	x	-	-	-	-	-
	MULTISETWORK, HR700-2	511870	-	x	-	-	-	-
	MULTISETWORK, HR700-2 - UL	588205						
	MULTISETWORK, HR700-3	511871	-	-	x	-	-	-
	MULTISETWORK, HR700-4	511872	-	-	-	x	-	-
	MULTISETWORK, HR700-4 - UL	588206						
	MULTISETWORK, HR700-5	511873	-	-	-	-	x	-
	MULTISETWORK, HR700-6	511874	-	-	-	-	-	x
1	DRIVE ASSEMBLY, HR700 UP/DOWN UL Version See Section 1.47	586251	1	2	3	4	5	6
1	DRIVE ASSEMBLY, HR700 UP/DOWN See Section 1.47	515140	1	2	3	4	5	6
2	SCREEN, HMISTU855 TOUCH	508978	1	1	1	1	1	1
3	WRENCH, 3/4" RATCHET	507312	1	1	1	1	1	1

1.47 Up/Down Drive Assembly, HR700 (Optional)



HR700_125-B
515140_Manual
515140_Rev_A7

1

REPLACEMENT PARTS

Up/Down Drive Assembly, HR700 (Optional)

REF.	DESCRIPTION (◆ Indicates Parts Available In Assemblies Only)	PART #	QTY
	DRIVE ASSEMBLY, HR700 UL UP/DOWN SCREW	586251	1
	DRIVE ASSEMBLY, HR700 UP/DOWN SCREW	515140	1
	BRACKET, HR700 UP/DOWN DRIVE SUPPORT - COMPLETE	515139	1
1	BRACKET, HR700 UP/DOWN DRIVE SUPPORT - LOWER	514911-1	1
2	BRACKET, HR700/SHS UP/DOWN DRIVE SUPPORT - UPPER	515155-1	1
3	BOLT, M8X25-8.8 CARRIAGE HEAD ZINC	F81002-59	6
4	BOLT, M8X65 8.8 HEX HEAD FULL THREAD ZINC	F81002-9	2
5	SCREW, M10X30-33H-GEOMET SET	F81003-35	4
6	WASHER, 10.5 FLAT ZINC	F81055-1	12
7	NUT, M10-8-B HEX NYLON ZINC LOCK	F81033-1	8
8	WASHER, ISO 7093-1-8-200 HV-A2E	F81054-11	6
9	NUT, M8-8-B HEX NYLON ZINC LOCK	F81032-2	8
10	WASHER, 8.4 FLAT ZINC	F81054-1	4
11	NUT, M8-8-B HEX ZINC	F81032-1	2
12	BOLT, M10X30 5.8 HEX HEAD FULL THREAD ZINC	F81003-2	4
13	CLAMP, 1/2" EMT COATED	P07584	2
14	CLAMP, RSGU 1.10/12W1 METAL & RUBBER	086861	3
15	WASHER, 5.3 FLAT ZINC	F81052-1	8
16	NUT, M5-8 DIN985 ZINC-PLATED	F81030-2	5
17	SCREW, M5X20 8.8 HEX SOCKET HEAD CAP ZINC	F81000-72	5
18	WASHER, 5.5 SPECIAL FLAT ZINC	F81052-3	2
	REDUCER, MRP-63 SHS/HR700 UP/DOWN DRIVE - COMPLETE	515157	1
	REDUCER, MRP-63/16[0.75-1400-120/19]-WMI-[S3=60%]-B/SO/K2/B6	514932-UL	1
19	REDUCER, MRP-63/16 [120/19]SO/K2/B6	514933	1
20	MOTOR, SKH 80-4B2/3045 (N=0.75 kW, N=1380 r.p.m.) INDUCTION	514934-UL	1
21	PLATE, ENCODER MOUNT	515149-1	1
22	WASHER, 8.4 FLAT ZINC	F81054-1	4
23	WASHER, 10.5 FLAT ZINC	F81055-1	8
24	NUT, M10-8-B HEX NYLON ZINC LOCK	F81033-1	4
25	WASHER, 8.2 SPLIT LOCK ZINC	F81054-4	4
26	BOLT, M8X25-8.8-B HEX HEAD FULL THREAD ZINC	F81002-5	4
27	GROMMET, 20/13 RUBBER	086188	1
28	BOLT, M10X45 HEX HEAD FULL THREAD ZINC	F81003-3	4
29	BRACKET, UP/DOWN SCREW BELLOWS - LOWER	514935-1	1
30	BRACKET, UP/DOWN SCREW BELLOWS - UPPER	514915-1	1
31	BRACKET, UP/DOWN SCREW BELLOWS - MIDDLE	514919-1	1
32	WASHER, 90X50X20 SPHERICAL ZINC-PLATED SEAT	514898-1	1
	NUT, TR36X3 UP/DOWN SCREW - COMPLETE	515138	1
33	PLATE, TR36X3 NUT SEAT	515143-1	1
34	NUT, TR36X3 ACME SCREW	514899	1
35	WASHER, Z6.1 SPLIT LOCK ZINC	F81053-3	4
36	FITTING, M6 PN/M-86003 GREASE	094213	1
37	PIN, 5X26 ROLL ZINC	F81044-2	2
38	SCREW, M6X25-8.8 HEX SOCKET HEAD CAP ZINC	F81001-41	4
39	LINK, SBPL 10104 PIVOTAL (COMPLEX)	097700	1

REPLACEMENT PARTS

Up/Down Drive Assembly, HR700 (Optional)

1

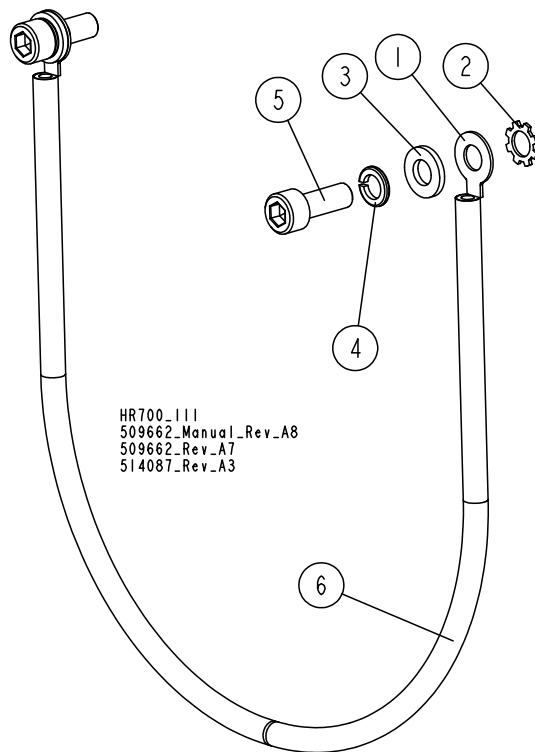
REF.	DESCRIPTION (◆ Indicates Parts Available In Assemblies Only)	PART #	QTY
40	WASHER, 10.5 FLAT ZINC	F81055-1	2
41	NUT, M10-8-B HEX NYLON ZINC LOCK	F81033-1	2
42	BOLT, M10X40-8.8 HEX HEAD FULL THREAD ZINC	F81003-16	1
43	BOLT, M10X35 8.8 HEX HEAD FULL THREAD ZINC	F81003-17	1
44	SCREW, TR36X3 ACME ZINC-PLATED	515145-1	1
45	CAP, MRP-63 MOTOREDUCER ZINC-PLATED	515144-1	1
46	WASHER, 25 FLAT ZINC	F81061-3	1
47	NUT, M24X2 PN-EN ISO 7040 NYLON	F81039-10	1
48	BEARING, 6205 2RSR P6 (FAG,NSK,SKF) BALL	087353	1
49	KEY, A8X7X32 PARALLEL	088564	2
	ENCODER ASSEMBLY, SHS/HR700	515147	1
50	PLATE, ENCODER MOUNT	515148-1	1
51	BRACKET, ENCODER	507372-1	1
52	SPACER, M6X100- BN3319 (BOSSARD)	F81031-10	4
53	WASHER, 6.4 FLAT ZINC	F81053-1	8
54	WASHER, 6.5 SPECIAL FLAT ZINC	F81053-11	4
55	WASHER, Z 6.1 SPLIT LOCK ZINC	F81053-3	8
56	BOLT, M6X16-8.8 HEX HEAD FULL THREAD ZINC	F81001-15	10
57	NUT, M6-8-B HEX NYLON ZINC LOCK	F81031-2	2
58	ENCODER, 48 IMP./TURN 12V DC INCREMENTAL	510285	1
59	NUT, M8 8 HEX NYLON ZINC LOCK	F81032-2	1
60	NUT, M8-8-B HEX ZINC	F81032-1	1
61	CABLE, 5M LIMIT SWITCH	087652	1
62	WASHER, 8.4 FLAT ZINC	F81054-1	6
63	WASHER, 8.2 SPLIT LOCK ZINC	F81054-4	7
64	BOLT, M8X25-8.8-B HEX HEAD FULL THREAD ZINC	F81002-5	6
	GUARD, SHS/HR700 UP/DOWN DRIVE - COMPLETE	515151	1
65	GUARD, SHS/HR700 UP/DOWN DRIVE	515152-1	1
66	HANDLE, EPR.90-PF-C1(261051-C1) SNAP-IN FLUSH PULL	100012	2
67	WASHER, 8.4 FLAT ZINC	F81054-1	4
68	WASHER, 8.2 SPLIT LOCK ZINC	F81054-4	4
69	BOLT, M8X20 8.8 HEX HEAD FULL THREAD ZINC	F81002-4	4
70	BELLOWS, 60/520 PROTECTIVE	514918	2
	LIMIT SWITCH ASSEMBLY	515141	2
71	BRACKET, LIMIT SWITCH MOUNT	515142-1	1
72	SWITCH, GLCB01A1B LIMIT	100931	1
73	GLAND, DP9/H CABLE	F81096-2	1
74	WASHER, 8.4 FLAT ZINC	F81054-1	4
75	NUT, M8 8 HEX NYLON ZINC LOCK	F81032-2	2
76	BOLT, M8X25-8.8-B HEX HEAD FULL THREAD ZINC	F81002-5	2
77	WASHER, 4.3 FLAT ZINC	F81051-2	4
78	NUT, M4-8 HEX NYLON ZINC LOCK	F81029-1	2
79	SCREW, M4X35 8.8 HEX SOCKET HEAD CAP ZINC	F81011-34	2
80	CLAMP, 50-70 DIN 3017 WORM	F81095-6	4
	BRACKET ASSEMBLY, HR700 UP/DOWN DRIVE TRANSPORT - UPPER	515163	1

1

REPLACEMENT PARTS*Up/Down Drive Assembly, HR700 (Optional)*

REF.	DESCRIPTION (◆ Indicates Parts Available In Assemblies Only)	PART #	QTY	
81	BRACKET, HR700 UP/DOWN DRIVE TRANSPORT - UPPER	515164-1	1	
82	WASHER, ISO 7093-1-8-200 HV-A2E	F81054-11	2	
83	NUT, M8-8-B HEX NYLON ZINC LOCK	F81032-2	2	
84	BOLT, M8X25-8.8 CARRIAGE HEAD ZINC	F81002-59	2	
	BRACKET ASSEMBLY, HR700 UP/DOWN DRIVE TRANSPORT - LOWER	515159	1	
85	BRACKET, HR700 UP/DOWN DRIVE TRANSPORT - LOWER	515160-1	1	
86	WASHER, 10.5 FLAT ZINC	F81055-1	8	
87	NUT, M10-8-B HEX NYLON ZINC LOCK	F81033-1	4	
88	BOLT, M10X30 5.8 HEX HEAD FULL THREAD ZINC	F81003-2	4	
89	BLOCK, HR700 SAW HEAD TRANSPORT SUPPORT	514382	1	

1.48 Ground Cable

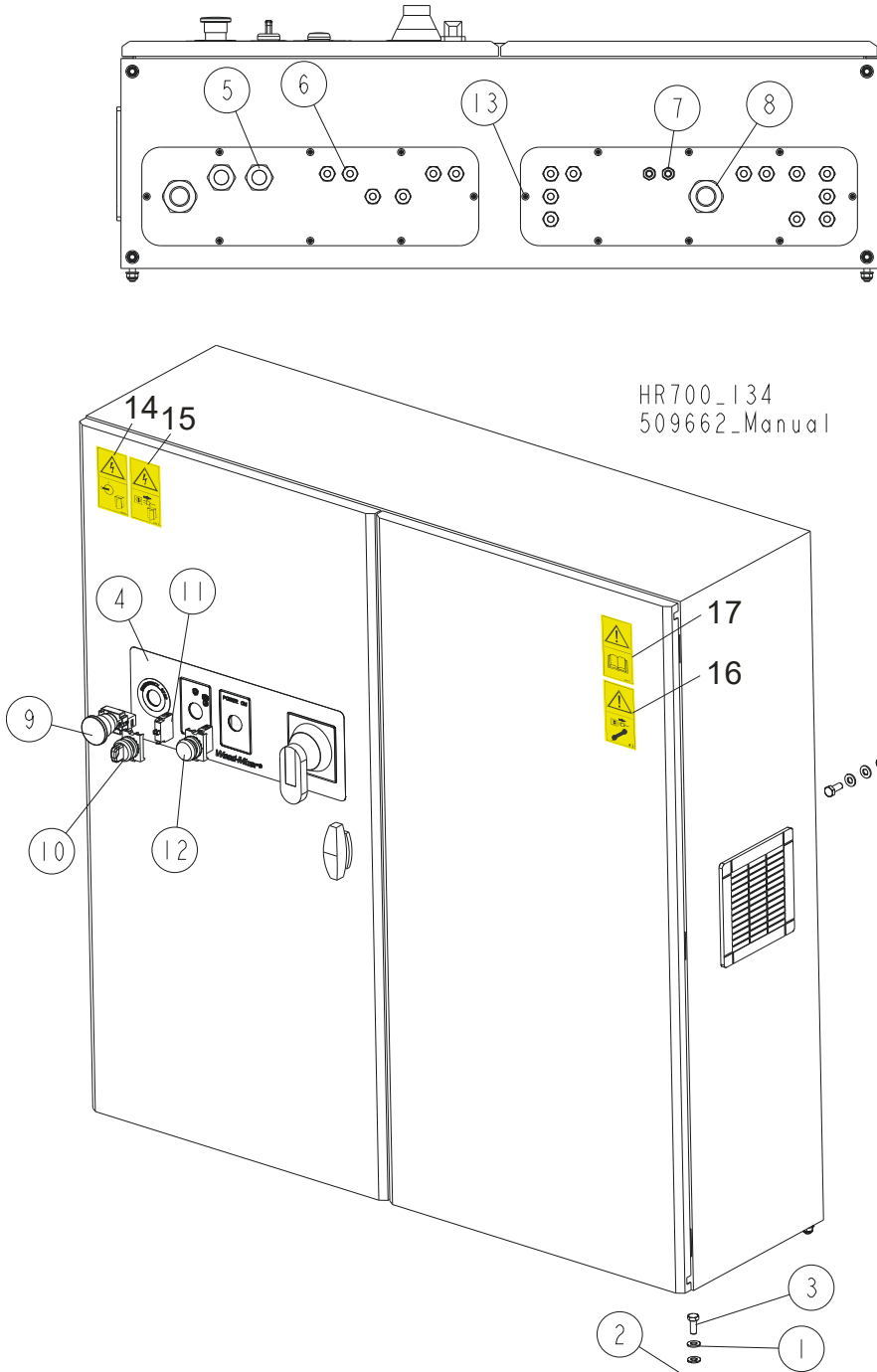


REF.	DESCRIPTION (◆ Indicates Parts Available In Assemblies Only)	PART #	QTY
	CABLE, COMPLETE GROUND UL VERSION	514087-UL	
	CABLE, COMPLETE GROUND	514087	1
1	TERMINAL, 1/4 14-16GA RING NI LOOSE	F81065-1	2
2	WASHER, 6.4 FE/ZN5 SERRATED LOCK EXTERNAL TEETH	F81053-2	2
3	WASHER, 6.4 FLAT ZINC	F81053-1	2
4	WASHER, Z 6.1 SPLIT LOCK	F81053-3	2
5	SCREW, M6X16 8.8 HEX SOCKET HEAD CAP ZINC	F81001-21	2
6	CABLE, GROUND	R80587-3_400	1

1 REPLACEMENT PARTS

Electric Boxes

1.49 Electric Boxes



REF.	DESCRIPTION (◆ Indicates Parts Available In Assemblies Only)	PART #	QTY
1	WASHER, 8.4 FLAT ZINC	F81054-1	12
2	NUT, M8 8 HEX NYLON ZINC LOCK	F81032-2	6
3	BOLT, M8X20 8.8 HEX HEAD FULL THREAD ZINC	F81002-4	6
	BOX, 1000X1000X300 HR500-2/HR700-2 ELECTRIC	515221	1/0/0/0/0
	BOX, 1000X1000X300 HR500-2/HR700-2 ELECTRIC	515222	0/1/0/0/0
	BOX, 1000X1000X300 HR500-2/HR700-2 ELECTRIC	515223	0/0/1/0/0

REPLACEMENT PARTS

Electric Boxes

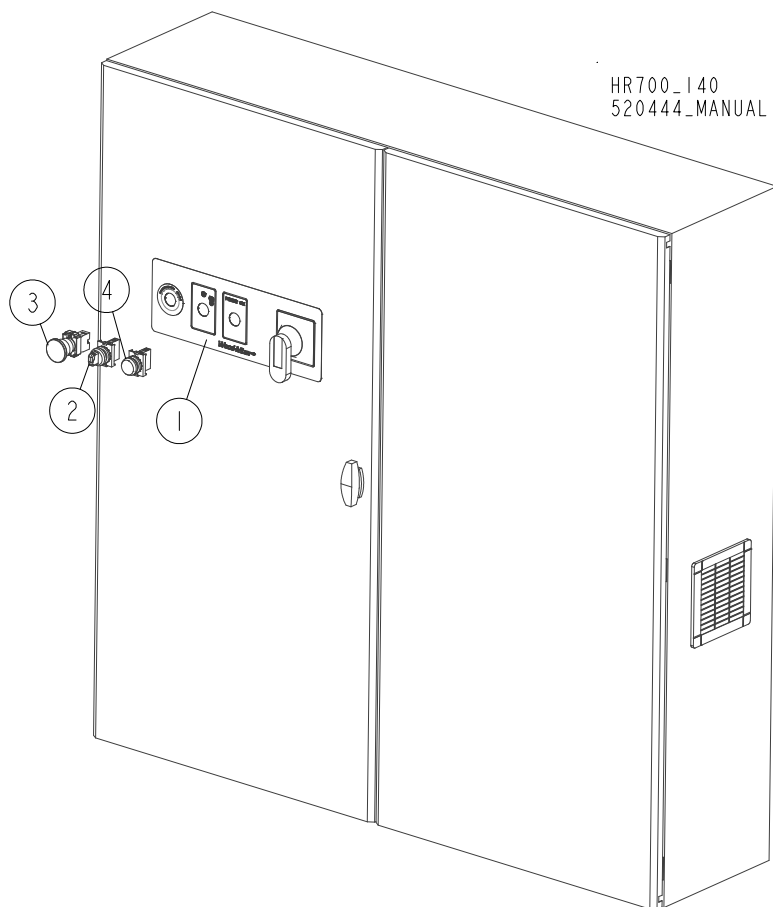
1

REF.	DESCRIPTION (◆ Indicates Parts Available In Assemblies Only)	PART #	QTY	
	BOX, 1000X1000X300 HR500-2/HR700-2 ELECTRIC	515224	0/0/0/1/0/0	
	BOX, 1000X1000X300 HR500-2/HR700-2 ELECTRIC	515225	0/0/0/0/1/0	
	BOX, 1000X1000X300 HR500-2/HR700-2 ELECTRIC	515226	0/0/0/0/0/1	
4	DECAL, 1000X1000X300 HR500/700 ELECTRIC BOX	515227	1	
5	GLAND, DP21/H CABLE	F81096-3	1/2/3/4/5/6	
6	GLAND, DP9/H CABLE	F81096-2	11/17/23/27/33/38	
7	GLAND, DP 7/H CABLE	F81096-11	1/2/3/4/5/6	
8	GLAND, PG29 CABLE	F81096-1	2	
9	BUTTON, XB4 BS542 EMERGENCY STOP	086556	1	
10	SWITCH, 3-POSITION MOELLER GREEN	091359	1	
11	ELEMENT, M22 K10 MOELLER CONTACT	091362	1	
12	LIGHT, 1SFA619402L5415 WHITE CONTROL	509129	1	
13	BOLT, #10-24X1/2 PH PAN HEAD, TYPE 23	F05015-17	16	
14	DECAL, HAZARDOUS VOLTAGE INSIDE THE ELECTRIC BOX (PICTOGRAM)	096316	1	
15	DECAL, REMOVE THE PLUG BEFORE OPENING THE ELECTRIC BOX (PICTOGRAM)	096319	1	
16	DECAL, DISCONNECT POWER SUPPLY BEFORE SERVICING (PICTOGRAM)	098177	1	
17	DECAL, READ THE OPERATOR'S MANUAL (PICTOGRAM)	096317	1	

1 REPLACEMENT PARTS

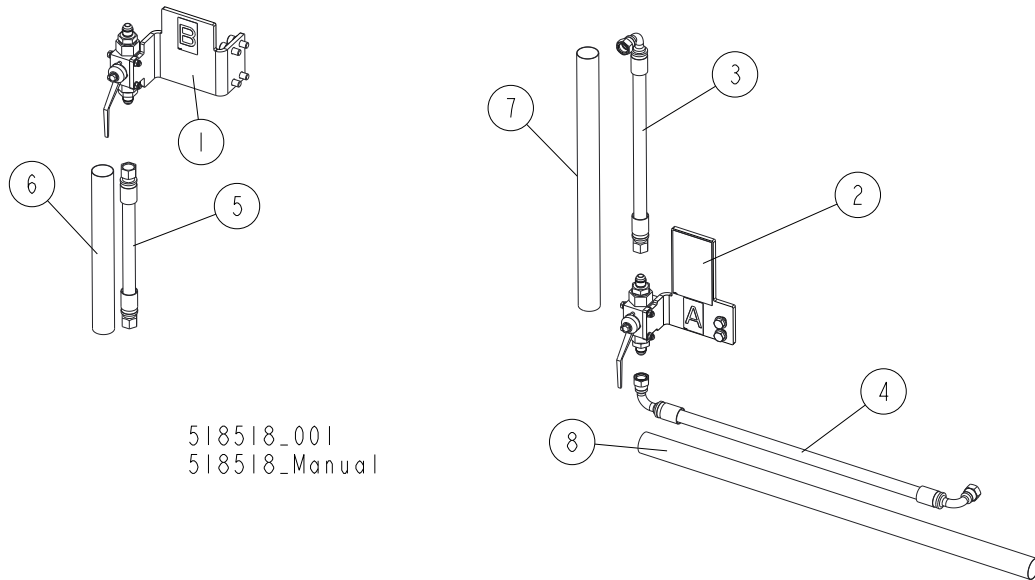
Electric Boxes, HR700 PRO

1.50 Electric Boxes, HR700 PRO



REF.	DESCRIPTION (◆ Indicates Parts Available In Assemblies Only)	PART #	QTY
	ELECTRIC BOX, 1200X1200X300-HR700-4HD.	521096	1
1	DECAL, 1000X1000X300, HR500,700. ELECTRIC BOX	515227	1
2	SWITCH, MOELLER 3-POSITION GREEN	091359	1
3	BUTTON, XB4 BS542 EMERGENCY STOP	086556	1
4	CONTROL LIGHT, M22 BLUE LED 24V	090448	1

1.51 Single Blade Tension Assembly (Optional for non-CE Markets)



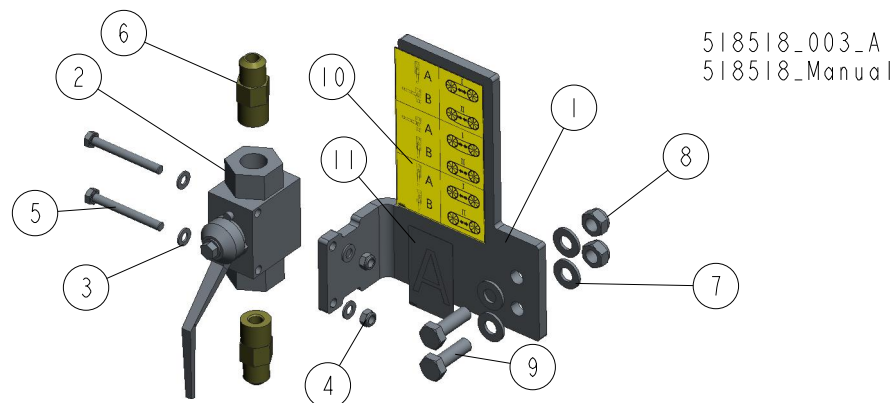
REF.	DESCRIPTION (◆ Indicates Parts Available In Assemblies Only)	PART #	QTY
	SINGLE BLADE TENSION ASSEMBLY (HR500/700, USA)	518518	1
1	VALVE, OIL FLOW CONTROL - COMPLETE (FOR SECOND SAW HEAD) See Section 1.53	518515	1
2	VALVE, OIL FLOW CONTROL - COMPLETE (FOR FIRST SAW HEAD) See Section 1.52	518516	1
3	HOSE, PHD 2T3/8X0.27 90W9/16UNF-W9/16UNF HYDRAULIC	506736	1
4	HOSE, PHD 2T3/8X0.43 90W9/16UNF-90W9/16UNF HYDRAULIC	506737	1
5	HOSE, PHD 2T3/8X0.45 W9/16UNF-W9/16UNF HYDRAULIC	518552	1
6	SLEEVE, VERTICAL HOSE PROTECTION	098489	1
7	SLEEVE, VERTICAL HOSE PROTECTION	508713	1
8	SLEEVE, OBLIQUE HOSE PROTECTION	508714	1

1

REPLACEMENT PARTS

Oil Flow Control Valve (Optional for First Saw Head)

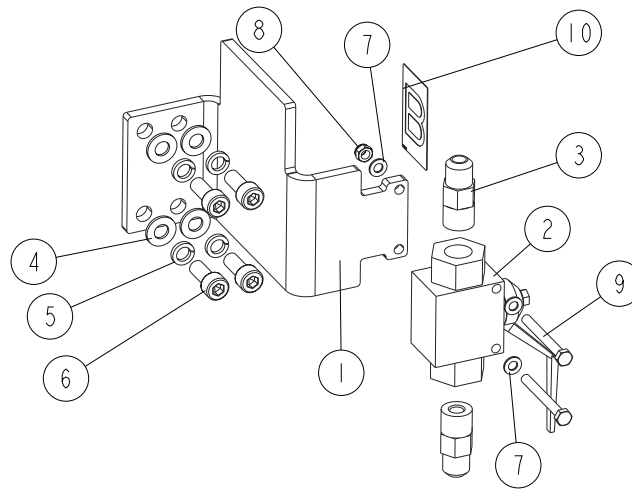
1.52 Oil Flow Control Valve (Optional for First Saw Head)



REF.	DESCRIPTION (◆ Indicates Parts Available In Assemblies Only)	PART #	QTY
	VALVE, OIL FLOW CONTROL - COMPLETE (FOR FIRST SAW HEAD)	518516	1
1	BRACKET, RSAP2V02FF 3/8G VALVE MOUNT	518517-1	1
2	VALVE, PN 500 RSAP2V02FF 3/8" G DN10 BALL	502056	1
3	WASHER, 5.3 FLAT ZINC	F81052-1	4
4	NUT, M5-8 DIN985 ZINC-PLATED	F81030-2	2
5	BOLT, M5x45 DIN933-A2-70 STAINLESS STEEL	F81000-22	2
6	FITTING, BSP-JIC 3/8"-9/16" STRAIGHT	091842	2
7	WASHER, 8.4 FLAT ZINC	F81054-1	4
8	NUT, M8 8 HEX NYLON ZINC LOCK	F81032-2	2
9	BOLT, M8x25-8.8-B HEX HEAD FULL THREAD ZINC	F81002-5	2
10	DECAL, SINGLE BLADE TENSION ASSEMBLY	518900 ¹	1
11	DECAL A, SINGLE BLADE TENSION ASSEMBLY	518901 ¹	1

¹ Decals belongs to 520500 decals kit.

1.53 Oil Flow Control Valve (Optional for Second Saw Head)

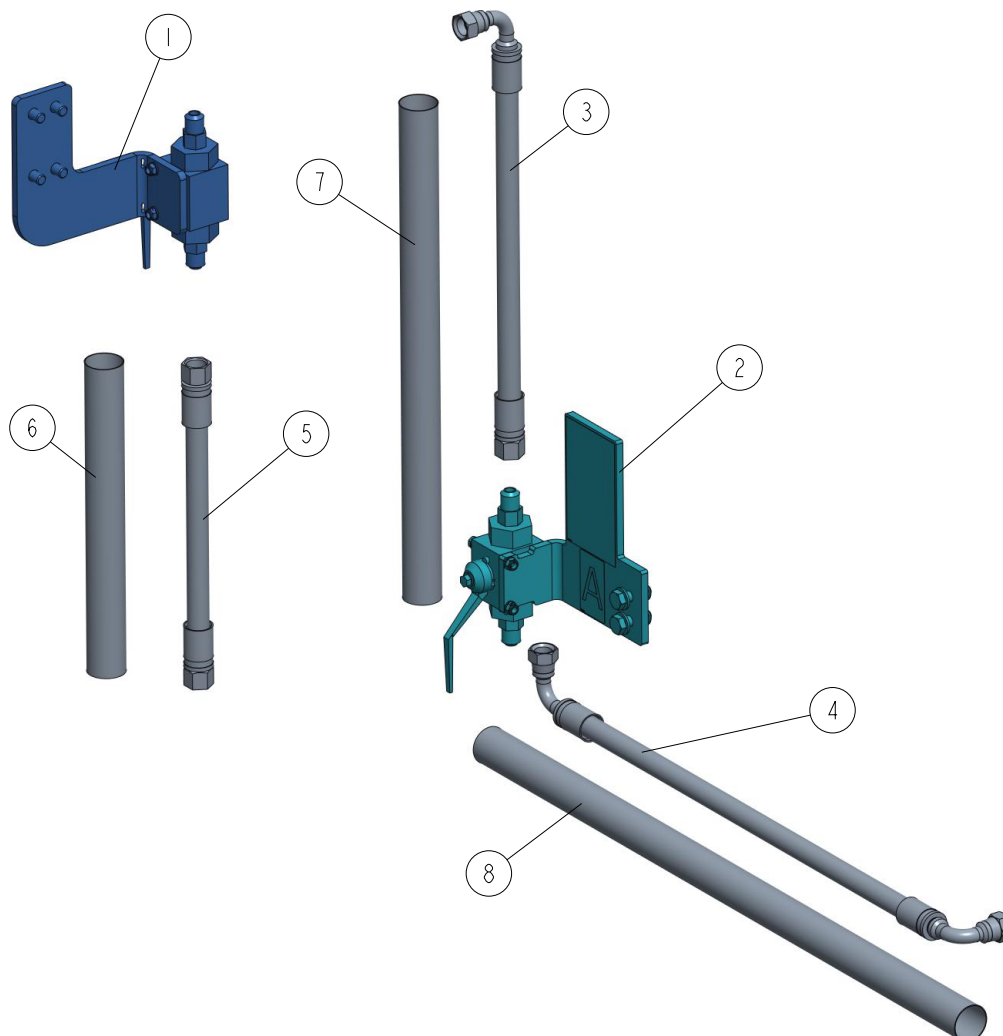


518518_002_A
518518_Manual

REF.	DESCRIPTION (◆ Indicates Parts Available In Assemblies Only)	PART #	QTY
	VALVE, OIL FLOW CONTROL - COMPLETE (FOR SECOND SAW HEAD)	518515	1
1	BRACKET, RSAP2VO2FF G3/8 VALVE MOUNT	518840-1	1
2	VALVE, PN 500 RSAP2VO2FF 3/8" G DN10 BALL	502056	1
3	FITTING, BSP-JIC 3/8"-9/16" STRAIGHT	091842	2
4	WASHER, 8.4 FLAT ZINC	F81054-1	4
5	WASHER, 8.2 SPLIT LOCK ZINC	F81054-4	4
6	SCREW, M8x20-8.8 HEX SOCKET HEAD CAP ZINC	F81002-30	4
7	WASHER, 5.3 FLAT ZINC	F81052-1	4
8	NUT, M5-8 DIN985 ZINC-PLATED	F81030-2	2
9	BOLT, M5x45 DIN933-A2-70 STAINLESS STEEL	F81000-22	2
10	DECAL B, SINGLE BLADE TENSION ASSEMBLY	518902 ¹	1

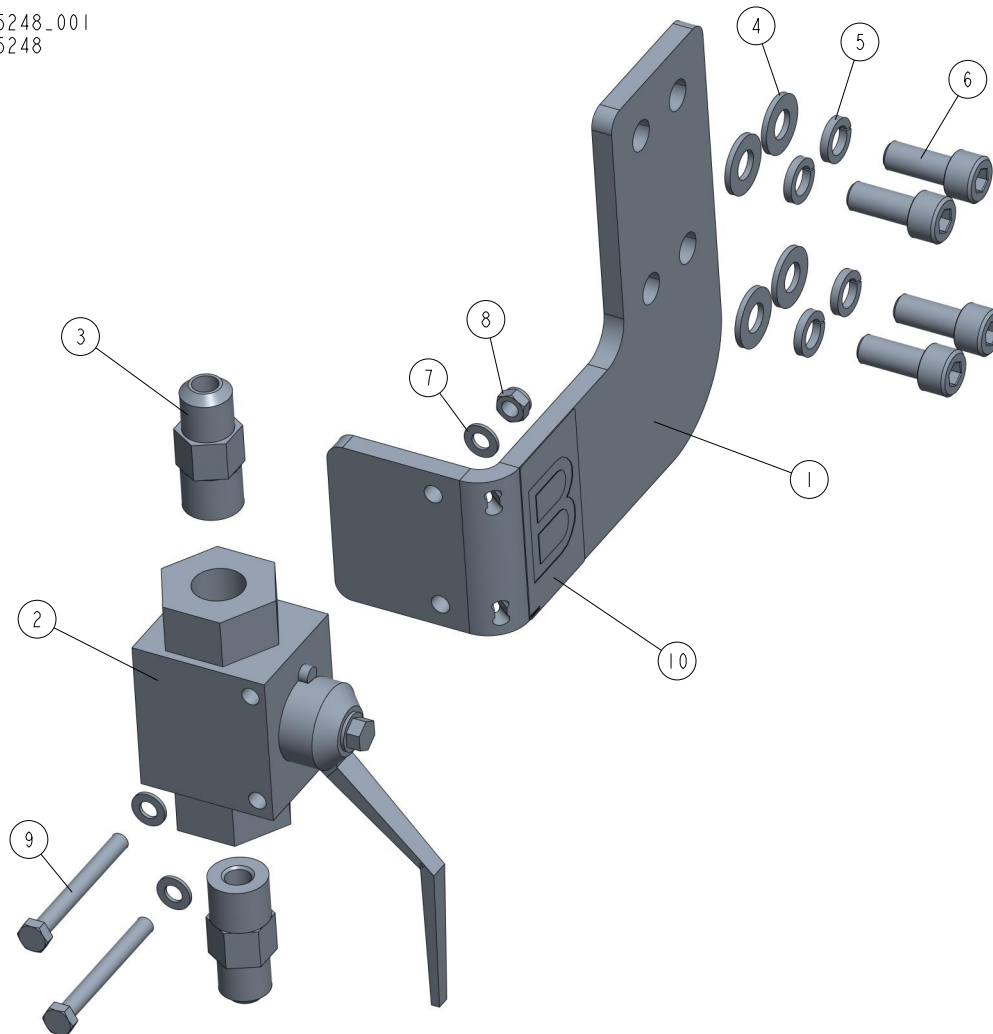
¹ Decal belongs to 520500 decals kit.

1.54 Blade Tension Assembly (For 6-head versions only) 595249

595249_001
595249

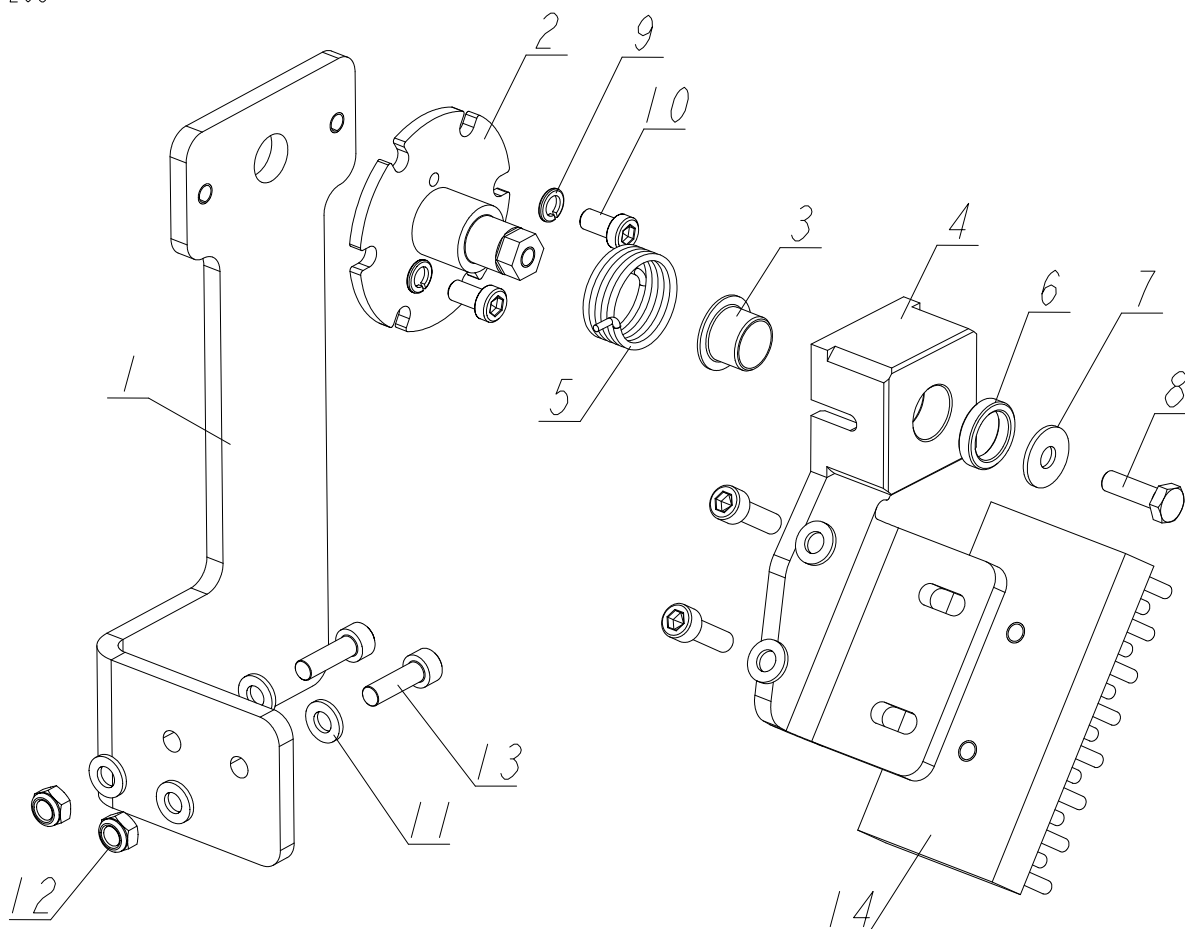
REF	DESCRIPTION (◆ indicates parts available in assemblies only)	PART #	QTY
-	SINGLE BLADE TENSION ASSEMBLY (HR500,700), USA	595249	1
1	VALVE, OIL FLOW CONTROL - COMPLETE (FOR SECOND SAW HEAD) See Section 1.55	595248	1
2	VALVE, OIL FLOW CONTROL - COMPLETE (FOR FIRST SAW HEAD) See Section 1.53	518516	1
3	HOSE, PHD 2T3/8X0.27 90W9/16UNF-W9/16UNF	506736	1
4	HOSE, PHD 2T3/8X0.43 90W9/16UNF-90W9/16U	506737	1
5	HOSE, PHD 2T3/8X0.45 W9/16UNF-W9/16UNF H	518552	1
6	HOSE PROTECTION	098489	1
7	SLEEVE, VERTICAL HOSE PROTECTION	508713	1
8	SLEEVE, OBLIQUE HOSE PROTECTION	508714	1

1.55 Oil Flow Control 595248

595248_001
595248

REF	DESCRIPTION (◆ indicates parts available in assemblies only)	PART #	QTY
-	VALVE, OIL FLOW CONTROL - COMPLETE (FOR SECOND SAW HEAD)	595248	1
1	BRACKET, VALVE MOUNT	533190-1	1
2	VALVE, PN 500 RSAP2V02FF 3/8" G DN10 BA	502056	1
3	FITTING, G3/8-9/16-18JIC HAND PUMP	091842	2
4	WASHER, M8, FLAT, ZINC	F81054-1	4
5	WASHER, 8,2 SPLIT LOCK ZINC	F81054-4	4
6	BOLT, M8 X 20-8.8 SOCKET HEAD	F81002-30	4
7	WASHER, 5.3 FLAT ZINC	F81052-1	4
8	NUT, M5-8-FE/ZN5 DIN985	F81030-2	2
9	BOLT, M5X45 DIN933 A2-70 STAINLESS STEEL	F81000-22	2
10	DECAL B, SINGLE BLADE TENSION ASSEMBLY	518902	1

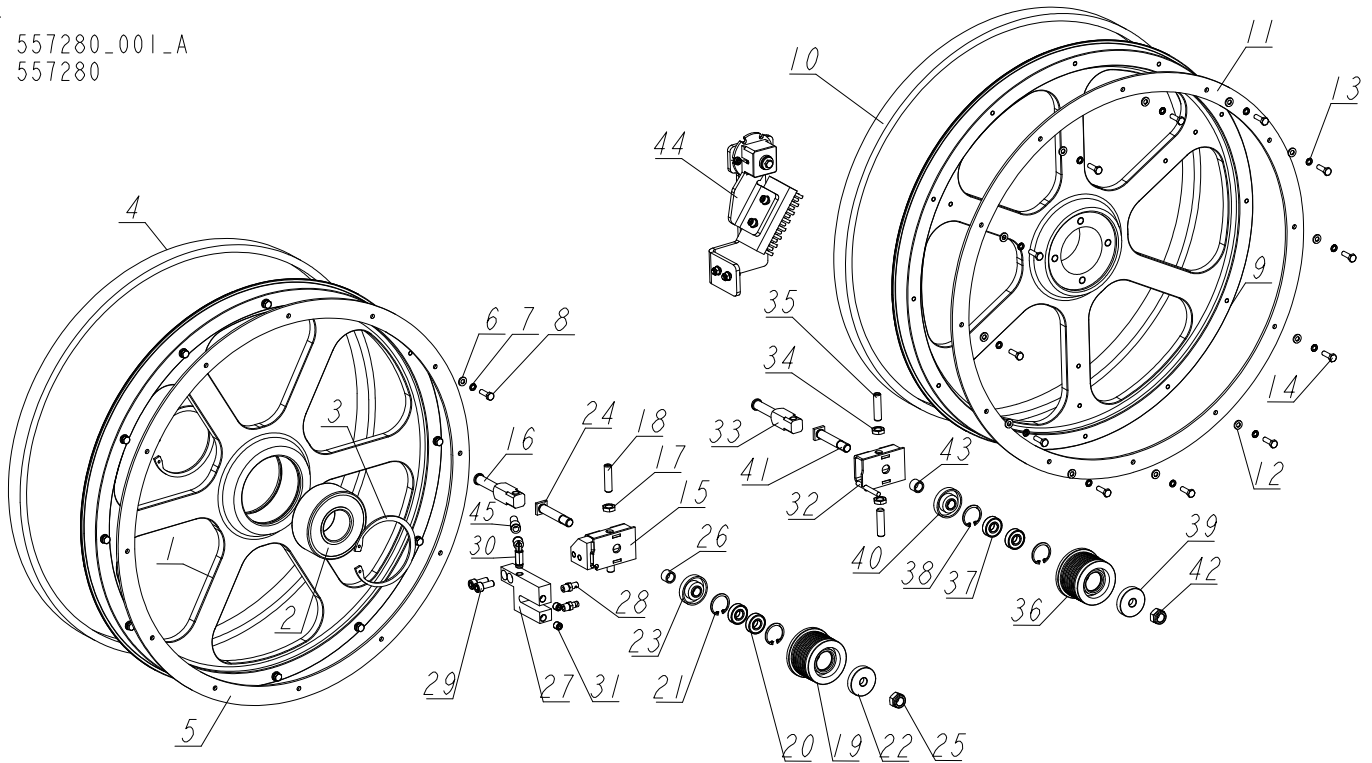
1.56 Sweeper Assembly, Drive-Side Blade Wheel (No. 557293)

557293_001
557293

REF.	DESCRIPTION (* indicates parts available in assemblies only)	PART #	QTY
-	SWEEPER ASSEMBLY, DRIVE-SIDE BLADE WHEEL	557293	1
1	BRACKET, DRIVE-SIDE BLADE WHEEL SWEEPER	557294-1	1
2	SHAFT WELDMENT, SWEEPER	586124-1	1
3	BUSHING, IGUS: JFM_1416_12_1	569013	1
4	BRACKET WELDMENT, LATH BRUSH	557296-1	1
5	SPRING, EXTENSION	586127-1	1
6	BUSHING, SPACER	570020-1	1
7	WASHER, 6.5 ZINC SPECIAL FLAT	F81053-11	1
8	BOLT, M6X20 8.8 HEX HEAD FULL THREAD ZINC	F81001-2	1
9	WASHER, Z 6.1 SPLIT LOCK ZINC	F81053-3	2
10	SCREW, M6X12-10.9 DIN 7984 HEX SOCKET THIN HEAD CAP	F81001-80	2
11	WASHER, 6.4 FLAT ZINC	F81053-1	6
12	NUT, M6-8-B HEX NYLON ZINC LOCK	F81031-2	2
13	SCREW, M6X20 8.8 HEX SOCKET HEAD CAP ZINC	F81001-22	4
14	BRUSH, LATH	586126	1

1.57 Blade Wheels & Guide Rollers, HR700 2" Blade (Kit No. 557280)

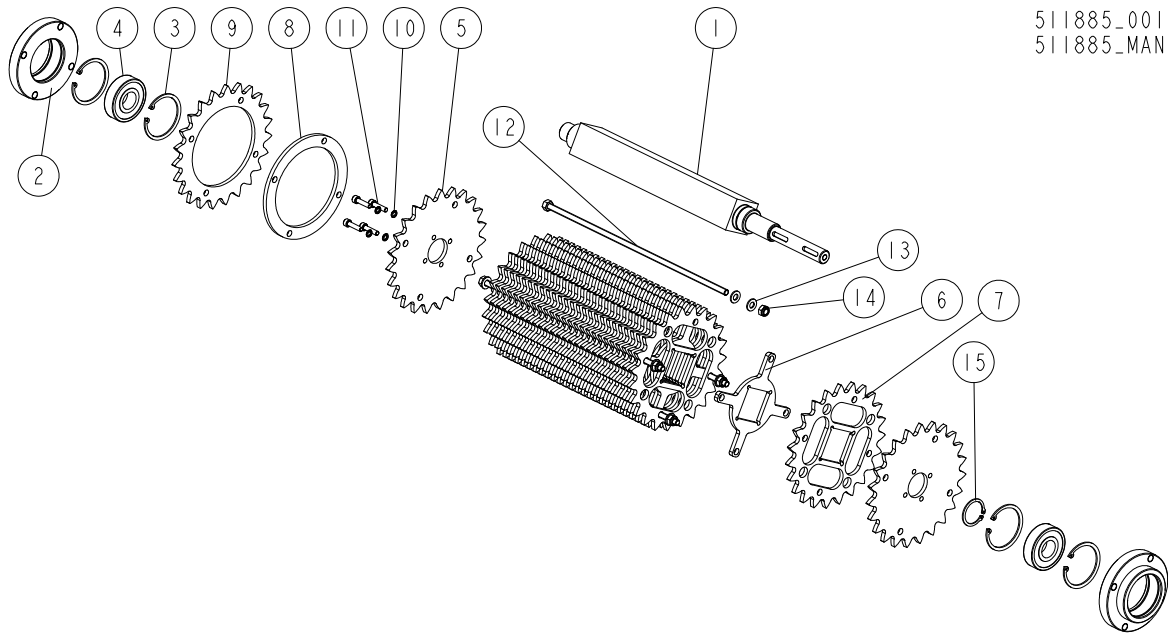
557280_001_A
557280



REF.	DESCRIPTION (* indicates parts available in assemblies only)	PART #	QTY
-	WHEEL & ROLLER KIT, HR700 2" BLADE	557280	1
-	BLADE WHEEL, 2" IDLE SIDE - COMPLETE	582125	1
1	BLADE WHEEL, IDLE SIDE	578645-1	1
2	BEARING, 3309B-2RSR ROLLING	086428	1
3	RING, W100 INSIDE RETAINING	F81090-10	2
4	V-BELT, 1 1/8" LENGTH 72.5	547257	1
5	FLANGE	582131-1	1
6	WASHER, 6.4 FLAT ZINC	F81053-1	12
7	WASHER, Z 6.1 SPLIT LOCK ZINC	F81053-3	12
8	BOLT, M6X20 8.8 HEX HEAD FULL THREAD ZINC	F81001-2	12
-	BLADE WHEEL, DRIVE SIDE - COMPLETE	582133	1
9	WHEEL, DRIVE SIDE BLADE	578646-1	1
10	V-BELT, 1 1/8" LENGTH 72.5	547257	1
11	FLANGE	582131-1	1
12	WASHER, 6.4 FLAT ZINC	F81053-1	12
13	WASHER, Z 6.1 SPLIT LOCK ZINC	F81053-3	12
14	BOLT, M6X20 8.8 HEX HEAD FULL THREAD ZINC	F81001-2	12
-	BLADE GUIDE, 2" BLADE IDLE SIDE	557281	1
15	MOUNT WELDMENT, BLADE GUIDE ROLLER	557306-1	1
16	SHAFT, ZINC-PLATED BLADE GUIDE MOUNT	088255-1	1
17	NUT, M10X1-04-ST-A2E ISO8675 THIN	F81033-10	2
18	SCREW, M10X1X40 DIN913 A2-70 STAINLESS STEEL SET	F81015-2	2
-	ROLLER ASSEMBLY, BLADE GUIDE W/BEARINGS	542549	1
19	ROLLER, WIDE BLADE GUIDE	542547	1

REF.	DESCRIPTION (* indicates parts available in assemblies only)	PART #	QTY
20	BEARING, 6001 2RSR (FAG, SKF)	087893	2
21	RING, W28 INSIDE RETAINING	F81090-9	2
22	RING, ZINC-PLATED SPACER	087891-1	1
23	RING, ZINC-PLATED SPACER (EXTENDED BLADE GUIDE ROLLER)	087892-1	1
24	SHAFT, EXTENDED BLADE GUIDE ROLLER ZINC-PLATED	542548-1	1
25	NUT, M12-8 DIN 982 HEX NYLON ZINC LOCK	F81034-2	1
26	BUSHING, N12/N16-11.5	542551-1	1
27	BLOCK, NOZZLE MOUNT	524858-1	1
28	NOZZLE, BLADE LUBE SPRAY	033479	2
29	SCREW, M8X20-8.8 HEX SOCKET HEAD CAP ZINC	F81002-30	2
30	FITTING, KQ2W08-U01A EXTENDED MALE ELBOW	557305	1
31	PLUG, M10X1 DIN906 BN40 ZINC-PLATED	F81015-3	2
-	BLADE GUIDE, 2"BLADE DRIVE SIDE	557282	1
32	BRACKET WELDMENT, DRIVE SIDE BLADE GUIDE ROLLER	500498-1	1
33	SHAFT, ZINC-PLATED BLADE GUIDE MOUNT	088255-1	1
34	NUT, M10X1-04-ST-A2E ISO8675 THIN	F81033-10	2
35	SCREW, M10X1X40 DIN913 A2-70 STAINLESS STEEL SET	F81015-2	2
-	ROLLER ASSEMBLY, BLADE GUIDE W/BEARINGS	542549	1
36	ROLLER, BLADE GUIDE EXTENDED	542547	1
37	BEARING, 6001 2RSR (FAG, SKF)	087893	2
38	RING, W28 INSIDE RETAINING	F81090-9	2
39	RING, ZINC-PLATED SPACER	087891-1	1
40	RING, ZINC-PLATED SPACER (EXTENDED BLADE GUIDE ROLLER)	087892-1	1
41	SHAFT, EXTENDED BLADE GUIDE ROLLER ZINC-PLATED	542548-1	1
42	NUT, M12-8 DIN 982 HEX NYLON ZINC LOCK	F81034-2	1
43	BUSHING, N12/N16-11.5	542551-1	1
44	SWEEPER ASSEMBLY, DRIVE-SIDE BLADE WHEEL	557293	1
45	FITTING, 8/10 PLUG-IN REDUCER	524846	1

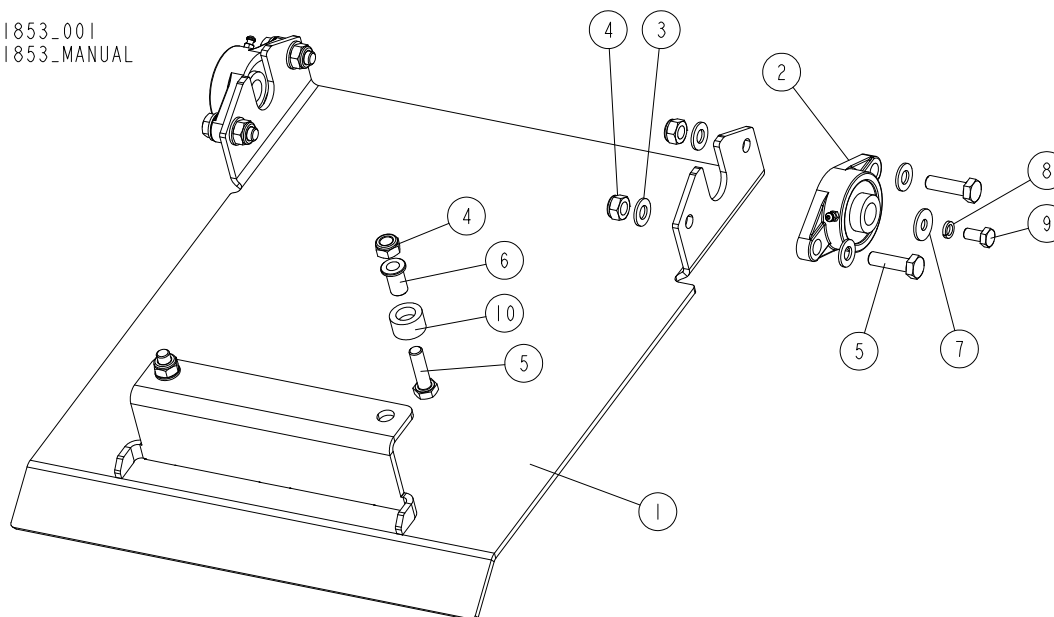
1.58 Roller Drive Shaft Assembly (No. 511885)



511885_001
511885_MANUAL

REF.	DESCRIPTION (◆ indicates parts available in assemblies only)	PART #	QTY
-	SHAFT ASSEMBLY, HR700 DRIVE	511885	1
1	SHAFT, HR700 ROLLER DRIVE	511884	1
-	HOUSING, 6205 BEARING - COMPLETE	511883	2
2	HOUSING, 6205 BEARING	512144-1	1
3	RING, 62W INSIDE RETAINING	F81090-1	2
4	BEARING, 6305 2RS CX	085706	1
5	PLATE, N160 OUTSIDE TOOTHED ZINC-PLATED	511887-1	2
-	TOOTHED PLATE SET	511901	26
6	PLATE, SPACER	511888-1	1
7	PLATE, N160 TOOTHED ZINC-PLATED CLAMPING	511886-1	1
8	RING, OUTSIDE SPACER	511902-1	1
9	PLATE, N160 DIA. OUTSIDE TOOTHED ZINC-PLATED	511903-1	1
10	WASHER, Z 6.1 SPLIT LOCK ZINC	F81053-3	4
11	SCREW, M6X25-8.8 HEX SOCKET HEAD CAP ZINC	F81001-41	4
12	PIN, M8X360 ZINC-PLATED	511905-1	4
13	WASHER, 8.4 FLAT ZINC	F81054-1	8
14	NUT, M8-8-B HEX NYLON ZINC LOCK	F81032-2	5
15	RING, Z35 OUTSIDE RETAINING	F81090-36	1

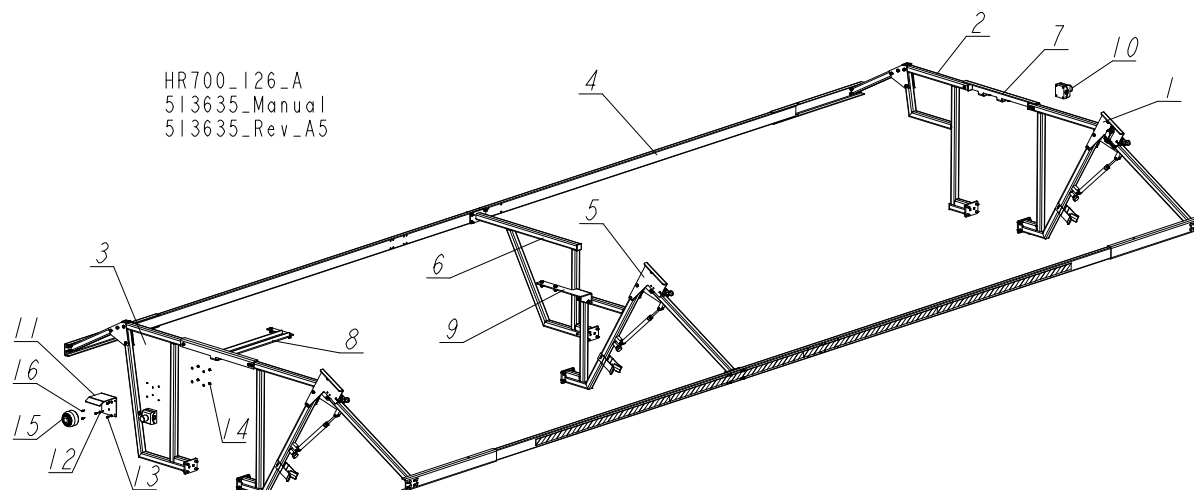
1.59 Activator Plate Assembly

511853_001
511853_MANUAL

REF.	DESCRIPTION (◆ Indicates Parts Available In Assemblies Only)	PART #	QTY	
-	PLATE, ACTIVATOR - COMPLETE	511853	1	
1	PLATE, ACTIVATOR ZINC-PLATED	511900-1	1	
2	BEARING, UCFL 203 (CX) W/HOUSING	507347	2	
3	WASHER, 10.5 FLAT ZINC	F81055-1	8	
4	NUT, M10-8-B HEX NYLON ZINC LOCK	F81033-1	6	
5	BOLT, M10X35 8.8 HEX HEAD FULL THREAD ZINC	F81003-17	6	
6	NUT, M10X13X22 ZINC-PLATED RIVET	F81033-15	2	
7	WASHER, ISO 7093-1-8-200 HV-A2E	F81054-11	1	
8	WASHER, 8.2 SPLIT LOCK ZINC	F81054-4	1	
9	BOLT, M8X16-8.8-B HEX HEAD FULL THREAD ZINC	F81002-20	1	
10	BOOT, RUBBER BUMPER	089083	2	

SECTION 2 SIDE FENCE (CE VERSION ONLY)

2.1 Side Fence



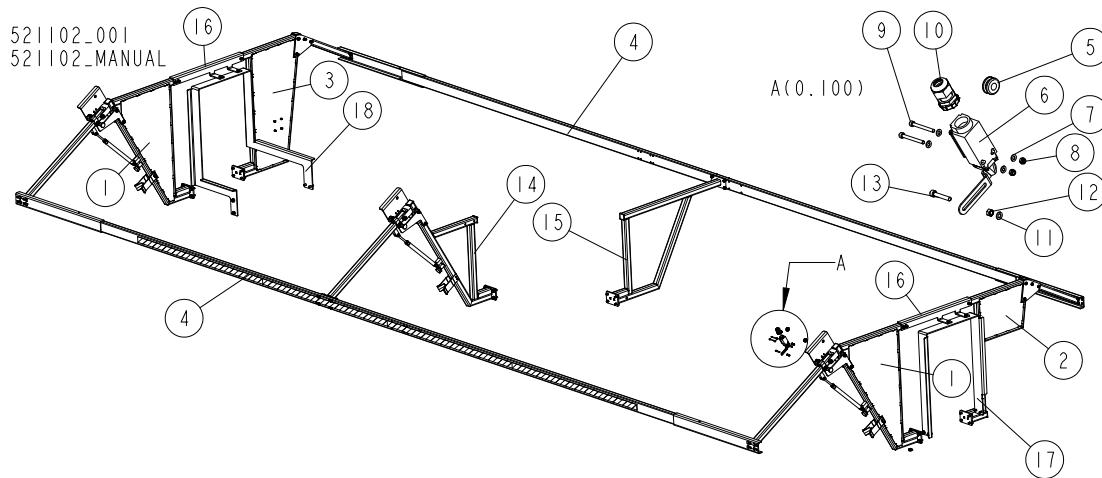
REF.	DESCRIPTION (◆ Indicates Parts Available In Assemblies Only)	PART#	QTY
	FENCE, HR700-1/HR700-2 SIDE - COMPLETE	513633	1/0/0
	FENCE, HR700-3/HR700-4 SIDE - COMPLETE	513634	0/1/0
	FENCE, HR700-5/HR700-6 SIDE - COMPLETE	513635	0/0/1
1	BRACKET, MOVING SIDE FENCE SUPPORT - COMPLETE See Section 2.3	514229	2
2	BRACKET, FIXED SIDE FENCE SUPPORT - COMPLETE See Section 2.4	515211	1
3	BRACKET, FIXED SIDE FENCE SUPPORT - COMPLETE See Section 2.4	514365	1
4	BARRIER, HR700-1/HR700-2 SIDE FENCE - COMPLETE See Section 2.7	514367	2/0/0
	BARRIER, HR700-3/HR700-4 SIDE FENCE - COMPLETE See Section 2.7	514366	0/2/0
	BARRIER, HR700-5/HR700-6 SIDE FENCE - COMPLETE See Section 2.7	514215	0/0/2
5	BRACKET, MOVING SIDE FENCE MIDDLE SUPPORT - COMPLETE See Section 2.6	515197	0/0/1
6	BRACKET, FIXED SIDE FENCE MIDDLE SUPPORT - COMPLETE See Section 2.6	515216	0/0/1
7	BRACKET, FENCE FRONT CONNECTION - COMPLETE See Section 2.4	514209	1
8	BRACKET, FENCE REAR CONNECTION - COMPLETE See Section 2.4	514213	1
9	PLATE, MIDDLE SUPPORT BRACKET CONNECTION - COMPLETE See Section 2.6	515201	0/0/1
10	BUTTON, M22-PV/KCO2 E-STOP	094726	0/1/1
11	HORN COVER	557269-1	0/1/1
12	WASHER, M6, FLAT,ZINC	F81053-1	0/8/8
13	BOLT, M6X16 8.8 HEX HEAD FULL THREAD ZIN, BOLT M6X16 HH ZC FT 8.8 DIN 933	F81001-15	0/4/4
14	NUT, M6-8-B HEX NYLON ZINC LOCK	F81031-2	0/4/4
15	PSS-0020 SIREN ;9+60VDC;106DB;SONOS;IP65	590003	0/1/1
16	SCREW, ISO 7045-M4X20-4.8-H-A2 CROSS REC	F81011-46	0/2/2



Side Fence (CE Version Only)

Hold-Down Rollers Side Fence

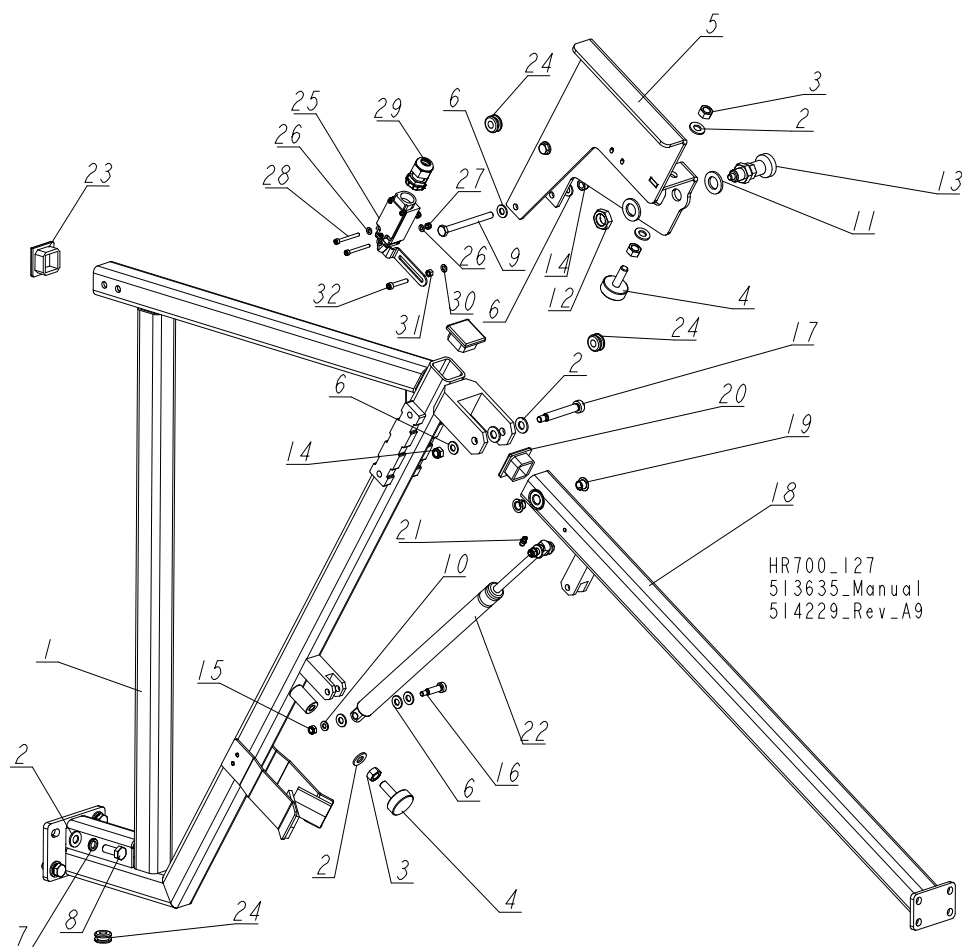
2.2 Hold-Down Rollers Side Fence



REF.	DESCRIPTION (◆ Indicates Parts Available In Assemblies Only)	PART#	QTY
-	FENCE, HR700-1, 700-2, HOLD-DOWN ROLLER SIDE - COMPLETE	521100	1
-	FENCE, HR700-3, 700-4, HOLD-DOWN ROLLER SIDE - COMPLETE	521101	1
-	FENCE, HR700-5, 700-6, HOLD-DOWN ROLLER SIDE - COMPLETE	521102	1
1	BRACKET, MOVING SIDE FENCE SUPPORT - COMPLETE See Section 2.3	514229	2
2	BRACKET, FIXED SIDE FENCE SUPPORT - COMPLETE See Section 2.4	515211	1
3	BRACKET, FIXED SIDE FENCE SUPPORT - COMPLETE See Section 2.5	514365	1
4	BARRIER, HR700-1, HR700-2, SIDE FENCE - COMPLETE See Section 2.7	514367	2
	BARRIER, HR700-3, HR700-4, SIDE FENCE - COMPLETE See Section 2.7	514366	2
	BARRIER, HR700-5, HR700-6, SIDE FENCE - COMPLETE See Section 2.7	514215	2
5	GROMMET, 3/8" ID RUBBER	025248	3
6	SWITCH, XCSPL562 LIMIT	534491	1
7	WASHER, 4.3 FLAT ZINC	F81051-2	4
8	NUT, M4-8-HEX NYLON ZINC LOCK	F81029-1	2
9	SCREW, M4X40 8.8 HEX SOCKET HEAD CAP ZINC	F81011-37	2
10	GLAND, PG13.5 CABLE	086524	1
11	WASHER, 5.3 FLAT ZINC	F81052-1	1
12	NUT, M5 8 HEX ZINC	F81030-1	1
13	SCREW, M5X30-8.8 HEX SOCKET HEAD CAP ZINC	F81000-71	1
14	BRACKET, MOVING SIDE FENCE MIDDLE SUPPORT- COMPLETE See Section 2.6	515197 ¹	1
15	BRACKET, FIXED SIDE FENCE MIDDLE SUPPORT - COMPLETE See Section 2.7	515216 ¹	1
16	BRACKET, FENCE FRONT CONNECTION - COMPLETE See Section 2.4	514209	2
17	BRACKET, FENCE FRONT CONNECTION, HR700 - COMPLETE See Section 2.8	521104	1
18	BRACKET, FENCE REAR CONNECTION, HR700 - COMPLETE See Section 2.9	521106	1

¹ Belongs to 521102

2.3 Moving Side Fence Support Bracket



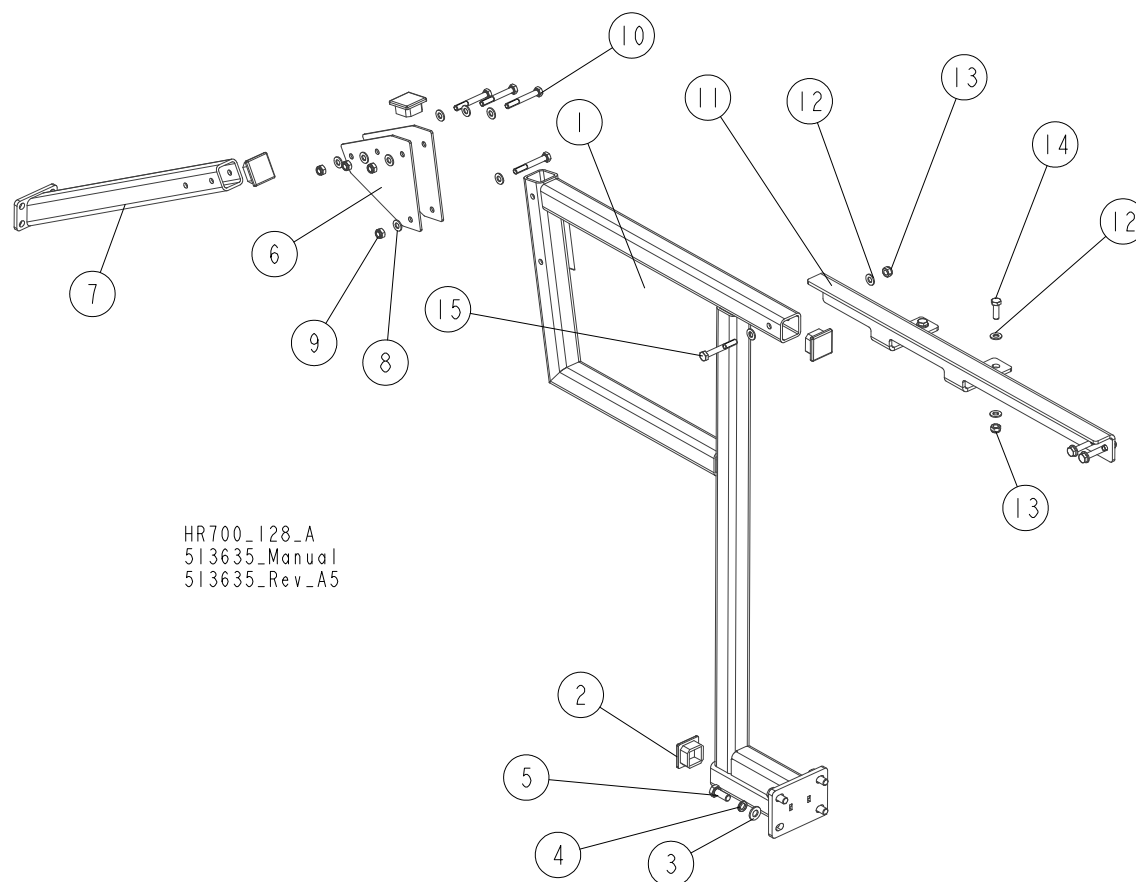
REF.	DESCRIPTION (◆ Indicates Parts Available In Assemblies Only)	PART#	QTY
	BRACKET, MOVING SIDE FENCE SUPPORT - COMPLETE	514229	1
1	BRACKET WELDMENT, MOVING SIDE FENCE SUPPORT	099450-1	1
2	WASHER, 10.5 FLAT ZINC	F81055-1	10
3	NUT, M10-8-B HEX ZINC	F81033-3	3
4	FOOT, M10	092839	2
5	BRACKET, LIMIT SWITCH MOUNT	099470-1	1
6	WASHER, 8.4 FLAT ZINC	F81054-1	11
7	WASHER, Z10.2 SPLIT LOCK ZINC	F81055-2	4
8	BOLT, M10X25 8.8 HEX HEAD FULL THREAD ZINC	F81003-11	4
9	BOLT, M8X90-8.8 HEX HEAD FULL THREAD ZINC	F81002-16	2
10	WASHER, 6.4 FLAT ZINC	F81053-1	2
11	WASHER, 17 SPLIT LOCK ZINC	F81058-1	2
12	NUT, M16X1.5-08-B THIN ZINC	F81036-6	1
13	PIN, 45308DNW DETENT	089939	1
14	NUT, M8-8-B HEX NYLON ZINC LOCK	F81032-2	3
15	NUT, M6-8-B HEX NYLON ZINC LOCK	F81031-2	2

2

Side Fence (CE Version Only)*Moving Side Fence Support Bracket*

REF.	DESCRIPTION (◆ Indicates Parts Available In Assemblies Only)	PART#	QTY	
16	BOLT, 8/M6X25-12.9 ISO 7379 SHOULDER	F81001-47	2	
17	BOLT, 10/M8X60-12.9 ISO7379/BN1359 BOSSARD SHOULDER	F81003-79	1	
	ARM, SIDE FENCE MOVING - COMPLETE	099464	1	
18	ARM, SIDE FENCE MOVING	099465-1	1	
19	BEARING, TUF1 10.090 (CX) SLIDE	099074	2	
20	CAP, 40X40X(3-4) MOSS TUBE END	097480	1	
21	FITTING, M6 STRAIGHT GREASE	086280	1	
22	SPRING, MS10-1-1F-1F-1000-100-460 (EUROTECHNIKA) GAS	099446	1	
23	CAP, 40X40X(3-4) MOSS TUBE END	097480	2	
24	GROMMET, 3/8 ID RUBBER	025248	3	
25	SWITCH, XCSPL562 LIMIT	534491	1	
26	WASHER, 4.3 FLAT ZINC	F81051-2	4	
27	NUT, M4-8 HEX NYLON ZINC LOCK	F81029-1	2	
28	SCREW, M4X40 8.8 HEX SOCKET HEAD CAP ZINC	F81011-37	2	
29	GLAND, PG13.5 CABLE	086524	1	
30	WASHER, 5.3 FLAT ZINC	F81052-1	1	
31	NUT, M5-8 HEX ZINC	F81030-1	1	
32	SCREW, M5X30 5.8 HEX SOCKET HEAD CAP ZINC	F81000-71	1	

2.4 Fixed Side Fence Support Bracket & Front Connection Bracket



HR700-128_A
513635_Manual
513635_Rev_A5

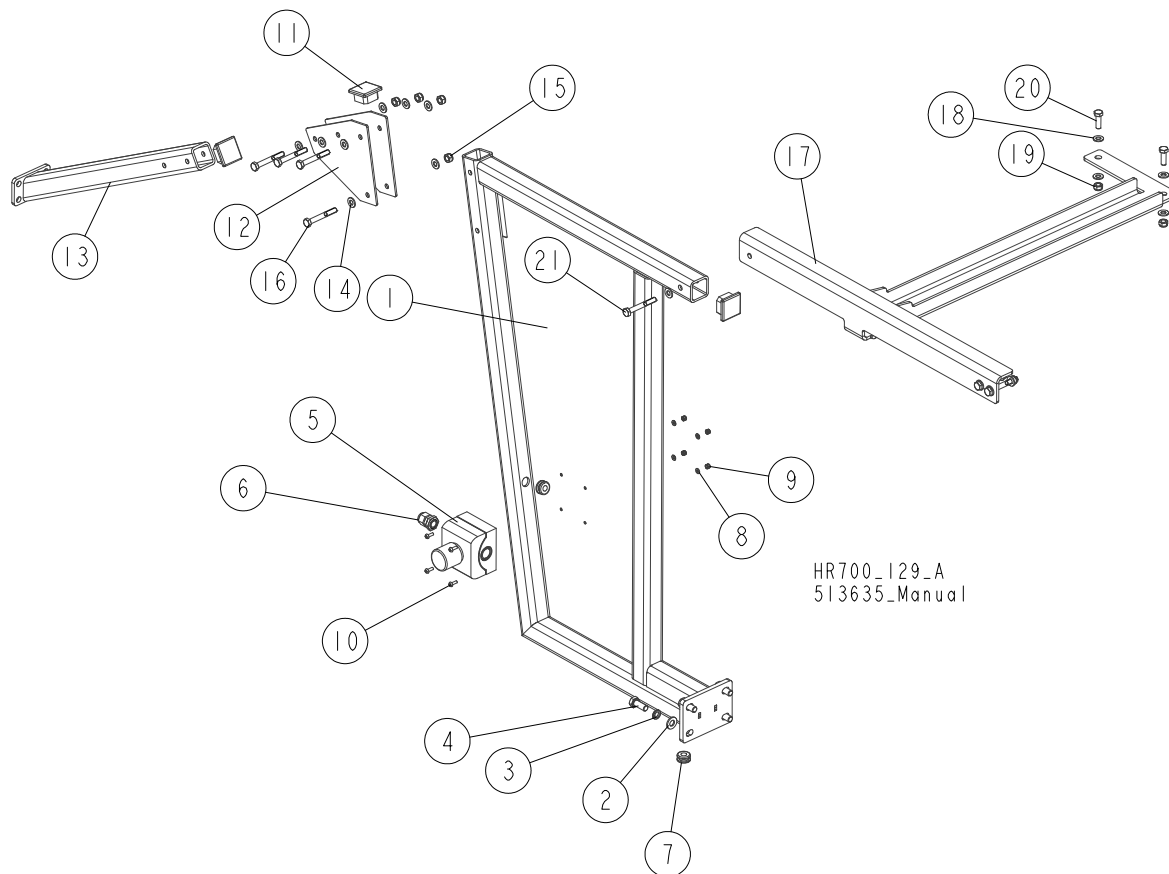
REF.	DESCRIPTION (◆ Indicates Parts Available In Assemblies Only)	PART#	QTY
	BRACKET, FIXED SIDE FENCE SUPPORT - COMPLETE	515211	1
1	BRACKET, FIXED SIDE FENCE SUPPORT	515212-1	1
2	CAP, 40X40X(3-4) MOSS TUBE END	097480	3
3	WASHER, 10.5 FLAT ZINC	F81055-1	4
4	WASHER, Z 10.2 SPLIT LOCK ZINC	F81055-2	4
5	BOLT, M10X25 8.8 HEX HEAD FULL THREAD ZINC	F81003-11	4
6	PLATE, CONNECTING	099462-1	2
7	TUBE WELDMENT, SUPPORT BRACKET	518553-1	1
8	WASHER, 8.4 FLAT ZINC	F81054-1	8
9	NUT, M8-8-B HEX NYLON ZINC LOCK	F81032-2	4
10	BOLT, M8X60-8.8 HEX HEAD ZINC	F81002-54	4
	BRACKET, FENCE FRONT CONNECTION - COMPLETE	514209	1
11	BRACKET, FENCE FRONT CONNECTION	514210-1	1
12	WASHER, 8.4 FLAT ZINC	F81054-1	10
13	NUT, M8 8 HEX NYLON ZINC LOCK	F81032-2	5
14	BOLT, M8X25-8.8-B HEX HEAD FULL THREAD ZINC	F81002-5	2
15	BOLT, M8X60 8.8 HEX HEAD ZINC	F81002-54	3

2

Side Fence (CE Version Only)

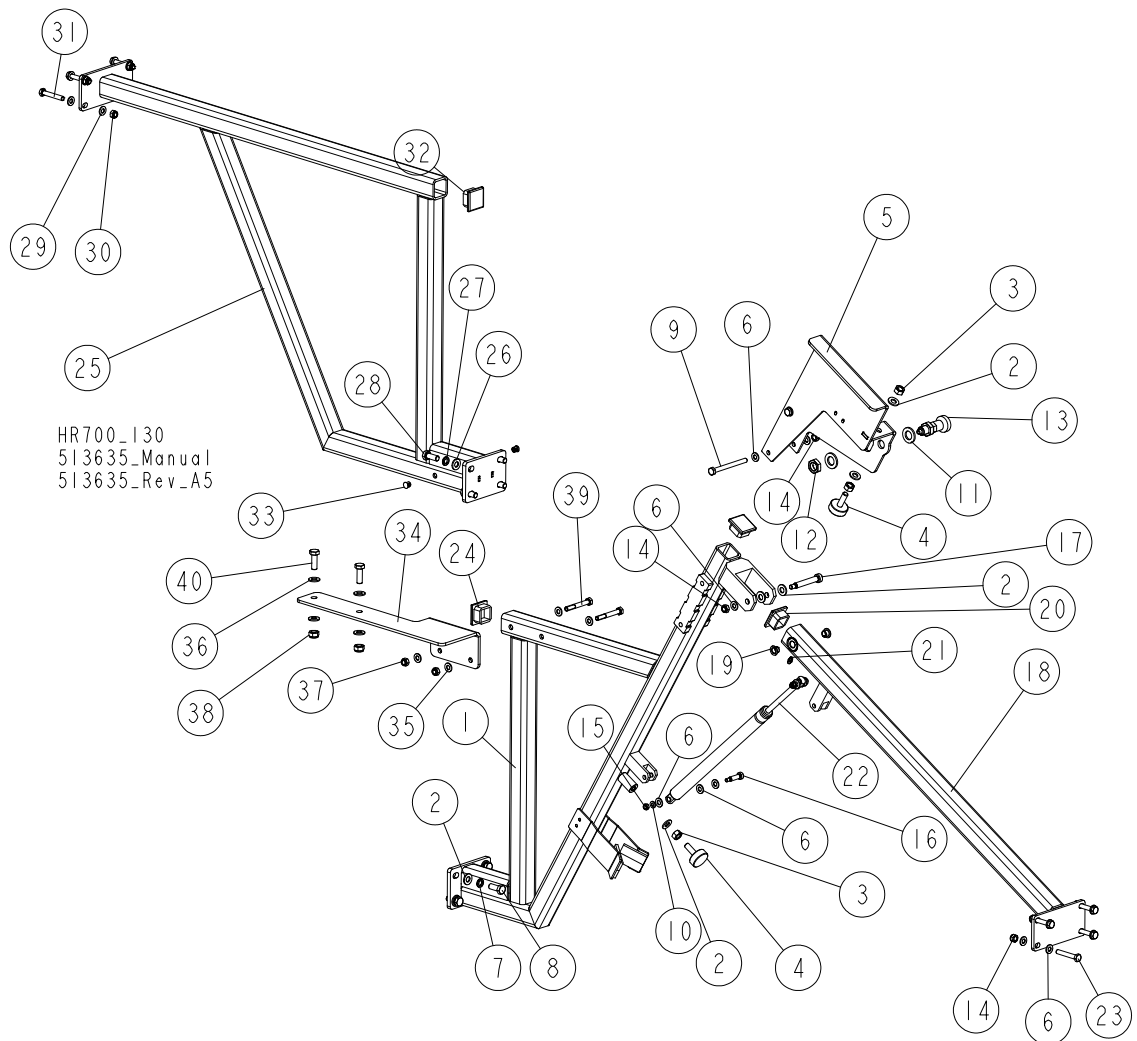
Fixed Side Fence Support Bracket & Rear Connection Bracket

2.5 Fixed Side Fence Support Bracket & Rear Connection Bracket



REF.	DESCRIPTION (◆ Indicates Parts Available In Assemblies Only)	PART#	QTY
	BRACKET, FIXED SIDE FENCE SUPPORT - COMPLETE	514365	1
1	BRACKET, FIXED SIDE FENCE SUPPORT	099451-1	1
2	WASHER, 10.5 FLAT ZINC	F81055-1	4
3	WASHER, Z 10.2 SPLIT LOCK ZINC	F81055-2	4
4	BOLT, M10X25 8.8 HEX HEAD FULL THREAD ZINC	F81003-11	4
5	BUTTON, M22-PV/KCO2 EMERGENCY STOP	094726	1
6	GLAND, DP9/H CABLE	F81096-2	1
7	GROMMET, 3/8 ID RUBBER	025248	2
8	WASHER, 4.3 FLAT ZINC	F81051-2	4
9	NUT, M4-8 HEX NYLON ZINC LOCK	F81029-1	4
10	SCREW, M4X12-5.8-B CROSS RECESSED PAN HEAD ZINC	F81011-43	4
11	CAP, 40X40X(3-4) MOSS TUBE END	097480	2
	BRACKET, FENCE REAR CONNECTION - COMPLETE	514213	1
12	BRACKET, FENCE REAR CONNECTION	514214-1	1
13	WASHER, 8.4 FLAT ZINC	F81054-1	10
14	NUT, M8 8 HEX NYLON ZINC LOCK	F81032-2	5
15	BOLT, M8X25-8.8-B HEX HEAD FULL THREAD ZINC	F81002-5	2
16	BOLT, M8X60 8.8 HEX HEAD ZINC	F81002-54	3

2.6 Middle Support Bracket



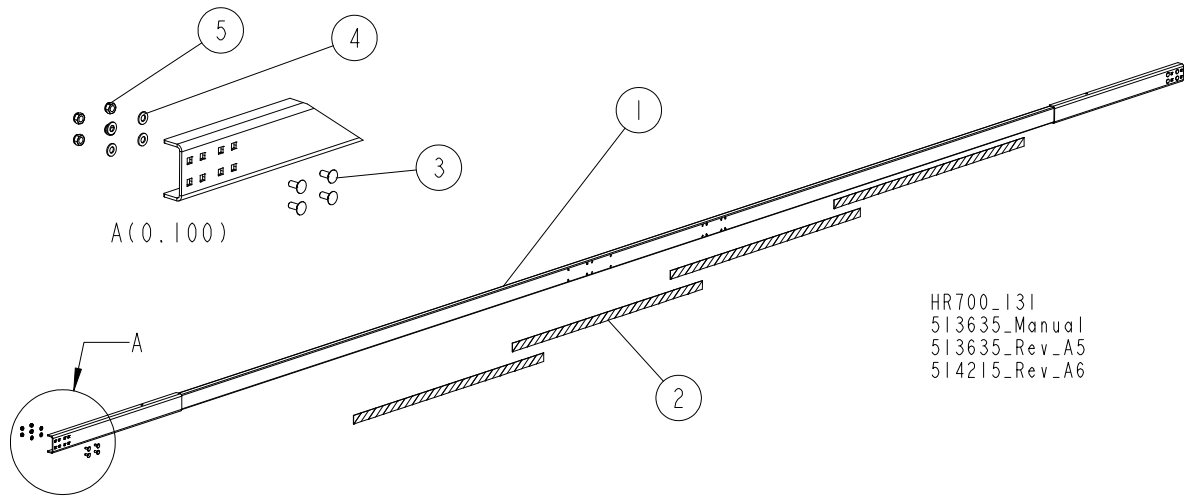
REF.	DESCRIPTION (◆ Indicates Parts Available In Assemblies Only)	PART#	QTY
	BRACKET, MOVING SIDE FENCE MIDDLE SUPPORT - COMPLETE	515197	1
1	BRACKET, MOVING SIDE FENCE MIDDLE SUPPORT	515198-1	1
2	WASHER, 10.5 FLAT ZINC	F81055-1	10
3	NUT, M10-8-B HEX ZINC	F81033-3	3
4	FOOT, M10	092839	2
5	BRACKET, LIMIT SWITCH MOUNT	099470-1	1
6	WASHER, 8.4 FLAT ZINC	F81054-1	19
7	WASHER, Z10.2 SPLIT LOCK ZINC	F81055-2	4
8	BOLT, M10X25 8.8 HEX HEAD FULL THREAD ZINC	F81003-11	4
9	BOLT, M8X90-8.8 HEX HEAD FULL THREAD ZINC	F81002-16	2
10	WASHER, 6.4 FLAT ZINC	F81053-1	2
11	WASHER, 17 SPLIT LOCK ZINC	F81058-1	2
12	NUT, M16X1.5-08-B THIN ZINC	F81036-6	1
13	PIN, 45308DNW DETENT	089939	1

2

Side Fence (CE Version Only)*Middle Support Bracket*

REF.	DESCRIPTION (◆ Indicates Parts Available In Assemblies Only)	PART#	QTY	
14	NUT, M8-8-B HEX NYLON ZINC LOCK	F81032-2	7	
15	NUT, M6-8-B HEX NYLON ZINC LOCK	F81031-2	2	
16	BOLT, 8/M6X25-12.9 ISO 7379 SHOULDER	F81001-47	2	
17	BOLT, 10/M8X60-12.9 ISO7379/BN1359 BOSSARD SHOULDER	F81003-79	1	
	ARM, MIDDLE MOVING - COMPLETE	515204	1	
18	ARM, MIDDLE MOVING	515205-1	1	
19	BEARING, TUF1 10.090 (CX) SLIDE	099074	2	
20	CAP, 40X40X(3-4) MOSS TUBE END	097480	1	
21	FITTING, M6 GREASE	086280	1	
22	SPRING, MS10-1-1F-1F-1000-100-460 (EUROTECHNIKA) GAS	099446	1	
23	BOLT, M8X50-8.8 HEX HEAD FULL THREAD ZINC	F81002-19	4	
24	CAP, 40X40X(3-4) MOSS TUBE END	097480	2	
	BRACKET, FIXED SIDE FENCE MIDDLE SUPPORT - COMPLETE	515216	1	
25	BRACKET, FIXED SIDE FENCE MIDDLE SUPPORT	515217-1	1	
26	WASHER, 10.5 FLAT ZINC	F81055-1	4	
27	WASHER, Z10.2 SPLIT LOCK ZINC	F81055-2	4	
28	BOLT, M10X25 8.8 HEX HEAD FULL THREAD	F81003-31	4	
29	WASHER, 8.4 FLAT ZINC	F81054-1	8	
30	NUT, M8-8-B HEX NYLON ZINC LOCK	F81032-2	4	
31	BOLT, M8X50-8.8 HEX HEAD FULL THREAD ZINC	F81002-19	4	
32	CAP, 40X40X(3-4) MOSS TUBE END	097480	1	
33	PLUG, SR1086-9.5 #46009 (MOSS) BLANKING	096846	4	
	PLATE, MIDDLE SUPPORT BRACKET CONNECTION - COMPLETE	515201	1	
34	ANGLE, MOUNTING	515220-1	1	
35	WASHER, 8.4 FLAT ZINC	F81054-1	4	
36	WASHER, 10.5 FLAT ZINC	F81055-1	4	
37	NUT, M8-8-B HEX NYLON ZINC LOCK	F81032-2	2	
38	NUT, M10-8-B HEX NYLON ZINC LOCK	F81033-1	2	
39	BOLT, M8X60 8.8 HEX HEAD ZINC	F81002-54	2	
40	BOLT, M10X30 5.8 HEX HEAD FULL THREAD ZINC	F81003-2	2	

2.7 Side Fence Barriers

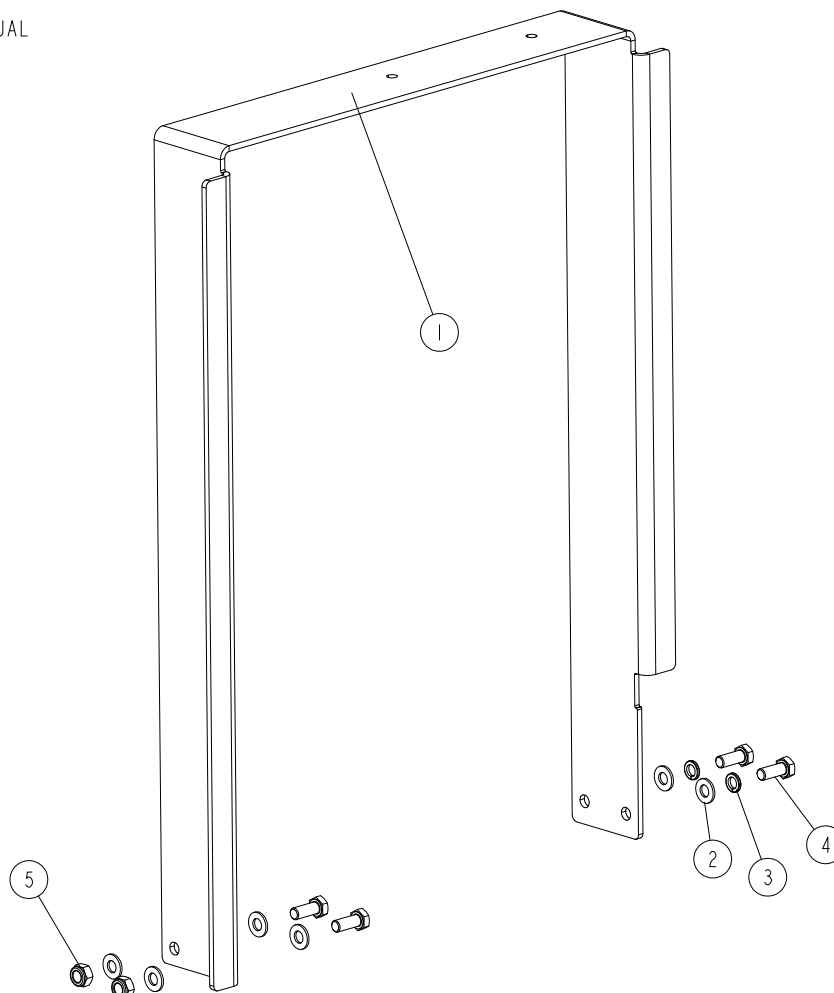


REF.	DESCRIPTION (◆ Indicates Parts Available In Assemblies Only)	PART#	QTY
	BARRIER, HR700-1/HR700-2 SIDE FENCE - COMPLETE	514367	1/0/0
	BARRIER, HR700-3/HR700-4 SIDE FENCE - COMPLETE	514366	0/1/0
	BARRIER, HR700-5/HR700-6 SIDE FENCE - COMPLETE	514215	0/0/1
1	BARRIER, HR700-1/HR700-2 SIDE FENCE	514359-1	1/0/0
	BARRIER, HR700-3/HR700-4 SIDE FENCE	514218-1	0/1/0
	BARRIER, HR700-5/HR700-6 SIDE FENCE	514216-1	0/0/1
2	DECAL, SAFETY WARNING (BLACK&YELLOW)	099368	1/2/4
3	BOLT, M8X20-8.8 CARRIAGE HEAD ZINC	F81002-11	8
4	WASHER, 8.4 FLAT ZINC	F81054-1	8
5	NUT, M8-8-B HEX NYLON ZINC LOCK	F81032-2	8

2 Side Fence (CE Version Only) Front Bracket

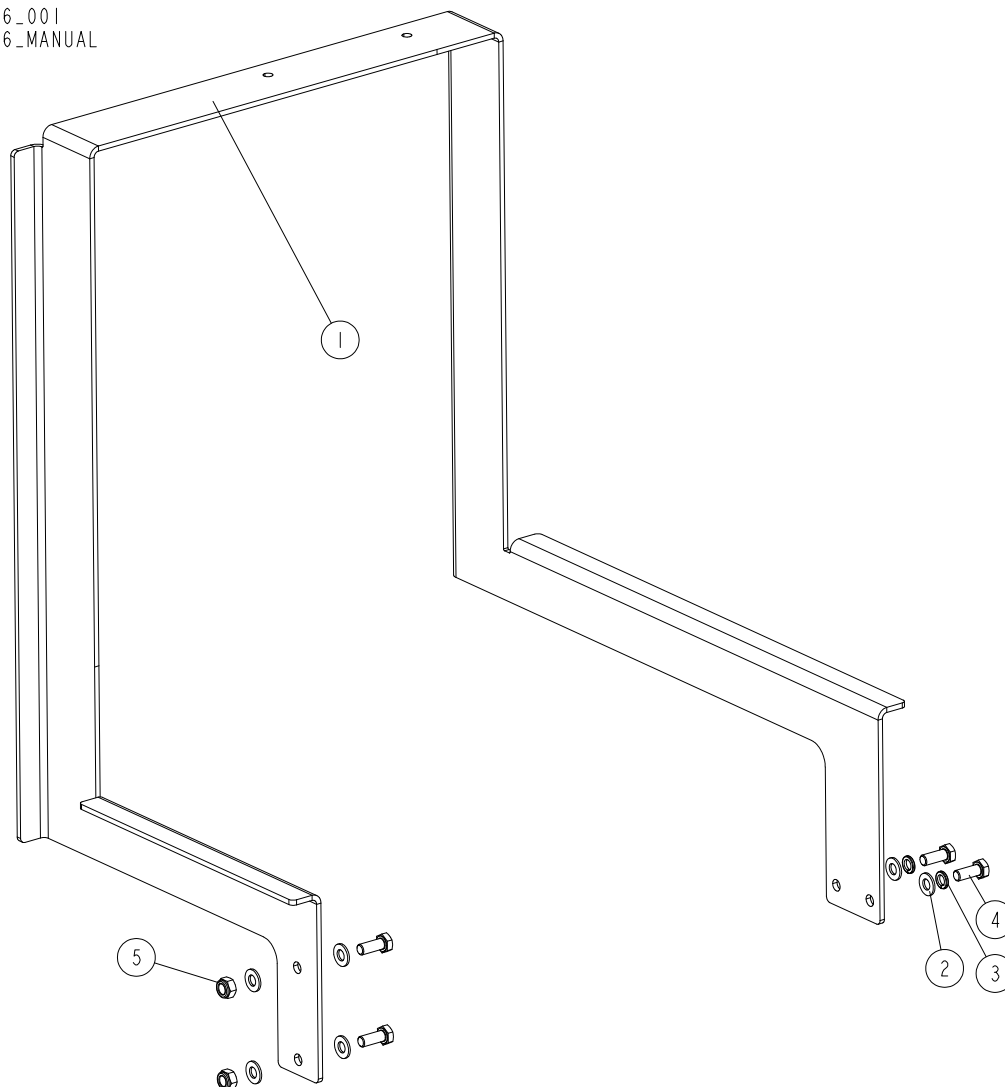
2.8 Front Bracket

521104_001
521104_MANUAL



REF.	DESCRIPTION (◆ Indicates Parts Available In Assemblies Only)	PART#	QTY
-	BRACKET, FENCE FRONT CONNECTION HR700 - COMPLETE	521104	1
1	BRACKET, FENCE FRONT CONNECTION HR700 PTD.	521103-1	1
2	WASHER, 10,5 FLAT ZINC	F81055-1	6
3	WASHER, Z 10.2 SPLIT LOCK ZINC	F81055-2	2
4	BOLT, M10X25 8.8 HEX HEAD FULL THREAD ZINC	F81003-11	4
5	NUT, M10 HEX NYLON ZINC LOCK	F81033-1	2

2.9 Rear Bracket

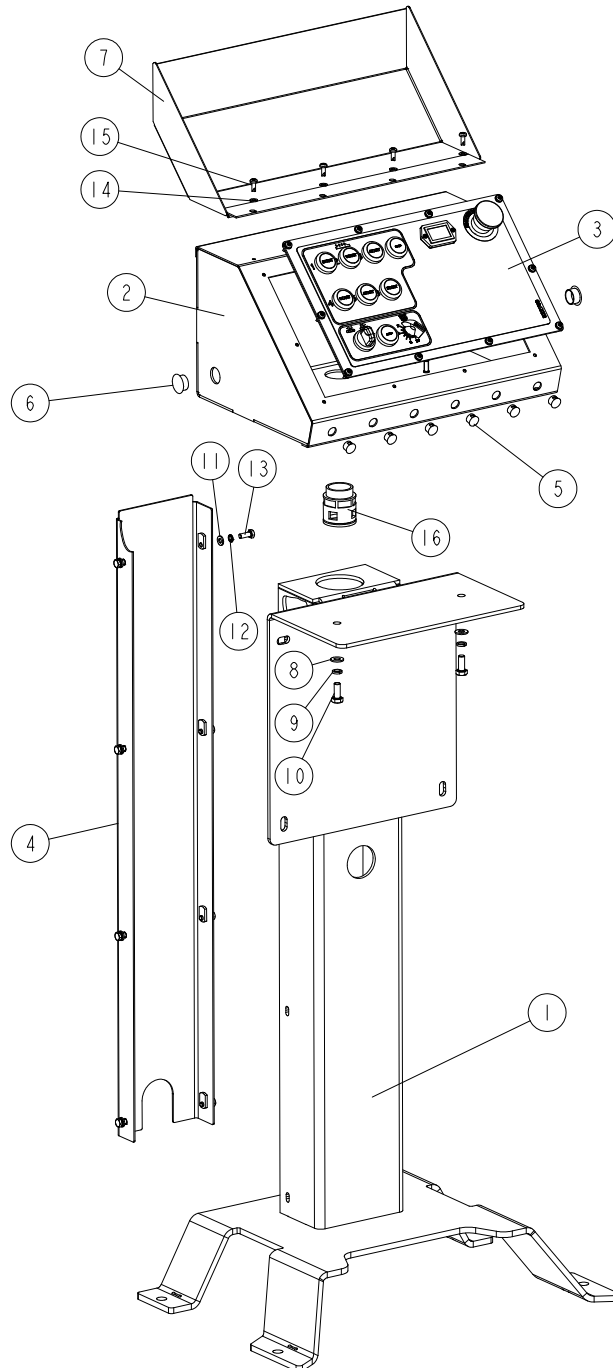
521106_001
521106_MANUAL

REF.	DESCRIPTION (◆ Indicates Parts Available In Assemblies Only)	PART#	QTY
-	BRACKET, FENCE REAR CONNECTION HR700 - COMPLETE	521106	1
1	BRACKET, FENCE REAR CONNECTION HR700, PTD.	521105-1	1
2	WASHER, 10,5 FLAT ZINC	F81055-1	6
3	WASHER, Z 10.2 SPLIT LOCK ZINC	F81055-2	2
4	BOLT, M10X25 8.8HEX HEAD FULL THREAD ZINC	F81003-11	4
5	NUT, M10 HEX NYLON ZINC LOCK	F81033-1	2

SECTION 3 CONTROL BOX

3.1 Control Box

522770_001
522770_MANUAL



REF.	DESCRIPTION (* Indicates Parts Available in Assemblies Only)	PART NO.	QTY	
	BOX, HR500-1/700-1 CONTROL - COMPLETE	522760	1	
	BOX, HR500-2/700-2 CONTROL - COMPLETE	522762	1	
	BOX, HR500-3/700-3 CONTROL - COMPLETE	522764	1	

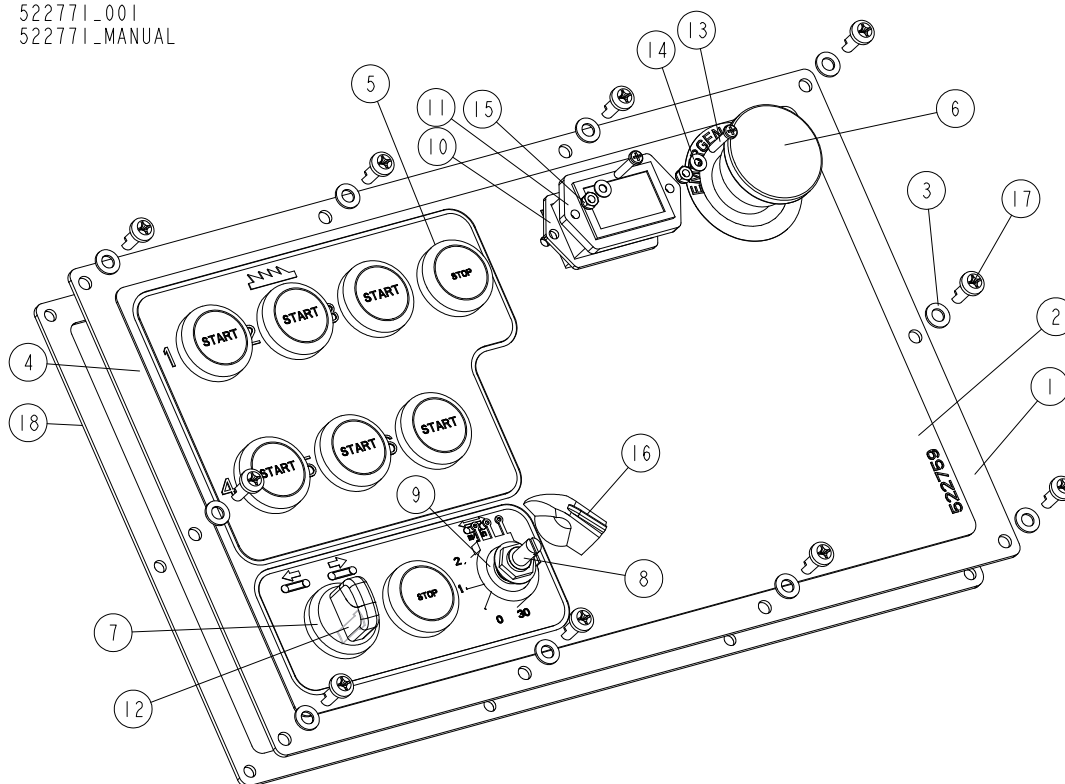
REF.	DESCRIPTION (* Indicates Parts Available in Assemblies Only)	PART NO.	QTY	
	BOX, HR500-4/700-4 CONTROL - COMPLETE	522766	1	
	BOX, HR500-5/700-5 CONTROL - COMPLETE	522768	1	
-	BOX, HR500-6/700-6 CONTROL - COMPLETE	522770	1	
1	PEDESTAL, CONTROL BOX	505555-1	1	
2	BOX WELDMENT	510061-1	1	
3	PANEL, HR500-6/700-6 FRONT CONTROL - COMPLETE See Section 3.2	522771	1	
	PANEL, HR500-1/700-1 FRONT CONTROL - COMPLETE See Section 3.2	522761		
	PANEL, HR500-2/700-2 FRONT CONTROL - COMPLETE See Section 3.2	522763		
	PANEL, HR500-3/700-3 FRONT CONTROL - COMPLETE See Section 3.2	522765		
	PANEL, HR500-4/700-4 FRONT CONTROL - COMPLETE See Section 3.2	522767		
	PANEL, HR500-5/700-5 FRONT CONTROL - COMPLETE See Section 3.2	522769		
4	PLATE, WM1000 PEDESTAL REAR	504499-1	1	
5	CAP, HEYMAN DP-812 12.7 HOLE	086773	6	
6	CAP, SR1086 22.2 HOLE	093544	2	
7	COVER, CONTROL BOX - COMPLETE	097135-1	1	
8	WASHER, 8.4 FLAT ZINC	F81054-1	2	
9	WASHER, 8.2 SPLIT LOCK ZINC	F81054-4	2	
10	BOLT, M8X20 8.8 HEX HEAD FULL THREAD ZINC	F81002-4	2	
11	WASHER, 6.4 FLAT ZINC	F81053-1	8	
12	WASHER, Z6.1 SPLIT LOCK ZINC	F81053-3	8	
13	BOLT, M6X16-8.8 HEX HEAD FULL THREAD ZINC	F81001-15	8	
14	WASHER, 5.3 FLAT ZINC	F81052-1	4	
15	BOLT, #10-24X1/2 PH PAN HEAD, TYPE 23	F05015-17	4	
16	GLAND, KCLICK-GP29 RILL 29 CONDUIT	086576	1	

3

Control Box Front Control Panel

3.2 Front Control Panel

522771_001
522771_MANUAL



REF.	DESCRIPTION (* Indicates Parts Available in Assemblies Only)	PART NO.	QTY
	PANEL, HR500-1/700-1 FRONT CONTROL - COMPLETE	522761	1
	PANEL, HR500-2/700-2 FRONT CONTROL - COMPLETE	522763	1
	PANEL, HR500-3/700-3 FRONT CONTROL - COMPLETE	522765	1
	PANEL, HR500-4/700-4 FRONT CONTROL - COMPLETE	522767	1
	PANEL, HR500-5/700-5 FRONT CONTROL - COMPLETE	522769	1
-	PANEL, HR500-6/700-6 FRONT CONTROL - COMPLETE	522771	1
1	PANEL, HR500/700 FRONT CONTROL	521655-1	1
2	DECAL, HR500/700 CONTROL BOX	522759	1
3	WASHER, 5.3 FLAT ZINC	F81052-1	10
4	BUTTON, M22 24V GREEN ILLUMINATED START	090925	6
5	BUTTON, M22 RED STOP	090926	2
6	BUTTON, XB4 BS542 EMERGENCY STOP	086556	1
7	SWITCH, M22 3-POSITION GREEN ILLUMINATED	091359	1
8	POTENTIOMETER, 5K 53C35K	504389	1
9	WASHER, 1/2"X3/4"X 5/8" NYLON	P05251-1	1
10	GASKET, HOUR METER	093346	1
11	METER, HOUR (HOBBS-HONEYWELL)	093166	1
12	ADAPTER, M22-XC-Y CODING	092687	1
13	SCREW, M3X16 5.8-B CROSS RECESSED PAN HEAD ZINC	F81028-3	2
14	WASHER, 3.2 FLAT ZINC	F81050-2	2
15	NUT, M3-6 HEX NYLON ZINC LOCK	F81028-2	2
16	KNOB, SPEED CONTROL	P06257	1

REF.	DESCRIPTION (* Indicates Parts Available in Assemblies Only)	PART NO.	QTY	
17	BOLT, #10-24X1/2 PH	F05015-17	10	
18	GASKET, CONTROL BOX	097132	1	

4

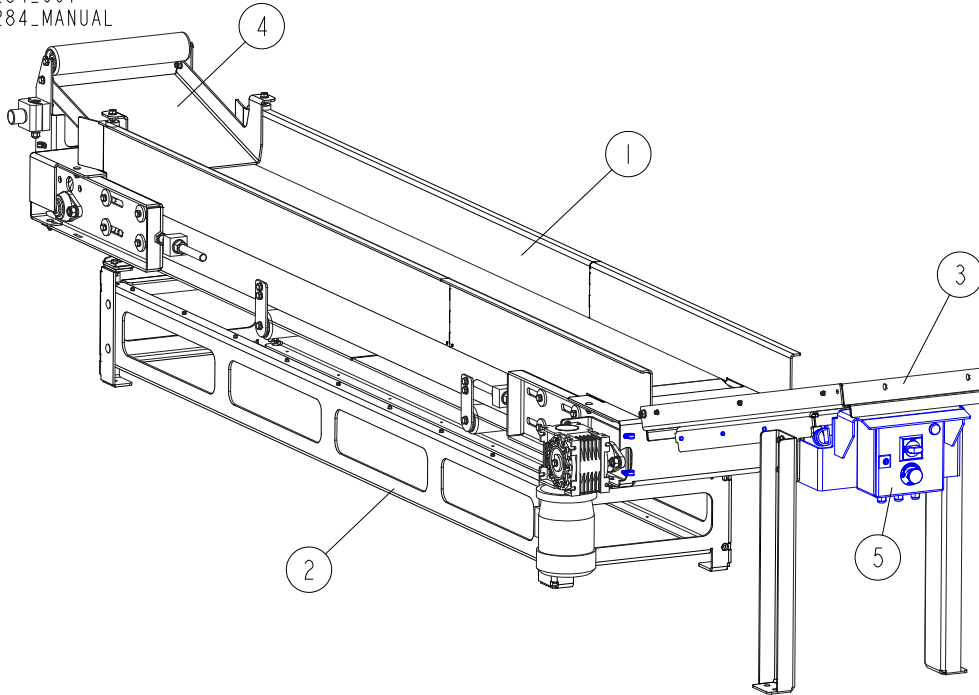
Return Conveyors (Option)

Return Conveyor, HR500-1/HR700-1/HR500-2/HR700-2

SECTION 4 RETURN CONVEYORS (OPTION)

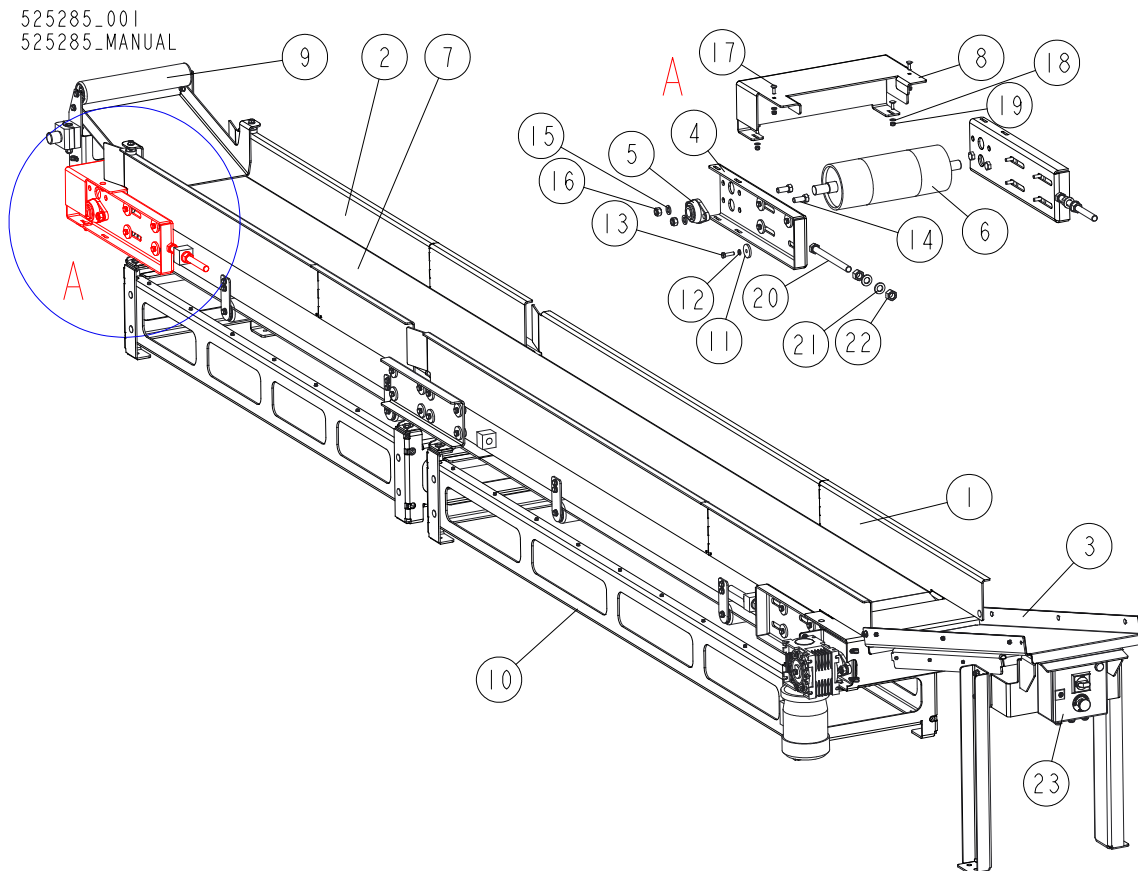
4.1 Return Conveyor, HR500-1/HR700-1/HR500-2/HR700-2

525284_001
525284_MANUAL



REF.	DESCRIPTION (* indicates parts available in assemblies only)	PART NO.	QTY
-	RETURN CONVEYOR, HR500-1/HR700-1/HR500-2/HR700-2 - COMPLETE	525284	1
1	CONVEYOR, HR500/HR700 MAIN RETURN - COMPLETE See Section 4.5	522740	1
2	BASE, MAIN RETURN CONVEYOR - COMPLETE See Section 4.7	525298	1
3	TABLE, REAR INCLINE - COMPLETE See Section 4.8	522741	1
4	ROLLER, FRONT - COMPLETE See Section 4.9	522755	1
5	BOX, ELECTRIC See Section 4.10	525316	1

4.2 Return Conveyor, HR500-3/HR700-3/HR500-4/HR700-4

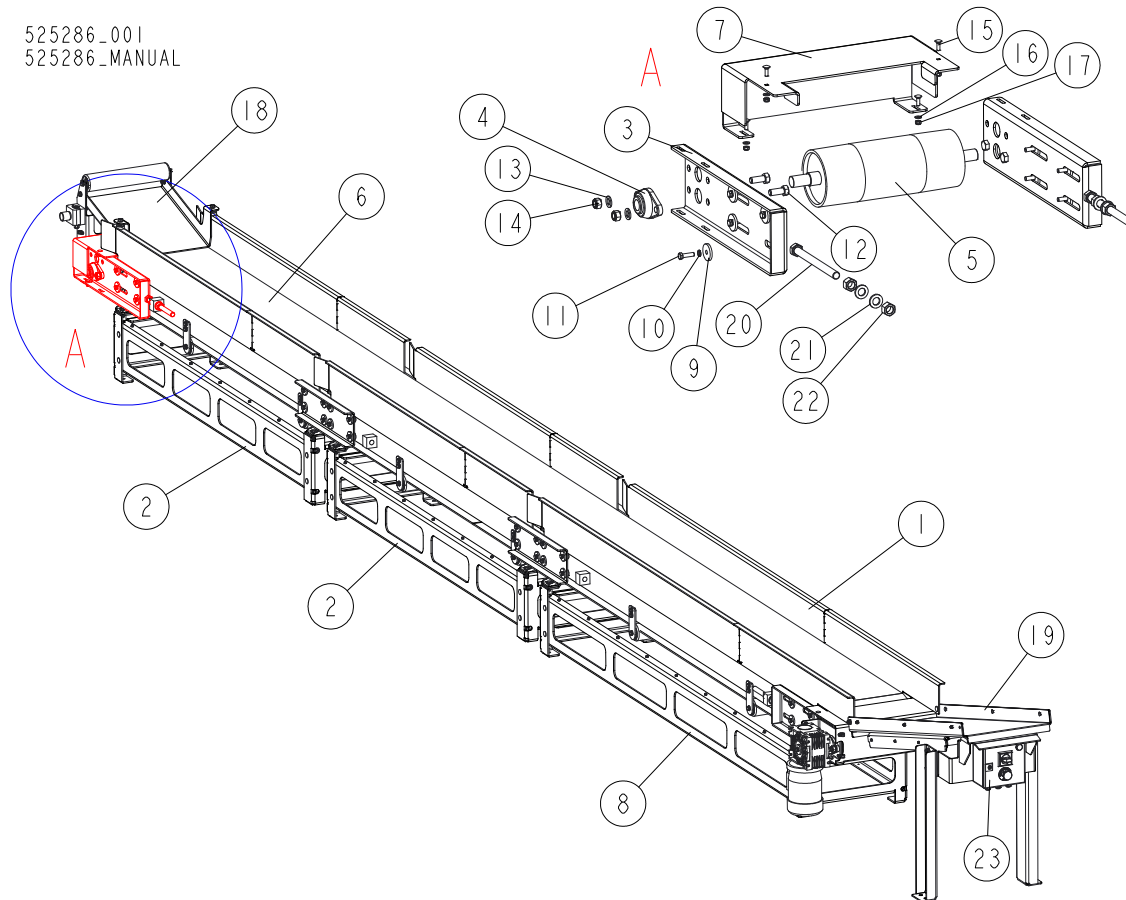


REF.	DESCRIPTION (* indicates parts available in assemblies only)	PART NO.	QTY
-	CONVEYOR, HR500-3/HR700-3/HR500-4/HR700-4 RETURN - COMPLETE	525285	1
1	CONVEYOR, HR500/HR700 MAIN RETURN See Section 4.6	525295	1
2	EXTENSION, RETURN CONVEYOR TABLE - COMPLETE See Section 4.4	525288	1
3	TABLE, REAR INCLINE - COMPLETE See Section 4.8	522741	1
4	BRACKET, HR110/115 PULLEY MOUNT	504133-1	2
5	BEARING, UCFL 206 (CX) BALL	090851	2
6	PULLEY WELDMENT, HR110/115 IDLE SIDE	503776-1	1
7	BELT, L=11300 B=380	525296	1
8	GUARD, HR110/115 BELT RIGHT	504134-1	1
9	ROLLER, FRONT - COMPLETE See Section 4.9	522755	1
10	BASE, MAIN RETURN CONVEYOR - COMPLETE See Section 4.7	525298	1
11	WASHER, 10.5/45-6 ZINC-PLATED	086286-1	8
12	WASHER, Z 10.2 SPLIT LOCK ZINC	F81055-2	8
13	BOLT, M10X35 8.8 HEX HEAD FULL THREAD ZINC	F81003-17	8
14	BOLT, M16X40-8.8 HEX HEAD FULL THREAD ZINC	F81006-13	4
15	WASHER, 17 SPLIT LOCK ZINC	F81058-1	4
16	NUT, M16-8 HEX NYLON ZINC LOCK	F81036-2	4
17	BOLT, M8X25-8.8 CARRIAGE ZINC	F81002-59	4
18	WASHER, 8.4 FLAT ZINC	F81054-1	4
19	NUT, M8-8-B HEX NYLON ZINC LOCK	F81032-2	4
20	BOLT, M20X240-8.8 HEX HEAD FULL THREAD ZINC	F81007-1	2

4**Return Conveyors (Option)***Return Conveyor, HR500-3/HR700-3/HR500-4/HR700-4*

REF.	DESCRIPTION (* indicates parts available in assemblies only)	PART NO.	QTY	
21	WASHER, 21 FLAT ZINC	F81059-2	4	
22	NUT, M20-8 HEX ZINC	F81037-1	4	
23	BOX, ELECTRIC See Section 4.10	525316	1	

4.3 Return Conveyor, HR500-5/HR700-5/HR500-6/HR700-6



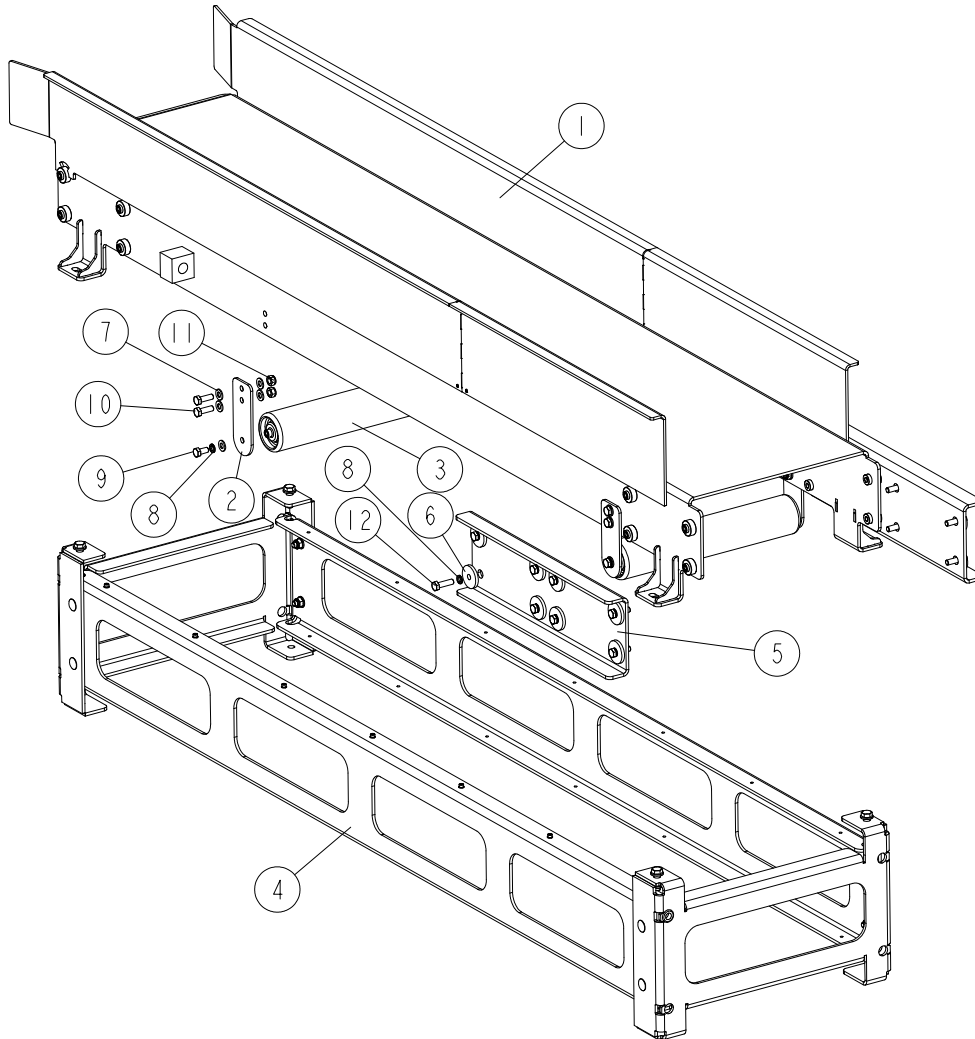
REF.	DESCRIPTION (* indicates parts available in assemblies only)	PART NO.	QTY
-	RETURN CONVEYOR, HR500-5/HR700-5/HR500-6/HR700-6	525286	1
1	CONVEYOR, HR500/HR700 MAIN RETURN See Section 4.6	525295	1
2	EXTENSION, RETURN CONVEYOR TABLE - COMPLETE See Section 4.4	525288	2
3	BRACKET, HR110/115 PULLEY MOUNT	504133-1	2
4	BEARING, UCFL 206 (CX) BALL	090851	2
5	PULLEY WELDMENT, HR110/115 IDLE SIDE	503776-1	1
6	BELT, L=15650 B=380	525297	1
7	GUARD, HR110/115 BELT RIGHT	504134-1	1
8	BASE, MAIN RETURN CONVEYOR - COMPLETE See Section 4.7	525298	1
9	WASHER, 10.5/45-6 ZINC-PLATED	086286-1	8
10	WASHER, Z 10.2 SPLIT LOCK ZINC	F81055-2	8
11	BOLT, M10X35 8.8 HEX HEAD FULL THREAD ZINC	F81003-17	8
12	BOLT, M16X40-8.8 HEX HEAD FULL THREAD ZINC	F81006-13	4
13	WASHER, 17 SPLIT LOCK ZINC	F81058-1	4
14	NUT, M16-8 HEX NYLON ZINC LOCK	F81036-2	4
15	BOLT, M8X25-8.8 CARRIAGE ZINC	F81002-59	4
16	WASHER, 8.4 FLAT ZINC	F81054-1	4
17	NUT, M8-8-B HEX NYLON ZINC LOCK	F81032-2	4
18	ROLLER, FRONT - COMPLETE See Section 4.9	522755	1
19	TABLE, REAR INCLINE - COMPLETE See Section 4.8	522741	1

4**Return Conveyors (Option)***Return Conveyor, HR500-5/HR700-5/HR500-6/HR700-6*

REF.	DESCRIPTION (* indicates parts available in assemblies only)	PART NO.	QTY	
20	BOLT, M20X240-8.8 HEX HEAD FULL THREAD ZINC	F81007-1	2	
21	WASHER, 21 FLAT ZINC	F81059-2	4	
22	NUT, M20-8 HEX ZINC	F81037-1	4	
23	BOX, ELECTRIC See Section 4.10	525316	1	

4.4 Return Conveyor Table Extension

525288-001
525288-MANUAL



REF.	DESCRIPTION (* indicates parts available in assemblies only)	PART NO.	QTY
-	EXTENSION, RETURN CONVEYOR TABLE - COMPLETE	525288	1
1	EXTENSION, RETURN CONVEYOR	525289-1	1
2	PLATE, HR110/115 ROLLER MOUNT	503782-1	4
3	ROLLER, N76.1X400 W/M10 INTERNAL THREAD	093787	2
4	BASE, CONVEYOR TABLE EXTENSION - COMPLETE See Section 4.7	525304	1
5	BRACKET, CONVEYOR TABLE ZINC-PLATED CONNECTION	525307-1	2
6	WASHER, 10.5/45-6 ZINC-PLATED	086286-1	16
7	WASHER, 10.5 FLAT ZINC	F81055-1	20
8	WASHER, Z 10.2 SPLIT LOCK ZINC	F81055-2	20
9	BOLT, M10X20-8.8 HEX HEAD FULL THREAD ZINC	F81003-1	4
10	BOLT, M10X30-8.8 HEX HEAD FULL THREAD ZINC	F81003-2	8
11	NUT, M10-8-BZ HEX NYLON ZINC LOCK	F81033-1	8
12	BOLT, M10X35 8.8 HEX HEAD FULL THREAD ZINC	F81003-17	16

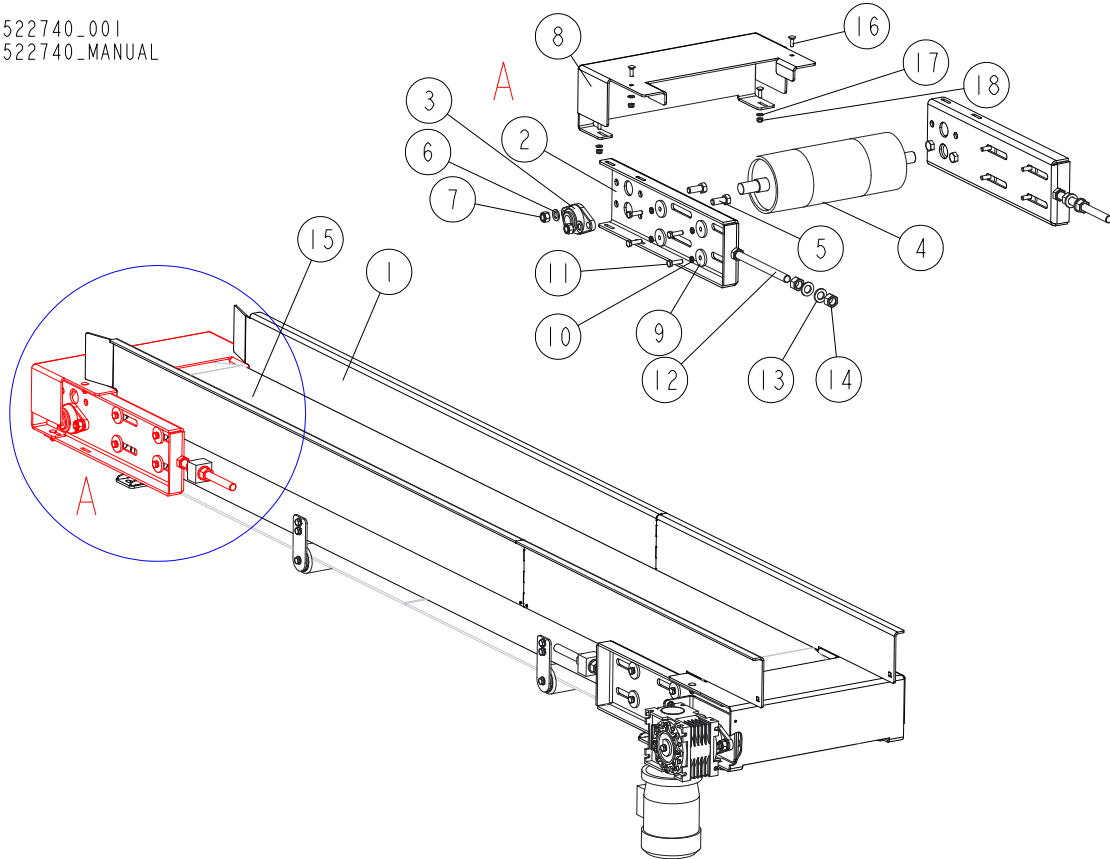
4

Return Conveyors (Option)

Main Return Conveyor

4.5 Main Return Conveyor

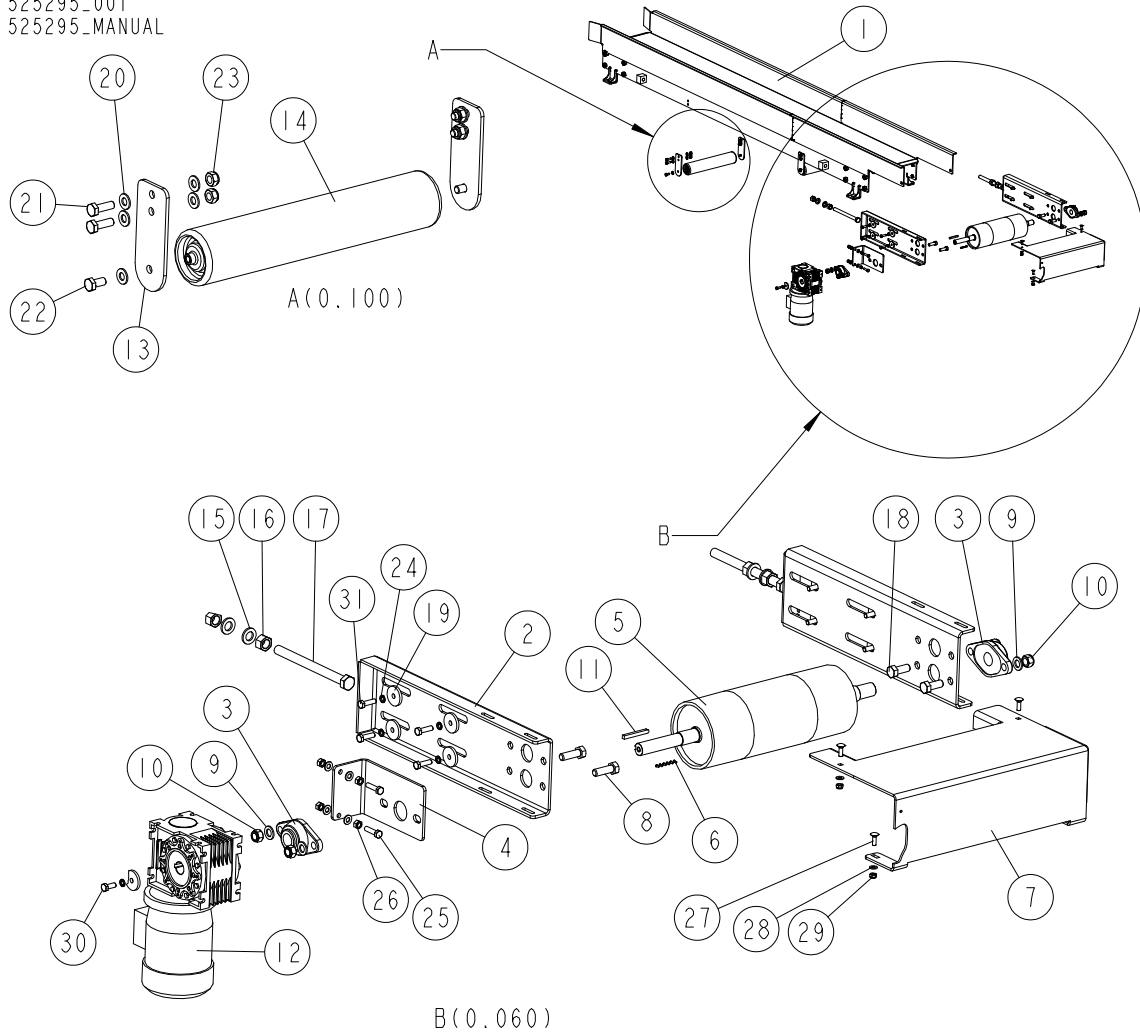
522740_001
522740_MANUAL



REF.	DESCRIPTION (* indicates parts available in assemblies only)	PART NO.	QTY
-	CONVEYOR, HR500/HR700 MAIN RETURN - COMPLETE	522740	1
1	CONVEYOR, HR500/HR700 MAIN RETURN See Section 4.6	525295	1
2	BRACKET, HR110/115 PULLEY MOUNT	504133-1	2
3	BEARING, UCFL 206 (CX) BALL	090851	2
4	PULLEY WELDMENT, HR110/115 IDLE SIDE	503776-1	1
5	BOLT, M16X40-8.8 HEX HEAD FULL THREAD ZINC	F81006-13	4
6	WASHER, 17 SPLIT LOCK ZINC	F81058-1	4
7	NUT, M16-8 HEX NYLON ZINC LOCK	F81036-2	4
8	GUARD, HR110/115 BELT RIGHT	504134-1	1
9	WASHER, 10.5/45-6 ZINC-PLATED	086286-1	8
10	WASHER, Z 10.2 SPLIT LOCK ZINC	F81055-2	8
11	BOLT, M10X35 8.8 HEX HEAD FULL THREAD ZINC	F81003-17	8
12	BOLT, M20X240-8.8 HEX HEAD FULL THREAD ZINC	F81007-1	2
13	WASHER, 21 FLAT ZINC	F81059-2	4
14	NUT, M20-8 HEX ZINC	F81037-1	4
15	BELT, L=6900 B=380	522752	1
16	BOLT, M8X25-8.8 CARRIAGE ZINC	F81002-59	4
17	WASHER, 8.4 FLAT ZINC	F81054-1	4
18	NUT, M8-8-B HEX NYLON ZINC LOCK	F81032-2	4

4.6 Main Return Conveyor

525295_001
525295_MANUAL



B(0.060)

REF.	DESCRIPTION (* indicates parts available in assemblies only)	PART NO.	QTY
-	CONVEYOR, HR500/HR700 MAIN RETURN	525295	1
1	TABLE, HR500/HR700 MAIN RETURN CONVEYOR	522737-1	1
2	BRACKET, HR110/115 PULLEY MOUNT	504133-1	2
3	BEARING, UCFL 206 (CX) BALL	090851	2
4	ARM, HR110/115 TORQUE	504856-1	1
-	PULLEY, DRIVE W/LAGGING	506519	1
5	PULLEY WELDMENT, HR110/115 DRIVE	503781-1	1
-	ADHESIVE, TEXCOL	090875	1
6	RIVET, P AL/FE 4X10 TUBULAR W/CORE	F81021-1	6
7	GUARD, HR BELT LEFT	504122-1	1
8	BOLT, M16X50-8.8 HEX HEAD FULL THREAD ZINC	F81006-7	2
9	WASHER, 17 SPLIT LOCK ZINC	F81058-1	4
10	NUT, M16-8 HEX NYLON ZINC LOCK	F81036-2	4
11	KEY, AB 8X7X70 PARALLEL	089231	1
12	MOTOREDUCER, MR-63/49/0.55-1400/F3/N+S/V6	505080	1
13	PLATE, HR110/115 ROLLER MOUNT	503782-1	4
14	ROLLER, N76.1X400 W/M10 INTERNAL THREAD	093787	2

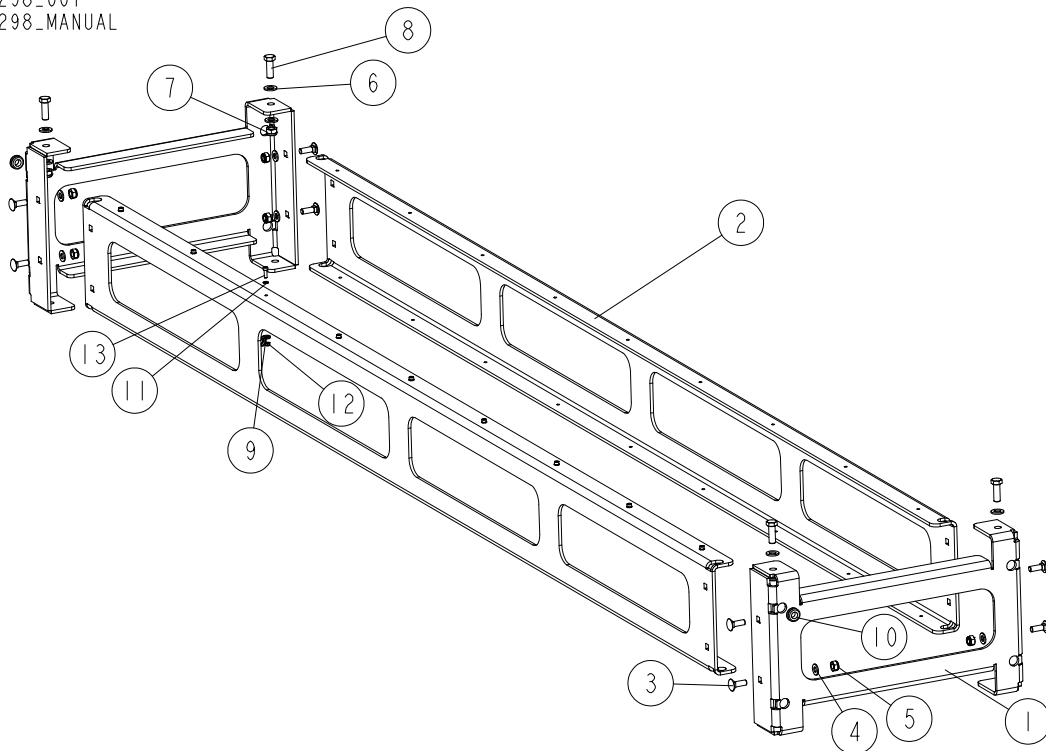
4

Return Conveyors (Option)*Main Return Conveyor*

REF.	DESCRIPTION (* indicates parts available in assemblies only)	PART NO.	QTY	
15	WASHER, 21 FLAT ZINC	F81059-2	4	
16	NUT, M20-8 HEX ZINC	F81037-1	4	
17	BOLT, M20X240-8.8 HEX HEAD FULL THREAD ZINC	F81007-1	2	
18	BOLT, M16X40-8.8 HEX HEAD FULL THREAD ZINC	F81006-13	2	
19	WASHER, 10.5/45-6 ZINC-PLATED	086286-1	9	
20	WASHER, 10.5 FLAT ZINC	F81055-1	24	
21	BOLT, M10X30-8.8 HEX HEAD FULL THREAD ZINC	F81003-2	8	
22	BOLT, M10X20-8.8 HEX HEAD FULL THREAD ZINC	F81003-1	4	
23	NUT, M10-8-B HEX NYLON ZINC LOCK	F81033-1	8	
24	WASHER, Z 10.2 SPLIT LOCK ZINC	F81055-2	9	
25	BOLT, M10X40-8.8 HEX HEAD FULL THREAD ZINC	F81003-16	2	
26	NUT, M10 8 HEX ZINC	F81033-3	4	
27	BOLT, M8X25-8.8 CARRIAGE ZINC	F81002-59	4	
28	WASHER, 8.4 FLAT ZINC	F81054-1	4	
29	NUT, M8-8-B HEX NYLON ZINC LOCK	F81032-2	4	
30	BOLT, M10X25 8.8 HEX HEAD FULL THREAD ZINC	F81003-11	1	
31	BOLT, M10X35 8.8 HEX HEAD FULL THREAD ZINC	F81003-17	8	

4.7 Main Return Conveyor Base

525298_001
525298_MANUAL



REF.	DESCRIPTION (* indicates parts available in assemblies only)	PART NO.	QTY	QTY
-	BASE, MAIN RETURN CONVEYOR - COMPLETE	525298	1	-
-	BASE, MAIN RETURN CONVEYOR - COMPLETE	525304	-	1
1	LEG, CONVEYOR BASE	525299-1	2	2
2	BEAM, LONG SIDE	525303-1	2	2
	BEAM, SHORT SIDE	525305-1	2	2
3	BOLT, M10X30-8.8 CARRIAGE ZINC	F81003-101	8	8
4	WASHER, 10.5 FLAT ZINC	F81055-1	8	8
5	NUT, M10-8-B HEX NYLON ZINC LOCK	F81033-1	8	8
6	WASHER, 13 FLAT ZINC	F81056-1	8	8
7	NUT, M12 8 HEX NYLON ZINC LOCK	F81034-2	4	4
8	BOLT, M12X35 8.8 HEX HEAD FULL THREAD ZINC	F81004-24	4	4
9	CLIP, RSGU 1.10/12W1 METAL & RUBBER RETAINING	086861	9	7
10	GROMMET, 20/13 RUBBER	086188	2	2
11	WASHER, 5.3 FLAT ZINC	F81052-1	9	7
12	NUT, M5-8 DIN985 ZINC-PLATED	F81030-2	9	7
13	SCREW, M5X16-8.8 HEX SOCKET HEAD CAP ZINC	F81000-25	9	7

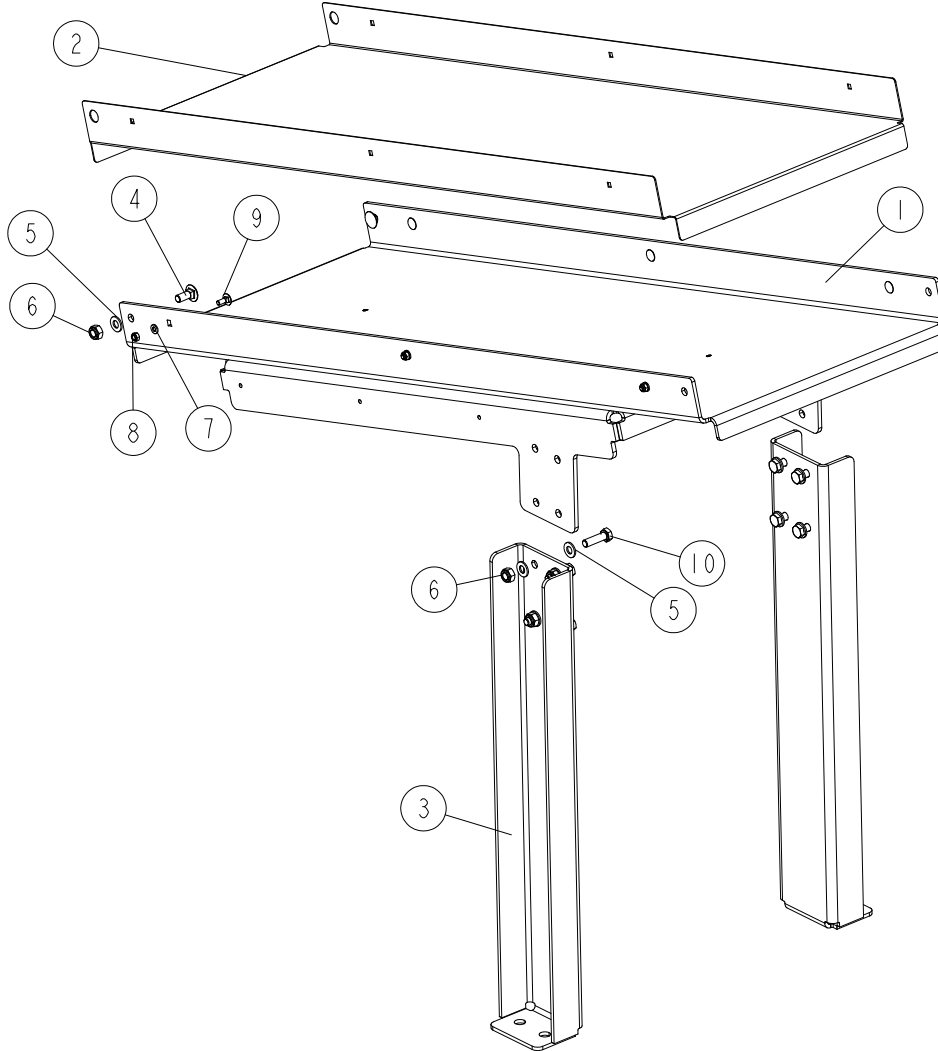
4

Return Conveyors (Option)

Rear Incline Table

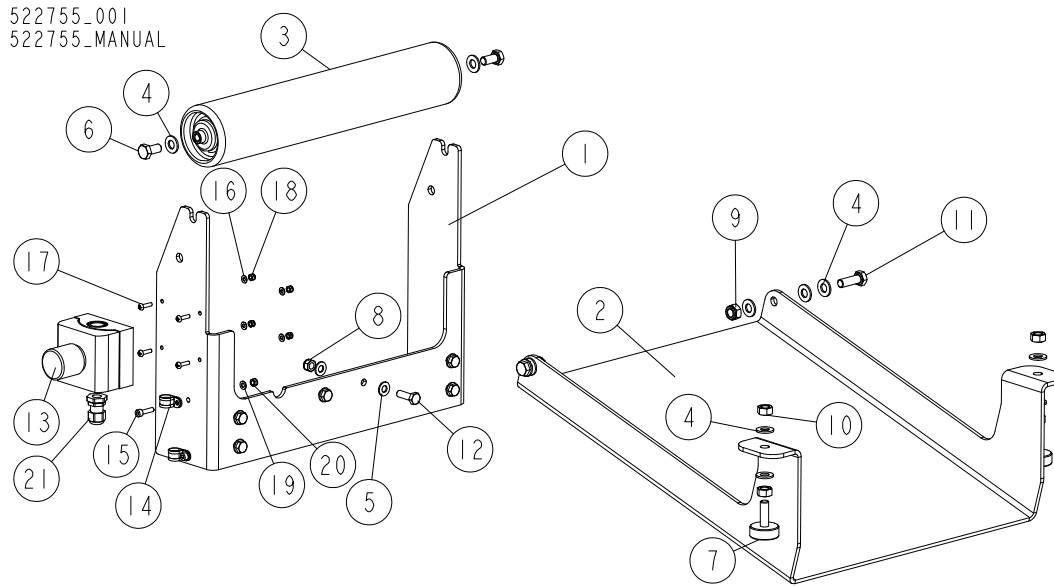
4.8 Rear Incline Table

522741_001
522741_MANUAL



REF.	DESCRIPTION (* indicates parts available in assemblies only)	PART NO.	QTY
-	TABLE, REAR INCLINE - COMPLETE	522741	1
1	PLATE, BASE	522742-1	1
2	PLATE, TOP SLIDE	522745	1
3	LEG, REAR INCLINE TABLE	522750-1	2
4	BOLT, M10X25-8.8 CARRIAGE ZINC	F81003-59	2
5	WASHER, 10.5 FLAT ZINC	F81055-1	18
6	NUT, M10-8-B HEX NYLON ZINC LOCK	F81033-1	10
7	WASHER, 6.4 FLAT ZINC	F81053-1	6
8	NUT, M6-8-B HEX NYLON ZINC LOCK	F81031-2	6
9	BOLT, M6X16-8.8 CARRIAGE ZINC	F81001-36	6
10	BOLT, M10X35 8.8 HEX HEAD FULL THREAD ZINC	F81003-17	8

4.9 Front Roller



522755-001
522755-MANUAL

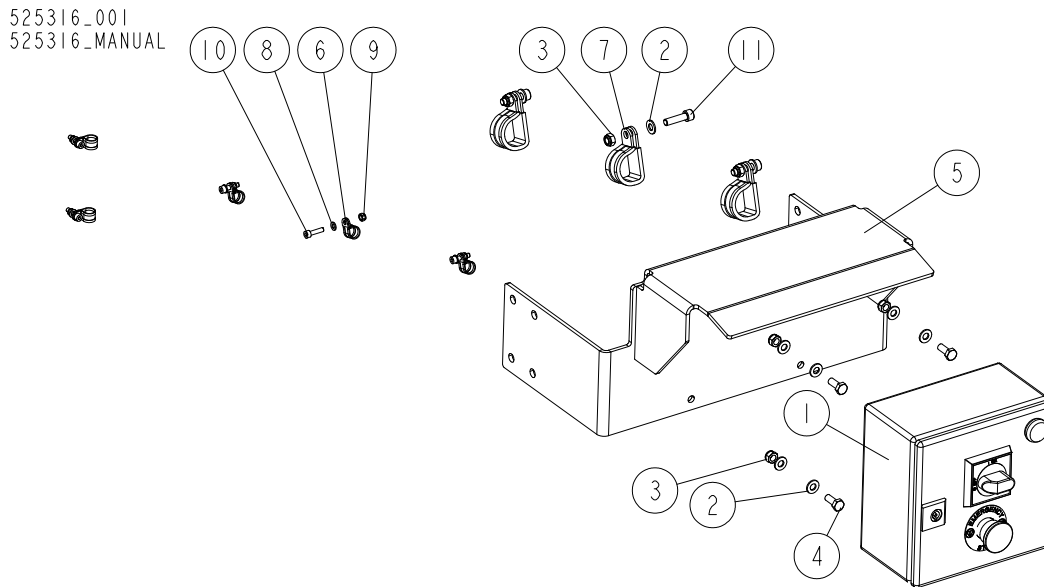
REF.	DESCRIPTION (* indicates parts available in assemblies only)	PART NO.	QTY
-	ROLLER, FRONT - COMPLETE	522755	1
1	BRACKET, FRONT ROLLER MOUNT	522756-1	1
2	PLATE, INCLINE	522757-1	1
3	ROLLER, N76.1X400 W/M10 INTERNAL THREAD	093787	1
4	WASHER, 10.5 FLAT ZINC	F81055-1	12
5	WASHER, 8.4 FLAT ZINC	F81054-1	12
6	BOLT, M10X20-8.8 HEX HEAD FULL THREAD ZINC	F81003-1	2
7	FOOT, M10	092839	2
8	NUT, M8-8-B HEX NYLON ZINC LOCK	F81032-2	6
9	NUT, M10-8-B HEX NYLON ZINC LOCK	F81033-1	2
10	NUT, M10 8 HEX ZINC	F81033-3	4
11	BOLT, M10X30-8.8 HEX HEAD FULL THREAD ZINC	F81003-2	2
12	BOLT, M8X25-8.8-B HEX HEAD FULL THREAD ZINC	F81002-5	6
13	SWITCH, M22-PV/KCO2 EMERGENCY STOP	094726	1
14	CLIP, RSGU 1.10/12W1 METAL & RUBBER RETAINING	086861	2
15	SCREW, M5X20 8.8 HEX SOCKET HEAD CAP ZINC	F81000-72	2
16	WASHER, 4.3 FLAT ZINC	F81051-2	4
17	SCREW, M4X16 5.8-B CROSS RECESSED PAN HEAD ZINC	F81011-42	4
18	NUT, M4-8 HEX NYLON ZINC LOCK	F81029-1	4
19	WASHER, 5.3 FLAT ZINC	F81052-1	2
20	NUT, M5-8 DIN985 ZINC-PLATED	F81030-2	2
21	GLAND, DP 9/H CABLE	F81096-2	1

4

Return Conveyors (Option)

Electric Box Assembly

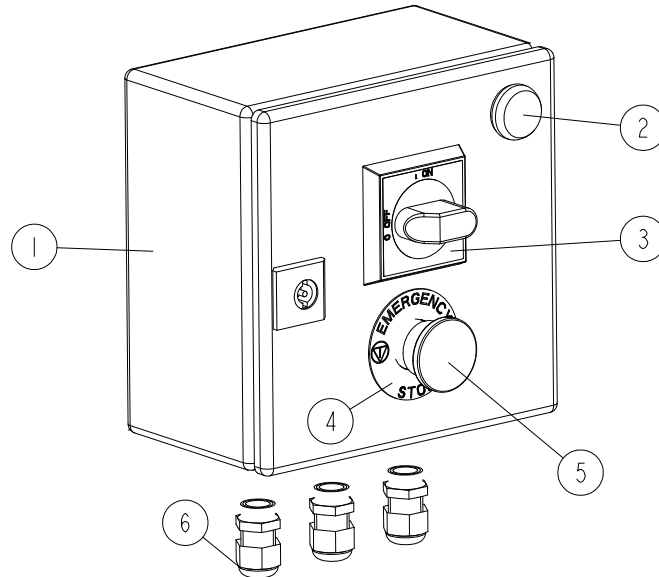
4.10 Electric Box Assembly



REF.	DESCRIPTION (* indicates parts available in assemblies only)	PART NO.	QTY
-	BOX, RETURN CONVEYOR ELECTRIC	525316	1
1	BOX, (200X200X120) ELECTRIC - COMPLETE See Section 4.11	527155	1
2	WASHER, 8.4 FLAT ZINC	F81054-1	11
3	NUT, M8-8-B HEX NYLON ZINC LOCK	F81032-2	7
4	BOLT, M8X20 8.8 HEX HEAD FULL THREAD ZINC	F81002-4	4
5	BRACKET, 200X200X120 ELECTRIC BOX MOUNT	525318-1	1
6	CLIP, RSGU 1.10/12W1 METAL & RUBBER RETAINING	086861	5
7	CLIP, RSGU 1.30/20 W1 METAL & RUBBER RETAINING	F81087-1	3
8	WASHER, 5.3 FLAT ZINC	F81052-1	5
9	NUT, M5-8 DIN985 ZINC-PLATED	F81030-2	5
10	SCREW, M5X20 8.8 HEX SOCKET HEAD CAP ZINC	F81000-72	5
11	SCREW, M8X30-8.8 HEX SOCKET HEAD CAP ZINC	F81002-31	3

4.11 Return Conveyor Electric Box

527155_001
527155_MANUAL



REF.	DESCRIPTION (* indicates parts available in assemblies only)	PART NO.	QTY
-	BOX, 200x200x120 ELECTRIC - COMPLETE	527155 ¹	1
1	BOX, EB 1549500 (200X200X80) ELECTRIC	089802	1
2	LIGHT, 1SFA619402L5415 WHITE CONTROL	509129	1
3	HANDLE, OHB S2A1 ABB SWITCH	502312-1	1
4	WASHER, EMERGENCY STOP SWITCH	086561	1
5	SWITCH, XB4 BS542 EMERGENCY STOP	086556	1
6	GLAND, DW11/H CABLE	085388	3

¹ The remaining electric box components are included in the Electrical Components List provided with the electrical diagram.