

SLP Line

Safety, Operation, Maintenance and Parts Manual

SLP

rev.A1.00



Safety is our #1 concern! Read and understand all safety information and instructions before operating, setting up or maintaining this machine.

Form #1021

Table of Contents

Section-Page

General Contact Information
Branches & Authorized Sales Centers
Wood-Mizer Locations (North and South America)

SECTION 1	SAFETY INSTRUCTIONS	1-1
1.1	Safety Symbols.....	1-1
1.2	Safety Instructions.....	1-2
	<i>Observe Safety Instructions</i>	
	<i>Wear Safety Clothing</i>	
	<i>Keep the Equipment and Area Around Clean</i>	
	<i>Dispose Of Sawing By-Products Properly</i>	
	<i>Check the Equipment Before Operation</i>	
	<i>Keep Persons Away</i>	
	<i>Keep Hands Away</i>	
	<i>Use Proper Maintenance Procedures</i>	
	<i>Keep Safety Labels In Good Condition</i>	
	<i>Safety Labels Description</i>	
SECTION 2	OPERATION	2-1
2.1	General Information	2-1
2.2	SLP Line Components.....	2-1
	<i>TVS, SVS, SHS, HR500</i>	
	<i>Transfer Tables</i>	
2.3	SLP Line Layout.....	2-6
2.4	SLP Line Setup.....	2-8
2.5	Transfer Deck Operation	2-15
SECTION 3	MAINTENANCE	3-1
3.1	Lubrication	3-1
3.2	Transfer Chain Tension	3-1
3.3	Drive Chain Tension.....	3-1
3.4	Safety Devices Inspection	3-2
3.5	Electric Maintenance Procedures	3-2
SECTION 4	SPECIFICATIONS	4-1
4.1	Transfer Deck Dimensions	4-1
4.2	Motor Specifications	4-13
4.3	Dust Extractor Specifications	4-14
4.4	Noise Level.....	4-15
SECTION 5	GENERAL INFORMATION	5-1
5.1	How To Use The Parts List	5-1
5.2	Sample Assembly	5-1

Table of Contents

Section-Page

SECTION 6	ROLLER CONVEYORS	6-1
6.1	Roller Conveyor, CR 1, 2, 3 - 3.6	6-1
6.2	Middle Module, CR 1, 2, 3 - 1.8	6-2
6.3	Extension Drive Module	6-3
6.4	Short Leg	6-5
6.5	Conveyor Extension Module, CR 1, 2, 3	6-6
6.6	Roller Conveyor Drive Assembly	6-7
6.7	Middle Table Roller Assembly	6-8
6.8	Wide Roller Module	6-10
6.9	CR4 Centring Table	6-12
6.10	Log Centring System	6-14
6.11	Air Box	6-17
6.12	CR5 Roller Conveyor w/Side Positioning System	6-19
6.13	Side Rollers	6-21
6.14	CR6 Roller Conveyor w/Side Movement Device	6-22
6.15	Electric Box, CR6-P	6-24
6.16	Side Movement Device	6-25
6.17	Roller Conveyor Kit, CR7-2_4	6-27
6.18	Roller Conveyor Kit, CR7-3_6	6-28
6.19	Roller Conveyor Kit, CR8-2_4	6-29
6.20	Roller Conveyor Kit, CR8-3_6	6-30
6.21	Roller Conveyor, 1300/1000	6-31
6.22	Single Guide Roller Assembly	6-32
6.23	Guide Roller, TVS	6-33
6.24	Guide Roller Assembly	6-35
6.25	Guide Roller Mount	6-36
6.26	Decals	6-38
6.27	Roller Set, CR6-1.8	6-39
6.28	CR6 Table Roller Module (12B-1 Chain).....	6-40
6.29	Bed Frame and Activator Plate Assembly.....	6-42
6.30	Leg Set, CR6-1.8	6-43
6.31	Chain, CR6-1.8.....	6-44
6.32	Electrical Equipment, CR6-1.8.....	6-45
6.33	Electrical Equipment, CR6-1.8.....	6-47
6.34	Roller Set with Directional Chain, CR6-3.6.....	6-49
6.35	Table Roller Module with Drive, CR6-3.6.....	6-50
6.36	Table Roller Module with Mech. Drive, CR6-3.6.....	6-52
6.37	Bed Frame and Activator Plate Assembly.....	6-54
6.38	Line Extension Assembly.....	6-55
6.39	Leg Set, CR6-3.6	6-57
6.40	Motor Kit, CR6C-P H=400V	6-58
6.41	Motor Kit, CR6C/H-P	6-59
6.42	Motor Kit, CR6C P.....	6-61
6.43	Motor Kit, CR6 P 3X460V UL	6-62

Table of Contents

Section-Page

6.44	Chain, CR6-3.6.....	6-63
6.45	Roller Table Drive Assembly.....	6-64
6.46	Chain Set, CR6-5.4.....	6-65
6.47	Chain Set, CR6-7.2.....	6-66
6.48	Roller Set with Directional Chain.....	6-67
6.49	CR6 Table Roller Module (12B-1 Chain).....	6-68
6.50	Conveyor - EXT Module.....	6-70
6.51	Medium Roller Assembly. 507896.....	6-71
6.52	Activator Plate Assembly. 506320.....	6-73
6.53	Chain Tensioner Assembly. 515276.....	6-74
6.54	Side Positioning System. 508491.....	6-75

SECTION 7 ROLLER CONVEYOR W/SIDE MOVEMENT DEVICE, CR6-5_4C-P-SLP2-001

7-1

7.1	Roller Conveyor.....	7-1
7.2	Automatic Tensioner Assembly.....	7-3
7.3	Chain Tensioner.....	7-4
7.4	Plate Assembly, Segment Connection.....	7-5
7.5	Electrical Box Mount Plate, SLP2-001.....	7-6
7.6	Drivetrain.....	7-7
7.7	Drive Assembly, Side Movement Device.....	7-9
7.8	Coupling.....	7-10

SECTION 8 CR8-3_6H-SLP2-002 CONVEYOR

8-1

8.1	Roller Conveyor w/Centering System.....	8-1
8.2	Guide Plate Asssembly.....	8-2
8.3	CR3-EXT-M1-SLP2-002.....	8-3
8.4	Segment Connection Bracket.....	8-4
8.5	CR3-EXT-M2-SLP2-002.....	8-5
8.6	CR4-3_6-SLP2-002.....	8-6
8.7	Electric Box, CR8-3_6.....	8-7
8.8	Air Box Assembly.....	8-8
8.9	Centering Plate Assembly.....	8-9
8.10	Centering System.....	8-10
8.11	Pneumatic Cylinder.....	8-12
8.12	Centering System Arm.....	8-13
8.13	Centering Plate Mount Post.....	8-14
8.14	Hold-Down Roller Mount.....	8-15
8.15	Front Hold-Down Roller.....	8-17
8.16	Front Hold-Down Roller.....	8-19
8.17	Hold-Down Roller.....	8-20

Table of Contents

Section-Page

SECTION 9	CHAIN CONVEYORS	9-1
9.1	CC1 Cross Side Chain Conveyor	9-1
9.2	CC1 Conveyor Table (508470)	9-3
9.3	CC2 Chain Conveyor (Green Chain)	9-6
9.4	CC2 Chain Conveyor -P (Green Chain)	9-7
9.5	CC2 Chain Conveyor -4-P (Green Chain)	9-8
9.6	Wide Long Chain Table (508379)	9-9
9.7	Wide Long Chain Table (514721)	9-11
9.8	Electric Box, CC2-P	9-13
9.9	Extension Module, CC2 Chain Conveyor	9-14
9.10	CC6 Incline Conveyor	9-16
9.13	Green Chain 716300	9-19
9.14	Green Chain 716433	9-20
9.15	Sprocket (No. 716408-1)	9-21
9.16	Drive Assembly (No. 716443)	9-22
SECTION 10	BELT CONVEYORS	10-1
10.1	CB5 Belt Conveyor	10-1
10.2	Belt Conveyor	10-2
10.3	Belt Conveyor Leg	10-3
10.4	Belt Conveyor Table	10-4
10.5	Slab Removal Table	10-6
SECTION 11	HOLD-DOWN ROLLERS ASSEMBLIES	11-1
11.1	Hold-Down Roller	11-1
11.2	Hold-Down Roller Assembly	11-4
11.3	Control Box, SLP2-SHS	11-5

Getting Service

Wood-Mizer is committed to providing you with the latest technology, best quality and strongest customer service available on the market today. We continually evaluate our customers' needs to ensure we're meeting current wood-processing demands. Your comments and suggestions are welcome.

General Contact Information

From Europe call your local distributor or our European Headquarters and Manufacturing Facility in Koło, Nagórna 114 St, Poland at **+48-63-2626000**. From the continental U.S., call our U.S. Headquarter 8180 West 10th St. Indianapolis, IN 46214, toll-free at **1-800-525-8100**. Ask to speak with a Customer Service Representative. Please have your machine identification number and your customer number ready when you call. The Service Representative can help you with questions about the operation and maintenance of your machine. He also can schedule you for a service call.

Office Hours:

Country	Monday - Friday	Saturday	Sunday
Poland	7 a.m.- 3 p.m.	Closed	Closed
US	8 a.m.- 5 p.m.	8 a.m.- 12 p.m	Closed

Please have your vehicle identification number and your customer number ready when you call.

Wood-Mizer will accept these methods of payment:

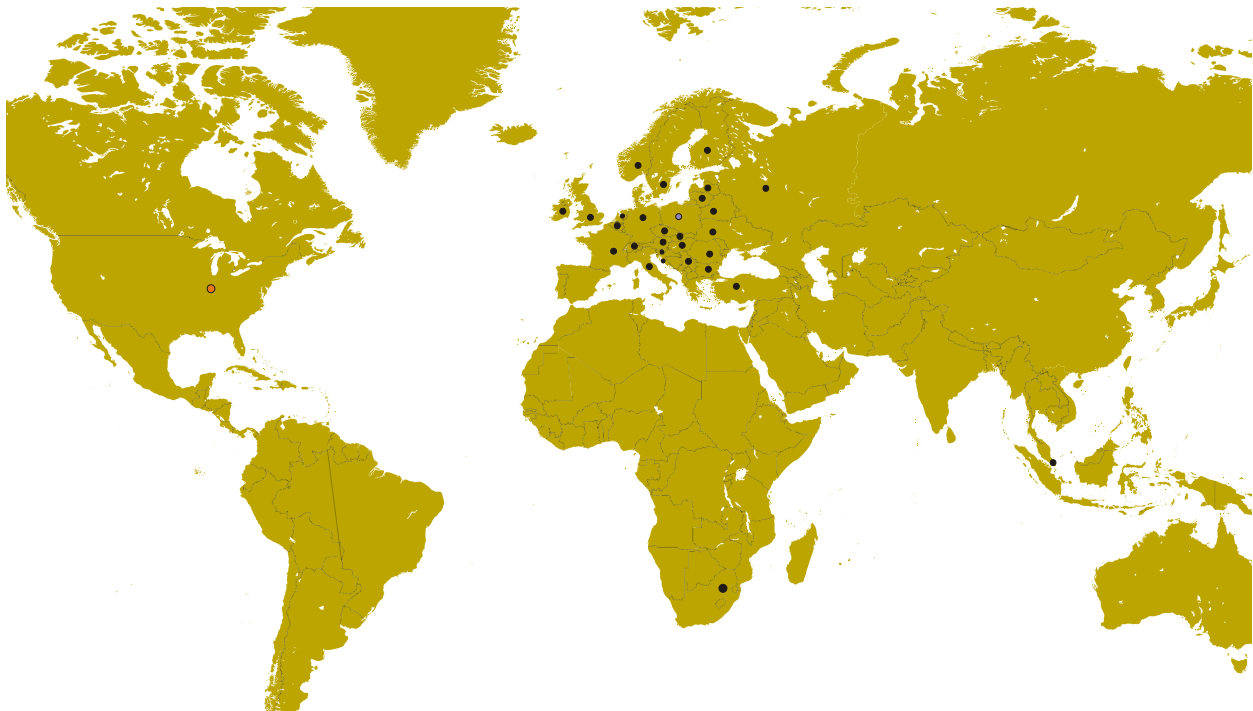
- Visa, Mastercard, or Discover
- COD
- Prepayment
- Net 15 (with approved credit)



Be aware that shipping and handling charges may apply. Handling charges are based on size and quantity of order.

Technical data are subject to change without prior notice.

Actual product may differ from product images. Some illustrations show machines with optional equipment.

Branches & Authorized Sales Centers Wood-Mizer Locations (North and South America)



EUROPE		UNITED STATES
<p> European Headquarters Wood-Mizer Industries Sp. z o.o. Nagórna 114, 62-600 Kolo, Poland Tel.: +48-63-26-26-000 Fax: +48-63-27-22-327 www.woodmizer.eu</p>		<p> World Headquarters Wood-Mizer LLC 8180 West 10th Street Indianapolis, Indiana 46214-2400, USA Tel.: +1-317-271-1542 Fax: +1-317-273-1011 www.woodmizer.com</p>
<p>BELARUS MOST-GRUPP Siemashko 15, k.3 Minsk 2200116 Tel.: +375-17-270-90-08 Fax: +375-17-270-90-08 GSM: +375-29-649-90-80 e-mail: most-by@mail.ru</p>	<p>SWITZERLAND Stefan Wespi Maschinen u. Geräte Spezialarbeiten GmbH Eichstraße 4 6353 Weggis Tel.: +41-413-900-312 GSM: +41-799-643-594 info@woodmizer.ch www.woodmizer.ch</p>	<p>RUSSIA Dariusz Mikołajewski OOO WOOD-MIZER INDUSTRIES 141031, Moscow Reg., Mytishenski raj., pos. Veshki, Zavodskaja str., 3B Tel.Fax: +7(495) 788-72-35 Tel.Fax: +7(495) 641-51-60 e-mail: dariuszm@woodmizer-moscow.ru</p>
<p>BULGARIA Kalin Simeonov Ecotechproduct 38 Star Lozenski pat str. Sofia 1186 Tel.: +359-2-462-7035 Tel.: +359-2-963-1656 Tel./Fax : +359-2-979-1710 Kalin Simeonov GSM: +3592-963-2559 e-mail: office@ecotechproduct.com</p>	<p>HUNGARY Wiktor Turoczy Wood-Mizer Hungary K.F.T. Szonyi Ut 67., 2921 Komárom Tel./Fax: +36-34-346-255 e-mail: woodmizer@woodmizer.hu</p>	<p>RUSSIA Far East Wladimir Glazaczew "WM Service" Krasnoretschenskaya Str.111 680006 Khabarovsk Tel./Fax: +7-914-541-1183 e-mail: wms-khv@mail.ru</p>

Branches & Authorized Sales Centers Wood-Mizer Locations (North and South America)

<p>CROATIA Krešimir Pregernik Pregimex d.o.o. S. Batušića 31, 10090 Zagreb Tel./Fax: +3851-38-94-668 Krešimir Pregernik GSM: +3851-98-207-106 e-mail: Kresimir.Pregernik@gmail.com</p>	<p>ITALY Pasquale Felice Wood-Mizer Italia Srl Cda. Capoiaccio SN 86012 Cercemaggiore Campobasso Tel./Fax: +39-0874-798-357 GSM: +39-333-281-03-79 e-mail: wmitaliasrl@gmail.com</p>	<p>SERBIA Dragan Markov Wood-Mizer Balkan d.o.o. Svetosavska GA 3/3; P. Fah 25 23 300 Kikinda Tel./Fax: +381-230-25-754 Tel./Fax: +381-230-23-567 GSM: +381-63-568-658 e-mail: office@woodmizer.co.yu</p>
<p>CZECH REPUBLIC Miroslav Greill Wood-Mizer CZ s.r.o. Za Kasárny 946 339 01 Klatovy Tel: +420-376-312-220 GMS: +420-608-111-104 Miroslav Greill GMS: + 420-602-439-799 E-mail: woodmizer@woodmizer.cz</p>		<p>SLOVAKIA Wiktor Turoczy Wood-Mizer Danubia s.r.o. Hadovce 5, 94501 Komárno Tel.: +421-35-77-40-316 Fax: +421-35-7740-326 GSM: +421-905-930-972 e-mail: woodmizer@woodmizer.sk</p>
<p>CZECH REPUBLIC Lubomir Kudlik Wood-Mizer Moravia Sovadinova 6 69002 Breclav Tel./Fax: +420-519-322-443 Lubomir Kudlik GSM: +420-602-734-792 e-mail: info@wood-mizer.net</p>	<p>LATVIA Vilmars Jansons OBERTS Ltd Gaujas str. 32/2 LV-2167 Marupe, Rigas Raj. Tel.: +371-7-810-666 Fax: +371-7-810-655 Vilmars Jansons GSM: +371-92-06-966 Andris Orols GSM: +371-28-33-07-90 e-mail: andris@oberts.lv</p>	<p>TURKEY Er-Ka Ahsap Profil Kerestecilik San. ve Tic. Ltd. Sti. Adana Keresteciler Sitesi 191 sk No.41 ADANA Tel.: +90-322-346-15-86 Fax: +90-322-345-17-07 GSM: +90-533-363-18-44 e-mail: info@erkaahsap.com.tr</p>
<p>FINLAND Howard Blackbourn Oy Falkberg Jordbruk Ab Falkintie 220 25610 Ylonkyla Tel.: +358-2732-2253 Fax: +358-2732-2263 Howard Blackbourn GSM: +358-440-424-339 e-mail: falkberg@woodmizer.fi</p>	<p>LITHUANIA Andrius Zuzevicius UAB Singlis Savanoriu pr. 187, 2053 Vilnius Tel.: +370-5-2-32-22-44 Fax: +370-5-2-64-84-15 GSM: +370-620-28-645 e-mail: andrius.z@singlis.lt Dmitrij Gaiduk GSM: +370-69-84-51-91 e-mail: dmitrijus.g@singlis.lt</p>	<p>UKRAINE Ivan Vinnicki MOST UKRAINA bul. Myru 3, Bajkivtsi Ternoplskyj r-j Ternopolska oblast 47711 Ukraine Tel/Fax: +38 (0352) 52 37 74 GSM: +38 (067) 352 54 34 GSM: +38 (067) 674 50 68 E-mail: most-ukraine@ukr.net</p>
<p>FRANCE Tizoc Chavez Wood-Mizer France 556 chemin des Embouffus, ZAC des Basses Echarrieres 38440 SAINT JEAN DE BOURNAY Tel: +33-4 74 84 84 44 GSM: +33-607 52 02 82 Mail: tchavez@woodmizer.fr</p>	<p>NORWAY Tor Bakken Flaathe Bakken Flaathe A/S Løkenvegen 5, 2034 Holter Tel: + 47-638 74 989 Sales: + 47- 412 80 076 Service: +47- 975 87 588 post@woodmizer.no www.woodmizer.no</p>	<p>UNITED KINGDOM & IRELAND Wood-Mizer UK Hopfield Barn Kenward Road, Yalding Kent ME18 6JP, UK Tel.: +44-1622-813-201 Fax: +44-1622-815-534 e-mail: info@woodmizer.co.uk</p>
<p>SLOVENIA Jan Fale FAMTEH d.o.o. Gacnikova pot 2, 2390 Ravne na Koroskem Tel.: +386-2-62-04-232 Fax: +386-2-62-04-231 Jan Fale GSM: +386-2-62-04-230 e-mail: jan.fale@famteh.si Matjaz Kolar Tel.: +386-2-62-04-232 GSM: +386-31-775-999 e-mail: matjaz.kolar@famteh.si</p>		

Branches & Authorized Sales Centers Wood-Mizer Locations (North and South America)

<p>GERMANY/AUSTRIA Klaus Longmuss Wood-Mizer GmbH Dorfstraße 5, 29485 Schletau Büro Tel: +49-5883 988 010 Werkstatt Tel: +49-5883 988 220 Ersatzteilservice Tel: +49 58 83 - 98 80 250 Schärfservice Tel: +49-58 83 - 98 80 270 E-mail: info@woodmizer.de www.woodmizer.de Klaus Longmuss Tel.: +49-5883-9880-12 GSM: +49-17-298-55-892 e-mail: KLongmuss@woodmizer.de</p>	<p>Subagent: SWEDEN Kjell Larsson Mekwood AB Slingan 14, 812 41 Gästrike-Hammarby Tel.: +46-290-515-65 Kjell Larsson GSM: +46-706-797-965 e-mail: kjell.larsson@mekwood.se</p>	<p>IRELAND Wood-Mizer Ireland Stephen Brennan Cum Lahardane Ballina County Mayo Tel:+353 96 51345 E-mail: brennanmill@ericom.net</p>
<p>Subagents: DENMARK Kevin Christiansen Kevin Christiansen's savværker PMV Arnborgvej 40, 7330 Brande- Fasterholt Mobile: +45 61468763 Mobile: +45-23495828 Info@woodmizer.dk www.woodmizer.dk</p>	<p>ROMANIA Adrian Echert SC WOOD-MIZER RO SRL TRANSILVANIEI Nr. 5 Sibiu, Cisanadie 555300 Tel./Fax: : +40-369-405-433 GSM: +40-745-707-323 e-mail: aechert@woodmizer.ro</p>	<p>Regional Manager - Asia Robert Moxham Regional Direction - Asia Wood-Mizer Asia Manufacturing Co., Ltd. No.2, Gongyequ 40th Rd. Xitun District, Taichung City, 40768, Taiwan, R.O.C. TEL: +886-4-2359 3022 FAX: +886-4-2359 3205 CELL: +886-9-0568 7708 EMAIL: RMoxham@woodmizer.com www.woodmizerasia.com Skype: r.g.moxham</p>
<p>NETHERLANDS Gerlo Breukers Breukers Houtzagerij en Bosbouwmachines Hazenweg 5, 7481 PC Haaksbergen Tel: +31-535741326 Mobile: +31-620419412 info@woodmizer.nl www.woodmizer.nl</p>	<p>Subagent: ROMANIA M. Echert S.C. Echert Comprod s.r.l Str. Schitului Nr. 6, Apt.7 etajul-1 725 70 Vatra Dornei, Romania Tel./Fax: +40-230-374-235 Tel. : +40-740-35-35-74</p>	<p>Regional Manager - Africa Gavin Prowse Regional Sales Director - Africa Wood-Mizer Africa (Pty) Ltd. Unit 1, Leader Park 20 Chariot Street Stormill Ext.5 Maraisburg, Johannesburg South Africa TEL: +27 11 473 1313 FAX: +27 11 473 2005 CELL: +27 71 398 8010 EMAIL: growse@woodmizer.com www.woodmizerafrika.com Skype: gavin.prowse</p>

USA World Headquarters

Serving North & South America, Oceania, East Asia

Wood-Mizer LLC
8180 West 10th Street
Indianapolis, IN 46214

Phone: 317.271.1542 or 800.553.0182
Customer Service: 800.525.8100
Fax: 317.273.1011
Email: infocenter@woodmizer.com

Brazil Headquarters

Serving Brazil

Wood-Mizer do Brasil
Rua Dom Pedro 1, No: 205 Bairro: Sao Jose
Ivoti/RS CEP:93.900-000

Tel: +55 51 9894-6461/ +55 21 8030-3338/ +55 51 3563-4784
Email: info@woodmizer.com.br

Canadian Headquarters

Serving Canada

Wood-Mizer Canada
396 County Road 36, Unit B
Lindsay, ON K9V 4R3

Phone: 705.878.5255 or 877.357.3373
Fax: 705.878.5355
Email: ContactCanada@woodmizer.com

Europe Headquarters

Serving Europe, Africa, West Asia

Wood-Mizer Industries Sp z o.o.
Nagorna 114
62-600 Kolo, Poland

Phone: +48.63.26.26.000
Fax: +48.63.27.22.327

Branches & Authorized Sales Centers

For a complete list of dealers, visit www.woodmizer.com

SECTION 1 SAFETY INSTRUCTIONS

1.1 Safety Symbols

The following symbols and signal words call your attention to instructions concerning your personal safety. Be sure to observe and follow these instructions.



The word **DANGER** indicates an imminently hazardous situation which, if not avoided, will result in death or serious injury.



WARNING! suggests a potentially hazardous situation which, if not avoided, could result in death or serious injury.



CAUTION refers to potentially hazardous situations which, if not avoided, may result in minor or moderate injury to persons or equipment.



IMPORTANT! indicates vital information.

NOTE: gives helpful information.



Warning stripes are placed on areas where a single decal would be insufficient. To avoid serious injury, keep out of the path of any equipment marked with warning stripes.

1 Safety Instructions

Safety Instructions

1.2 Safety Instructions

NOTE: ONLY safety instructions regarding personal injury are listed in this section. Caution statements regarding only equipment damage appear where applicable throughout the manual.

Observe Safety Instructions



IMPORTANT! Read the entire Operator's Manual before operating the units. Take notice of all safety warnings throughout this manual and those posted on the equipment. Keep this manual with this equipment at all times, regardless of ownership.

Also read any additional manufacturer's manuals and observe any applicable safety instructions including dangers, warnings, and cautions.

Only persons who have read and understood the entire operator's manual should operate this equipment. The equipment is not intended for use by or around children.



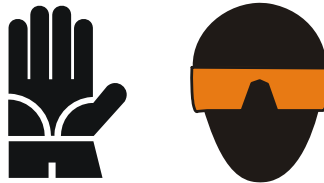
IMPORTANT! It is always the owner's responsibility to comply with all applicable federal, state and local laws, rules and regulations regarding the ownership, operation and towing of your Wood-Mizer equipment.



Wear Safety Clothing



WARNING! Secure all loose clothing and jewelry before operating this equipment. Failure to do so may result in serious injury or death.



WARNING! Always wear eye, ear, respiration and foot protection as well as safety clothing when operating or servicing the equipment.



Keep the Equipment and Area Around Clean



DANGER! Maintain a clean and clear path for all necessary movement around the equipment and lumber stacking areas. Failure to do so may result in serious injury.

Dispose Of Sawing By-Products Properly



IMPORTANT! Always properly dispose of all sawing by-products, including sawdust and other debris.

1

Safety Instructions

Check the Equipment Before Operation

Check the Equipment Before Operation



DANGER! Make sure all guards and covers are in place and secured before operating the equipment. Failure to do so may result in serious injury.



Keep Persons Away



DANGER! Keep all persons out of the path of moving equipment and lumber when operating the equipment. Failure to do so may result in serious injury.



DANGER! Be sure that all persons are away from the equipment before starting it. Failure to do so may result in serious injury.

Keep Hands Away




DANGER! Always keep hands away from moving chain. Failure to do so may result in serious injury.




DANGER! Always be aware of and take proper protective measures against rotating shafts, pulleys, fans, etc. Always stay a safe distance from rotating members and make sure that loose clothing or long hair does not engage rotating members resulting in possible injury.





Use Proper Maintenance Procedures


 **DANGER!** Make sure all electrical installation, service and/or maintenance work is performed by a qualified electrician and is in accordance with applicable electrical codes.


 **DANGER!** Hazardous voltage inside the electric box and at the motor can cause shock, burns, or death. Disconnect and lock out power supply before servicing! Keep all electrical component covers closed and securely fastened during equipment operation.




 **WARNING!** Consider all electrical circuits energized and dangerous.

 **WARNING!** Disconnect and lock out power supply before servicing! Failure to do so may result in serious injury.

 **WARNING!** Never assume or take the word of another person that the power is off; check it out and lock it out.

 **WARNING!** Do not wear rings, watches, or other jewelry while working around an open electrical circuit.


 **CAUTION!** The conveyor's work-stand should be equipped with a 4 kg or bigger dry powder extinguisher.


1 Safety Instructions

Keep Safety Labels In Good Condition

CAUTION! Before installation of the blade, inspect it for damage and cracks. Use only properly sharpened blades. Always handle the blade with extreme caution. Use suitable carrier equipment for transporting the blades.

Keep Safety Labels In Good Condition

 **IMPORTANT!** Always be sure that all safety decals are clean and readable. Replace all damaged safety decals to prevent personal injury or damage to the equipment. Contact your local distributor, or call your Customer Service Representative to order more decals.

 **IMPORTANT!** If replacing a component which has a safety decal affixed to it, make sure the new component also has the safety decal affixed.

Safety Labels Description

See Table 1-1. Pictographic safety labels are shown in the table below.

TABLE 1-1





Decal View	Decal No.	Description
	096317	Read thoroughly the operator's manual before operating the equipment. Observe instructions and safety rules when operating.

TABLE 1-1

	<p>099220</p>	<p>Close all guards and covers prior to starting the equipment.</p>
	<p>099221</p>	<p>Keep all persons a safe distance away from work area when operating the unit.</p>
	<p>096314</p>	<p>Keep all persons a safe distance away from work area when operating the unit.</p>

1 Safety Instructions

Safety Labels Description

TABLE 1-1

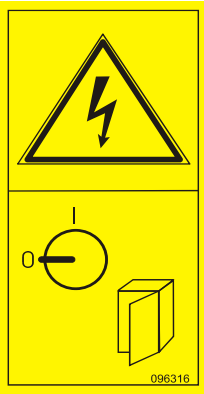
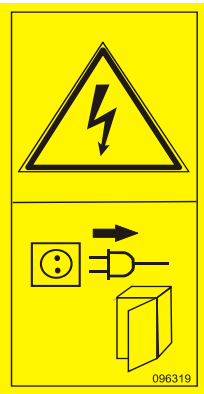
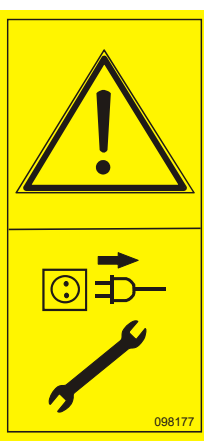

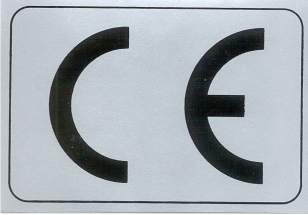

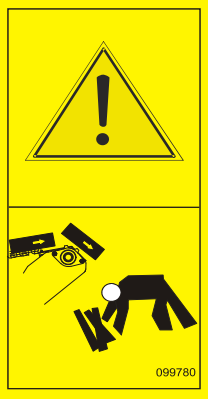
 <p>096316</p>	<p>096316</p>	<p>Do not open or close the electric box when the switch is not in the "0" position.</p>
 <p>096319</p>	<p>096319</p>	<p>Disconnect power supply before opening the box.</p>
 <p>098177</p>	<p>098177</p>	<p>Disconnect power supply before servicing.</p>

TABLE 1-1

 <p>099540</p>	<p>099540</p>	<p>CAUTION! Gear danger – keep a safe distance away!</p>
	<p>P85070</p>	<p>CE safety certification</p>
 <p>S20097</p>	<p>S20097</p>	<p>Motor rotation direction</p>
 <p>099780</p>	<p>099780</p>	<p>Caution! Slabs falling off the deck!</p>

SECTION 2 OPERATION

2.1 General Information

Thank you for choosing Wood-Mizer wood processing equipment!

Wood-Mizer is committed to providing you with the latest technology, best quality and strongest customer service available on the market today. We continually evaluate our customers' needs to ensure we're meeting current wood-processing demands. Your comments and suggestions are welcome.

This manual includes information on preparing, using, servicing and repairing the machine.

The SLP Driven Tables are designed to work with SLP saw's: SHS, HR500, TVS only. The machine must not be used with any other equipment, not authorised by Wood-Mizer.

SLP Line is designed for cutting wood only. It must not be used for other purposes, such as cutting ice, metal etc.

Using the machines correctly, you will obtain a perfectly smooth surface and a high degree of accuracy.

The SLP line can be mounted and operated as a complete SLP line only by adults who have read and understood the entire operator's manual.

The machines is built to be durable and easy to operate and maintain.

The SLP line components wear life is estimated for about 10 years assuming proper maintain and service procedures.

2.2 SLP Line Components

2.2.1 TVS, SVS, SHS, HR500

See TVS, SVS, SHS. HR500 Manuals

2.2.2 Transfer Tables



WARNING! Always stay a safe distance from moving equipment and boards while operating the transfer tables. Failure to do so may result in serious injury or death.

The major components of the tables are shown below.

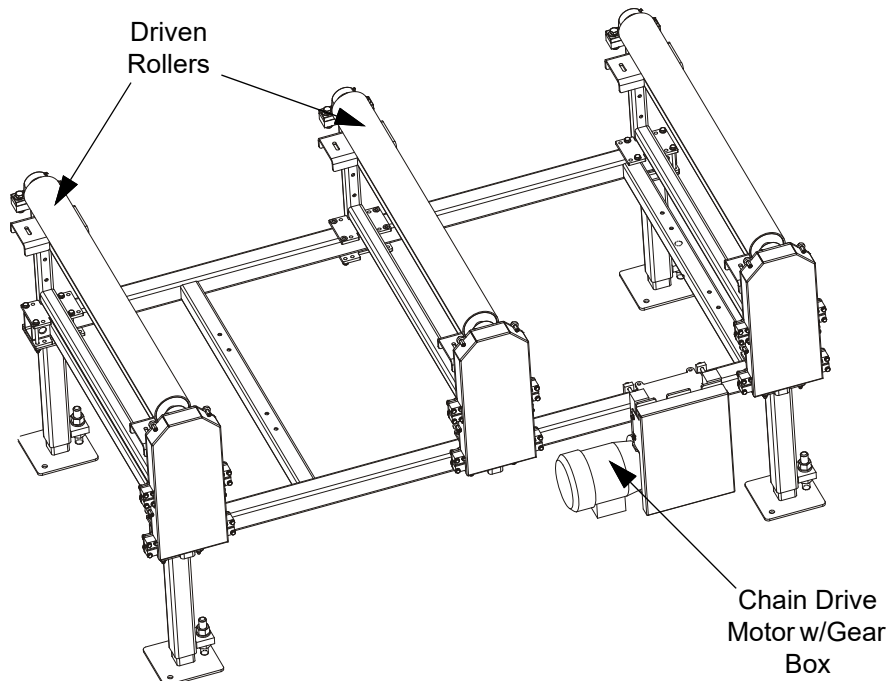


FIG. 2-3 CR3 CONVEYOR

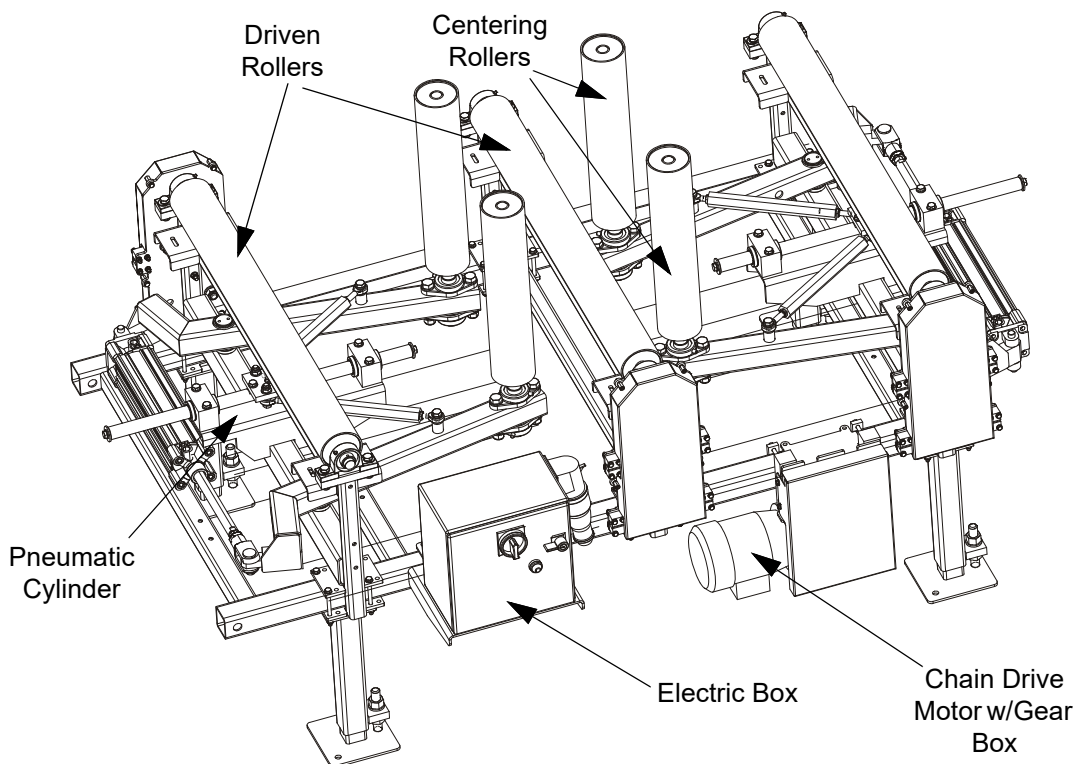


FIG. 2-1 CR4 CONVEYOR

2 OPERATION
Transfer Tables

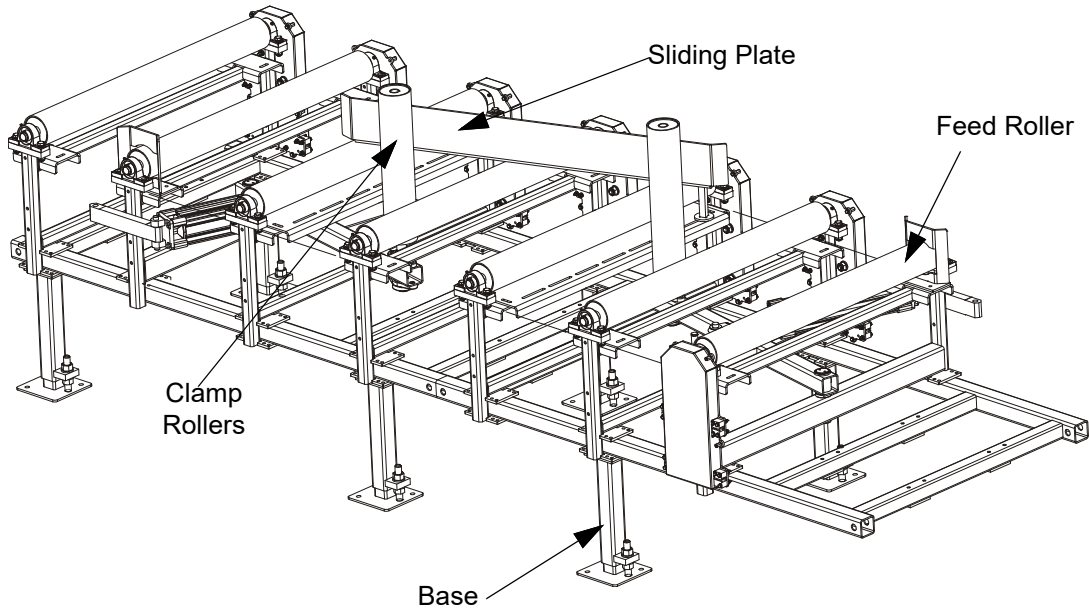


FIG. 2-2 CR5 CONVEYOR

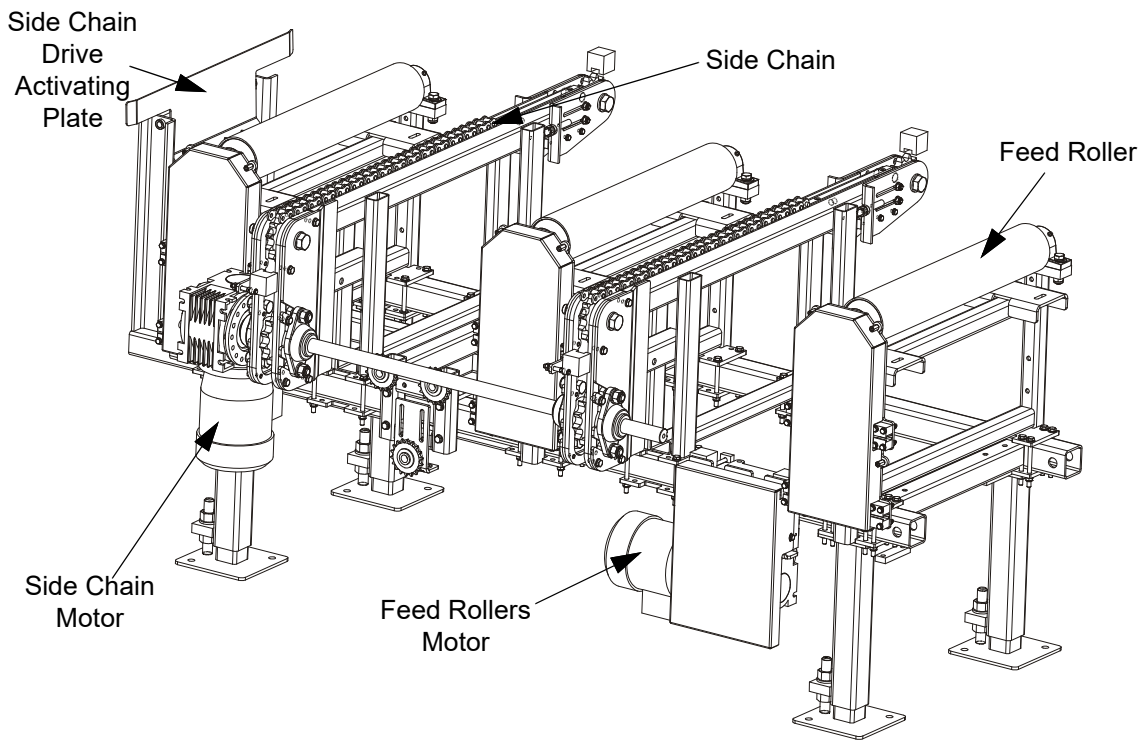


FIG. 2-3 CR6 CONVEYOR

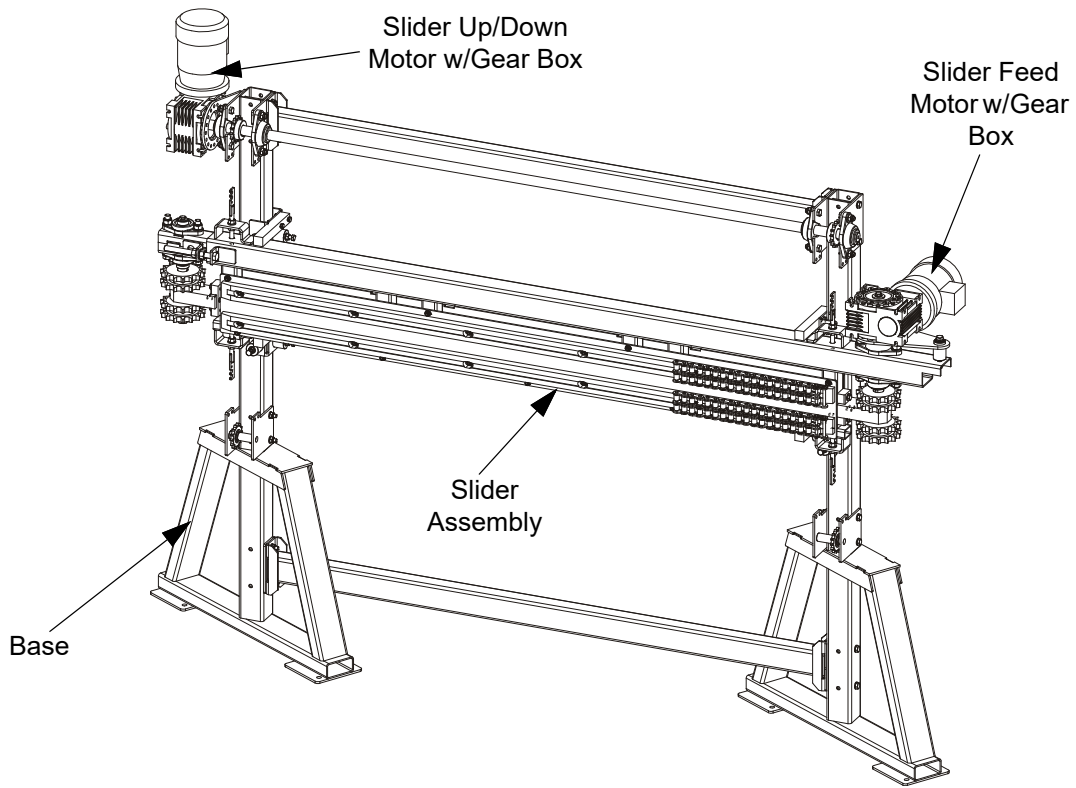


FIG. 2-4 CC1 CONVEYOR

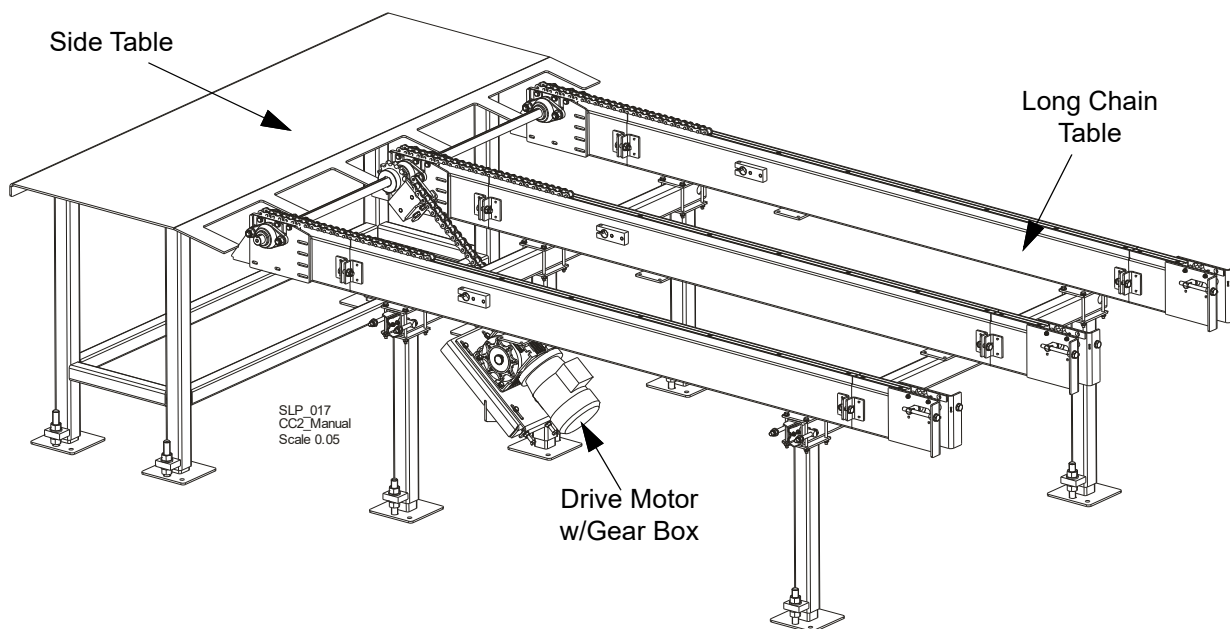


FIG. 2-5 CC2 CONVEYOR

2 OPERATION

Transfer Tables

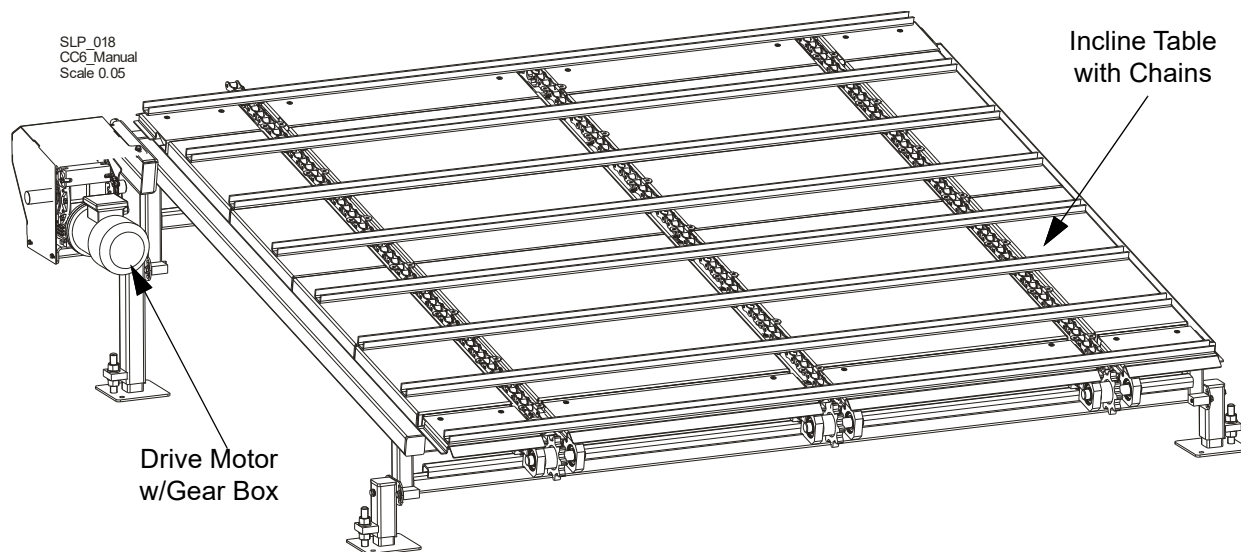


FIG. 2-6 CC6 CONVEYOR

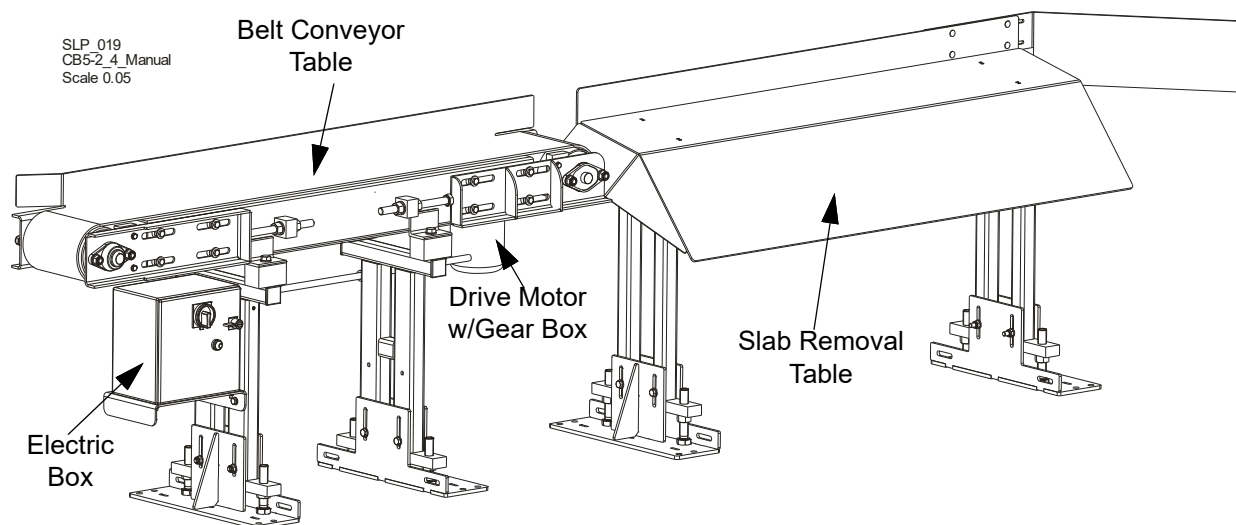


FIG. 2-7 CB5 CONVEYOR

2.3 SLP Line Layout

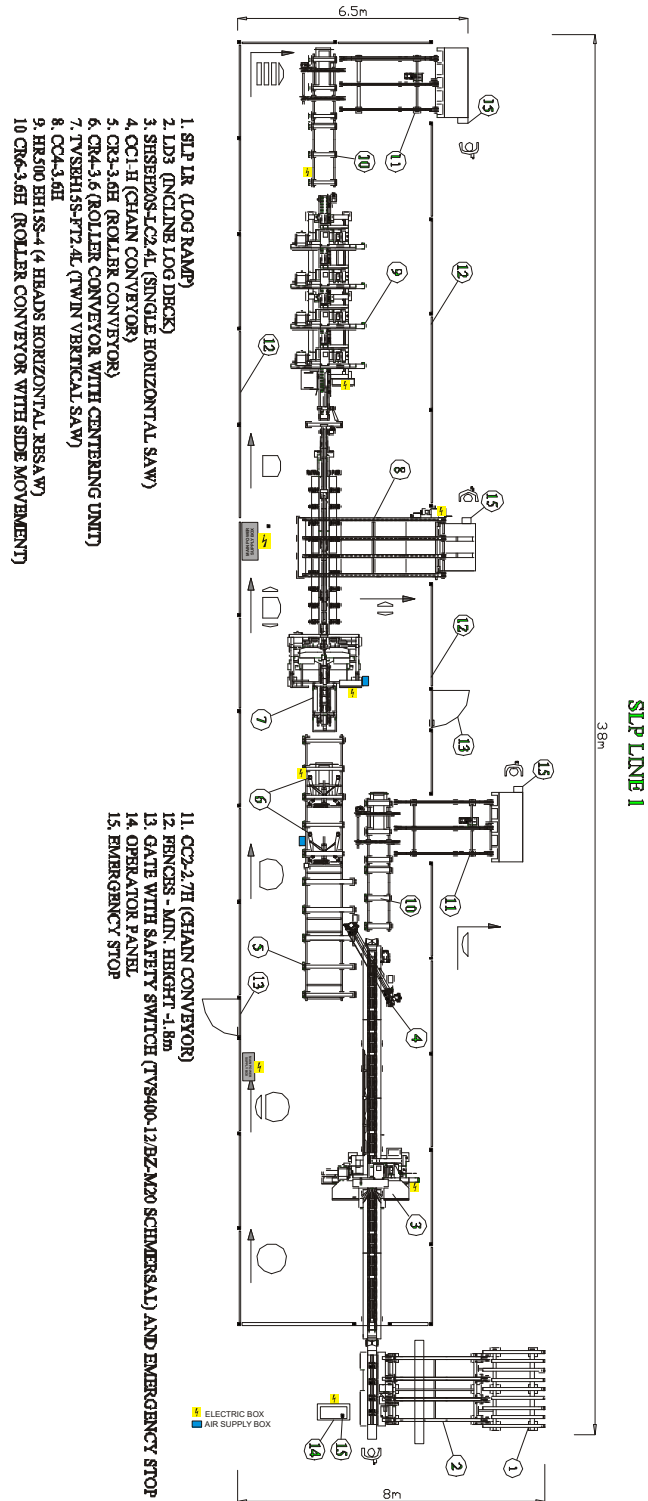


FIG. 2-8 LINE 1 LAYOUT

2

OPERATION SLP Line Layout

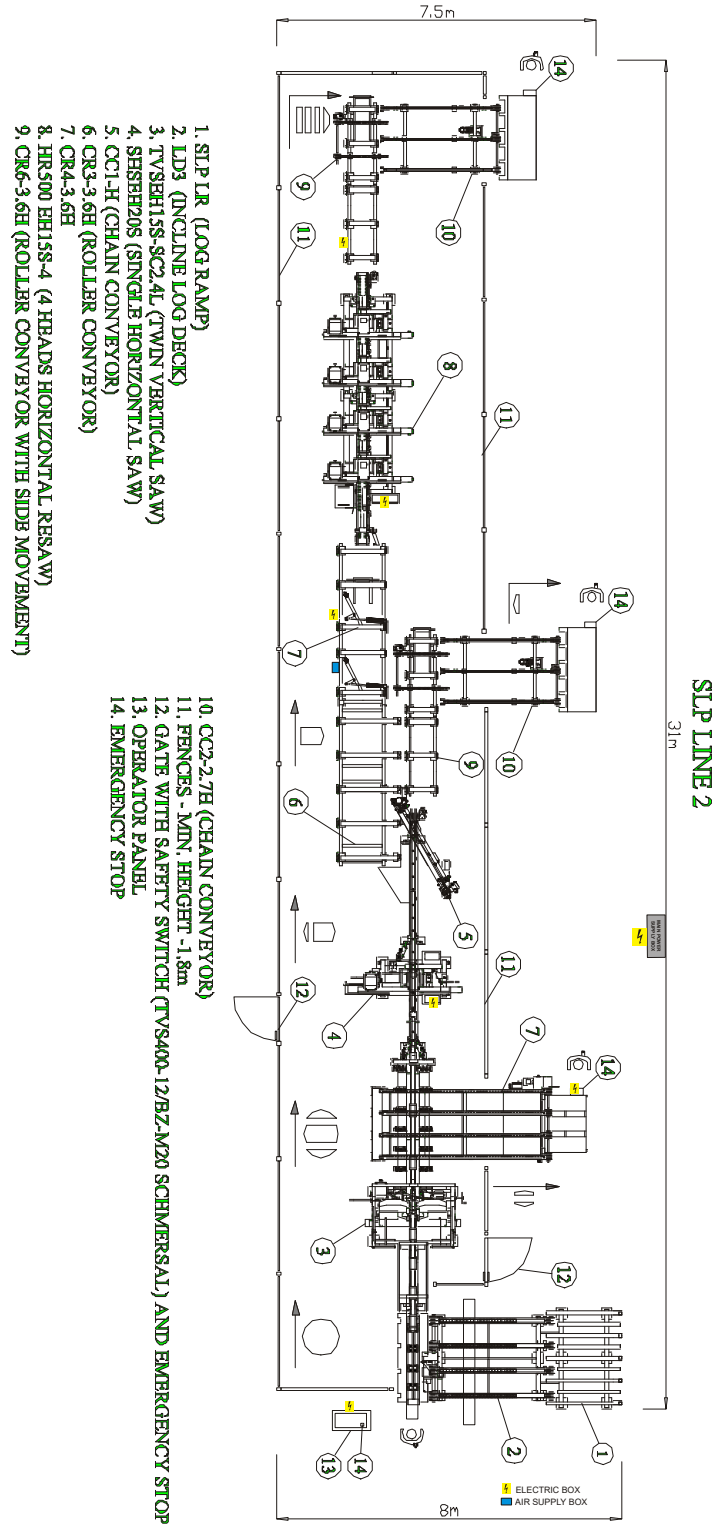


FIG. 2-9 LINE 2 LAYOUT

2.4 SLP Line Setup



IMPORTANT! Before starting to use the transfer tables you have to meet the following conditions:

- Set up the SLP Line components on firm and level ground. Fasten the units to the ground. A concrete foundation or pads and anchored bolts are recommended. Space required for the SLP Line 1: 40mX8m, SLP Line 2: 35mx8m.
- The SLP Line Components can be operated in temperature range from -20° C to 40° C only.
- The machines should always be operated with the sawdust collection system turned on. The sawdust collection system should meet conditions given in the specification. [See Section 4.3](#)
- The illumination at the operator's position should be at least 300lx¹.
- Have a qualified electrician install the power supply (according to EN 60204 Standard). The power supply must meet the specifications given in the table below.

	Power/Current @400VAV	Recommended Wire Size
CR4	0,75kW / 2Amp	1 mm ²
CR3	0,75kW / 2Amp	1 mm ²
CC1	1,1kW / 3Amp	1,5 mm ²
CC2	1,5 kW / 4Amp	2 mm ²
CR6	0,75kW / 2Amp	1 mm ²
TVS, SVS, SHS, HR500	See appropriate manual	

TABLE 2-1



IMPORTANT! When starting the unit for the first time, check that the chains/rollers rotation direction is correct. If it is incorrect, invert the phases in the phase inverter located in the power socket (in the electric box).

1. The light source can not cause stroboscopic effect.

2

OPERATION

SLP Line Setup

IMPORTANT! When starting the equipment for the first time, let it run without load for the first 1-2 hours.



DANGER! It is recommended that a 30mA Ground Fault Interrupter (GFI) be used.

- The SLP Line components can be lifted with a forklift only. The forklift should be rated for at least 1000-1500kg. Forklift transporting brackets are shown on the pictures below.



CAUTION! Transfer tables can be moved and transported disassembled.

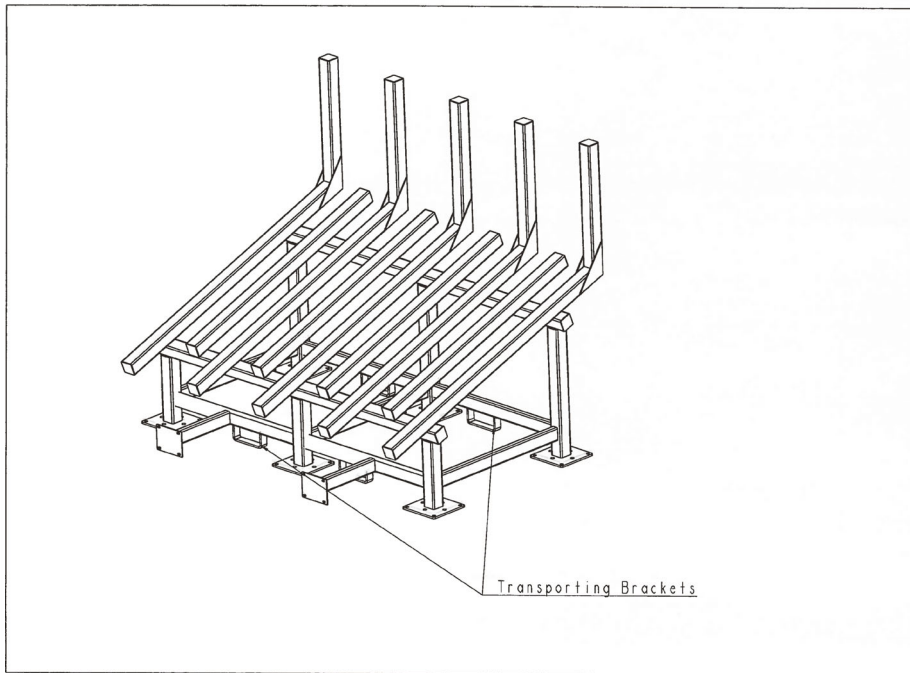


FIG. 2-10

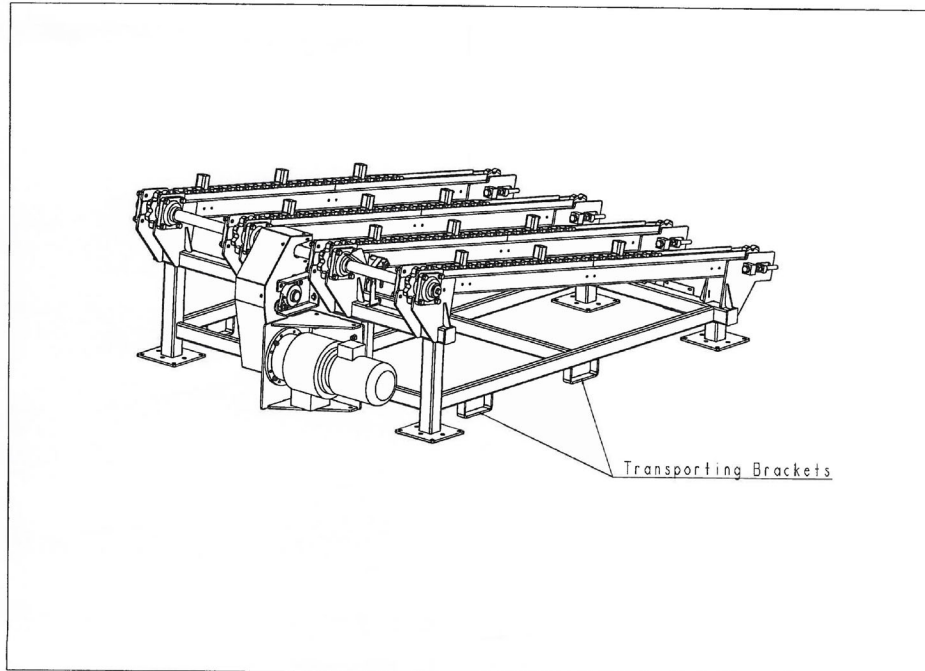


FIG. 2-11

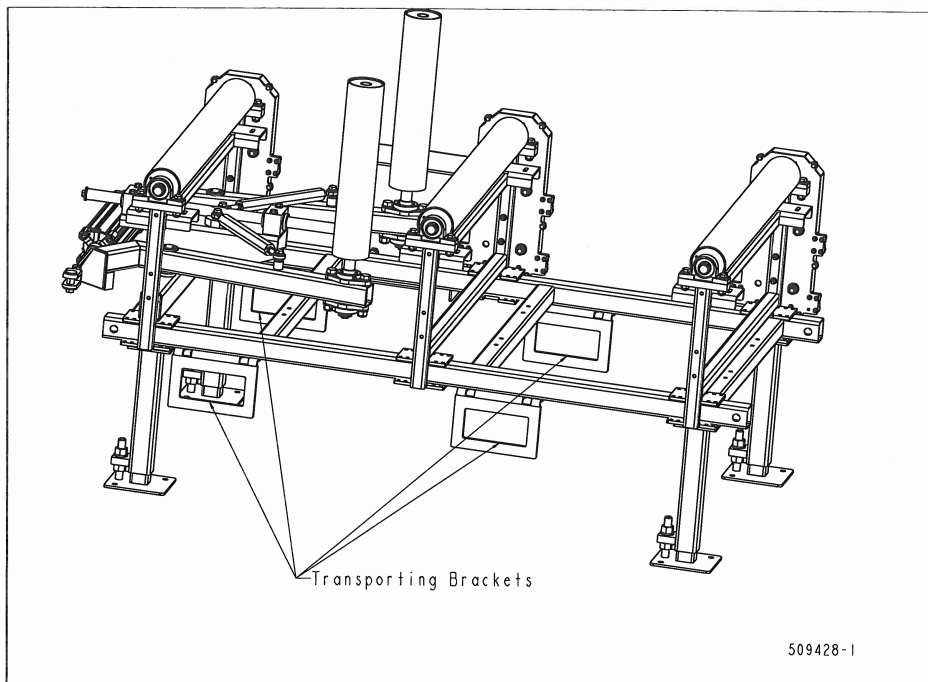


FIG. 2-12

2 OPERATION
SLP Line Setup

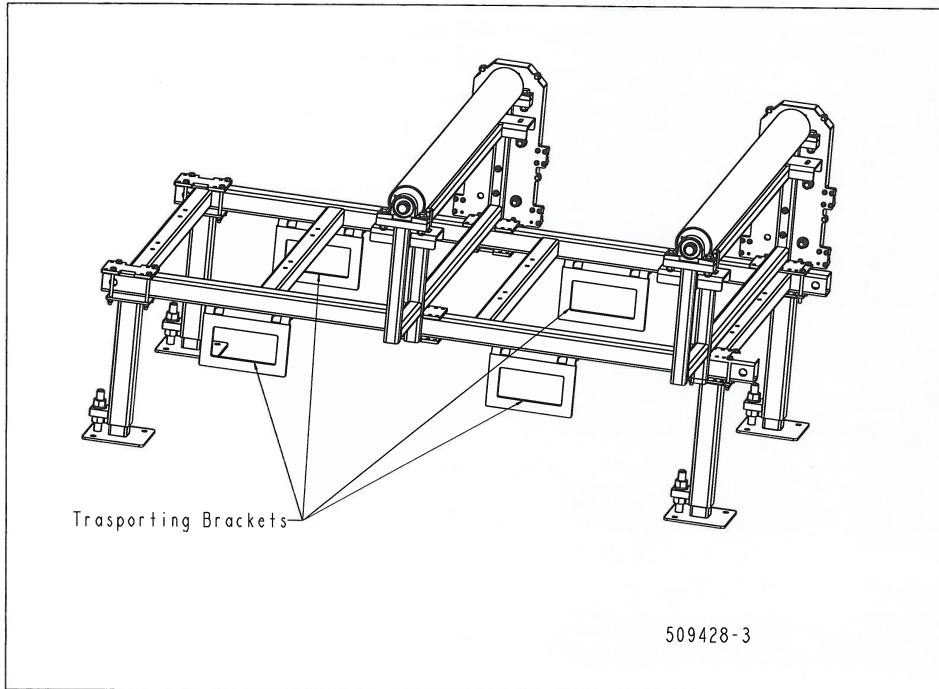


FIG. 2-13

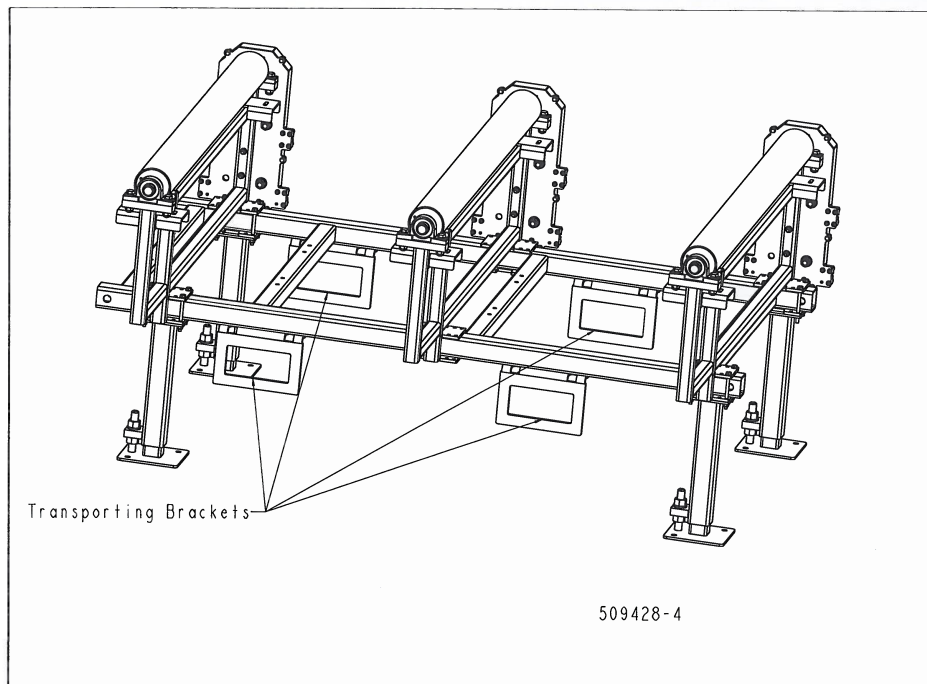


FIG. 2-14

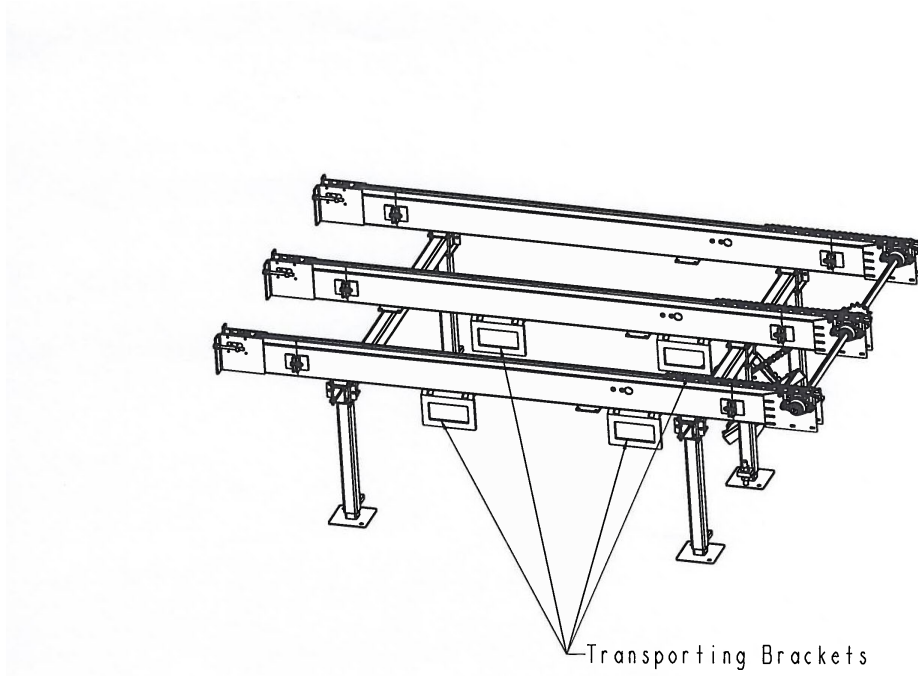


FIG. 2-15

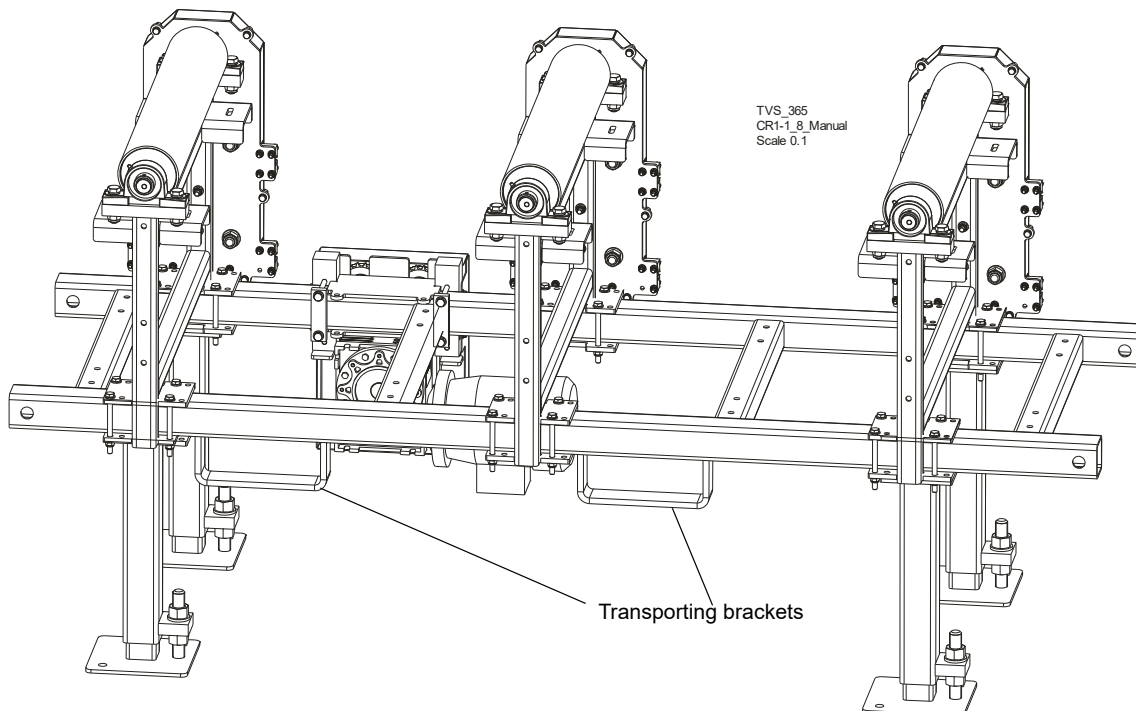


FIG. 2-16

2 OPERATION

SLP Line Setup

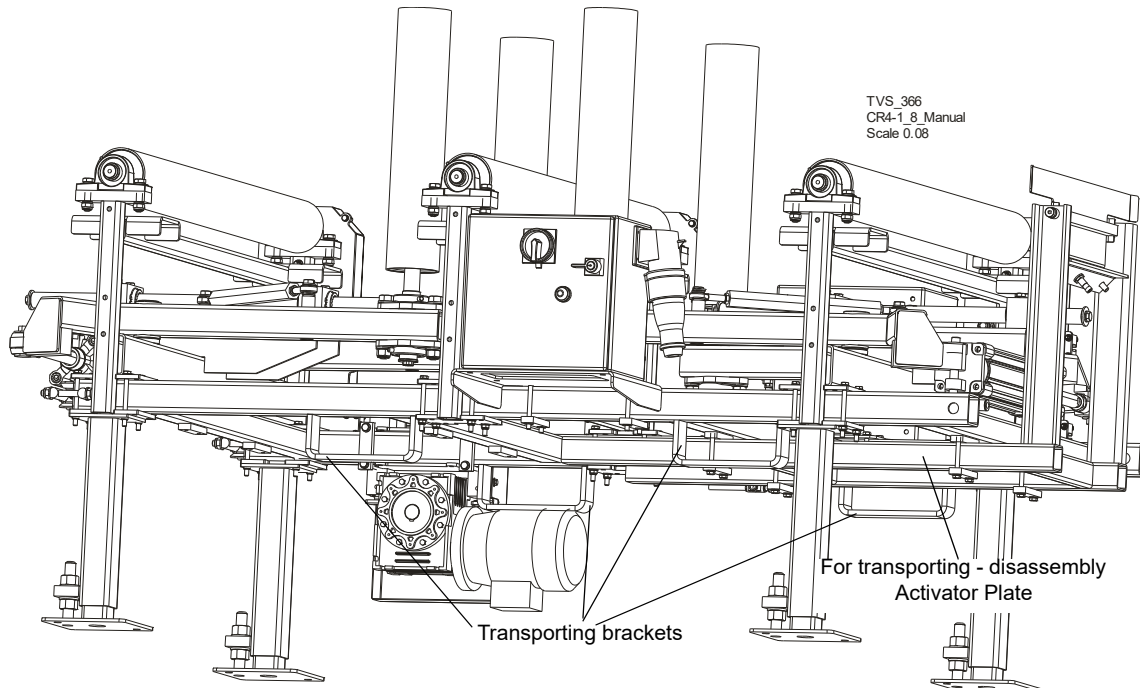


FIG. 2-17

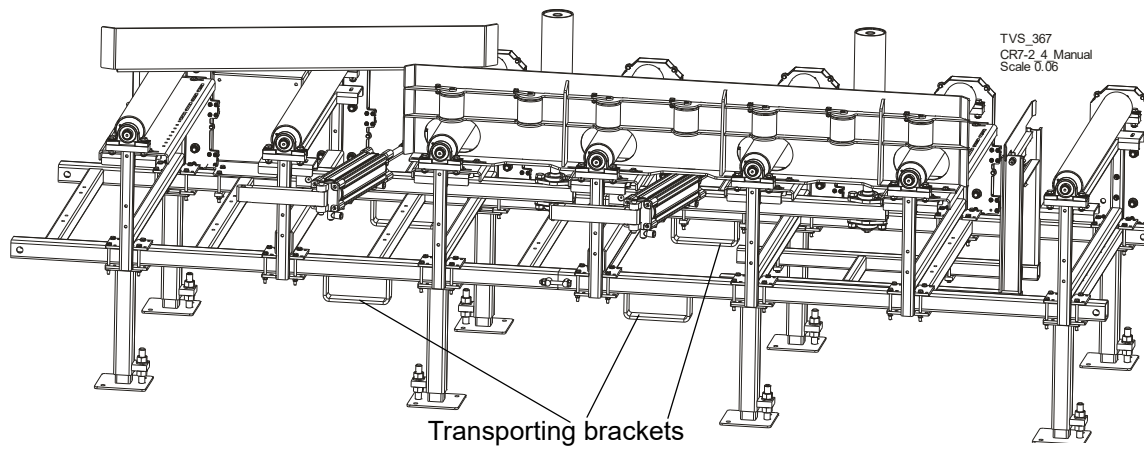


FIG. 2-18

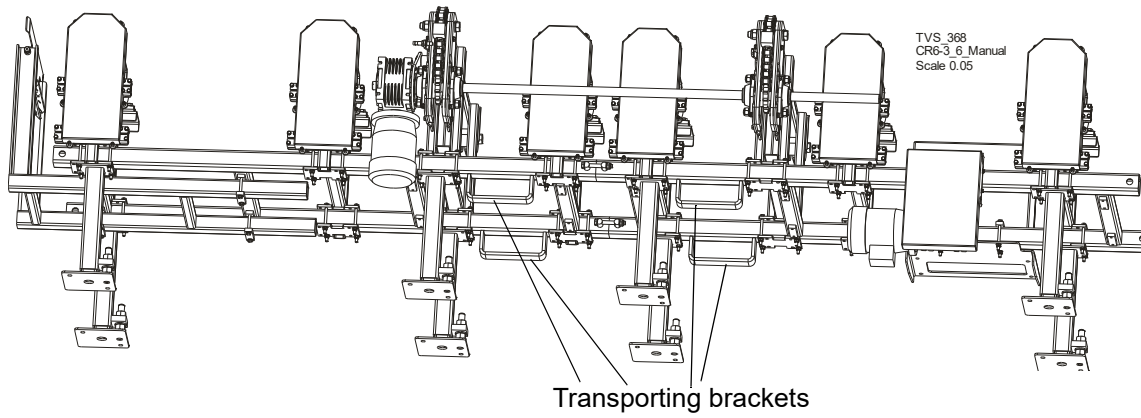


FIG. 2-19

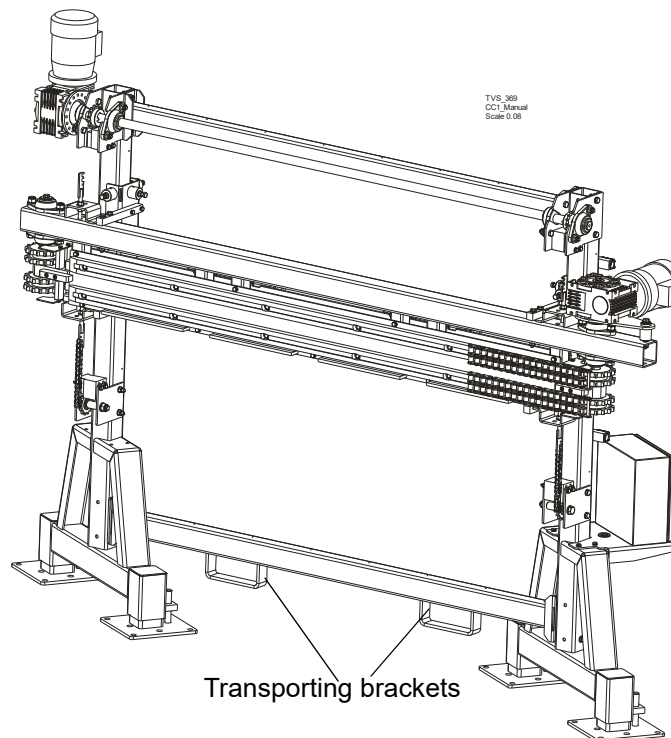


FIG. 2-20

2 OPERATION

Transfer Deck Operation

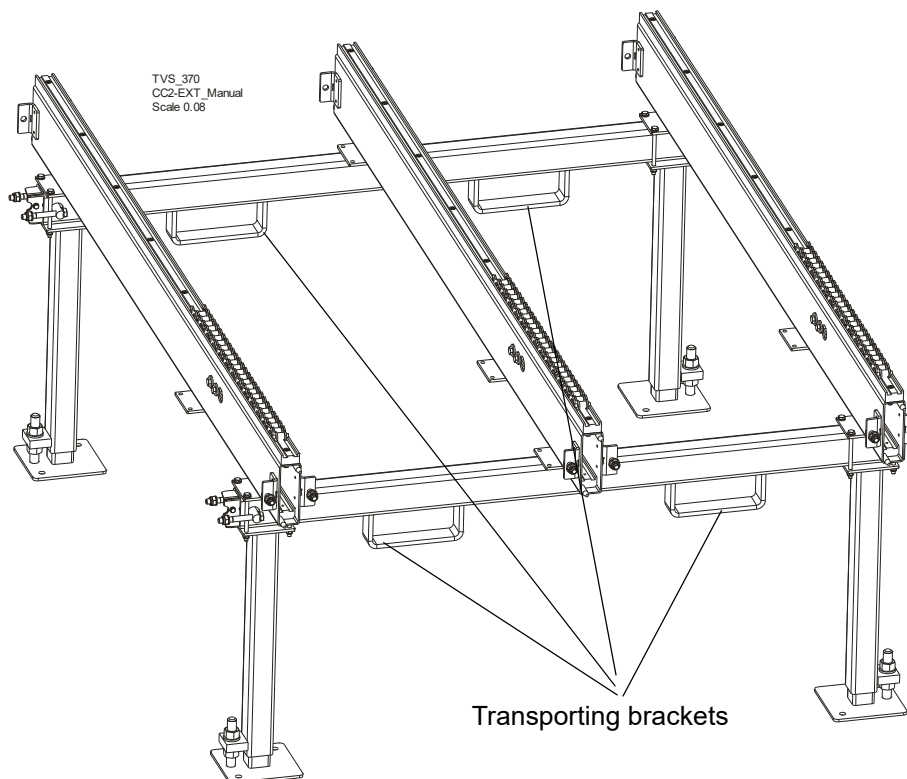


FIG. 2-21

Information concerning lifting the TVS, SVS, SHS and HR500, see machines manuals.

2.5 Transfer Deck Operation

Use the START/STOP button on the electric box to turn on/off the Cross Transfer Deck. In case of any danger to persons or equipment, push the emergency stop button. This stops the transfer deck and the TVS. To release the stop, turn the emergency stop button

clockwise. The machine will not restart until the emergency stop is released.

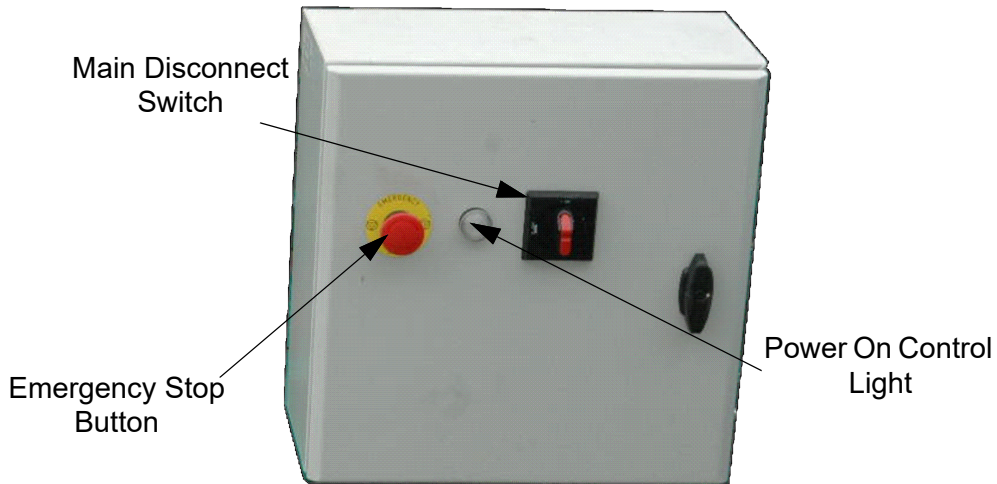


FIG. 2-22 CR6 CONTROL BOX

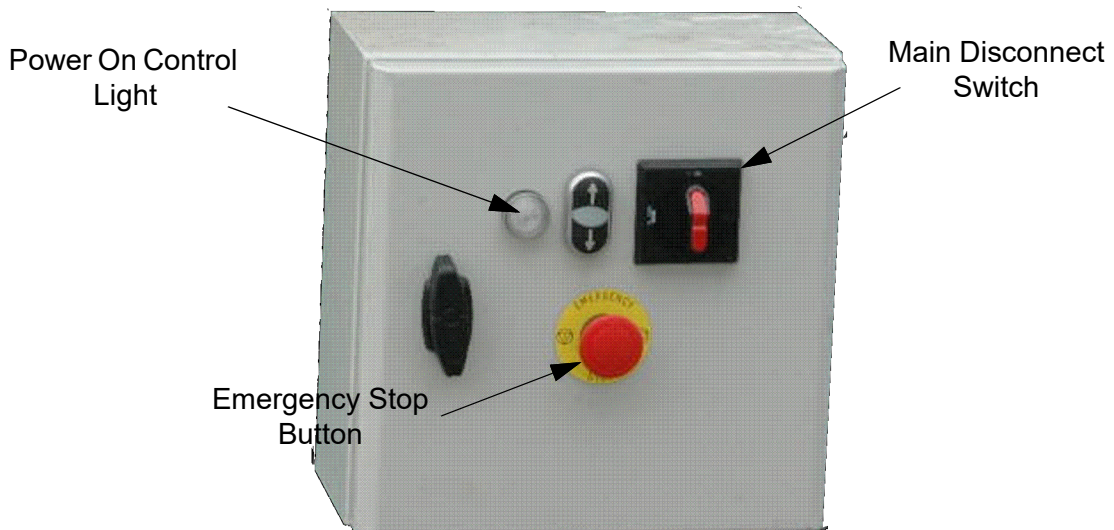


FIG. 2-23 CC1 CONVEYOR

2 OPERATION

Transfer Deck Operation

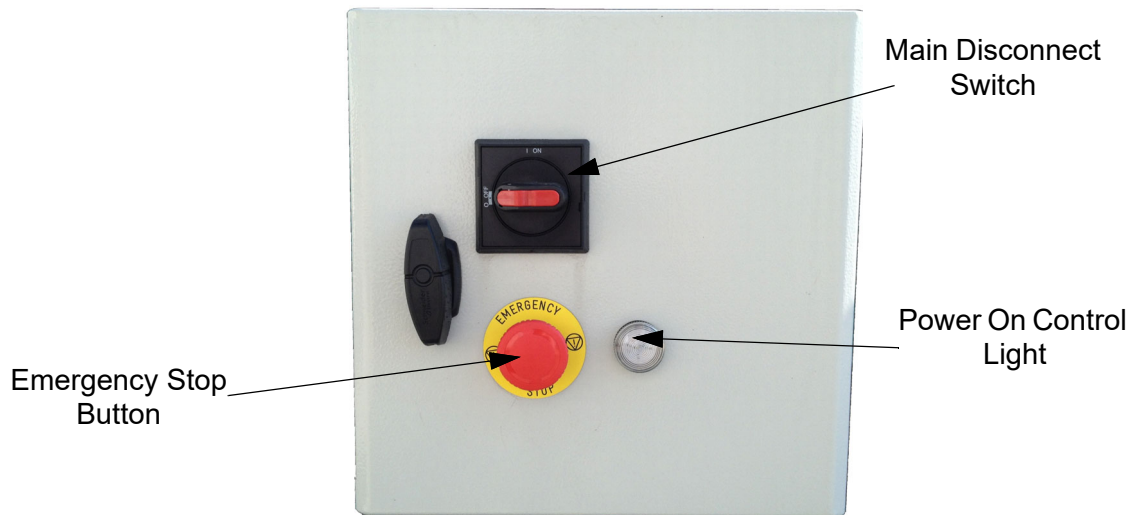



FIG. 2-24 CR3 TABLES

 **CAUTION!** If at any time you need to immediately stop the chain drive motor, press the emergency stop button located on the electric box.

SECTION 3 MAINTENANCE

This section lists the maintenance procedures that need to be performed.



This symbol identifies the interval (hours of operation) at which each maintenance procedure should be performed.

WARNING! Disconnect and lock out power supply before servicing the saw! Failure to do so may result in serious injury.

WARNING! Disconnect air supply and release compressed air from the air system before servicing the machines! Failure to do so may result in serious injury.

3.1 Lubrication



CAUTION! Never apply grease to the transfer chain. It causes sawdust buildup in chain links.



1. Using the grease fittings, lubricate the drive shaft bearings every 50 hours of operation.
2. Make sure all safety warning decals are readable. Remove sawdust and dirt. Replace any damaged or unreadable decals immediately. Order decals from your Wood-Mizer Customer Service Representative.

3.2 Transfer Chain Tension

See Figure 3-1. Use the adjustment bolts to adjust the transfer chain tension as necessary. The chain should lie freely on the guide bars.

CAUTION! Do not overtension chains. Overtensioning may lead to premature failure of the gears, bearings, rollers and chains.

3.3 Drive Chain Tension

Check tensions of the drive chains every 40 hours of operation and adjust as necessary. The chains should have approximately 1.5 cm of slack.

Loosen the mounting bolts and move the motor along with the mounting plate.

3.4 Safety Devices Inspection

Safety Devices Inspection

Safety devices on the SLP components which must be checked before every shift:

- E-STOP circuit inspection - control box
- E-STOP circuit inspection - table

1. E-STOP circuit inspection - control box

- Turn on the blade motor;
- Press the E-STOP button located on the control box. Blade motors should be stopped. Blade motor shouldn't start until the E-STOP button is released.

2. E-STOP circuit inspection - outfeed table

- Turn on the blade motor;
- Push the E-STOP button located on the each table. Blade motor should be stopped. Blade motor shouldn't start until the E-STOP button is released.

3.5 Electric Maintenance Procedures

Daily Maintenance Procedures:

- Visual inspection of electrical components (insulation of wires, motor guards, electrical boxes and controls)
- Inspection of the control system operation (turning on/off, emergency stop, motor rotations direction, feed direction, control lights)

Monthly Maintenance Procedures:

- Thorough inspection of electrical connections (terminals, bolts, contacts)
- Yearly Maintenance Procedures
- Performing electrical measurements in accordance with PN-EN 60204-1 Standard

SECTION 4 SPECIFICATIONS

4.1 Transfer Deck Dimensions

4

SPECIFICATIONS

Transfer Deck Dimensions

See Figure 4-1. The overall dimensions of SLP tables and conveyors are shown below (all dimensions are in millimeters).

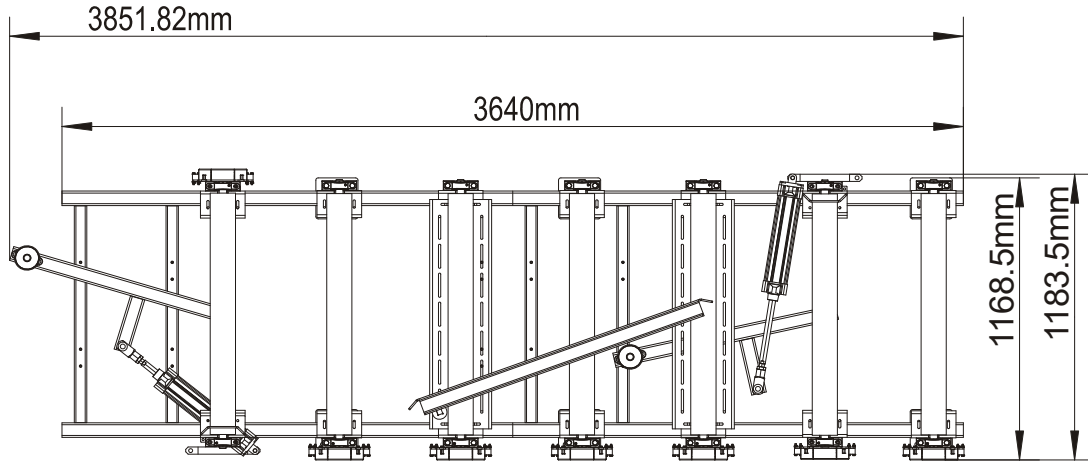


FIG. 4-1 CR5

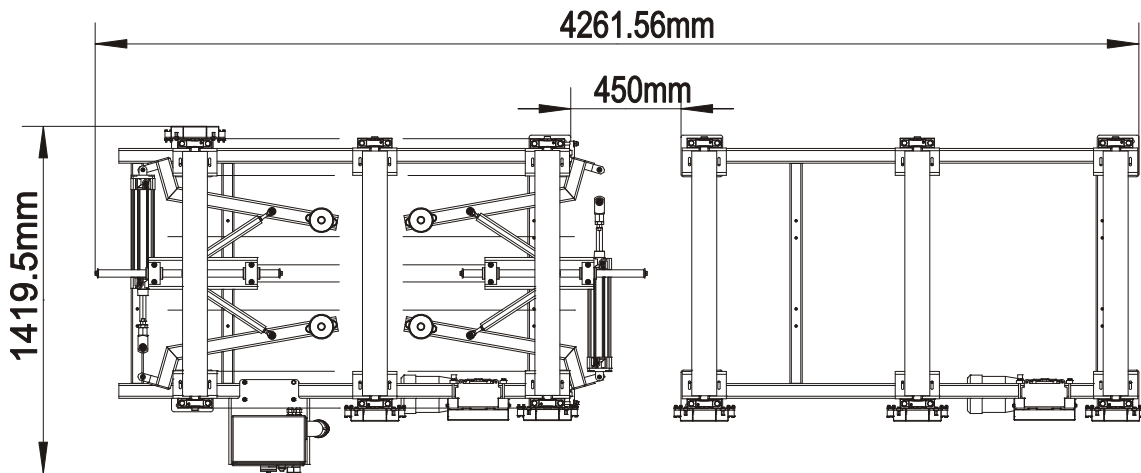


FIG. 4-1 CR3 WITH CR4

SPECIFICATIONS
Transfer Deck Dimensions

4

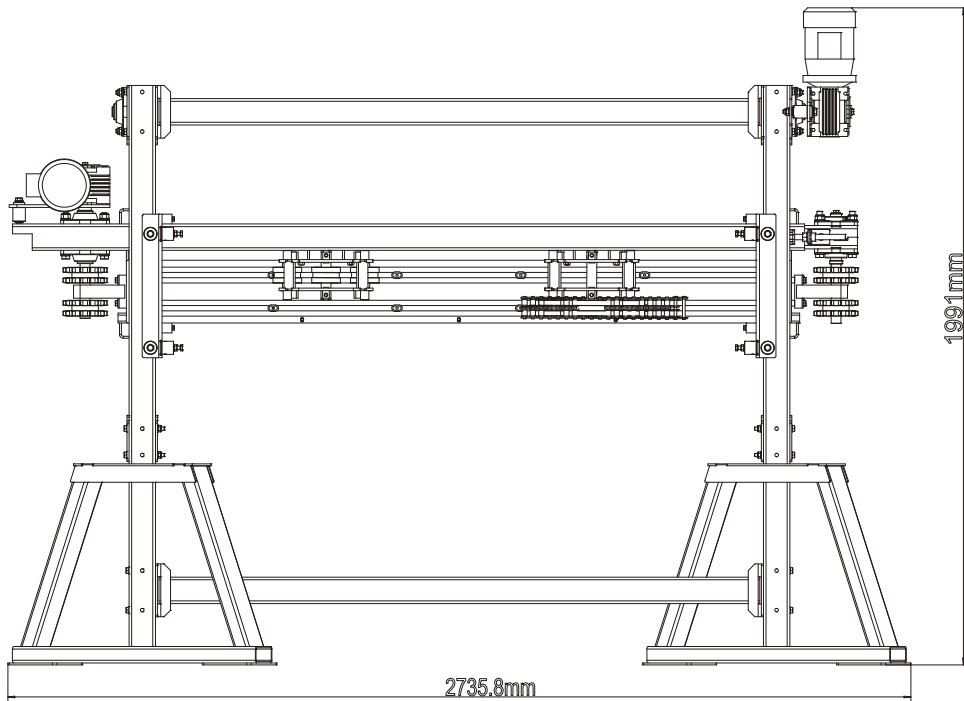


FIG. 4-1 CC1

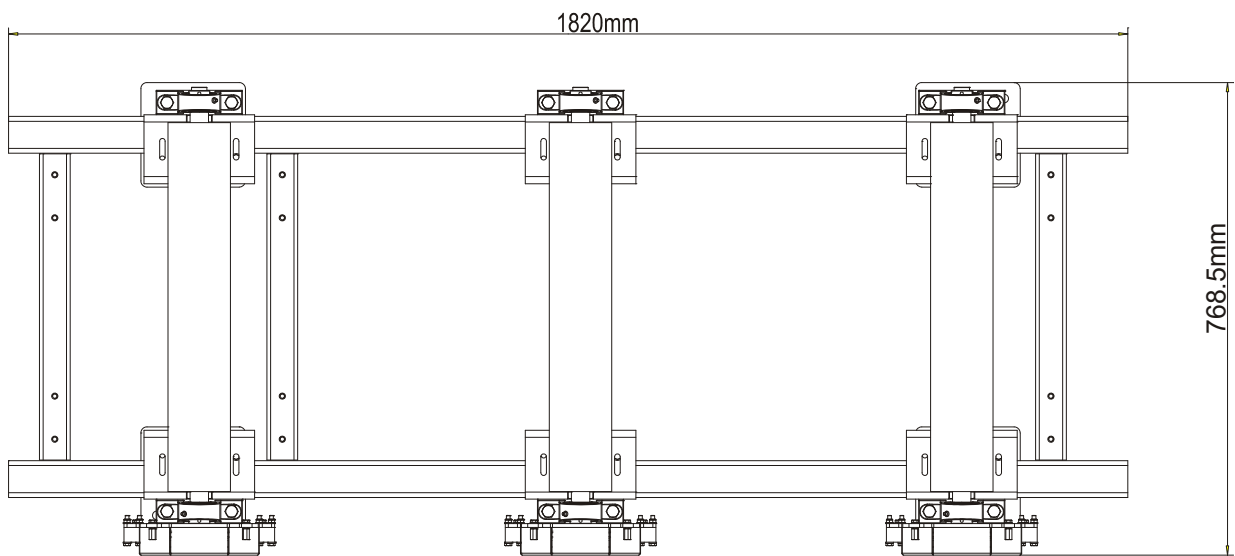


FIG. 4-1 CC1

4 SPECIFICATIONS
Transfer Deck Dimensions

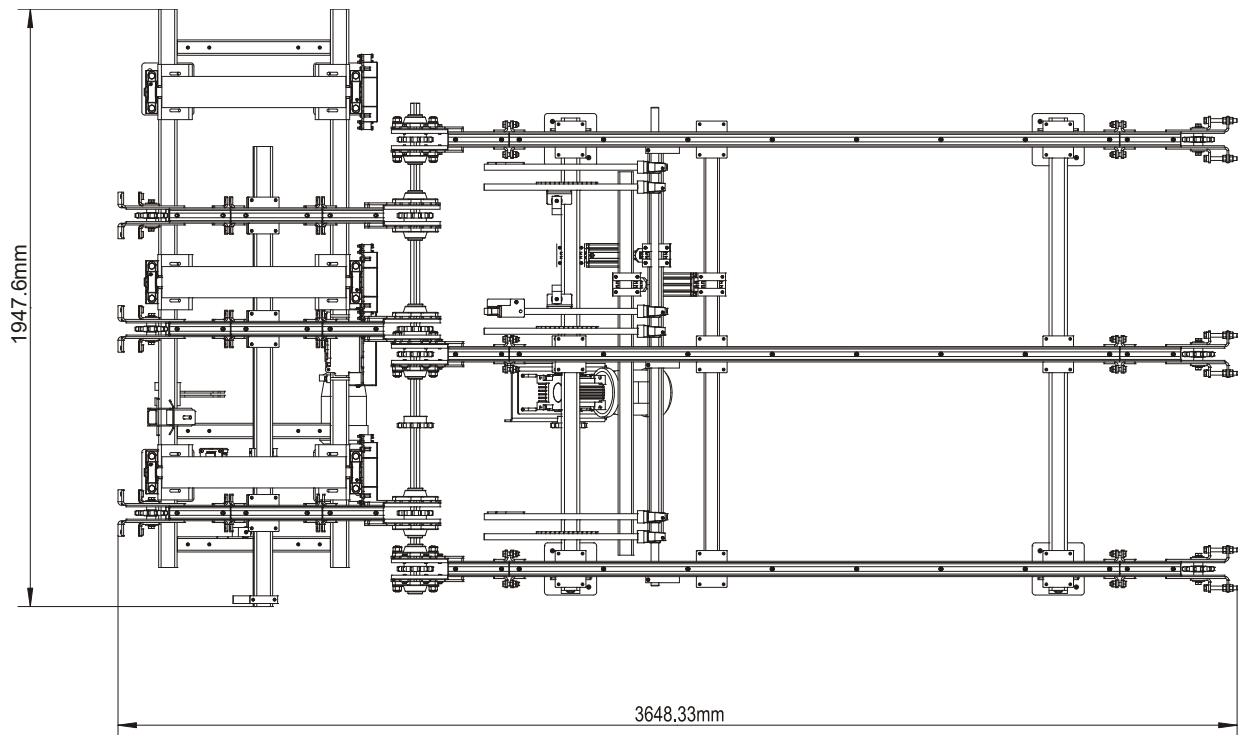


FIG. 4-1 CC2.

SPECIFICATIONS
Transfer Deck Dimensions

4

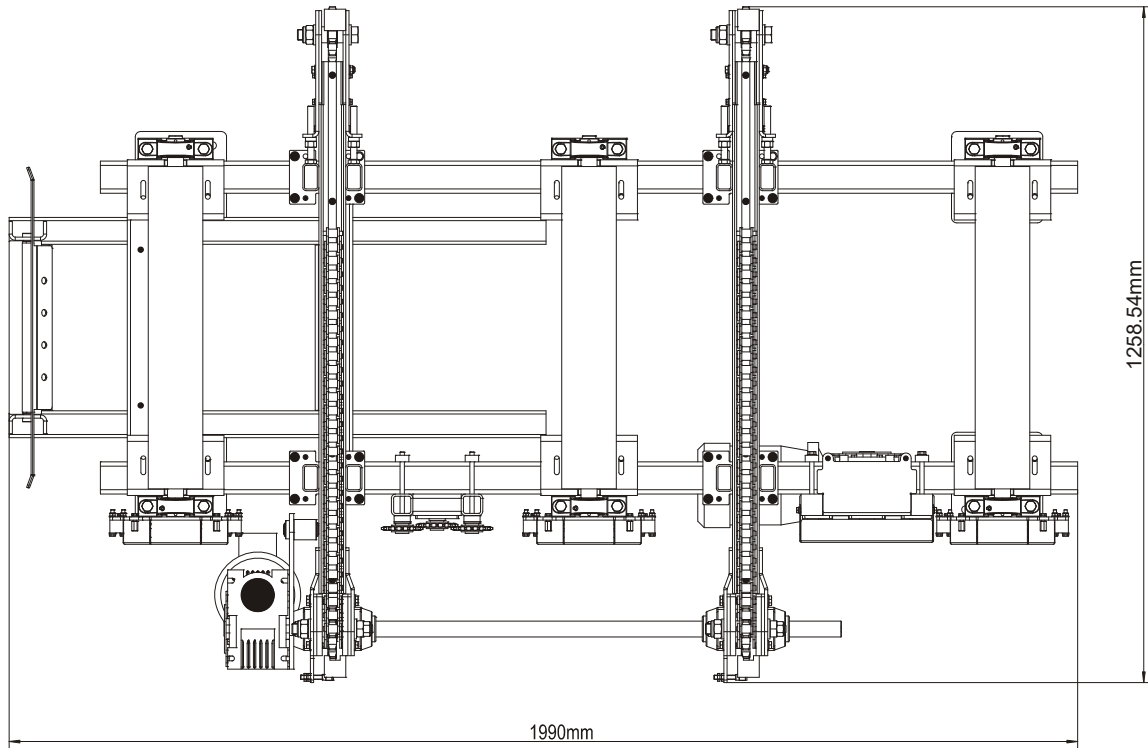


FIG. 4-1

4 SPECIFICATIONS

Transfer Deck Dimensions

See Figure 4-2. The overall dimensions of the CC4 Cross Transfer Deck are shown below (all dimensions are in millimeters).

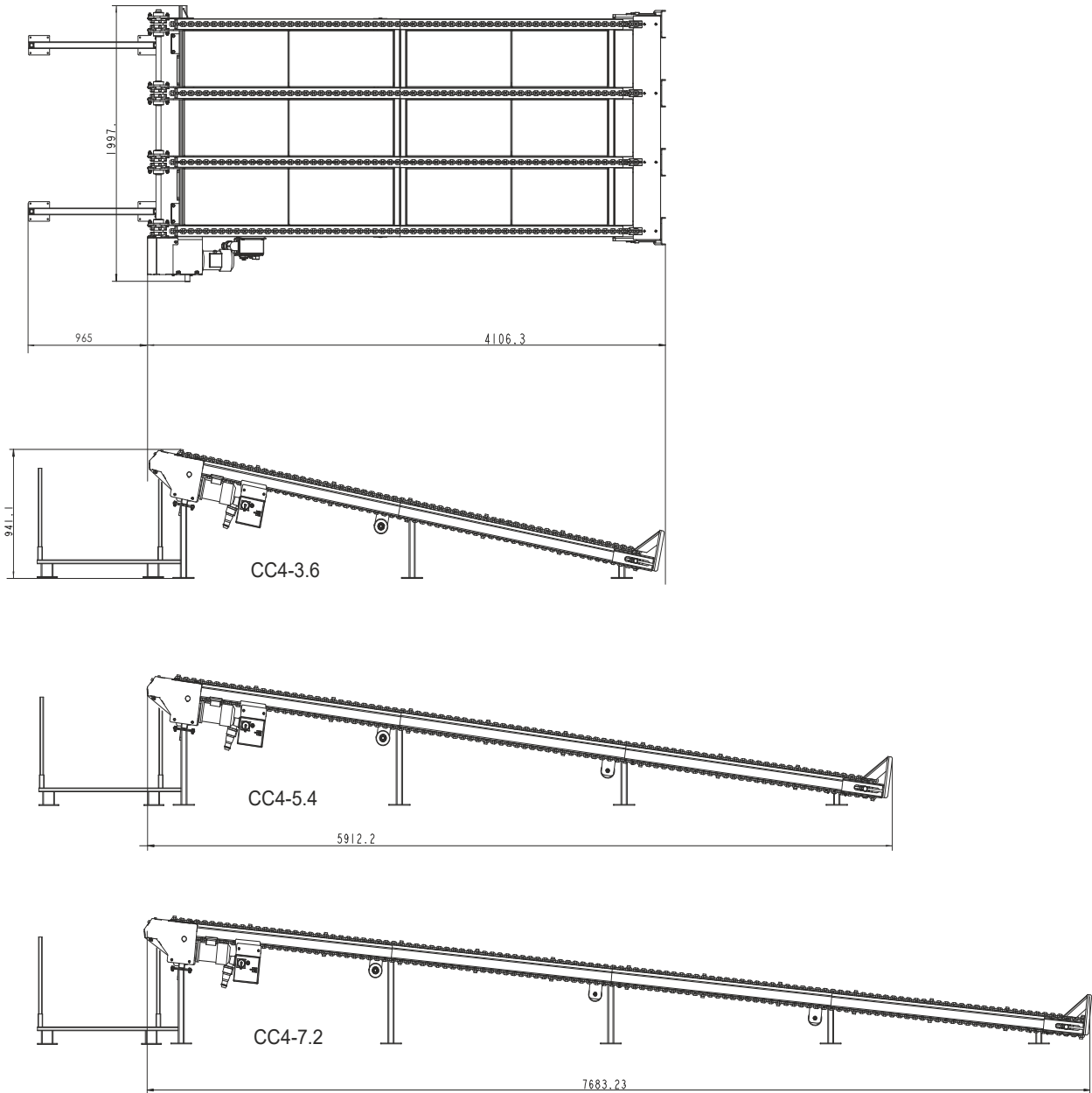


FIG. 4-2

See **Figure 4-3**. The overall dimensions of the SLPCTD3.6 Cross Transfer Deck are shown below (all dimensions are in millimeters).

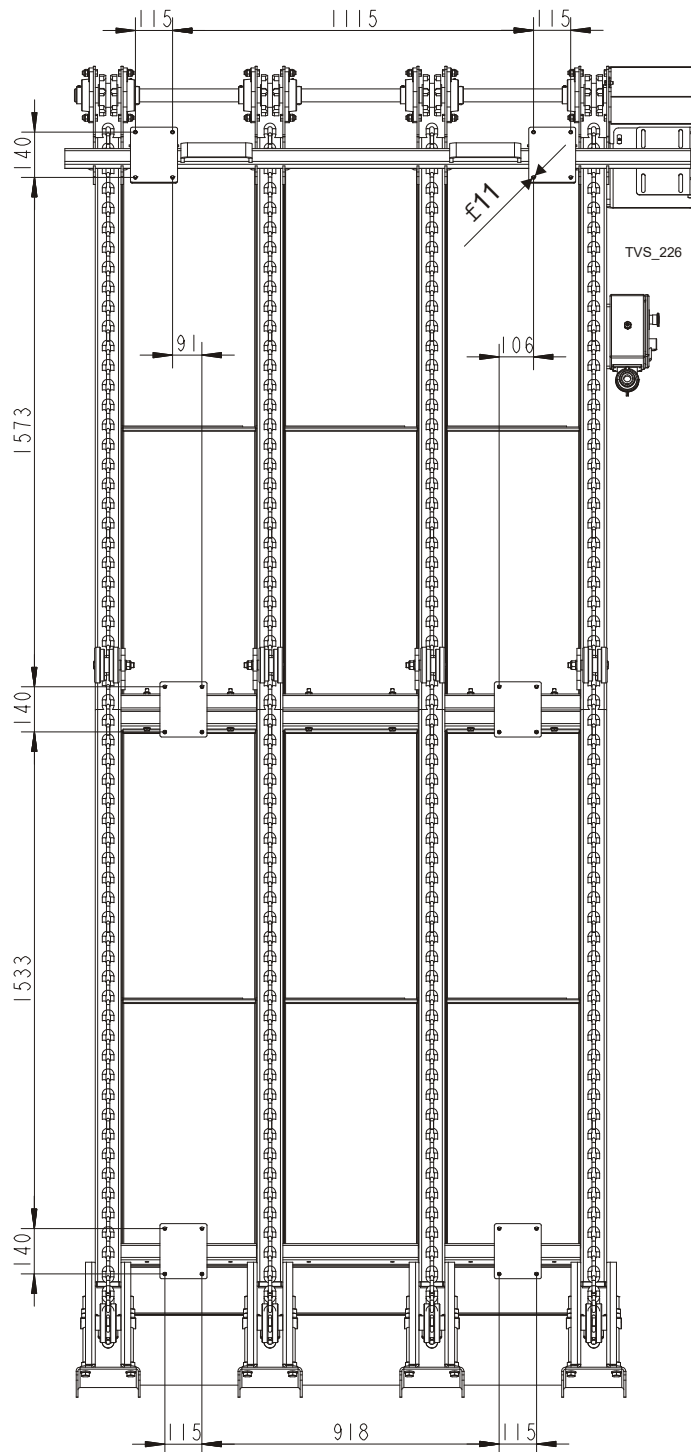


FIG. 4-3 SLPCTD-3.6

4 SPECIFICATIONS

Transfer Deck Dimensions

See Figure 4-4. The overall dimensions of the SLPCTD5.4 Cross Transfer Deck are shown below (all dimensions are in millimeters).

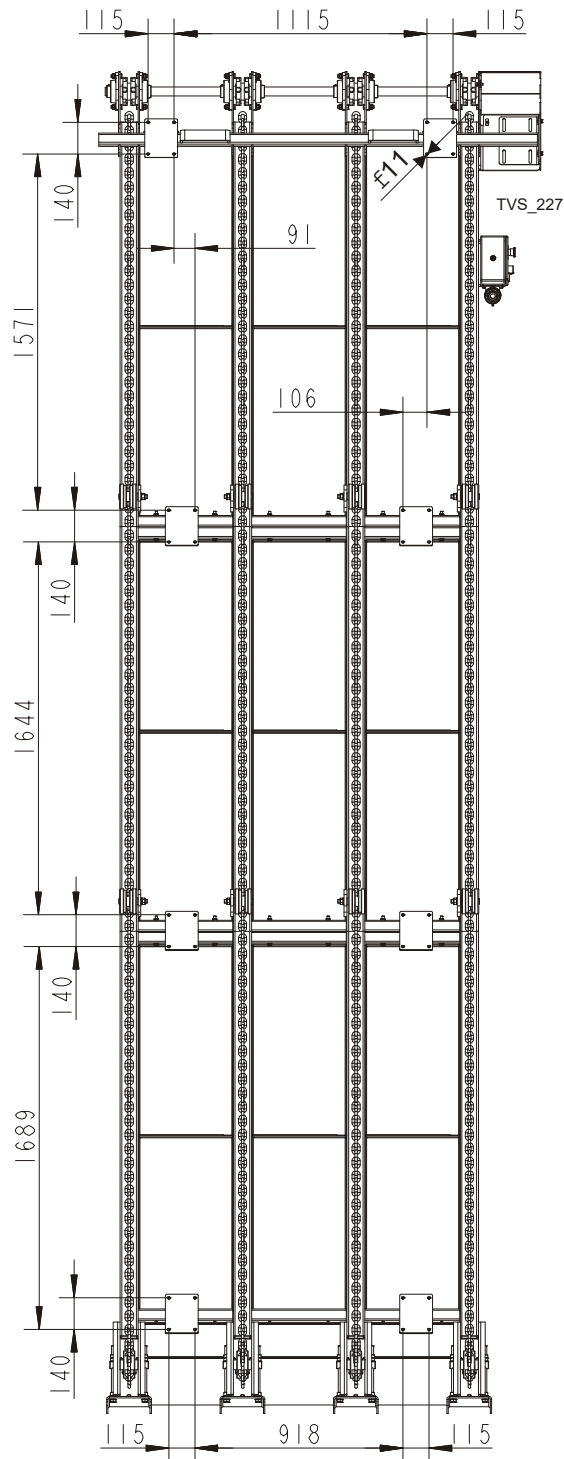


FIG. 4-4 SLPCTD-5.4

See Figure 4-5. The overall dimensions of the SLPCTD7.2 Cross Transfer Deck are shown below (all dimensions are in millimeters).

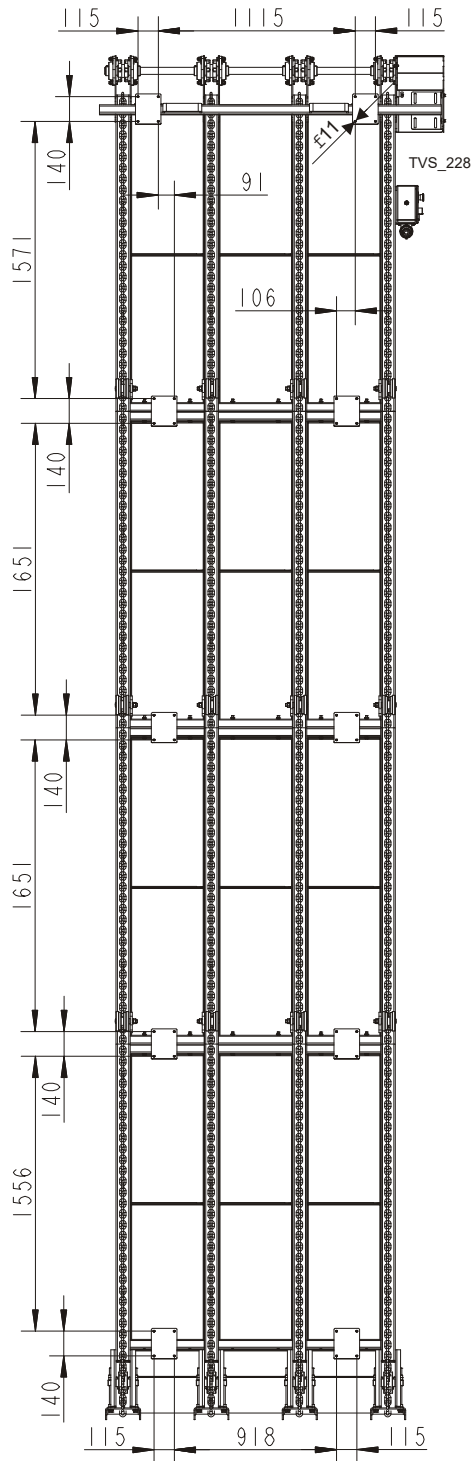


FIG. 4-5 SLPCTD-7.2

4

SPECIFICATIONS

Transfer Deck Dimensions

See Table 4-1. See the table below for the weight of your version SLPCTD.

Weight	SLPCTD -3.6 - 400 kg SLPCTD -5.4 - 500 kg SLPCTD -7.2 - 600 kg
---------------	--

TABLE 4-2

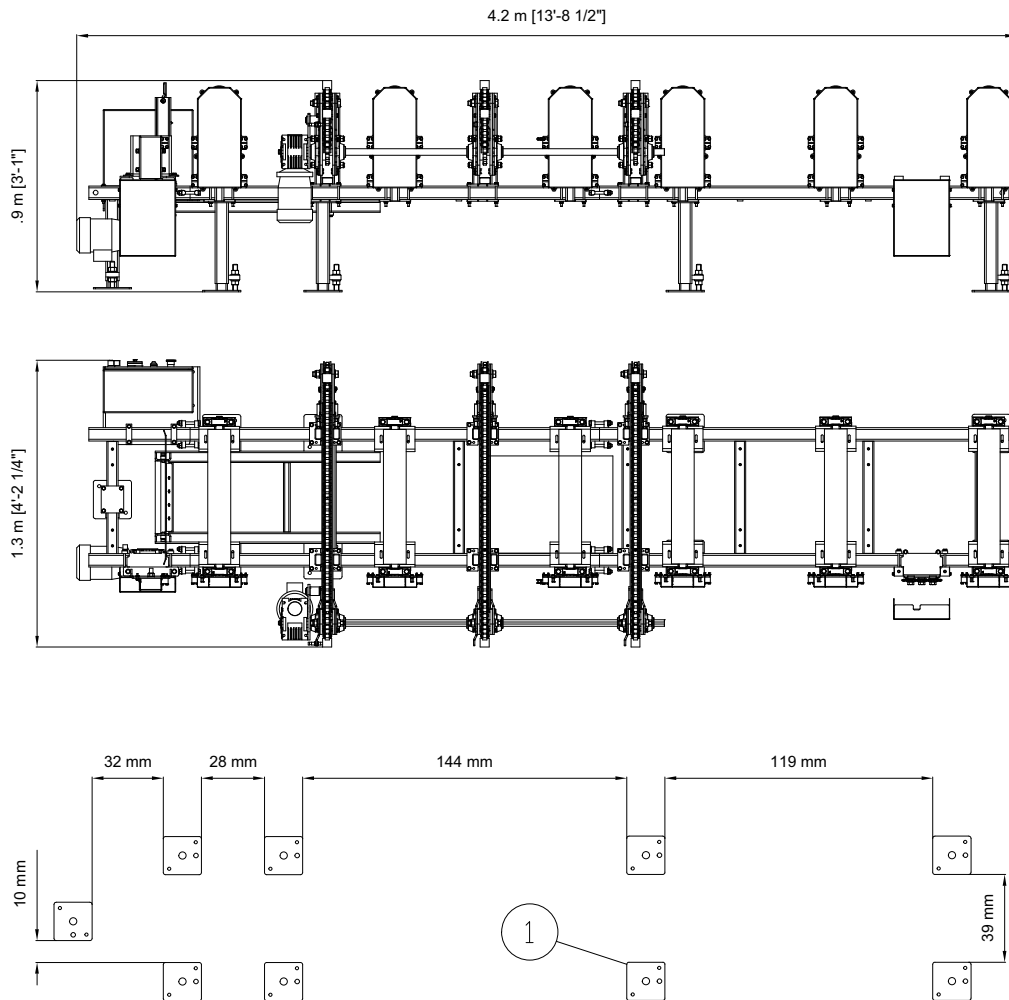
See Table 4-3. The material size of the SLP components are given below.

Cutting Length	1,2 - 3,6 m
Cutting Width	70-250 mm
Material Width	140-400 mm
Feed Speed	(0-20 m)/min
Minimum Log Width	100 mm / 3.937"
Maximum Log Width	400 mm / 11.81"

TABLE 4-3

- The materials being sawn on the line should be the same length. To cut a different length material, it may be necessary to change the locations of sensors, hold-down rollers and side discs.
- It is recommended that the materials being sawn be sorted by a diameter to achieve a higher production rate. In case of various log diameters, the largest diameter must be taken into account when adjusting the feed rate.
- The logs being cut should not have any protruding knots. The protruding knots may cause the log being cut to be unstable and not guided properly with the hold-down rollers.
- It is recommended that the material to be sawn should be debarked before sawing. This will increase the productivity of the line.

See Figure 4-6. The overall dimensions of the CR6-3_6 are shown below.



1.093594 x9

FIG. 4-6 CR6-3_6

4 SPECIFICATIONS

Transfer Deck Dimensions

See Figure 4-7. The overall dimensions of the CR6-5_4 are shown below.

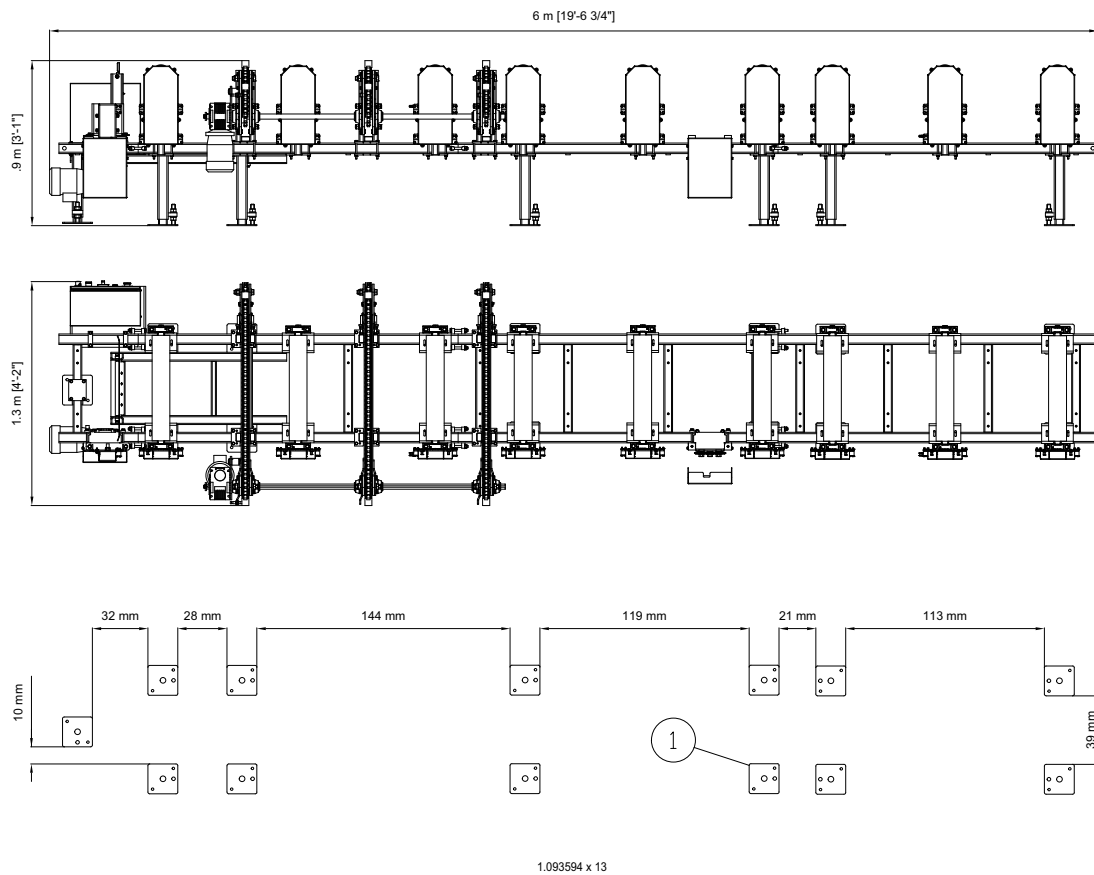


FIG. 4-7 CR6-5_4H-P

See Figure 4-8. The overall dimensions of the 093594 foot are shown below.

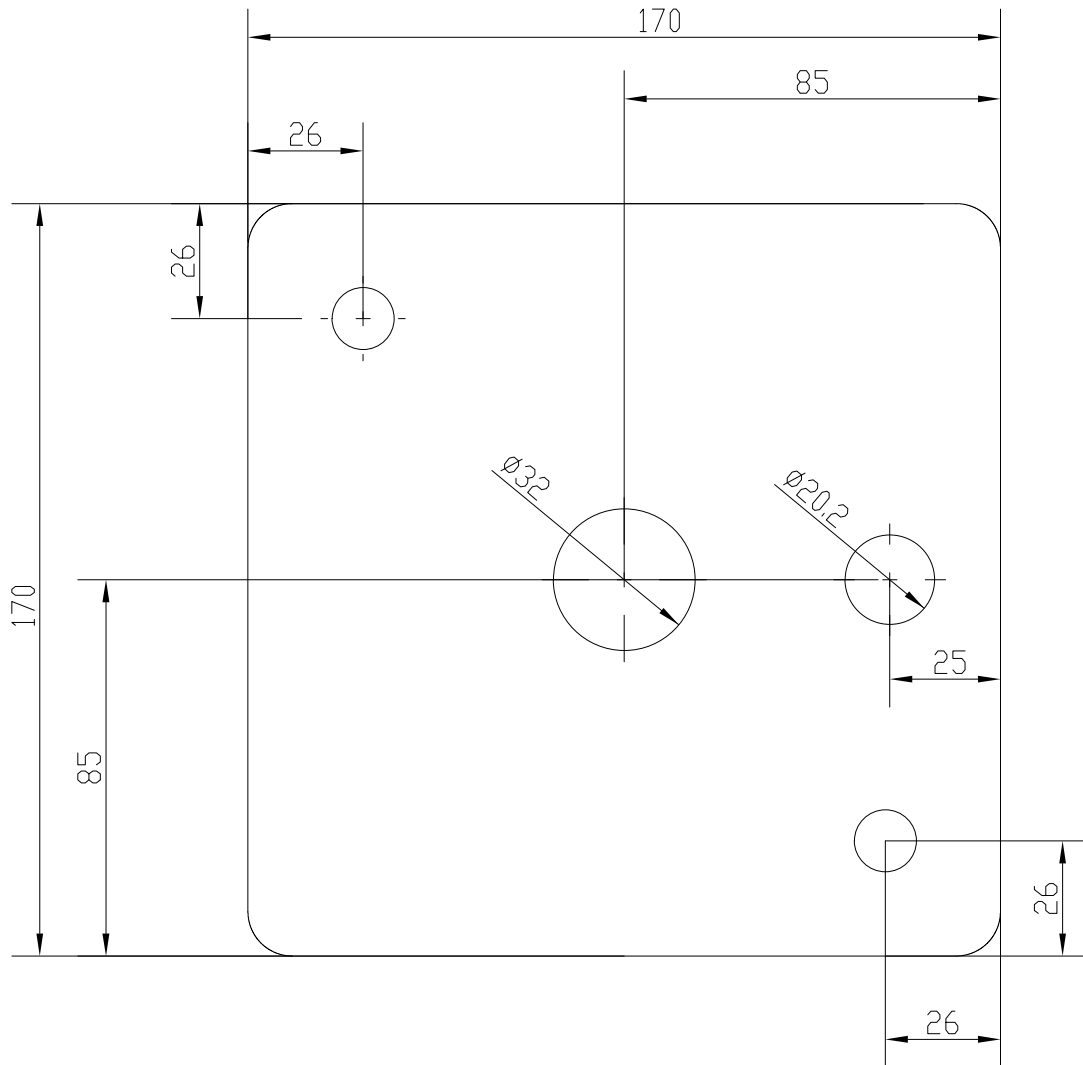


FIG. 4-8 093594

4.2 Motor Specifications

See Table 4-4. The specifications of the SLPCTD chain drive motor are listed below.

Motor Type	Manufacturer	Power	Other data
SKh80X-4C1	Besel	1.1kW	1380 r.p.m. 3x230/400V, 50Hz

TABLE 4-4

4 SPECIFICATIONS

Dust Extractor Specifications

4.3 Dust Extractor Specifications

See Table 4-5. Specifications of the dust extractors are listed below.

Airflow	2400 m ³ /h 7874 ft ³ /h
Inlet diameter	150 mm / 5,9"
Motor power	2x1,5 kW
Number of sacks	2 pcs
Sack capacity	0.25 m ³ 0,82 ft ³
Weight	110 kg / 242,5 lb
Recommended conveying air velocity in the duct	20 m/s 65,6 ft/s

TABLE 4-5



IMPORTANT! The dust extractor hoses must be grounded or made with materials not accumulating electrostatic charge. The dust extractor system should be made in accordance with EN 12779:2004 Standard.

4.4 Noise Level

See Table 4-6. The noise level of the SLP Line is given below¹².

	Noise Level L _{EX8}
SLP Line	93,5 dB (A)

TABLE 4-6

1. The noise level measurement was taken in accordance with PN-EN ISO 3746 Standard . The noise exposure level given above concerns an 8-hour work day.
2. The measured values refer to emission levels, not necessarily to noise levels in the workplace. Although there is a relation between emission levels and exposure levels, it is not possible to determine with certainty if preventives are needed or are not needed. The factors affecting a current level of noise exposure during work are inter alia room characteristics and characteristics of other noise sources, e.g. number of machines and machining operations nearby. Also, the permissible exposure level value may vary depending on country. This information enables the machine's user to better identify hazards and a risk.

SECTION 5 GENERAL INFORMATION

5.1 How To Use The Parts List

- Use the index above to locate the assembly that contains the part you need.
- Go to the appropriate section and locate the part in the illustration.
- Use the number pointing to the part to locate the correct part number and description in the table.
- Parts shown indented under another part are included with that part.
- Parts marked with a diamond (◆) are only available in the assembly listed above the part.

See the sample table below. Sample Part #A01111 includes part F02222-2 and subassembly A03333. Subassembly A03333 includes part S04444-4 and subassembly K05555. The diamond (◆) indicates that S04444-4 is not available except in subassembly A03333. Subassembly K05555 includes parts M06666 and F07777-77. The diamond (◆) indicates M06666 is not available except in subassembly K05555.

5.2 Sample Assembly				
REF	DESCRIPTION (◆ Indicates Parts Available In Assemblies Only)	PART #	QTY.	
	Sample Assembly, Complete (Includes All Indented Parts Below)	A01111	1	
3	Sample Part	F02222-22	1	
	Sample Subassembly (Includes All Indented Parts Below)	A03333	1	
4	Sample Part (◆ Indicates Part Is Only Available With A03333)	S04444-4	1	◆
	Sample Subassembly (Includes All Indented Parts Below)	K05555	1	
5	Sample Part (◆ Indicates Part Is Only Available With K05555)	M06666	2	◆
6	Sample Part	F07777-77	1	

To Order Parts:

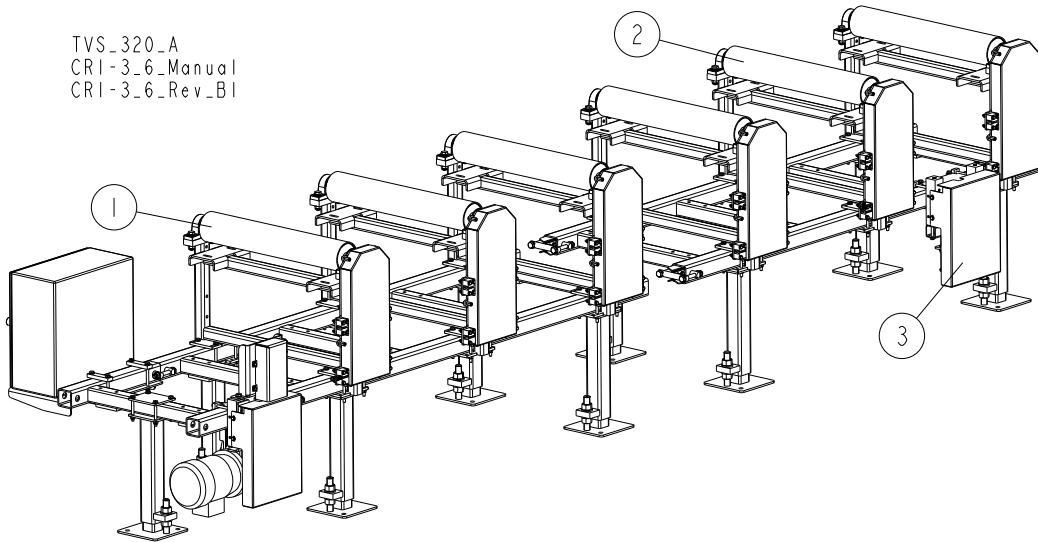
- From Europe call our European Headquarters and Manufacturing Facility in Kolo, Poland at **+48-63-2626000**. From the continental U.S., call our toll-free Parts hotline at **1-800-525-8100**. Have your customer number, vehicle identification number, and part numbers ready when you call. From other international locations, contact the Wood-Mizer distributor in your area for parts.



CAUTION! It is strongly recommended that only original spare parts be used.

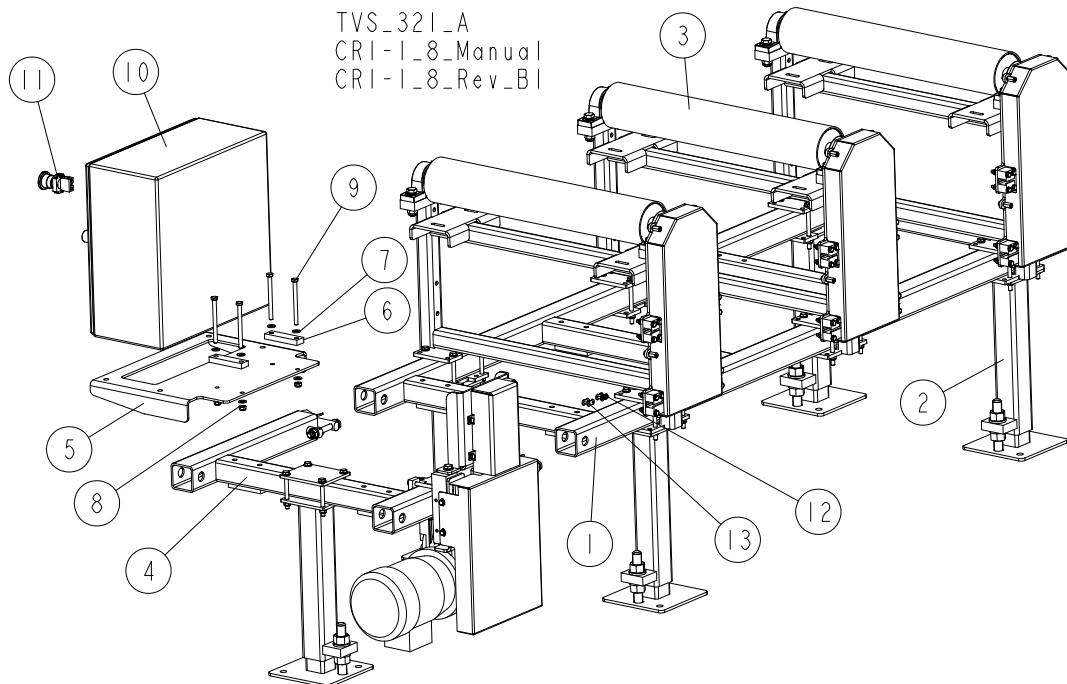
SECTION 6 ROLLER CONVEYORS

6.1 Roller Conveyor, CR 1, 2, 3 - 3.6



REF	DESCRIPTION (◆ indicates parts available in assemblies only)	PART #	QTY
	ROLLER CONVEYOR, L=600 3.6	CR1-3.6	1
	ROLLER CONVEYOR, L=1000 3.6	CR2-3.6	1
	ROLLER CONVEYOR, L=1300 3.6	CR3-3.6	1
1	ROLLER CONVEYOR, L=600 3.6 See Section 6.2	CR1-1.8	1
	ROLLER CONVEYOR, L=1000 3.6 See Section 6.2	CR2-1.8	1
	ROLLER CONVEYOR, L=1300 3.6 See Section 6.2	CR3-1.8	1
	ROLLER CONVEYOR, L=1300 3.6 ER See Section 6.2	CR3-1.8ER	1
2	CONVEYOR - EXTENSION MODULE See Section 6.5	CR1-EXT	1
	CONVEYOR - EXTENSION MODULE (L=1000) SEE See Section 6.5	CR2-EXT	1
	CONVEYOR - EXTENSION MODULE (L=1300) SEE See Section 6.5	CR3-EXT	1
3	CHAIN TENSIONER ASSEMBLY See Section 6.53	515276	1

6.2 Middle Module, CR 1, 2, 3 - 1.8



REF	DESCRIPTION (◆ indicates parts available in assemblies only)	PART #	QTY
	ROLLER CONVEYOR, L=600 3.6	CR1-1.8	1
	ROLLER CONVEYOR, L=1000 3.6	CR2-1.8	1
	ROLLER CONVEYOR, L=1300 3.6	CR3-1.8	1
	ROLLER CONVEYOR, L=1300 3.6 ER	CR3-1.8ER	1
1	FRAME WELDMENT, ROLLER CONVEYOR	506014-1	1
	FRAME WELDMENT, ROLLER CONVEYOR	507898-1	1
2	COMPLETE SHORT LEG See Section 6.4	506018	4
3	ROLLER ASSEMBLY, MIDDLE TABLE See Section 6.7	506031	3
	MEDIUM ROLLER ASSEMBLY(1M) See Section 6.51	507896	3
	WIDE ROLLER ASSEMBLY See Section 6.8	509424 ¹	3/5
4	EXTENSION DRIVE MODULE, CR 1 See Section 6.3	514007 ²	1
	EXTENSION DRIVE MODULE See Section 6.3	515277 ³	1
5	PLATE, ELECTRIC BOX MOUNT	508607-1	1
6	BAR, REAR MOUNTING	506186-1	2
7	WASHER, 8.4 FLAT ZINC	F81054-1	8
8	NUT, M8-8-B HEX NYLON ZINC LOCK	F81032-2	4
9	BOLT, M8X100-8.8 HEX HEAD ZINC	F81002-23	4
10	BOX, AC 4KW ELECTRIC	507254	1
11	SWITCH, XB2 BS542 EMERGENCY	086556	1
12	CHAIN, 08B-1 529-LINK (6.72M)	510165	1
	CHAIN, 08B-1 465-LINK (5.9)	511148 ⁴	1
13	LINK, 08B-1PZ CHAIN	090712	1

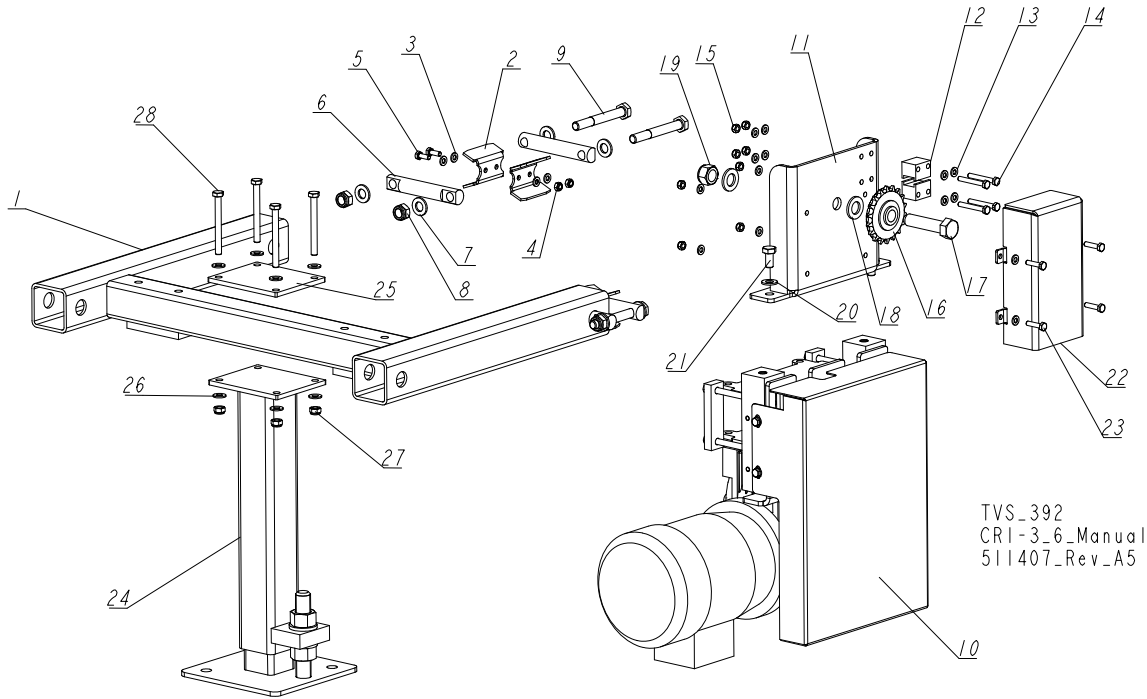
¹ The CR3-1.8 ER version is equipped with 5 pieces.

² Not applied in the CR3-1.8 ER version

³ Not applied in the CR3-1.8 ER version

⁴ Applied in the CR3-1.8 ER version

6.3 Extension Drive Module



REF	DESCRIPTION (◆ indicates parts available in assemblies only)	PART #	QTY
	EXTENSION DRIVE MODULE, CR 1	514007	1
	EXTENSION DRIVE MODULE	515277	1
	EXTENSION DRIVE MODULE	526232	1
	EXTENSION DRIVE MODULE	526659	1
1	FRAME WELDMENT, EXTENSION DRIVE MODULE	514008-1 ¹	1
	FRAME WELDMENT, EXTENSION DRIVE MODULE	515278-1 ²	1
	PLATE ASSEMBLY, SEGMENT CONNECTION SEE S	508365	2
2	PLATE, SEGMENT CONNECTION	508364-1	2
3	WASHER, 6.4 FLAT ZINC	F81053-1	4
4	NUT, M6-8-B HEX NYLON ZINC LOCK	F81031-2	2
5	BOLT, M6X16 8.8 HEX HEAD FULL THREAD ZIN	F81001-15	2
6	PIN, SEGMENT CONNECTION	508366-1 ³	4
	PIN, SEGMENT CONNECTION	516331-1 ⁴	4
7	WASHER, 13 FLAT ZINC	F81056-1	8
8	NUT, M12 8 HEX NYLON ZINC LOCK	F81034-2	4
9	BOLT, M12X95 8.8 HEX HEAD ZINC	F81004-29	4
10	DRIVE ASSEMBLY, ROLLER CONVEYOR See Section 6.6	506185 ⁵	1
	DRIVE ASSEMBLY, ROLLER CONVEYOR See Section 6.6	526235 ⁶	1
11	BRACKET, SPROCKET MOUNT	513982 ⁷	1
	BRACKET, SPROCKET MOUNT	526234-1 ⁸	1
12	GUIDE, 08B CONVEYOR CHAIN	507925 ⁹	2
	GUIDE, 08B-1 CONVEYOR CHAIN	526238 ¹⁰	2
13	WASHER, 6.4 FLAT ZINC	F81053-1	16
14	BOLT, M6X40-8.8 HEX HEAD FULL THREAD ZIN	F81001-5	4
15	NUT, M6-8-B HEX NYLON ZINC LOCK	F81031-2	8

REF	DESCRIPTION (◆ indicates parts available in assemblies only)	PART #	QTY	
16	SPROCKET, IDLER Z=18 KSR16.L0.08.10.18.0	088700	1	
17	BOLT, M16X65-8.8 HEX HEAD FULL THREAD ZINC	F81006-1	1	
18	WASHER, 17 FLAT ZINC	F81058-1	2	
19	NUT, M16-8 HEX NYLON ZINC LOCK	F81036-2	1	
20	WASHER, 10.5 FLAT ZINC	F81055-1	2	
21	BOLT, M10X20-5.8 HEX HEAD FULL THREAD ZINC	F81003-1	2	
22	GUARD, CR8 SPROCKET	513983-1 ¹¹	1	
	GUARD, CR8 SPROCKET	526236-1 ¹²	1	
23	BOLT, M6X20-8.8 HEX HEAD FULL THREAD ZIN	F81001-2	4	
24	COMPLETE SHORT LEG See Section 6.4	506018	1	
25	PLATE, LEG MOUNTING	505964-1	1	
26	WASHER, 8.4 FLAT ZINC	F81054-1	8	
27	NUT, M8-8-B HEX NYLON ZINC LOCK	F81032-2	4	
28	BOLT, M8X80-8.8 HEX HEAD ZINC	F81002-18	4	

¹ Included in assemblies # 514007 and 526232

² Included in assemblies # 515277, 526659

³ Included in assemblies # 514007, 515277, 526232

⁴ Included in assy # 526659

⁵ Included in assemblies # 514007 and 515277, 526659

⁶ Included in assy # 526232

⁷ Included in assemblies # 514007 and 515277, 526659

⁸ Included in assy # 526232

⁹ Included in assemblies # 514007 and 515277

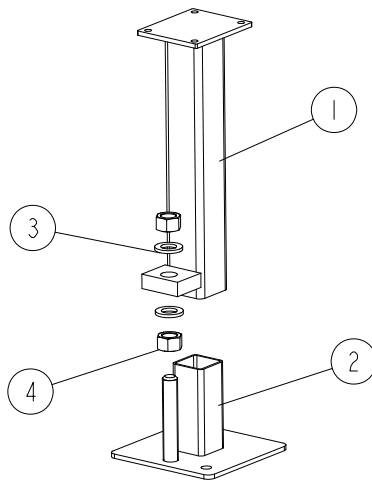
¹⁰ Included in assemblies # 526232, 526659

¹¹ Included in assemblies # 514007 and 515277, 526659

¹² Included in assy # 526232

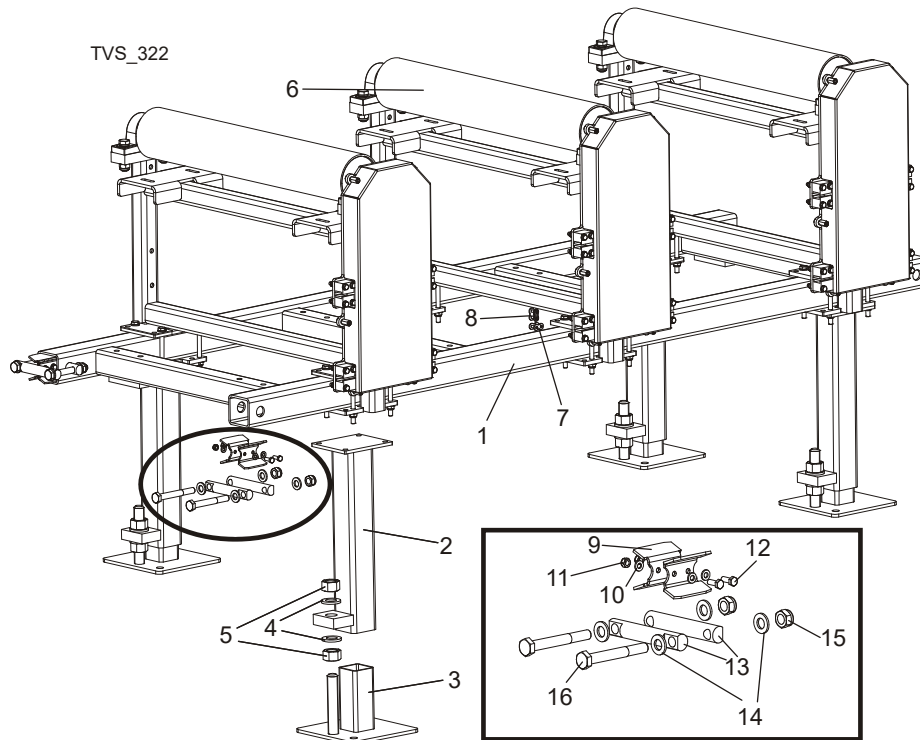
6.4 Short Leg

TVS_390
CRI-1_8_Manual
506018_Rev_A6



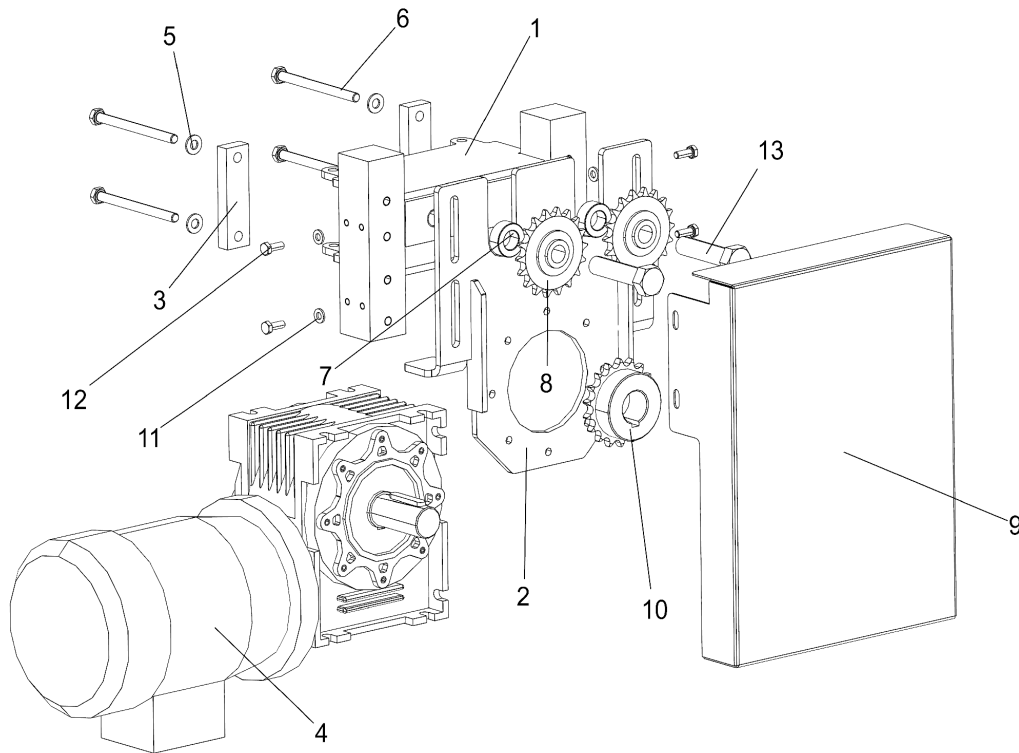
REF	DESCRIPTION (◆ indicates parts available in assemblies only)	PART #	QTY
	COMPLETE SHORT LEG	506018	1
1	LEG WELDMENT, SHORT	506017-1	1
2	FOOT, LES TABLE LEG	099281-1	1
3	WASHER, 21 FLAT ZINC	F81059-2	2
4	NUT, M20-8- HEX ZINC	F81037-1	2

6.5 Conveyor Extension Module, CR 1, 2, 3



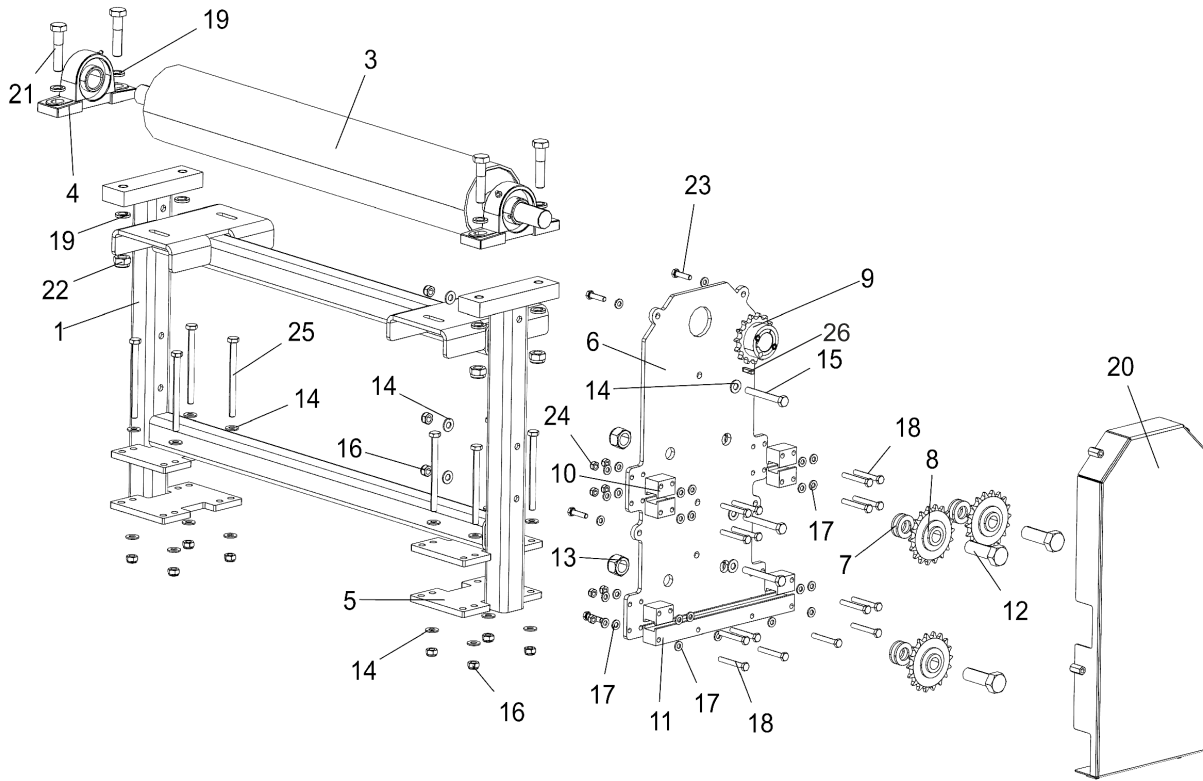
REF	DESCRIPTION (◆ indicates parts available in assemblies only)	PART #	QTY
	CONVEYOR - EXTENSION MODULE	CR1-EXT	1
	CONVEYOR - EXTENSION MODULE (L=1000) SEE	CR2-EXT	1
	CONVEYOR - EXTENSION MODULE (L=1300) SEE	CR3-EXT	1
1	FRAME WELDMENT, ROLLER CONVEYOR	506014-1	1
	FRAME WELDMENT, ROLLER CONVEYOR	507898-1	1
	COMPLETE SHORT LEG	506018	4
2	LEG WELDMENT, SHORT	506017-1	1
3	FOOT, LES TABLE LEG	099281-1	1
4	WASHER, 21 FLAT ZINC	F81059-2	2
5	NUT, M20-8- HEX ZINC	F81037-1	2
6	ROLLER ASSEMBLY, MIDDLE TABLE See Section 6.7	506031	3
	MEDIUM ROLLER ASSEMBLY(1M) See Section 6.51	507896	3
	WIDE ROLLER ASSEMBLY See Section 6.8	509424	3
7	CHAIN, 08B-1 395-LINK (5.0M)	510164	1
8	LINK, 08B-1PZ CHAIN	090712	1
	PLATE ASSEMBLY, SEGMENT CONNECTION SEE S	508365	2
9	PLATE, SEGMENT CONNECTION	508364-1	2
10	WASHER, 6.4 FLAT ZINC	F81053-1	4
11	NUT, M6-8-B HEX NYLON ZINC LOCK	F81031-2	2
12	BOLT, M6x16 8.8 HEX HEAD FULL THREAD ZINC	F81001-15	2
13	PIN, SEGMENT CONNECTION	508366-1	4
14	WASHER, 13 FLAT ZINC	F81056-1	8
15	NUT, M12 8 HEX NYLON ZINC LOCK	F81034-2	4
16	BOLT, M12X95 8.8 HEX HEAD ZINC	F81004-29	4

6.6 Roller Conveyor Drive Assembly



REF	DESCRIPTION (◆ indicates parts available in assemblies only)	PART #	QTY
	DRIVE ASSEMBLY, ROLLER CONVEYOR	506185	1
1	MOUNT WELDMENT, CONVEYOR DRIVE	506184-1	1
2	BRACKET WELDMENT, REDUCER MOUNT	506020-1	1
3	BAR, REAR MOUNTING	506186-1	2
4	REDUCER, MR-63/24.5/1.1-1400/K3/V6	509437	1
5	WASHER, 8.4 FLAT ZINC	F81054-1	4
6	BOLT, M8X100-8.8 HEX HEAD ZINC	F81002-23	4
7	WASHER, N17XN30X12 SPECIAL ZINC-PLATED	506003	2
8	SPROCKET, IDLER Z=18 KSR16.L0.08.10.18.0	088700	2
9	GUARD, CONVEYOR DRIVE	507944-1	1
10	WHEEL, 18Z08Bn28 (T64991+T31039) TOOTHED	506325	1
11	WASHER, 6.4 FLAT ZINC	F81053-1	4
12	BOLT, M6X16 8.8 HEX HEAD FULL THREAD ZIN	F81001-15	4
13	BOLT, M16x65-8.8 HEX HEAD FULL THREAD ZINC	F81006-1	2

6.7 Middle Table Roller Assembly



REF	DESCRIPTION (◆ indicates parts available in assemblies only)	PART #	QTY
	ROLLER ASSEMBLY, MIDDLE TABLE	506031	1
1	ROLLER ASSEMBLY, ROLLER CONVEYOR	526239	1
2	TRANSMISSION ASSEMBLY	526228	1
3	TRANSMISSION ASSEMBLY	526241	1
4	MOUNT WELDMENT, TABLE ROLLER	506030-1	1
5	ROLLER ASSMEBLY, N101.6X600	506006	1
6	ROLLER ASSMEBLY, 101.6x600	526230 ¹	1
7	ROLLER WELDMENT, N101.6X600 PTD.	506005-1	1
8	ROLLER WELDMENT, N101.6X600	526231-1 ²	1
9	BEARING ASSEMBLY, UCP205 CX	088468	2
10	PLATE, MOUNTING	506028-1	2
11	PLATE, SPROCKET MOUNT	506019-1	1
12	PLATE, ROLLER MOUNT	526242-1 ¹	1
13	WASHER, 17 FLAT ZINC	F81058-1	6
14	SPROCKET, IDLER Z=18 KSR16.L0.08.10.18.0	088700	3
15	SPROCKET, Z15 08B T43979+T31015	507924	1
16	GUIDE, 08B CONVEYOR CHAIN	507925 ³	6
17	GUIDE, 08B-1 CONVEYOR CHAIN	526238 ⁴	6
18	BOLT, M6X40-8.8 HEX HEAD FULL THREAD ZIN	F81001-5	16
19	GUIDE, 08B-1 CONVEYOR CHAIN	526237 ²	1
20	BOLT, M16 X 50-8.8 HEX HEAD	F81006-7	3
21	NUT, M16-8 HEX NYLON ZINC LOCK	F81036-2	3

22	WASHER, 8.4 FLAT ZINC	F81054-1	22	
23	BOLT, M8X65-5.8 ZINC HEX HEAD	F81002-3	3	
24	NUT, M8-8-B HEX NYLON ZINC LOCK	F81032-2	11	
25	BOLT, M8X90-8.8 HEX HEAD FULL THREAD	F81002-16	8	
26	KEY, A8x5x32 PARALLEL	515811 ¹	1	
	KEY A 8X7X32 DIN 6885	526581 ²	1	

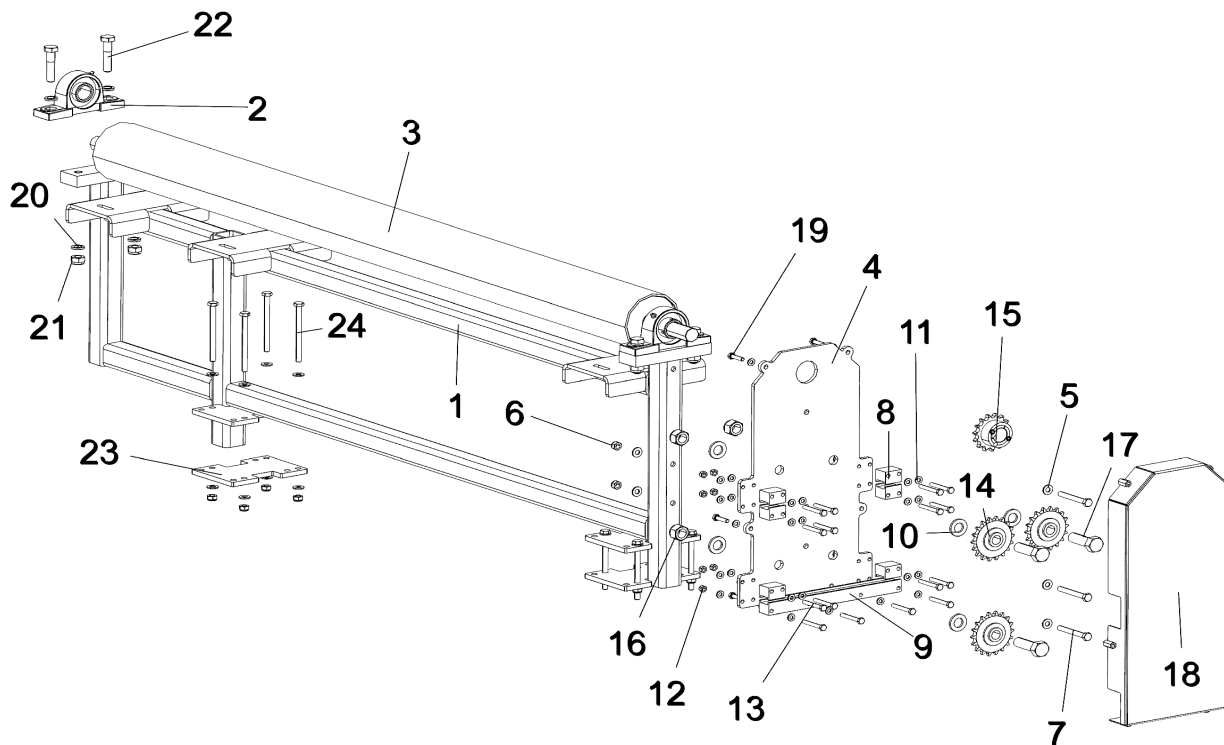
¹ Included in assy # 526228, 526241

² Included in assy # 526230

³ Included in assy # 506031

⁴ Included in assy # 526228, 526239, 526241

6.8 Wide Roller Module



REF	DESCRIPTION (◆ indicates parts available in assemblies only)	PART #	QTY
	WIDE ROLLER ASSEMBLY	509424	1
	WIDE ROLLER SEGMENT	526595	1
	WIDE ROLLER SEGMENT - SPECIAL	526658	1
	WIDE ROLLER SEGMENT - SPECIAL	526656	1
	WIDE ROLLER SEGMENT	526600	1
1	MOUNT WELDMENT, WIDE ROLLER	509419-1 ¹	1
	MOUNT WELDMENT, WIDE ROLLER	526598-1 ²	1
	MOUNT WELDMENT, WIDE ROLLER	516385-1 ³	1
	MOUNT WELDMENT, WIDE ROLLER	526601-1 ⁴	1
3	ROLLER WELDMENT, n101.6x1300	509421-1 ⁵	1
	ROLLER WELDMENT, n101.6x1300	526596-1 ⁶	1
4	PLATE, SPROCKET MOUNT	506019-1 ⁷	1
	PLATE, ROLLER MOUNT	526242-1 ⁸	1
5	WASHER, 8.4 FLAT ZINC	F81054-1	22
6	NUT, M8-8-B HEX NYLON ZINC LOCK	F81032-2	11
7	BOLT, M8X65-5.8 ZINC HEX HEAD	F81002-3	3
8	GUIDE, 08B CONVEYOR CHAIN	507925 ⁹	6
	GUIDE, 08B-1 CONVEYOR CHAIN	526238 ¹⁰	6
9	GUIDE, 08B CONVEYOR CHAIN	507939 ¹¹	1
	GUIDE, 08B-1 CONVEYOR CHAIN	526237 ¹²	1

10	WASHER, 17 FLAT ZINC	F81058-1	6	
11	WASHER, 6.4 FLAT ZINC	F81053-1	38	
12	NUT, M6-8-B HEX NYLON ZINC LOCK	F81031-2	16	
13	BOLT, M6X40-8.8 HEX HEAD FULL THREAD ZIN	F81001-5	16	
14	SPROCKET, IDLER Z=18 KSR16.L0.08.10.18.0	088700	3	
15	SPROCKET, Z15 08B T43979+T31015	507924	1	
16	NUT, M16-8 HEX NYLON ZINC LOCK	F81036-2	3	
17	BOLT, M16 X 50-8.8 HEX HEAD	F81006-7	3	
18	GUARD WELDMENT, ROLLER DRIVE	508367-1 ¹³	1	
	GUARD WELDMENT, ROLLER DRIVE	526243-1 ¹⁴	1	
	GUARD WELDMENT, ROLLER DRIVE	526245-1 ¹⁵	1	
19	BOLT, M6X25-8.8 HEX HEAD FULL THREAD ZIN	F81001-3	6	
20	WASHER, 12.2 SPLIT LOCK	F81056-2	8	
21	NUT, M12 8 HEX NYLON ZINC LOCK	F81034-2	4	
22	BOLT, M12x55 8.8 HEX HEAD ZINC	F81004-43	4	
23	PLATE, MOUNTING	506028-1 ¹⁶	2	
	PLATE, MOUNTING	526602-1 ¹⁷	2	
24	BOLT, M8X90-8.8 HEX HEAD FULL THREAD	F81002-16	8	

¹ Included in assy No. 509424

² Included in assemblies No. 526595, 526658

³ Included in assy No. 526656

⁴ Included in assy No. 526600

⁵ Included in assemblies No. 509424, 526656, 526600

⁶ Included in assemblies No. 526595, 526658

⁷ Included in assemblies No. 509424, 526656, 526600

⁸ Included in assemblies No. 526595, 526658

⁹ Included in assy No. 509424

¹⁰ Included in assemblies No. 526595, 526658, 526656, 526600

¹¹ Included in assy No. 509424

¹² Included in assemblies No. 526595, 526658, 526656, 526600

¹³ Included in assemblies No. 509424, 526656, 526600

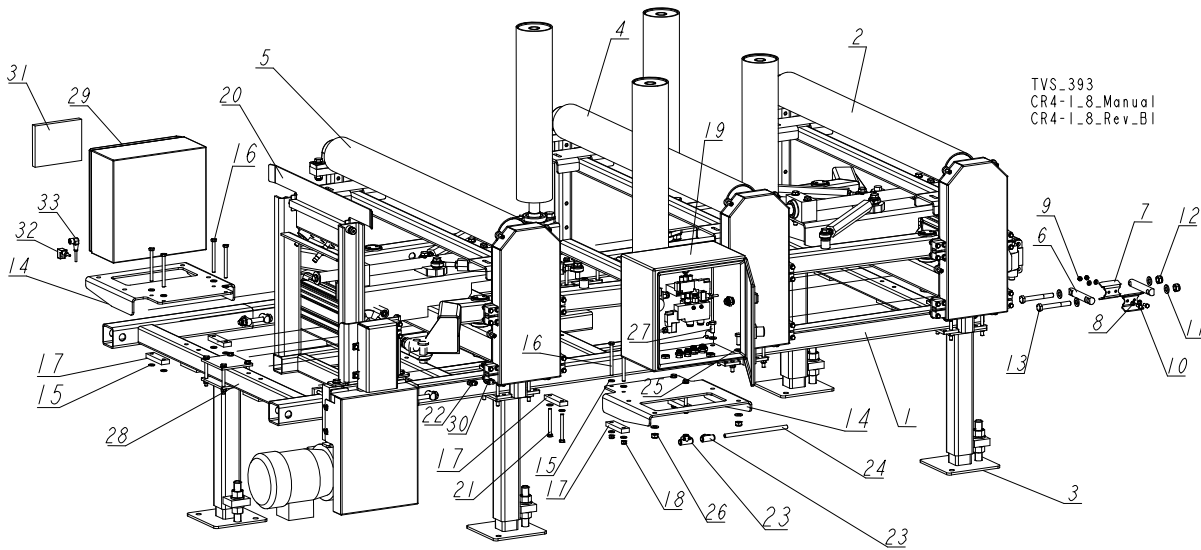
¹⁴ Included in assy No. 526595

¹⁵ Included in assy No. 526658

¹⁶ Included in assemblies No. 509424, 526595, 526658, 526656

¹⁷ Included in assy No. 526600

6.9 CR4 Centring Table

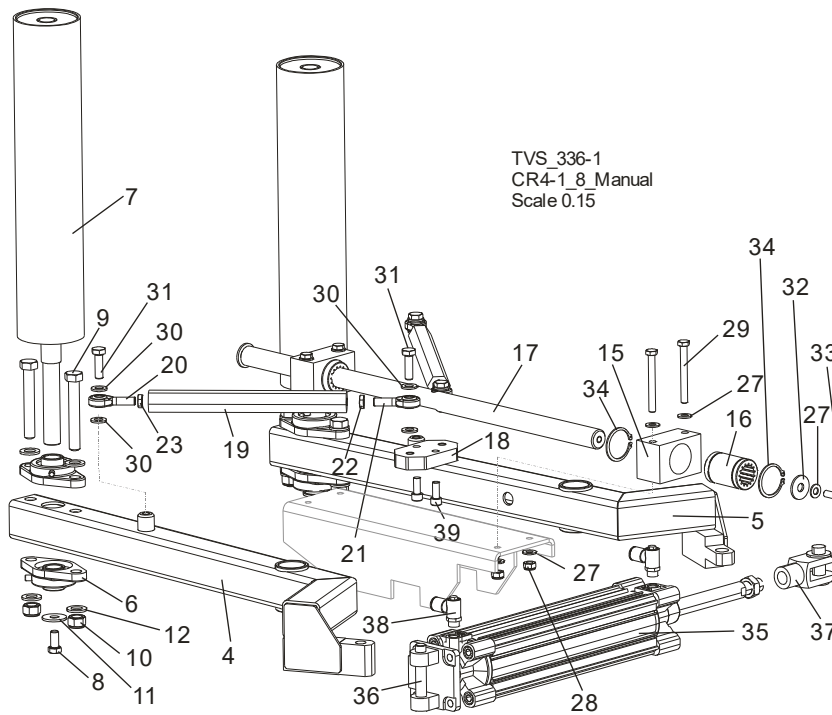
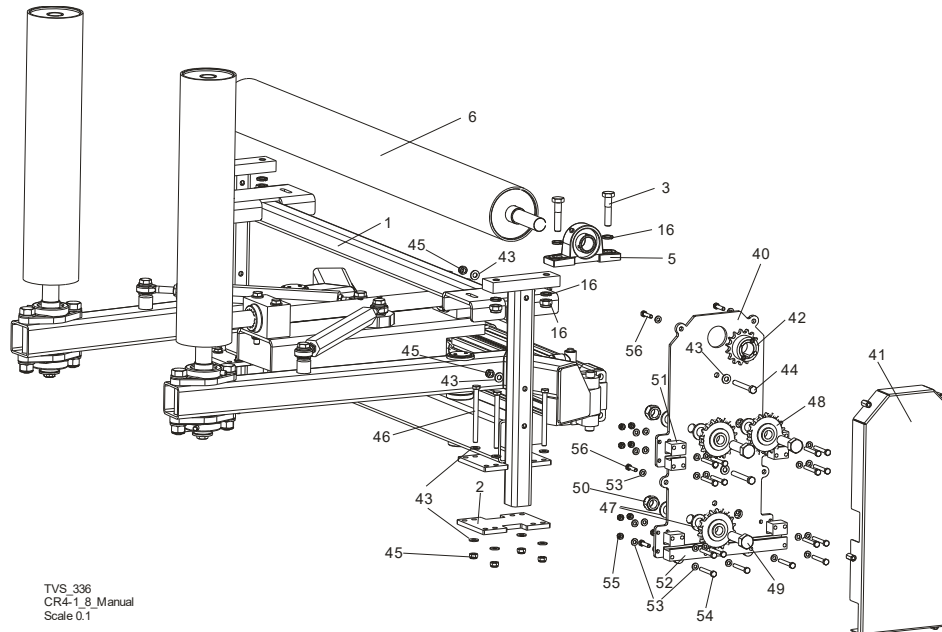


REF	DESCRIPTION (◆ indicates parts available in assemblies only)	PART #	QTY
	TABLE, 1.8 CENTRING	CR4-1.8	1/0
	TABLE, 3.6 CENTRING	CR4-3.6	0/1
1	FRAME WELDMENT, ROLLER CONVEYOR	507898-1	1/2
2	LOG CENTRING SYSTEM - COMPLETE See Section 6.10	507910	1/1
3	COMPLETE SHORT LEG See Section 6.4	506018	4/8
4	MEDIUM ROLLER ASSEMBLY(1M) See Section 6.51	507896	1/4
5	LEFT LOG CENTRING SYSTEM - COMPLETE See Section 6.10	510438	1/1
6	PIN, SEGMENT CONNECTION	508366-1	4/4
	PLATE ASSEMBLY, SEGMENT CONNECTION SEE S	508365	2/2
7	PLATE, SEGMENT CONNECTION	508364-1	2
8	WASHER, 6.4 FLAT ZINC	F81053-1	4
9	NUT, M6-8-B HEX NYLON ZINC LOCK	F81031-2	2
10	BOLT, M6x16 8.8 HEX HEAD FULL THREAD ZINC	F81001-15	2
11	WASHER, 13 FLAT ZINC	F81056-1	8/8
12	NUT, M12 8 HEX NYLON ZINC LOCK	F81034-2	4/4
13	BOLT, M12X95 8.8 HEX HEAD ZINC	F81004-29	4/4
14	PLATE, ELECTRIC BOX MOUNT	510592-1	2/2
15	WASHER, 8.4 FLAT ZINC	F81054-1	24/24
16	BOLT, M8x90-8.8 HEX HEAD FULL THREAD ZINC	F81002-16	8/8
17	BAR, REAR MOUNTING	506186-1	8/8
18	NUT, M8-8-B HEX NYLON ZINC LOCK	F81032-2	8/8
19	BOX, AIR - COMPLETE See Section 6.11	510445	1/1
20	ACTIVATOR PLATE ASSEMBLY See Section 6.52	506320	1/1
21	BOLT, M8X75-8.8 HEX HEAD ZINC	F81002-91	8/8
22	CHAIN, 08B-1 395-LINK (5.0M)	510164	0/1
	CHAIN, 08B-1 529-LINK (6.72M)	510165	1/1
23	FITTING, TEE	511069	2/0
24	HOSE, POLYURETHANE	511071	1/0
25	WASHER, 10.5 FLAT ZINC	F81055-1	8/0

26	NUT, M10-8-B HEX NYLON ZINC LOCK	F81033-1	4/0	
27	BOLT, M10X25-8.8-FE/ZN5	F81003-11	4/0	
28	EXTENSION DRIVE MODULE See Section 6.3	515277	1/1	
29	BOX, CENTRING TABLE ELECTRIC	507256 ¹	1/1	
30	LINK, 08B-1PZ MASTER	091625	1/2	
31	MOTOR SPEED CONTROLLER, ATV31HU11N4	093488	1/1	
32	CABLE, BCC VC04-0000-10-053-PX0350-020	510614	1/1	
33	CABLE, BCC M425-0000-1A-003-VX8434-050	087652	1/1	

¹ See the Electrical Components List for detailed information.

6.10 Log Centring System



REF	DESCRIPTION (◆ indicates parts available in assemblies only)	PART #	QTY
	LOG CENTRING SYSTEM - COMPLETE	507910	1
	LEFT LOG CENTRING SYSTEM - COMPLETE	510438	1
1	SUPPORT WELDMENT, CENTRING ARM	507905-1	1
2	PLATE, MOUNTING	506028-1	2
3	ROLLER ASSEMBLY, LEFT CENTRING	507889	1
	ROLLER ASSEMBLY, RIGHT CENTRING	507890	1
4	ARM WELDMENT, CENTERING	507888-1 ¹	1
5	ARM WELDMENT, CENTERING	507906-1 ²	1
6	BEARING, UCFL205, (COMPLEX). W/HOUSING	089124	2

7	ROLLER, CENTRING	507903-1	1	
8	BOLT, M12x25-8.8 HEX HEAD FULL THREAD ZINC	F81004-31	1	
9	BOLT, M16x110-8.8 HEX HEAD ZINC	F81006-24	2	
10	NUT, M16-8 HEX NYLON ZINC LOCK	F81036-2	2	
11	WASHER, 13 SPECIAL FLAT ZINC	F81056-14	1	
12	WASHER, 17 FLAT ZINC	F81058-1	4	
13	BEARING ASSEMBLY, UCP205 CX	088468	2	
14	ROLLER WELDMENT, 101.6X1000	507893-1	1	
15	BLOCK, SHAFT ZINC-PL. GUIDE	507914-1	2	
16	BUSHING, RJM-01-30 SLIDE	507923	2	
17	SHAFT, ZINC-PLATED	507919-1	1	
18	PLATE, CYLINDER MOUNT	507921-1	1	
	TURNBUCKLE ASSEMBLY	507883	2	
19	TURNBUCKLE	507882-1	1	
20	ROD END (RIGHT THREAD)	087035	1	
21	END, ROD LEFT THREAD	087036	1	
22	NUT, M12-04-A LEFT HEX THIN	F81034-7	1	
23	NUT, M12-04-A RIGHT HEX THIN	F81034-6	1	
24	WASHER, 12.2 SPLIT LOCK	F81056-2	8	
25	NUT, M12 8 HEX NYLON ZINC LOCK	F81034-2	4	
26	BOLT, M12X55 8.8 HEX HEAD ZINC	F81004-43	4	
27	WASHER, 10.5 FLAT ZINC	F81055-1	10	
28	NUT, M10-8-B HEX NYLON ZINC LOCK	F81033-1	4	
29	BOLT, M10X90-8.8 HEX HEAD FULL THREAD ZINC	F81003-90	4	
30	WASHER, 13 FLAT ZINC	F81056-1	8	
31	BOLT, M12X40 8.8 HEX HEAD FULL THR.ZINC	F81004-4	4	
32	WASHER, 13 SPECIAL FLAT ZINC	F81056-14	2	
33	BOLT, M10X30-8.8 HEX HEAD FULL THREAD ZI	F81003-2	2	
34	RING, Z47 OUTSIDE RETAINING	F81090-54	4	
	CYLINDER, CP96 PNEUMATIC	511061	1	
35	CYLINDER, PNEUMATIC	511638	1	
36	CLEVIS, D5080(F) DOUBLE (SMC)	511062	1	
37	JOINT, GKM20-40 DOUBLE KNUCKLE (SMC)	511060	1	
38	VALVE, AS320IF-03-10S FLOW CONTROL	511070	2	
39	SCREW, M10x25 8.8 HEX SOCKET HEAD CAP ZINC	F81003-32	2	
40	PLATE, SPROCKET MOUNT	506019-1	1	
41	GUARD WELDMENT, ROLLER DRIVE	508367-1	1	
42	SPROCKET, Z15 08B T43979+T31015	507924	1	
43	WASHER, 8.4 FLAT ZINC	F81054-1	20	
44	BOLT, M8x65-5.8 HEX HEAD ZINC	F81002-3	2	
45	NUT, M8-8-B HEX NYLON ZINC LOCK	F81032-2	10	
46	BOLT, 8MM x 1.25 x 90MM HH FT ZINC	F81002-16	8	
47	WASHER, 17 FLAT ZINC	F81058-1	6	
48	SPROCKET, IDLER Z=18 KSR16.L0.08.10.18.0	088700	3	
49	BOLT, M16x50-8.8 HEX HEAD FULL THREAD ZINC	F81006-7	3	
50	NUT, M16-8 HEX NYLON ZINC LOCK	F81036-2	3	
51	GUIDE, 08B CONVEYOR CHAIN	507925	6	
52	GUIDE, 08B CONVEYOR CHAIN	507939	1	
53	WASHER, 6.4 FLAT ZINC	F81053-1	38	

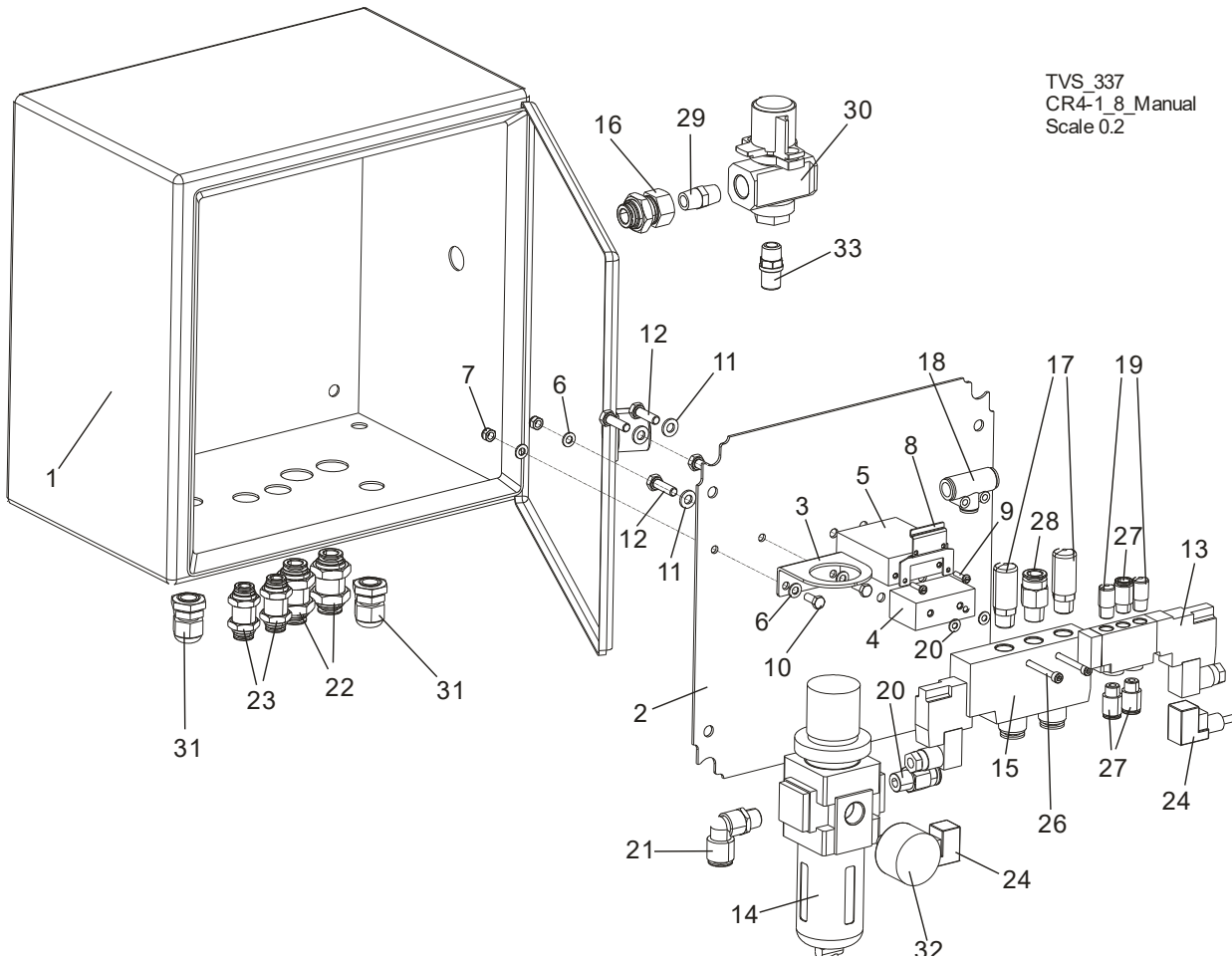
6**Roller Conveyors**
Log Centring System

54	BOLT, M6X40MM,HEX HEAD,FULL THRD,ZINC	F81001-5	16	
55	NUT, M6-8-B HEX NYLON ZINC LOCK	F81031-2	16	
56	BOLT, M6x25-5.8 HEX HEAD FULL THREAD ZINC	F81001-3	6	

¹ Included in assembly #507889

² Included in assembly #507890

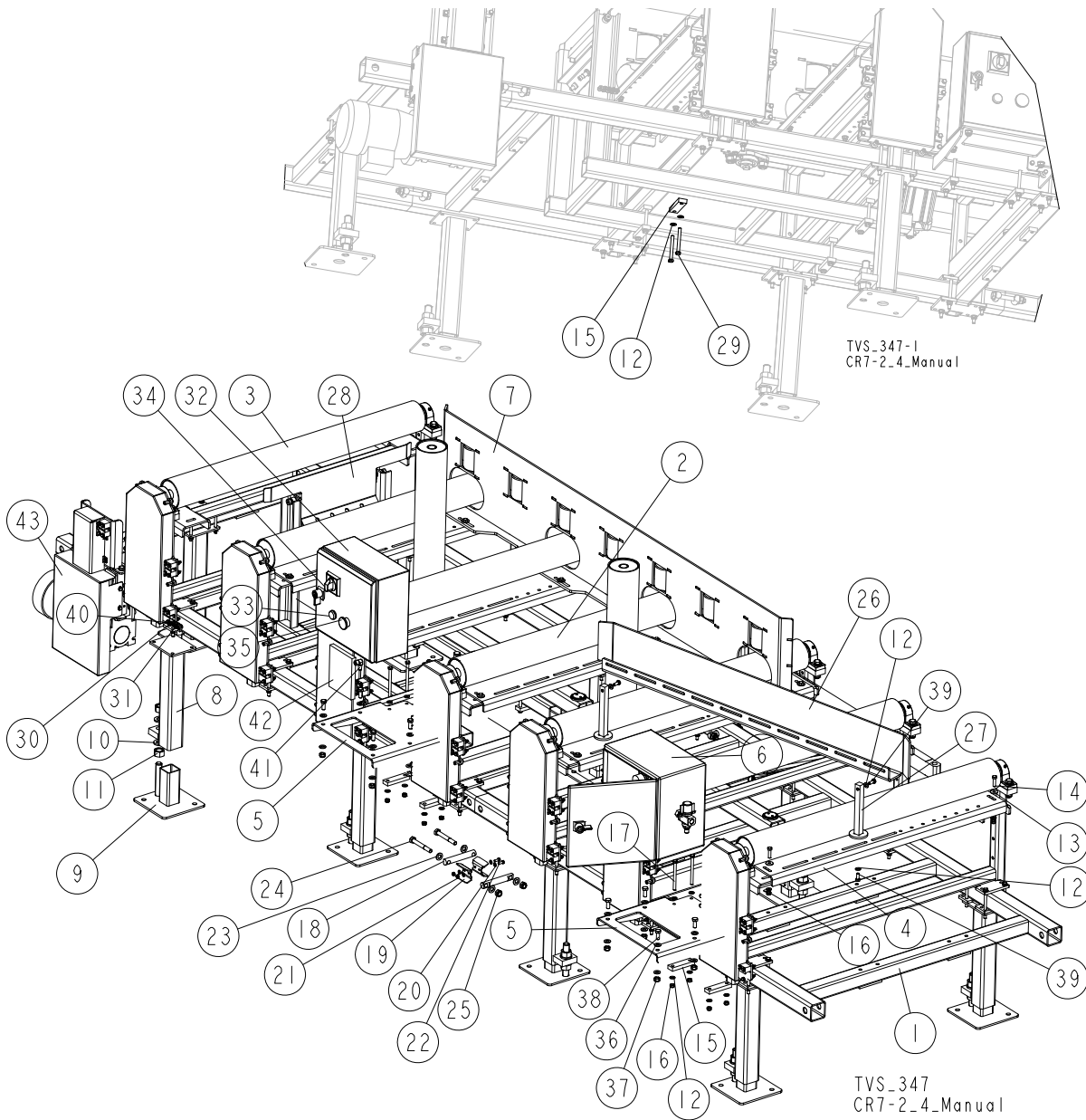
6.11 Air Box



REF	DESCRIPTION (◆ indicates parts available in assemblies only)	PART #	QTY
	BOX, AIR - COMPLETE	510445	1
1	BOX, AIR	510444	1
	PLATE ASSEMBLY, AIR BOX MOUNTING	511655	1
2	PLATE, MOUNTING	511654	1
3	BRACKET, ARP30P-270AS MOUNTING	511650	1
4	BLOCK, SOLENOID VALVE MOUNT	511652	1
5	BLOCK, SOLENOID VALVE MOUNT	511653	1
6	WASHER, 5.3 FLAT ZINC	F81052-1	4
7	NUT, M5-8 SELF-LOCKING ZINC	F81030-2	2
8	BRACKET, SOLENOID VALVE MOUNTING	511651	1
9	BOLT, M3X12-8.8 ZINC	F81000-12	2
10	BOLT, M5X12 8.8 HEX HEAD FULL THREAD ZIN	F81000-5	2
11	WASHER, 6.4 FLAT ZINC	F81053-1	4
12	BOLT, M6x20-8.8 HEX HEAD FULL THREAD ZINC	F81001-2	4
13	VALVE, SOLENOID (SMC SY5120-5Y-01F0Q)	510976	1
14	REGULATOR, AW30-F03H-A FILTER	510974	1
15	VALVE, SOLENOID (SMC SY9120-5Y-01F0Q)	510977	1
16	FITTING, BULKHEAD (SMC KQ2E10-02)	510978	1
17	SILENCER, W/THREAD (SMC AN20-02-AN)	510980	2
18	FITTING, TEE (SMC KQ2T10-08A)	510981	1

19	SILENCER, AN10-01 (SMC)	510983	2	
20	FITTING, STRAIGHT MALE (SMC KQ2H10-02)	510984	1	
21	FITTING, MALE ELBOW (SMC KQ2L10-02)	510985	1	
22	FITTING, BULKHEAD (SMC KQ2E10-00)	510986	2	
23	FITTING, BULKHEAD (SMC KQ2E08-00)	510987	2	
24	CABLE, BCC VC04-0000-10-053-PX0350-020	510614	2	
25	WASHER, 4.3 FLAT ZINC	F81051-2	2	
26	SCREW, M4x35-8.8 HEX SOCKET HEAD CAP ZINC	F81011-34	2	
27	FITTING, STRAIGHT MALE (SMC KQ2S08-01S)	511661	3	
28	FITTING, STRAIGHT MALE (SMC KQ2H10-02)	510984	1	
29	FITTING, 3/8"-1/4	511667	1	
30	VALVE, SMC VXS30-F03 MANUAL SHUT-OFF	510979	1	
31	GLAND, DP 9/H CABLE	F81096-2	2	
32	GAUGE, G36-10-01 (1/8") PRESSURE	510069	1	
33	SILENCER - AN15-02 (1/4")	510073	1	
34	FITTING, TEE	511069	2	
35	HOSE, POLYURETHANE	511071	1	

6.12 CR5 Roller Conveyor w/Side Positioning System

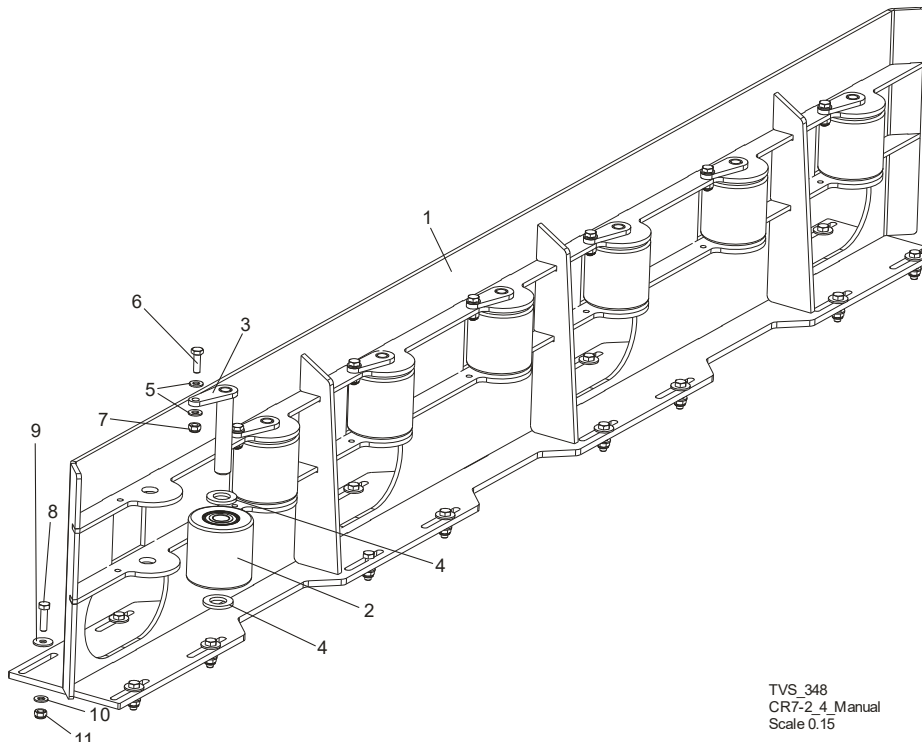


REF	DESCRIPTION (◆ indicates parts available in assemblies only)	PART #	QTY
	ROLLER CONVEYOR W/SIDE POSITIONING SYSTEM	CR5-1.8	1/0
	ROLLER CONVEYOR W/SIDE POSITIONING SYSTEM	CR5-3.6	0/1
1	FRAME WELDMENT, ROLLER CONVEYOR	507898-1	1/2
2	SIDE POSITIONING SYSTEM - COMPLETE See Section 6.54	508491	2/2
3	MEDIUM ROLLER ASSEMBLY(1M) See Section 6.51	507896	2/5
4	BRACKET, GUIDE FENCE MOUNT	508872-1	4/6
5	PLATE, ELECTRIC BOX MOUNT	510592-1	2/2
6	BOX, AIR - COMPLETE See Section 6.11	510445	1/1
7	SIDE ROLLER ASSEMBLY See Section 6.13	510593	1/1
	COMPLETE SHORT LEG	506018	4/8
8	LEG WELDMENT, SHORT	506017-1	1
9	FOOT, LES TABLE LEG	099281-1	1
10	WASHER, 21 FLAT ZINC	F81059-2	2

11	NUT, M20-8- HEX ZINC	F81037-1	2	
12	WASHER, 8.4 FLAT ZINC	F81054-1	40/72	
13	WASHER, .8,5 FE/ZN5 PN-59/M-82030	F81054-11	24/47	
14	BOLT, M8X30-5.8-B HEX HEAD FULL THREAD Z	F81002-2	25/38	
15	BAR, REAR MOUNT	506186-1	8/8	
16	NUT, M8-8-B HEX NYLON ZINC LOCK	F81032-2	24/44	
17	BOLT, M8x100-8.8 HEX HEAD ZINC	F81002-23	8/8	
18	PIN, SEGMENT CONNECTION	508366-1	0/4	
	PLATE ASSEMBLY, SEGMENT CONNECTION SEE S	508365	0/2	
19	PLATE, SEGMENT CONNECTION	508364-1	2	
20	WASHER, 6.4 FLAT ZINC	F81053-1	4	
21	NUT, M6-8-B HEX NYLON ZINC LOCK	F81031-2	2	
22	BOLT, M6x16 8.8 HEX HEAD FULL THREAD ZINC	F81001-15	2	
23	WASHER, 13 FLAT ZINC	F81056-1	0/8	
24	BOLT, M12X95 8.8 HEX HEAD ZINC	F81004-29	0/4	
25	NUT, M12 8 HEX NYLON ZINC LOCK	F81034-2	0/4	
26	PLATE, GUIDE FENCE	508723-1	0/1	
27	BAR WELDMENT, GUIDE PLATE MOUNT	508737-1	0/2	
28	ACTIVATOR PLATE ASSEMBLY See Section 6.52	506320	1/1	
29	BOLT, M8X75-8.8 HEX HEAD ZINC	F81002-91	8/8	
30	CHAIN, 08B-1 395-LINK (5.0M)	510164	0/1	
31	CHAIN, 08B-1 529-LINK (6.72M)	510165	1/1	
32	BOX, CENTRING TABLE ELECTRIC	507256 ¹	1/1	
33	LIGHT, M22 WHITE-LED 24V CONTROL	090448	1	
34	HANDLE, OHB S2A1 ABB SWITCH	502312-1	1	
35	BUTTON, EMERGENCY STOP	502315	1	
36	WASHER, 10.5 FLAT ZINC	F81055-1	0/16	
37	NUT, M10-8-B HEX NYLON ZINC LOCK	F81033-1	0/8	
38	BOLT, M10X25-8.8-FE/ZN5	F81003-11	8/8	
39	BOLT, M8x20-8.8-B HEX HEAD FULL THREAD ZINC	F81002-4	0/4	
40	LINK, 08B-1PZ MASTER	091625	1/2	
41	CABLE, BCC M425-0000-1A-003-VX8434-050	087652	1/2	
42	MOTOR SPEED CONTROLLER, ATV31HU11N4	093488	1/1	
43	EXTENSION DRIVE MODULE See Section 6.3	515277	1/1	
	CABLE, BCC VC04-0000-10-053-PX0350-020	510614	1/0	

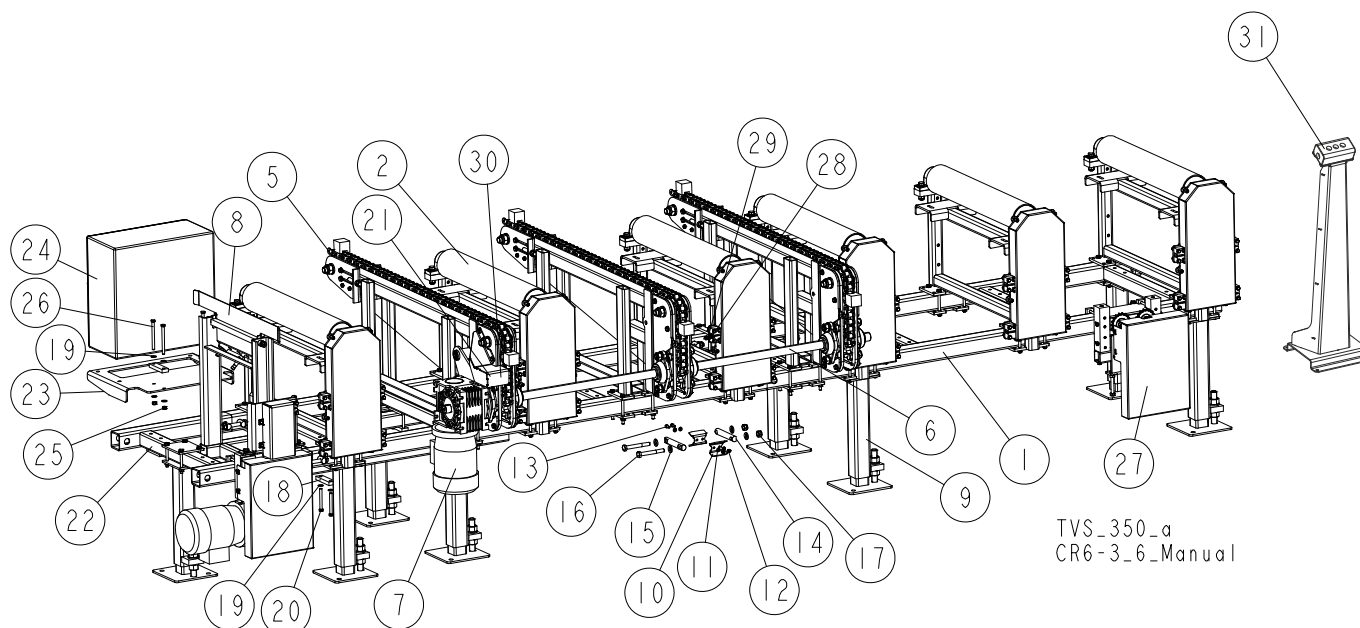
¹ See the Electrical Components List for detailed information.

6.13 Side Rollers



REF	DESCRIPTION (◆ indicates parts available in assemblies only)	PART #	QTY
	SIDE ROLLER ASSEMBLY	510593	1
1	MOUNT WELDMENT, SIDE ROLLER ZINC-PLATED	510148-1	1
2	ROLLER, R-80-80 SIDE	099429	7
3	PIN, ROLLER - COMPLETE	508876-1	7
4	WASHER, 21 FLAT ZINC	F81059-2	14
5	WASHER, 8.4 FLAT ZINC	F81054-1	14
6	BOLT, M8x25-8.8-B HEX HEAD FULL THREAD ZINC	F81002-5	7
7	NUT, M8-8-B HEX NYLON ZINC LOCK	F81032-2	7
8	BOLT, M8X30-5.8-B HEX HEAD FULL THREAD Z	F81002-2	16
9	WASHER, .8,5 FE/ZN5 PN-59/M-82030	F81054-11	16
10	WASHER, 8.4 FLAT ZINC	F81054-1	16
11	NUT, M8-8-B HEX NYLON ZINC LOCK	F81032-2	16

6.14 CR6 Roller Conveyor w/Side Movement Device

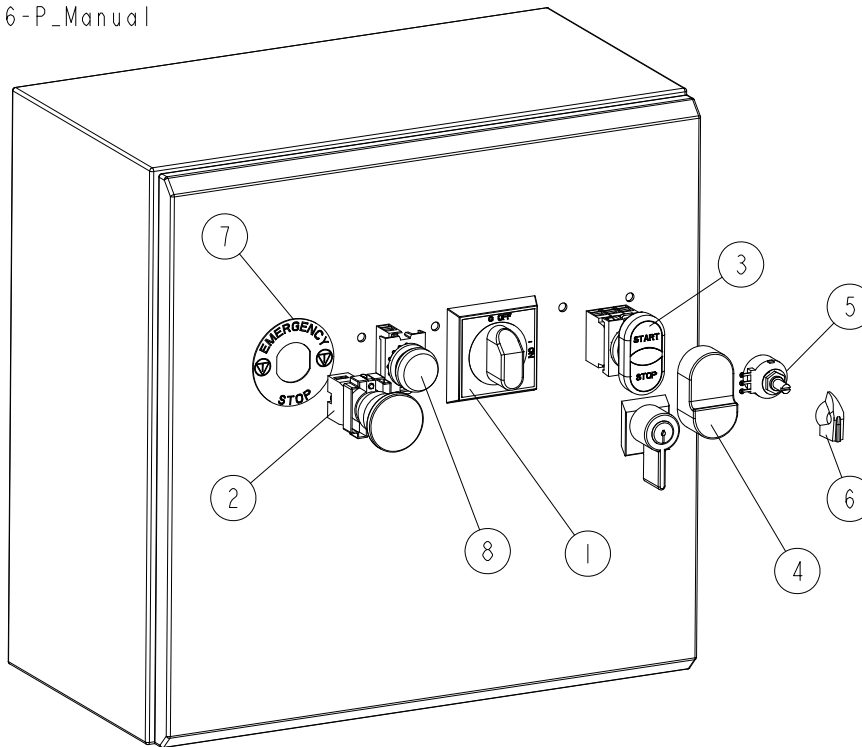


REF	DESCRIPTION (◆ indicates parts available in assemblies only)	PART #	QTY
	ROLLER CONVEYOR W/SIDE MOVEMENT DEVICE - COMPLETE	CR6-1_8	1/0
	ROLLER CONVEYOR W/SIDE MOVEMENT DEVICE (W/SEPARATE CONTROL BOX)	CR6-1_8-P	1/0
	ROLLER CONVEYOR W/SIDE MOVEMENT DEVICE (W/SEPARATE CONTROL BOX)	CR6-3_6-P	0/1
-	ROLLER CONVEYOR W/SIDE MOVEMENT DEVICE	CR6-3_6	2
1	FRAME WELDMENT, ROLLER CONVEYOR	506014-1	3
2	ROLLER ASSEMBLY, MIDDLE TABLE	506031	3
3	BOLT, M6X40-8.8 HEX HEAD FULL THREAD ZINC	F81001-5	4
4	BOLT, M8X90-8.8 HEX HEAD FULL THREAD ZINC	F81002-16	4
5	SIDE MOVEMENT DEVICE	506027	3
6	SHAFT, SIDE MOVEMENT DEVICE DRIVE ZINC-PL.	508377-1	3
7	CHAIN DRIVE ASSEMBLY	508619	3
8	ACTIVATOR PLATE ASSEMBLY See Section 6.52	506320	3
9	COMPLETE SHORT LEG	506018	3
-	PLATE ASSEMBLY, SEGMENT CONNECTION SEE S	508365	3
10	PLATE, SEGMENT CONNECTION	508364-1	4
11	WASHER, 6.4 FLAT ZINC	F81053-1	4
12	NUT, M6-8-B HEX NYLON ZINC LOCK	F81031-2	4
13	BOLT, M6X16 8.8 HEX HEAD FULL THREAD ZIN	F81001-15	4
14	PIN, SEGMENT CONNECTION	508366-1	3
15	WASHER, 13 FLAT ZINC	F81056-1	3
16	BOLT, M12X95 8.8 HEX HEAD ZINC	F81004-29	3
17	NUT, M12 8 HEX NYLON ZINC LOCK	F81034-2	3
18	BAR, REAR MOUNT	506186-1	3
19	WASHER, 8.4 FLAT ZINC	F81054-1	3
20	BOLT, M8X75-8.8 HEX HEAD ZINC	F81002-91	3
21	SENSOR, BES M12MG-PSC80F-S04G INDUCTIVE PROXIMITY	093168	3
22	EXTENSION DRIVE MODULE, CR 1	514007	3

REF	DESCRIPTION (◆ indicates parts available in assemblies only)	PART #	QTY	
23	PLATE, ELECTRICAL BOX MOUNT	508607-1	3	
24	BOX, AC 4KW ELECTRIC	507254	3	
25	NUT, M8-8-B HEX NYLON ZINC LOCK	F81032-2	3	
26	BOLT, M8X100-8.8 HEX HEAD ZINC	F81002-23	3	
27	CHAIN TENSIONER ASSEMBLY See Section 6.53	515276	3	
28	CHAIN, 08B-1 529-LINK (6.72M)	510165	3	
29	LINK, 08B-1PZ MASTER	091625	3	
30	GUARD, CR6 SENSOR	531166-1	3	
31	BOX, CR6-P CONTROL	536925	1	

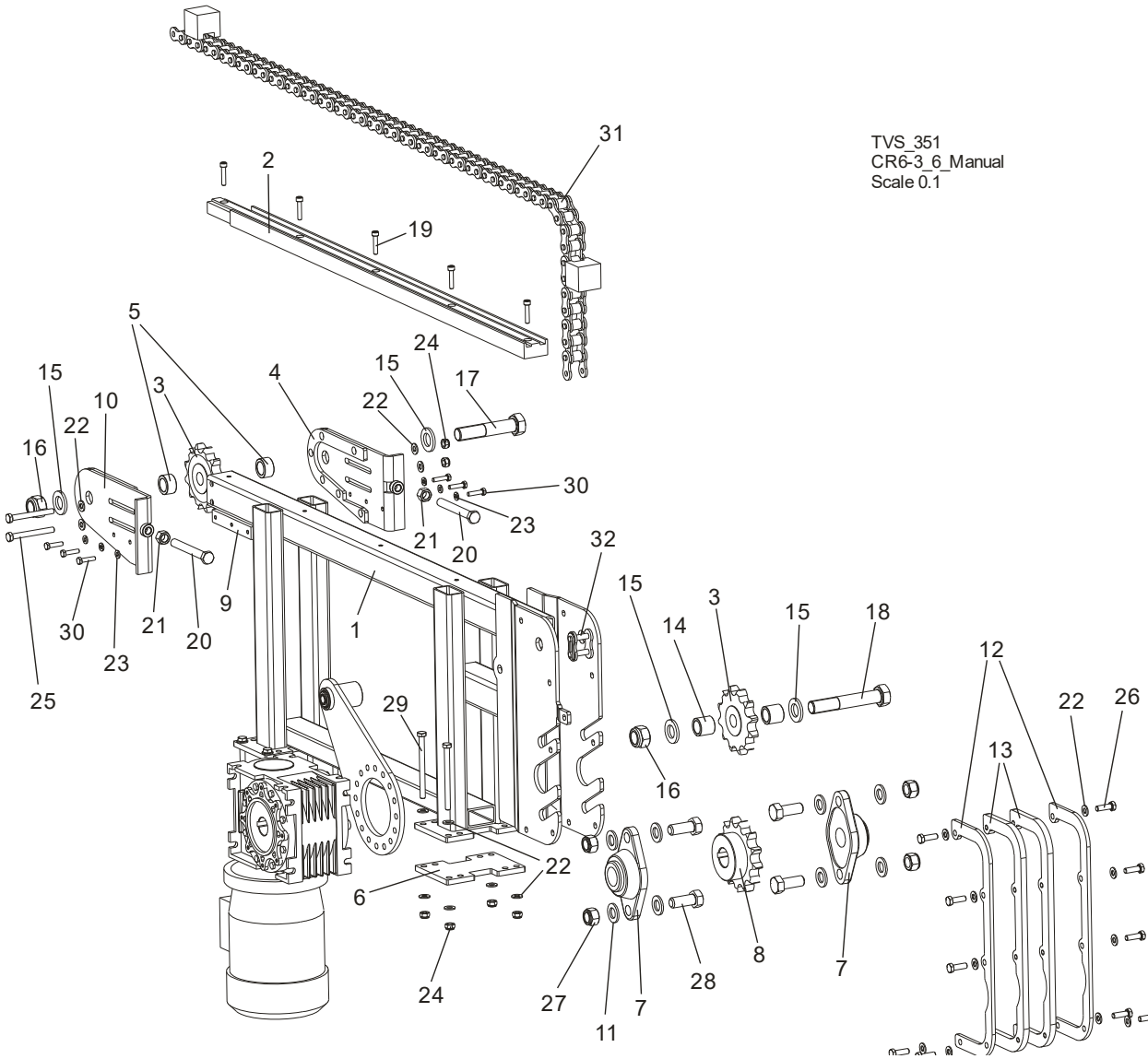
6.15 Electric Box, CR6-P

TVS_394
 CR6-3_6-P_Manual



REF	DESCRIPTION (◆ indicates parts available in assemblies only)	PART #	QTY
	BOX, CR6-P ELECTRIC	514731	1
1	HANDLE, OHB S2A1 ABB SWITCH	502312-1	1
2	BUTTON, EMERGENCY STOP	502315	1
3	BUTTON, 24V START/STOP	090452	1
4	DIAPHRAGM, M22-T-DD MOELLER	090462	1
5	POTENTIOMETER, 5K 53C35K	504389	1
6	KNOB, SPEED CONTROL	P06257	1
7	WASHER, EMERGENCY STOP SWITCH	086561	1
8	LIGHT, 1SFA619402L5415 WHITE CONTROL	509129	1

6.16 Side Movement Device



REF	DESCRIPTION (◆ indicates parts available in assemblies only)	PART #	QTY
	SIDE MOVEMENT DEVICE	506027	1
1	FRAME WELDMENT, SIDE MOVEMENT DEVICE	506026-1	1
2	CHANNEL, 1"X17 PXTS 1001008 CHAIN GUIDE	506013-1	1
3	SPROCKET, KSR20-LO-16-10-12-15	099746	2
4	PLATE WELDMENT, CHAIN TENSIONER	510613-1	1
5	BUSHING, 20.5/30-16 ZINC-PLATED	505971-1	2
6	PLATE, MOUNTING	506028-1	2
7	BEARING, UCFL 206 CX W/HOUSING	090851	2
8	SPROCKET, 13Z16BN30 T44023+T31091	505992	1
9	BAR, TENSIONER PLATE SPACER	506602-1	1
10	PLATE WELDMENT, CHAIN TENSIONER - LEFT	507946-1	1
11	WASHER, 17 FLAT ZINC	F81058-1	8
12	PLATE, SIDE PROTECTIVE	507949-1	2
13	PLATE, SIDE PROTECTIVE	507950-1	2
14	SPACER, LT15 DRIVE BEARING	094156-1	2

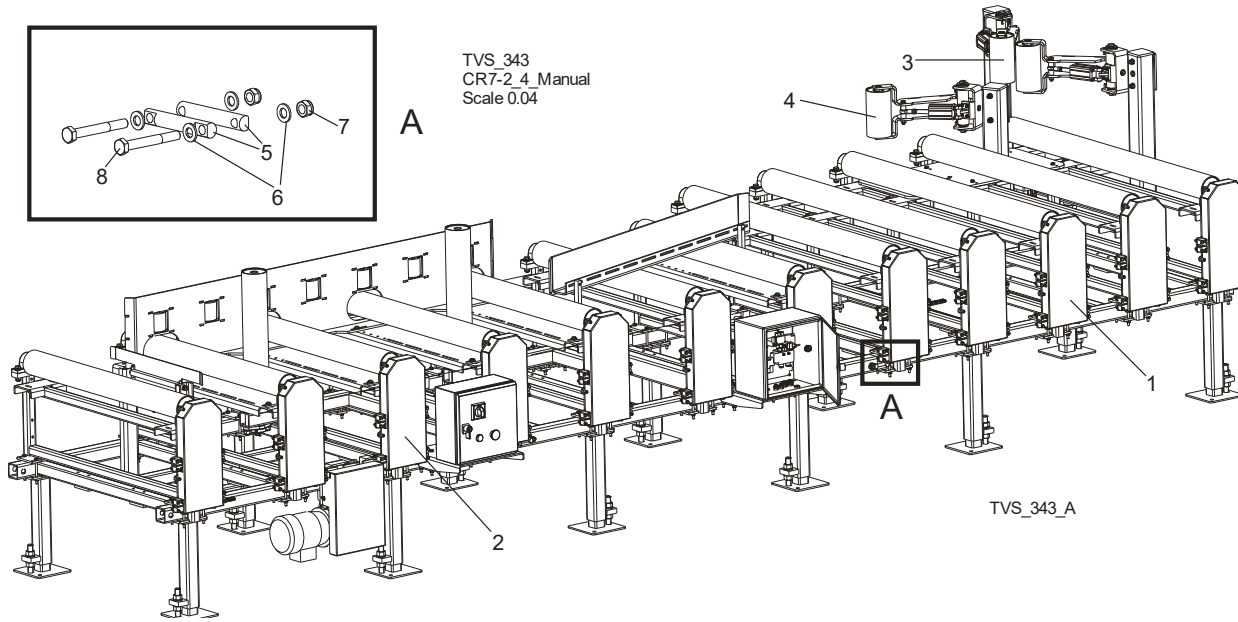
6

Roller Conveyors

Side Movement Device

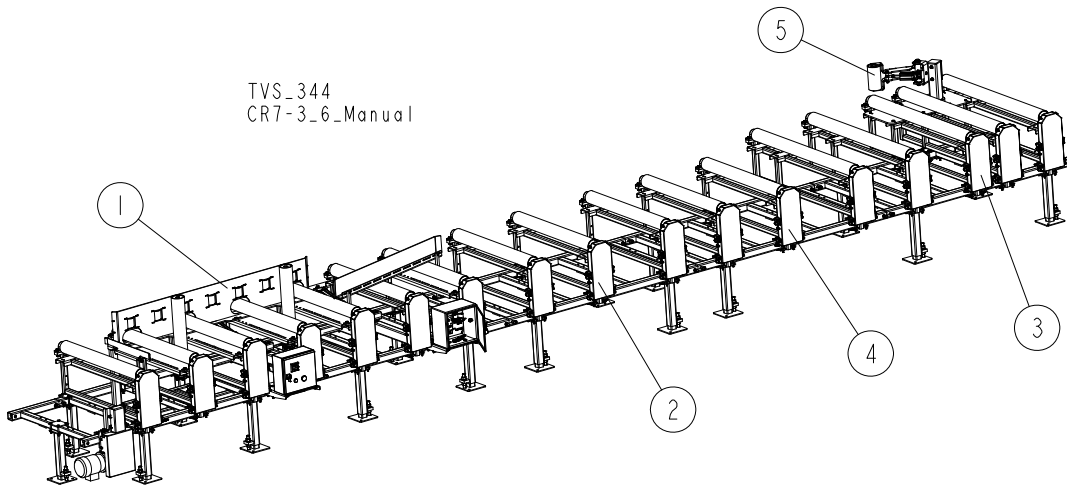
15	WASHER, 21 FLAT ZINC	F81059-2	4	
16	NUT, M20-8 HEX	F81037-2	2	
17	BOLT, M20X100-8.8 HEX HEAD ZINC	F81007-6	1	
18	BOLT, M20X120-8.8 HEX HEAD ZINC	F81007-14	1	
19	SCREW, M6x30-8.8 HEX SOCKET HEAD CAP ZINC	F81001-42	5	
20	BOLT, M12X100 8.8 HEX HEAD FULL THREAD ZINC	F81004-45	2	
21	NUT, M12-8 HEX ZINC	F81034-1	2	
22	WASHER, 8.4 FLAT ZINC	F81054-1	30	
23	WASHER, 6.4 FLAT ZINC	F81053-1	6	
24	NUT, M8-8-B HEX NYLON ZINC LOCK	F81032-2	10	
25	BOLT, M8X75-8.8 HEX HEAD ZINC	F81002-91	2	
26	BOLT, M8x25-8.8-B HEX HEAD FULL THREAD ZINC	F81002-5	10	
27	NUT, M16-8 HEX NYLON ZINC LOCK	F81036-2	4	
28	BOLT, M16x40-8.8 HEX HEAD FULL THREAD ZINC	F81006-13	4	
29	BOLT, M8x100-8.8 HEX HEAD ZINC	F81002-23	8	
30	BOLT, M6X25-8.8 HEX HEAD FULL THREAD ZIN	F81001-3	6	
31	CHAIN, CR6 W/DOGS	511688	1	
32	LINK, 16B MASTER	511686	1	

6.17 Roller Conveyor Kit, CR7-2_4



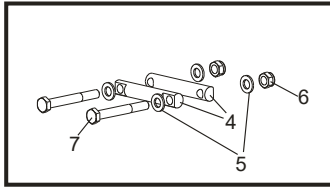
REF	DESCRIPTION (◆ indicates parts available in assemblies only)	PART #	QTY
	ROLLER CONVEYOR KIT - SLP2 1.2-2.4	CR7-2_4	1
	ROLLER CONVEYOR KIT - 1.2-2.4 LONG LOG	511150	1
1	ROLLER CONVEYOR - ADDITIONAL (L=1300) See Section 6.2	CR3-1_8ER	1
2	ROLLER CONVEYOR W/SIDE POSITIONING SYSTEM See Section 6.12	CR5-3_6	1
3	GUIDE ROLLER ASSEMBLY (FOR 1.2/1.8 LONG See Section 6.23)	511141	1
4	SINGLE GUIDE ROLLER ASSEMBLY See Section 6.22	510680	1
5	PIN, SEGMENT CONNECTION	508366-1	4
6	WASHER, 13 FLAT ZINC	F81056-1	8
7	NUT, M12 8 HEX NYLON ZINC LOCK	F81034-2	4
8	BOLT, M12X95 8.8 HEX HEAD ZINC	F81004-29	4

6.18 Roller Conveyor Kit, CR7-3_6



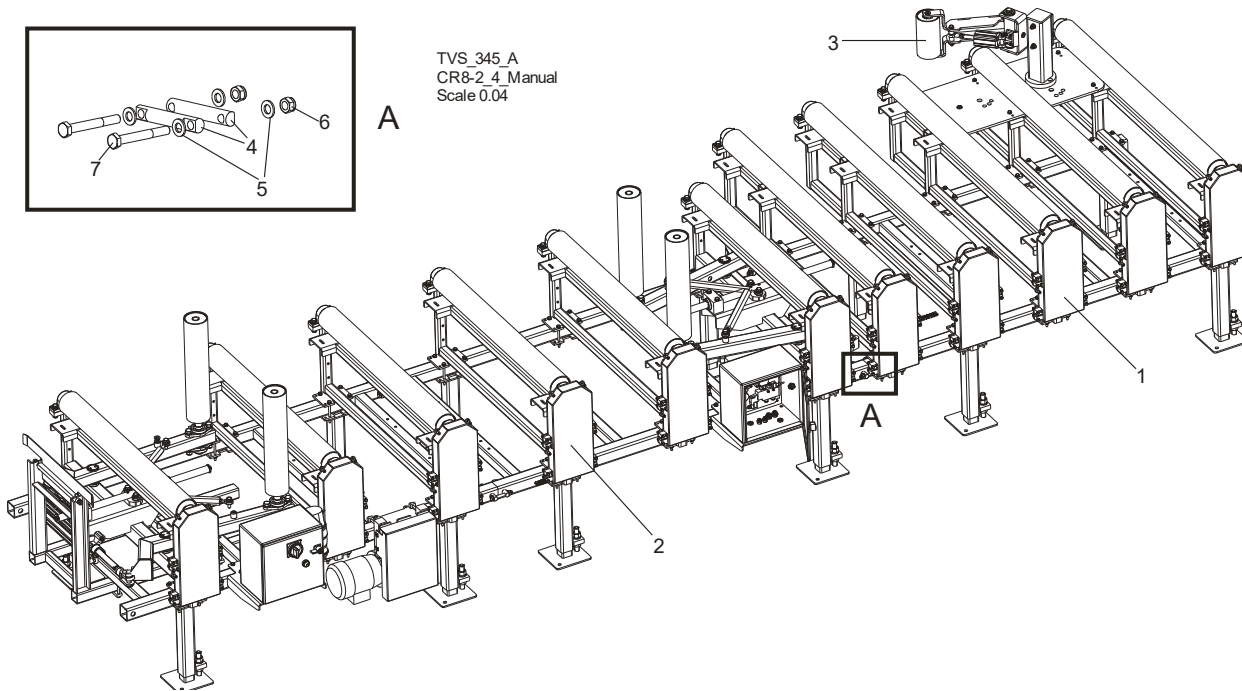
REF	DESCRIPTION (◆ indicates parts available in assemblies only)	PART #	QTY
	SLP2 ROLLER CONVEYOR KIT (3.6)	CR7-3_6	1
1	ROLLER CONVEYOR W/SIDE POSITIONING SYSTEM See Section 6.12	CR5-3_6	1
2	CONVEYOR - EXTENSION MODULE (L=1000) SEE See Section 6.5	CR2-EXT	1
3	CONVEYOR - EXTENSION MODULE (L=1300) SEE See Section 6.5	CR3-EXT	1
4	ROLLER CONVEYOR (L=1300/1000) See Section 6.21	511395	1
5	SINGLE GUIDE ROLLER ASSEMBLY See Section 6.22	510680	1

6.19 Roller Conveyor Kit, CR8-2_4



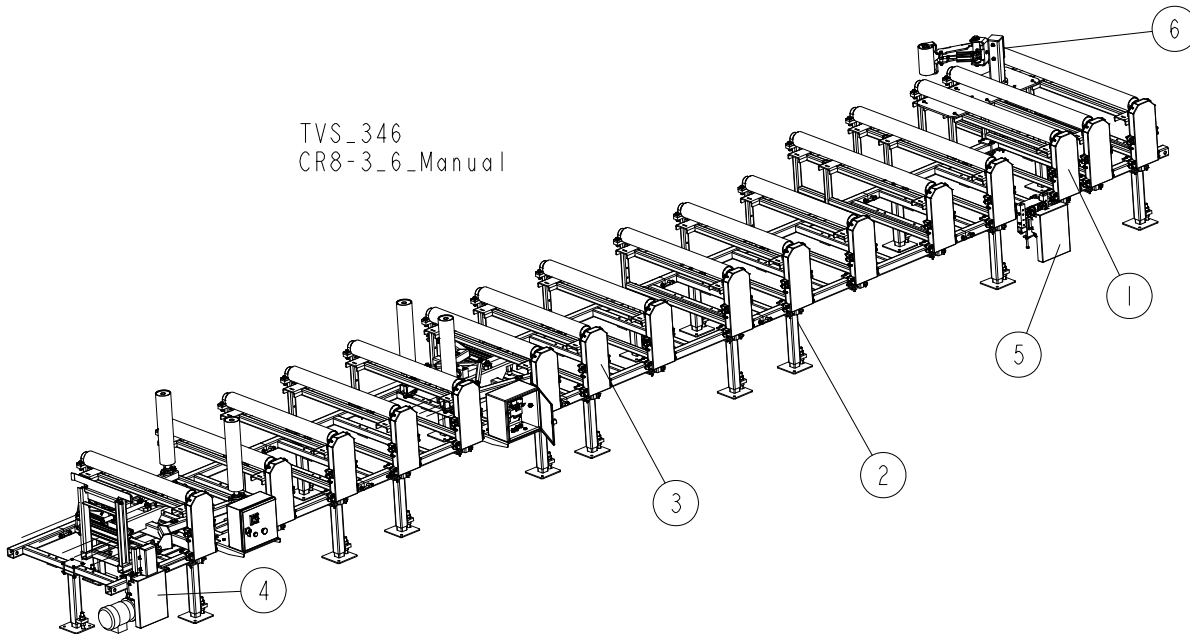
TVS 345_A
CR8-2_4_Manual
Scale 0.04

A



REF	DESCRIPTION (◆ indicates parts available in assemblies only)	PART #	QTY
	ROLLER CONVEYOR KIT - SLP1 1.2-2.4	CR8-2_4	1
	ROLLER CONVEYOR KIT - 1.2-2.4 LONG LOG	511147	1
1	ROLLER CONVEYOR - ADDITIONAL (L=1300) See Section 6.2	CR3-1_8ER	1
2	CENTRING TABLE See Section 6.9	CR4-3_6	1
3	SINGLE GUIDE ROLLER ASSEMBLY See Section 6.22	510680	1
4	PIN, SEGMENT CONNECTION	508366-1	4
5	WASHER, 13 FLAT ZINC	F81056-1	8
6	NUT, M12 8 HEX NYLON ZINC LOCK	F81034-2	4
7	BOLT, M12X95 8.8 HEX HEAD ZINC	F81004-29	4

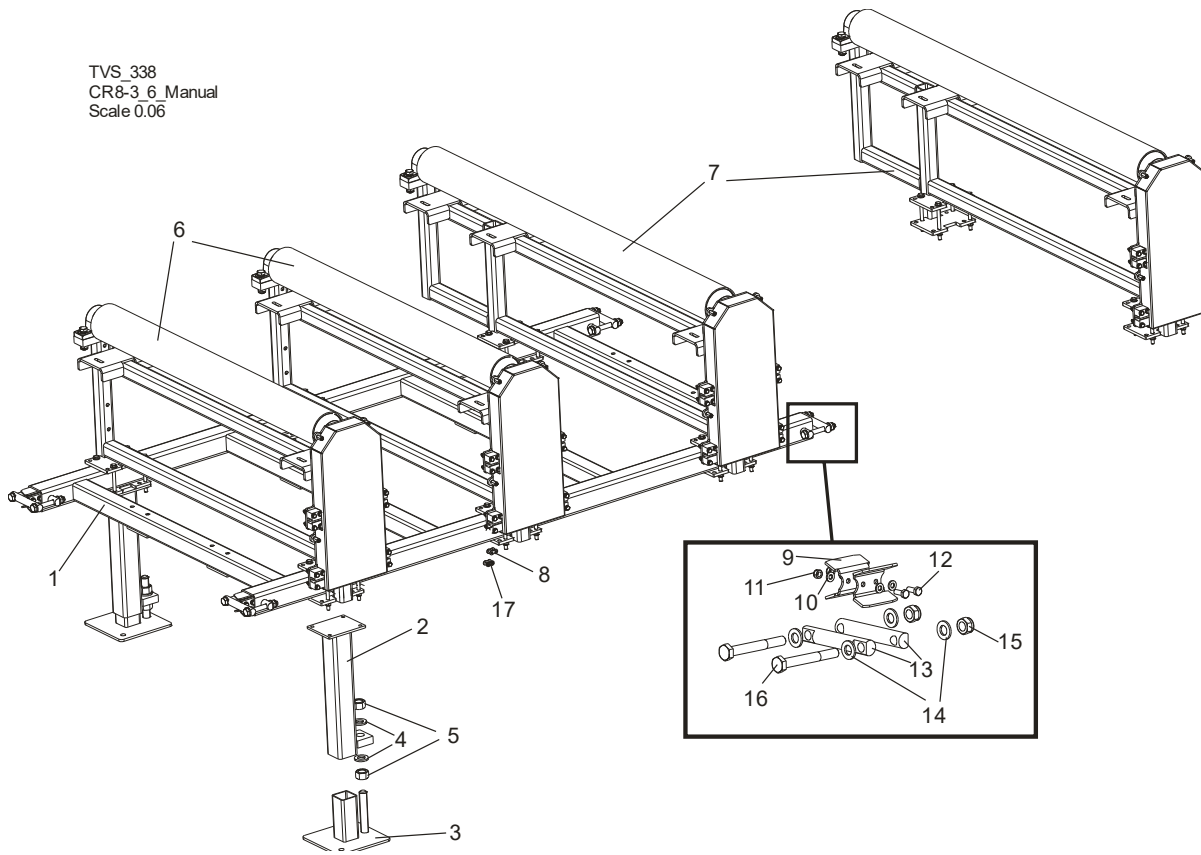
6.20 Roller Conveyor Kit, CR8-3_6



REF	DESCRIPTION (◆ indicates parts available in assemblies only)	PART #	QTY
	SLP1 ROLLER CONVEYOR KIT (3.6)	CR8-3_6	1
1	CONVEYOR - EXTENSION MODULE (L=1300) SEE See Section 6.5	CR3-EXT	1
2	ROLLER CONVEYOR (L=1300/1000) See Section 6.21	511395	1
3	CONVEYOR - EXTENSION MODULE (L=1000) SEE See Section 6.5	CR2-EXT	1
4	CENTRING TABLE See Section 6.9	CR4-3_6	1
5	SINGLE GUIDE ROLLER ASSEMBLY See Section 6.22	510680	1
6	CHAIN TENSIONER ASSEMBLY See Section 6.53	515276	1

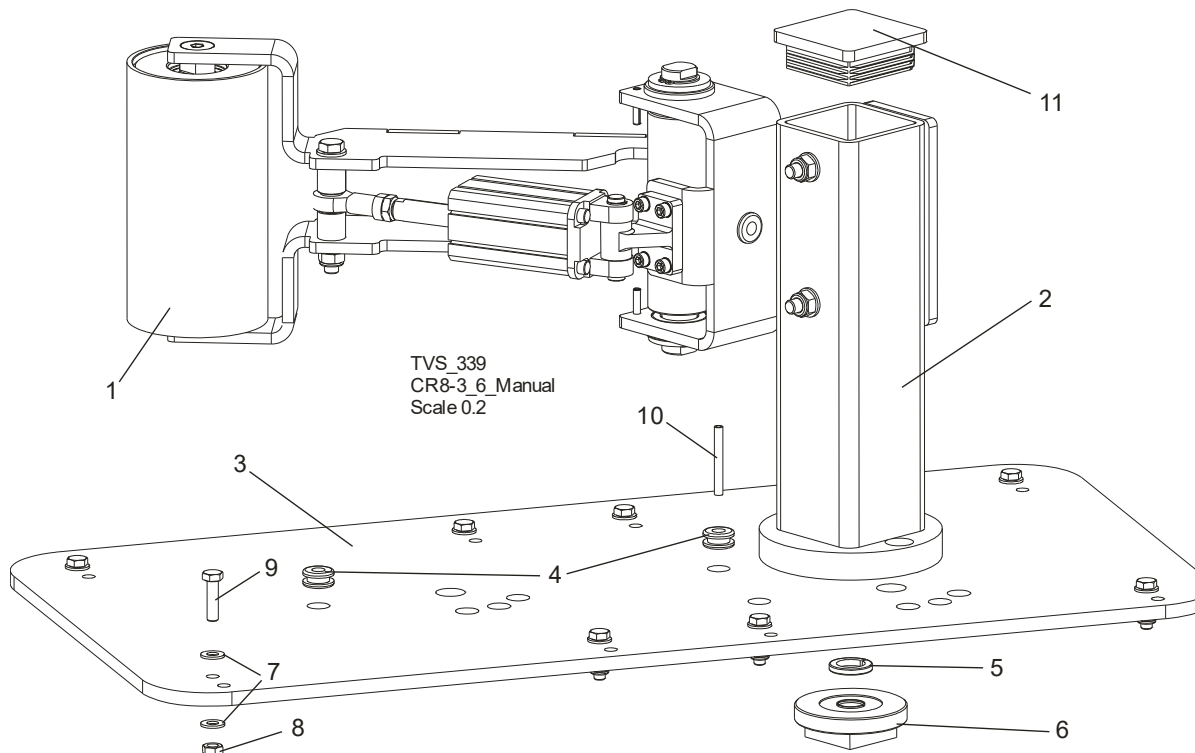
6.21 Roller Conveyor, 1300/1000

TVS_338
 CR8-3_6_Manual
 Scale 0.06



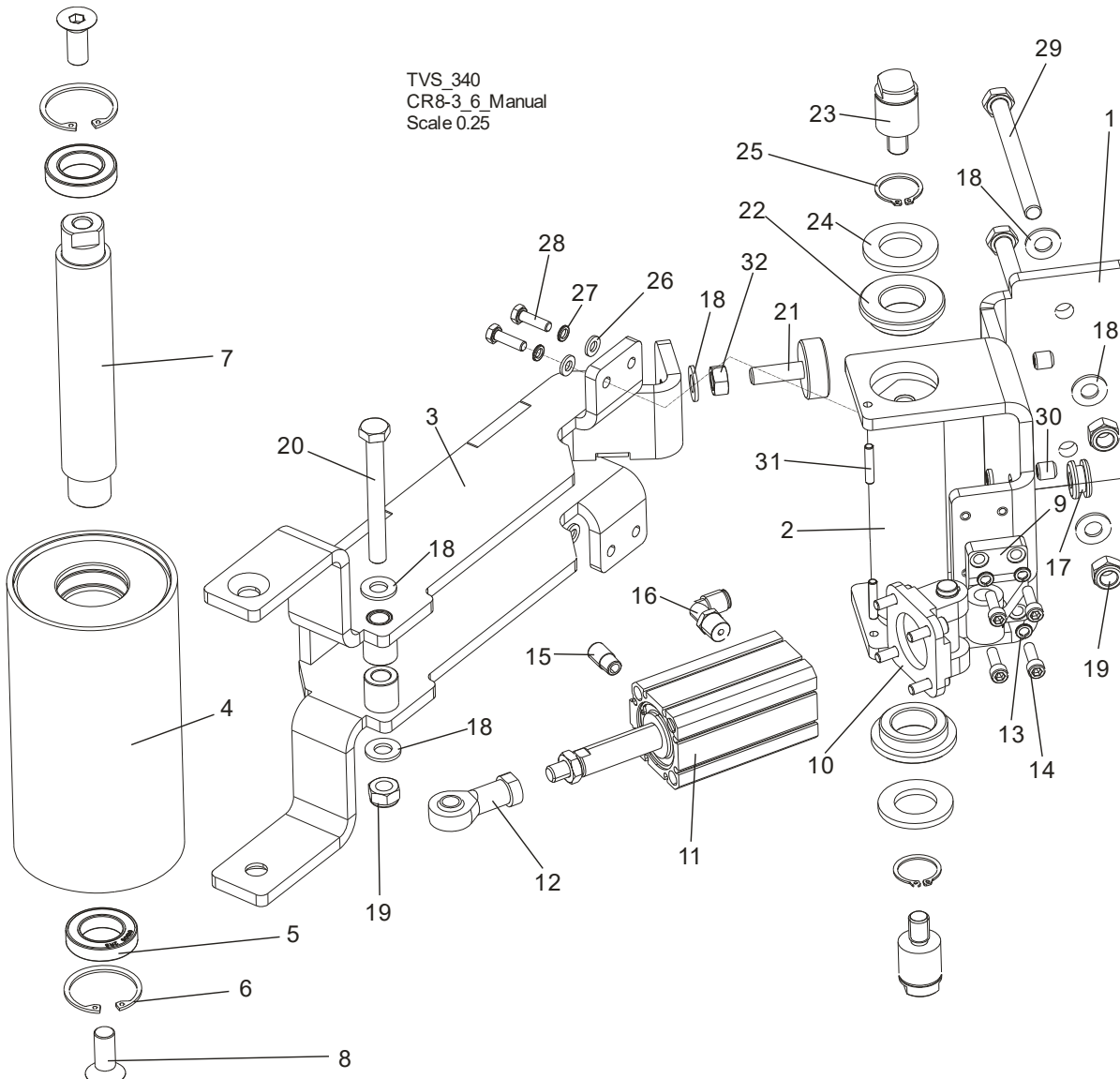
REF	DESCRIPTION (◆ indicates parts available in assemblies only)	PART #	QTY
	ROLLER CONVEYOR (L=1300/1000)	511395	1
1	FRAME WELDMENT, ROLLER CONVEYOR	507898-1	1
	COMPLETE SHORT LEG	506018	2
2	LEG WELDMENT, SHORT	506017-1	1
3	FOOT, LES TABLE LEG	099281-1	1
4	WASHER, 21 FLAT ZINC	F81059-2	2
5	NUT, M20-8- HEX ZINC	F81037-1	2
6	MEDIUM ROLLER ASSEMBLY(1M) See Section 6.51	507896	2
7	WIDE ROLLER ASSEMBLY See Section 6.8	509424	2
8	CHAIN, 08B-1 395-LINK (5.0M)	510164	1
	PLATE ASSEMBLY, SEGMENT CONNECTION SEE S	508365	2
9	PLATE, SEGMENT CONNECTION	508364-1	2
10	WASHER, 6.4 FLAT ZINC	F81053-1	4
11	NUT, M6-8-B HEX NYLON ZINC LOCK	F81031-2	2
12	BOLT, M6x16 8.8 HEX HEAD FULL THREAD ZINC	F81001-15	2
13	PIN, SEGMENT CONNECTION	508366-1	8
14	WASHER, 13 FLAT ZINC	F81056-1	16
15	NUT, M12 8 HEX NYLON ZINC LOCK	F81034-2	8
16	BOLT, M12X95 8.8 HEX HEAD ZINC	F81004-29	8
17	LINK, 08B-1PZ CHAIN	090712	1

6.22 Single Guide Roller Assembly



REF	DESCRIPTION (◆ indicates parts available in assemblies only)	PART #	QTY
	SINGLE GUIDE ROLLER ASSEMBLY	510680	1
1	ROLLER, TVS SC COMPLETE GUIDE See Section 6.23	510660	1
2	TUBE WELDMENT, GUIDE ROLLER MOUNT	510685-1	1
3	PLATE, TVS SC MOUNTING	510687-1	1
4	GROMMET, RUBBER 3/8 ID	025248	2
5	WASHER, 20.5 SPLIT LOCK ZINC	F81059-1	1
6	NUT, M20 TVS SC ZINC-PLATED	510688-1	1
7	WASHER, 8.4 FLAT ZINC	F81054-1	16
8	NUT, M8-8-B HEX NYLON ZINC LOCK	F81032-2	8
9	BOLT, M8x30-8.8-B HEX HEAD FULL THREAD ZINC	F81002-7	8
10	HOSE, 6mm POLYURETHANE	R80588-7	1
11	CAP, 80X80 GR 2-4 #111227 TUBE END	089644	1

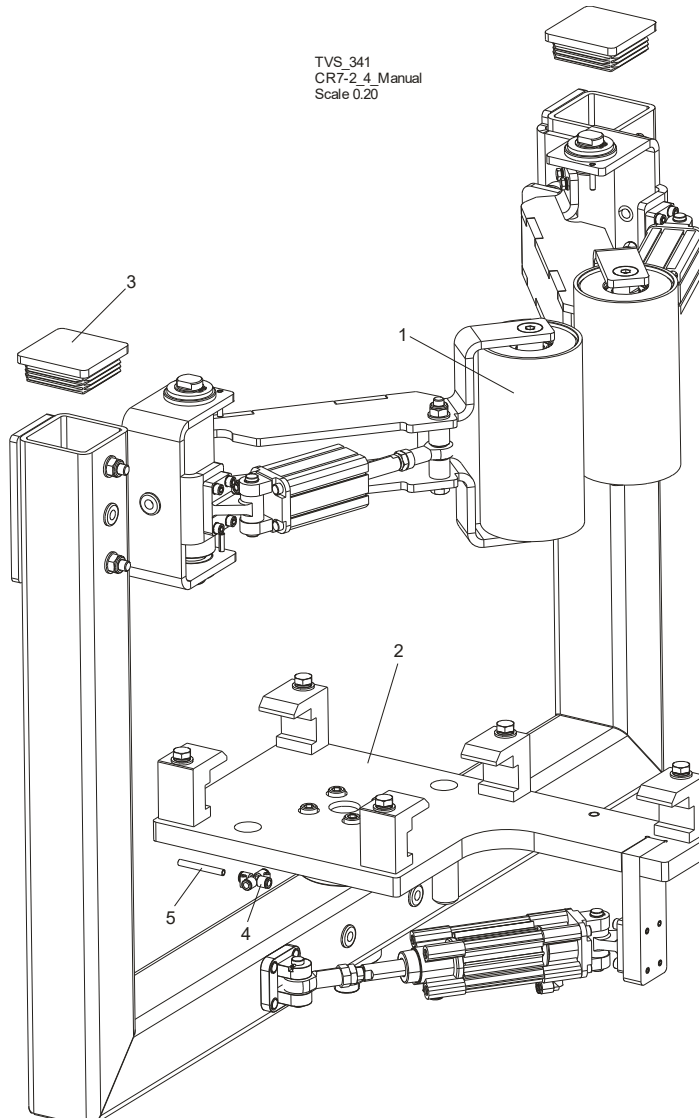
6.23 Guide Roller, TVS



REF	DESCRIPTION (◆ indicates parts available in assemblies only)	PART #	QTY
	ROLLER, TVS SC COMPLETE GUIDE	510660	1
1	BRACKET, TVS SC ROLLER MOUNT	510659-1	1
2	PIVOT, GUIDE ROLLER ARM ZINC-PLATED	508182-1	1
3	ARM, TVS SC GUIDE ROLLER	510661-1	2
	ROLLER, TVS SC COMPLETE	510655	1
4	GUIDE ROLLER WELDMENT	510653-1	1
5	BEARING, 61905 2RS CX	099037	2
6	RING, W042 INSIDE RETAINING	F81090-19	2
7	PIVOT, TVS SC GUIDE ROLLER	510656-1	1
8	SCREW, M12X30-10.9 FLAT SOCKET HEAD CAP	F81004-18	2
	CYLINDER, TVS SC SIDE AIR - COMPLETE	510380	1
9	CLEVIS, E5040 (F)	510375	1
10	CLEVIS, D5040 (F) STANDARD DOUBLE	510374	1
11	CYLINDER, CD55B40-50M AIR	510379	1
12	JOINT, KJIOD SINGLE KNUCKLE	510378	1

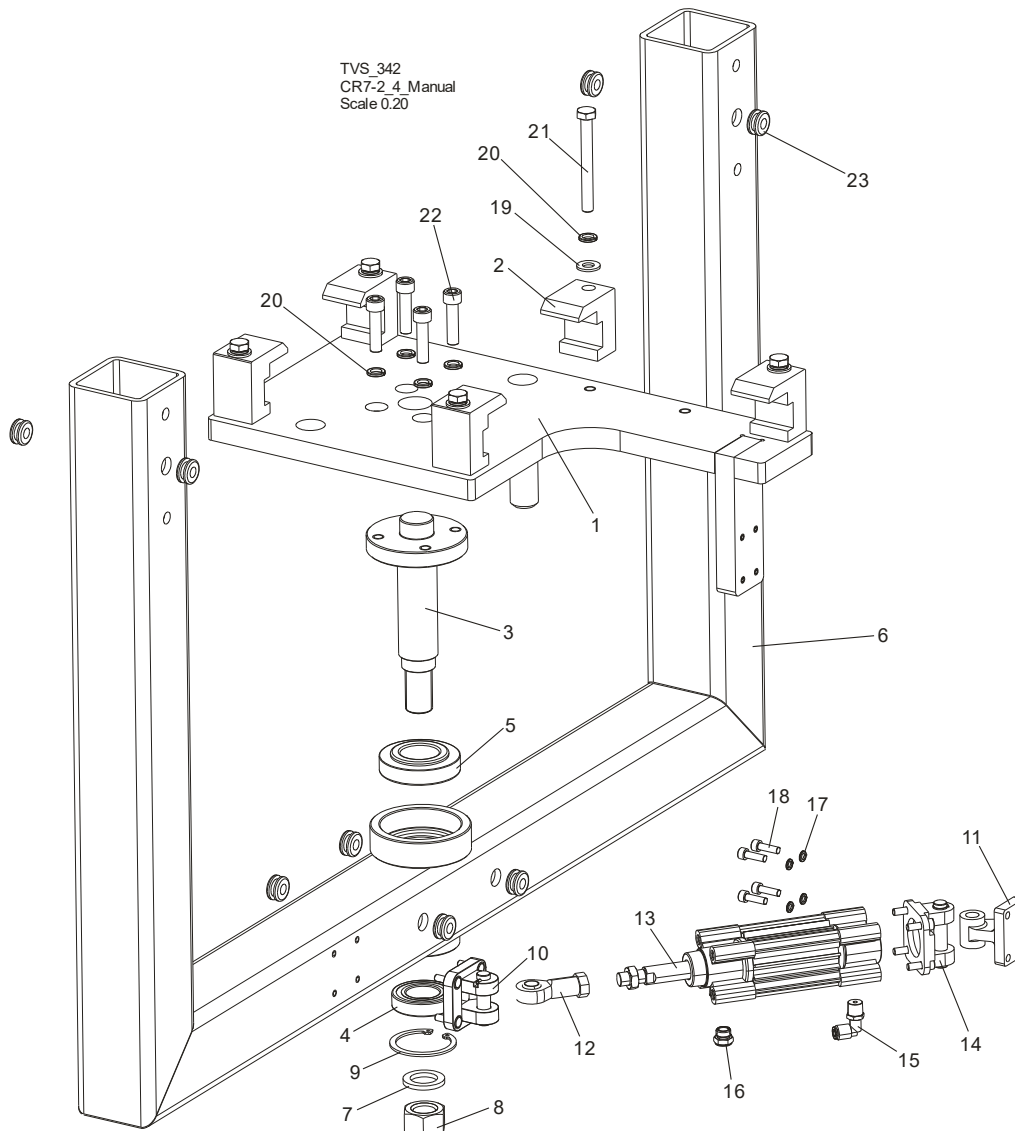
13	WASHER, Z 6.1 SPLIT LOCK ZINC	F81053-3	4	
14	SCREW, M6 X 20 8.8 SOCKET HEAD	F81001-22	4	
15	SILENCER, AN10-01 (SMC)	510983	1	
16	FITTING, KQ2L06-01S (6 MM; R1/8) MALE EL	510679	1	
17	GROMMET, RUBBER 3/8 ID	025248	1	
18	WASHER, 10.5 FLAT ZINC	F81055-1	7	
19	NUT, M10-8-B HEX NYLON ZINC LOCK	F81033-1	3	
20	BOLT, M10X90-8.8-B-HEX HEAD ZINC	F81003-66	1	
21	BUMPER	092839	1	
22	BUSHING, TVS SC MOUNTING	507738	2	
23	BOLT, TVS SC ZINC-PLATED MOUNTING	508183-1	2	
24	WASHER, 25 FLAT ZINC	F81061-3	2	
25	RING, 25Z OUTSIDE RETAINING	F81090-22	2	
26	WASHER, 6.4 FLAT ZINC	F81053-1	4	
27	WASHER, Z 6.1 SPLIT LOCK ZINC	F81053-3	4	
28	BOLT, M6x20-8.8 HEX HEAD FULL THREAD ZINC	F81001-2	4	
29	BOLT, M10x110 8.8 HEX HEAD ZINC	F81003-43	2	
30	CLAMPING SCREW M10X12-45H FE/ZN5	F81003-46	2	
31	PIN, 5X26 ROLL ZINC	F81044-2	2	
32	NUT, M10-8-B-HEX ZINC	F81033-3	1	

6.24 Guide Roller Assembly



REF	DESCRIPTION (◆ indicates parts available in assemblies only)	PART #	QTY
	GUIDE ROLLER ASSEMBLY (FOR 1.2/1.8 LONG LOGS)	511141	1
1	ROLLER, TVS SC COMPLETE GUIDE See Section 6.23	510660	2
2	MOUNT, GUIDE ROLLER - COMPLETE See Section 6.25	510340	1
3	CAP, 80X80 GR 2-4 #111227 TUBE END	089644	2
4	FITTING, KQ2TWO6-00 MALE (CROSS)	511152	1
5	HOSE, 6MM POLYURETHANE	R80588-7	1

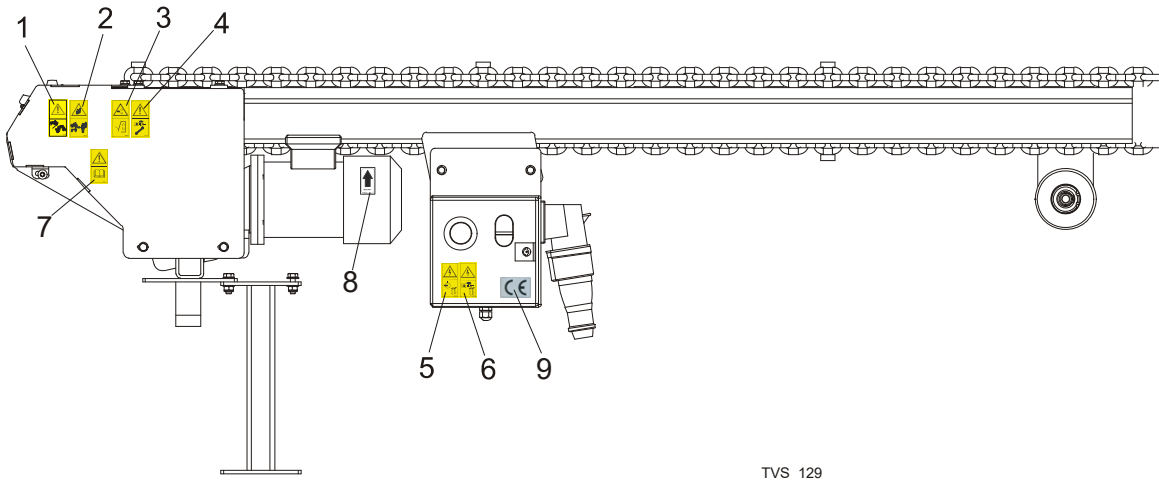
6.25 Guide Roller Mount



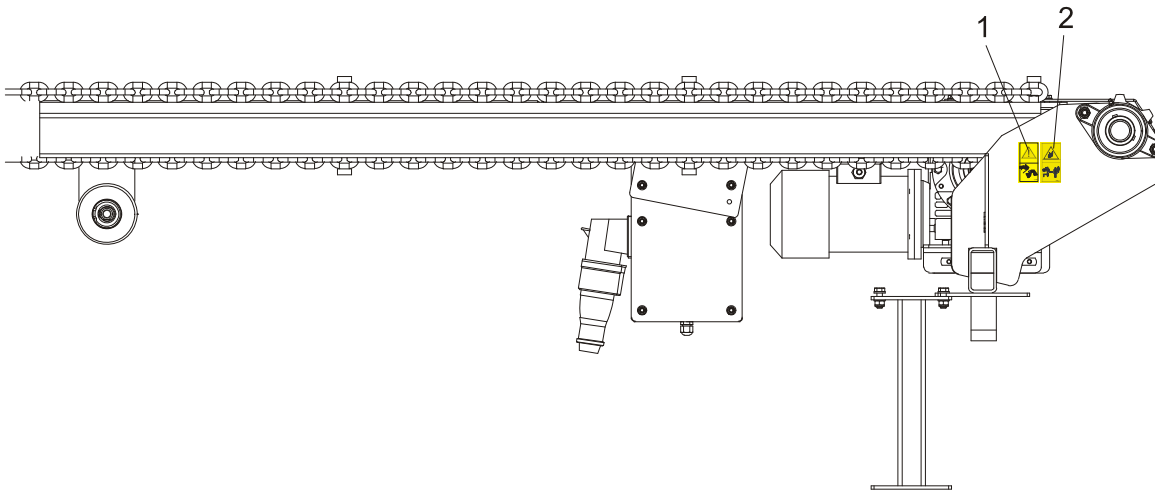
REF	DESCRIPTION (◆ indicates parts available in assemblies only)	PART #	QTY
	MOUNT, GUIDE ROLLER - COMPLETE	510340	1
1	PLATE, TVS SC MOUNTING - COMPLETE	510335-1	1
2	BRACKET, TVS SC	510336-1	5
3	PIN, TVS SC MOUNTING	510333-1	2
4	BEARING, 6006 2RSR	096191	1
5	BEARING, 30207 A (35x72x18.25) TAPERED ROLLER	510326	1
6	TUBE WELDMENT, ROLLER MOUNT	510330-1	1
7	WASHER, 37x24.3x4 SPECIAL	510337-1	1
8	NUT, M24X2 HEX NYLON ZINC LOCK	F81039-10	1
9	RING, W55 INSIDE RETAINING	F81090-46	1
	CYLINDER, TVS SC SIDE AIR - COMPLETE	510370	1
10	CLEVIS, DE5040(F) DOUBLE	510372	1
11	CLEVIS, E5040 (F)	510375	1
12	JOINT, KJI2D KNUCKLE	510373	1
13	CYLINDER, CP96SDB40-50 AIR	510371	1
14	CLEVIS, D5040 (F) STANDARD DOUBLE	510374	1

15	FITTING, KQ2L06-02S (6mm) MALE ELBOW	510671	1	
16	SILENCER, AN-SM-02 (RI/4)	510915	1	
17	WASHER, Z 6.1 SPLIT LOCK ZINC	F81053-3	4	
18	SCREW, M6 X 20 8.8 SOCKET HEAD	F81001-22	4	
19	WASHER, 10.5 FLAT ZINC	F81055-1	5	
20	WASHER, Z 10.2 SPLIT LOCK ZINC	F81055-2	9	
21	BOLT, M10X90-8.8-B-HEX HEAD ZINC	F81003-66	5	
22	SCREW M10X40 SHCS ZC 8.8 DIN 912 ISO 476	F81003-22	4	
23	GROMMET, RUBBER 3/8 ID	025248	8	

6.26 Decals



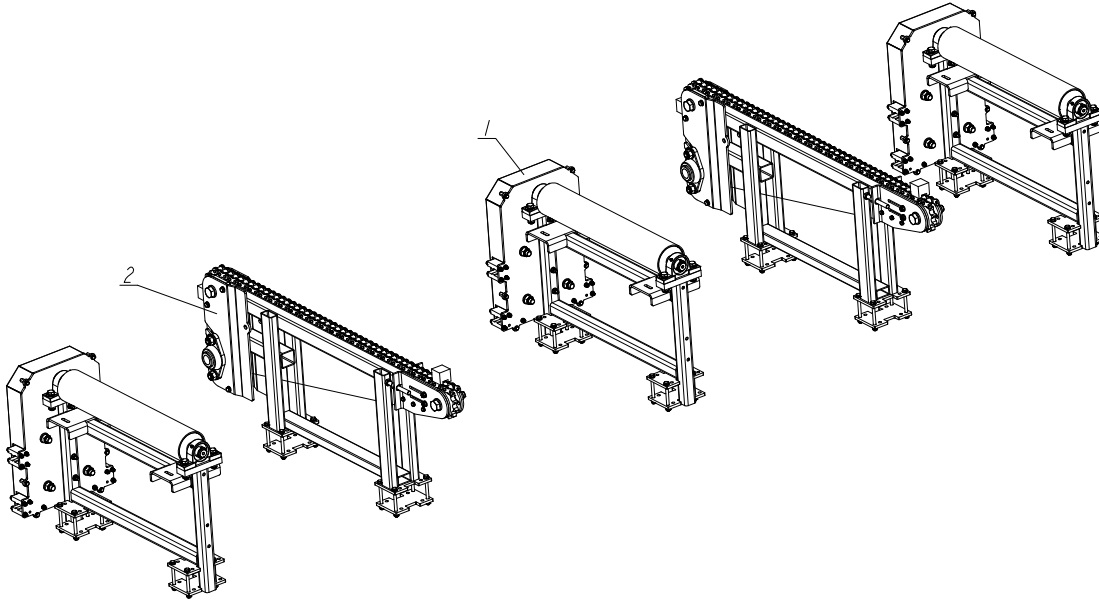
TVS_129



REF	DESCRIPTION (◆ indicates parts available in assemblies only)	PART #	QTY
	DECALS KIT, PICTOGRAMS, CROSS TRANSFER D	099835	1
1	DECAL, LOOK OUT FOR THE FALLING SLABS (099780	2
2	DECAL, KEEP AWAY DANGER, PICTOGRAM	099221	2
3	DECAL, SAWMILL COVERS CAUTION	099220	1
4	DECAL, DISCONNECT AND LOCK OUT POWER SUP	098177	1
5	DECAL, HIGH VOLTAGE INSIDE THE ELECTRIC	096316	1
6	Decal, Remove the plug before opening the electric box (pictogram)	096319	1
7	DECAL, READ OPERATOR'S MANUAL (PICTOGRAM	096317	1
8	Decal, Motor rotations direction - 1400 r.p.m.	S20097H	1
9	DECAL, CE CERTIFIED SAWMILL, SMALL	P85070	1

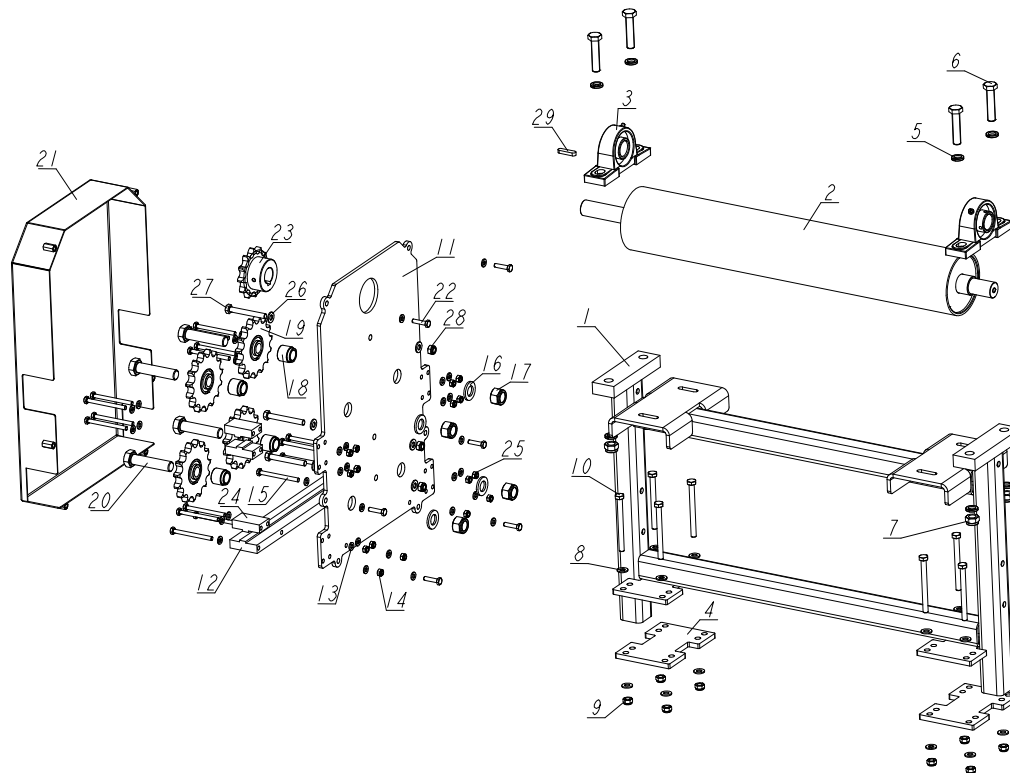
6.27 Roller Set, CR6-1.8

589808_001
 589808_MANUAL



REF.	DESCRIPTION (* indicates parts available in assemblies only)	PART #	QTY	
-	ROLLER SET, CR6-1.8	589808	1	
1	CR6 TABLE ROLLER MODULE (12B-1 CHAIN) See Section 6.28	584630	3	
2	SIDE MOVEMENT DEVICE See Section 6.16	506027	2	

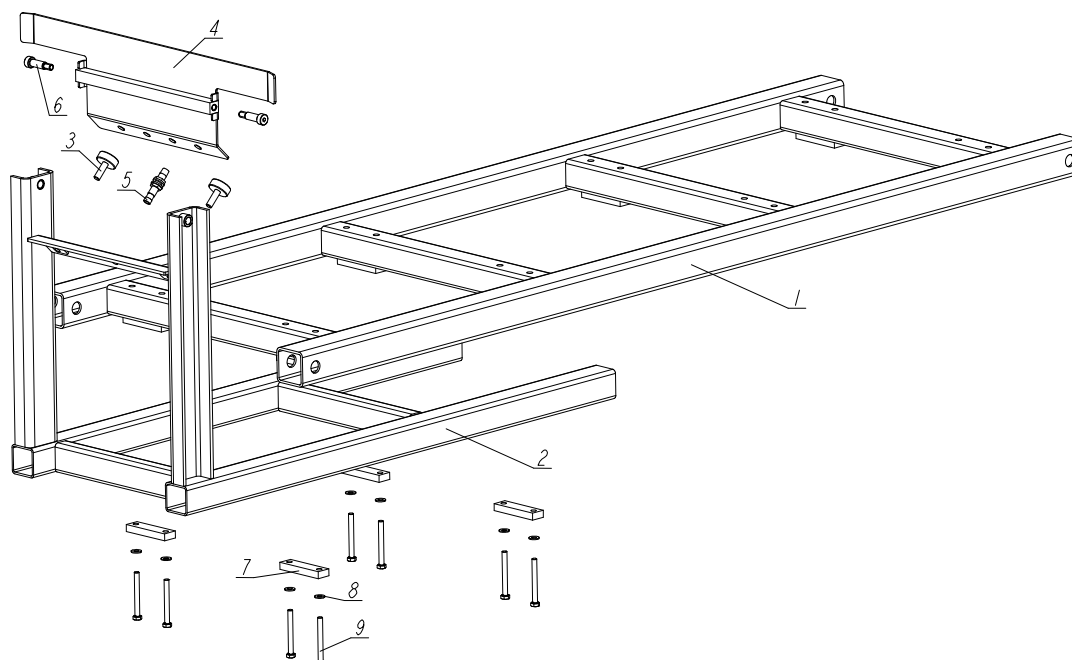
6.28 CR6 Table Roller Module (12B-1 Chain)

584630_001_PARTS
584630_MANUAL

REF.	DESCRIPTION (* indicates parts available in assemblies only)	PART #	QTY
-	CR6 TABLE ROLLER MODULE (12B-1 CHAIN)	584630	1
1	MOUNT WELDMENT, TABLE ROLLER	506030-1	1
-	ROLLER ASSEMBLY, N101.6X600	506006	1
2	ROLLER WELDMENT, N101.6X600 PTD.	506005-1	1
3	BEARING ASSEMBLY, UCP 205CX	088468	2
4	PLATE, MOUNTING	506028-1	2
5	WASHER, Z12.2 SPLIT LOCK ZINC	F81056-2	8
6	BOLT, M12X55-8.8 HEX HEAD FULL THREAD ZINC	F81004-43	4
7	NUT, M12 8 HEX NYLON ZINC LOCK	F81034-2	4
8	WASHER, 8.4 FLAT ZINC	F81054-1	16
9	NUT, M8-8-B HEX NYLON ZINC LOCK	F81032-2	8
10	BOLT, 8MM X 1.25 X 90MM HH FT ZINC	F81002-16	8
-	MEDIUM ROLLER MODULE	561660	1
11	GUIDE SPROCKET MOUNTING PLATE	560176-1	1
12	GUIDE, 12B-1 CHAIN LONG	560181	1
13	WASHER, 6.4 FLAT ZINC	F81053-1	38
14	NUT, M6-8-B HEX NYLON ZINC LOCK	F81031-2	14
15	BOLT, M6X70 8.8 HEX HEAD FULL THREAD ZIN	F81001-63	16
16	WASHER, 17 SPLIT LOCK ZINC	F81058-1	4
17	NUT, M16-8-HEX NYLON ZINC LOCK	F81036-2	4

REF.	DESCRIPTION (* indicates parts available in assemblies only)	PART #	QTY	
18	BUSHING, 16.5/22-22 KOLN 25-17	560174-1	4	
19	SPROCKET, Z=15 12B-1 (T18434)	560179	4	
20	BOLT, M16X70 HEX HEAD ZINC	F81006-16	4	
21	ROLLER DRIVE COVER WELDED/PAINTED	561164-1	1	
22	BOLT, M6X25-5.8 HEX HEAD FULL THREAD ZIN	F81001-3	6	
23	SPROCKET, Z=12 12B-1 (T72639)	560175	1	
24	GUIDE, 12B-1 CHAIN	561649	6	
25	NUT, M6-8-B HEX NYLON ZINC LOCK	F81031-2	2	
26	WASHER, 8.4 FLAT ZINC	F81054-1	6	
27	BOLT, M8X65-5.8 HEX HEAD ZINC	F81002-3	3	
28	NUT, M8-8-B HEX NYLON ZINC LOCK	F81032-2	3	
29	KEY, A8X5X32 PARALLEL	515811	1	

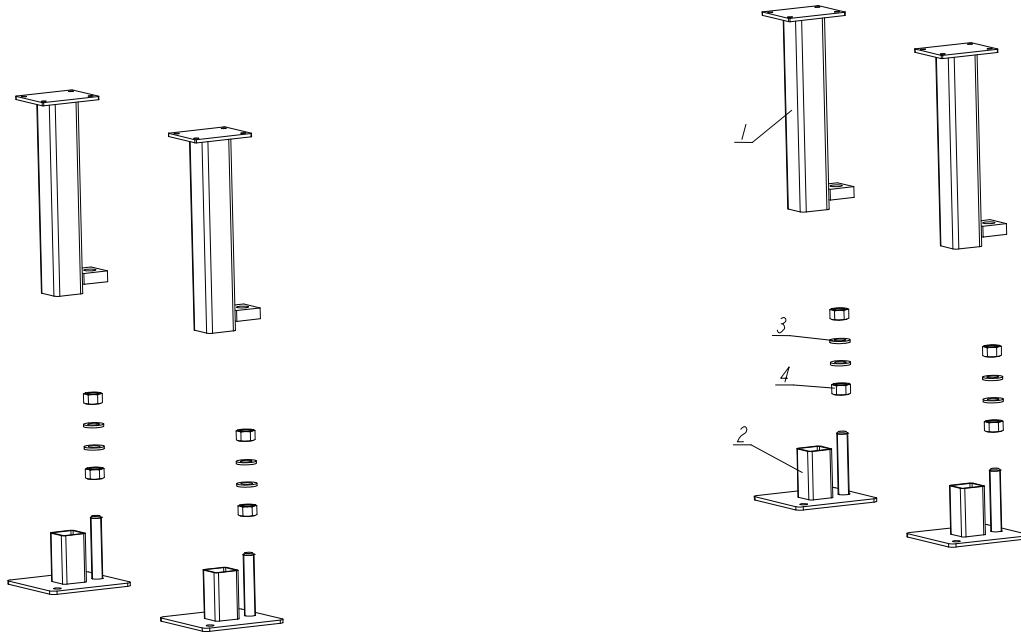
6.29 Bed Frame and Activator Plate Assembly

589809_001
589809_MANUAL

REF.	DESCRIPTION (* indicates parts available in assemblies only)	PART #	QTY	
-	BED FRAME AND ACTIVATOR PLATE ASSEMBLY	589809	1	
1	FRAME WELDMENT, ROLLER CONVEYOR	506014-1	1	
-	ACTIVATOR PLATE ASSEMBLY	506320	1	
2	MOUNT WELDMENT, ACTIVATOR PLATE	506319-1	1	
3	BUMPER	092839	2	
4	PLATE WELDMENT, SWING	506318-1	1	
5	SENSOR, BES M12MG-POC80F-S04G INDUCTIVE	507257	1	
6	SCREW, 12/M10X30 12.9 ISO 7379 SOCKET HE	F81003-70	2	
7	BAR, REAR MOUNT	506186-1	4	
8	WASHER, 8.4 FLAT ZINC	F81054-1	8	
9	BOLT, M8 X 75 8.8 HEX HEAD ZINC	F81002-91	8	

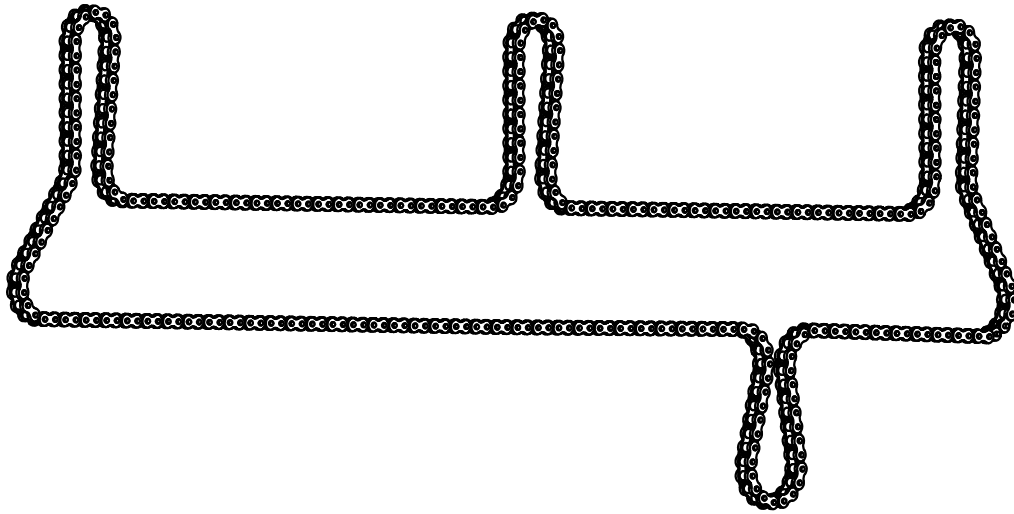
6.30 Leg Set, CR6-1.8

589810_001
 589810_MANUAL



REF.	DESCRIPTION (* indicates parts available in assemblies only)	PART #	QTY	
-	LEG SET, CR6-1.8	589810	1	
-	COMPLETE SHORT LEG	506018	4	
1	LEG WELDMENT, SHORT	506017-1	1	
2	FOOT, LES TABLE LEG	099281-1	1	
3	WASHER, 21 FLAT ZINC	F81059-2	2	
4	NUT, M20-8-FE/ZN5 PN-86/M-82144	F81037-1	2	

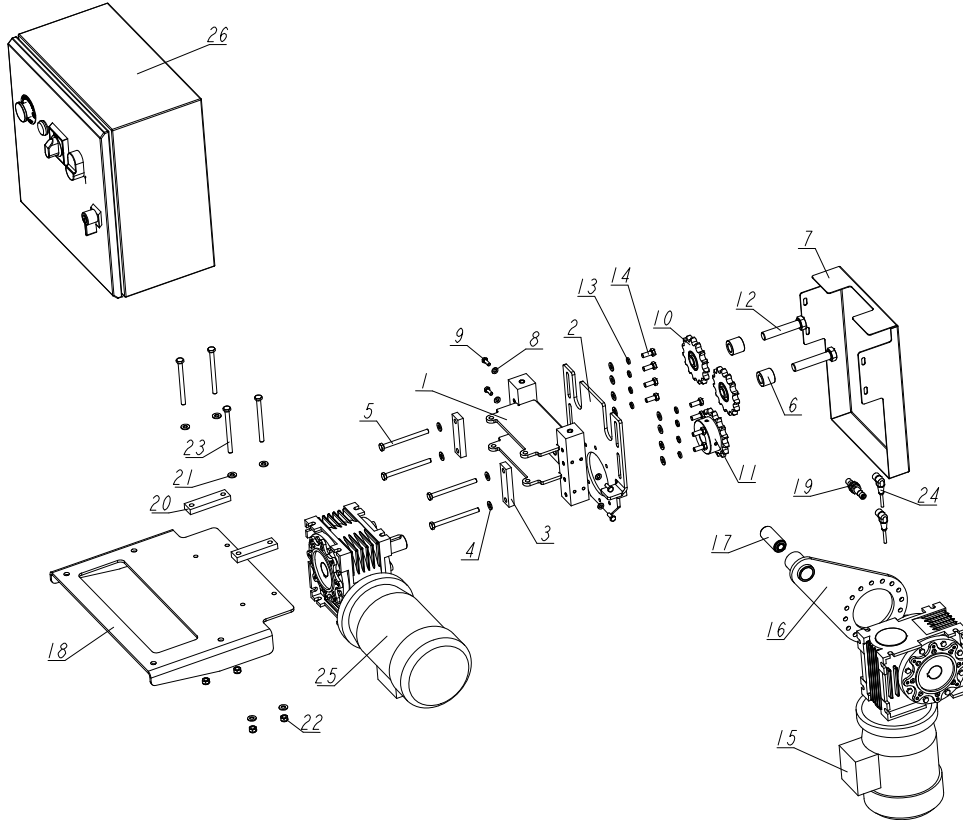
6.31 Chain, CR6-1.8



REF.	DESCRIPTION (* indicates parts available in assemblies only)	PART #	QTY
-	CHAIN, 12B-1 L=5067 266 LINKS CR6-1.8	584631	1

6.32 Electrical Equipment, CR6-1.8

589812_001
589812_MANUAL



REF.	DESCRIPTION (* indicates parts available in assemblies only)	PART #	QTY
-	ELECTRICAL EQUIPMENT CR6-1.8	589812 ¹	1
-	ELECTRICAL EQUIPMENT CR6-1.8 (Norway	589812-2 ²	1
-	ROLLER TABLE DRIVE ASSEMBLY	560190	1
1	DRIVE SUPPORT BRACKET	560189-1	1
2	GEAR MOTOR MOUNTING ASSEMBLY	560187-1	1
3	BAR, REAR MOUNT	506186-1	2
4	WASHER, 8.4 FLAT ZINC	F81054-1	12
5	BOLT, M8X100-8.8 HEX HEAD ZINC	F81002-23	4
6	WASHER, SPECIAL N17XN30X25.5 ZINC	560184-1	2
7	COVER, DRIVE	560159-1	1
8	WASHER, 6.4 FLAT ZINC	F81053-1	4
9	BOLT, M6X16-5.8 HEX HEAD FULL THREAD ZIN	F81001-15	4
10	SPROCKET, Z=15 12B-1 (T18434)	560179	2
11	SPROCKET, Z=15 12B-1 FI28 (T72653)	560185	1
12	BOLT, M16X80 8.8-B- FE/ZN5 PN-M/82101	F81006-41	2
13	WASHER 8,2 SPLIT LOCK ZINC	F81054-4	8
14	BOLT, M8X20 8.8 HEX HEAD FULL THREAD ZINC	F81002-4	8
-	CHAIN DRIVE ASSEMBLY	508619	1
15	GEAR MOTOR MR-63/19.5/0.75-1400/F3/V6	508618	1
-	ARM, MR-63 WM1000 TORQUE	504176	1

REF.	DESCRIPTION (* indicates parts available in assemblies only)	PART #	QTY	
16	ARM WELDMENT, WM1000 TORQUE	504175-1	1	
17	BUSHING, FI27XF112 L=66 METAL&RUBBER	504171	1	
18	PLATE, ELECTRIC BOX MOUNT	508607-1	1	
19	SENSOR, BES M12MG-PSC80F-S04G INDUCTIVE	093168	1	
20	BAR, REAR MOUNT	506186-1	2	
21	WASHER, 8.4 FLAT ZINC	F81054-1	8	
22	NUT, M8-8-B HEX NYLON ZINC LOCK	F81032-2	4	
23	BOLT, M8X100-8.8 HEX HEAD ZINC	F81002-23	4	
24	CABLE, 5M SAFETY SWITCH	087652	2	
25	GEAR MOTOR, MR-63/24.5/1.1-1400/K3/V6	509437	1	
26	ELECTRIC BOX, CR6-P	514731	1	
	ELECTRIC BOX, CR6	507254-2 ³	1	

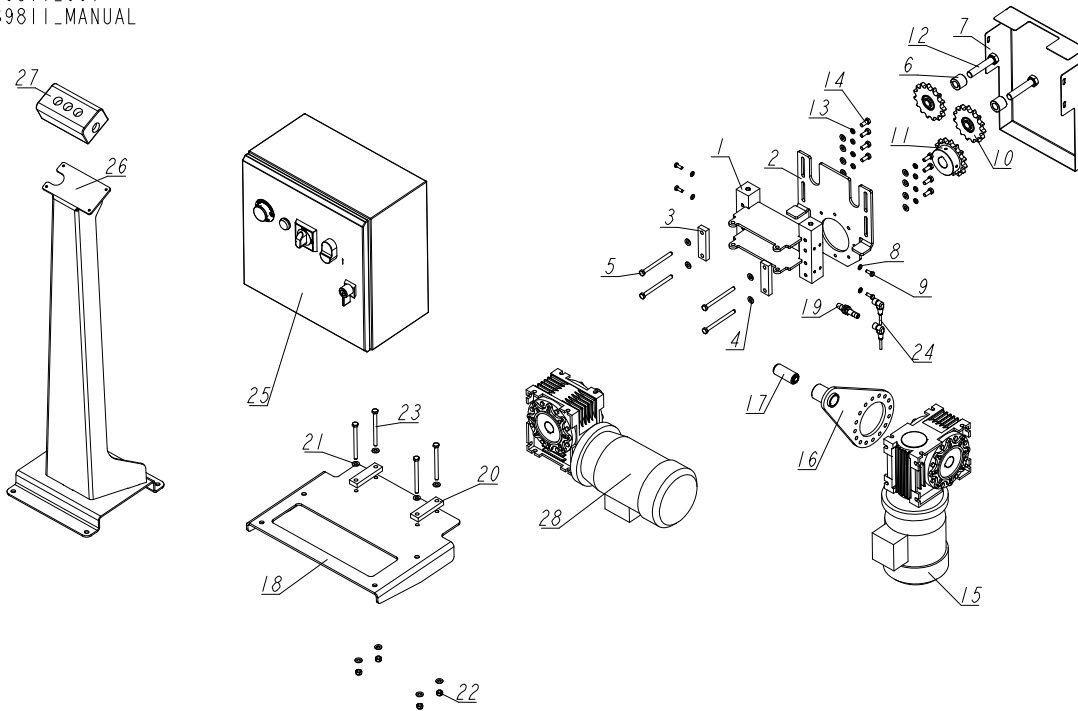
¹ Included in CR6-1.8C, CR6-1.8H

² Included in CR6-1.8B

³ Included in 589812-2

6.33 Electrical Equipment, CR6-1.8

589811_001
589811_MANUAL



REF.	DESCRIPTION (* indicates parts available in assemblies only)	PART #	QTY
-	ELECTRICAL EQUIPMENT, CR6-1.8	589811 ¹	1
-	ELECTRICAL EQUIPMENT, CR6-1.8-P B=230V (Norway)	589811-2 ²	1
-	ROLLER TABLE DRIVE ASSEMBLY	560190	1
1	DRIVE SUPPORT BRACKET	560189-1	1
2	GEAR MOTOR MOUNTING ASSEMBLY	560187-1	1
3	BAR, REAR MOUNT	506186-1	2
4	WASHER, 8.4 FLAT ZINC	F81054-1	12
5	BOLT, M8X100-8.8 HEX HEAD ZINC	F81002-23	4
6	WASHER, SPECIAL N17XN30X25.5 CYNK.	560184-1	2
7	COVER, DRIVE	560159-1	1
8	WASHER, 6.4 FLAT ZINC	F81053-1	4
9	BOLT, M6X16-5.8 HEX HEAD FULL THREAD ZIN	F81001-15	4
10	SPROCKET, Z=15 12B-1 (T18434)	560179	2
11	SPROCKET, Z=15 12B-1 FI28 (T72653)	560185	1
12	BOLT, M16X80 8.8-B- FE/ZN5 PN-M/82101	F81006-41	2
13	WASHER 8,2 SPLIT LOCK ZINC	F81054-4	8
14	BOLT, M8X20 8.8 HEX HEAD FULL THREAD ZIN	F81002-4	8
-	CHAIN DRIVE ASSEMBLY	508619	1
15	REDUKTOR MR-63/19.5/0.75-1400/F3/V6	508618	1
-	ARM, MR-63 WM1000 TORQUE	504176	1
16	ARM WELDMENT, WM1000 TORQUE	504175-1	1
17	BUSHING, FI27XF12 L=66 METAL&RUBBER	504171	1
18	PLATE, ELECTRIC BOX MOUNT	508607-1	1
19	SENSOR, BES M12MG-PSC80F-S04G INDUCTIVE	093168	1

REF.	DESCRIPTION (* indicates parts available in assemblies only)	PART #	QTY	
20	BAR, REAR MOUNT	506186-1	2	
21	WASHER, 8.4 FLAT ZINC	F81054-1	8	
22	NUT, M8-8-B HEX NYLON ZINC LOCK	F81032-2	4	
23	BOLT, M8X100-8.8 HEX HEAD ZINC	F81002-23	4	
24	CABLE, 5M SAFETY SWITCH	087652	2	
25	ELECTRIC BOX, CR6-P	514731	1	
	ELECTRIC BOX, CR6_B-P	514731-2 ³	1	
-	BOX, CR6-P CONTROL	536925	1	
26	STAND, CONTROL PANEL	519218-1	1	
27	HOUSING M22-I3	087928	1	
28	GEAR MOTOR, MR-63/24.5/1.1-1400/K3/V6	509437	1	

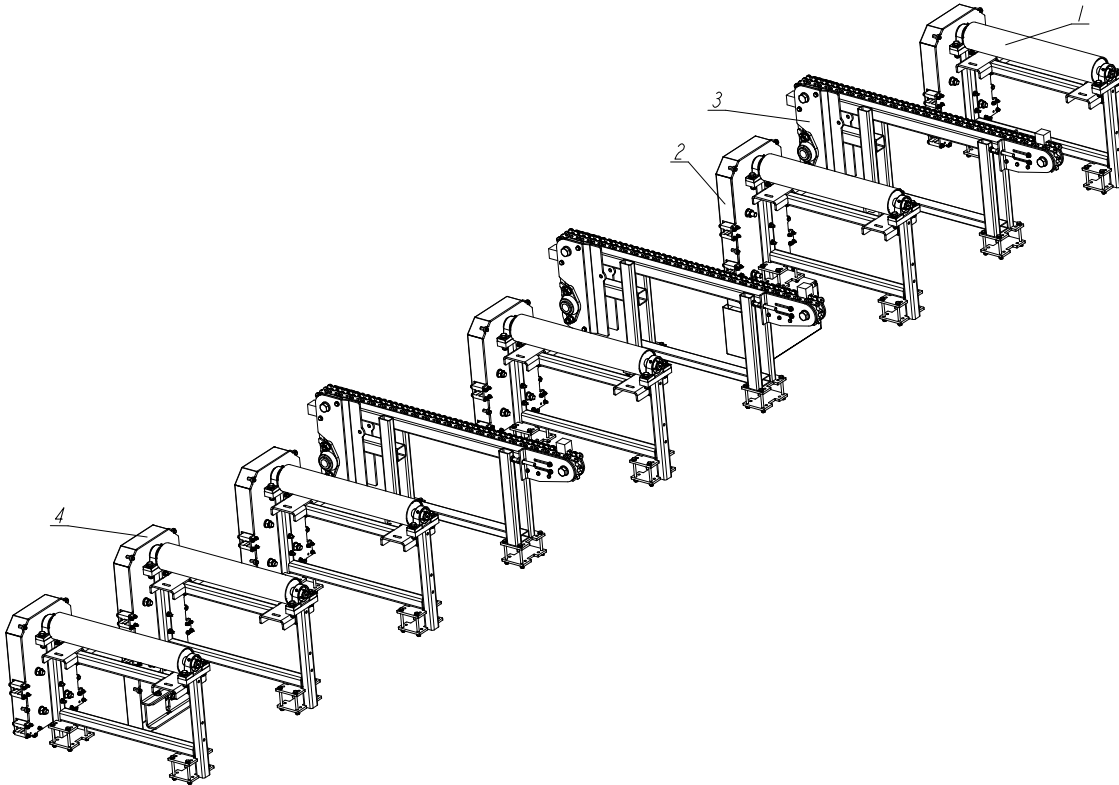
¹ Included in CR6-1.8C-P, CR6-1.8H-P

² Included in CR6-1.8B-P

³ Included in 589811-2

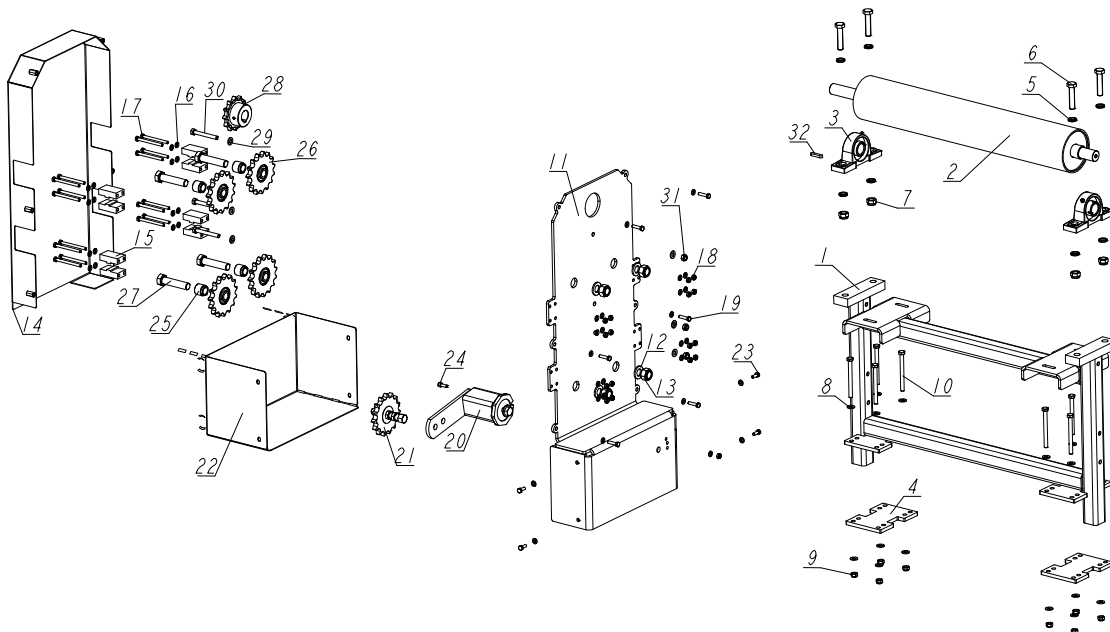
6.34 Roller Set with Directional Chain, CR6-3.6

589813_001
589813_MANUAL



REF.	DESCRIPTION (* indicates parts available in assemblies only)	PART #	QTY
-	ROLLER SET WITH DIRECTIONAL CHAIN	589813	1
1	CR6 TABLE ROLLER MODULE (12B-1 CHAIN) See Section 6.28	584630	4
2	CR6 TABLE ROLLER MODULE WITH DRIVE (12B-1 CHAIN) See Section 6.35	584632	1
3	SIDE MOVEMENT DEVICE See Section 6.16	506027	3
4	CR6 TABLE ROLLER MODULE WITH MECH. DRIVE (12B-1 CHAIN) See Section 6.36	584633	1

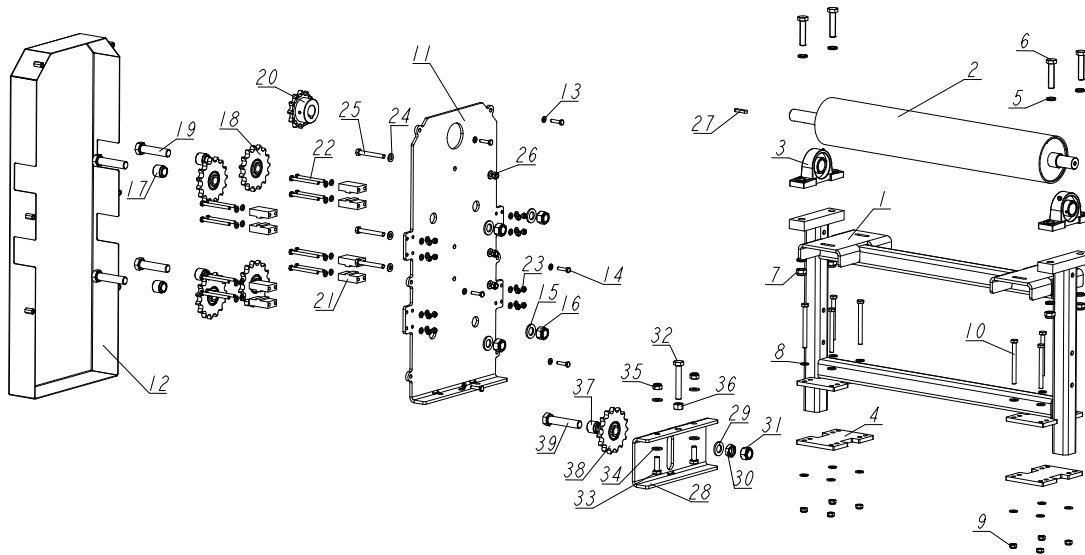
6.35 Table Roller Module with Drive, CR6-3.6

584632_001_PARTS
589813_MANUAL

REF.	DESCRIPTION (* indicates parts available in assemblies only)	PART #	QTY
-	ROLLER SET WITH DIRECTIONAL CHAIN	589813	1
-	TABLE ROLLER MODULE WITH DRIVE, CR6 (12B-1 CHAIN)	584632	1
1	MOUNT WELDMENT, TABLE ROLLER	506030-1	1
-	ROLLER ASSMEBLY, N101.6X600	506006	1
2	ROLLER WELDMENT, N101.6X600 PTD.	506005-1	1
3	BEARING ASSEMBLY, UCP 205CX	088468	2
4	PLATE, MOUNTING	506028-1	2
5	WASHER, Z12.2 SPLIT LOCK ZINC	F81056-2	8
6	BOLT, M12X55-8.8 HEX HEAD FULL THREAD ZI	F81004-43	4
7	NUT, M12 8 HEX NYLON ZINC LOCK	F81034-2	4
8	WASHER, 8.4 FLAT ZINC	F81054-1	16
9	NUT, M8-8-B HEX NYLON ZINC LOCK	F81032-2	8
10	BOLT, 8MM X 1.25 X 90MM HH FT ZINC	F81002-16	8
-	MEDIUM ROLLER MODULE W/AUTOMATIC TENSION	560177	1
11	MOUNTING PLATE, GUIDE SPROCKET AND TENSIONING SYSTEM	560171-1	1
12	WASHER, 17 SPLIT LOCK ZINC	F81058-1	4
13	NUT, M16-8-HEX NYLON ZINC LOCK	F81036-2	4
14	COVER, ROLLER DRIVE	563702-1	1
15	GUIDE, 12B-1 CHAIN	561649	8
16	WASHER, 6.4 FLAT ZINC	F81053-1	43
17	BOLT, M6X70 8.8 HEX HEAD FULL THREAD ZIN	F81001-63	16
18	NUT, M6-8-B HEX NYLON ZINC LOCK	F81031-2	17
19	BOLT, M6X25-5.8 HEX HEAD FULL THREAD ZIN	F81001-3	6
-	TENSIONER, 12B-1 TEKS 5 CHAIN - COMPLETE	565229	1
20	TENSIONER, TE5 (T29422) CHAIN	517579	1

REF.	DESCRIPTION (* indicates parts available in assemblies only)	PART #	QTY	
21	SPROCKET, KS 3/4"X7/16 12S (T31679) HABE	563705	1	
22	COVER, AUTOMATIC TENSIONER	563706-1	1	
23	BOLT, M6X16-5.8 HEX HEAD FULL THREAD ZIN	F81001-15	4	
24	SCREW, M6X16 -8.8 HEX SOCKET HEAD CAP ZI	F81001-21	1	
25	BUSHING, 16.5/22-22 KOLN 25-17	560174-1	4	
26	SPROCKET, Z=15 12B-1 (T18434)	560179	4	
27	BOLT, M16X70 HEX HEAD ZINC	F81006-16	4	
28	SPROCKET, Z=12 12B-1 (T72639)	560175	1	
29	WASHER, 8.4 FLAT ZINC	F81054-1	6	
30	BOLT, M8X65-5.8 HEX HEAD ZINC	F81002-3	3	
31	NUT, M8-8-B HEX NYLON ZINC LOCK	F81032-2	3	
32	KEY, A8X5X32 PARALLEL	515811	1	

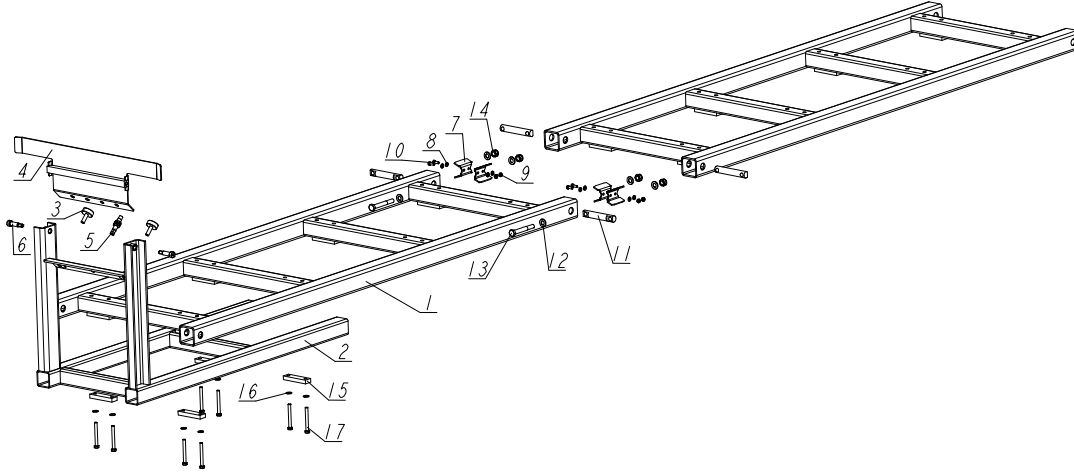
6.36 Table Roller Module with Mech. Drive, CR6-3.6

584633_001_PARTS
589813_MANUAL

REF.	DESCRIPTION (* indicates parts available in assemblies only)	PART #	QTY
-	ROLLER SET WITH DIRECTIONAL CHAIN	589813	1
-	TABLE ROLLER MODULE WITH MECH. DRIVE, CR6 (12B-1 CHAIN)	584633	1
1	MOUNT WELDMENT, TABLE ROLLER	506030-1	1
-	ROLLER ASSMEBLY, N101.6X600	506006	1
2	ROLLER WELDMENT, N101.6X600 PTD.	506005-1	1
3	BEARING ASSEMBLY, UCP 205CX	088468	2
4	PLATE, MOUNTING	506028-1	2
5	WASHER, Z12.2 SPLIT LOCK ZINC	F81056-2	8
6	BOLT, M12X55-8.8 HEX HEAD FULL THREAD ZI	F81004-43	4
7	NUT, M12 8 HEX NYLON ZINC LOCK	F81034-2	4
8	WASHER, 8.4 FLAT ZINC	F81054-1	16
9	NUT, M8-8-B HEX NYLON ZINC LOCK	F81032-2	8
10	BOLT, 8MM X 1.25 X 90MM HH FT ZINC	F81002-16	8
-	MEDIUM ROLLER MODULE, MECH. DRIVE	561661	1
11	MOUNTING PLATE, GUIDE SPROCKET	560173-1	1
12	COVER, ROLLER DRIVE	563902-1	1
13	WASHER, 6.4 FLAT ZINC	F81053-1	38
14	BOLT, M6X25-5.8 HEX HEAD FULL THREAD ZIN	F81001-3	6
15	WASHER, 17 SPLIT LOCK ZINC	F81058-1	4
16	NUT, M16-8-HEX NYLON ZINC LOCK	F81036-2	4
17	BUSHING, 16.5/22-22 KOLN 25-17	560174-1	4
18	SPROCKET, Z=15 12B-1 (T18434)	560179	4
19	BOLT, M16X70 HEX HEAD ZINC	F81006-16	4
20	SPROCKET, Z=12 12B-1 (T72639)	560175	1
21	GUIDE, 12B-1 CHAIN	561649	8
22	BOLT, M6X70 8.8 HEX HEAD FULL THREAD ZIN	F81001-63	16
23	NUT, M6-8-B HEX NYLON ZINC LOCK	F81031-2	16

REF.	DESCRIPTION (* indicates parts available in assemblies only)	PART #	QTY	
24	WASHER, 8.4 FLAT ZINC	F81054-1	6	
25	BOLT, M8X65-5.8 HEX HEAD ZINC	F81002-3	3	
26	NUT, M8-8-B HEX NYLON ZINC LOCK	F81032-2	3	
27	KEY, A8X5X32 PARALLEL	515811	1	
-	CHAIN TENSIONING - COMPLETE	560182	1	
28	PLATE, CHAIN TENSIONING	560183-1	1	
29	WASHER, 17 SPLIT LOCK ZINC	F81058-1	1	
30	NUT, M16 HEX THIN ZINC	F81036-4	1	
31	NUT, M16-8-HEX NYLON ZINC LOCK	F81036-2	1	
32	BOLT, M12X75-8.8-HEX HEAD FULL THREAD ZINC	F81004-10	1	
33	BOLT, DIN933-M10X30-8.8-A2E HEX HEAD	F81003-111	2	
34	WASHER, 10.5 FLAT ZINC	F81055-1	4	
35	NUT, M10-8-B HEX NYLON ZINC LOCK	F81033-1	2	
36	NUT, M12-8 HEX ZINC	F81034-1	1	
37	BUSHING, 16.5/22-22 KOLN 25-17	560174-1	1	
38	SPROCKET, Z=15 12B-1 (T18434)	560179	1	
39	BOLT, M16X80 8.8-B- FE/ZN5 PN-M/82101	F81006-41	1	

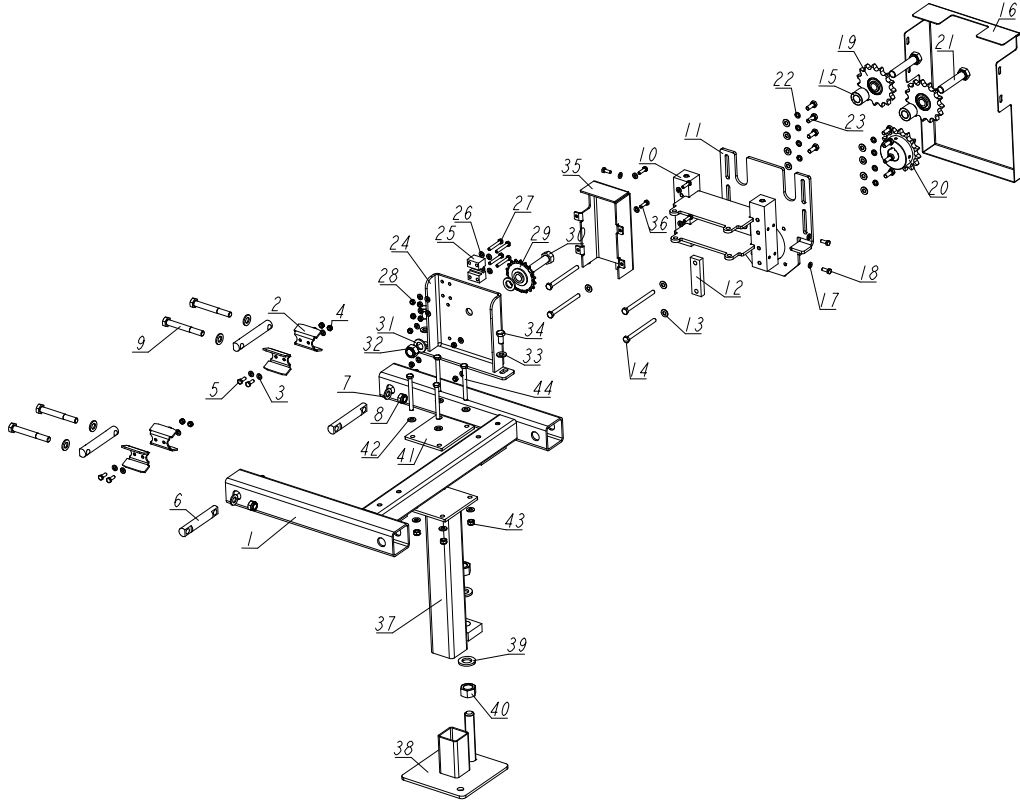
6.37 Bed Frame and Activator Plate Assembly

589814_001
589814_MANUAL

REF.	DESCRIPTION (* indicates parts available in assemblies only)	PART #	QTY
-	BED FRAME AND ACTIVATOR PLATE ASSEMBLY	589814	1
1	FRAME WELDMENT, ROLLER CONVEYOR	506014-1	2
-	ACTIVATOR PLATE ASSEMBLY	506320	1
2	MOUNT WELDMENT, ACTIVATOR PLATE	506319-1	1
3	BUMPER	092839	2
4	PLATE WELDMENT, SWING	506318-1	1
5	SENSOR, BES M12MG-POC80F-S04G INDUCTIVE	507257	1
6	SCREW, 12/M10X30 12.9 ISO 7379 SOCKET HE	F81003-70	2
-	PLATE ASSEMBLY, SEGMENT CONNECTION SEE S	508365	2
7	PLATE, SEGMENT CONNECTION	508364-1	2
8	WASHER, 6.4 FLAT ZINC	F81053-1	4
9	NUT, M6-8-B HEX NYLON ZINC LOCK	F81031-2	2
10	BOLT, M6X16-5.8 HEX HEAD FULL THREAD ZIN	F81001-15	2
11	PIN, SEGMENT CONNECTION	508366-1	4
12	WASHER, 13 FLAT ZINC	F81056-1	8
13	BOLT, M12X95 -8.8- HEX HEAD ZINC-PLATED	F81004-29	4
14	NUT, M12 8 HEX NYLON ZINC LOCK	F81034-2	4
15	BAR, REAR MOUNT	506186-1	4
16	WASHER, 8.4 FLAT ZINC	F81054-1	8
17	BOLT, M8 X 75 8.8 HEX HEAD ZINC	F81002-91	8

6.38 Line Extension Assembly

584620_001
584620_MANUAL

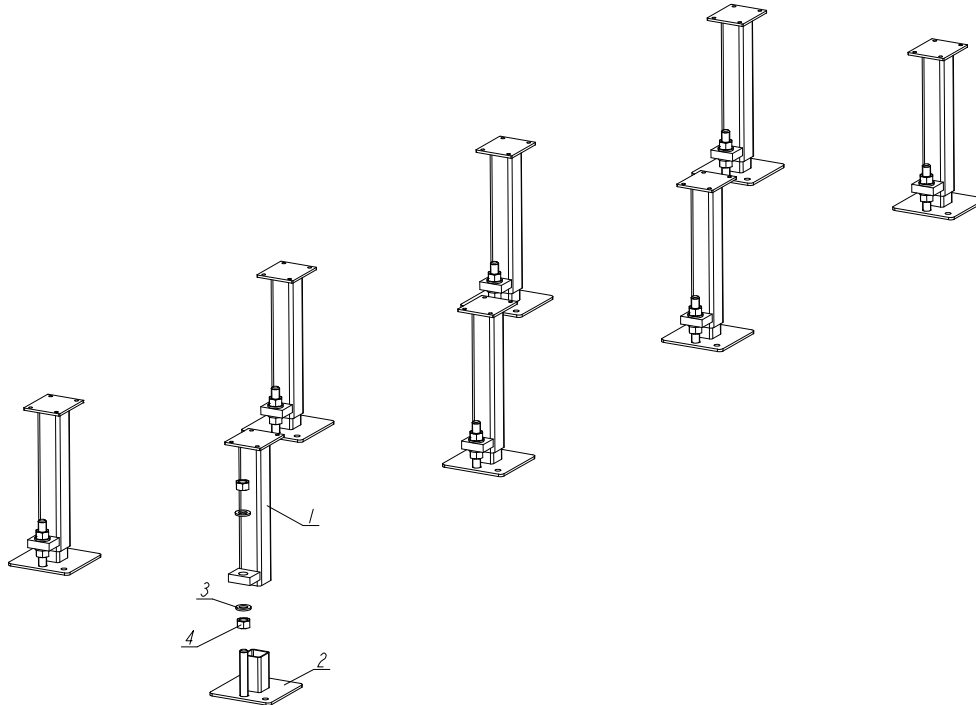


REF.	DESCRIPTION (* indicates parts available in assemblies only)	PART #	QTY
-	LINE EXTENSION ASSEMBLY	584620	1
1	FRAME WELDMENT, EXTENSION DRIVE MODULE	514008-1	1
-	PLATE ASSEMBLY, SEGMENT CONNECTION SEE S	508365	2
2	PLATE, SEGMENT CONNECTION	508364-1	2
3	WASHER, 6.4 FLAT ZINC	F81053-1	4
4	NUT, M6-8-B HEX NYLON ZINC LOCK	F81031-2	2
5	BOLT, M6X16-5.8 HEX HEAD FULL THREAD ZIN	F81001-15	2
6	PIN, SEGMENT CONNECTION	508366-1	4
7	WASHER, 13 FLAT ZINC	F81056-1	8
8	NUT, M12 8 HEX NYLON ZINC LOCK	F81034-2	4
9	BOLT, M12X95 -8.8- HEX HEAD ZINC-PLATED	F81004-29	4
-	ROLLER TABLE DRIVE ASSEMBLY	560190	1
1	DRIVE SUPPORT BRACKET	560189-1	1
2	GEAR MOTOR MOUNTING ASSEMBLY	560187-1	1
12	BAR, REAR MOUNT	506186-1	2
13	WASHER, 8.4 FLAT ZINC	F81054-1	12
14	BOLT, M8X100-8.8 HEX HEAD ZINC	F81002-23	4
15	WASHER, SPECIAL N17XN30X25.5 CYNK.	560184-1	2
16	COVER, DRIVE	560159-1	1
17	WASHER, 6.4 FLAT ZINC	F81053-1	4
18	BOLT, M6X16-5.8 HEX HEAD FULL THREAD ZIN	F81001-15	4

REF.	DESCRIPTION (* indicates parts available in assemblies only)	PART #	QTY	
19	SPROCKET, Z=15 12B-1 (T18434)	560179	2	
20	SPROCKET, Z=15 12B-1 FI28 (T72653)	560185	1	
21	BOLT, M16X80 8.8-B- FE/ZN5 PN-M/82101	F81006-41	2	
22	WASHER 8,2 SPLIT LOCK ZINC	F81054-4	8	
23	BOLT, M8X20 8.8 HEX HEAD FULL THREAD ZINC	F81002-4	8	
24	BRACKET, SPROCKET MOUNT	513982	1	
25	GUIDE, 08B CONVEYOR CHAIN	507925	2	
26	WASHER, 6.4 FLAT ZINC	F81053-1	16	
27	BOLT, M6X40-8.8 HEX HEAD FULL THREAD ZIN	F81001-5	4	
28	NUT, M6-8-B HEX NYLON ZINC LOCK	F81031-2	8	
29	SPROCKET, IDLER Z=18 KSR16.L0.08.10.18.0	088700	1	
30	BOLT, M16X65-8.8-B HEX HEAD FULL THREAD	F81006-1	1	
31	WASHER, 17 SPLIT LOCK ZINC	F81058-1	2	
32	NUT, M16-8-HEX NYLON ZINC LOCK	F81036-2	1	
33	WASHER, 10.5 FLAT ZINC	F81055-1	2	
34	BOLT, M10X20-5.8 HEX HEAD FULL THREAD ZI	F81003-1	2	
35	GUARD, CR8 SPROCKET	513983-1	1	
36	BOLT, M6X20 8.8 HEX HEAD FULL THREAD ZIN	F81001-2	4	
-	COMPLETE SHORT LEG	506018	1	
37	LEG WELDMENT, SHORT	506017-1	1	
38	FOOT, LES TABLE LEG	099281-1	1	
39	WASHER, 21 FLAT ZINC	F81059-2	2	
40	NUT, M20-8-FE/ZN5 PN-86/M-82144	F81037-1	2	
41	PLATE, LEG MOUNTING	505964-1	1	
42	WASHER, 8.4 FLAT ZINC	F81054-1	8	
43	NUT, M8-8-B HEX NYLON ZINC LOCK	F81032-2	4	
44	BOLT, M8X80-8.8 HEX HEAD ZINC	F81002-18	4	

6.39 Leg Set, CR6-3.6

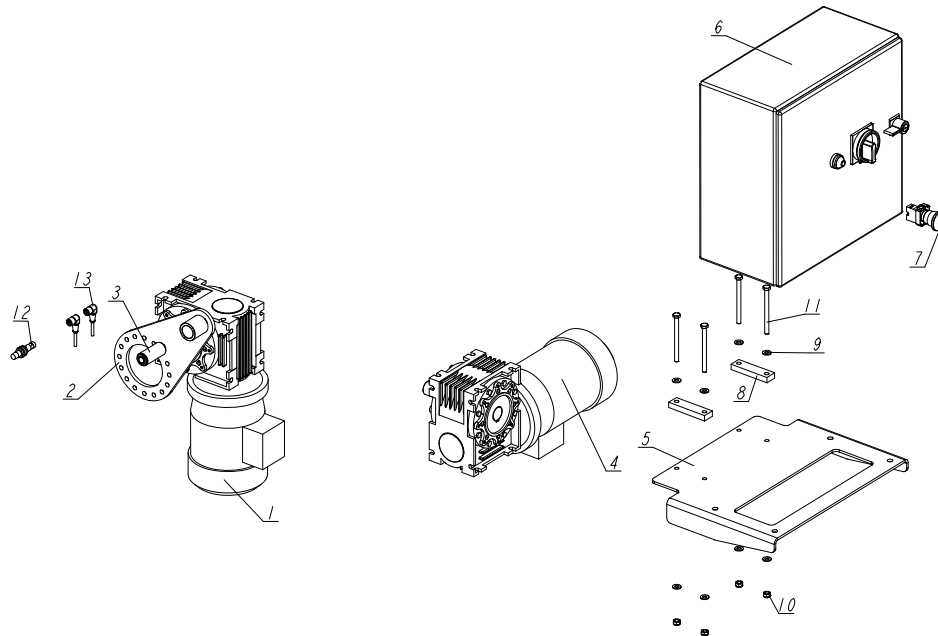
589815_001
 589815_MANUAL



REF.	DESCRIPTION (* indicates parts available in assemblies only)	PART #	QTY
-	LEG SET, CR6-3.6	589815	1
-	COMPLETE SHORT LEG	506018	8
1	LEG WELDMENT, SHORT	506017-1	1
2	FOOT, LES TABLE LEG	099281-1	1
3	WASHER, 21 FLAT ZINC	F81059-2	2
4	NUT, M20-8-FE/ZN5 PN-86/M-82144	F81037-1	2

6.40 Motor Kit, CR6C-P H=400V

589816_001
 589816_MANUAL



REF.	DESCRIPTION (* indicates parts available in assemblies only)	PART #	QTY
-	MOTOR KIT, CR6C-P H=400V	589816 ¹	1
-	MOTOR KIT, CR6 B=230V (Norway)	589816-2 ²	1
-	CHAIN DRIVE ASSEMBLY	508619	1
1	GEAR MOTOR, MR-63/19.5/0.75-1400/F3/V6	508618	1
-	ARM, MR-63 WM1000 TORQUE	504176	1
2	ARM WELDMENT, WM1000 TORQUE	504175-1	1
3	BUSHING, FI27XF12 L=66 METAL&RUBBER	504171	1
4	GEAR MOTOR, MR-63/24.5/1.1-1400/K3/V6	509437	1
5	PLATE, ELECTRIC BOX MOUNT	508607-1	1
6	BOX, AC 4KW ELECTRIC	507254	1
	ELECTRIC BOX, CR6	507254-2 ³	1
7	BUTTON, XB4 BS542 EMERGENCY STOP	086556	1
8	BAR, REAR MOUNT	506186-1	2
9	WASHER, 8.4 FLAT ZINC	F81054-1	8
10	NUT, M8-8-B HEX NYLON ZINC LOCK	F81032-2	4
11	BOLT, M8X100-8.8 HEX HEAD ZINC	F81002-23	4
12	SENSOR, BES M12MG-PSC80F-S04G INDUCTIVE	093168	1
13	CABLE, 5M SAFETY SWITCH	087652	2

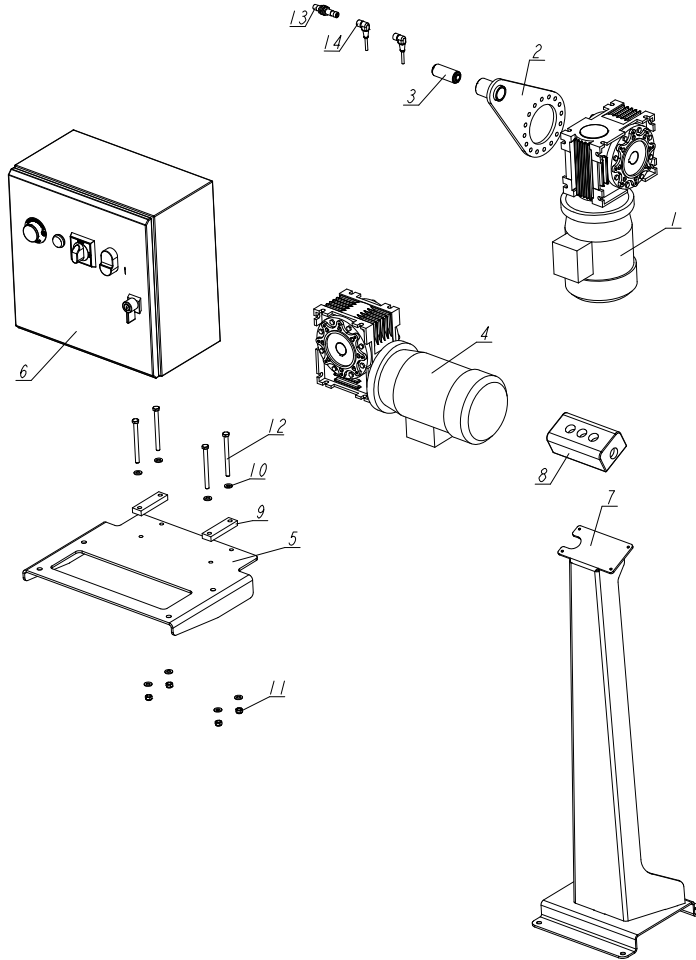
¹ Included in CR6-3.6C, CR6-3.6H, CR6-5.4H, CR6-7.2H

² Included in CR6-3.6B

³ Included in 589816-2

6.41 Motor Kit, CR6C/H-P

589806_001
 589806_MANUAL



REF.	DESCRIPTION (* indicates parts available in assemblies only)	PART #	QTY
-	MOTOR KIT, CR6C/H-P	589806 ¹	1
-	MOTOR KIT, CR6 B-P (Norway)	589806-2 ²	1
-	CHAIN DRIVE ASSEMBLY	508619	1
1	GEAR MOTOR MR-63/19.5/0.75-1400/F3/V6	508618	1
-	ARM, MR-63 WM1000 TORQUE	504176	1
2	ARM WELDMENT, WM1000 TORQUE	504175-1	1
3	BUSHING, FI27XF12 L=66 METAL&RUBBER	504171	1
4	GEAR MOTOR, MR-63/24.5/1.1-1400/K3/V6	509437	1
5	PLATE, ELECTRIC BOX MOUNT	508607-1	1
6	ELECTRIC BOX, CR6-P	514731	1
	ELECTRIC BOX, CR6_B-P	514731-2 ³	1
-	BOX, CR6-P CONTROL	536925	1
7	STAND, CONTROL PANEL	519218-1	1
8	HOUSING M22-I3	087928	1
9	BAR, REAR MOUNT	506186-1	2
10	WASHER, 8.4 FLAT ZINC	F81054-1	8
11	NUT, M8-8-B HEX NYLON ZINC LOCK	F81032-2	4

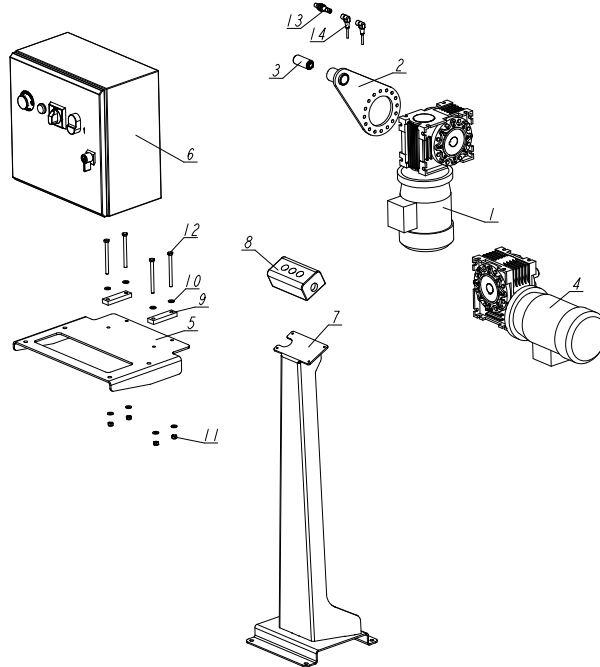
6**Roller Conveyors***Motor Kit, CR6C/H-P*

REF.	DESCRIPTION (* indicates parts available in assemblies only)	PART #	QTY	
12	BOLT, M8X100-8.8 HEX HEAD ZINC	F81002-23	4	
13	SENSOR, BES M12MG-PSC80F-S04G INDUCTIVE	093168	1	
14	CABLE, 5M SAFETY SWITCH	087652	2	

¹ Included in CR6-5.4H-P² Included in CR6-3.6B-P, CR6-5.4B-P³ Included in 589806-2

6.42 Motor Kit, CR6C P

589807_001
589807_MANUAL



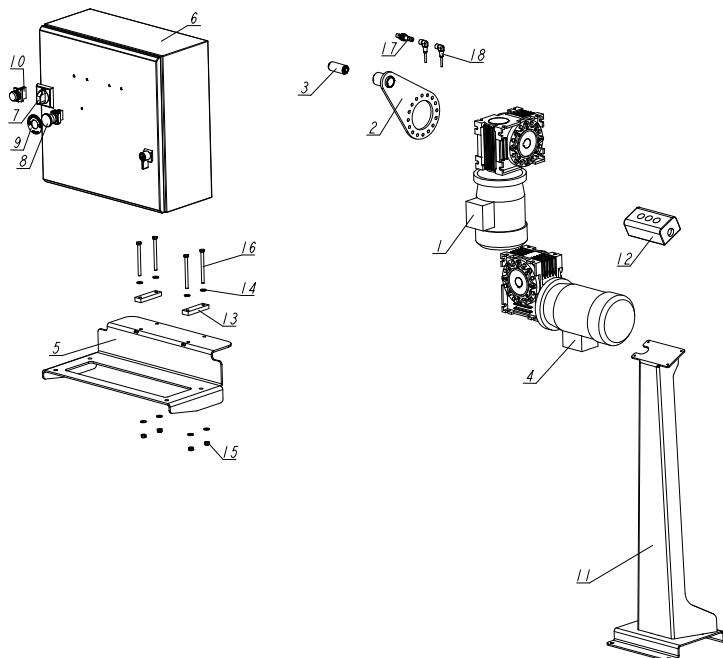
REF.	DESCRIPTION (* indicates parts available in assemblies only)	PART #	QTY
-	MOTOR KIT, CR6C P H=400V	589807 ¹	1
-	MOTOR KIT, CR6C P UL (USA)	589807-UL ²	1
-	CHAIN DRIVE ASSEMBLY	508619	1
1	GEAR MOTOR MR-63/19.5/0.75-1400/F3/V6	508618	1
-	ARM, MR-63 WM1000 TORQUE	504176	1
2	ARM WELDMENT, WM1000 TORQUE	504175-1	1
3	BUSHING, FI27XF12 L=66 METAL&RUBBER	504171	1
4	GEAR MOTOR, MR-63/24.5/1.1-1400/K3/V6	509437	1
5	PLATE, ELECTRIC BOX MOUNT	508607-1	1
6	ELECTRIC BOX, CR6-P	514731	1
	ELECTRIC BOX, CR6-P UL	514731-UL ³	1
-	BOX, CR6-P CONTROL	536925	1
7	STAND, CONTROL PANEL	519218-1	1
8	HOUSING M22-I3	087928	1
9	BAR, REAR MOUNT	506186-1	2
10	WASHER, 8.4 FLAT ZINC	F81054-1	8
11	NUT, M8-8-B HEX NYLON ZINC LOCK	F81032-2	4
12	BOLT, M8X100-8.8 HEX HEAD ZINC	F81002-23	4
13	SENSOR, BES M12MG-PSC80F-S04G INDUCTIVE	093168	1
14	CABLE, 5M SAFETY SWITCH	087652	2

¹ Included in CR6-3.6C-P, CR6-3.6H-P, CR6-5.4C-P

² Included in CR6-3.6C-P-UL

³ Included in 589807-UL

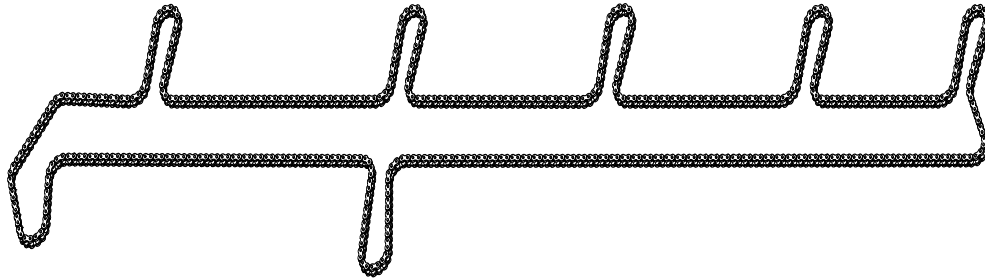
6.43 Motor Kit, CR6 P 3X460V UL

585111-UL_001
585111-UL_MANUAL

REF.	DESCRIPTION (* indicates parts available in assemblies only)	PART #	QTY	
-	MOTOR KIT, CR6 P 3X460V UL	585111-UL ¹	1	
-	CHAIN DRIVE	508619-UL	1	
1	GEAR MOTOR MR-63/19.5/0.75-1400/F3/V6	508618-UL	1	
-	ARM, MR-63 WM1000 TORQUE	504176	1	
2	ARM WELDMENT, WM1000 TORQUE	504175-1	1	
3	BUSHING, FI27XF12 L=66 METAL&RUBBER	504171	1	
4	GEAR MOTOR MR-63/24.5/1.1-1400/K3/V6	509437-UL	1	
5	BRACKET, ELECTRIC BOX	585489-1	1	
6	ELECTRIC BOX, CR6-P	584910-UL	1	
7	HANDLE, OHB S2A1 ABB SWITCH	502312-1	1	
8	BUTTON, EMERGENCY STOP	502315	1	
9	WASHER, ZBY9330 EMERGENCY STOP BUTTON	086561	1	
10	LIGHT, 1SFA619402L5415 WHITE CONTROL	509129	1	
-	BOX, CR6-P CONTROL	536925	1	
11	STAND, CONTROL PANEL	519218-1	1	
12	HOUSING M22-I3	087928	1	
13	BAR, REAR MOUNT	506186-1	2	
14	WASHER, 8.4 FLAT ZINC	F81054-1	8	
15	NUT, M8-8-B HEX NYLON ZINC LOCK	F81032-2	4	
16	BOLT, M8X100-8.8 HEX HEAD ZINC	F81002-23	4	
17	SENSOR, BES M12MG-PSC80F-S04G INDUCTIVE	093168	1	
18	CABLE, 5M SAFETY SWITCH	087652	2	

¹ Included in CR6-3.6CU-P, CR6-5.4CU-P

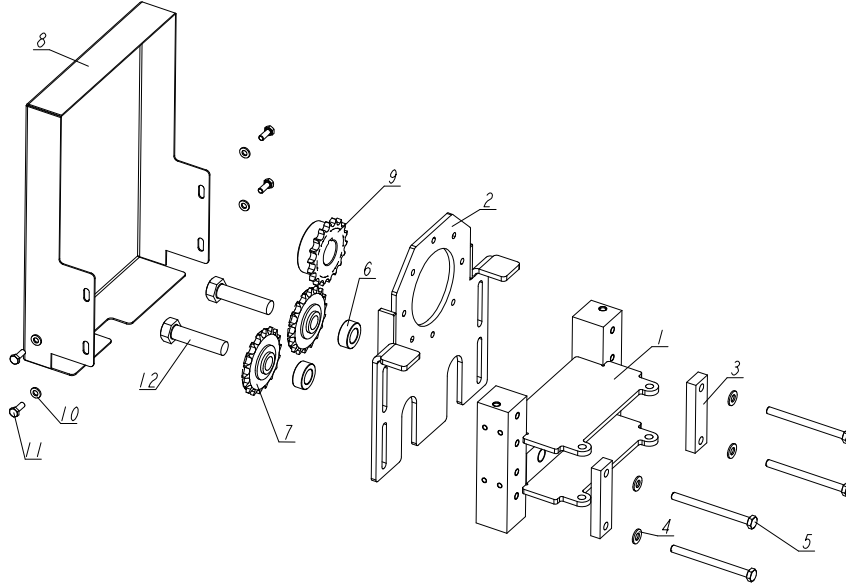
6.44 Chain, CR6-3.6



REF.	DESCRIPTION (* indicates parts available in assemblies only)	PART #	QTY
-	CHAIN, 12B-1 CR6-3.6 12,1M 635 LINKS	584637	1

6.45 Roller Table Drive Assembly

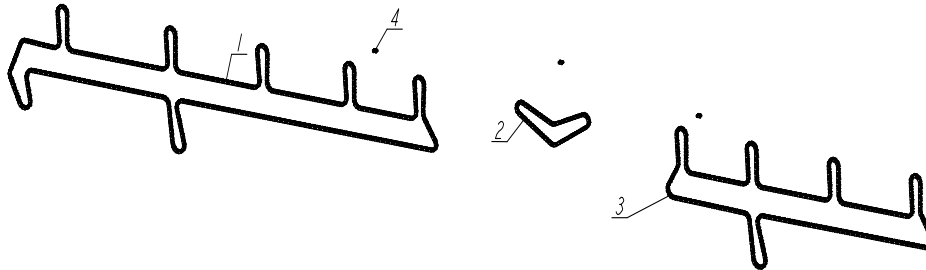
584621_001
 584621_MANUAL



REF.	DESCRIPTION (* indicates parts available in assemblies only)	PART #	QTY
-	ROLLER TABLE DRIVE ASSEMBLY	584621	1
1	MOUNT WELDMENT, CONVEYOR DRIVE	506184-1	1
2	BRACKET WELDMENT, REDUCER MOUNT	506020-1	1
3	BAR, REAR MOUNT	506186-1	2
4	WASHER, 8.4 FLAT ZINC	F81054-1	4
5	BOLT, M8X100-8.8 HEX HEAD ZINC	F81002-23	4
6	WASHER, N17XN30X12 SPECIAL ZINC-PLATED	506003	2
7	SPROCKET, IDLER Z=18 KSR16.L0.08.10.18.0	088700	2
8	GUARD, CONVEYOR DRIVE	507944-1	1
9	WHEEL, 18Z08BN28 (T64991+T31039) TOOTHED	506325	1
10	WASHER, 6.4 FLAT ZINC	F81053-1	4
11	BOLT, M6X16-5.8 HEX HEAD FULL THREAD ZIN	F81001-15	4
12	BOLT, M16X65-8.8-B HEX HEAD FULL THREAD	F81006-1	2

6.46 Chain Set, CR6-5.4

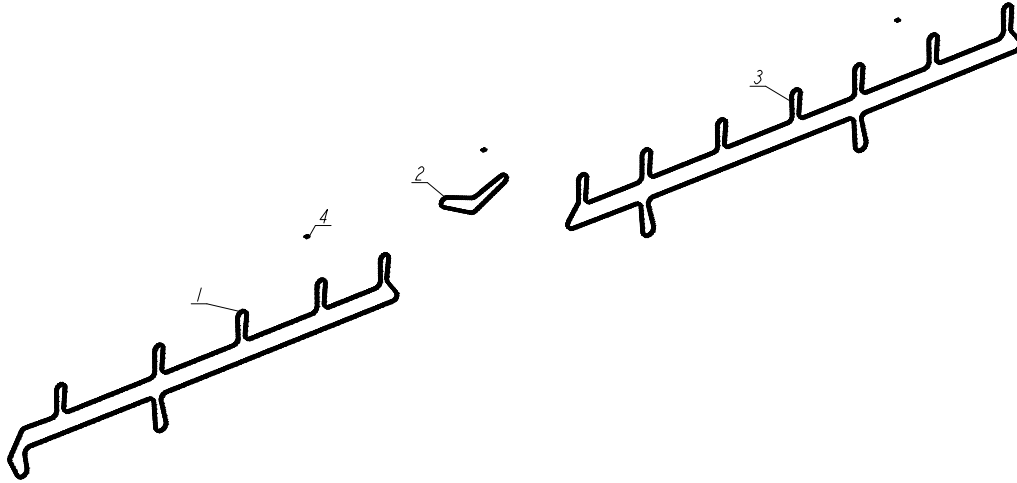
589818_001
589818_MANUAL



REF.	DESCRIPTION (* indicates parts available in assemblies only)	PART #	QTY	
-	CHAIN SET, CR6-5.4	589818	1	
1	CHAIN, 12B-1 CR6-3.6 12.1M 635 LINKS	584637	1	
2	CHAIN, 12B-1, L=1581, 83 LINKS	561659	1	
3	CHAIN, CR6-1.8	584638	1	
4	LINK, 12B-1PZ MASTER	090713	3	

6.47 Chain Set, CR6-7.2

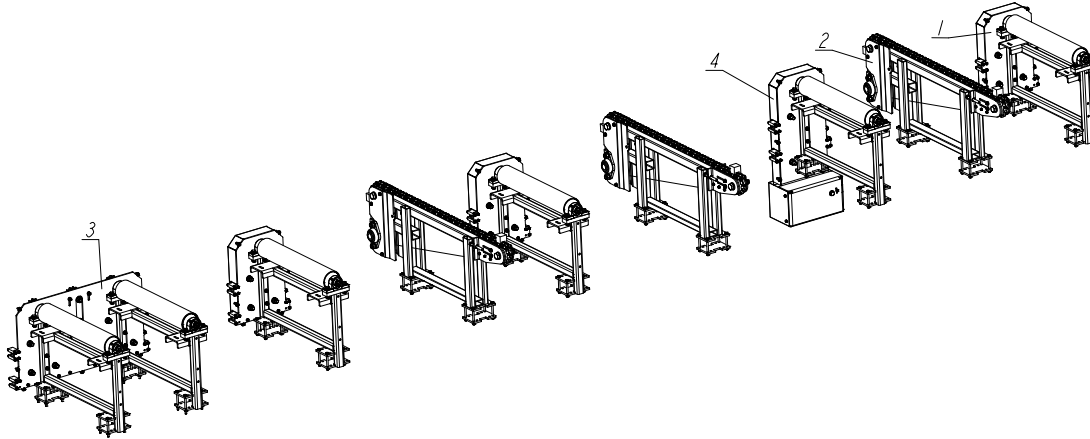
589820_001
589820_MANUAL



REF.	DESCRIPTION (* indicates parts available in assemblies only)	PART #	QTY	
-	CHAIN SET, CR6-7.2	589820	1	
1	CHAIN, 12B-1 CR6-3.6 12.1M 635 LINKS	584637	1	
2	CHAIN, 12B-1, L=1581, 83 LINKS	561659	1	
3	CHAIN, 2XCR6-EXT L=12205 641 LINKS	589819	1	
4	LINK, 12B-1PZ MASTER	090713	3	

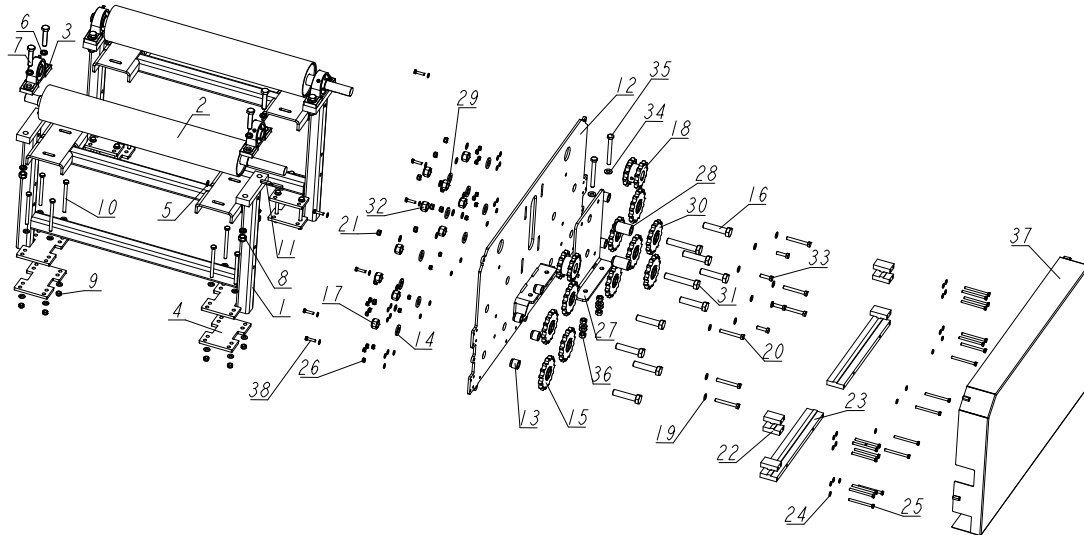
6.48 Roller Set with Directional Chain

589817_001
589817_MANUAL



REF.	DESCRIPTION (* indicates parts available in assemblies only)	PART #	QTY	
-	ROLLER SET WITH DIRECTIONAL CHAIN, CR6-5.4	589817	1	
1	CR6 TABLE ROLLER MODULE (12B-1 CHAIN) See Section 6.28	584630	3	
2	SIDE MOVEMENT DEVICE See Section 6.16	506027	3	
3	CR6 TABLE ROLLER MODULE (12B-1 CHAIN) See Section 6.49	584636	1	
4	CR6 TABLE ROLLER MODULE WITH DRIVE (12B-1 CHAIN) See Section 6.35	584632	1	

6.49 CR6 Table Roller Module (12B-1 Chain)

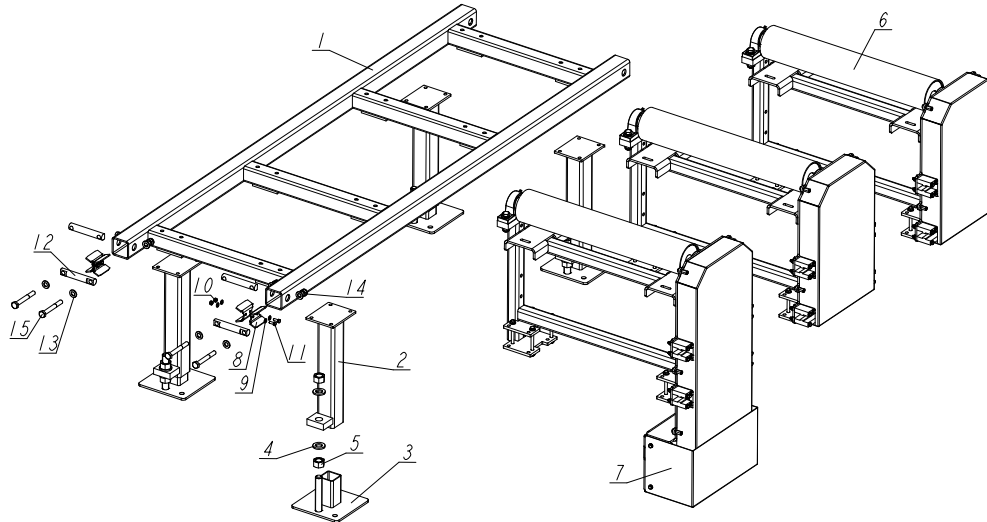
584636_001_PARTS
584636_MANUAL

REF.	DESCRIPTION (* indicates parts available in assemblies only)	PART #	QTY
-	CR6 TABLE ROLLER MODULE (12B-1 CHAIN)	584636	1
-	MIDDLE TABLE ROLLER MODULE - COMPLETE	561656	2
1	MOUNT WELDMENT, TABLE ROLLER	506030-1	1
-	ROLLER ASSEMBLY, N101.6X600 - COMPLETE	561655	1
2	ROLLER WELDMENT, N101.6X600	561653-1	1
3	BEARING ASSEMBLY, UCP 205CX	088468	2
4	PLATE, MOUNTING	506028-1	2
5	WASHER, 8.4 FLAT ZINC	F81054-1	17
6	WASHER, Z12.2 SPLIT LOCK ZINC	F81056-2	8
7	BOLT, M12X55-8.8 HEX HEAD FULL THREAD ZI	F81004-43	4
8	NUT, M12 8 HEX NYLON ZINC LOCK	F81034-2	4
9	NUT, M8-8-B HEX NYLON ZINC LOCK	F81032-2	8
10	BOLT, M8X100-8.8 HEX HEAD ZINC	F81002-23	8
11	KEY, A8X5X32 PARALLEL	515811	2
-	DRIVE TRANSMISSION ASSEMBLY	556426	1
12	SPROCKET MOUNTING PLATE	556429-1	1
13	BUSHING, 16.5/22-22 KOLN 25-17	560174-1	8
14	WASHER, 17 SPLIT LOCK ZINC	F81058-1	8
15	SPROCKET, Z=15 12B-1 (T18434)	560179	8
16	BOLT, M16X70 HEX HEAD ZINC	F81006-16	8
17	NUT, M16-8-HEX NYLON ZINC LOCK	F81036-2	8
18	SPROCKET, Z=12 (HABERKORN 554607)	561651-1	2
19	WASHER, 8.4 FLAT ZINC	F81054-1	20
20	BOLT, M8X65-5.8 HEX HEAD ZINC	F81002-3	6
21	NUT, M8-8-B HEX NYLON ZINC LOCK	F81032-2	10
22	GUIDE, 12B-1 CHAIN	561649	6
23	GUIDE, 12B-1 CHAIN LONG	560181	2
24	WASHER, 6.4 FLAT ZINC	F81053-1	47

REF.	DESCRIPTION (* indicates parts available in assemblies only)	PART #	QTY
25	BOLT, M6X70 8.8 HEX HEAD FULL THREAD ZIN	F81001-63	20
26	NUT, M6-8-B HEX NYLON ZINC LOCK	F81031-2	20
-	TENSIONER, ZPN	556430	1
27	TENSIONING PLATE, ZPN	561662-1	1
28	DISTANCE BOLT	556431	2
29	WASHER, 17 SPLIT LOCK ZINC	F81058-1	2
30	SPROCKET, Z=15 12B-1 (T18434)	560179	2
31	BOLT, M16 X 90-8.8 HEX HEAD ZINC	F81006-17	2
32	NUT, M16-8-HEX NYLON ZINC LOCK	F81036-2	2
33	BOLT, M8X30-5.8-B HEX HEAD FULL THREAD Z	F81002-2	4
34	WASHER, 10.5 FLAT ZINC	F81055-1	6
35	BOLT, M10X90-8.8 HEX HEAD FULL THREAD ZI	F81003-90	2
36	NUT, M10-8-B-HEX ZINC	F81033-3	4
37	COVER, ROLLER DRIVE	556432-1	1
38	BOLT, M6X25-5.8 HEX HEAD FULL THREAD ZIN	F81001-3	7

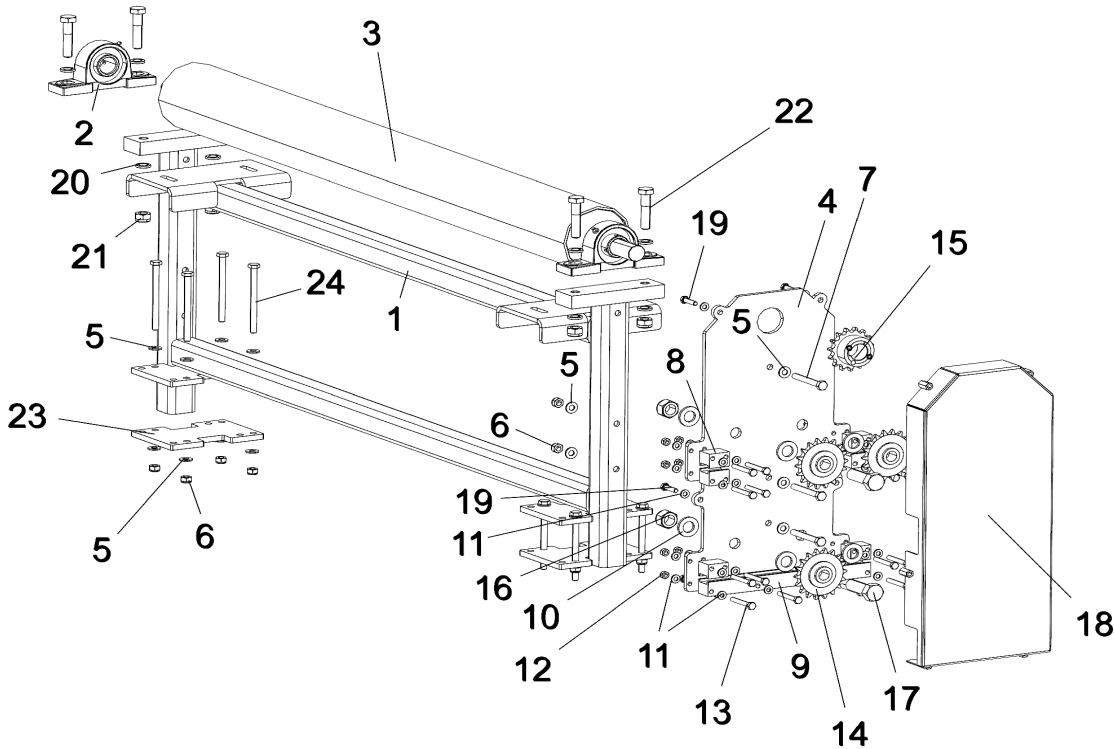
6.50 Conveyor - EXT Module

CR6-EXT_001
 CR6-EXT_MANUAL



REF.	DESCRIPTION (* indicates parts available in assemblies only)	PART #	QTY	
-	CONVEYOR - EXT MODULE	CR6-EXT	1	
1	FRAME WELDMENT, ROLLER CONVEYOR	506014-1	1	
-	COMPLETE SHORT LEG	506018	4	
2	LEG WELDMENT, SHORT	506017-1	1	
3	FOOT, LES TABLE LEG	099281-1	1	
4	WASHER, 21 FLAT ZINC	F81059-2	2	
5	NUT, M20-8-FE/ZN5 PN-86/M-82144	F81037-1	2	
6	CR6 TABLE ROLLER MODULE (12B-1 CHAIN) See Section 6.28	584630	2	
7	CR6 TABLE ROLLER MODULE WITH DRIVE (12B-1 CHAIN) See Section 6.35	584632	1	
-	PLATE ASSEMBLY, SEGMENT CONNECTION	508365	2	
8	PLATE, SEGMENT CONNECTION	508364-1	2	
9	WASHER, 6.4 FLAT ZINC	F81053-1	4	
10	NUT, M6-8-B HEX NYLON ZINC LOCK	F81031-2	2	
11	BOLT, M6X16-5.8 HEX HEAD FULL THREAD ZIN	F81001-15	2	
12	PIN, SEGMENT CONNECTION	508366-1	4	
13	WASHER, 13 FLAT ZINC	F81056-1	8	
14	NUT, M12 8 HEX NYLON ZINC LOCK	F81034-2	3	
15	BOLT, M12X95 -8.8- HEX HEAD ZINC-PLATED	F81004-29	4	

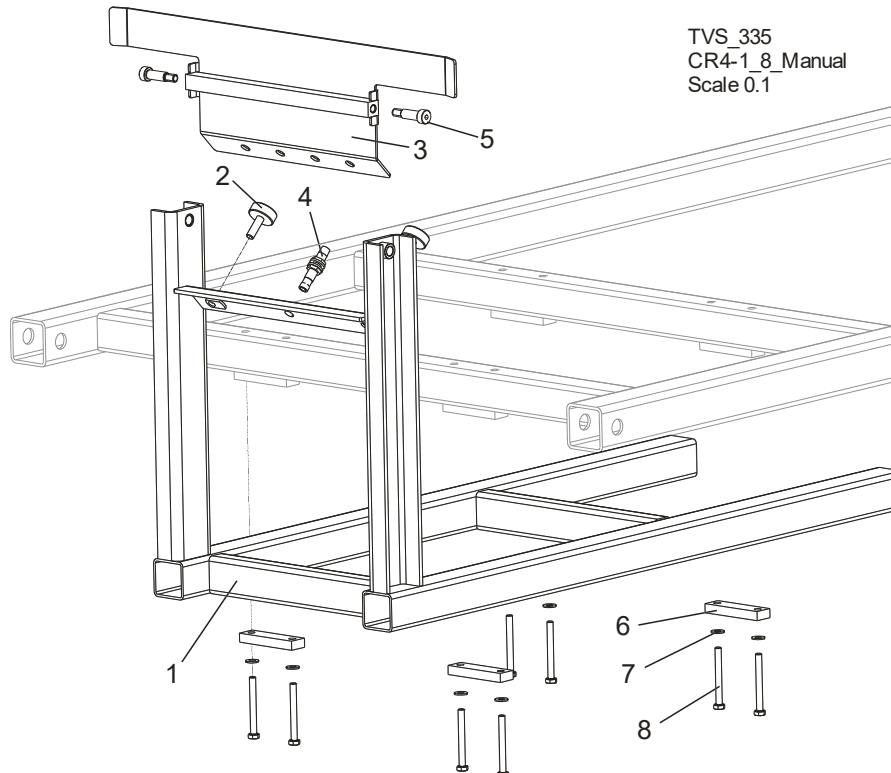
6.51 Medium Roller Assembly. 507896



REF	DESCRIPTION (◆ indicates parts available in assemblies only)	PART #	QTY
	MEDIUM ROLLER ASSEMBLY(1M)	507896	1
1	MOUNT WELDMENT, CONVEYOR ROLLER	507895-1	1
2	BEARING ASSEMBLY, UCP205 CX	088468	2
3	ROLLER WELDMENT, 101.6X1000	507893-1	1
4	PLATE, SPROCKET MOUNT	506019-1	1
5	WASHER, 8.4 FLAT ZINC	F81054-1	22
6	NUT, M8-8-B HEX NYLON ZINC LOCK	F81032-2	11
7	BOLT, M8X65-5.8 ZINC HEX HEAD	F81002-3	3
8	GUIDE, 08B CONVEYOR CHAIN	507925	6
9	GUIDE, 08B CONVEYOR CHAIN	507939	1
10	WASHER, 17 FLAT ZINC	F81058-1	6
11	WASHER, 6.4 FLAT ZINC	F81053-1	38
12	NUT, M6-8-B HEX NYLON ZINC LOCK	F81031-2	16
13	BOLT, M6X40-8.8 HEX HEAD FULL THREAD ZIN	F81001-5	16
14	SPROCKET, IDLER Z=18 KSR16.L0.08.10.18.0	088700	3
15	SPROCKET, Z15 08B T43979+T31015	507924	1
16	NUT, M16-8 HEX NYLON ZINC LOCK	F81036-2	3
17	BOLT, M16 X 50-8.8 HEX HEAD	F81006-7	3
18	GUARD WELDMENT, ROLLER DRIVE	508367-1	1
19	BOLT, M6X25-8.8 HEX HEAD FULL THREAD ZIN	F81001-3	6
20	WASHER, 12.2 SPLIT LOCK	F81056-2	8
21	NUT, M12 8 HEX NYLON ZINC LOCK	F81034-2	4

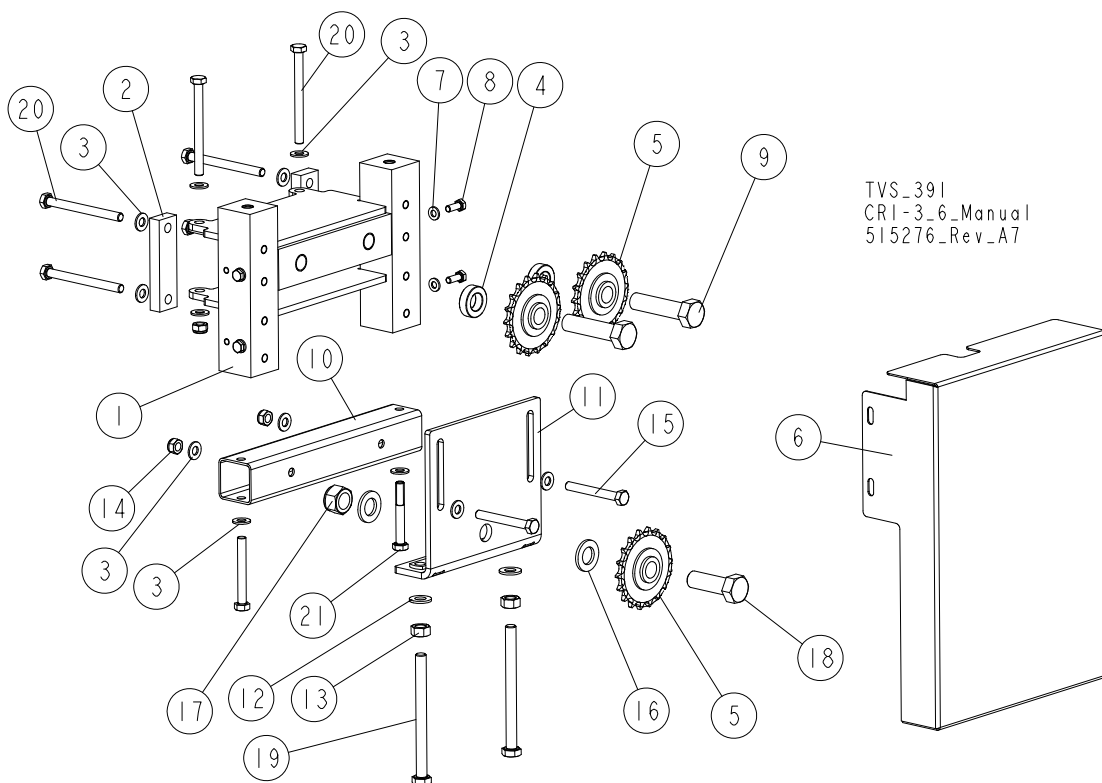
22	BOLT, M12x55 8.8 HEX HEAD ZINC	F81004-43	4	
23	PLATE, MOUNTING	506028-1	2	
24	BOLT, M8X90-8.8 HEX HEAD FULL THREAD	F81002-16	8	

6.52 Activator Plate Assembly. 506320



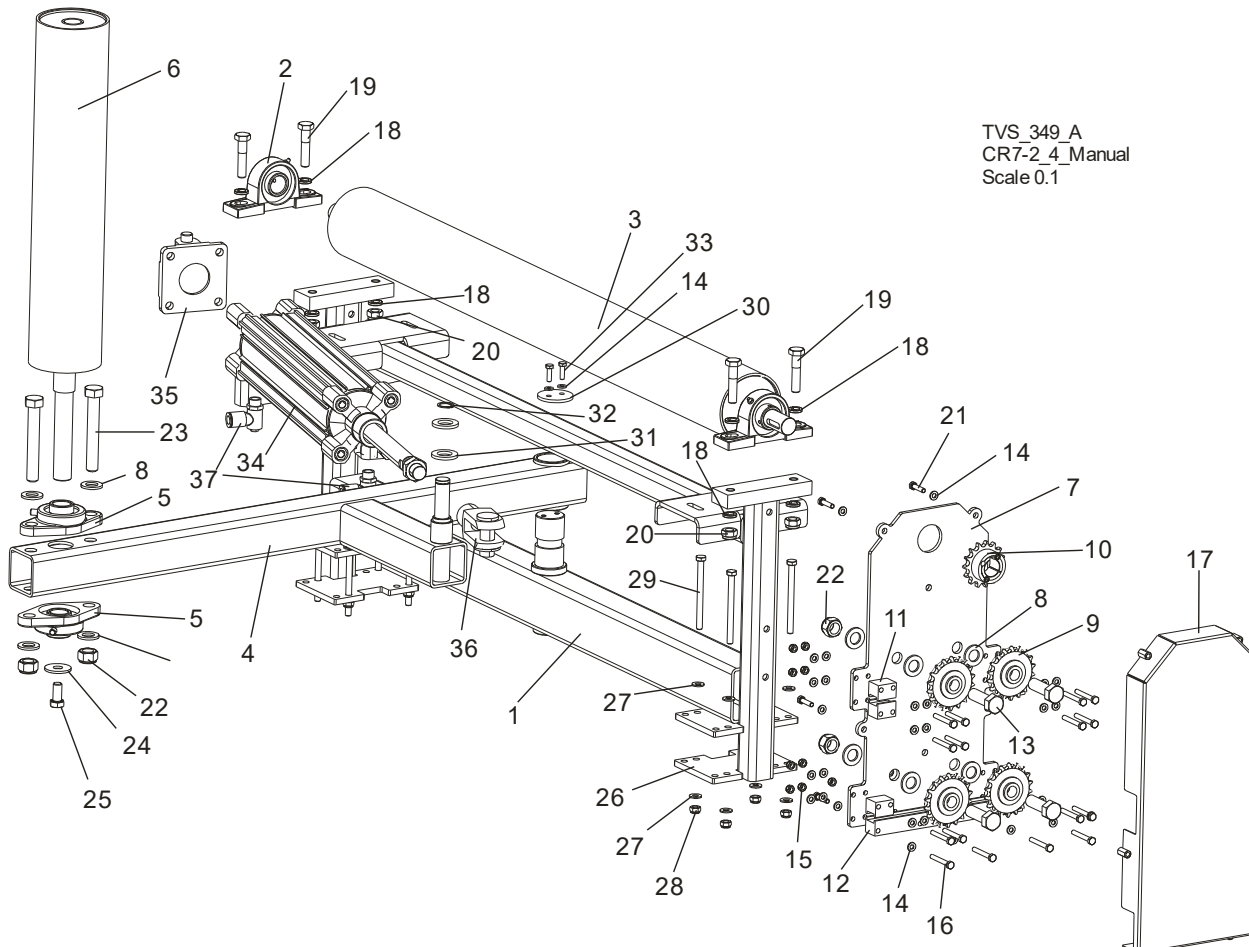
REF	DESCRIPTION (◆ indicates parts available in assemblies only)	PART #	QTY
	ACTIVATOR PLATE ASSEMBLY	506320	1
1	MOUNT WELDMENT, ACTIVATOR PLATE	506319-1	1
2	BUMPER	092839	2
3	PLATE WELDMENT, SWING	506318-1	1
4	SENSOR, BES M12MG-POC80F-S04G INDUCTIVE PROXIMITY	507257	1
5	SCREW, 12/M10X30 12.9 ISO 7379 SOCKET HE	F81003-70	2
6	BAR, REAR MOUNTING	506186-1	4
7	WASHER, 8.4 FLAT ZINC	F81054-1	8
8	BOLT, M8X75-8.8 HEX HEAD ZINC	F81002-91	8

6.53 Chain Tensioner Assembly. 515276



REF	DESCRIPTION (◆ indicates parts available in assemblies only)	PART #	QTY
	CHAIN TENSIONER ASSEMBLY	515276	1
1	MOUNT WELDMENT, CONVEYOR DRIVE	506184-1	1
2	BAR, REAR MOUNTING	506186-1	2
3	WASHER, 8.4 FLAT ZINC	F81054-1	14
4	BUSHING, 17/30-9 ZINC-PLATED	506003-1	2
5	SPROCKET, IDLER Z=18 KSR16.L0.08.10.18.0	088700	3
6	GUARD, CONVEYOR DRIVE	507944-1	1
7	WASHER, 6.4 FLAT ZINC	F81053-1	4
8	BOLT, M6X16 8.8 HEX HEAD FULL THREAD ZIN	F81001-15	4
9	BOLT, M16X65-8.8 HEX HEAD FULL THREAD ZINC	F81006-1	2
10	TUBE, CHAIN TENSIONER - HORIZONTAL	515281-1	1
11	PLATE WELDMENT, CHAIN TENSIONER	505966-1	1
12	WASHER, 10.5 FLAT ZINC	F81055-1	2
13	NUT, M10-8-B-HEX ZINC	F81033-3	2
14	NUT, M8-8-B HEX NYLON ZINC LOCK	F81032-2	4
15	BOLT, M8X65-5.8 ZINC HEX HEAD	F81002-3	3
16	WASHER, 17 FLAT ZINC	F81058-1	2
17	NUT, M16-8 HEX NYLON ZINC LOCK	F81036-2	1
18	BOLT, M16 X 50-8.8 HEX HEAD	F81006-7	1
19	BOLT, M10X120 8.8 HEX HEAD FULL THREAD Z	F81003-47	2
20	BOLT, M8X90-8.8 HEX HEAD FULL THREAD ZINC	F81002-16	6
21	SCREW M8X60 HH ZC 8.8 PT DIN 931	F81002-54	1

6.54 Side Positioning System. 508491

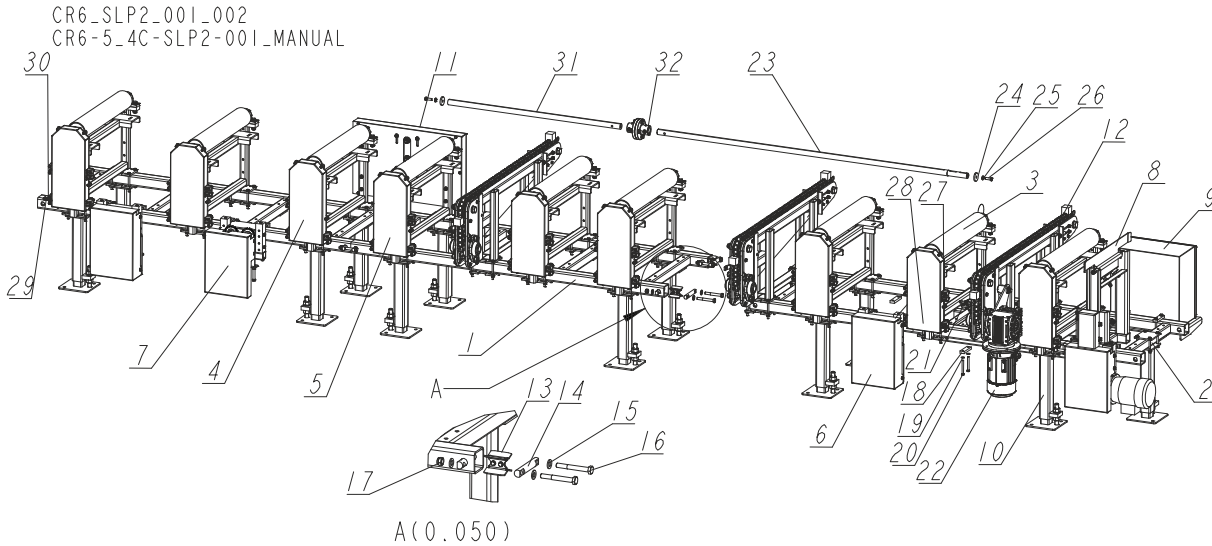


REF	DESCRIPTION (◆ indicates parts available in assemblies only)	PART #	QTY
	SIDE POSITIONING SYSTEM - COMPLETE	508491	1
1	MOUNT WELDMENT, ROLLER ARM	508490-1	1
2	BEARING ASSEMBLY, UCP205 CX	088468	2
3	ROLLER WELDMENT, 101.6X1000	507893-1	1
	ROLLER ARM ASSEMBLY	508495	1
4	ARM WELDMENT, ROLLER	508494-1	1
5	BEARING, UCFL205, (COMPLEX). W/HOUSING	089124	2
6	ROLLER, CENTRING	507903-1	1
7	PLATE, SPROCKET MOUNT	506019-1	1
8	WASHER, 17 FLAT ZINC	F81058-1	12
9	SPROCKET, IDLER Z=18 KSR16.L0.08.10.18.0	088700	4
10	SPROCKET, Z15 08B T43979+T31015	507924	1
11	GUIDE, 08B CONVEYOR CHAIN	507925	6
12	GUIDE, 08B CONVEYOR CHAIN	507939	1
13	BOLT, M16 X 50-8.8 HEX HEAD	F81006-7	4
14	WASHER, 6.4 FLAT ZINC	F81053-1	40
15	NUT, M6-8-B HEX NYLON ZINC LOCK	F81031-2	18
16	BOLT, M6X40-8.8 HEX HEAD FULL THREAD ZIN	F81001-5	16
17	GUARD WELDMENT, ROLLER DRIVE	508367-1	1
18	WASHER, 12.2 SPLIT LOCK	F81056-2	8

19	BOLT, M12X55 8.8 HEX HEAD ZINC	F81004-43	4	
20	NUT, M12 8 HEX NYLON ZINC LOCK	F81034-2	4	
21	BOLT, M6X25-8.8 HEX HEAD FULL THREAD ZIN	F81001-3	6	
22	NUT, M16-8 HEX NYLON ZINC LOCK	F81036-2	6	
23	BOLT, M16X110-8.8-B HEX HEAD ZINC	F81006-24	2	
24	WASHER, 13 SPECIAL FLAT ZINC	F81056-14	1	
25	BOLT, M12x25-8.8 HEX HEAD FULL THREAD ZINC	F81004-31	1	
26	PLATE, MOUNTING	506028-1	2	
27	WASHER, 8.4 FLAT ZINC	F81054-1	16	
28	NUT, M8-8-B HEX NYLON ZINC LOCK	F81032-2	8	
29	BOLT, M8X90-8.8 HEX HEAD FULL THREAD	F81002-16	8	
30	WASHER, FI 50 SPECIAL	516130-1	1	
31	WASHER, 21 FLAT ZINC	F81059-2	2	
32	RING, SNAP Z20	F81090-27	1	
33	BOLT, M6X20-8.8 HEX HEAD FULL THREAD ZIN	F81001-2	2	
	CYLINDER, CP96 PNEUMATIC	511061	1	
34	CYLINDER, PNEUMATIC	511638	1	
35	CLEVIS, D5080(F) DOUBLE (SMC)	511062	1	
36	JOINT, GKM20-40 DOUBLE KNUCKLE (SMC)	511060	1	
37	VALVE, AS320IF-03-10S FLOW CONTROL	511070	2	

SECTION 7 ROLLER CONVEYOR W/SIDE MOVEMENT DEVICE, CR6-5_4C-P-SLP2-001

7.1 Roller Conveyor



REF	DESCRIPTION (◆ indicates parts available in assemblies only)	PART #	QTY
-	ROLLER CONVEYOR	CR6-5_4C-P-SLP2-001	1
1	FRAME WELDMENT, ROLLER CONVEYOR	506014-1	3
2	EXTENSION DRIVE MODULE See Section 6.3	526232	1
3	ROLLER ASSEMBLY, ROLLER CONVEYOR See Section 6.7	526239	7
4	ROLLER MODULE, CONNECTION See Section 6.7	526241	1
5	ROLLER MODULE, CONNECTION See Section 6.7	526228	1
6	AUTOMATIC TENSIONER ASSEMBLY See Section 7.2	517578	2
7	CHAIN TENSIONER ASSEMBLY See Section 6.53	515276	1
8	ACTIVATOR PLATE ASSEMBLY See Section 6.52	506320	1
9	PLATE ASSEMBLY, SLP2-001 ELECTRICAL BOX MOUNT See Section 7.5	526233	1
10	COMPLETE SHORT LEG See Section 6.4	506018	12
11	DRIVETRAIN See Section 7.6	526222	1
12	SIDE MOVEMENT DEVICE See Section 6.16	506027	3
13	PLATE ASSEMBLY, SEGMENT CONNECTION SEE S See Section 7.4	508365	4
14	PIN, SEGMENT CONNECTION	508366-1	8
15	WASHER, 13 FLAT ZINC	F81056-1	16
16	BOLT, M12X95 8.8 HEX HEAD ZINC	F81004-29	8
17	NUT, M12 8 HEX NYLON ZINC LOCK	F81034-2	8
18	BAR, REAR MOUNT	506186-1	4
19	WASHER, 8.4 FLAT ZINC	F81054-1	8
20	BOLT, M8X75-8.8 HEX HEAD ZINC	F81002-91	8
21	SENSOR, BES M12MG-PSC80F-S04G INDUCTIVE	093168	1
22	SIDE MOVEMENT DEVICE DRIVE ASSEMBLY See Section 7.7	508619-SLP2-001	1
23	SHAFT, SLP2-001 SIDE MOVEMENT DEVICE	526213	1
24	WASHER, 10.5/45-6 ZINC-PLATED	086286-1	2

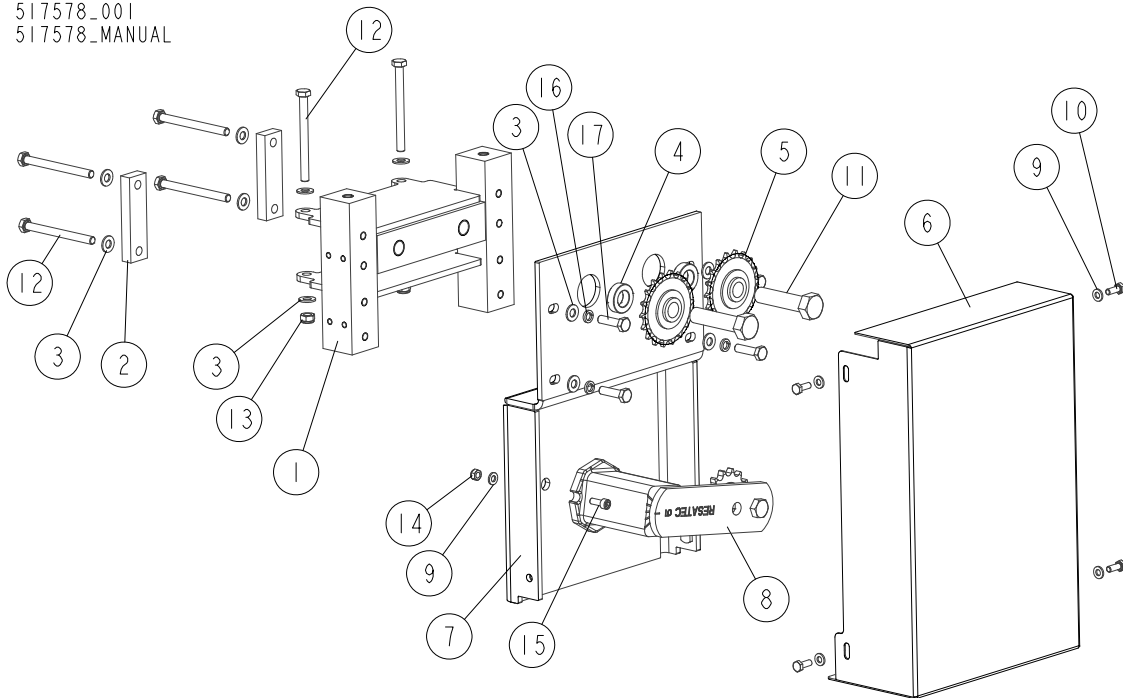
7

Roller Conveyor w/Side Movement Device, CR6-5_4C-P-SLP2-001
Roller Conveyor

REF	DESCRIPTION (◆ indicates parts available in assemblies only)	PART #	QTY	
25	WASHER, 12.2 SPLIT LOCK	F81056-2	2	
26	BOLT, M10X30-8.8 HEX HEAD FULL THREAD ZI	F81003-2	2	
-	CHAIN, ROLLER CONVEYOR MODULE 1 - COMPLETE	526578	1	
27	CHAIN, 08B-1	526577	1	
28	LINK, 08B-1 (1/2" X 5/16") W/COTTER PI	523673	1	
-	CHAIN, ROLLER CONVEYOR MODULE 2 - COMPLETE	526580	1	
29	CHAIN, 08B-1	526579	1	
30	LINK, 08B-1 (1/2" X 5/16") W/COTTER PI	523673	1	
31	SHAFT, SLP2-001 SIDE MOVEMENT DEVICE	526669	1	
32	COUPLING See Section 7.8	526673	1	

7.2 Automatic Tensioner Assembly

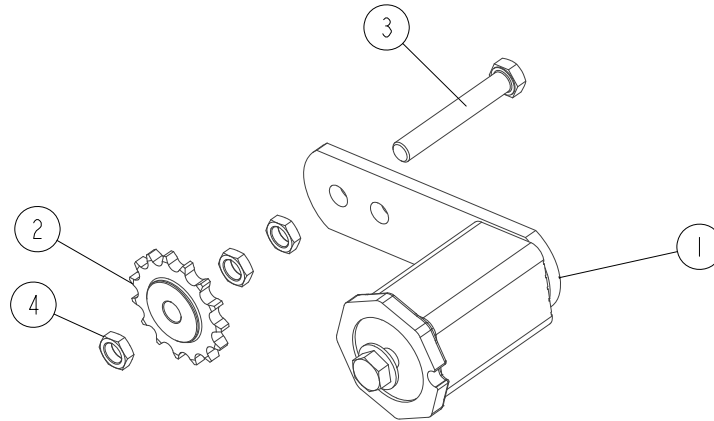
517578_001
517578_MANUAL



REF	DESCRIPTION (◆ indicates parts available in assemblies only)	PART #	QTY
-	AUTOMATIC TENSIONER ASSEMBLY	517578	1
1	MOUNT WELDMENT, CONVEYOR DRIVE	506184-1	1
2	BAR, REAR MOUNTING	506186-1	2
3	WASHER, 8.4 FLAT ZINC	F81054-1	12
4	BUSHING, 17/30-9 ZINC-PLATED	506003-1	2
5	SPROCKET, IDLER Z=18 KSR16.L0.08.10.18.0	088700	2
6	GUARD, TENSIONER	517582-1	1
7	PLATE, AUTOMATIC TENSIONER MOUNT - COMPLETE	517583-1	1
8	TENSIONER, 08B-1 TEKS 5 (T29422+N03875) See Section 7.3	517581	1
9	WASHER, 6.4 FLAT ZINC	F81053-1	5
10	BOLT, M6X16 8.8 HEX HEAD FULL THREAD ZIN	F81001-15	4
11	BOLT, M16X65-8.8 HEX HEAD FULL THREAD	F81006-1	2
12	BOLT, M8X90-8.8 HEX HEAD FULL THREAD ZINC	F81002-16	6
13	NUT, M8-8-B HEX NYLON ZINC LOCK	F81032-2	2
14	NUT, M6-8-B HEX NYLON ZINC LOCK	F81031-2	1
15	SCREW, M6X16-8.8 HEX SOCKET HEAD CAP ZIN	F81001-21	1
16	WASHER, 8.2 SPLIT LOCK ZINC	F81054-4	4
17	BOLT, M8X30 8.8 HEX HEAD FULL THREAD ZINC	F81002-7	4

7.3 Chain Tensioner

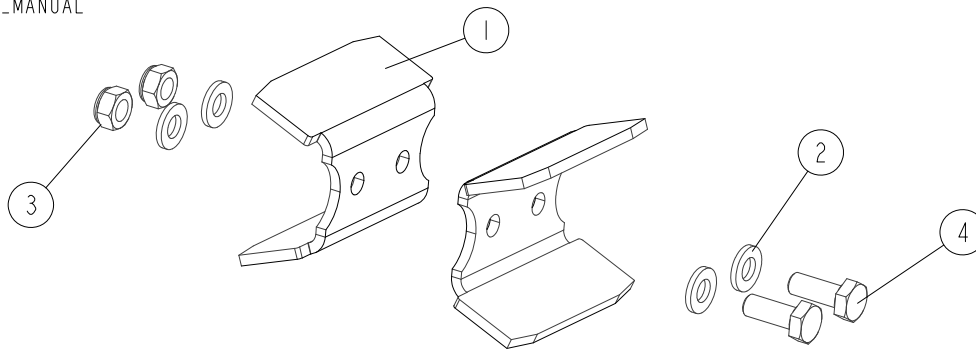
517581_001
 517581_MANUAL



REF	DESCRIPTION (◆ indicates parts available in assemblies only)	PART #	QTY	
-	TENSIONER, 08B-1 TEKS 5 (T29422+N03875) CHAIN	517581	1	
1	TENSIONER, TE5 (T29422) CHAIN	517579	1	
-	SPROCKET, KS 1/2X5/16-12S (N03875)	517580	1	
2	SPROCKET, KS 1/2X5/16 Z15	517580-K	1	
3	BOLT, M12X80-8.8 HEX HEAD ZINC	F81004-46	1	
4	NUT, M12-04-A RIGHT HEX THIN	F81034-6	3	

7.4 Plate Assembly, Segment Connection

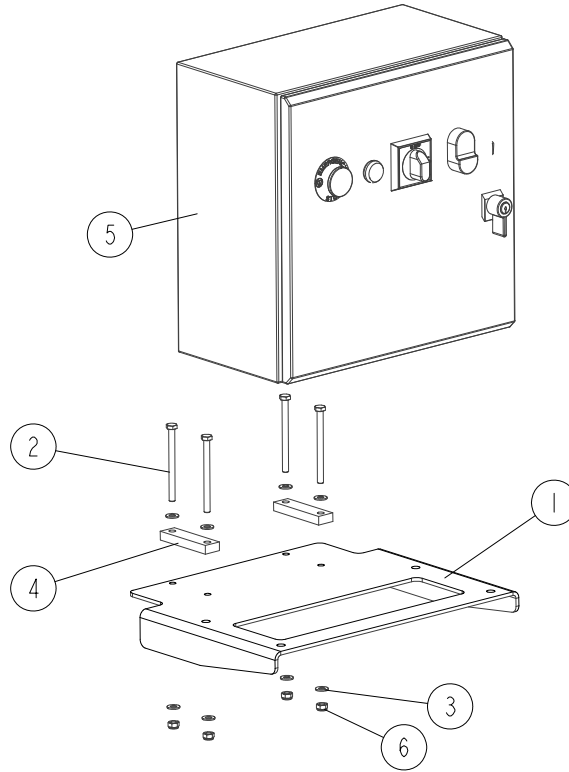
508365_001
 508365_MANUAL



REF	DESCRIPTION (◆ indicates parts available in assemblies only)	PART #	QTY
-	PLATE ASSEMBLY, SEGMENT CONNECTION SEE S	508365	1
1	PLATE, SEGMENT CONNECTION	508364-1	2
2	WASHER, 6.4 FLAT ZINC	F81053-1	4
3	NUT, M6-8-B HEX NYLON ZINC LOCK	F81031-2	2
4	BOLT, M6X16 8.8 HEX HEAD FULL THREAD ZIN	F81001-15	2

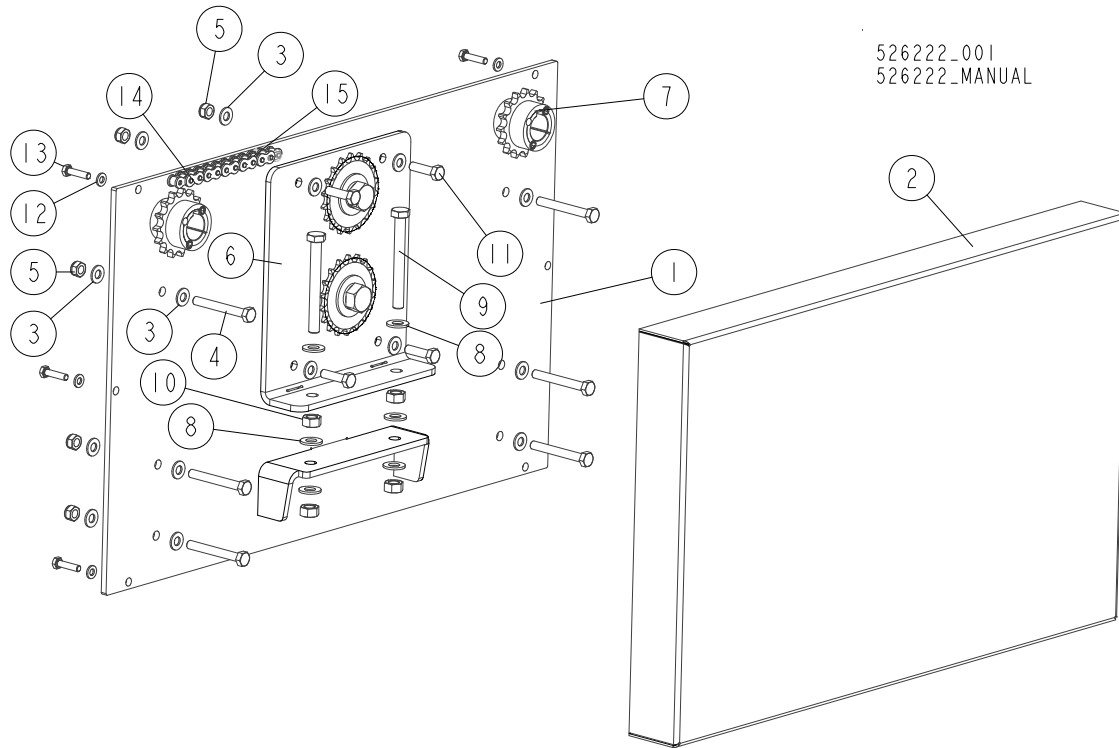
7.5 Electrical Box Mount Plate, SLP2-001

526233_001
 526233_MANUAL



REF	DESCRIPTION (◆ indicates parts available in assemblies only)	PART #	QTY	
-	PLATE ASSEMBLY, SLP2-001 ELECTRICAL BOX	526233	1	
1	PLATE, ELECTRIC BOX MOUNT	508607-1	1	
2	BOLT, M8X100-8.8 HEX HEAD ZINC	F81002-23	4	
3	WASHER, 8.4 FLAT ZINC	F81054-1	8	
4	BAR, REAR MOUNTING	506186-1	2	
5	BOX, CR6-P ELECTRICAL Patrz rozdział 6.18	514731	1	
6	NUT, M8-8-B HEX NYLON ZINC LOCK	F81032-2	4	

7.6 Drivetrain



REF	DESCRIPTION (◆ indicates parts available in assemblies only)	PART #	QTY
-	DRIVETRAIN	526222	1
-	DRIVETRAIN	526604	1
1	PLATE WELDMENT, DRIVETRAIN MOUNT	526225-1 ¹	1
	PLATE WELDMENT, DRIVETRAIN MOUNT	526605-1 ²	1
2	GUARD, DRIVETRAIN	526224-1 ¹	1
	GUARD, DRIVETRAIN	526606-1 ²	1
3	WASHER, 8.4 FLAT ZINC	F81054-1	20
4	BOLT, M8X65-5.8 ZINC HEX HEAD	F81002-3	6
5	NUT, M8-8-B HEX NYLON ZINC LOCK	F81032-2	10
6	TENSIONER, DRIVETRAIN	526226	1
7	SPROCKET, Z15 08B T43979+T31015	507924	2
8	WASHER, 10.5 FLAT ZINC	F81055-1	6
9	BOLT, M10X90-8.8 HEX HEAD FULL THREAD ZINC	F81003-90	2
10	NUT, M10-8-B-HEX ZINC	F81033-3	4
11	BOLT, M8X30-5.8-B HEX HEAD FULL THREAD Z	F81002-2	4
12	WASHER, 6.4 FLAT ZINC	F81053-1	6
13	BOLT, M6X25-8.8 HEX HEAD FULL THREAD ZINC	F81001-3	6
-	CHAIN, DRIVETRAIN COMPLETE	526250	1
-	CHAIN, DRIVETRAIN COMPLETE	526660	1
14	CHAIN, 08B-1(101-LINK LENGTH: 1282.7 MM)	526247 ³	1
	CHAIN, 08B-1(101-LINK LENGTH: 1282.7 MM)	526661 ⁴	1
15	LINK, 08B-1 (1/2" X 5/16") W/COTTER PI	523673	1



Roller Conveyor w/Side Movement Device, CR6-5_4C-P-SLP2-001

Drivetrain

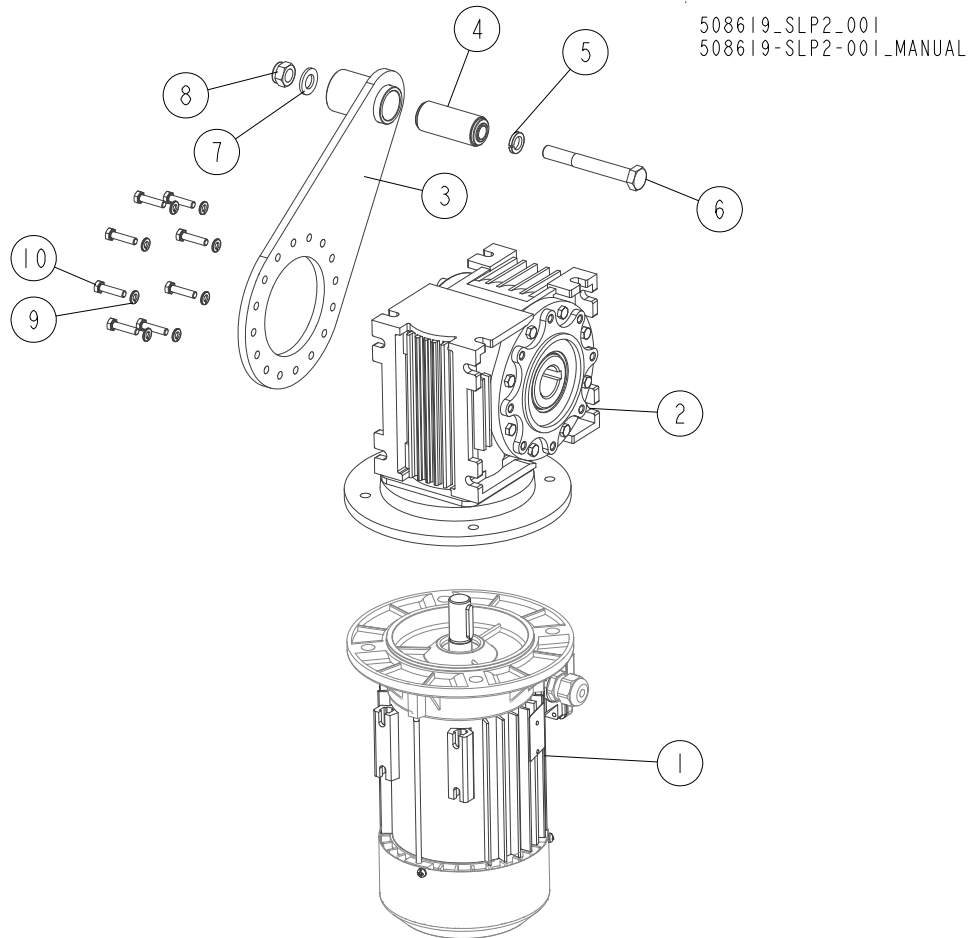
¹ Included in assy #526222

² Included in assy #526604

³ Included in assy #526250

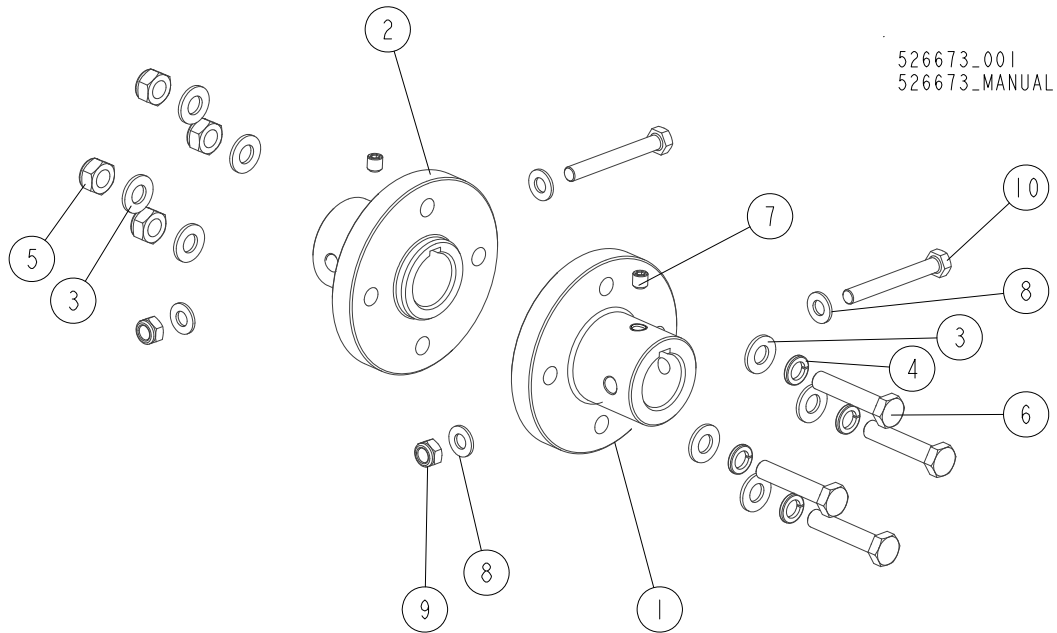
⁴ Included in assy #526660

7.7 Drive Assembly, Side Movement Device



REF	DESCRIPTION (◆ indicates parts available in assemblies only)	PART #	QTY
-	DRIVE ASSEMBLY, SIDE MOVEMENT DEVICE	508619-SLP2-001	1
-	MOTOREDUCER, MR-63/19.5[0.75-1400-200/19]V6	508619_	1
1	MOTOR, SH80-4B, 1400 R.P.M. / 0.75KW (PM=200 / DM=19)	526211-UL	1
2	GEAR UNIT, R-63, I=19.5 (PM=200 / DM = 19)	526212	1
-	ARM, MR-63 WM1000 TORQUE	504176	1
3	ARM WELDMENT, WM1000 TORQUE	504175-1	1
4	BUSHING, FI27XF12 L=66 METAL&RUBBER	504171	1
5	WASHER, 12.2 SPLIT LOCK	F81056-2	1
6	BOLT, M12X95 8.8 HEX HEAD ZINC	F81004-29	1
7	WASHER, 13 FLAT ZINC	F81056-1	1
8	NUT, M12 8 HEX NYLON ZINC LOCK	F81034-2	1
9	WASHER, 6.1 DIN 127 (A2-304) STAINLESS S	F81053-4	8
10	BOLT, M6X25-8.8 HEX HEAD FULL THREAD ZINC	F81001-3	8

7.8 Coupling

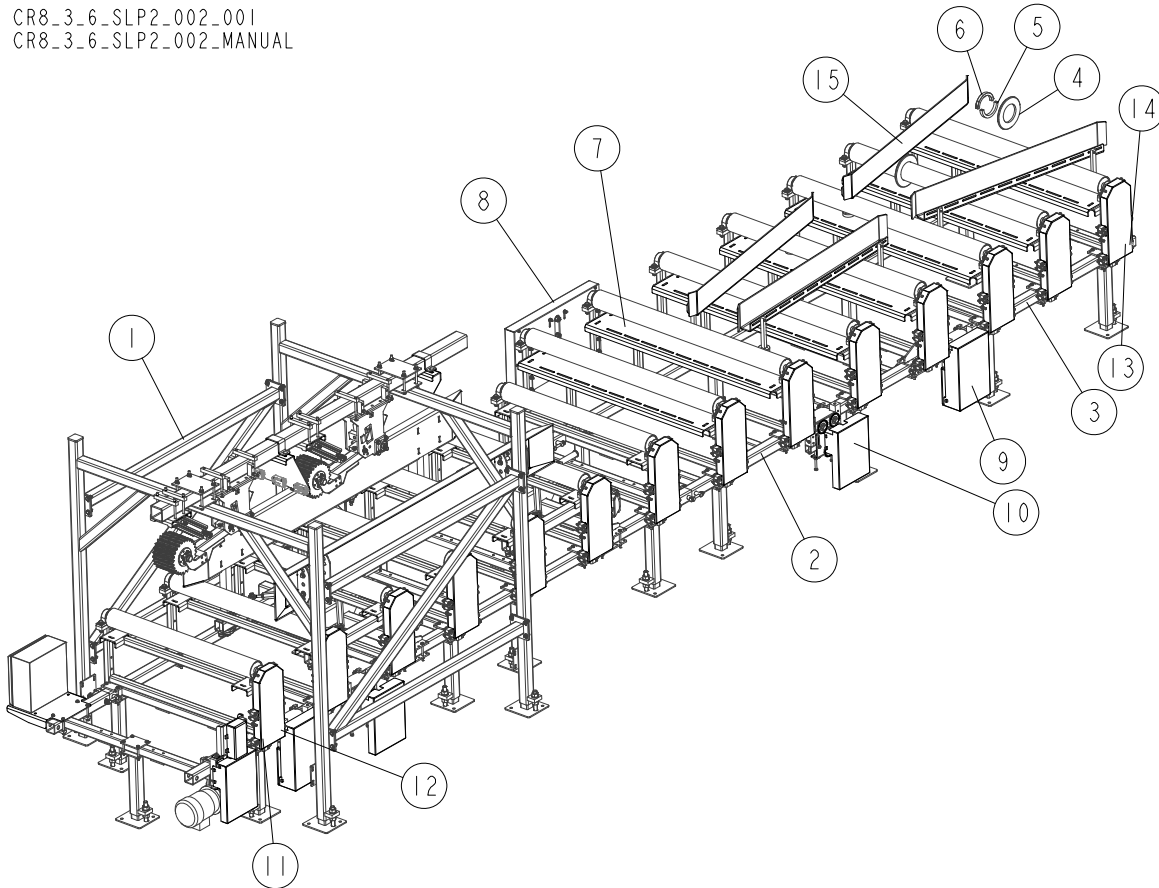


REF	DESCRIPTION (◆ indicates parts available in assemblies only)	PART #	QTY
-	COUPLING	526673	1
1	BUSHING, COUPLING	526670-1	1
2	BUSHING, COUPLING	526671-1	1
3	WASHER, 10.5 FLAT ZINC	F81055-1	8
4	WASHER, Z 10.2 SPLIT LOCK ZINC	F81055-2	4
5	NUT, M10-8-B HEX NYLON ZINC LOCK	F81033-1	4
6	BOLT, M10X50-8.8 HEX HEAD FULL THREAD ZINC	F81003-4	4
7	SCREW, M8 X 8-33H	F81014-1	2
8	WASHER, 8.4 FLAT ZINC	F81054-1	4
9	NUT, M8-8-B HEX NYLON ZINC LOCK	F81032-2	2
10	BOLT, M8X65-5.8 ZINC HEX HEAD	F81002-3	2

SECTION 8 CR8-3_6H-SLP2-002 CONVEYOR

8.1 Roller Conveyor w/Centering System

CR8_3_6_SLP2_002_001
CR8_3_6_SLP2_002_MANUAL



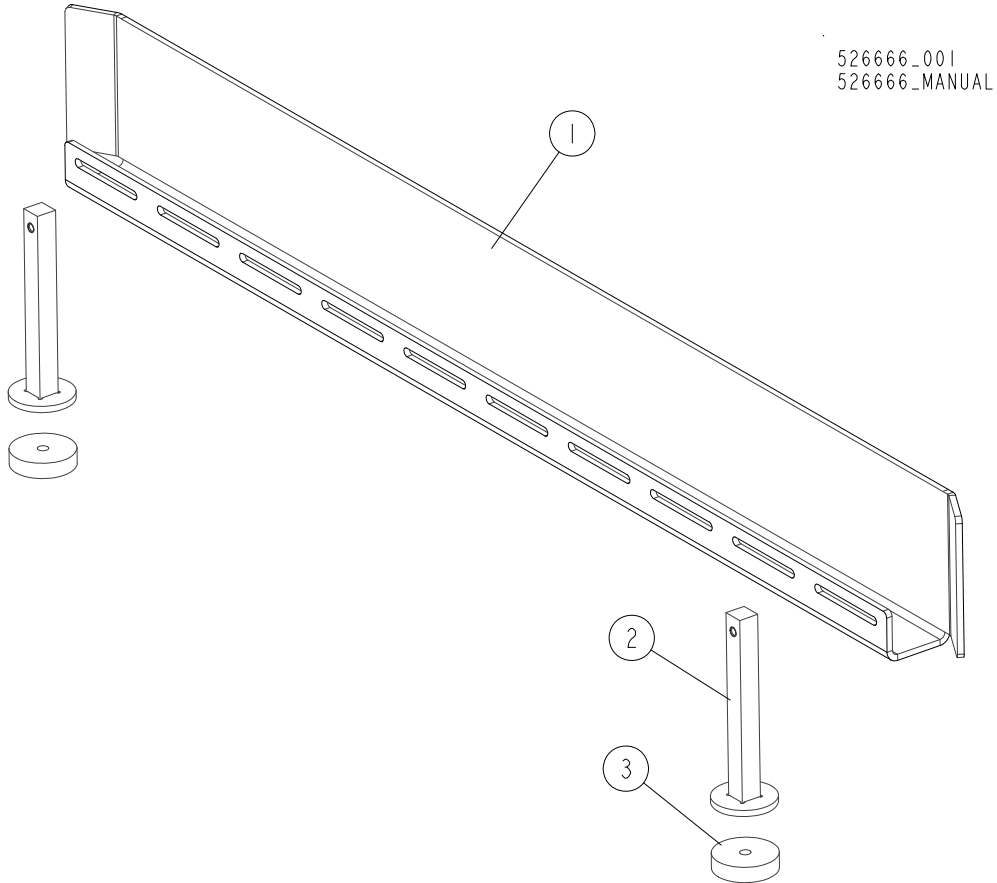
REF	DESCRIPTION (◆ indicates parts available in assemblies only)	PART #	QTY
-	ROLLER CONVEYOR W/CENTERING SYSTEM	CR8-3_6H-SLP2-002	1
1	ROLLER CONVEYOR W/CENTERING SYSTEM	CR4-3_6-SLP2-002	1
2	ROLLER CONVEYOR - MODULE 1 - SLP2-002 See Section 8.3	CR3_EXT-M1-SLP2-002	1
3	ROLLER CONVEYOR - MODULE 2 - SLP2-002 See Section 8.5	CR3_EXT-M2-SLP2-002	1
-	DISK WELDMENT, LOG TURNING	509434-1	2
4	DISK, LOG TURNING	509431	1
5	COLLAR, LOCKING	509430	1
6	COLLAR, LOCKING	509429-1	2
7	PLATE, MOUNT	516391-1	7
8	DRIVE TRANSMISSION ASSEMBLY See Section 7.6	526604	1
9	AUTOMATIC TENSIONER ASSEMBLY See Section 7.2	517578	1
10	CHAIN TENSIONER ASSEMBLY See Section 6.53	515276	1
-	CHAIN, SLP2-002 MODULE 1 - COMPLETE	526662	1
11	CHAIN, 08B-1 SLP2-002 MODULE 1	526663	1
12	LINK, 08B-1 (1/2" X 5/16") W/COTTER PI	523673	1
-	CHAIN, SLP2-002 MODULE 2 - COMPLETE	526664	1
13	CHAIN, 08B-1	526661	1
14	LINK, 08B-1 (1/2" X 5/16") W/COTTER PI	523673	1

8 CR8-3_6H-SLP2-002 Conveyor

Guide Plate Assembly

REF	DESCRIPTION (◆ indicates parts available in assemblies only)	PART #	QTY
15	PLATE ASSEMBLY, LOG GUIDE See Section 8.2	526666	4

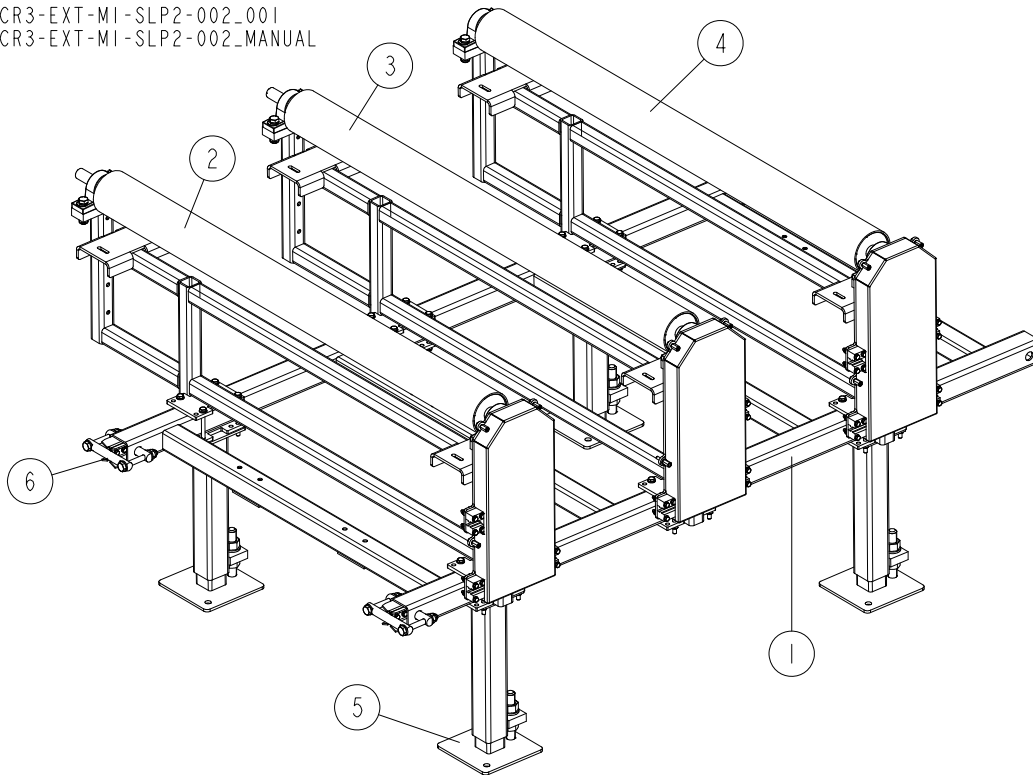
8.2 Guide Plate Assembly



REF	DESCRIPTION (◆ indicates parts available in assemblies only)	PART #	QTY
-	PLATE ASSEMBLY, LOG GUIDE	526666	1
1	PLATE, GUIDE	508723-1	1
2	BAR WELDMENT, GUIDE PLATE MOUNT	508737-1	2
3	WASHER, STABILIZING	516393-1	2

8.3 CR3-EXT-M1-SLP2-002

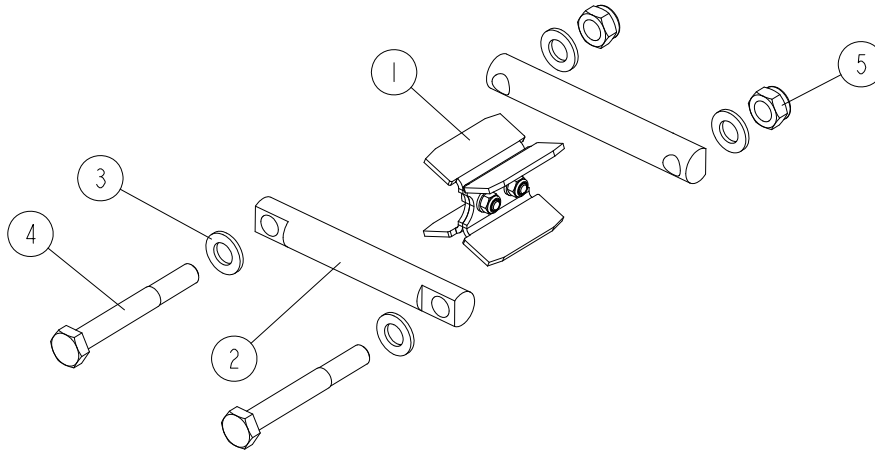
CR3-EXT-M1-SLP2-002_001
 CR3-EXT-M1-SLP2-002_MANUAL



REF	DESCRIPTION (◆ indicates parts available in assemblies only)	PART #	QTY
-	ROLLER CONVEYOR - MODULE 1- SLP2-002	CR3_EXT-M1-SLP2-002	1
1	FRAME WELDMENT, ROLLER CONVEYOR	507898-1	1
2	WIDE ROLLER SEGMENT See Section 6.8	526595	1
3	WIDE ROLLER SEGMENT - SPECIAL See Section 6.8	526658	1
4	WIDE ROLLER SEGMENT - SPECIAL See Section 6.8	526656	1
5	COMPLETE SHORT LEG See Section 6.4	506018	4
6	BRACKET ASSEMBLY, SEGMENT CONNECTION See Section 8.4	526585	2

8.4 Segment Connection Bracket

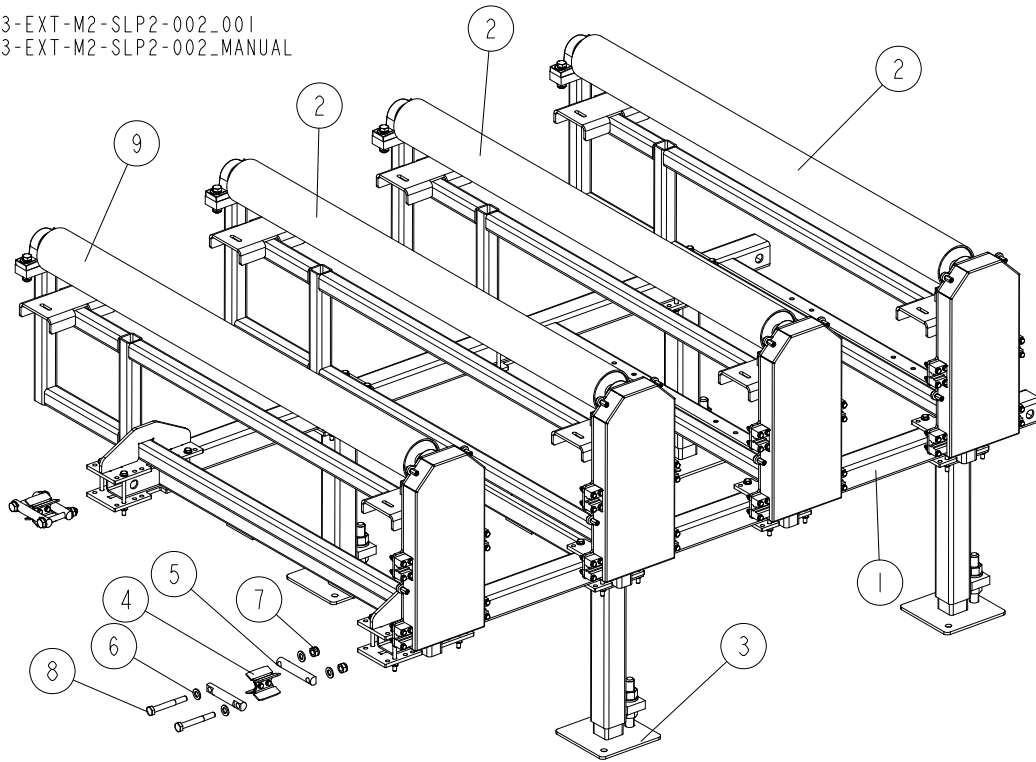
526585_001
 526585_MANUAL



REF	DESCRIPTION (◆ indicates parts available in assemblies only)	PART #	QTY
-	BRACKET ASSEMBLY, SEGMENT CONNECTION	526585	1
1	PLATE ASSEMBLY, SEGMENT CONNECTION SEE S See Section 7.4	508365	1
2	PIN, SEGMENT CONNECTION	516331-1	2
3	WASHER, 13 FLAT ZINC	F81056-1	4
4	BOLT, M12X95 8.8 HEX HEAD ZINC	F81004-29	2
5	NUT, M12 8 HEX NYLON ZINC LOCK	F81034-2	2

8.5 CR3-EXT-M2-SLP2-002

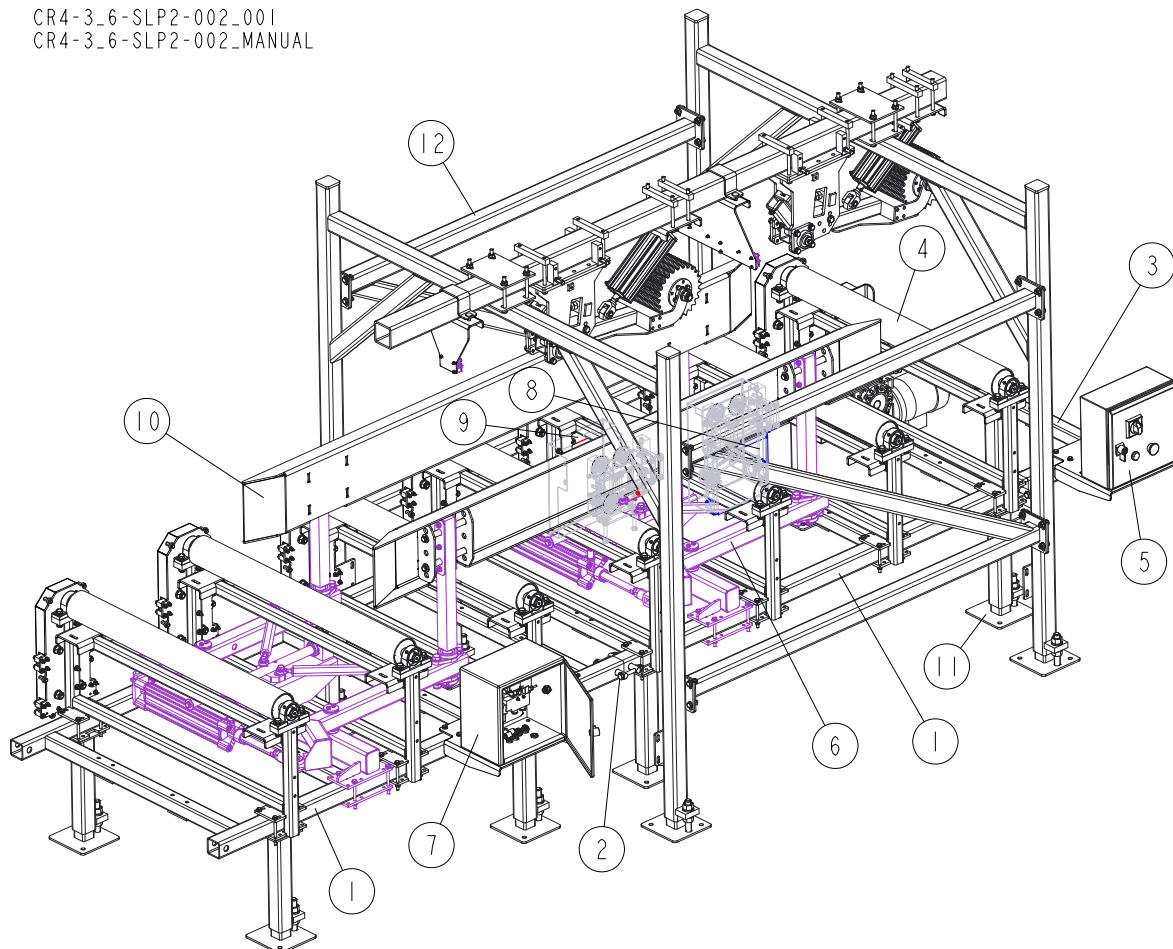
CR3-EXT-M2-SLP2-002_001
 CR3-EXT-M2-SLP2-002_MANUAL



REF	DESCRIPTION (◆ indicates parts available in assemblies only)	PART #	QTY
-	ROLLER CONVEYOR - MODULE 2 - SLP2-002	CR3_EXT-M2-SLP2-002	1
1	FRAME WELDMENT, ROLLER CONVEYOR	507898-1	1
2	WIDE ROLLER SEGMENT - SPECIAL See Section 6.8	526656	3
3	COMPLETE SHORT LEG See Section 6.4	506018	4
4	PLATE ASSEMBLY, SEGMENT CONNECTION SEE S See Section 7.4	508365	2
5	PIN, SEGMENT CONNECTION	508366-1	4
6	WASHER, 13 FLAT ZINC	F81056-1	8
7	NUT, M12 8 HEX NYLON ZINC LOCK	F81034-2	4
8	BOLT, M12X95 8.8 HEX HEAD ZINC	F81004-29	4
9	WIDE ROLLER SEGMENT See Section 6.8	526600	1

8.6 CR4-3_6-SLP2-002

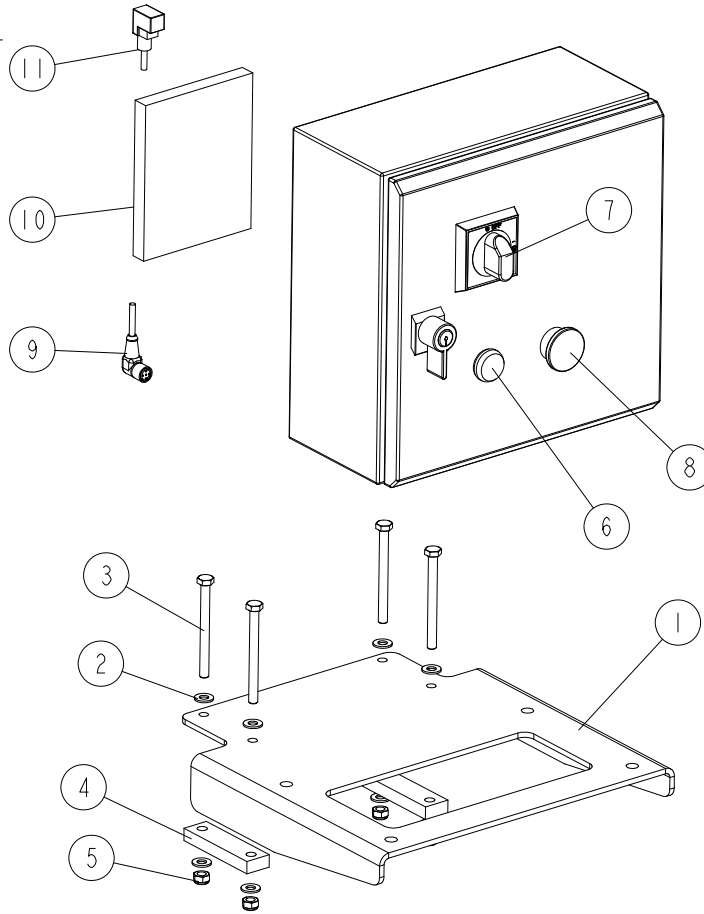
CR4-3_6-SLP2-002_001
CR4-3_6-SLP2-002_MANUAL



REF	DESCRIPTION (◆ indicates parts available in assemblies only)	PART #	QTY
-	ROLLER CONVEYOR W/CENTERING SYSTEM	CR4-3_6-SLP2-002	1
1	FRAME WELDMENT, ROLLER CONVEYOR	507898-1	2
2	BRACKET ASSEMBLY, SEGMENT CONNECTION See Section 8.4	526585	2
3	EXTENSION DRIVE MODULE See Section 6.3	526659	1
4	ROLLER ASSEMBLY, SLP2-002 MEDIUM See Section 6.9	526655	7
5	BOX, CR8-3_6H ELECTRIC See Section 8.7	526587	1
6	CENTERING SYSTEM See Section 8.10	526584	2
7	AIR BOX ASSEMBLY See Section 8.8	526588	1
8	AUTOMATIC TENSIONER ASSEMBLY See Section 7.2	517578	1
9	CHAIN TENSIONER ASSEMBLY See Section 6.53	515276	1
10	CENTERING PLATE ASSEMBLY See Section 8.9	526616	2
11	COMPLETE SHORT LEG See Section 6.4	506018	8
12	MOUNT WELDMENT, HOLD-DOWN ROLLER See Section 8.14	526643	1

8.7 Electric Box, CR8-3_6

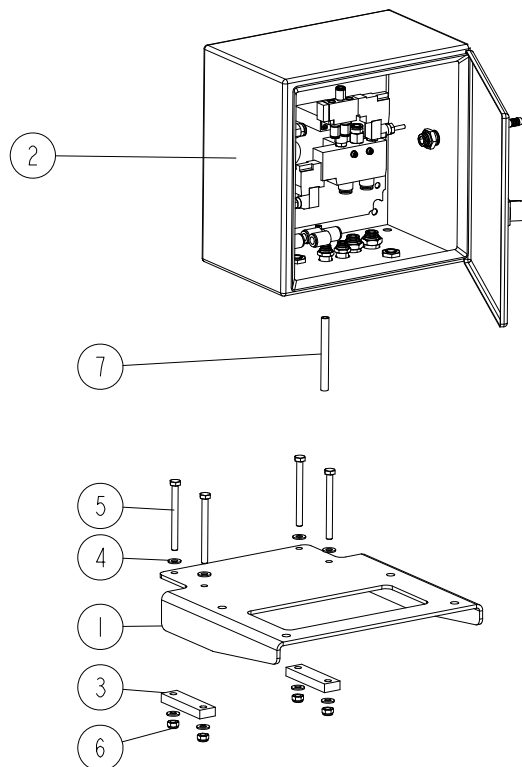
526587_001
 526587_MANUAL



REF	DESCRIPTION (◆ indicates parts available in assemblies only)	PART #	QTY	
-	BOX, CR8-3_6H ELECTRIC	526587	1	
1	PLATE, ELECTRIC BOX MOUNT	510592-1	1	
2	WASHER, 8.4 FLAT ZINC	F81054-1	8	
3	BOLT, M8X90-8.8 HEX HEAD FULL THREAD ZINC	F81002-16	4	
4	BAR, REAR MOUNT	506186-1	2	
5	NUT, M8-8-B HEX NYLON ZINC LOCK	F81032-2	4	
-	BOX, CENTRING TABLE ELECTRIC	507256	1	
6	LIGHT, M22 WHITE-LED 24V CONTROL	090448	1	
7	HANDLE, OHB S2A1 ABB SWITCH	502312-1	1	
8	BUTTON, EMERGENCY STOP	502315	1	
9	CABLE, BCC M425-0000-1A-003-VX8434-050	087652	1	
10	MOTOR SPEED CONTROLLER, ATV31HU11N4	093488	1	
11	CABLE, BCC VC04-0000-10-053-PX0350-020	510614	1	

8.8 Air Box Assembly

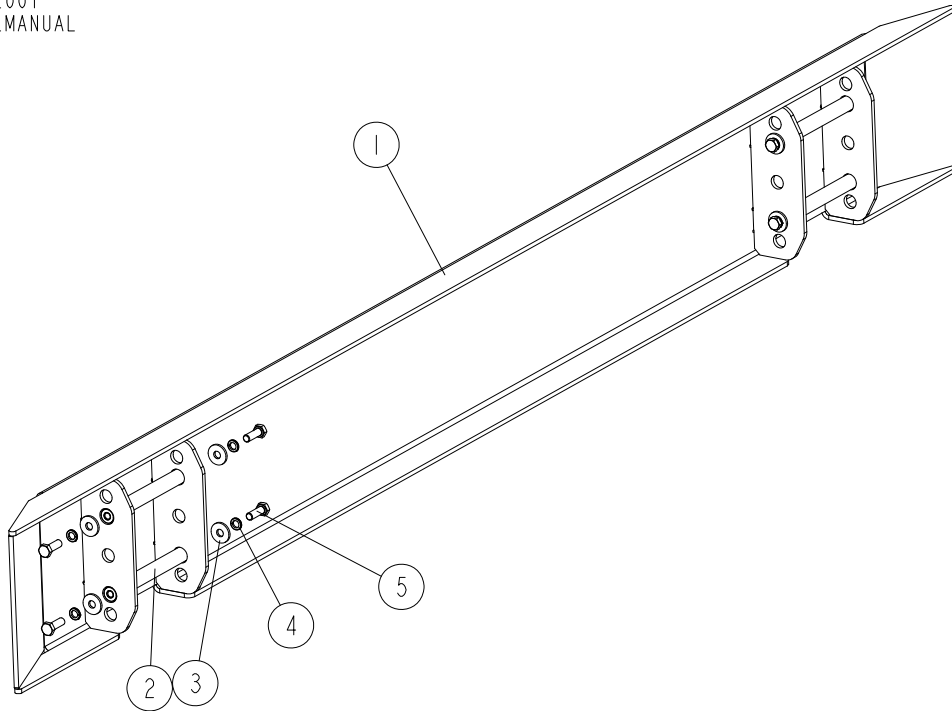
526588_001
526588_MANUAL



REF	DESCRIPTION (◆ indicates parts available in assemblies only)	PART #	QTY
-	BOX ASSEMBLY, AIR	526588	1
1	PLATE, ELECTRIC BOX MOUNT	510592-1	1
2	BOX, AIR - COMPLETE See Section 6.11	510445	1
3	BAR, REAR MOUNT	506186-1	2
4	WASHER, 8.4 FLAT ZINC	F81054-1	8
5	BOLT, M8X90-8.8 HEX HEAD FULL THREAD ZINC	F81002-16	4
6	NUT, M8-8-B HEX NYLON ZINC LOCK	F81032-2	4
7	HOSE, 10X6.5 POLYURETHANE	R80588-8_12	1

8.9 Centering Plate Assembly

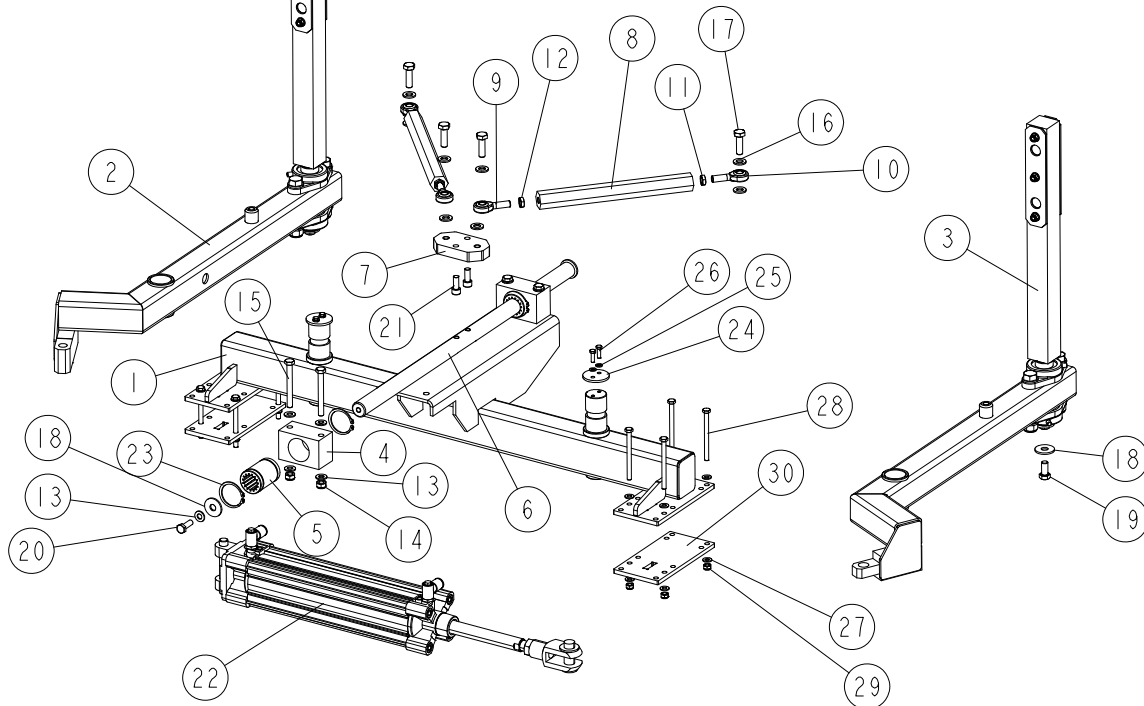
526616_001
526616_MANUAL



REF	DESCRIPTION (◆ indicates parts available in assemblies only)	PART #	QTY	
-	PLATE ASSEMBLY, CENTERING	526616	1	
1	PLATE WELDMENT, CENTERING	526614-1	1	
2	ROD, CENTERING PLATE GUIDE	526615-1	4	
3	WASHER, 10.5 SPECIAL FLAT ZINC	F81055-6	8	
4	WASHER, Z 10.2 SPLIT LOCK ZINC	F81055-2	8	
5	BOLT, M10X30-8.8 HEX HEAD FULL THREAD ZINC	F81003-2	8	

8.10 Centering System

526584_001
526584_MANUAL

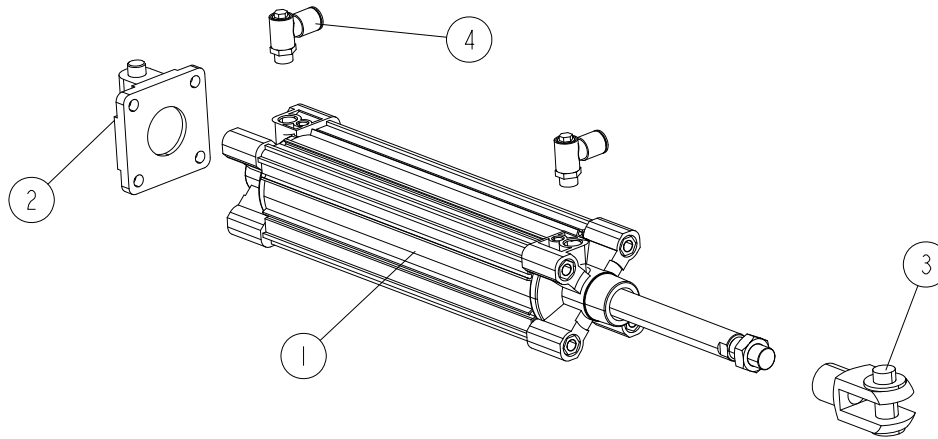


REF	DESCRIPTION (◆ indicates parts available in assemblies only)	PART #	QTY
-	CENTERING SYSTEM	526584	1
1	MOUNT WELDMENT, CENTERING SYSTEM	526582-1	1
2	ARM, CENTERING SYSTEM - LEFT See Section 8.12	526609	1
3	ARM, CENTERING SYSTEM - RIGHT See Section 8.12	526610	1
4	BLOCK, SHAFT ZINC-PL. GUIDE	507914-1	2
5	BUSHING, RJM-01-30 SLIDE	507923	2
6	SHAFT, ZINC-PLATED	507919-1	1
7	PLATE, CYLINDER MOUNT	507921-1	1
-	TURNBUCKLE ASSEMBLY	507883	2
8	TURNBUCKLE	507882-1	1
9	ROD END (RIGHT THREAD)	087035	1
10	END, ROD LEFT THREAD	087036	1
11	NUT, M12-04-A LEFT HEX THIN	F81034-7	1
12	NUT, M12-04-A RIGHT HEX THIN	F81034-6	1
13	WASHER, 10.5 FLAT ZINC	F81055-1	10
14	NUT, M10-8-B HEX NYLON ZINC LOCK	F81033-1	4
15	BOLT, M10X90-8.8 HEX HEAD FULL THREAD ZINC	F81003-90	4
16	WASHER, 13 FLAT ZINC	F81056-1	9
17	BOLT, M12X40 8.8 HEX HEAD FULL THR.ZINC	F81004-4	4
18	WASHER, 13 SPECIAL FLAT ZINC	F81056-14	3
19	BOLT, M12X25-8.8 HEX HEAD FULL THREAD ZINC	F81004-31	1
20	BOLT, M10X30-8.8 HEX HEAD FULL THREAD ZINC	F81003-2	2

REF	DESCRIPTION (◆ indicates parts available in assemblies only)	PART #	QTY	
21	SCREW, M10X25 8.8 HEX SOCKET HEAD CAP ZINC	F81003-32	2	
22	CYLINDER, CP96 PNEUMATIC See Section 8.11	511061	1	
23	RING, Z48 OUTSIDE RETAINING	F81090-54	4	
24	WASHER, FI 50 SPECIAL	516130-1	2	
25	WASHER, 6.4 FLAT ZINC	F81053-1	4	
26	BOLT, M6X20-8.8 HEX HEAD FULL THREAD ZIN	F81001-2	4	
27	WASHER, 8.4 FLAT ZINC	F81054-1	16	
28	BOLT, M8X100-8.8 HEX HEAD ZINC	F81002-23	8	
29	NUT, M8-8-B HEX NYLON ZINC LOCK	F81032-2	8	
30	PLATE, MOUNT	526592-1	2	

8.11 Pneumatic Cylinder

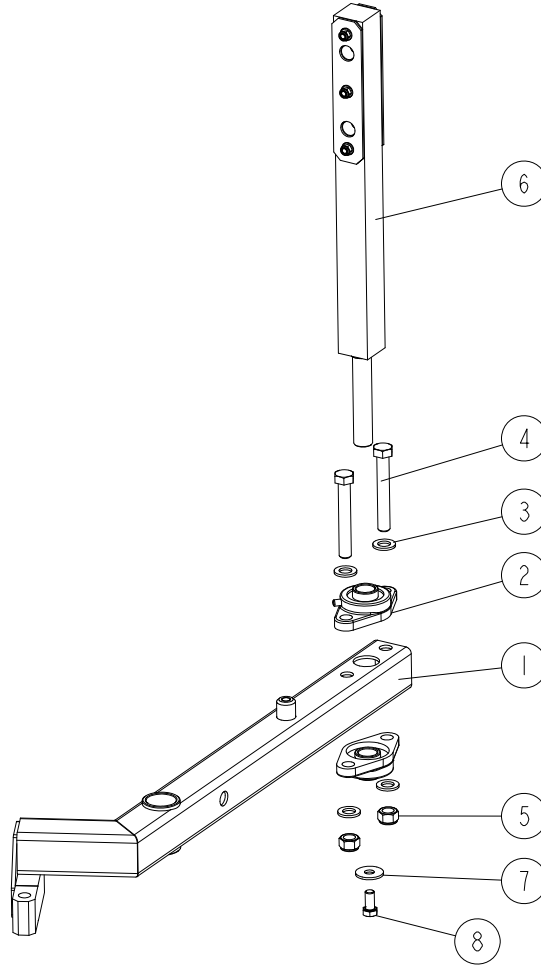
511061_001
 511061_MANUAL



REF	DESCRIPTION (◆ indicates parts available in assemblies only)	PART #	QTY	
-	CYLINDER, CP96 PNEUMATIC	511061	1	
1	CYLINDER, PNEUMATIC	511638	1	
2	CLEVIS, D5080(F) DOUBLE (SMC)	511062	1	
3	JOINT, GKM20-40 DOUBLE KNUCKLE (SMC)	511060	1	
4	VALVE, AS320IF-03-10S FLOW CONTROL	511070	2	

8.12 Centering System Arm

526609_001
526609_MANUAL



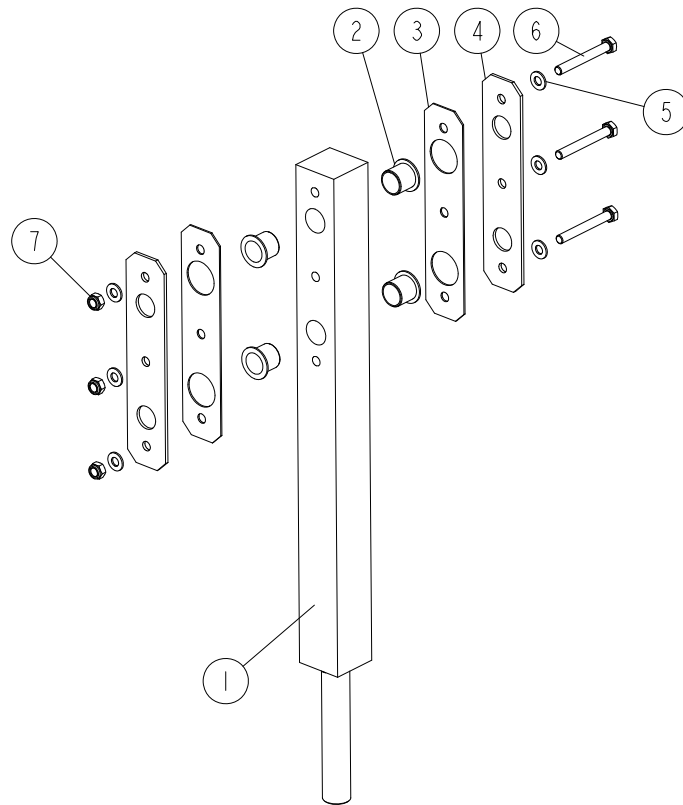
REF	DESCRIPTION (◆ indicates parts available in assemblies only)	PART #	QTY
-	ARM, CENTERING SYSTEM - LEFT	526609	1
-	ARM, CENTERING SYSTEM - RIGHT	526610	1
1	ARM WELDMENT, CENTERING	507888-1 ¹	1
1	ARM WELDMENT, CENTERING	507906-1 ²	1
2	BEARING, UCFL205, (COMPLEX). W/HOUSING	089124	2
3	WASHER, 17 FLAT ZINC	F81058-1	4
4	BOLT, M16X110-8.8-B HEX HEAD ZINC	F81006-24	2
5	NUT, M16-8 HEX NYLON ZINC LOCK	F81036-2	2
6	POST, CENTERING PLATE MOUNT - COMPLETE See Section 8.13	526638	1
7	WASHER, 13 SPECIAL FLAT ZINC	F81056-14	1
8	BOLT, M12X25-8.8 HEX HEAD FULL THREAD ZINC	F81004-31	1

¹ Included in assy # 526609

² Included in assy # 526610

8.13 Centering Plate Mount Post

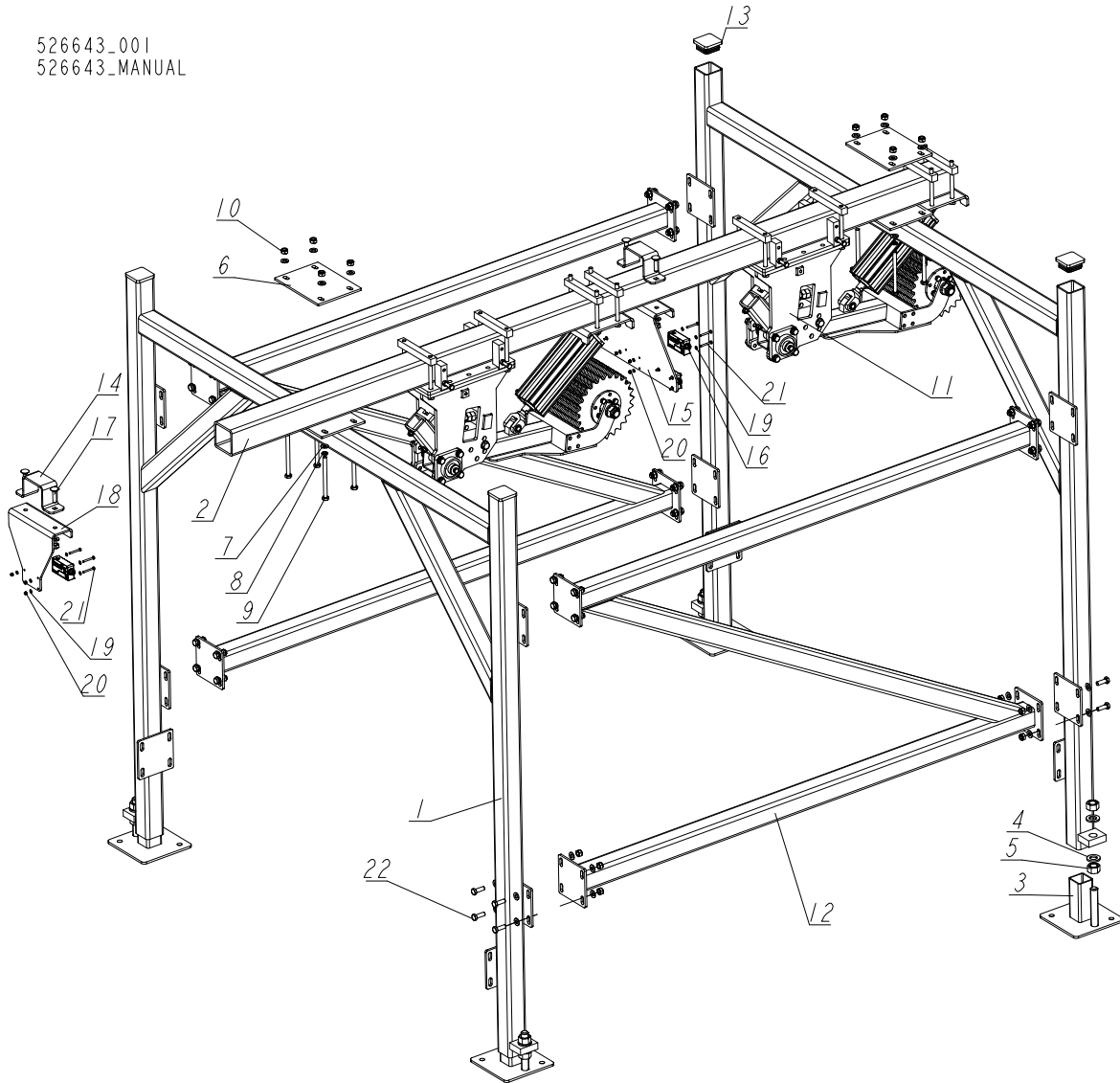
526638_001
526638_MANUAL



REF	DESCRIPTION (◆ indicates parts available in assemblies only)	PART #	QTY
-	POST, CENTERING PLATE MOUNT - COMPLETE	526638	1
1	POST, CENTERING PLATE MOUNT	526611-1	1
2	BUSHING, JFM-2023-21 FLANGED	094113	4
3	PLATE, SPACER	526639	2
4	PLATE, PROTECTIVE	526640-1	2
5	WASHER, 8.4 FLAT ZINC	F81054-1	6
6	BOLT, M8X65 8.8 HEX HEAD FULL THREAD ZINC	F81002-9	3
7	NUT, M8-8-B HEX NYLON ZINC LOCK	F81032-2	3

8.14 Hold-Down Roller Mount

526643_001
526643_MANUAL



REF	DESCRIPTION (◆ indicates parts available in assemblies only)	PART #	QTY
-	MOUNT WELDMENT, HOLD-DOWN ROLLER	526643	1
1	SEGMENT, HOLD-DOWN ROLLER MOUNT	526644-1	2
2	TUBE, HOLD-DOWN ROLLER MOUNT	526648-1	1
3	FOOT, LES TABLE LEG	099281-1	4
4	WASHER, 21 FLAT ZINC	F81059-2	8
5	NUT, M20-8- HEX ZINC	F81037-1	8
6	PLATE, MOUNTING	526647-1	2
7	WASHER, 10.5 FLAT ZINC	F81055-1	84
8	WASHER, Z 10.2 SPLIT LOCK ZINC	F81055-2	8
9	BOLT, M10 X 125-8.8 HEX HEAD ZINC	F81003-18	8
10	NUT, M10-8-B HEX NYLON ZINC LOCK	F81033-1	44
11	ROLLER, FRONT HOLD-DOWN - COMPLETE See Section 8.15	511043	2
12	TUBE, CROSS	526652-1	2
13	CAP, SR 1540 199211 OUTRIGGER LEG	089710	4



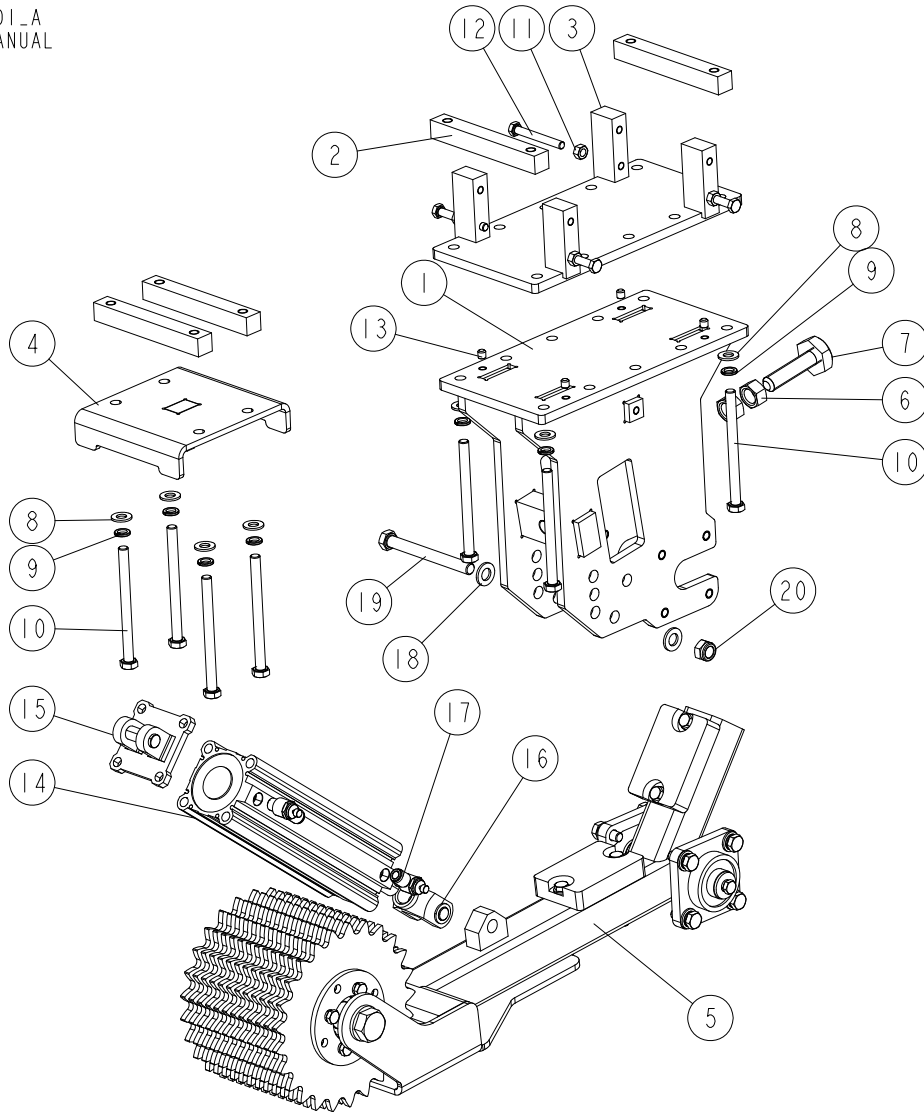
CR8-3_6H-SLP2-002 Conveyor

Hold-Down Roller Mount

REF	DESCRIPTION (◆ indicates parts available in assemblies only)	PART #	QTY	
14	WRAP, MOUNTING	526399-1	2	
15	PLATE, SENSOR MOUNT	526962-1	1	
16	HT46CI.E/4P-M12 - DIFFUSE SENSOR WITH BACKGROUND SUPPRESSION	526654	4	
17	BOLT, M10X40-8.8 CARRIAGE ZINC	F81003-40	4	
18	PLATE, SENSOR MOUNT	526657-1	1	
19	WASHER, 4.3 FLAT ZINC	F81051-2	24	
20	NUT, M4-B HEX NYLON ZINC LOCK	F81029-1	6	
21	BOLT, M4X35-8.8 HEX HEAD FULL THREAD ZIN	F81011-7	12	
22	BOLT, M10X30-8.8 HEX HEAD FULL THREAD ZINC	F81003-2	32	

8.15 Front Hold-Down Roller

511043_001_A
 511043_MANUAL



REF	DESCRIPTION (◆ indicates parts available in assemblies only)	PART #	QTY
-	ROLLER, FRONT HOLD-DOWN - COMPLETE	511043	1
1	MOUNT WELDMENT, HOLD-DOWN ROLLER	510306-1	1
2	BAR, MOUNTING	100757-1	4
3	PLATE, COMPLETE TOP	503435-1	1
4	BRACKET WELDMENT, AIR CYLINDER UPPER	101204-1	1
5	ROLLER, FRONT HOLD-DOWN - COMPLETE See Section 8.16	511045	1
-	M16 BOLT W/2 NUTS	093710	1
6	NUT, M16 5.8 HEX	F81036-5	2
7	BOLT, M16	505006	1
8	WASHER, 10.5 FLAT ZINC	F81055-1	8
9	WASHER, Z 10.2 SPLIT LOCK ZINC	F81055-2	8
10	BOLT, M10 X 125-8.8 HEX HEAD ZINC	F81003-18	8
11	NUT, M8-8-B HEX ZINC	F81032-1	4
12	BOLT, M8X65 8.8 HEX HEAD FULL THREAD ZINC	F81002-9	4

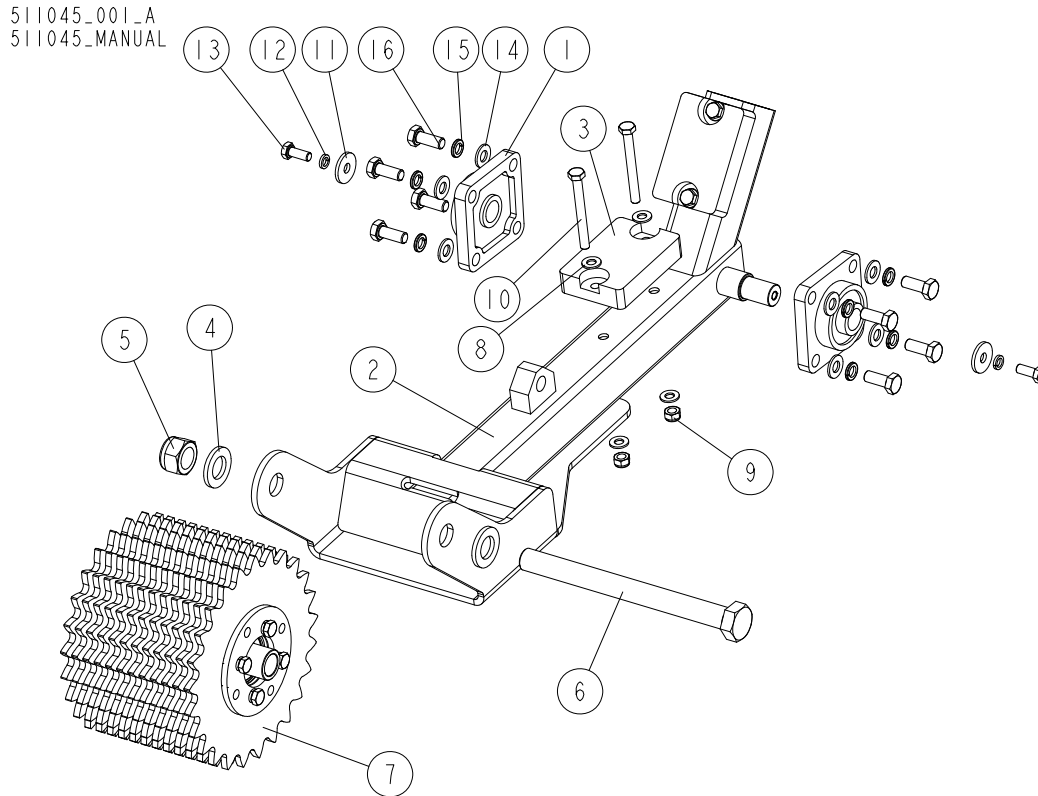


CR8-3_6H-SLP2-002 Conveyor

Front Hold-Down Roller

REF	DESCRIPTION (◆ indicates parts available in assemblies only)	PART #	QTY	
13	SCREW, M8 X 8-33H	F81014-1	4	
-	CYLINDER, 63X200 AIR	508875	1	
14	CYLINDER, CDQ2A63TF-200DCMZ AIR	508882	1	
15	BRACKET, CQ-D063 MOUNTING	508884	1	
16	CLEVIS, Y-G05 ROD	508883	1	
17	VALVE, AS220IF-02-08S AIR FLOW CONTROL	509039	2	
18	WASHER, 13 FLAT ZINC	F81056-1	2	
19	BOLT, M12X115-8.8-B HEX HEAD ZINC	F81004-33	1	
20	NUT, M12 8 HEX NYLON ZINC LOCK	F81034-2	1	

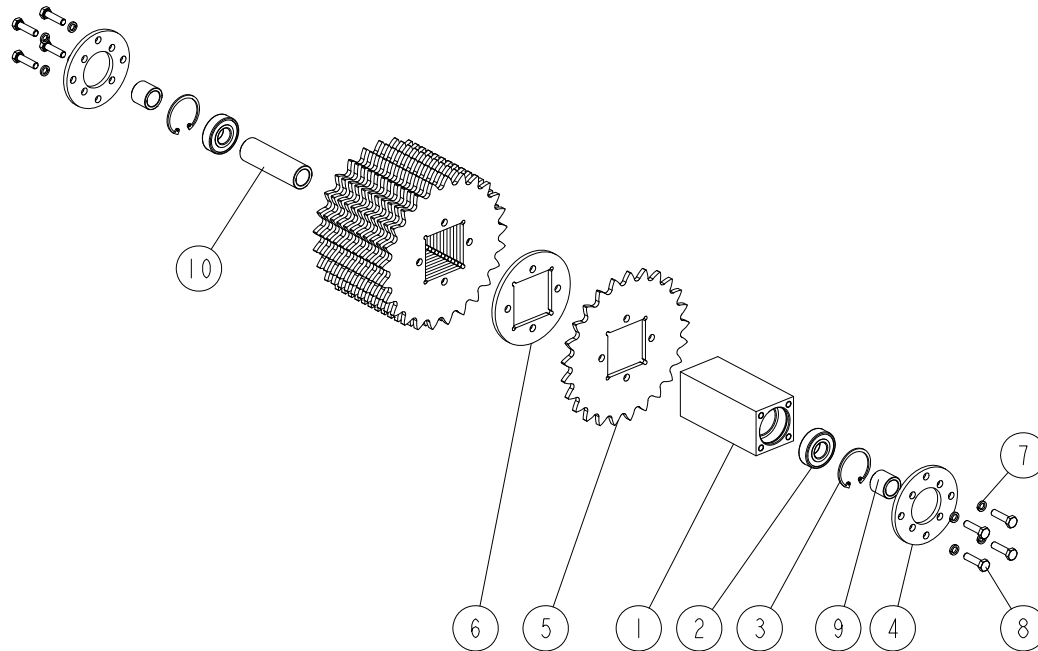
8.16 Front Hold-Down Roller



REF	DESCRIPTION (◆ indicates parts available in assemblies only)	PART #	QTY
-	ROLLER, FRONT HOLD-DOWN - COMPLETE	511045	1
1	BEARING, UCF 204 W/HOUSING	097667	2
2	ARM WELDMENT, HOLD-DOWN ROLLER	511044-1	1
3	BUMPER, GRENE 70 3201 0010 RUBBER	094969	2
4	WASHER, 21 FLAT ZINC	F81059-2	2
5	NUT, M20-8 HEX	F81037-2	1
6	BOLT, M20X220-8.8 HEX HEAD ZINC	F81007-4	1
7	ROLLER, HOLD-DOWN - COMPLETE See Section 8.17	500030	1
8	WASHER, 8.4 FLAT ZINC	F81054-1	8
9	NUT, M8-8-B HEX NYLON ZINC LOCK	F81032-2	4
10	BOLT, M8X75-8.8 HEX HEAD ZINC	F81002-91	4
11	WASHER, 9 DIN440 A2 STAINLESS STEEL	F81054-9	2
12	WASHER, 8.2 SPLIT LOCK ZINC	F81054-4	2
13	BOLT, M8X20-8.8-B HEX HEAD FULL THREAD Z	F81002-4	2
14	WASHER, 10.5 FLAT ZINC	F81055-1	8
15	WASHER, Z 10.2 SPLIT LOCK ZINC	F81055-2	8
16	BOLT, M10X25-8.8-FE/ZN5	F81003-11	8

8.17 Hold-Down Roller

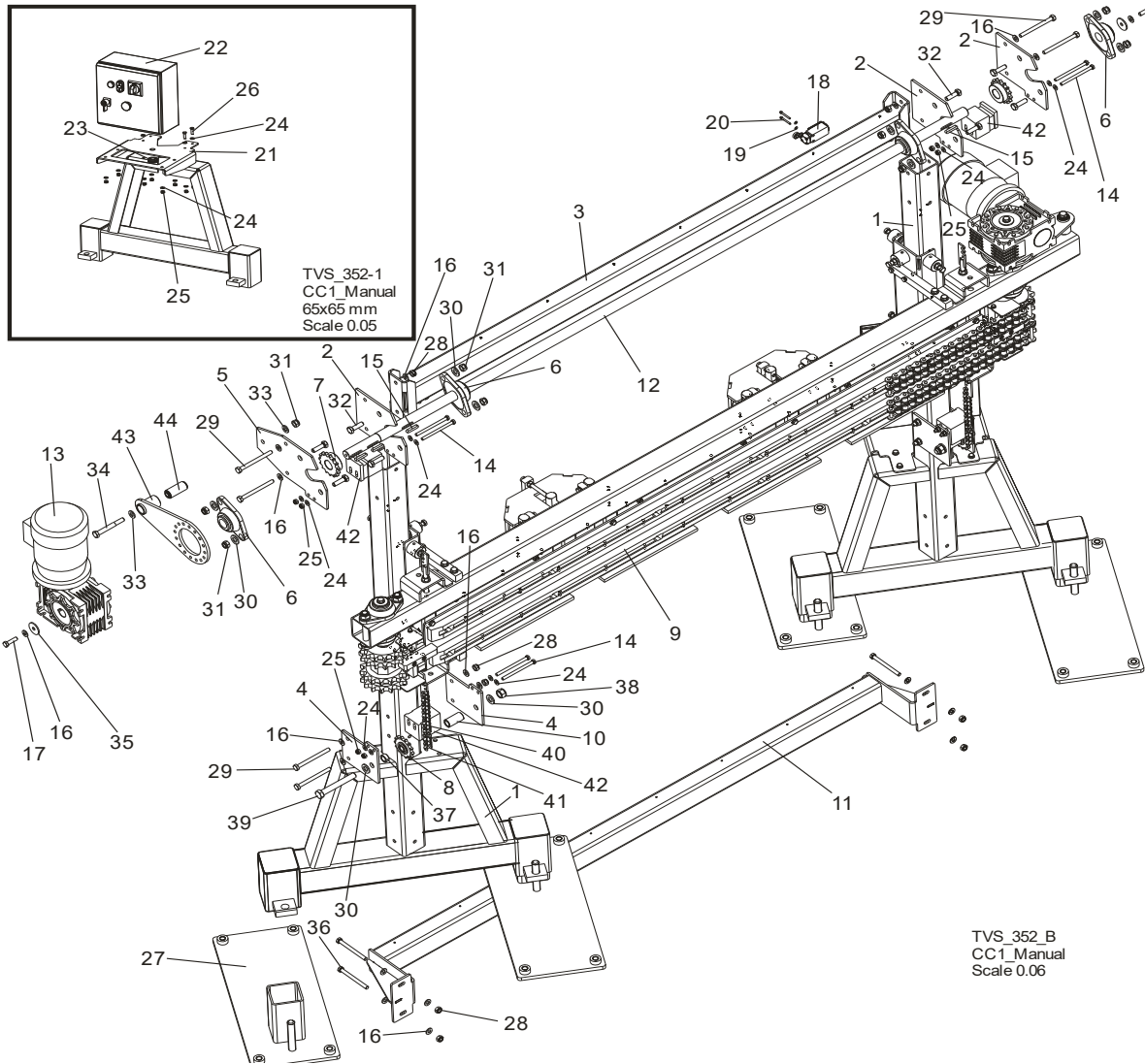
500030_001
500030_MANUAL



REF	DESCRIPTION (◆ indicates parts available in assemblies only)	PART #	QTY
-	ROLLER, HOLD-DOWN - COMPLETE	500030	1
1	BLOCK, HOLD-DOWN ROLLER INSIDE	500025-1	1
2	BEARING, 6204 2RS-CX ROLLING	088447	2
3	RING, W47 INSIDE RETAINING	089653	2
4	PLATE, SIDE LOCKING	500026-1	2
5	WHEEL, N200 TOOTHED ZINC-PL. CLAMPING	500028-1	12
6	SPACER	500029-1	11
7	WASHER, 8.2 SPLIT LOCK ZINC	F81054-4	8
8	BOLT, M8X30 8.8 HEX HEAD FULL THREAD ZINC	F81002-7	8
9	SPACER, LT15 DRIVE BEARING	094156-1	2
10	BUSHING, 21/30-98 ZINC-PLATED	500027-1	1

SECTION 9 CHAIN CONVEYORS

9.1 CC1 Cross Side Chain Conveyor



REF	DESCRIPTION (◆ indicates parts available in assemblies only)	PART #	QTY
	CONVEYOR, CROSS SIDE CHAIN - COMPLETE	CC1	1
	CONVEYOR, CROSS SIDE CHAIN	507965	1
1	POST WELDMENT, CROSS SIDE CHAIN CONVEYOR	507960-1	2
2	PLATE, UPPER GUSSET	507967-1	3
3	TUBE WELDMENT, HORIZONTAL CONNECTION	507966-1	1
4	PLATE, LOWER ZINC-PL. GUSSET	507968-1	4
5	PLATE, UPPER ZINC-PL. GUSSET	508461-1	1
6	BEARING, UCFL 206 CX W/HOUSING	090851	4
7	SPROCKET, 15Z10B 30 DIA.(T43994,T31040)	507954	2
8	SPROCKET, KSR 16.L0.10.10.14.08 W/BEARIN	088867	2
9	TABLE, CROSS SIDE CHAIN CONVEYOR See Section 9.2	508470	1
10	BUSHING, 25X16.5X51 SPACER	508488-1	2

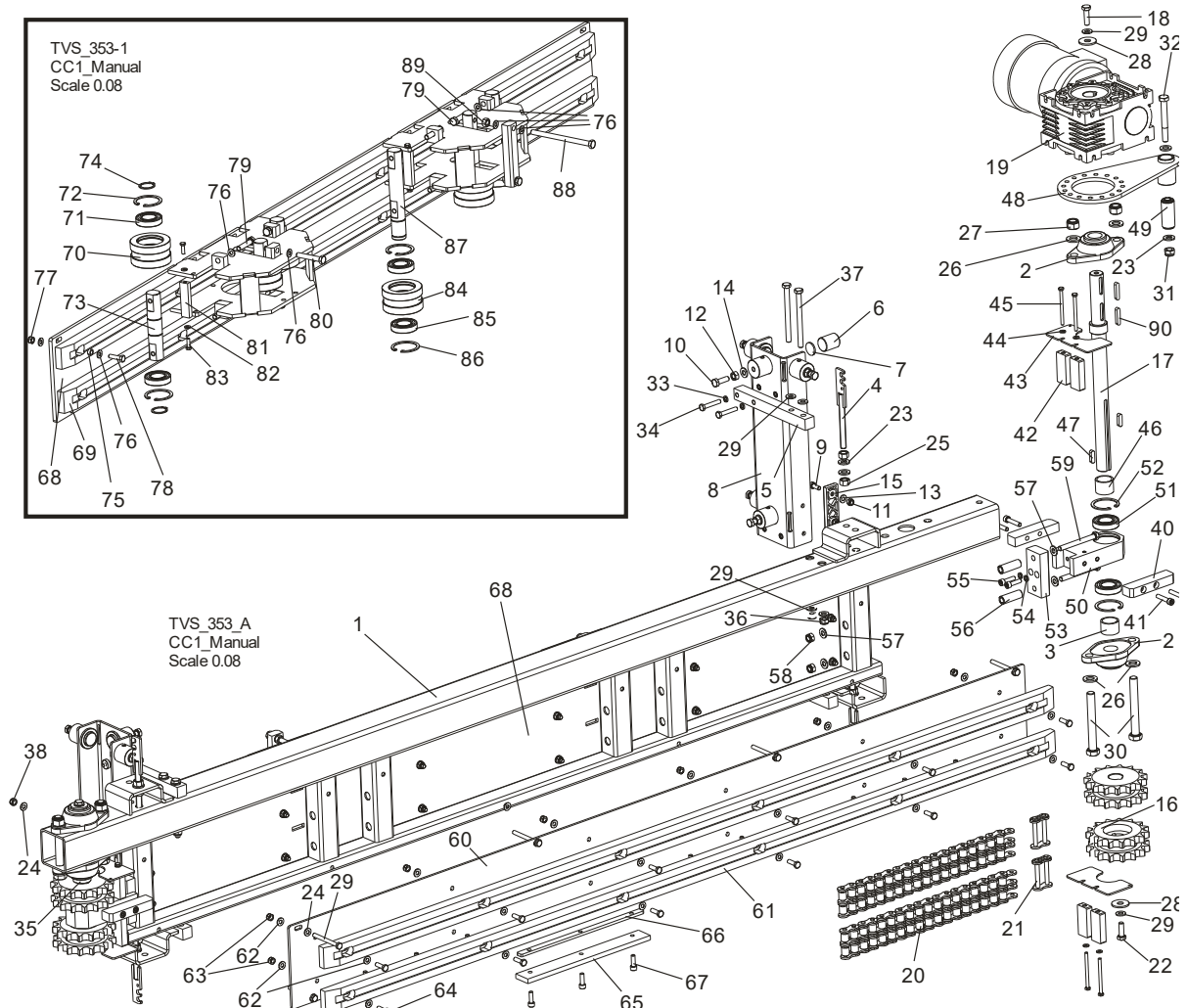


Chain Conveyors

CC1 Cross Side Chain Conveyor

11	TUBE WELDMENT, BOTTOM CONNECTION	516634-1	1	
12	SHAFT, UP/DOWN DRIVE	508483	1	
13	REDUCER, MR-63/66/0.37-1400/F3/B8	507953	1	
14	BOLT, M8x110-8.8 HEX HEAD ZINC	F81002-53	8	
15	KEY, A 8X7X40 PARALLEL	503407	4	
16	WASHER, 10.5 FLAT ZINC	F81055-1	26	
17	BOLT, M10x35-8.8 HEX HEAD FULL THREAD ZINC	F81003-17	2	
18	SWITCH, FA138 Z11LIMIT	100931	2	
19	WASHER, 4.3 FLAT ZINC	F81051-2	4	
20	SCREW, M4 X 35-8.8 HEX SOCKET HEAD CAP Z	F81011-34	4	
21	PLATE, ELECTRIC BOX MOUNT	509284-1	1	
22	BOX, CC1 CONVEYOR ELECTRIC	507255	1	
23	GROMMET, 22MM I.D. RUBBER	087400	1	
24	WASHER, 8.4 FLAT ZINC	F81054-1	28	
25	NUT, M8-8-B HEX NYLON ZINC LOCK	F81032-2	16	
26	BOLT, M8x25-8.8-B HEX HEAD FULL THREAD ZINC	F81002-5	4	
27	FOOT, LONG LEG ADJUSTABLE	516630-1	4	
28	NUT, M10-8-B HEX NYLON ZINC LOCK	F81033-1	12	
29	BOLT, M10x115-8.8 HEX HEAD ZINC	F81003-19	8	
30	WASHER, 17 FLAT ZINC	F81058-1	12	
31	NUT, M12 8 HEX NYLON ZINC LOCK	F81034-2	9	
32	BOLT, M12X40 8.8 HEX HEAD FULL THR.ZINC	F81004-4	8	
33	WASHER, 13 FLAT ZINC	F81056-1	2	
34	BOLT, M12X95 8.8 HEX HEAD ZINC	F81004-29	1	
35	WASHER, 10.2/40 SPECIAL FLAT ZINC	515868-1	2	
36	BOLT, M10x110 8.8 HEX HEAD ZINC	F81003-43	4	
37	BUSHING, D42 BELT TENSIONER SPACER ZINC-	087965-1	2	
38	NUT, M16-8 HEX NYLON ZINC LOCK	F81036-2	2	
39	BOLT, ISO 24014 M16X120_8.8 A2E	F81006-25	2	
40	CHAIN, 10B-1 101-LINK (1603.4)	511662	2	
41	LINK, 10B-1PZ MASTER	088671	4	
42	GUARD, CC1 UP/DOWN CHAIN	511565-1	4	
	ARM, MR-63 WM1000 TORQUE	504176	1	
43	ARM WELDMENT, WM1000 TORQUE	504175-1	1	
44	BUSHING, FI27XF112 L=66 METAL&RUBBER	504171	1	

9.2 CC1 Conveyor Table (508470)

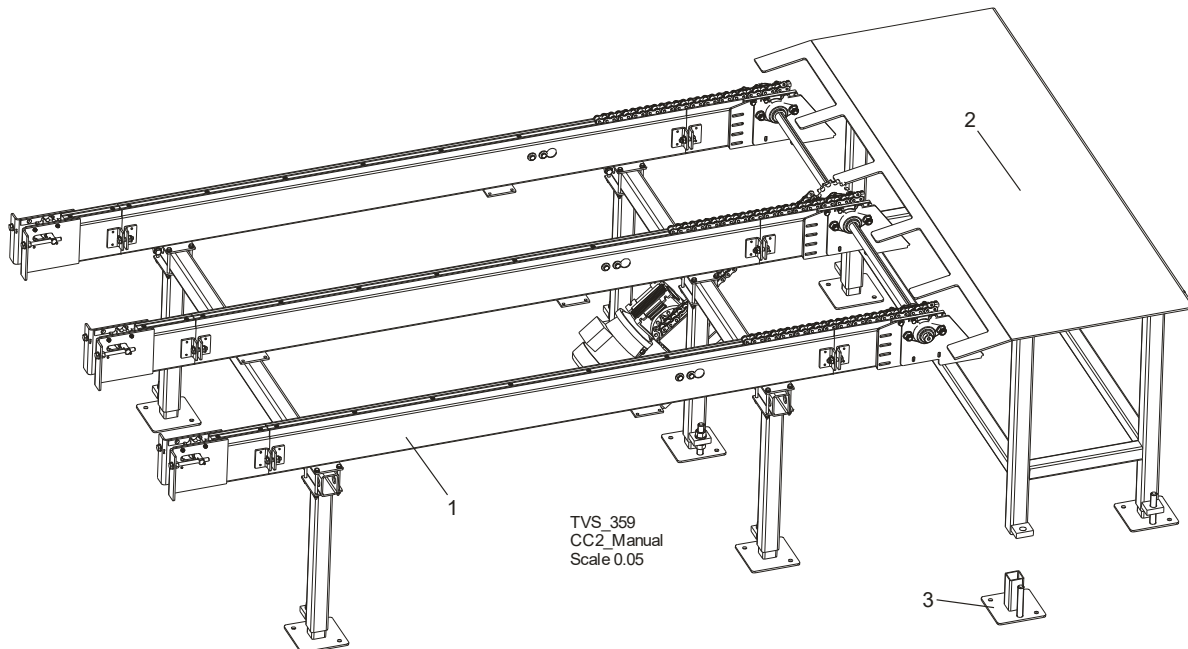


REF	DESCRIPTION (◆ indicates parts available in assemblies only)	PART #	QTY
	TABLE, CROSS SIDE CHAIN CONVEYOR	508470	1
1	MOUNT WELDMENT, CC1 CONVEYOR TABLE	508460-1	1
2	BEARING, UCFL 206 CX W/HOUSING	090851	4
3	BUSHING, 40/31X25.5	512209-1	2
4	TENSIONER WELDMENT, LT20 UP/DOWN CHAIN ZINC-PLATED	090730-1	4
5	BAR, GUIDE CHANNEL MOUNTING	508468-1	2
	COMPLETE GUIDE CHANNEL	508472	1
	COMPLETE LEFT GUIDE CHANNEL	512164	1
6	ROD, SLIDE TVS	096128	5
7	WASHER, BUSHING SLIDE ZINC TVS	096129-1	5
8	CHANNEL WELDMENT, GUIDE	508471-1	1
	CHANNEL WELDMENT, GUIDE	512165-1	1
9	BOLT, M8x20-8.8-B HEX HEAD FULL THREAD ZINC	F81002-4	2
10	BOLT, M10X30-8.8 HEX HEAD FULL THREAD ZI	F81003-2	5
11	NUT, M8-8-B HEX NYLON ZINC LOCK	F81032-2	2
12	NUT, M10-8-B-HEX ZINC	F81033-3	5

13	WASHER, 8.4 FLAT ZINC	F81054-1	2	
14	WASHER, 10.5 FLAT ZINC	F81055-1	5	
15	PAD, PLASTIC SLIDE	M04096	1	
16	SPROCKET, 15Z16B/30 T44090+T31106 DOUBLE	508476-1	4	
17	SHAFT, DRIVE	508481	1	
18	BOLT, M10x35-8.8 HEX HEAD FULL THREAD ZINC	F81003-17	4	
19	REDUCER, MR-63/24.5/0.75-1400/F3/B6	508486	1	
	COMPLETE CONVEYOR CHAIN	508485	2	
20	CHAIN, 16B-2 197-LINK DOUBLE (5.004M)	508484	1	
21	LINK, 16B-2 (T36073 ULMER) MASTER	506635	1	
22	BOLT, M10x35-8.8 HEX HEAD FULL THREAD ZINC	F81003-17	4	
23	WASHER, 13 FLAT ZINC	F81056-1	10	
24	WASHER, 8.4 FLAT ZINC	F81054-1	18	
25	NUT, M12-8 HEX ZINC	F81034-1	8	
26	WASHER, 17 FLAT ZINC	F81058-1	8	
27	NUT, M16-8 HEX NYLON ZINC LOCK	F81036-2	4	
28	WASHER, 10.2/40 SPECIAL FLAT ZINC	515868-1	4	
29	WASHER, 10.5 FLAT ZINC	F81055-1	12	
30	BOLT, M16x130-8.8 HEX HEAD ZINC	F81006-35	4	
31	NUT, M12 8 HEX NYLON ZINC LOCK	F81034-2	1	
32	BOLT, M12X95 8.8 HEX HEAD ZINC	F81004-29	1	
33	WASHER, 8.2 SPLIT LOCK ZINC	F81054-4	8	
34	BOLT, M8x45 - 8.8 HEX HEAD FULL THREAD ZINC	F81002-14	8	
35	SHAFT, CHAIN SPROCKET	508482	1	
36	NUT, M10-8-B HEX NYLON ZINC LOCK	F81033-1	4	
37	BOLT, M10 X 125-8.8 HEX HEAD ZINC	F81003-18	4	
38	NUT, M8-8-B HEX NYLON ZINC LOCK	F81032-2	9	
39	BOLT, M8X80-8.8 HEX HEAD ZINC	F81002-18	9	
40	BAR, PROTECTIVE	511693	4	
41	SCREW, M8x40-8.8 HEX SOCKET HEAD CAP ZINC	F81002-29	8	
42	BLOCK, CC1 SPROCKET GUARD	511687-1	8	
43	PLATE, CC1 CHAIN GUARD	511692-1	4	
44	WASHER, 6.4 FLAT ZINC	F81053-1	8	
45	BOLT, M6X80 HEX HEAD ZINC	F81001-61	8	
46	BUSHING, 40/31/28	512184-1	2	
47	KEY, A8X7X28 PARALLEL	096035	2	
	ARM, MR-63 WM1000 TORQUE	504176	1	
48	ARM WELDMENT, WM1000 TORQUE	504175-1	1	
49	BUSHING, FI27XF12 L=66 METAL&RUBBER	504171	1	
	BLOCK, DRIVE SPROCKET MOUNT - COMPLETE	508726	2	
50	BLOCK, DRIVE SPROCKET MOUNT	508725-1	1	
51	BEARING, 6006 2RSR	096191	2	
52	RING, W55 INSIDE RETAINING	F81090-46	2	
53	BAR, MOUNTING BLOCK	508745-1	1	
54	WASHER, 8.2 SPLIT LOCK ZINC	F81054-4	2	
55	SCREW M8X30 SHCS ZC 8.8 DIN 912 ISO 4762	F81002-31	2	
56	BUSHING, 17.2/11.4-50 SPACER	508743-1	2	

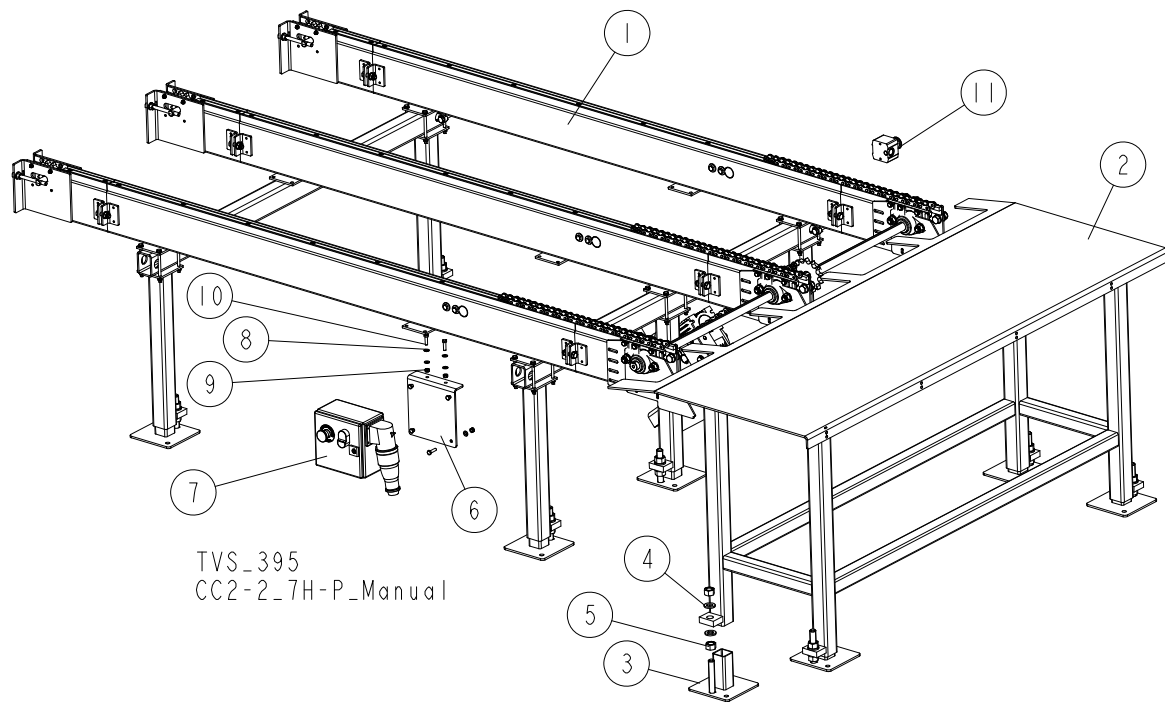
57	WASHER, 10.5 FLAT ZINC	F81055-1	4	
58	NUT, M10-8-B HEX NYLON ZINC LOCK	F81033-1	2	
59	BOLT, M10x95-8.8-B HEX HEAD ZINC	F81003-71	2	
	GUIDE ASSEMBLY, CC1 CHAIN	510599	1	
60	PLATE, CHAIN GUIDE MOUNT	508466-1	1	
61	GUIDE, 16B-2 2000MM CHAIN	508474	2	
62	WASHER, 8.4 FLAT ZINC	F81054-1	24	
63	NUT, M8-8-B HEX NYLON ZINC LOCK	F81032-2	12	
64	BOLT, M8x25-8.8-B HEX HEAD FULL THREAD ZINC	F81002-5	12	
65	BAR, CHAIN SUPPORT	510598	4	
66	SPACER, CHAIN	512208-1	4	
67	SCREW, M8X25 -8.8 HEX SOCKET HEAD CAP	F81002-21	12	
	REAR PLATE ASSEMBLY	508732	1	
68	PLATE WELDMENT, REAR	508731-1	1	
69	GUIDE, 16B-2 2000MM CHAIN	508474	2	
	WHEEL ASSEMBLY, SIDE TENSION	508744	3	
70	WHEEL, 16B-2 CHAIN TENSION	508741-1	1	
71	BEARING, 6006 2RSR	096191	2	
72	RING, W55 INSIDE RETAINING	F81090-46	2	
73	SHAFT	508742-1	1	
74	RING, Z30 SPRING RETAINING	F81090-23	2	
75	BUSHING, 8.4/12.5-6 ZINC-PLATED	504040-1	12	
76	WASHER, 8.4 FLAT ZINC	F81054-1	38	
77	NUT, M8-8-B HEX NYLON ZINC LOCK	F81032-2	12	
78	BOLT, M8X30-5.8-B HEX HEAD FULL THREAD Z	F81002-2	12	
79	BOLT, M10x45-8.8 HEX HEAD FULL THREAD ZINC	F81003-3	8	
80	BOLT, M10x60-8.8 HEX HEAD ZINC	F81003-10	2	
81	PLATE, TENSIONER SPACER	511676-1	4	
82	WASHER, 6.4 FLAT ZINC	F81053-1	8	
83	BOLT, M6x20-8.8 HEX HEAD FULL THREAD ZINC	F81001-2	8	
	TENSION WHEEL ASSEMBLY	508734	3	
84	WHEEL, 16B-2 CHAIN TENSION	508741-1	1	
85	BEARING, 6006 2RSR	096191	2	
86	RING, W55 INSIDE RETAINING	F81090-46	2	
87	SHAFT, LONG	508733-1	1	
88	BOLT, M10x150-8.8 HEX HEAD FULL THREAD ZINC	F81003-54	2	
89	NUT, M10-8-B-HEX ZINC	F81033-3	2	
90	KEY, A 8x7x40 PARALLEL	515866	2	

9.3 CC2 Chain Conveyor (Green Chain)



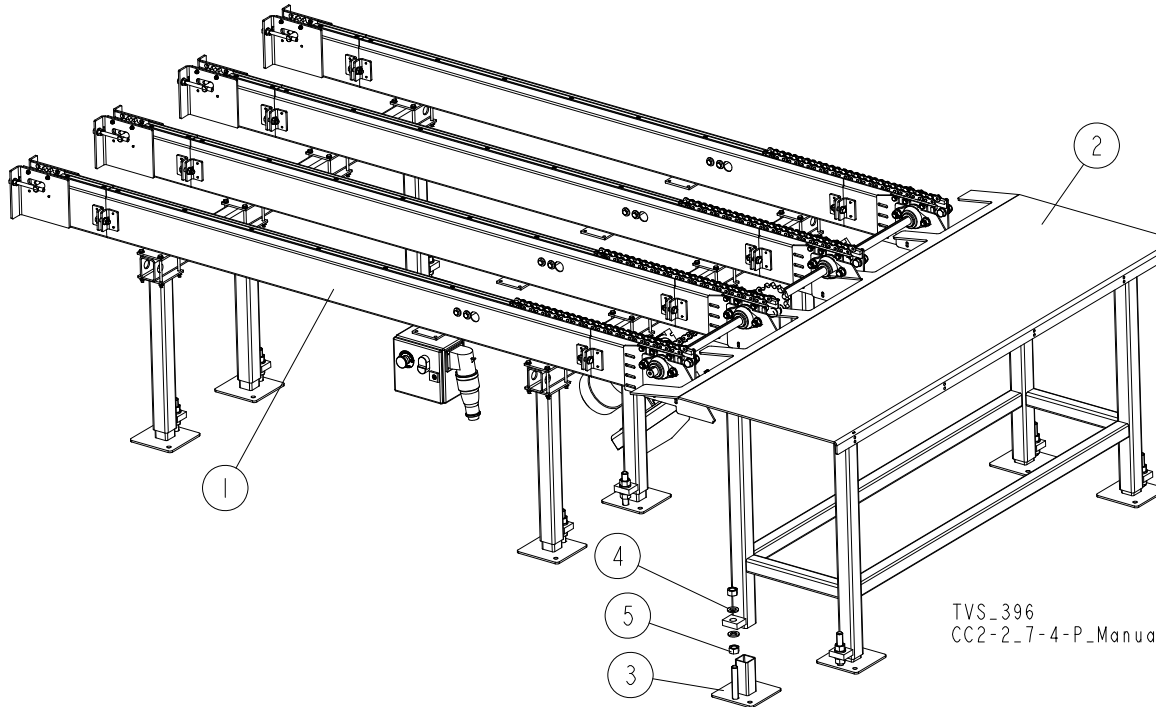
REF	DESCRIPTION (◆ indicates parts available in assemblies only)	PART #	QTY
	CHAIN CONVEYOR W/DRIVE	CC2-4.7	1/0
	CHAIN CONVEYOR W/DRIVE	CC2-6.7	0/1
	CHAIN CONVEYOR W/DRIVE	CC2-2.7	1/1
1	TABLE, WIDE LONG CHAIN See Section 9.9	508379	1
	TABLE, CC2 CONVEYOR SIDE	506043	1
2	TABLE WELDMENT, CC2 CONVEYOR SIDE	506042-1	1
3	FOOT, LES TABLE LEG	099281-1	4
	EXTENSION MODULE See Section 9.9	CC2-EXT	1/2

9.4 CC2 Chain Conveyor -P (Green Chain)



REF	DESCRIPTION (◆ indicates parts available in assemblies only)	PART #	QTY
	CHAIN CONVEYOR W/DRIVE	CC2-4.7-P	1/0
	CHAIN CONVEYOR W/DRIVE	CC2-6.7-P	0/1
	CHAIN CONVEYOR W/DRIVE	CC2-2.7-P	1/1
1	TABLE, WIDE LONG CHAIN See Section 9.9	508379	1
	TABLE, CC2 CONVEYOR SIDE	506043	1
2	TABLE WELDMENT, CC2 CONVEYOR SIDE	506042-1	1
3	FOOT, LES TABLE LEG	099281-1	4
4	WASHER, 21 FLAT ZINC	F81059-2	8
5	NUT, M20-8- HEX ZINC	F81037-1	8
6	PLATE, ELECTRIC BOX	514722-1	1
7	BOX, CTD ELECTRIC	098826	1
8	WASHER, 8.4 FLAT ZINC	F81054-1	8
9	NUT, M8-8-B HEX NYLON ZINC LOCK	F81032-2	6
10	BOLT, M8X30-5.8-B HEX HEAD FULL THREAD Z	F81002-2	6
11	SWITCH, XALJ174F EMERGENCY STOP	E22703-P	1
	EXTENSION MODULE See Section 7.7	CC2-EXT	1/2

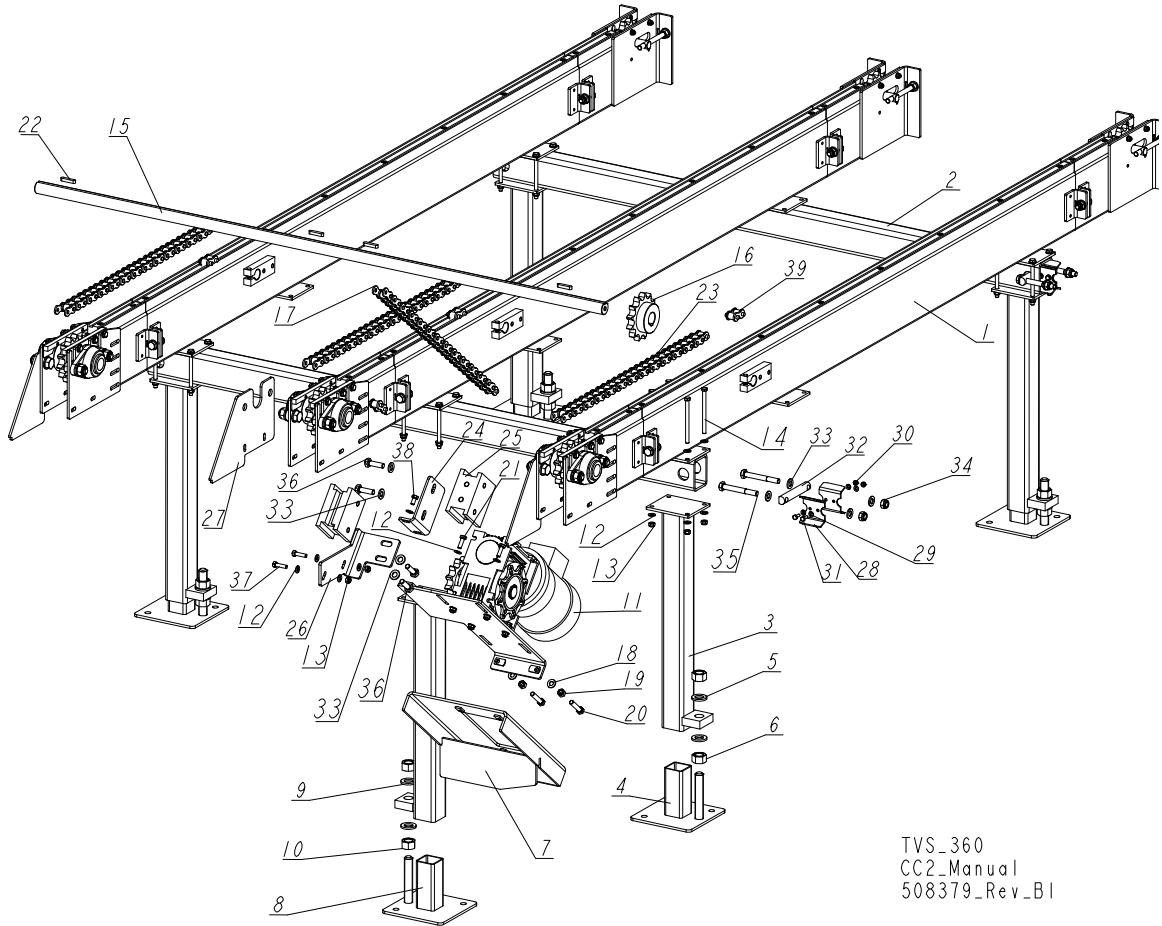
9.5 CC2 Chain Conveyor -4-P (Green Chain)



TVS_396
 CC2-2_7-4-P_Manua

REF	DESCRIPTION (◆ indicates parts available in assemblies only)	PART #	QTY
	CHAIN CONVEYOR W/DRIVE	CC2-2.7-4-P	1
1	TABLE, WIDE LONG CHAIN See Section 9.9	514721	1
	TABLE, CC2 CONVEYOR SIDE	506043	1
2	TABLE WELDMENT, CC2 CONVEYOR SIDE	506042-1	1
3	FOOT, LES TABLE LEG	099281-1	4
4	WASHER, 21 FLAT ZINC	F81059-2	8
5	NUT, M20-8- HEX ZINC	F81037-1	8

9.6 Wide Long Chain Table (508379)



REF	DESCRIPTION (◆ indicates parts available in assemblies only)	PART #	QTY
	TABLE, WIDE LONG CHAIN	508379	1
1	MODULE, CHAIN CONVEYOR - COMPLETE	505985	3
2	TUBE, CONNECTING	505981-1	2
	COMPLETE LONG TABLE LEG	505984	4
3	LEG, LONG	505983-1	1
4	FOOT, LES TABLE LEG	099281-1	1
5	WASHER, 21 FLAT ZINC	F81059-2	2
6	NUT, M20-8- HEX ZINC	F81037-1	2
	COMPLETE MIDDLE LEG	508381	1
7	LEG WELDMENT, TABLE DRIVE SUPPORT	505997-1	1
8	FOOT, LES TABLE LEG	099281-1	1
9	WASHER, 21 FLAT ZINC	F81059-2	2
10	NUT, M20-8- HEX ZINC	F81037-1	2
11	DRIVE ASSEMBLY, CC2 CHAIN CONVEYOR See Section 9.11	505999	1
12	WASHER, 8.4 FLAT ZINC	F81054-1	50
13	NUT, M8-8-B HEX NYLON ZINC LOCK	F81032-2	22
14	BOLT, M8X110-8.8 HEX HEAD ZINC	F81002-53	20

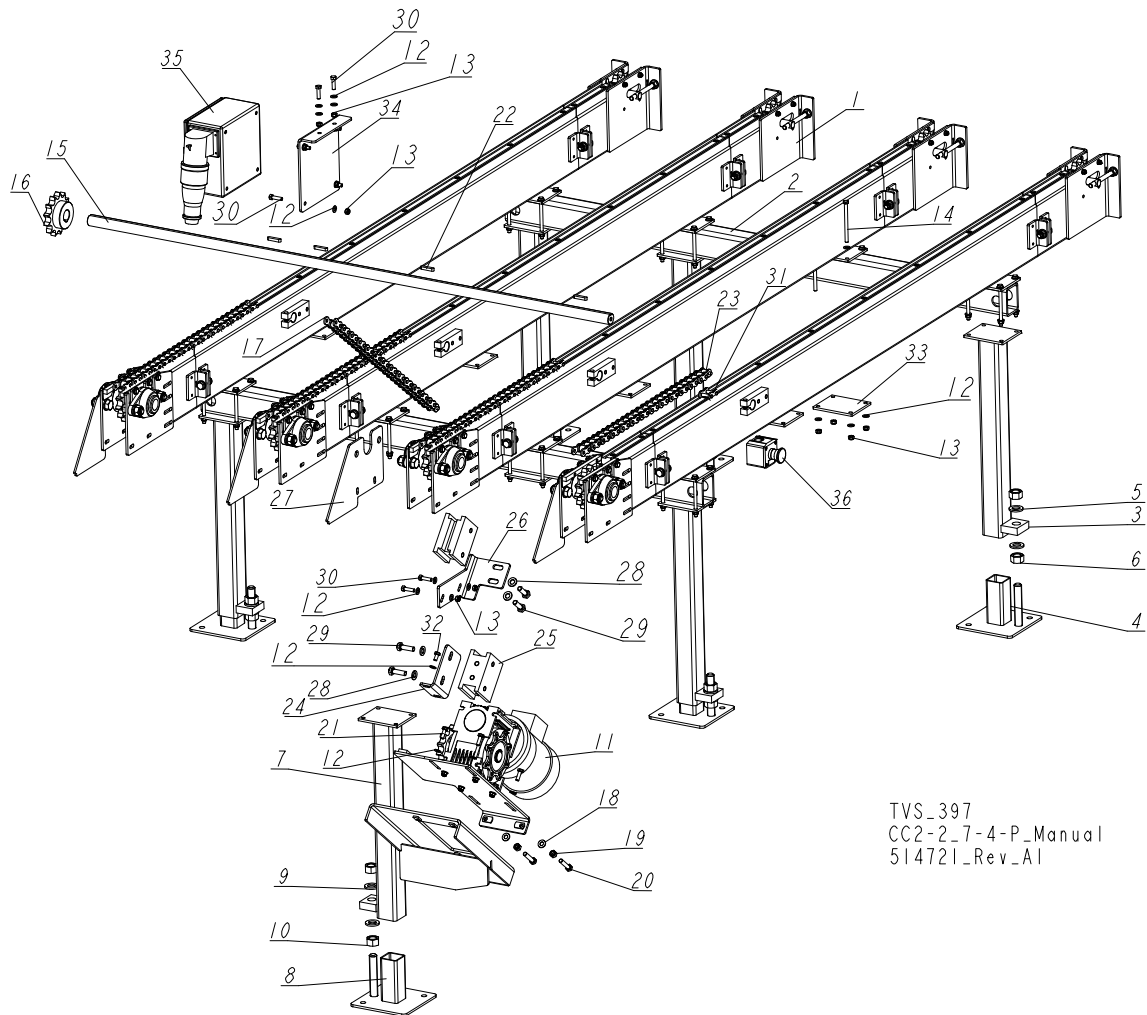


Chain Conveyors

Wide Long Chain Table (508379)

REF	DESCRIPTION (◆ indicates parts available in assemblies only)	PART #	QTY	
15	SHAFT, DRIVE	506215	1	
16	SPROCKET, 13Z16BN30 T44023+T31091	505992	1	
17	CHAIN, 16B-1 - 1.68M	508380	1	
18	WASHER, 10.5 FLAT ZINC	F81055-1	2	
19	NUT, M10-8-B-HEX ZINC	F81033-3	2	
20	BOLT, M10X50-8.8 HEX HEAD FULL THREAD ZINC	F81003-4	2	
21	BOLT, M8X25-8.8-B HEX HEAD FULL THREAD ZINC	F81002-5	4	
22	KEY, A 8X7X40	503407	4	
23	CHAIN, 16B-1 - 5.41M	508382	3	
24	BRACKET, SPROCKET GUARD	501972-1	1	
25	GUARD, SPROCKET	509162	2	
26	PLATE, SPROCKET GUARD MOUNT	509163-1	1	
27	PLATE, BOARD REMOVAL	509459-1	3	
	CONNECTING PLATE ASSEMBLY	511124	2	
28	PLATE, SEGMENT CONNECTION	511125-1	2	
29	WASHER, 6.4 FLAT ZINC	F81053-1_	4	
30	NUT, M6-8-B HEX NYLON ZINC LOCK	F81031-2_	2	
31	BOLT, M6X16-8.8 HEX HEAD FULL THREAD ZINC	F81001-15_	2	
32	PIN, SEGMENT CONNECTION	508366-1	2	
33	WASHER, 13 FLAT ZINC	F81056-1	12	
34	NUT, M12 8 HEX NYLON ZINC LOCK	F81034-2	4	
35	BOLT, M12X95 8.8 HEX HEAD ZINC	F81004-29	4	
36	BOLT, M12X40 8.8 HEX HEAD FULL THR.ZINC	F81004-4	4	
37	BOLT, M8X30-5.8-B HEX HEAD FULL THREAD ZINC	F81002-2	2	
38	BOLT, M8X16-8.8-B HEX HEAD FULL THREAD ZINC	F81002-20	2	
39	LINK, 16B-1 (T 35759)WM1000	504233	4	

9.7 Wide Long Chain Table (514721)



TVS_397
CC2-2_7-4-P_Manual
514721_Rev_AI

REF	DESCRIPTION (◆ indicates parts available in assemblies only)	PART #	QTY
	TABLE, WIDE LONG CHAIN	514721	1
1	MODULE, CHAIN CONVEYOR - COMPLETE	505985	4
2	TUBE, CONNECTING	505981-1	2
	COMPLETE LONG TABLE LEG	505984	5
3	LEG, LONG	505983-1	1
4	FOOT, LES TABLE LEG	099281-1	1
5	WASHER, 21 FLAT ZINC	F81059-2	2
6	NUT, M20-8- HEX ZINC	F81037-1	2
	COMPLETE MIDDLE LEG	508381	1
7	LEG WELDMENT, TABLE DRIVE SUPPORT	505997-1	1
8	FOOT, LES TABLE LEG	099281-1	1
9	WASHER, 21 FLAT ZINC	F81059-2	2
10	NUT, M20-8- HEX ZINC	F81037-1	2
11	DRIVE ASSEMBLY, CC2 CHAIN CONVEYOR See Section 9.11	505999	1
12	WASHER, 8.4 FLAT ZINC	F81054-1	82
13	NUT, M8-8-B HEX NYLON ZINC LOCK	F81032-2	40
14	BOLT, M8X110-8.8 HEX HEAD ZINC	F81002-53	32



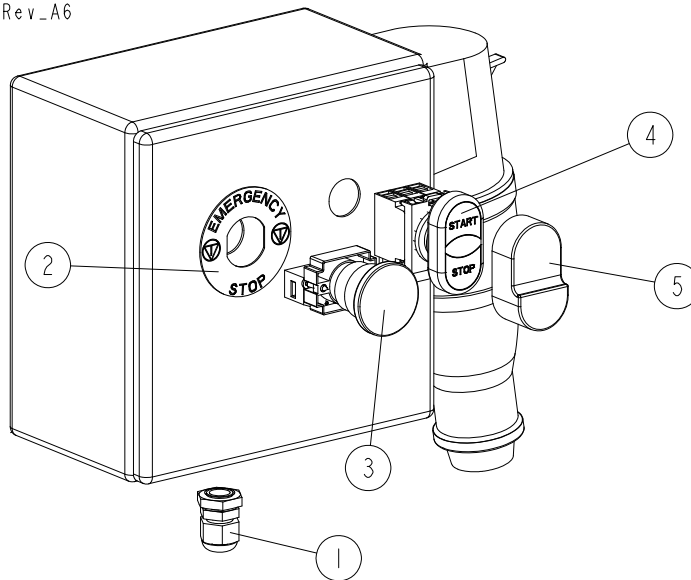
Chain Conveyors

Wide Long Chain Table (514721)

REF	DESCRIPTION (◆ indicates parts available in assemblies only)	PART #	QTY	
15	SHAFT, DRIVE	506215	1	
16	SPROCKET, 13Z16BN30 T44023+T31091	505992	1	
17	CHAIN, 16B-1 - 1.68M	508380	1	
18	WASHER, 10.5 FLAT ZINC	F81055-1	2	
19	NUT, M10-8-B-HEX ZINC	F81033-3	2	
20	BOLT, M10X50-8.8 HEX HEAD FULL THREAD ZINC	F81003-4	2	
21	BOLT, M8X25-8.8-B HEX HEAD FULL THREAD ZINC	F81002-5	4	
22	KEY, A 8X7X40	503407	4	
23	CHAIN, 16B-1 - 5.41M	508382	4	
24	BRACKET, SPROCKET GUARD	501972-1	1	
25	GUARD, SPROCKET	509162	2	
26	PLATE, SPROCKET GUARD MOUNT	509163-1	1	
27	PLATE, BOARD REMOVAL	509459-1	4	
28	WASHER, 13 FLAT ZINC	F81056-1	4	
29	BOLT, M12X40 8.8 HEX HEAD FULL THR.ZINC	F81004-4	4	
30	BOLT, M8X30-5.8-B HEX HEAD FULL THREAD ZINC	F81002-2	8	
31	LINK, 16B MASTER	511686	4	
32	BOLT, M8X16-8.8-B HEX HEAD FULL THREAD ZINC	F81002-20	2	
33	PLATE, LEG MOUNTING	505964-1	2	
34	PLATE, ELECTRIC BOX	514722-1	1	
35	BOX, CTD ELECTRIC	098826	1	
36	SWITCH, XALJ174F EMERGENCY STOP	E22703-P	1	

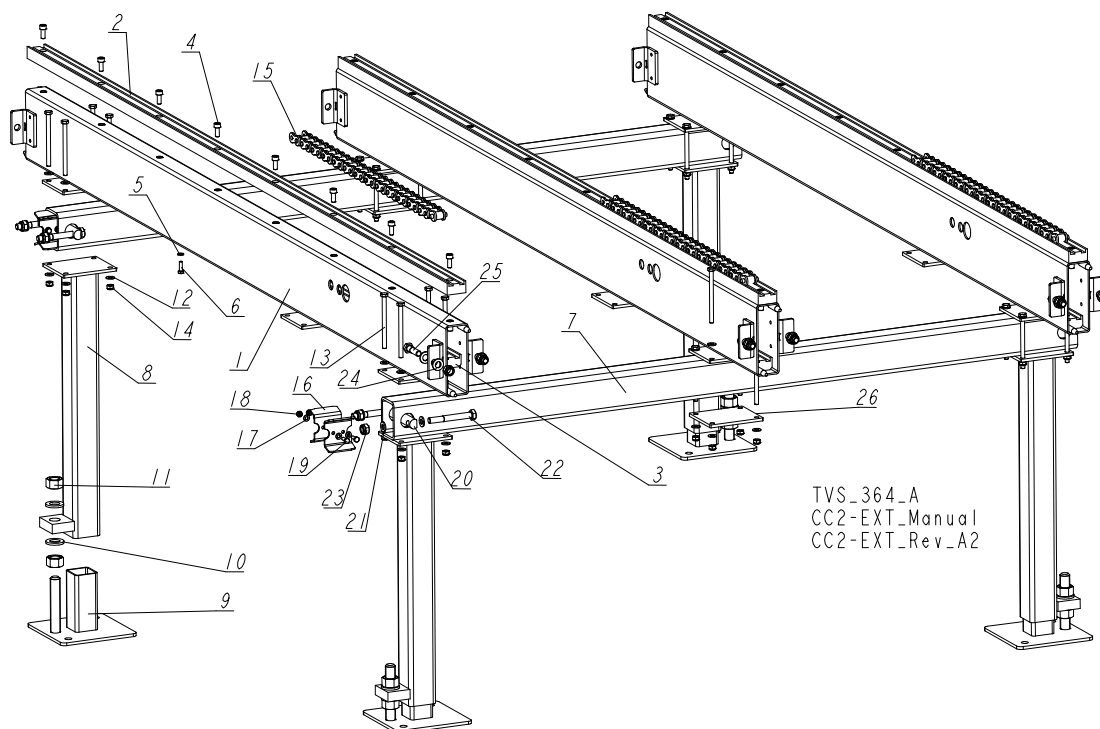
9.8 Electric Box, CC2-P

TVS_398
CC2-2_7-4-P_Manual
098826_Rev_A6



REF	DESCRIPTION (◆ indicates parts available in assemblies only)	PART #	QTY
	BOX, CTD ELECTRIC	098826	1
1	CABLE GLAND DP9/H	F81096-2	1
2	WASHER, EMERGENCY STOP SWITCH	086561	1
3	SWITCH, XB2 BS542 EMERGENCY	086556	1
4	BUTTON, 24V START/STOP	090452	1
5	DIAPHRAGM, M22-T-DD MOELLER	090462	1

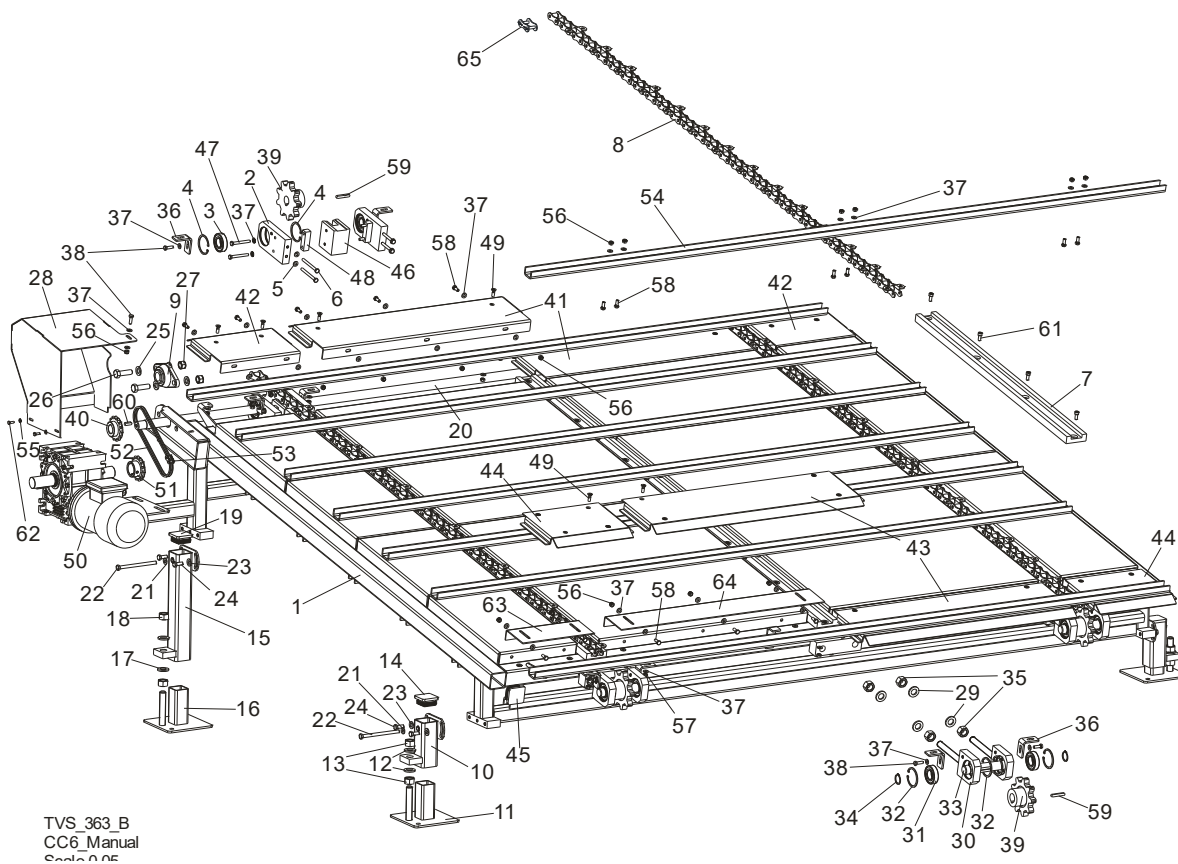
9.9 Extension Module, CC2 Chain Conveyor



REF	DESCRIPTION (◆ indicates parts available in assemblies only)	PART #	QTY
	EXTENSION MODULE, CC2 CHAIN CONVEYOR	CC2-EXT	1
	MODULE, CHAIN CONVEYOR - COMPLETE	505980	3
1	MODULE, CHAIN CONVEYOR	505975-1	1
2	CHANNEL, 1989MM 1"17 PXTS 1001008 CHAIN GUIDE	505976	1
3	CHANNEL, 1940MM 1"17 PXTS 1001008 CHAIN GUIDE	505977	1
4	BOLT, M8 X 20-8.8 SOCKET HEAD	F81002-30	8
5	WASHER, 6.4 FLAT ZINC	F81053-1	3
6	BOLT, M6X20-8.8 HEX HEAD FULL THREAD ZIN	F81001-2	3
7	TUBE, CONNECTING	505981-1	2
	COMPLETE LONG TABLE LEG	505984	4
8	LEG, LONG	505983-1	1
9	FOOT, LES TABLE LEG	099281-1	1
10	WASHER, 21 FLAT ZINC	F81059-2	2
11	NUT, M20-8- HEX ZINC	F81037-1	2
12	WASHER, 8.4 FLAT ZINC	F81054-1	48
13	BOLT, M8X110-8.8 HEX HEAD ZINC	F81002-53	24
14	NUT, M8-8-B HEX NYLON ZINC LOCK	F81032-2	24
15	CHAIN, 16B-1 - 3.98M	513391	3
	CONNECTING PLATE ASSEMBLY	511124	2
16	PLATE, SEGMENT CONNECTION	511125-1	2
17	WASHER, 6.4 FLAT ZINC	F81053-1_	4
18	NUT, M6-8-B HEX NYLON ZINC LOCK	F81031-2_	2
19	BOLT, M6X16-8.8 HEX HEAD FULL THREAD ZINC	F81001-15_	2

REF	DESCRIPTION (◆ indicates parts available in assemblies only)	PART #	QTY	
20	PIN, SEGMENT CONNECTION	508366-1	2	
21	WASHER, 10.5 FLAT ZINC	F81055-1	8	
22	BOLT, M12X95 8.8 HEX HEAD ZINC	F81004-29	4	
23	NUT, M12 8 HEX NYLON ZINC LOCK	F81034-2	10	
24	WASHER, 13 FLAT ZINC	F81056-1	12	
25	BOLT, M12 X 45-8.8 HEX HEAD FULL THREAD	F81004-32	6	
26	PLATE, LEG MOUNTING	505964-1	2	

9.10 CC6 Incline Conveyor



TVS_363_B
 CC6_Manual
 Scale: 0.05

REF	DESCRIPTION (◆ indicates parts available in assemblies only)	PART #	QTY
	CONVEYOR, INCLINE	CC6	1
	CONVEYOR, INCLINE	511055	1
1	TABLE, INCLINE CONVEYOR	511053	1
	BEARING HOUSING ASSEMBLY	510453	6
2	BLOCK, BEARING HOUSING	510452-1	1
3	BEARING, 6206 2RSR P6 ROLLING (FAG, NSK,	100787	1
4	RING, W62 INSIDE RETAINING	F81090-1	2
5	WASHER, 8.4 FLAT ZINC	F81054-1	2
6	BOLT, M8x90-8.8 HEX HEAD FULL THREAD ZINC	F81002-16	2
7	CHANNEL, CHAIN GUIDE	510090	6
8	CHAIN, INCLINE CONVEYOR	510091	3
9	BEARING, UCFL 206 CX W/HOUSING	090851	1
	ADJUSTABLE LEG	510113	2
10	LEG WELDMENT, ADJUSTABLE	510112-1	1
11	FOOT, LES TABLE LEG	099281-1	1
12	WASHER, 21 FLAT ZINC	F81059-2	2
13	NUT, M20-8- HEX ZINC	F81037-1	2
14	CAP, SR 1540 199211 OUTRIGGER LEG	089710	1
	FRONT ADJUSTABLE LEG - COMPLETE	510118	2
15	FRONT LEG WELDMENT	510116-1	1

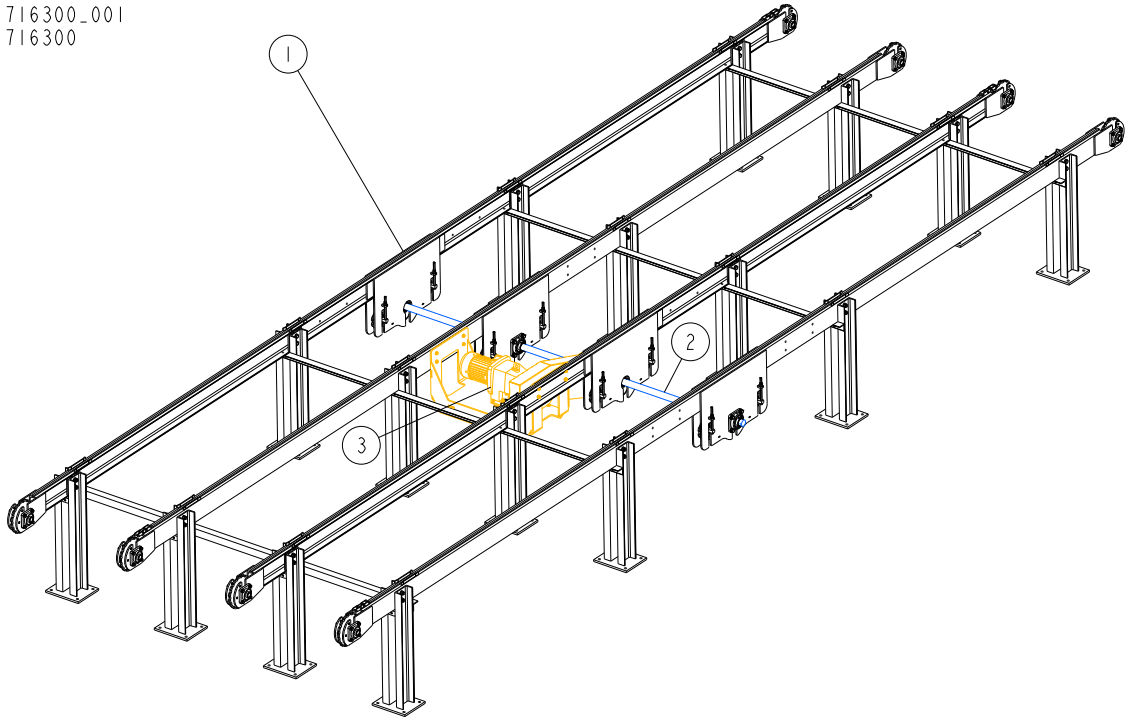
16	FOOT, LES TABLE LEG	099281-1	1	
17	WASHER, 21 FLAT ZINC	F81059-2	2	
18	NUT, M20-8- HEX ZINC	F81037-1	2	
19	CAP, SR 1540 199211 OUTRIGGER LEG	089710	1	
20	SHAFT, DRIVE SPROCKET	511057	1	
21	WASHER, 10.5 FLAT ZINC	F81055-1	4	
22	BOLT, M10x140-8.8 HEX HEAD FULL THREAD ZINC	F81003-39	4	
23	WASHER, 13 FLAT ZINC	F81056-1	8	
24	BOLT, M10X25-8.8-FE/ZN5	F81003-11	8	
25	WASHER, 17 FLAT ZINC	F81058-1	4	
26	BOLT, M16 X 50-8.8 HEX HEAD	F81006-7	2	
27	NUT, M16-8 HEX NYLON ZINC LOCK	F81036-2	2	
28	GUARD, CONVEYOR DRIVE	510153-1	1	
29	WASHER, 21 FLAT ZINC	F81059-2	12	
	COMPLETE CHAIN TENSIONER	510455	6	
30	TENSIONER, CHAIN	510454-1	1	
31	BEARING, 6206 2RSR P6 ROLLING (FAG, NSK,	100787	1	
32	RING, W62 INSIDE RETAINING	F81090-1	2	
33	SHAFT, TENSION SPROCKET	510098	3	
34	RING, Z30 SPRING RETAINING	F81090-23	6	
35	NUT, M20-8- HEX ZINC	F81037-1	12	
36	BRACKET, COVER PLATE	510574-1	12	
37	WASHER, 8.4 FLAT ZINC	F81054-1	179	
38	BOLT, M8x25-8.8-B HEX HEAD FULL THREAD ZINC	F81002-5	13	
39	SPROCKET	510094-1	6	
40	SPROCKET, 10B Z15 FI28	097947	1	
41	PLATE, FRONT LONG	510572-1	2	
42	PLATE, FRONT SIDE SHORT	510585-1	2	
43	PLATE, REAR LONG	510576-1	2	
44	PLATE, REAR SIDE SHORT	510588-1	2	
45	CAP, SR 1540 199211 OUTRIGGER LEG	089710	4	
46	BLOCK, SPROCKET GUARD	510155	3	
47	BOLT, M8x65 8.8 HEX HEAD FULL THREAD ZINC	F81002-9	12	
48	PLATE, SPACER	511066-1	6	
49	BOLT, M8X25 PAN HEAD ZINC	F81002-51	22	
50	MOTOREDCER, MR-80/64-1.1-1400/K3/V6	098663	1	
51	SPROCKET, 10B Z15 T75122	099935	1	
52	CHAIN, 10B-35PZ PN77/M-84168 ROLLER	092957	1	
53	LINK, 10B-1Pz MASTER	088671	1	
54	CHANNEL, SLAB PUSHER	510009-1	15	
55	WASHER, 6.4 FLAT ZINC	F81053-1	2	
56	NUT, M8-8-B HEX NYLON ZINC LOCK	F81032-2	111	
57	NUT, M8-8-B HEX ZINC	F81032-1	22	
58	BOLT, M8X20-8.8 HEX HEAD FULL THREAD ZIN	F81002-1	110	
59	KEY, A8X7X50 PARALLEL	088563	6	
60	KEY, AB 8X7X25 PARALLEL	099848	1	
61	SCREW, M8x20-8.8 HEX SOCKET HEAD CAP ZINC	F81002-30	24	

9**Chain Conveyors***CC6 Incline Conveyor*

62	BOLT, M6x16 8.8 HEX HEAD FULL THREAD ZINC	F81001-15	2	
63	PLATE, REAR SIDE SHORT	510589-1	2	
64	PLATE, REAR LONG	510577-1	2	
65	LINK, CHAIN 510091	515865	3	

9.13 Green Chain 716300

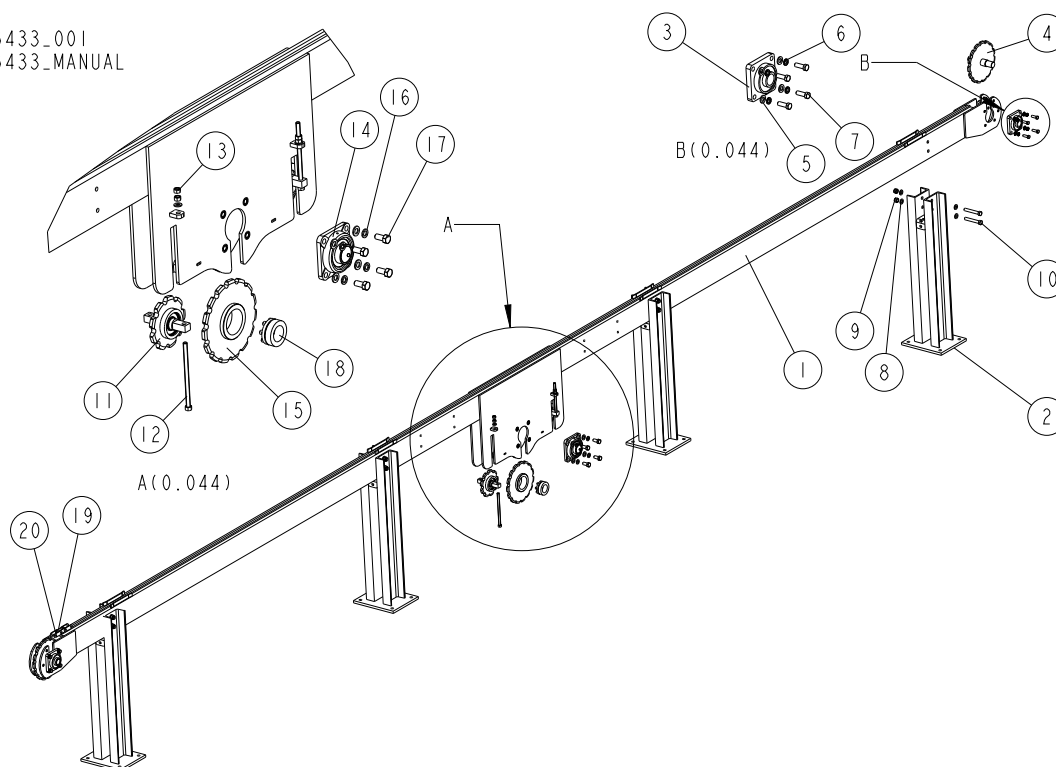
716300_001
716300



REF	DESCRIPTION (◆ indicates parts available in assemblies only)	PART #	QTY
-	GREEN CHAIN	716300	1
1	SEGMENT, CHAIN CONVEYOR GREEN See Section 9.14	716433	4
2	AXLE, DRIVE	716439-1	1
3	DRIVE ASSEMBLY See Section 9.16	716443	1

9.14 Green Chain 716433

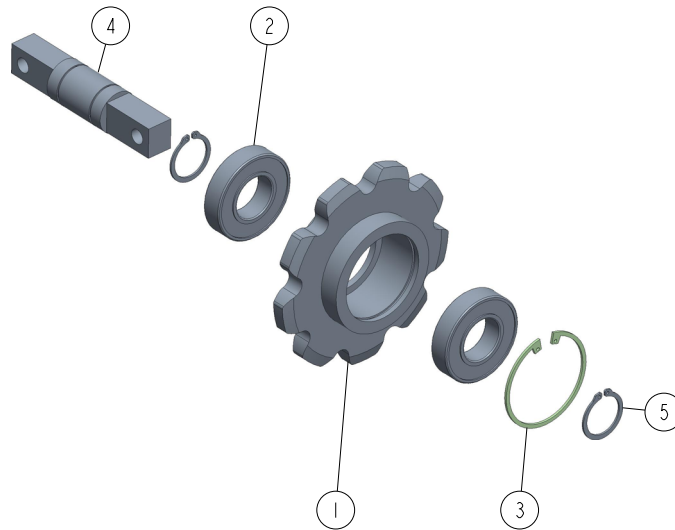
716433_001
716433_MANUAL



REF	DESCRIPTION (◆ indicates parts available in assemblies only)	PART #	QTY
-	SEGMENT, CHAIN CONVEYOR GREEN	716433	1
1	GUIDE SET, CHAIN	716391-1	1
2	LEG SET, CONVEYOR	718090-1	4
3	BEARING, UCF 207 W/HOUSING	097668	4
4	SPROCKET, C216AH Z=25 WLDMT	716402	2
5	WASHER, 13 FLAT ZINC	F81056-1	20
6	WASHER, 12.2 SPLIT LOCK	F81056-2	16
7	BOLT, M12 X 35-8.8 HEX HEAD FULL THREAD	F81004-24	16
8	WASHER, 17 FLAT ZINC	F81058-1	20
9	NUT, M16-8 HEX NYLON ZINC LOCK	F81036-2	8
10	BOLT, M16X110-8.8-B HEX HEAD ZINC	F81006-24	8
11	SPROCKET, BEARING See Section 9.15	716408-1	2
12	BOLT, M12X220 SPECIAL WLDMT/ZINC	504366-1	4
13	NUT, M12-8 HEX ZINC	F81034-1	8
14	ZESPÓŁ ŁOZYSKOWY UCF 210 FAG/SKF/NSK/INA	523104	1
15	SPROCKET, C216AH Z=25 WLDMT	716413-1	1
16	WASHER, 17 SPLIT LOCK	F81058-2	4
17	BOLT, M16X35-8.8 HEX HEAD FULL THREAD ZI	F81006-74	4
18	SLEEVE, BK13 (323630 HABERKORN) CLAMPING	716430	1
19	CHAIN, C216AH L=20M (HABERKORN 552905)	716447	1
20	LINK, C216AH (HABERKORN 553946) MASTER	716448	1

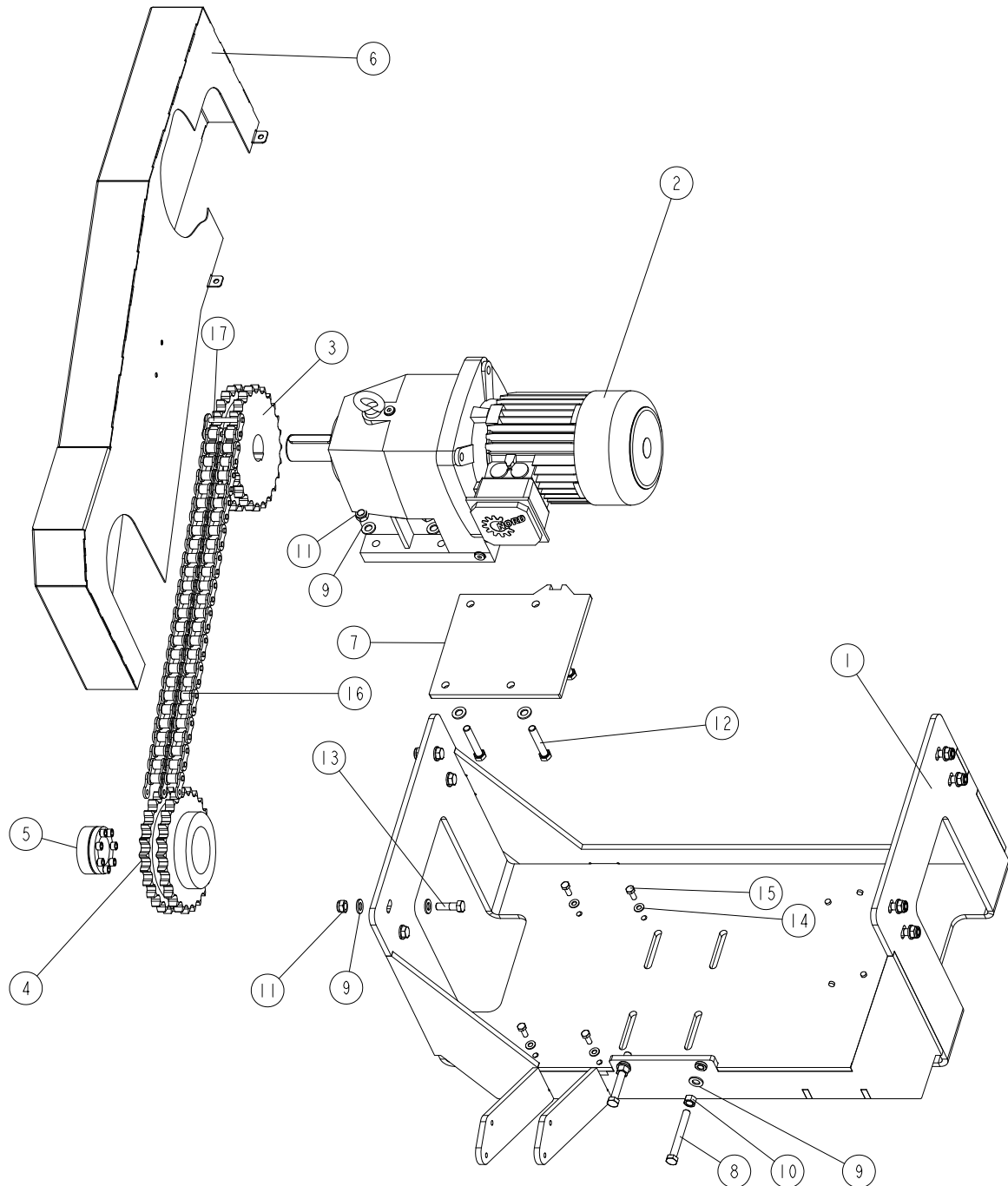
9.15 Sprocket (No. 716408-1)

716408-1_001
716408-1_MANUAL



REF.	DESCRIPTION (◆ indicates parts available in assemblies only)	PART #	QTY	
-	SPROCKET, BEARING	716408-1	1	
1	SPROCKET WELDMENT, C216AH Z=9	716406	1	
2	BEARING, 6207-2RS, C3, 35X72X17	014811	2	
3	RING, 72MM OD N5002-281 RETAINING	F04254-30	1	
4	SHAFT	716409	1	
5	RING, Z35 OUTSIDE RETAINING	F81090-36	2	

9.16 Drive Assembly (No. 716443)

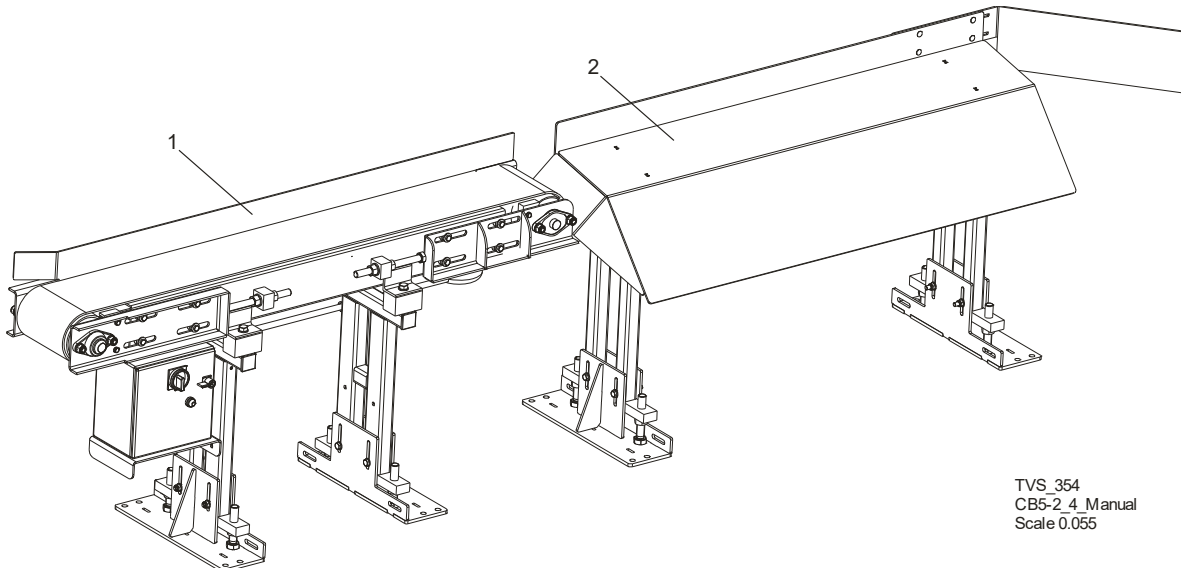
716443_001
716443_MANUAL

Ref.	DESCRIPTION (* indicates parts available in assemblies only)	PART #	QTY
-	DRIVE ASSEMBLY	716443	1
1	PLATE, DRIVE MOUNTING	716438-1	1
2	MOTOREDUCER, 2.2 KW 42RPM SK42 VL=100LP/4 TF	716435	1
3	SPROCKET, 16B-2 Z=25 (T44095 + T31141)	716441	1
4	SPROCKET, 16B-2 Z=25	716440-1	1

Ref.	DESCRIPTION (* indicates parts available in assemblies only)	PART #	QTY
5	SLEEVE, BK13 (323630 HABERKORN) CLAMPING	716430	1
6	COVER, WELDMENT	716389-1	1
7	PLATE, ENGINE MOUNT	716444-1	1
8	BOLT,M12X100 8.8 HEX HEAD FULL THREAD ZINC	F81004-45	2
9	WASHER, 13 FLAT ZINC	F81056-1	26
10	NUT, M12-8 HEX ZINC	F81034-1	2
11	NUT, M12- 8 DIN 982 NYLON ZINC	F81034-2	12
12	BOLT, M12X70-8.8 HEX HEAD ZINC	F81004-39	4
13	BOLT, M12X40-8.8 HEX HEAD	F81004-1	8
14	WASHER, 8.4 FLAT ZINC	F81054-1	4
15	BOLT, M8X20 8.8 HEX HEAD FULL THREAD ZINC	F81002-4	4
16	CHAIN, 16B-2 - 2.2M	716449	1
17	LINK, 16B-2 (T36073 ULMER) MASTER	506635	1

SECTION 10 BELT CONVEYORS

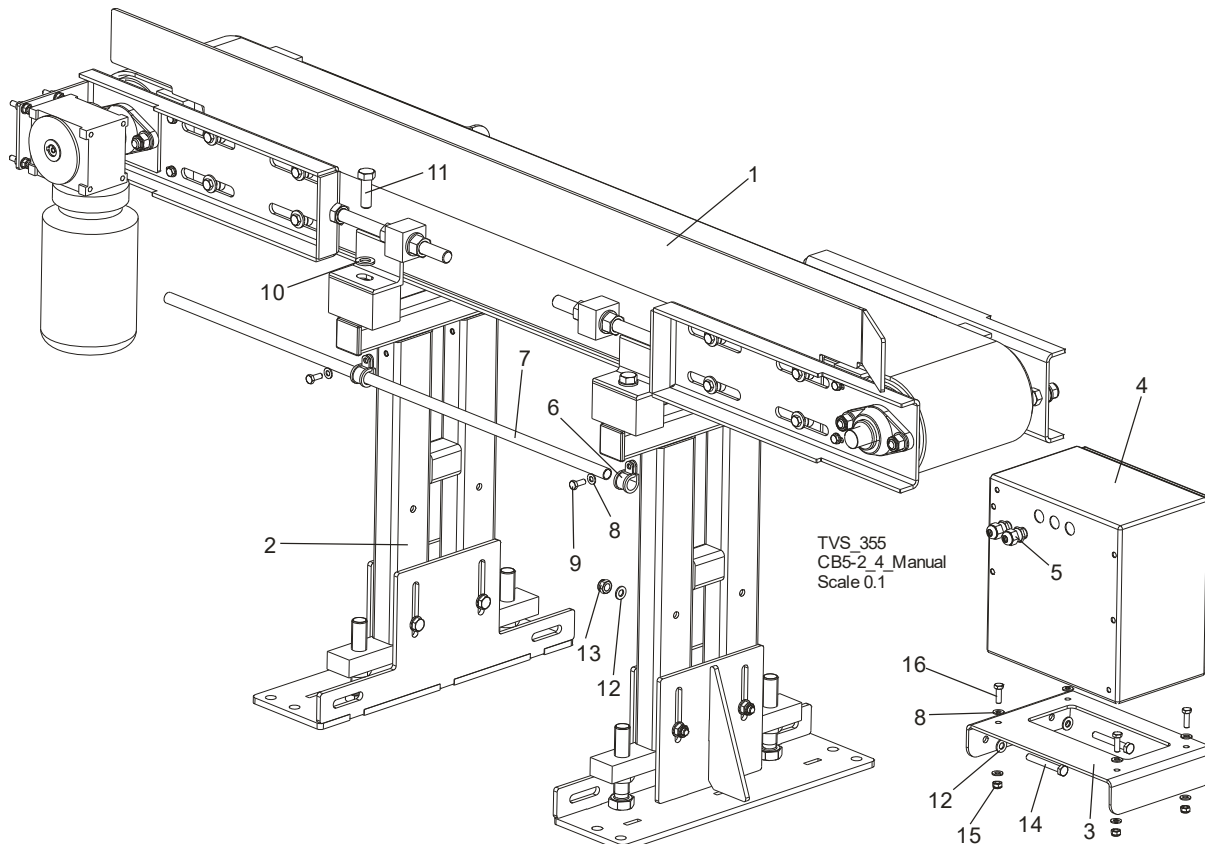
10.1 CB5 Belt Conveyor



TVS_354
CB5-2_4_Manual
Scale 0.055

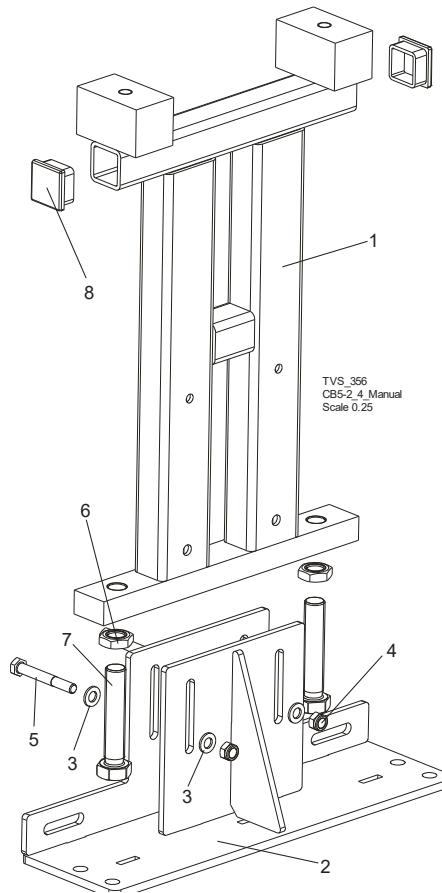
REF	DESCRIPTION (◆ indicates parts available in assemblies only)	PART #	QTY	
	COMPLETE BELT CONVEYOR	CB5-2_4	1	
1	BELT CONVEYOR (L=1.5) See Section 10.2	510995	1	
2	TABLE, 1.6 M SLAB REMOVAL - COMPLETE See Section 10.5	510205	1	
	COMPLETE BELT CONVEYOR	CB5-3_6	1	
1	BELT CONVEYOR (L=2.5) See Section 10.2	511083	1	
2	TABLE, SLAB REMOVAL - COMPLETE See Section 10.5	510890	1	

10.2 Belt Conveyor



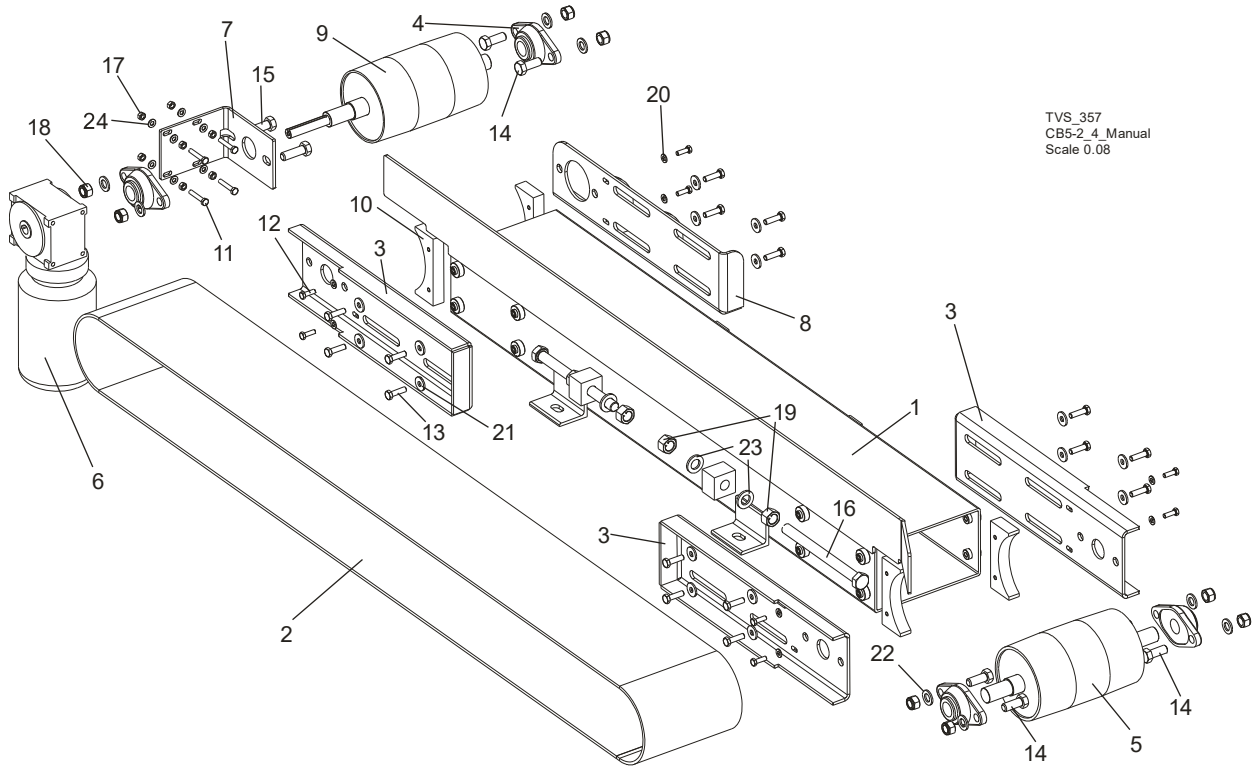
REF	DESCRIPTION (◆ indicates parts available in assemblies only)	PART #	QTY
	BELT CONVEYOR (L=1.5)	510995	1/0
	BELT CONVEYOR (L=2.5)	511083	0/1
1	BELT CONVEYOR TABLE - COMPLETE See Section 10.4	511000	1/0
	BELT CONVEYOR TABLE See Section 10.4	511082	0/1
2	BELT CONVEYOR LEG - COMPLETE See Section 10.4	510994	2
3	PLATE, ELECTRIC BOX MOUNT	511101-1	1
4	BOX, BELT CONVEYOR ELECTRIC	509142	1
5	GLAND, DP 11/H CABLE	085388	2
6	CLIP, RSGU 1.20/20 RETAINING	F81087-2	2
7	PIPE, ELECTRICAL CABLE HANGER	511677-1	1/0
	PIPE, ELECTRICAL CABLE HANGER	511657-1	0/1
8	WASHER, 8.4 FLAT ZINC	F81054-1	10
9	BOLT, M8X20-8.8 HEX HEAD FULL THREAD ZIN	F81002-1	2
10	WASHER, 17 FLAT ZINC	F81058-1	4
11	BOLT, M16 X 50-8.8 HEX HEAD	F81006-7	4
12	WASHER, 10.5 FLAT ZINC	F81055-1	4
13	NUT, M12 8 HEX NYLON ZINC LOCK	F81034-2	2
14	BOLT, M10x75-8.8 HEX HEAD ZINC	F81003-15	2
15	NUT, M8-8-B HEX NYLON ZINC LOCK	F81032-2	4
16	BOLT, M8x25-8.8-B HEX HEAD FULL THREAD ZINC	F81002-5	4

10.3 Belt Conveyor Leg



REF	DESCRIPTION (◆ indicates parts available in assemblies only)	PART #	QTY
	BELT CONVEYOR LEG - COMPLETE	510994	1
1	LEG WELDMENT, BELT CONVEYOR	510992-1	1
2	FOOT WELDMENT, CONVEYOR LEG	502750-1	2
3	WASHER, 13 FLAT ZINC	F81056-1	4
4	NUT, M12 8 HEX NYLON ZINC LOCK	F81034-2	2
5	BOLT, M12X90 8.8 HEX HEAD ZINC	F81004-2	2
6	NUT, M24-04-B HEX THIN ZINC	F81039-3	2
7	BOLT, M24X120 8.8 HEX HEAD FULL THREAD ZINC	F81009-6	2
8	CAP, 50X50 (3-5MM THICK) (199274MOSS) TU	095371	2

10.4 Belt Conveyor Table



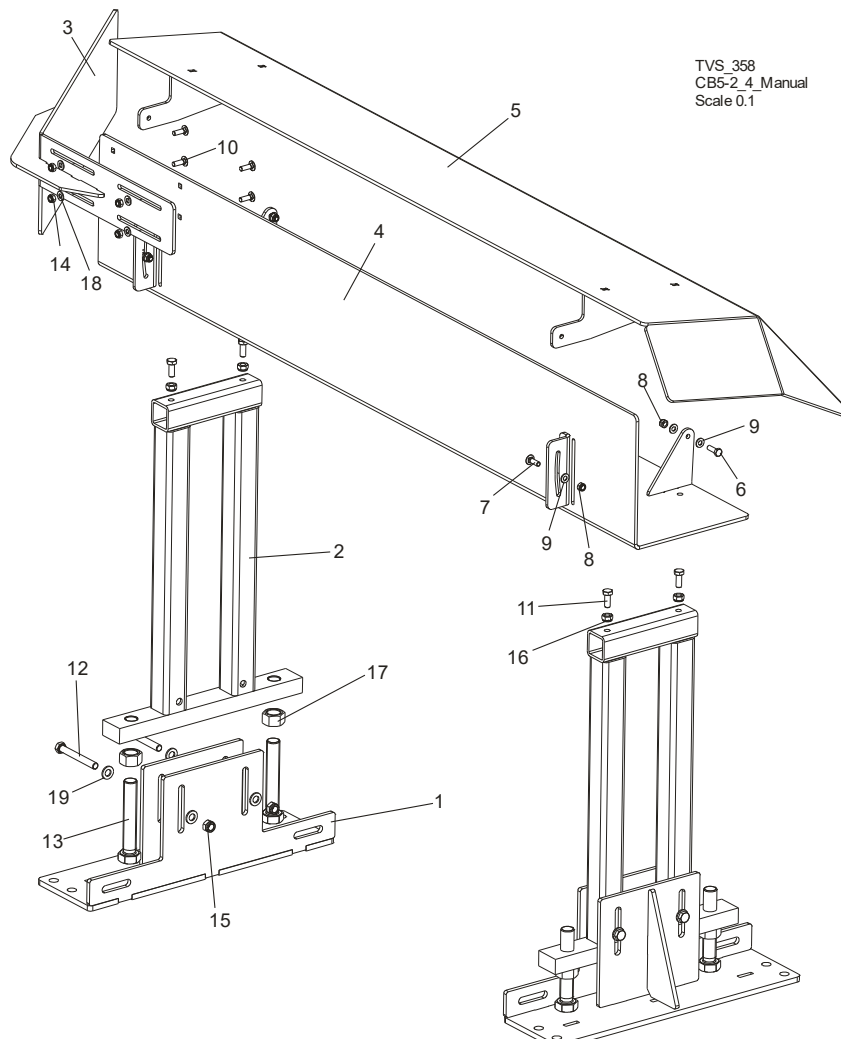
TVS_357
CB5-2_4_Manual
Scale 0.08

REF	DESCRIPTION (◆ indicates parts available in assemblies only)	PART #	QTY
	BELT CONVEYOR TABLE - COMPLETE	511000	1/0
	BELT CONVEYOR TABLE	511082	0/1
1	TABLE WELDMENT, BELT CONVEYOR	510990-1	1/0
	TABLE WELDMENT, BELT CONVEYOR	511080-1	0/1
2	CONVEYOR BELT (L=1.5)	510993	1/0
	CONVEYOR BELT	511081	0/1
3	BRACKET, SHR-F PULLEY MOUNT	094889-1	3
4	BEARING, UCFL 206 CX W/HOUSING	090851	4
5	PULLEY, SHR-F IDLE SIDE	094892-1	1
6	MOTOREDUCER, MRA-04/15.5/D4/STN	597539	1
7	BRACKET, SHR-F GEAR BOX MOUNT	598767-1	1
8	BRACKET, PULLEY RIGHT	511085-1	1
9	PULLEY WELDMENT, DRIVE	511086-1	1
10	GUARD, PULLEY	511123	4
11	BOLT, M6X45MM,HEX HEAD GR5(8.8)F/T ZINC	F81001-6	4
12	BOLT, M8x25-8.8-B HEX HEAD FULL THREAD ZINC	F81002-5	8
13	BOLT, M10x35-8.8 HEX HEAD FULL THREAD ZINC	F81003-17	16
14	BOLT, M16x40-8.8 HEX HEAD FULL THREAD ZINC	F81006-13	6
15	BOLT, M16 X 50-8.8 HEX HEAD	F81006-7	2
16	BOLT, M20x240-8.8 HEX HEAD FULL THREAD ZINC	F81007-1	4
17	NUT, M6-8 HEX ZINC	F81031-1	8
18	NUT, M16-8 HEX NYLON ZINC LOCK	F81036-2	8

10**BELT CONVEYORS***Belt Conveyor Table*

19	NUT, M20-8- HEX ZINC	F81037-1	8	
20	WASHER, 8.4 FLAT ZINC	F81054-1	8	
21	WASHER, 10.5 SPECIAL FLAT ZINC	F81055-6	16	
22	WASHER, 17 FLAT ZINC	F81058-1	8	
23	WASHER, 21 FLAT ZINC	F81059-2	8	
24	WASHER, 6.4 FLAT ZINC	F81053-1	8	

10.5 Slab Removal Table



REF	DESCRIPTION (◆ indicates parts available in assemblies only)	PART #	QTY
	TABLE, 1.6 M SLAB REMOVAL - COMPLETE	510205	1/0
	TABLE, SLAB REMOVAL - COMPLETE	510890	0/1
1	FOOT WELDMENT, CONVEYOR LEG	502750-1	2
2	LEG WELDMENT, SLAB REMOVAL TABLE	510204-1	2
3	PLATE WELDMENT, SLAB STOP	510242-1	1
	TABLE TOP, SLAB REMOVAL - COMPLETE	510195	1/0
	TABLE TOP, SLAB REMOVAL	510885	0/1
4	PLATE WELDMENT, TABLE TOP - LOWER	510190-1	1/0
	PLATE WELDMENT, TABLE TOP - LOWER	510886-1	0/1
5	PLATE WELDMENT, TABLE TOP - UPPER	510194-1	1/0
	PLATE WELDMENT, TABLE TOP - UPPER	510888-1	0/1
6	BOLT, M8x25-8.8-B HEX HEAD FULL THREAD ZINC	F81002-5	2
7	BOLT, M8X25 8.8 CARRIAGE ZINC	F81002-59	2
8	NUT, M8-8-B HEX NYLON ZINC LOCK	F81032-2	4
9	WASHER, 8.4 FLAT ZINC	F81054-1	6
10	BOLT, M8X25 8.8 CARRIAGE ZINC	F81002-59	4

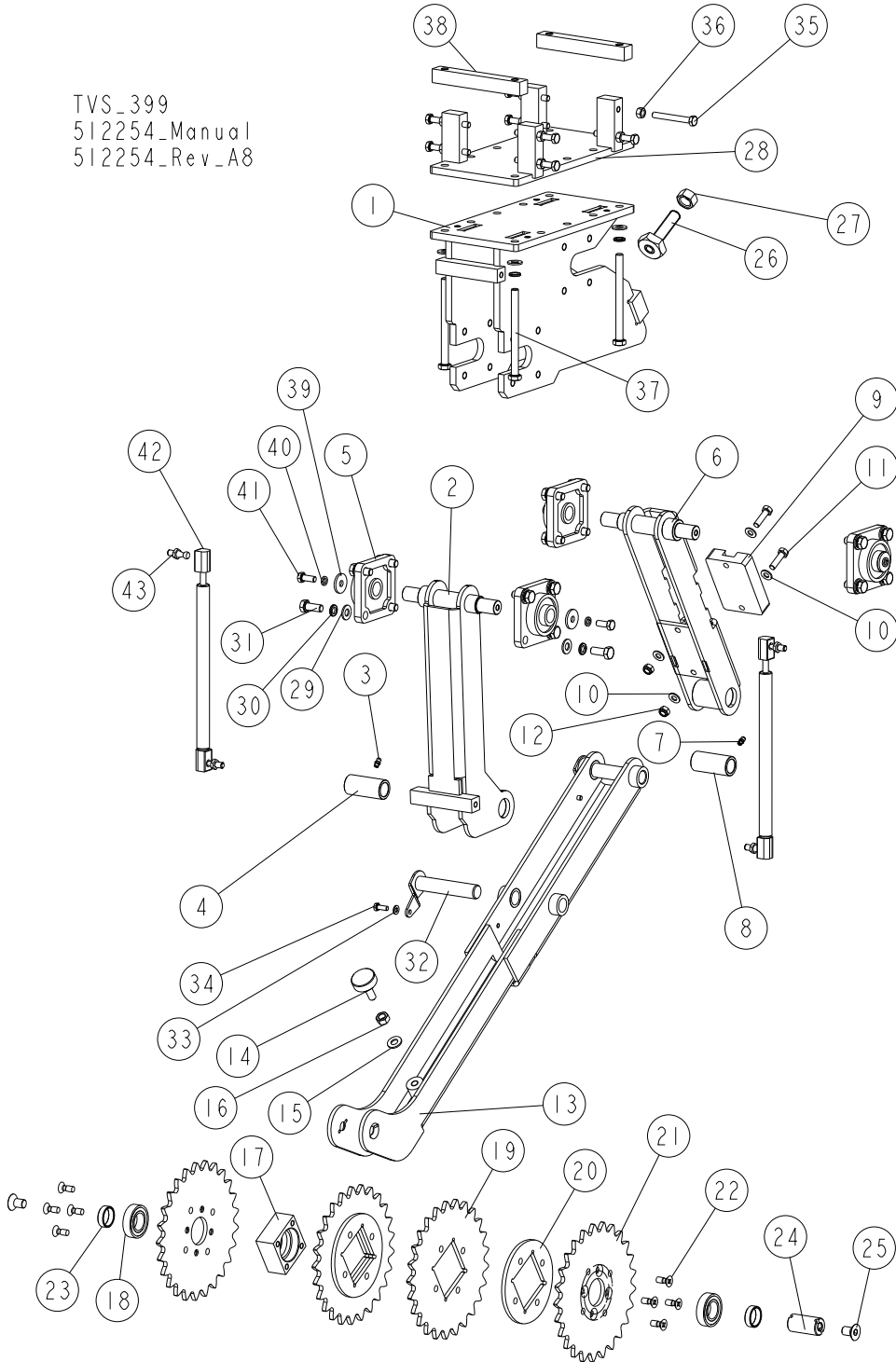
10**BELT CONVEYORS***Slab Removal Table*

11	BOLT, M10X25-8.8-FE/ZN5	F81003-11	4	
12	BOLT, M12X100 8.8 HEX HEAD FULL THREAD ZINC	F81004-45	4	
13	BOLT, M24x140 8.8 HEX HEAD FULL THREAD ZINC	F81009-14	4	
14	NUT, M8-8-B HEX NYLON ZINC LOCK	F81032-2	4	
15	NUT, M12 8 HEX NYLON ZINC LOCK	F81034-2	4	
16	NUT, M10-8-B HEX NYLON ZINC LOCK	F81033-1	4	
17	NUT, M24-8-B HEX ZINC	F81039-12	4	
18	WASHER, 8.4 FLAT ZINC	F81054-1	4	
19	WASHER, 13 FLAT ZINC	F81056-1	8	

SECTION 11 HOLD-DOWN ROLLERS ASSEMBLIES

11.1 Hold-Down Roller

TVS_399
512254_Manual
512254_Rev_A8

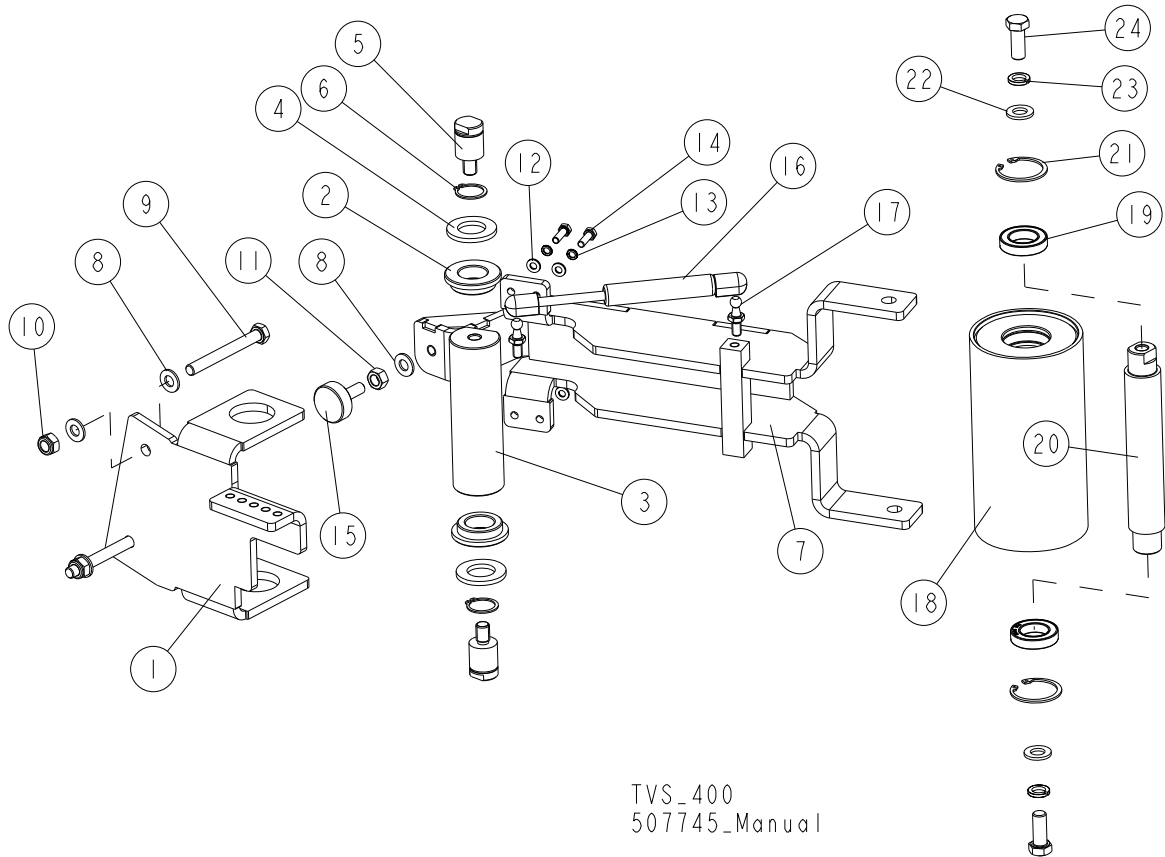


REF	DESCRIPTION (◆ indicates parts available in assemblies only)	PART #	QTY
	ROLLER ASSEMBLY, HOLD-DOWN	512254	1
1	BRACKET WELDMENT, ROLLER MOUNT	512253-1	1

REF	DESCRIPTION (◆ indicates parts available in assemblies only)	PART #	QTY	
	ARM, TVS HOLD-DOWN ROLLER (II)	512275	1	
2	ARM WELDMENT, TVS HOLD-DOWN ROLLER (II)	512319-1	1	
3	FITTING, 3/16" GREASE	086280	1	
4	BUSHING, SLIDE	512325	1	
5	BEARING, UCF 204 W/HOUSING	097667	4	
	ARM, TVS HOLD-DOWN ROLLER (III)	512273	1	
6	ARM, TVS HOLD-DOWN ROLLER (III)	512342	1	
7	FITTING, 3/16" GREASE	086280	1	
8	BUSHING, SLIDE	512325	1	
9	BUMPER, GRENE 70 3201 0010 RUBBER	094969	1	
10	WASHER, 8.4 FLAT ZINC	F81054-1	4	
11	BOLT, M8X30-5.8-B HEX HEAD FULL THREAD Z	F81002-2	2	
12	NUT, M8-8-B HEX NYLON ZINC LOCK	F81032-2	2	
	ARM, TVS HOLD-DOWN ROLLER (I)	512272	1	
13	ARM WELDMENT, TVS HOLD-DOWN ROLLER (I)	512320-1	1	
14	BUMPER	092839	1	
15	WASHER, 10.5 FLAT ZINC	F81055-1	1	
16	NUT, M10-8-B-HEX ZINC	F81033-3	1	
	ROLLER, HOLD-DOWN (NARROW)	512352	1	
17	BLOCK, HOLD-DOWN ROLLER INSIDE	512353-1	1	
18	BEARING, 6005 2RS PN-85/M-86100	089652	2	
19	WHEEL, N200 TOOTHED ZINC-PL. CLAMPING	500028-1	2	
20	SPACER	500029-1	3	
21	WHEEL, N200 TOOTHED ZINC-PL. CLAMPING	512351-1	2	
22	SCREW, M8X20-5.8 CROSS RECESSED COUNTERSUNK HEAD ZINC	F81002-94	8	
23	BUSHING, ZINC-PLATED SPACER	512354-1	2	
24	BUSHING, N25 SPACER	512355-1	1	
25	SCREW, M12X20-10.9 DIN7991 FLAT SOCKET HEAD CAP ZINC	F81004-95	2	
26	BOLT, M16	505006	1	
27	NUT, 5/8-11 HEX	F81036-1	1	
28	PLATE, COMPLETE TOP	503435-1	1	
29	WASHER, 10.5 FLAT ZINC	F81055-1	20	
30	WASHER, Z 10.2 SPLIT LOCK ZINC	F81055-2	20	
31	BOLT, M10X25-8.8-FE/ZN5	F81003-11	16	
32	PIN, LOCKING	512329-1	2	
33	WASHER, 6.4 FLAT ZINC	F81053-1	2	
34	BOLT, M6X16 8.8 HEX HEAD FULL THREAD ZIN	F81001-15	2	
35	BOLT, M8X65 8.8 HEX HEAD FULL THREAD ZINC	F81002-9	8	
36	NUT, M8-8-B HEX ZINC	F81032-1	8	
37	BOLT, M10 X 125-8.8 HEX HEAD ZINC	F81003-18	4	
38	BAR, MOUNTING	100757-1	2	
39	WASHER, 9 DIN440 A2 STAINLESS STEEL	F81054-9	4	
40	WASHER, 8.2 SPLIT LOCK ZINC	F81054-4	4	
41	BOLT, M8X20-8.8 HEX HEAD FULL THREAD ZIN	F81002-1	3	
	SPRING, 340N GAS COMPLETE	089212	2	

REF	DESCRIPTION (◆ indicates parts available in assemblies only)	PART #	QTY	
42	SPRING, 300N GAS	089205	1	
43	BOLT, M8 SPECIAL	089206	2	

11.2 Hold-Down Roller Assembly

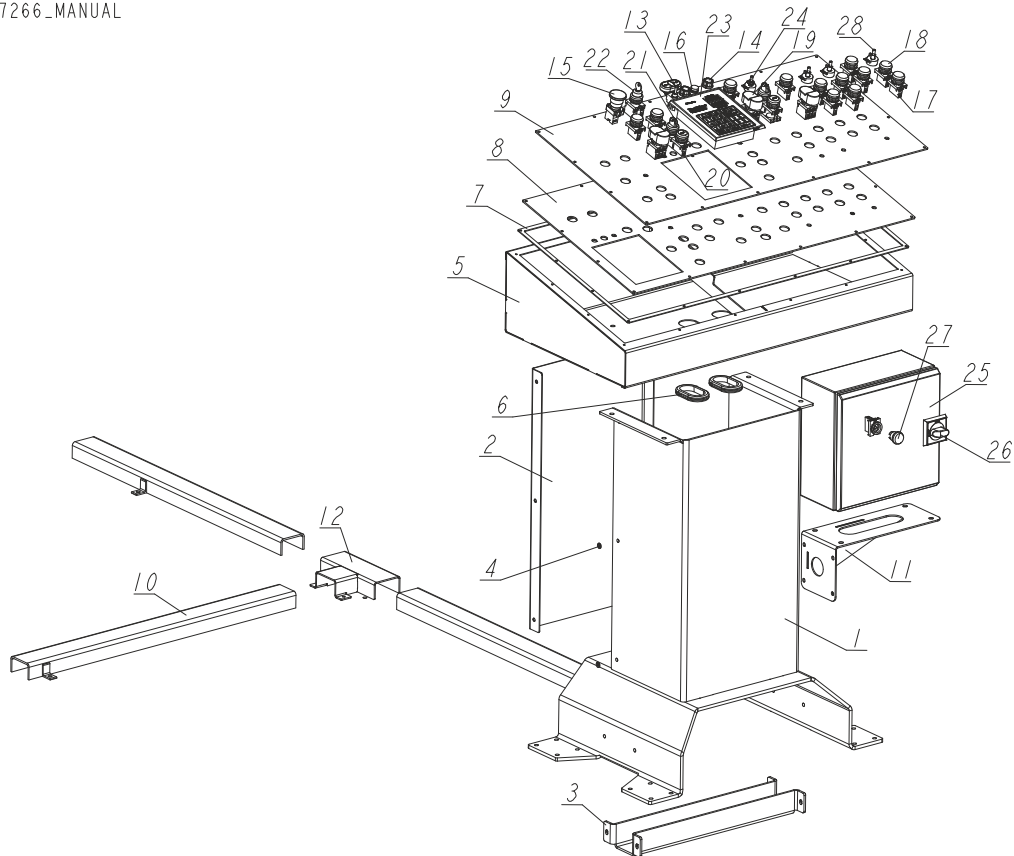


REF	DESCRIPTION (◆ indicates parts available in assemblies only)	PART #	QTY
	ROLLER ASSEMBLY, HOLD-DOWN	507745	1
	ROLLER, HOLD-DOWN LEFT	507730	1
	ROLLER, HOLD-DOWN RIGHT	507740	1
1	BRACKET, MOUNT LEFT	512046-1	1
	BRACKET, MOUNT RIGHT	512045-1	1
2	BUSHING, TVS SC MOUNTING	507738	2
3	PIVOT, GUIDE ROLLER ARM ZINC-PLATED	508182-1	1
4	WASHER, 25 FLAT ZINC	F81061-3	2
5	BOLT, TVS SC ZINC-PLATED MOUNTING	508183-1	2
6	RING, 25Z OUTSIDE RETAINING	F81090-22	2
7	BRACKET, ROLLER HOLD-DOWN COMPLETE	508230-1	1
8	WASHER, 10.5 FLAT ZINC	F81055-1	5
9	BOLT, M10X90-8.8-B-HEX HEAD ZINC	F81003-66	2
10	NUT, M10-8-B HEX NYLON ZINC LOCK	F81033-1	2
11	NUT, M10-8-B-HEX ZINC	F81033-3	1
12	WASHER, 6.4 FLAT ZINC	F81053-1	4
13	WASHER, Z 6.1 SPLIT LOCK ZINC	F81053-3	4
14	BOLT, M6x20-8.8 HEX HEAD FULL THREAD ZIN	F81001-2	4
15	BUMPER	092839	1
	GAS, CYLINDER F1=200N COMPLETE	508920	1

REF	DESCRIPTION (◆ indicates parts available in assemblies only)	PART #	QTY
16	GAS, CYLINDER F1=200N	508919	1
17	BOLT, M8X17 SPECIAL ZINC	500463	2
	ROLLER, TVS SC COMPLETE	510655	1
18	GUIDE ROLLER WELDMENT	510653-1	1
19	BEARING, 61905 2RS CX	099037	2
20	PIVOT, TVS SC GUIDE ROLLER	510656-1	1
21	RING, W042 INSIDE RETAINING	F81090-19	2
22	WASHER, 13 FLAT ZINC	F81056-1	2
23	WASHER, 12.2 SPLIT LOCK	F81056-2	2
24	BOLT, M12X30 8.8 HEX HEAD FULL THREAD ZI	F81004-22	2

11.3 Control Box, SLP2-SHS

507266_001
507266_MANUAL



REF	DESCRIPTION (◆ indicates parts available in assemblies only)	PART #	QTY
	BOX, SLP2-SHS CONTROL	507266	1
1	PEDESTAL WELDMENT, REMOTE CONTROL BOX	508501-1	1
2	PLATE, SLP CONTROL BOX REAR - COMPLETE	508503-1	1
3	BRACE, CONTROL BOX PEDESTAL CROSS PTD	500763-1	1
4	WASHER, 6.4 FLAT ZINC	F81053-1	6
5	BOX WELDMENT, SLP CONTROL	508506-1	1
6	GROMMET, RUBBER	087065	2
7	GASKET, SLP CONTROL BOX	508515	1

11 Hold-Down Rollers Assemblies

Control Box, SLP2-SHS

EC declaration of conformity according to EC Machinery Directive 2006/42/EC, Annex II, 1.A

Manufacturer: Wood-Mizer Industries Sp. z o. o.
Nagórna 114; 62-600 Koło, Poland; Tel. +48 63 26 26 000

That the following described machine in our delivered version complies with the appropriate basic safety and health requirements of the EC Machinery Directive 2006/42/EC based on its design and type, as brought into circulation by us. In case of alteration of the machine, not agreed by us, this declaration is no longer valid.

Designation of the machine: Small Log Processing Line SLP 2
Type: SLP 2
No. of manufacturer: Order Number: ZK00026749, SLP 2 line contains:

- 514733 Identification Number: 001/2015
- LDT-3.6H Identification Number: LDT/001/2014
- CC1 Identification Number: CC1/001/2015
- TVSEH15S-SC3.6L-SD Identification Number: TVS/013/2015
- CC6H Identification Number: CC6/001/2015
- CB5-3.6H Identification Number: CB5/001/2015
- CR7-3.6H Identification Number: CR7/001/2015
- CC4-3.6H Identification Number: CC4/009/2015
- LD1-20LH-2 Identification Number: LD1/003/2015
- HR500EH15S-4 Identification Number: HR500/008/2015
- SHSEH15S Identification Number: (SHS/003/2014)
- 515523 (Fence)

Applicable EC Directives: EC Machinery Directive 2006/42/EC
EC Electromagnetic Compability Directive 2004/108/EC

Applicable Harmonized Standards: PN-EN ISO 12100:2012
PN-EN ISO13849-1:2008
PN-EN 60204-1:2010
PN-EN 13857:2010
PN-EN 953+A1 :2009

Responsible for Technical Documentation: Adam Kubiak / R & D Manager
Wood-Mizer Industries Sp. z o.o.
62-600 Koło, ul. Nagórna 114, Polska
Tel. +48 63 26 26 000

Place / Date / Authorized Signature Koło, **Adam Kubiak**

Title: R & D Manager

EC declaration of conformity according to EC Machinery Directive 2006/42/EC, Annex II, 1.A

Manufacturer:

Wood-Mizer Industries sp. z o.o.
Nagórna 114, 62-600 Koło; Poland
Tel. +48 63 26 26 000

This declaration of conformity is issued under the sole responsibility of the manufacturer.

Following machine in our delivered version complies with the appropriate essential safety and health requirements of the EC Machinery Directive 2006/42/EC based on its design and type, as brought into circulation by us. In case of alteration of the machine, not agreed by us, this declaration is no longer valid.

We, the undersigned herewith declare, that:

Designation of the machine: **Log Deck**
TYPE: LD2-12H-2S-300
No. of manufacturer: LD2/005/2015

**Is in conformity with the following
EC directives:**

EC Machinery Directive 2006/42/EC
EC Electromagnetic Compatibility Directive
2014/30/EU

**And is in conformity with the following
Harmonized Standards:**

PN-EN ISO 12100:2012;
PN-EN ISO 14120:2016-03 ;
PN-EN 349+A1:2010 ;
PN-EN ISO 13849-1:2016-02;
PN-EN 60204-1:2010;
PN-EN ISO 13857:2010;

Responsible for Technical Documentation:

Tomasz Agaciński / Engineering Manager
Wood-Mizer Industries Sp. z o.o.
62-600 Koło, Nagórna 114, Poland
Tel. +48 63 26 26 000

Place/Date/Authorized Signature:

Koło, 21.04.2015



Title :

Engineering Manager

EC declaration of conformity according to EC Machinery Directive 2006/42/EC, Annex II, 1.A

Manufacturer:

Wood-Mizer Industries sp. z o.o.
Nagórna 114, 62-600 Koło; Poland
Tel. +48 63 26 26 000

This declaration of conformity is issued under the sole responsibility of the manufacturer.

Following machine in our delivered version complies with the appropriate essential safety and health requirements of the EC Machinery Directive 2006/42/EC based on its design and type, as brought into circulation by us. In case of alteration of the machine, not agreed by us, this declaration is no longer valid.

We, the undersigned herewith declare, that:

Designation of the machine: **Log Deck**
TYPE: LD4H
No. of manufacturer:

**Is in conformity with the following
EC directives:**

EC Machinery Directive 2006/42/EC
EC Electromagnetic Compatibility Directive
2014/30/EU

**And is in conformity with the following
Harmonized Standards:**

PN-EN ISO 12100:2012
PN-EN ISO 13849-1:2016-02
PN-EN 60204-1:2010
PN-EN ISO 13857:2010
PN-EN ISO 14120:2016-03

Responsible for Technical Documentation:

Tomasz Agaciński / Engineering Manager
Wood-Mizer Industries Sp. z o.o.
62-600 Koło, Nagórna 114, Poland
Tel. +48 63 26 26 000

Place/Date/Authorized Signature:

Koło, 03.03.2015



Title :

Engineering Manager

EC declaration of conformity according to EC Machinery Directive 2006/42/EC, Annex II, 1.A

Manufacturer:

Wood-Mizer Industries sp. z o.o.
Nagórna 114, 62-600 Koło; Poland
Tel. +48 63 26 26 000

This declaration of conformity is issued under the sole responsibility of the manufacturer.

Following machine in our delivered version complies with the appropriate essential safety and health requirements of the EC Machinery Directive 2006/42/EC based on its design and type, as brought into circulation by us. In case of alteration of the machine, not agreed by us, this declaration is no longer valid.

We, the undersigned herewith declare, that:

Designation of the machine: **Log Deck**
TYPE: LD1
No. of manufacturer:

**Is in conformity with the following
EC directives:**

EC Machinery Directive 2006/42/EC
EC Electromagnetic Compatibility Directive
2014/30/EU

**And is in conformity with the following
Harmonized Standards:**

PN-EN ISO 12100:2012
PN-EN ISO 13849-1:2016-02
PN-EN 60204-1:2010
PN-EN ISO 13857:2010
PN-EN ISO 14120:2016-03

Responsible for Technical Documentation:

Tomasz Agaciński / Engineering Manager
Wood-Mizer Industries Sp. z o.o.
62-600 Koło, Nagórna 114, Poland
Tel. +48 63 26 26 000

Place/Date/Authorized Signature:

Koło, 03.03.2015



Title :

Engineering Manager

EC declaration of conformity according to EC Machinery Directive 2006/42/EC, Annex II, 1.A

Manufacturer:

Wood-Mizer Industries sp. z o.o.
Nagórna 114, 62-600 Koło; Poland
Tel. +48 63 26 26 000

This declaration of conformity is issued under the sole responsibility of the manufacturer.

Following machine in our delivered version complies with the appropriate essential safety and health requirements of the EC Machinery Directive 2006/42/EC based on its design and type, as brought into circulation by us. In case of alteration of the machine, not agreed by us, this declaration is no longer valid.

We, the undersigned herewith declare, that:

Designation of the machine:

Conveyor Rollers

TYPE:

CR6

No. of manufacturer:

.....

**Is in conformity with the following
EC directives:**

EC Machinery Directive 2006/42/EC
EC Electromagnetic Compatibility Directive
2014/30/EU

**And is in conformity with the following
Harmonized Standards:**

PN-EN ISO 12100:2012
PN-EN ISO 13849-1:2016-02
PN-EN 60204-1:2010
PN-EN ISO 13857:2010
PN-EN ISO 14120:2016-03

Responsible for Technical Documentation:

Tomasz Agaciński / Engineering Manager
Wood-Mizer Industries Sp. z o.o.
62-600 Koło, ul. Nagórna 114, Poland
Tel. +48 63 26 26 000

Place/Date/Authorized Signature:

Koło, 03.03.2015



Title :

Engineering Manager

EC declaration of conformity according to EC Machinery Directive 2006/42/EC, Annex II, 1.A

Manufacturer:

Wood-Mizer Industries sp. z o.o.
Nagórna 114, 62-600 Koło; Poland
Tel. +48 63 26 26 000

This declaration of conformity is issued under the sole responsibility of the manufacturer.

Following machine in our delivered version complies with the appropriate essential safety and health requirements of the EC Machinery Directive 2006/42/EC based on its design and type, as brought into circulation by us. In case of alteration of the machine, not agreed by us, this declaration is no longer valid.

We, the undersigned herewith declare, that:

Designation of the machine: **Conveyor Chains**
TYPE: CC4
No. of manufacturer:

**Is in conformity with the following
EC directives:**

EC Machinery Directive 2006/42/EC
EC Electromagnetic Compatibility Directive
2014/30/EU

**And is in conformity with the following
Harmonized Standards:**

PN-EN ISO 12100:2012
PN-EN ISO 13849-1:2016-02
PN-EN 60204-1:2010
PN-EN ISO 13857:2010
PN-EN ISO 14120:2016-03

Responsible for Technical Documentation: Tomasz Agaciński / Engineering Manager
Wood-Mizer Industries Sp. z o.o.
62-600 Koło, ul. Nagórna 114, Poland
Tel. +48 63 26 26 000

Place/Date/Authorized Signature: Koło, 03.03.2015 

Title : Engineering Manager

EC declaration of conformity according to EC Machinery Directive 2006/42/EC, Annex II, 1.A

Manufacturer:

Wood-Mizer Industries sp. z o.o.
Nagórna 114, 62-600 Koło; Poland
Tel. +48 63 26 26 000

This declaration of conformity is issued under the sole responsibility of the manufacturer.

Following machine in our delivered version complies with the appropriate essential safety and health requirements of the EC Machinery Directive 2006/42/EC based on its design and type, as brought into circulation by us. In case of alteration of the machine, not agreed by us, this declaration is no longer valid.

We, the undersigned herewith declare, that:

Designation of the machine:

Conveyor Chains

TYPE:

CC2

No. of manufacturer:

.....

**Is in conformity with the following
EC directives:**

EC Machinery Directive 2006/42/EC
EC Electromagnetic Compatibility Directive
2014/30/EU

**And is in conformity with the following
Harmonized Standards:**

PN-EN ISO 12100:2012
PN-EN ISO 13849-1:2016-02
PN-EN 60204-1:2010
PN-EN ISO 13857:2010
PN-EN ISO 14120:2016-03

Responsible for Technical Documentation:

Tomasz Agaciński / Engineering Manager
Wood-Mizer Industries Sp. z o.o.
62-600 Koło, ul. Nagórna 114, Poland
Tel. +48 63 26 26 000

Place/Date/Authorized Signature:

Koło, 03.03.2015



Title :

Engineering Manager

EC declaration of conformity according to EC Machinery Directive 2006/42/EC, Annex II, 1.A

Manufacturer:

Wood-Mizer Industries sp. z o.o.
Nagórna 114, 62-600 Koło; Poland
Tel. +48 63 26 26 000

This declaration of conformity is issued under the sole responsibility of the manufacturer.

Following machine in our delivered version complies with the appropriate essential safety and health requirements of the EC Machinery Directive 2006/42/EC based on its design and type, as brought into circulation by us. In case of alteration of the machine, not agreed by us, this declaration is no longer valid.

We, the undersigned herewith declare, that:

Designation of the machine: **Belt Conveyor**
TYPE: CB3
No. of manufacturer: CB3/001/2015

**Is in conformity with the following
EC directives:**

EC Machinery Directive 2006/42/EC
EC Electromagnetic Compatibility Directive
2014/30/EU

**And is in conformity with the following
Harmonized Standards:**

PN-EN ISO 12100:2012;
PN-EN ISO 14120:2016-03 ;
PN-EN 349+A1:2010 ;
PN-EN ISO 13849-1:2016-02;
PN-EN 60204-1:2010;
PN-EN ISO 13857:2010;

Responsible for Technical Documentation: Piotr Adamiec / Engineering Manager
Wood-Mizer Industries Sp. z o.o.
62-600 Koło, ul. Nagórna 114, Poland
Tel. +48 63 26 26 000

Place/Date/Authorized Signature:

Koło, 21.04.2015



Title :

Engineering Manager

EC declaration of conformity according to EC Machinery Directive 2006/42/EC, Annex II, 1.A

Manufacturer:

Wood-Mizer Industries sp. z o.o.
Nagórna 114, 62-600 Koło; Poland
Tel. +48 63 26 26 000

This declaration of conformity is issued under the sole responsibility of the manufacturer.

Following machine in our delivered version complies with the appropriate essential safety and health requirements of the EC Machinery Directive 2006/42/EC based on its design and type, as brought into circulation by us. In case of alteration of the machine, not agreed by us, this declaration is no longer valid.

We, the undersigned herewith declare, that:

Designation of the machine: **Cross Roller Table**
TYPE: SLPCRT
No. of manufacturer:

**Is in conformity with the following
EC directives:** EC Machinery Directive 2006/42/EC

**And is in conformity with the following
Harmonized Standards:** PN-EN ISO 12100:2012
PN-EN ISO 13857:2020-03
PN-EN 14120:2016-03

Responsible for Technical Documentation: Piotr Adamiec /Engineering Manager
Wood-Mizer Industries Sp. z o.o.
62-600 Koło, Nagórna 114, Polska
Tel. +48 63 26 26 000

Place/Date/Authorized Signature: Koło, 03.03.2015 
Title : Engineering Manager

EC declaration of conformity according to EC Machinery Directive 2006/42/EC, Annex II, 1.A

Manufacturer:

Wood-Mizer Industries sp. z o.o.
Nagórna 114, 62-600 Koło; Poland
Tel. +48 63 26 26 000

This declaration of conformity is issued under the sole responsibility of the manufacturer.

Following machine in our delivered version complies with the appropriate essential safety and health requirements of the EC Machinery Directive 2006/42/EC based on its design and type, as brought into circulation by us. In case of alteration of the machine, not agreed by us, this declaration is no longer valid.

We, the undersigned herewith declare, that:

Designation of the machine: **Idle Roller Table**
TYPE: SLPIRT
No. of manufacturer:

**Is in conformity with the following
EC directives:** EC Machinery Directive 2006/42/EC

**And is in conformity with the following
Harmonized Standards:** PN-EN ISO 12100:2012
PN-EN ISO 13857:2020-03
PN-EN 14120:2016-03

Responsible for Technical Documentation: Piotr Adamiec /Engineering Manager
Wood-Mizer Industries Sp. z o.o.
62-600 Koło, Nagórna 114, Polska
Tel. +48 63 26 26 000

Place/Date/Authorized Signature: Koło, 03.03.2015 
Title : Engineering Manager