

# **Wood-Mizer®**

## **Replacement Parts**

---

**E100E7S, E100E10S, E100G14S**  
**rev. B1.01**

---



**Safety is our #1 concern!** Read and understand all safety information and instructions before operating, setting up or maintaining this machine.

*Form #101*

<b>SECTION 1</b>	<b>GENERAL INFORMATION</b>	<b>2-1</b>
1.1	How To Use The Parts List .....	2-1
1.2	Sample Assembly .....	2-1
<b>SECTION 2</b>	<b>TABLES</b>	<b>3-1</b>
2.1	Infeed Table .....	3-1
2.2	Drive Roller .....	3-3
2.3	Outfeed Table .....	3-4
2.4	Table Support .....	3-6
2.5	Additional Table (Option) .....	3-7
2.6	Additional Table (US-Option) .....	3-8
2.7	Infeed Table Hold-Down Wheel .....	3-9
2.8	Outfeed Table Hold-Down Wheel .....	3-10
<b>SECTION 3</b>	<b>E100-R TABLES</b>	<b>4-1</b>
3.1	Infeed Roller Table .....	4-1
3.2	Table Leg .....	4-2
3.3	Outfeed Roller Table .....	4-3
3.4	Table Drive Guard (E100-R) .....	4-4
3.5	Adapter Assembly for Roller Tables .....	4-5
3.6	Scale .....	4-6
<b>SECTION 4</b>	<b>ENGINE/MOTOR KITS</b>	<b>5-1</b>
4.1	Motor Kit, E100 E100 E7S, E7, E10S, E10 .....	5-1
4.2	EG100G14S, EG100G14, G14U Engine Kits .....	5-3
<b>SECTION 5</b>	<b>MAIN MODULE</b>	<b>6-1</b>
5.1	Cutting Width Setting System .....	6-1
5.2	Movable Blade w/Mount Plate .....	6-3
5.3	Blade Position Lock Assembly .....	6-4
5.4	Blade Drive Belt Tensioner .....	6-5
5.5	Movable Blade Assembly .....	6-6
5.6	Table Drive Cover Assembly .....	6-7
5.7	Table Drive Assembly .....	6-8
5.8	Chain Guide Sprocket .....	6-10
5.9	Chain Tensioner .....	6-11
5.10	Upper Blade Cover .....	6-12
5.11	Upper Blade Cover (Non -R and -CE Version) .....	6-14
5.12	Main Shaft & Fixed Blade (EG100 Edgers w/Adjustable Feed) .....	6-15

## Table of Contents

## Section-Page

5.13	Fixed Blade & Main Shaft .....	6-16	
5.14	Main Module Base .....	6-17	
5.15	Sawdust Hopper (Option) .....	6-19	
5.16	Table Transport Lock Bracket (Roller Tables) .....	6-20	
5.17	Main Module .....	6-21	
<b>SECTION 6      DECALS</b>			<b>7-1</b>
6.1	Decals (E100 Edgers w/Electric Motor) .....	7-2	
6.2	Decals (E100 Edgers w/gas Engine) .....	7-4	

## SECTION 1 GENERAL INFORMATION

### 1.1 How To Use The Parts List

- Use the index above to locate the assembly that contains the part you need.
- Go to the appropriate section and locate the part in the illustration.
- Use the number pointing to the part to locate the correct part number and description in the table.
- Parts shown indented under another part are included with that part.

See the sample table below. Sample Part #A01111 includes part F02222-2 and subassembly A03333. Subassembly A03333 includes part S04444-4 and subassembly K05555. The diamond (◆) indicates that S04444-4 is not available except in subassembly A03333. Subassembly K05555 includes parts M06666 and F07777-77. The diamond (◆) indicates M06666 is not available except in subassembly K05555.

1.2 Sample Assembly				
REF	DESCRIPTION (◆ Indicates Parts Available In Assemblies Only)	PART #	QTY.	
	Sample Assembly, Complete (Includes All Indented Parts Below)	A01111	1	
1	Sample Part	F02222-22	1	
	Sample Subassembly (Includes All Indented Parts Below)	A03333	1	
2	Sample Part (◆ Indicates Part Is Only Available With A03333)	S04444-4	1	◆
	Sample Subassembly (Includes All Indented Parts Below)	K05555	1	
3	Sample Part (◆ Indicates Part Is Only Available With K05555)	M06666	2	◆
4	Sample Part	F07777-77	1	

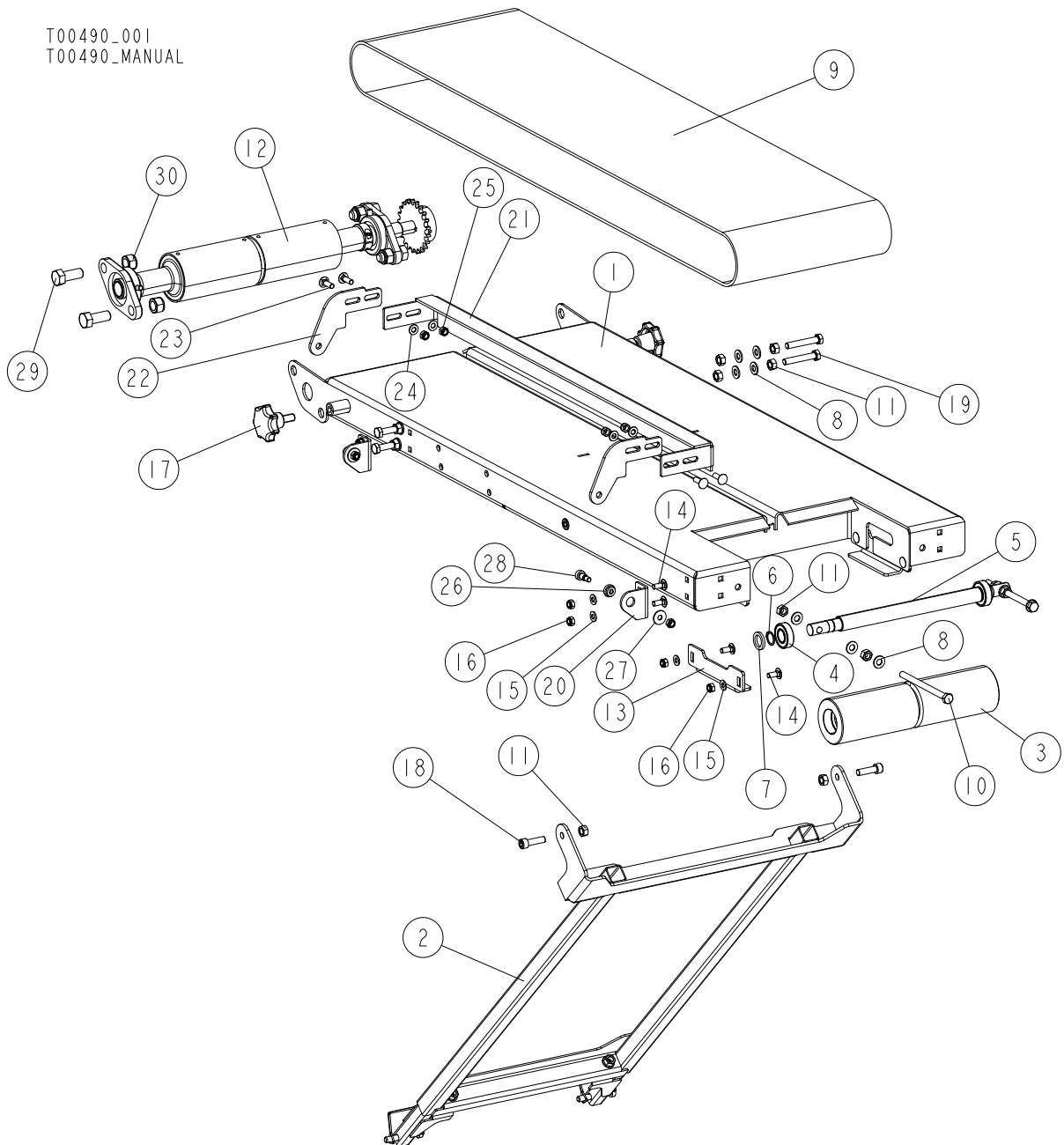


**CAUTION!** It is strongly recommended that only original spare parts be used.

## SECTION 2 TABLES

### 2.1 Infeed Table

T00490\_001  
T00490\_MANUAL

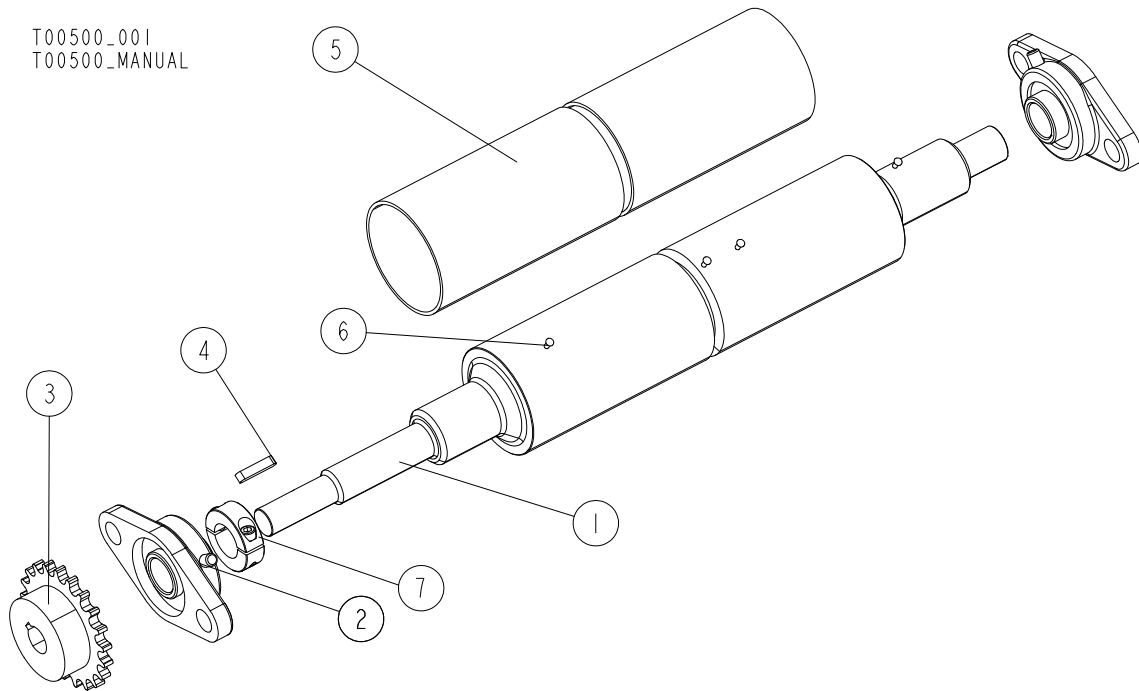


REF.	DESCRIPTION (* Indicates Parts Available in Assemblies Only)	PART#	QTY
-	<b>TABLE, INFEED - COMPLETE</b>	<b>T00490</b>	<b>1</b>
1	TABLETOP, INFEED TABLE	T00481-1	1
2	SUPPORT, TABLE - COMPLETE <a href="#">See Section 2.4</a>	T00446	1
-	<b>ROLLER, TENSION - COMPLETE</b>	<b>T00497</b>	<b>1</b>
3	ROLLER, TENSION	T00496	1
4	BEARING, 6004 2RS CX ROLLING	093868	2
5	SHAFT, TENSION ROLLER	T00495-1	1
6	RING, Z 20 OUTSIDE RETAINING	F81090-27	2
7	WASHER, 20.5X30-4 ZINC-PLATED	515021-1	2

REF.	DESCRIPTION (* Indicates Parts Available in Assemblies Only)	PART#	QTY	
8	WASHER, 10.5 FLAT ZINC	F81055-1	14	
9	BELT, TABLE	T00494	1	
10	BOLT, M10x140-8.8 HEX HEAD FULL THREAD ZINC	F81003-39	2	
11	NUT, M10 8 HEX ZINC	F81033-3	14	
12	ROLLER, DRIVE - COMPLETE <a href="#">See Section 2.2</a>	T00500	1	
13	ANGLE, SAFETY	T00501-1	2	
14	BOLT, M8x20-8.8 CARRIAGE ZINC	F81002-11	8	
15	WASHER, 8.4 FLAT ZINC	F81054-1	8	
16	NUT, M8-8-B HEX NYLON ZINC LOCK	F81032-2	10	
17	KNOB, SR1580 63x25M12 (462066 Moss)	500460	2	
18	SCREW, M10x35-8.8 HEX SOCKET HEAD CAP ZINC	F81003-56	2	
19	BOLT, M10X60-8.8 HEX HEAD ZINC	F81003-10	4	
20	BRACKET, BOARD GUIDE	T00508-1	2	
-	<b>GUIDE, BOARD</b>	<b>T00330</b>	<b>1</b>	
21	ANGLE, BOARD GUIDE	T00331-1	1	
22	ARM, BOARD GUIDE	T00332-1	2	
23	BOLT, M8x25-8.8 CARRIAGE ZINC	F81002-59	4	
24	WASHER, 8.4 FLAT ZINC	F81054-1	4	
25	NUT, M8-8-B HEX NYLON ZINC LOCK	F81032-2	4	
26	BUSHING, SHORT BOARD GUIDE	T00137-1	2	
27	WASHER, ISO 7093-1-8-200 HV-A2E	F81054-11	2	
28	BOLT, 10/M8X12-12.9 BOSSARD SHOULDER	F81003-62	2	
29	BOLT, M16X40-8.8 HEX HEAD FULL THREAD ZINC	F81006-13	4	
30	NUT, M16-8 HEX NYLON ZINC LOCK	F81036-2	4	

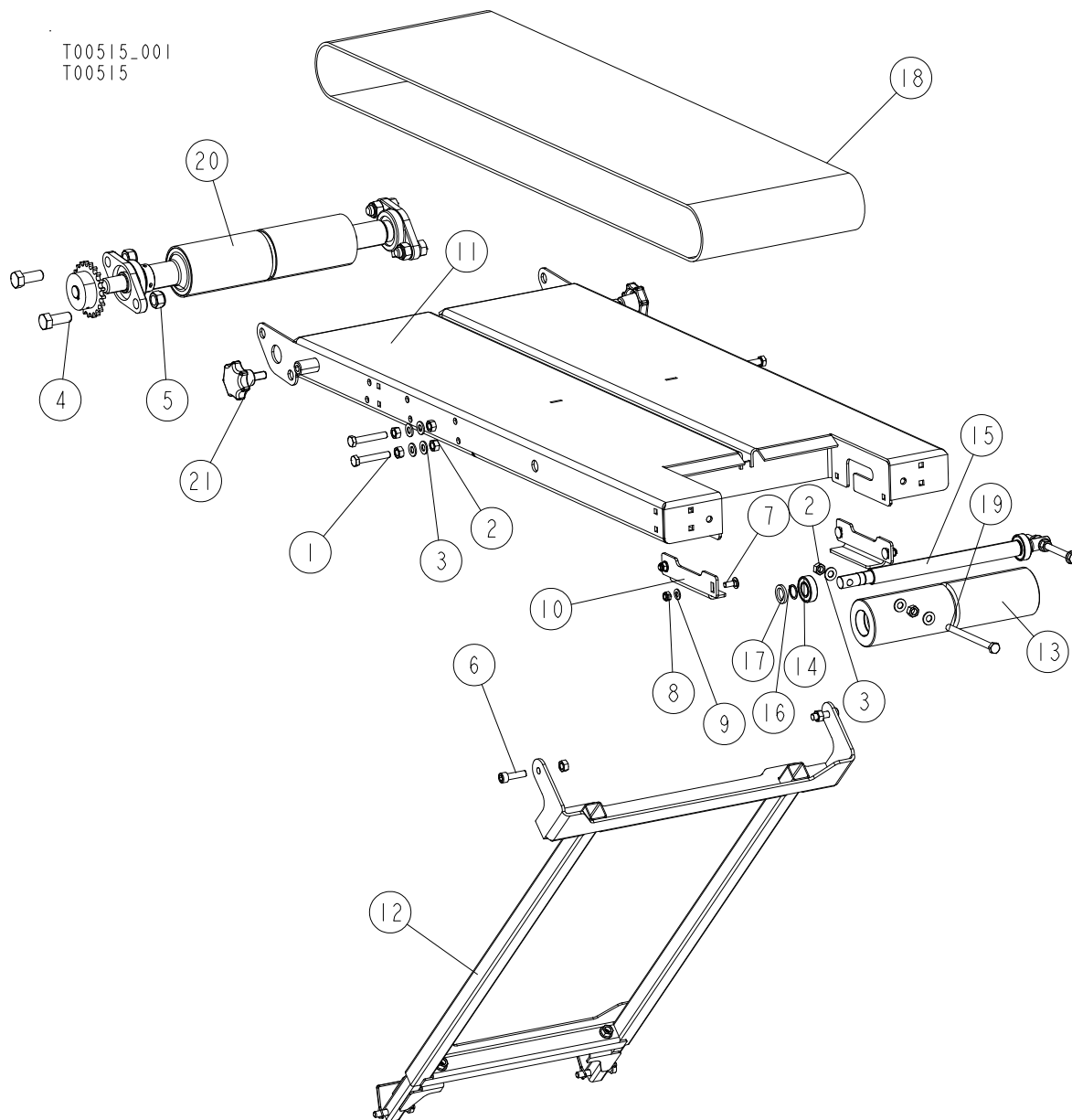
## 2.2 Drive Roller

T00500\_001  
T00500\_MANUAL



REF.	DESCRIPTION (* Indicates Parts Available in Assemblies Only)	PART#	QTY
-	<b>ROLLER, DRIVE - COMPLETE</b>	<b>T00500</b>	<b>1</b>
1	ROLLER, TABLE DRIVE	T00493-1	1
2	BEARING, UCFL205 W/HOUSING (COMPLEX)	089124	2
3	SPROCKET, 08B-1 Z21	T00160	1
4	KEY, A6x6x30	094245	1
5	LAGGING, 50MM PULLEY	R00100	1
6	RIVET, 3.2x7.4 ALUMINIUM	F81021-1	4
7	COLLAR, CLAMP-ON	T00683	1

**2.3 Outfeed Table**



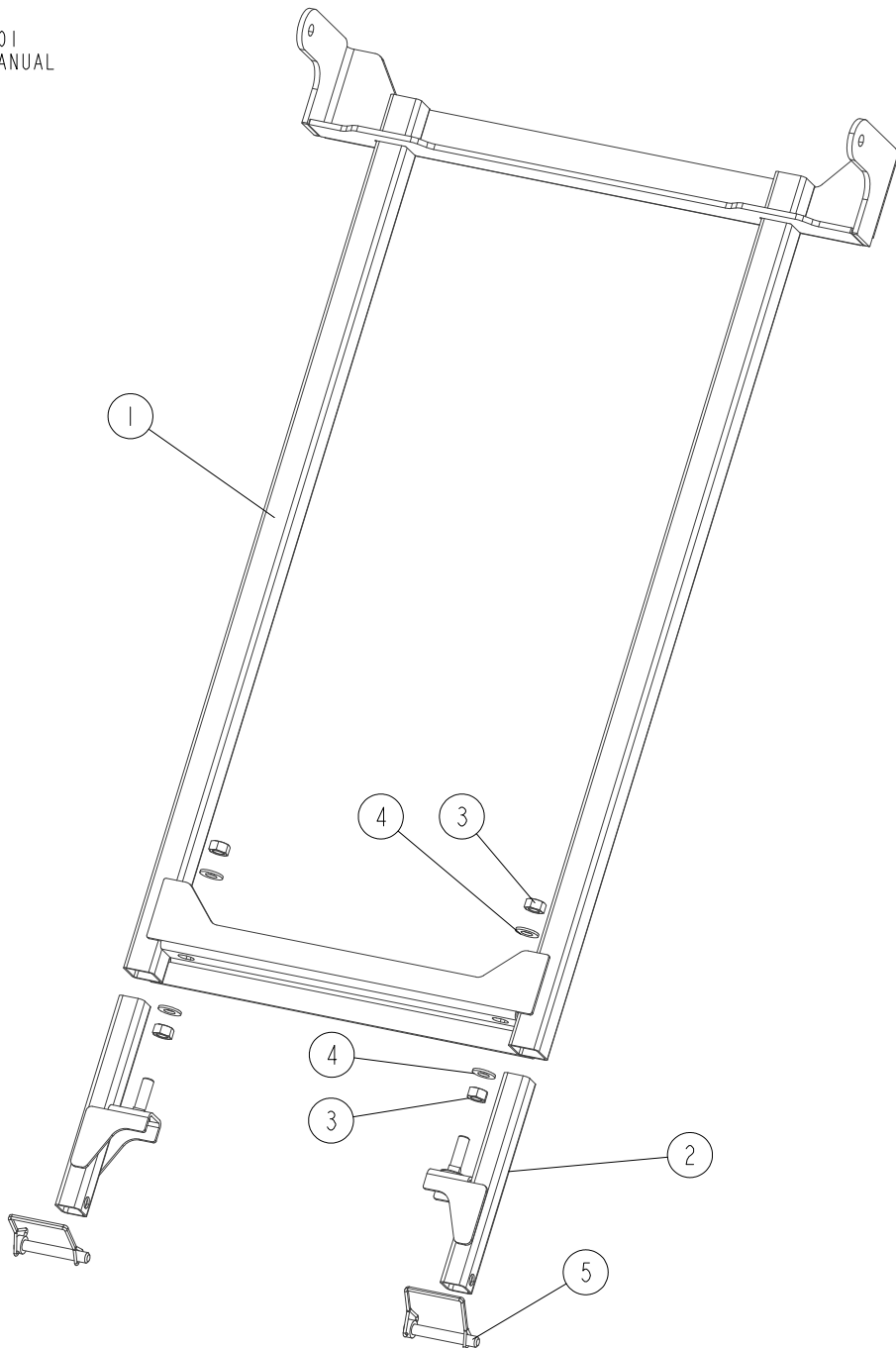
REF.	DESCRIPTION (* Indicates Parts Available in Assemblies Only)	PART#	QTY
-	<b>TABLE, OUTFEED - COMPLETE</b>	<b>T00515</b>	<b>1</b>
1	BOLT, M10X60-8.8 HEX HEAD ZINC	F81003-10	4
2	NUT, M10 8 HEX ZINC	F81033-3	14
3	WASHER, 10.5 FLAT ZINC	F81055-1	14
4	BOLT, M16x40-8.8 HEX HEAD FULL THREAD ZINC	F81006-13	4
5	NUT, M16-8 HEX NYLON ZINC LOCK	F81036-2	4
6	SCREW, M10x35-8.8 HEX SOCKET HEAD CAP ZINC	F81003-56	2
7	BOLT, M8x20-8.8 CARRIAGE ZINC	F81002-11	4
8	NUT, M8-8-B HEX NYLON ZINC LOCK	F81032-2	4
9	WASHER, 8.4 FLAT ZINC	F81054-1	4
10	ANGLE, SAFETY	T00501-1	2
11	TABLETOP	T00481-1	1
12	SUPPORT, TABLE - COMPLETE <a href="#">See Section 2.4</a>	T00446	1



REF.	DESCRIPTION (* Indicates Parts Available in Assemblies Only)	PART#	QTY	
-	<b>ROLLER, TENSION - COMPLETE</b>	<b>T00497</b>	<b>1</b>	
13	ROLLER, TENSION	T00496	1	
14	BEARING, 6004 2RS CX ROLLING	093868	2	
15	SHAFT, TENSION ROLLER	T00495-1	1	
16	RING, Z 20 OUTSIDE RETAINING	F81090-27	2	
17	WASHER, 20.5X30-4 ZINC-PLATED	515021-1	2	
18	BELT, TABLE	T00494	1	
19	BOLT, M10x140-8.8 HEX HEAD FULL THREAD ZINC	F81003-39	2	
20	ROLLER, DRIVE - COMPLETE <a href="#">See Section 2.2</a>	T00500	1	
21	KNOB, SR1580 63x25M12 (462066 Moss)	500460	2	

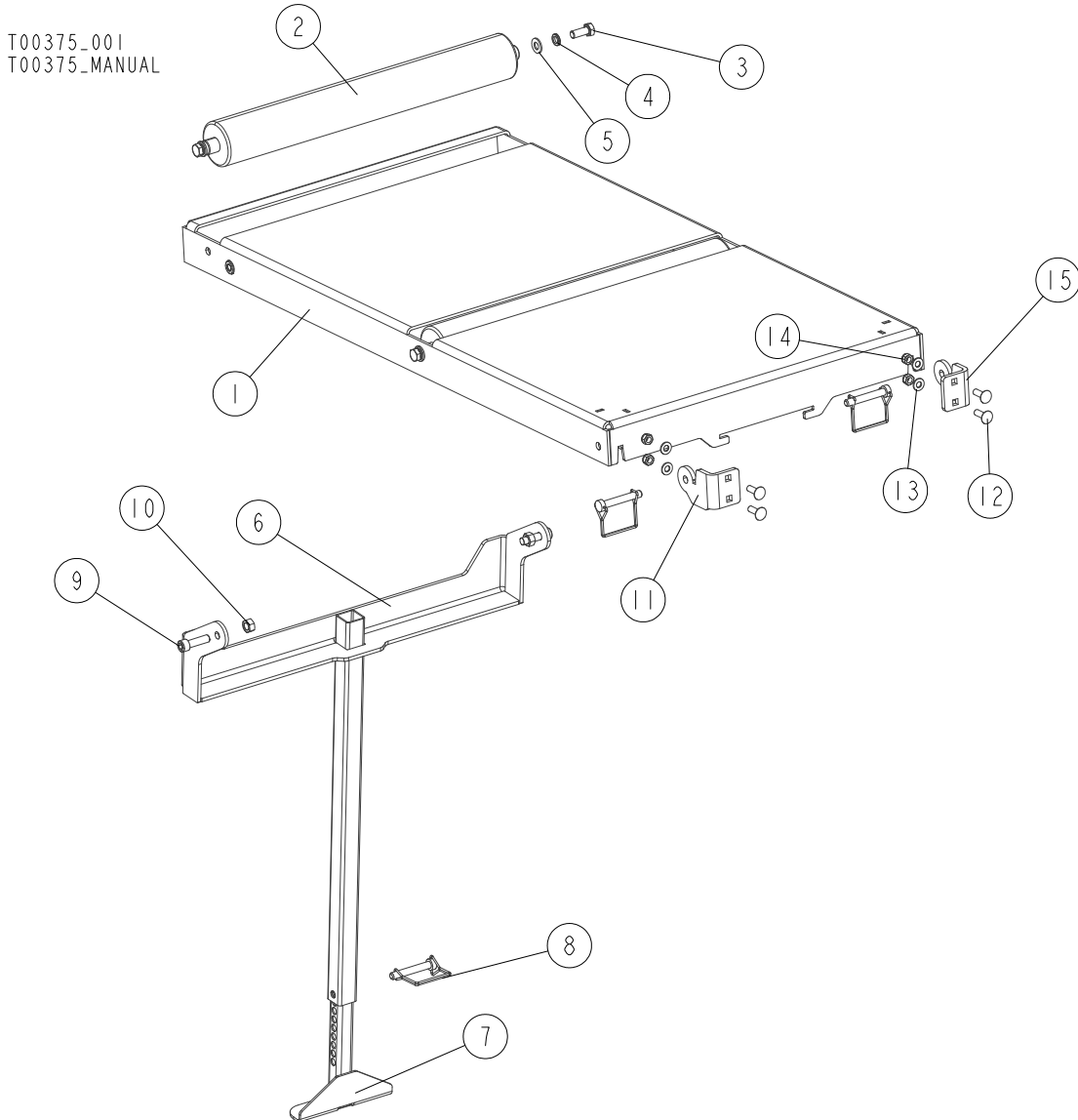
**2.4 Table Support**

T00446\_001  
T00446\_MANUAL



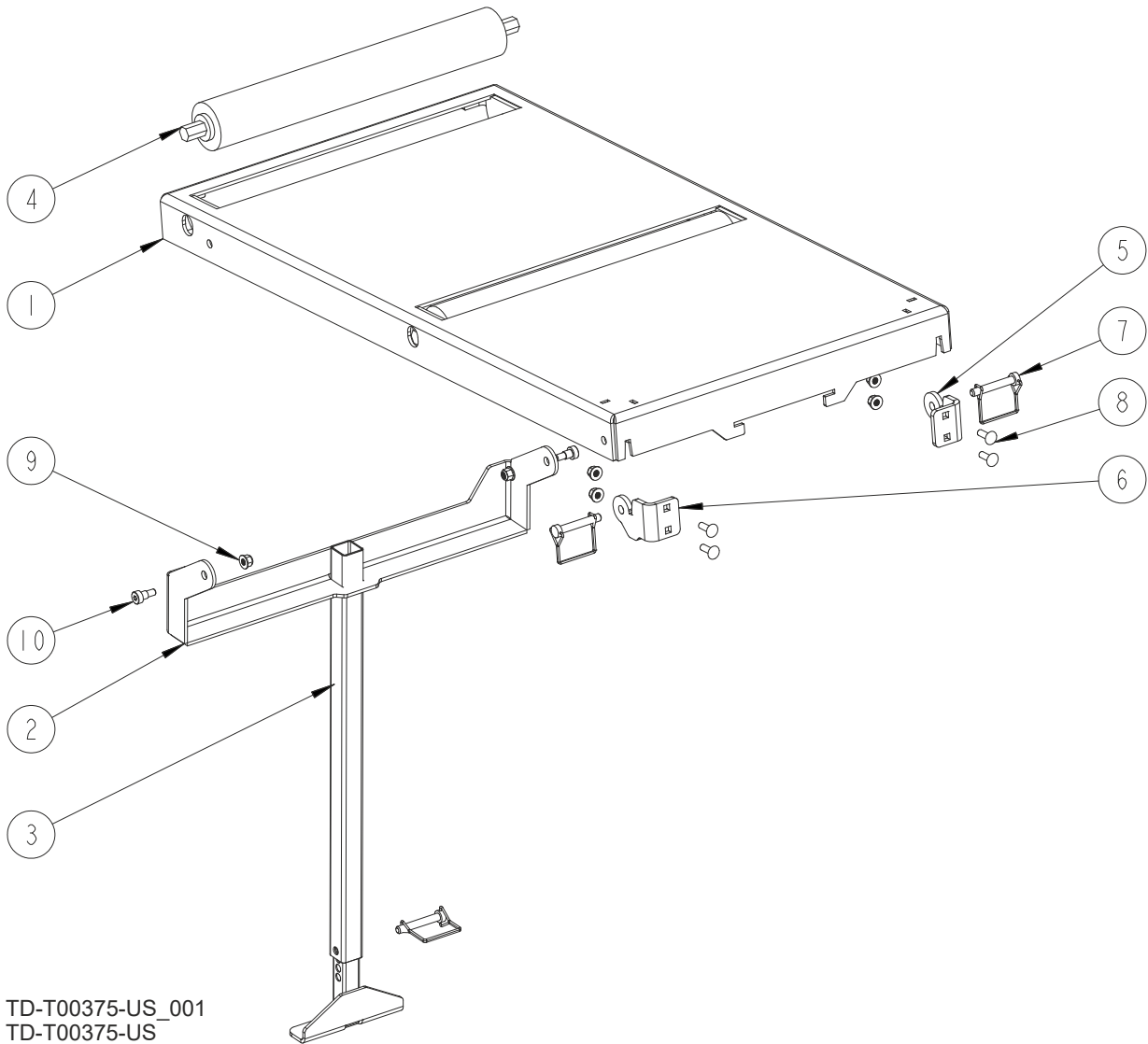
REF.	DESCRIPTION (* Indicates Parts Available in Assemblies Only)	PART#	QTY
-	<b>SUPPORT, TABLE - COMPLETE</b>	<b>T00446</b>	<b>1</b>
1	FRAME, TABLE SUPPORT	T00447-1	1
2	TUBE, SUPPORT BASE	T00452-1	2
3	NUT, M10 8 HEX ZINC	F81033-3	4
4	WASHER, 10.5 FLAT ZINC	F81055-1	4
5	PIN, 3/8X2 1/4 SQ WIRE LOCK	014151	2

## 2.5 Additional Table (Option)



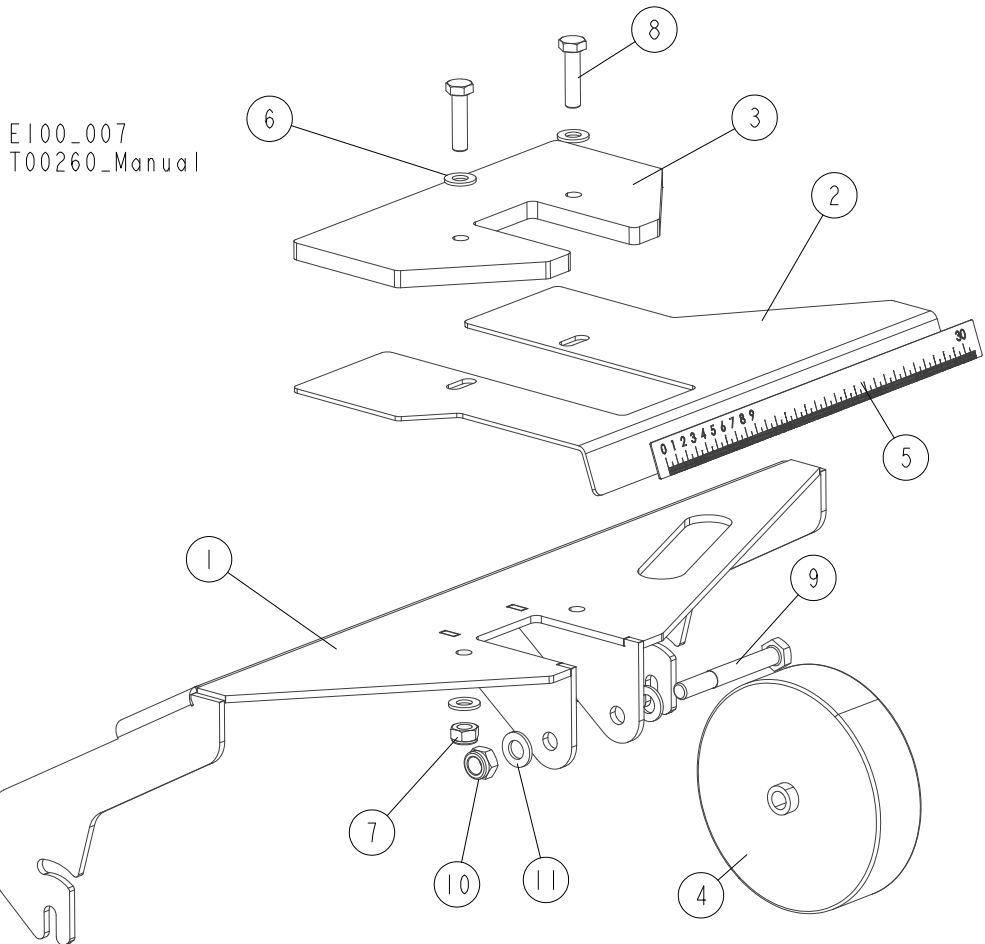
REF.	DESCRIPTION (* Indicates Parts Available in Assemblies Only)	PART#	QTY
-	<b>TABLE, ADDITIONAL</b>	<b>T00375</b>	<b>1</b>
1	TABLETOP, ADDITIONAL TABLE - COMPLETE	T00513-1	1
2	ROLLER, 63.5x480	T00136-1	2
3	BOLT, M10X25 8.8 HEX HEAD FULL THREAD ZINC	F81003-11	4
4	WASHER, Z 10.2 SPLIT LOCK ZINC	F81055-2	4
5	WASHER, 10.5 FLAT ZINC	F81055-1	4
6	BRACKET, TABLE SUPPORT UPPER	T00339-1	1
7	TUBE WELDMENT, TABLE SUPPORT LOWER	T00342-1	1
8	PIN, 3/8X2 1/4 SQ WIRE LOCK	014151	3
9	SCREW, M10x35-8.8 HEX SOCKET HEAD CAP ZINC	F81003-56	2
10	NUT, M10 8 HEX ZINC	F81033-3	2
11	BRACKET, TABLE - RIGHT	T00517-1	1
12	BOLT, M8X25-8.8 CARRIAGE ZINC	F81002-59	4
13	WASHER, 8.4 FLAT ZINC	F81054-1	4
14	NUT, M8-8-B HEX NYLON ZINC LOCK	F81032-2	4
15	BRACKET, TABLE - LEFT	T00503-1	1

**2.6 Additional Table (US-Option)**



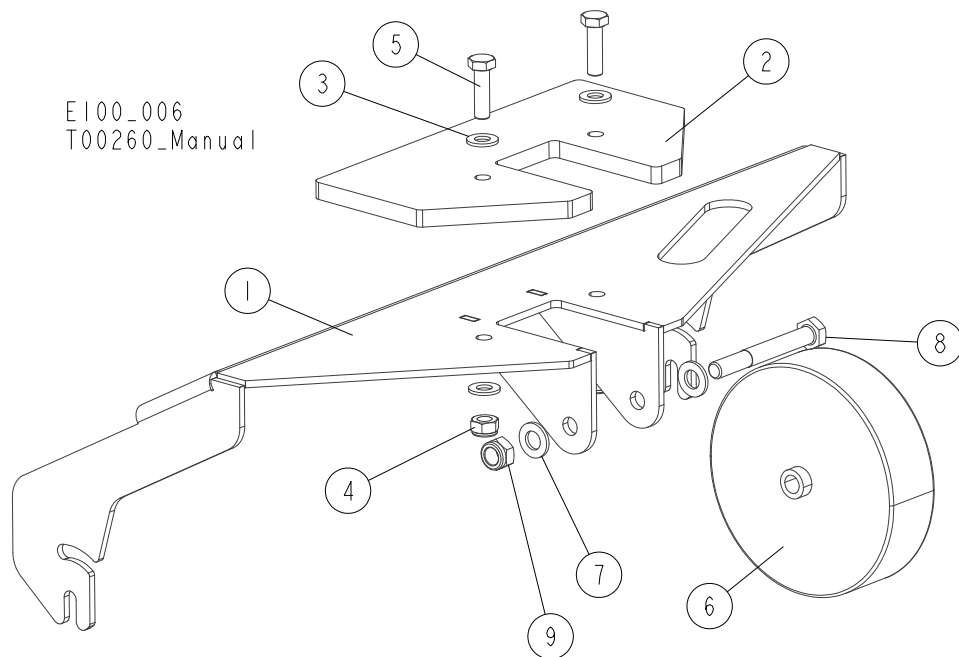
REF.	DESCRIPTION (* Indicates Parts Available in Assemblies Only)	PART#	QTY
-	<b>Assy, In/Out Feed</b>	<b>T00375-US</b>	<b>1</b>
1	Wldmt, Table Top	T00513-1	1
2	Wldmt, Table Leg	T00339-1-U	1
3	Wldmt, Adj. Table Leg	T00342-1-US	1
4	Roller, 2 1/2x18 BF	038168	2
5	Plate, Table Left Bracket	T00503-US	1
6	Plate, Table Right Bracket	T00517-US	1
7	Pin, 3/8x2 1/4 SQ Wire Lock	014151	3
8	BOLT, M8-1.25X25 CARRIAGE CLASS 8.8	F05021-17	4
9	Nut, M8 x 1.25 mm Nylock Flange	F05027-44	6
10	Bolt, M10x10 SH Shoulder Plain	F05022-9	2

2.7 Infeed Table Hold-Down Wheel



REF.	DESCRIPTION (* Indicates Parts Available in Assemblies Only)	PART#	QTY
	<b>WHEEL ASSEMBLY, HOLD-DOWN</b>	<b>T00319</b>	<b>1</b>
1	BRACKET, HOLD-DOWN WHEEL MOUNT	T00333-1	1
2	BRACKET, INFEED TABLE SCALE	T00336-1	1
3	PLATE, TOP	T00337-1	1
4	WHEEL-HOLD-DOWN	T00161	1
5	SCALE, INFEED TABLE	T00320	1
	SCALE, INFEED TABLE, INCH	T00398	1
6	WASHER, 10.5 FLAT ZINC	F81055-1	4
7	NUT, M10-8-B HEX NYLON ZINC LOCK	F81033-1	2
8	BOLT, M10X40-8.8 HEX HEAD FULL THREAD ZINC	F81003-16	2
9	BOLT, M12X95 8.8 HEX HEAD ZINC	F81004-29	1
10	NUT, M12 8 HEX NYLON ZINC LOCK	F81034-2	1
11	WASHER, 13 FLAT ZINC	F81056-1	2

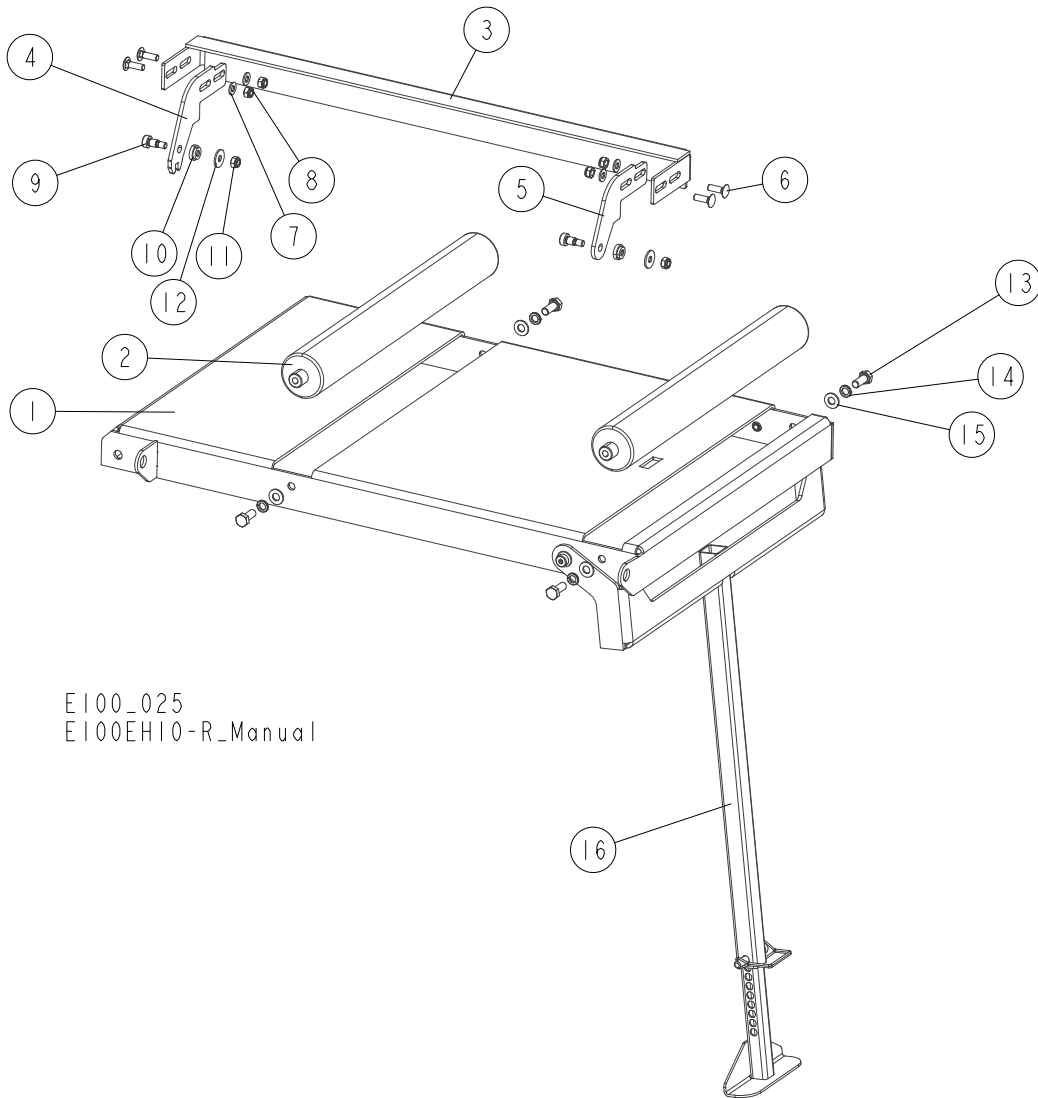
**2.8 Outfeed Table Hold-Down Wheel**



REF.	DESCRIPTION (* Indicates Parts Available in Assemblies Only)	PART#	QTY
	<b>WHEEL ASSEMBLY, HOLD-DOWN</b>	<b>T00345</b>	<b>1</b>
1	BRACKET, HOLD-DOWN WHEEL MOUNT	T00333-1	1
2	PLATE, TOP	T00337-1	1
3	WASHER, 10.5 FLAT ZINC	F81055-1	4
4	NUT, M10-8-B HEX NYLON ZINC LOCK	F81033-1	2
5	BOLT, M10X35 8.8 HEX HEAD FULL THREAD ZINC	F81003-17	2
6	WHEEL, HOLD-DOWN	T00161	1
7	WASHER, 13 FLAT ZINC	F81056-1	2
8	BOLT, M12X95 8.8 HEX HEAD ZINC	F81004-29	1
9	NUT, M12 8 HEX NYLON ZINC LOCK	F81034-2	1

## SECTION 3 E100-R TABLES

### 3.1 Infeed Roller Table



E100\_025  
 E100EH10-R\_Manual

REF.	DESCRIPTION (◆ indicates parts available in assemblies only)	PART#	QTY
	<b>TABLE, E100-R INFEEED ROLLER</b>	<b>T00135</b>	<b>1</b>
1	TOP, E100-R INFEEED ROLLER TABLE - COMPLETE	T00132-1	1
2	ROLLER, 63.5x480 E100-R	T00136-1	2
	<b>BAR, E100-R SHORT GUIDE</b>	<b>T00368</b>	<b>1</b>
3	ANGLE, E100-R SHORT GUIDE BAR	T00367-1	1
4	ARM, E100-R GUIDE BAR	T00214-1	1
5	ARM, E100 GUIDE BAR	T00332-1	1
6	BOLT, M8X25-8.8 CARRIAGE HEAD ZINC	F81002-59	4
7	WASHER, 8.4 FLAT ZINC	F81054-1	4
8	NUT, M8 8 HEX NYLON ZINC LOCK	F81032-2	4
9	BOLT, 10/M8X12-12.9 SHOULDER (BOSSARD)	F81003-62	2
10	BUSHING, E100-R SHORT GUIDE BAR	T00137-1	2
11	NUT, M8 8 HEX NYLON ZINC LOCK	F81032-2	2
12	WASHER, ISO 7093-1-8-200 HV-A2E	F81054-11	2

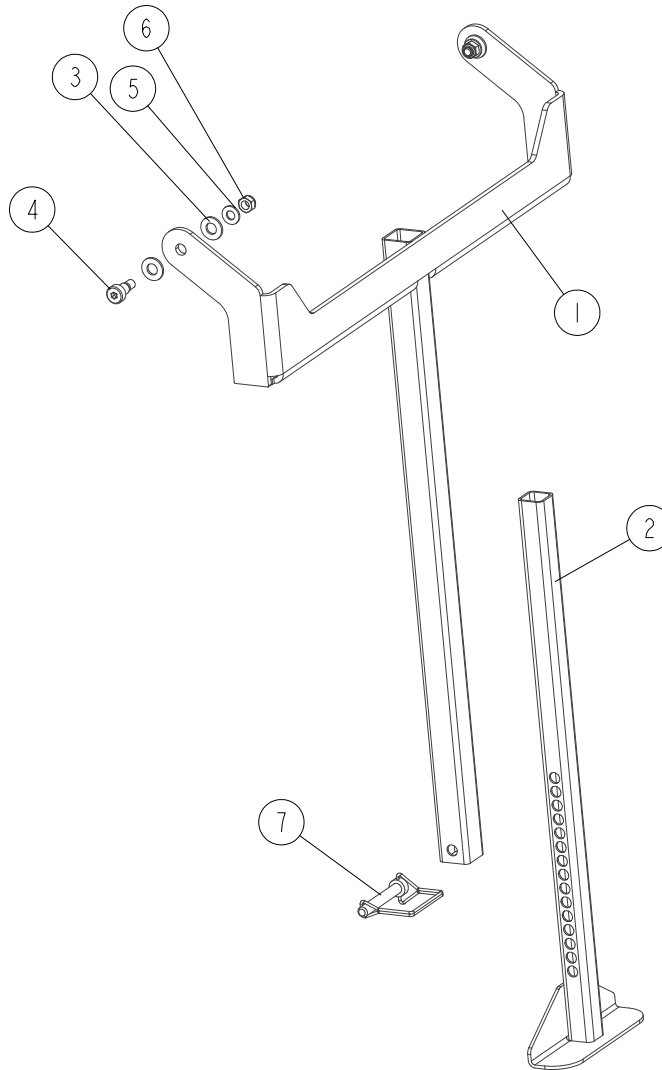
# 3

## E100-R Tables

### Table Leg

REF.	DESCRIPTION (◆ indicates parts available in assemblies only)	PART#	QTY
13	BOLT, M10X25 8.8 HEX HEAD FULL THREAD ZINC	F81003-11	4
14	WASHER, Z 10.2 SPLIT LOCK ZINC	F81055-2	4
15	WASHER, 10.5 FLAT ZINC	F81055-1	4
16	LEG, E100 TABLE - COMPLETE <a href="#">See Section 3.2</a>	T00338	1

### 3.2 Table Leg

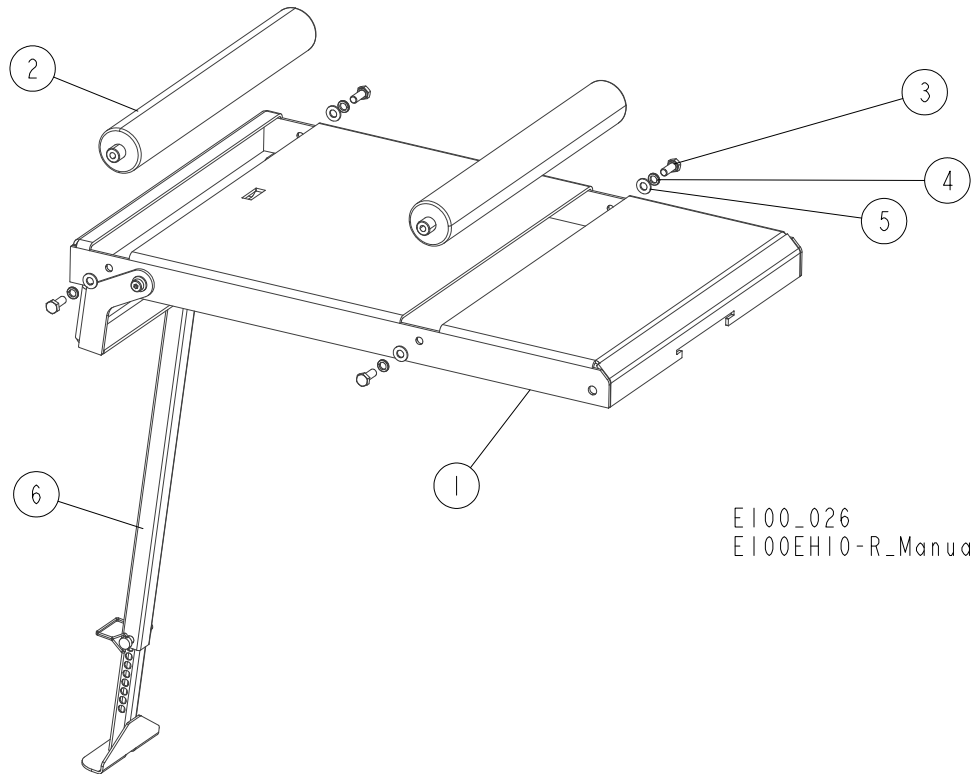


E100\_033  
E100EH10-R\_Manual

REF.	DESCRIPTION (◆ indicates parts available in assemblies only)	PART#	QTY
	<b>LEG, E100 TABLE - COMPLETE</b>	<b>T00338</b>	<b>1</b>
1	TUBE WELDMENT - TABLE LEG UPPER PART	T00339-1	1
2	TUBE WELDMENT - TABLE LEG LOWER PART	T00342-1	1
3	WASHER, 10.5 FLAT ZINC	F81055-1	4
4	BOLT, 10/M8X12-12.9 SHOULDER (BOSSARD)	F81003-62	2
5	WASHER, 8.4 FLAT ZINC	F81054-1	2
6	NUT, M8 8 HEX NYLON ZINC LOCK	F81032-2	2
7	PIN, 3/8X2 1/4 SQ WIRE LOCK	014151	1



### 3.3 Outfeed Roller Table



E100\_026  
 E100EH10-R\_Manual

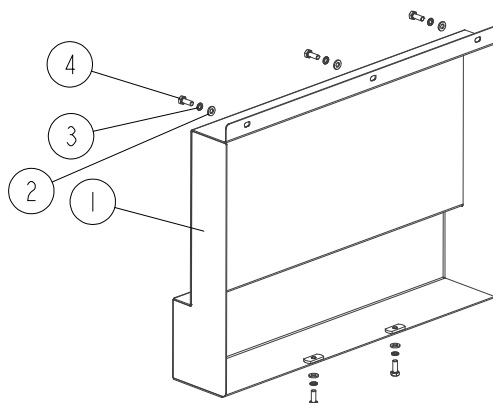
REF.	DESCRIPTION (◆ indicates parts available in assemblies only)	PART#	QTY
	<b>TABLE, E100-R OUTFEED ROLLER</b>	<b>T00182</b>	<b>1</b>
1	TOP, E100-R OUTFEED ROLLER TABLE	T00181-1	1
2	ROLLER, 63.5x480 E100-R	T00136-1	2
3	BOLT, M10X25 8.8 HEX HEAD FULL THREAD ZINC	F81003-11	4
4	WASHER, Z 10.2 SPLIT LOCK ZINC	F81055-2	4
5	WASHER, 10.5 FLAT ZINC	F81055-1	4
6	LEG, E100 TABLE - COMPLETE <a href="#">See Section 3.2</a>	T00338_1	1

### 3 E100-R Tables

Table Drive Guard (E100-R)

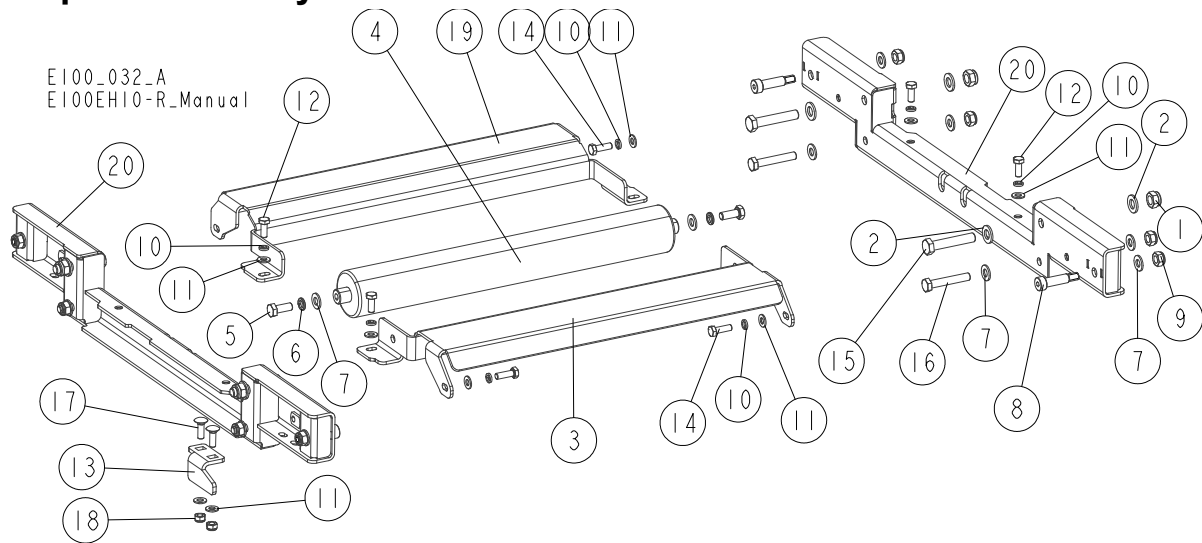
#### 3.4 Table Drive Guard (E100-R)

E100\_028  
E100EH10-R\_Manual



REF.	DESCRIPTION (◆ indicates parts available in assemblies only)	PART#	QTY	
1	GUARD WELDMENT, E100-R	T00139-1	1	
2	WASHER, 6.4 FLAT ZINC	F81053-1	5	
3	WASHER, Z 6.1 SPLIT LOCK ZINC	F81053-3	5	
4	BOLT, M6X16-8.8 HEX HEAD FULL THREAD ZINC	F81001-15	5	

### 3.5 Adapter Assembly for Roller Tables

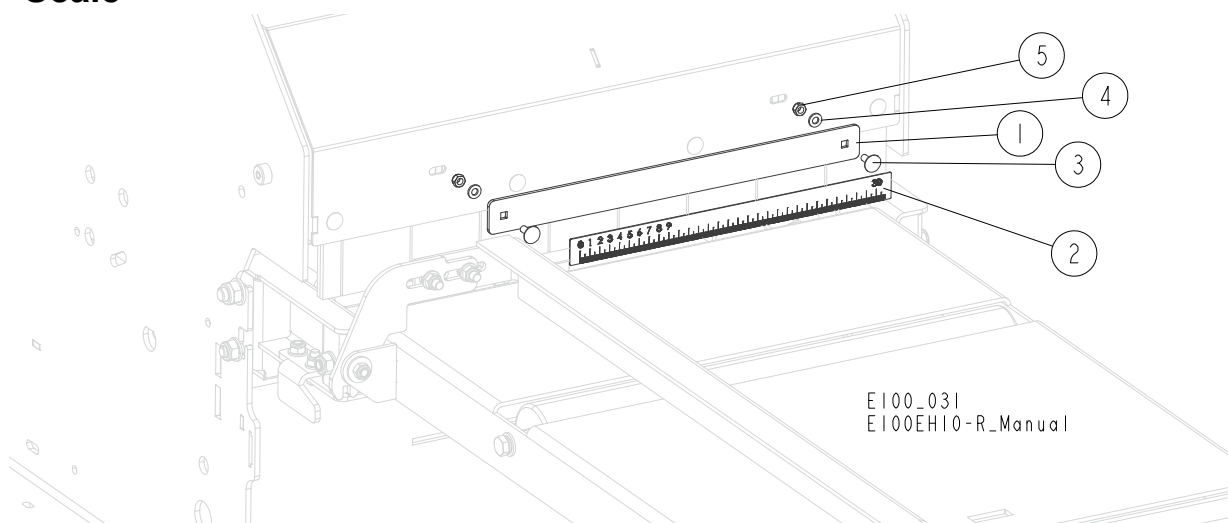


REF.	DESCRIPTION (◆ indicates parts available in assemblies only)	PART#	QTY
	<b>ADAPTER ASSEMBLY FOR E100-R ROLLER TABLES</b>	<b>T00125</b>	<b>1</b>
1	NUT, M12 8 HEX NYLON ZINC LOCK	F81034-2	4
2	WASHER, 13 FLAT ZINC	F81056-1	8
3	PLATE, E100-R W/ROLLER BRACKET	T00159-1	1
4	ROLLER, 63.5x480 E100-R	T00136-1	1
5	BOLT, M10X25 8.8 HEX HEAD FULL THREAD ZINC	F81003-11	2
6	WASHER, Z 10.2 SPLIT LOCK ZINC	F81055-2	2
7	WASHER, 10.5 FLAT ZINC	F81055-1	14
8	BOLT, 12/M10x35 12.9 ISO7379 SHOULDER (Bossard)	F81003-48	4
9	NUT, M10-8-B HEX NYLON ZINC LOCK	F81033-1	8
10	WASHER, 8.2 SPLIT LOCK ZINC	F81054-4	8
11	WASHER, 8.4 FLAT ZINC	F81054-1	10
12	BOLT, M8X20 8.8 HEX HEAD FULL THREAD ZINC	F81002-4	4
13	BRACKET, GUIDE BAR LOCK	T00162-1	1
14	BOLT, M8x25-8.8-B HEX HEAD FULL THREAD ZINC	F81002-5	4
15	BOLT, M12x65-8.8 HEX HEAD ZINC	F81004-62	4
16	BOLT, M10X60-8.8 HEX HEAD ZINC	F81003-10	4
17	BOLT, M8X25-8.8 CARRIAGE ZINC	F81002-59	2
18	NUT, M8 8 HEX NYLON ZINC LOCK	F81032-2	2
19	PLATE, E100-R REAR SUPPORT	T00387-1	1
20	BRACKET, E100-R ROLLER TABLE	T00206-1	2

# 3 E100-R Tables

## Scale

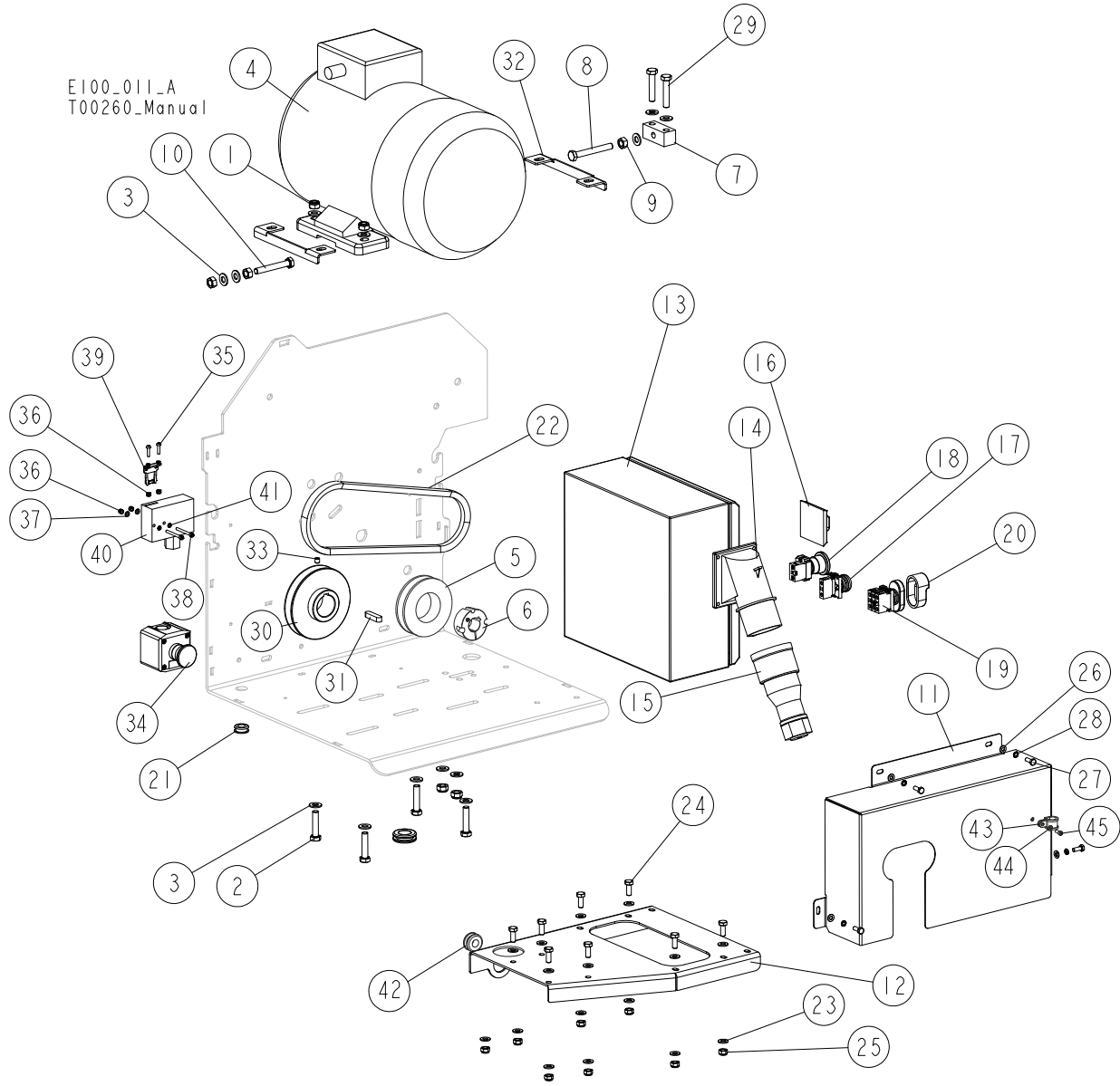
### 3.6 Scale



REF.	DESCRIPTION (◆ indicates parts available in assemblies only)	PART#	QTY
	<b>SCALE, E100-R UPPER BLADE COVER - COMPLETE</b>	<b>T00242</b>	<b>1</b>
	<b>BAR, E100R W/SCALE</b>	<b>T00244</b>	<b>1</b>
1	BAR, E100-R SCALE ZINC-PLATED	T00380-1	1
2	SCALE, 0-30 INFEED TABLE	T00320	1
	SCALE, 0-30 INFEED TABLE (INCH)	T00398	1
3	BOLT, M6X16-8.8 CARRIAGE ZINC	F81001-36	2
4	WASHER, 6.4 FLAT ZINC	F81053-1	2
5	NUT, M6-8-B HEX NYLON ZINC LOCK	F81031-2	2

**SECTION 4 ENGINE/MOTOR KITS**

**4.1 Motor Kit, E100 E100 E7S, E7, E10S, E10**



REF.	DESCRIPTION (◆ indicates parts available in assemblies only)	PART #	QTY	QTY	QTY	QTY
	<b>MOTOR KIT, E100 E7S</b>	<b>T00225</b>	<b>1</b>	-	-	-
	<b>MOTOR KIT, E100 E7</b>	<b>T00225-3</b>	-	<b>1</b>	-	-
	<b>MOTOR KIT, E100 E10S</b>	<b>T00371</b>	-	-	<b>1</b>	-
	<b>MOTOR KIT, E100 E10</b>	<b>T00371-3</b>	-	-	-	<b>1</b>
	<b>MOTOR KIT, E100 EC11U, EC11U-R</b>	<b>T00371-U</b>	-	-	-	<b>1</b>
<b>1</b>	NUT, M10 HEX NYLON ZINC LOCK	F81033-1	<b>6</b>	<b>6</b>	<b>6</b>	<b>6</b>
<b>2</b>	BOLT, M10X45 HEX HEAD FULL THREAD ZINC	F81003-3	<b>4</b>	<b>4</b>	<b>4</b>	<b>4</b>
<b>3</b>	WASHER, 10.5 FLAT ZINC	F81055-1	<b>15</b>	<b>15</b>	<b>15</b>	<b>15</b>
<b>4</b>	MOTOR, 1LA7130-2AA60-Z 5.5kW 400V 50Hz	095785	<b>1</b>	<b>1</b>	-	-
	MOTOR, 1LE1002-1CA13-4AA4Z-B16, 7.5kW 400V/690 50Hz S6 60%	085482	-	-	<b>1</b>	<b>1</b>
	ENGINE,ELECTRIC.(7.5KW)11KM 1LA7131-2AA6	085482-UL 1	-	-	-	<b>1</b>

## 4

## ENGINE/MOTOR KITS

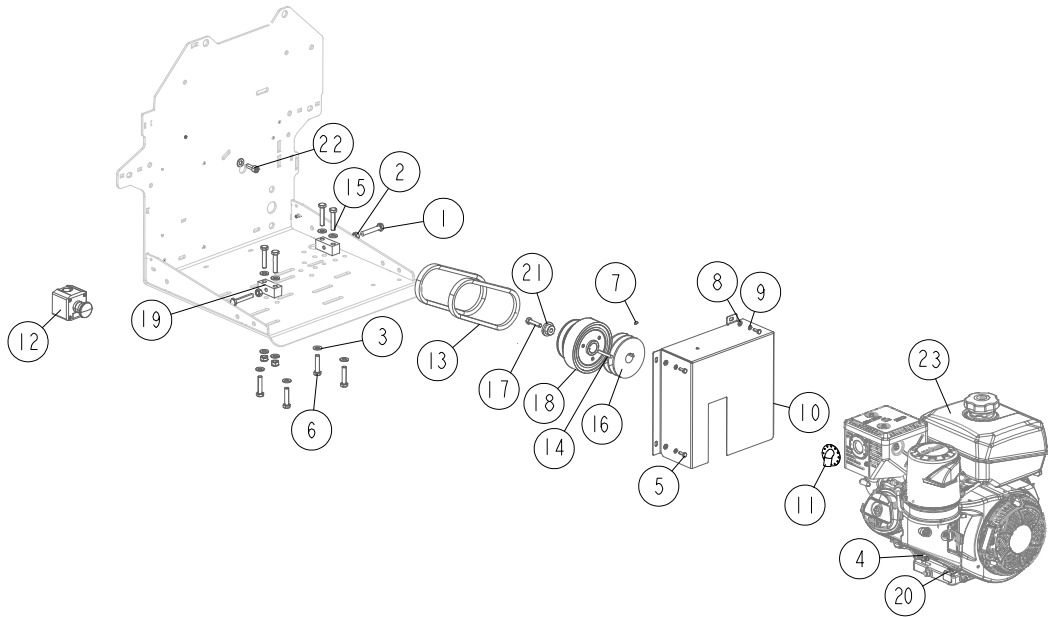
Motor Kit, E100 E100 E7S, E7, E10S, E10

REF.	DESCRIPTION (◆ indicates parts available in assemblies only)	PART #	QTY	QTY	QTY	QTY
5	PULLEY, 16X108	T00282-1	1	1	1	1
6	BOLT, M10x50-8.8 HEX HEAD FULL THREAD ZINC	F81003-4	2	2	2	2
7	BLOCK, BELT TENSIONER	T00660-1	1	1	1	1
8	BOLT, M10X80 8.8 HEX HEAD FULL THREAD ZINC	F81003-76	1	1	1	1
9	NUT, M10 8 HEX ZINC	F81033-3	3	3	3	3
10	BOLT, M10X70 8.8 HEX HEAD FULL THREAD ZINC	F81003-20	1	1	1	1
11	GUARD, DRIVE COMPLETE (ELECTRIC VERSION)	T00186-1	1	1	1	1
12	PLATE, ELECTRIC BOX MOUNT	T00213-1	1	1	1	1
	<b>BOX, E100-E7S ELECTRIC</b>	<b>T00224</b>	1	-	-	-
	<b>BOX, E100-E7 ELECTRIC</b>	<b>T00224-3</b>	-	1	-	-
	<b>BOX, E100-E10S ELECTRIC</b>	<b>T00370</b>	-	-	1	-
	<b>BOX, E100-E10 ELECTRIC</b>	<b>T00370-3</b>	-	-	-	1
	<b>BOX, E100-EC11U, EC11U-R ELECTRIC</b>	<b>T00370-U</b>	-	-	-	1
13	BOX, SAREL S83002/300x300x150	092627	1	-	1	-
	BOX, SAREL NSYSCRN33200 /300x300x200/	088266	-	1	-	1
14	PLUG, 16A 5P 778152-6 PCE POWER	E85239	1	1	1	1
15	SOCKET, 16A 5P 2152-6TT PCE	E85240	1	1	1	1
16	HANDLE, OHB S2A1 AB SWITCH	502312-1	1	1	1	1
17	LIGHT, M22 LED 24V BLUE CONTROL	090448	1	1	1	1
18	BUTTON, XB4 BS542 EMERGENCY STOP	086556	1	1	1	1
19	SWITCH, 24V MOELLER ILLUMINATED	090452	1	1	1	1
20	DIAPHRAGM, M22-T-DD MOELLER	090462	1	1	1	1
21	GROMMET, 20/13 RUBBER	086188	1	-	1	-
22	BELT, HB 775 Li -820 Lw	T00322	1	1	1	1
23	WASHER, 8.4 FLAT ZINC	F81054-1	16	16	16	16
24	BOLT, M8X20 5.8 HEX HEAD FULL THREAD ZINC	F81002-1	8	8	8	8
25	NUT, M8 8 HEX NYLON ZINC LOCK	F81032-2	8	8	8	8
26	WASHER, 6.4 FLAT ZINC	F81053-1	12	4	12	4
27	BOLT, M6x16-8.8 HEX HEAD FULL THREAD ZINC	F81001-15	4	4	4	4
28	WASHER, Z 6.1SPLIT LOCK ZINC	F81053-3	4	4	4	4
29	GROMMET, 22mm I.D. RUBBER	087400	2	2	2	2
30	GUARD, E-STOP BUTTON	T00211-1	1	-	1	-
31	SCREW, M6x8-33H-GEOMET HEX SOCKET SET W/CONE POINT	F81013-1	1	1	1	1
32	NUT, M6-8-B HEX NYLON ZINC LOCK	F81031-2	4	-	4	-
33	SCREW, M6x16 8.8 HEX SOCKET HEAD CAP ZINC	F81001-21	4	-	4	-
34	PULLEY, LT15 E11 MOTOR	086807-1	1	1	1	1
35	KEY, A10x8x40 PARALLEL	502045	1	1	1	1
36	BRACKET, MOTOR	100760-1	2	2	2	2
37	SCREW, M8X8-33H GEOMET HEX SOCKET SET W/FLAT POINT	F81014-1	1	1	1	1
38	SWITCH, XALK 174 EMERGENCY STOP	E22703-P	1	-	1	-
39	SCREW, M4x16 5.8-B CROSS RECESSED PAN HEAD ZINC	F81011-42	2	-	2	-
40	NUT, M4-8 HEX NYLON ZINC LOCK	F81029-1	4	-	4	-
41	WASHER, 4.3 FLAT ZINC	F81051-2	2	-	2	-
42	SCREW, M4x40 8.8 HEX SOCKET HEAD CAP ZINC	F81011-37	2	-	2	-
43	KEY, AZ17/170-B5 SAFETY SWITCH	094422	1	-	1	-
44	INTERLOCK, AZM170-11 SOLENOID	095831	1	-	1	-
45	WASHER, Z 4.1 SPLIT LOCK ZINC	F81051-1	3	-	3	-

<sup>1</sup> Belongs to **T00371-U**

**4.2 EG100G14S, EG100G14, G14U Engine Kits**

E100\_060  
EG100G14S



REF.	DESCRIPTION (◆ Indicates Parts Available in Assemblies Only)	PART#	QTY
	<b>ENGINE KIT, EG100 G14S</b>	T00661	1
	<b>ENGINE KIT, EG100 G14, G14U</b>	T00661-3	1
	<b>ENGINE KIT, EG100GU</b>	T00661-3U	1
1	BOLT, M10X60-8.8 HEX HEAD FULL THREAD ZINC	F81003-140	2
2	NUT, M10-8-B-HEX ZINC	F81033-3	1
3	WASHER,10,5 FLAT ZINC	F81055-1	15
4	NUT, M10-8-B HEX NYLON ZINC LOCK	F81033-1	9
5	BOLT, M6x16 8.8 HEX HEAD FULL THREAD ZINC	F81001-15	4
6	BOLT, M10x45-8.8-HEX HEAD FULL THREAD ZINC	F81003-3	4
7	SCREW, M6x8 45H GEOMET HEX SOCKET SET W/FLAT POINT	F81013-1	2
8	WASHER, 6,4 FLAT ZINC	F81053-1	12
9	WASHER, Z 6,1 SPLIT LOCK ZINC	F81053-3	4
10	GUARD, ENGINE DRIVE	T00657-1	1
11	NUT, M6-8-B-HEX NYLON ZINC LOCK	F81031-2	4
12	SCREW, M6x16 -8.8- HEX SOCKET HEAD CAP ZINC	F81001-21	4
13	GUARD, EMERGENCY STOP BUTTON E100 PTD.	T00211-1	1
14	KEY, AZ17/170-B5 SAFETY SWITCH	094422	1
15	NUT, M4-B HEX NYLON ZINC LOCK	F81029-1	4
16	BUTTON, XALK 178 EMERGENCY STOP	E22703-P	1
17	BELT, DAYCO 7188 15,2 x 596 Le DRIVE	T00346	2
18	SCREW, M4x16 5,8-B CROSS RECESSED PAN HEAD ZINC	F81011-42	2
19	SCREW, M4x35 -8.8- HEX SOCKET HEAD CAP ZINC	F81011-34	2
20	SWITCH, AZ17-11ZRK SAFETY	094232	1
21	WASHER, 4,3 FLAT ZINC	F81051-2	2
22	KEY, 6,35 x 6,36 x 40	092601	1
23	BOLT, M10x50-8.8-HEX HEAD FULL THREAD ZINC	F81003-4	4
24	PULLEY, 2X15,4X108	T00655-1	1

## 4

**ENGINE/MOTOR KITS***EG100G14S, EG100G14, G14U Engine Kits*

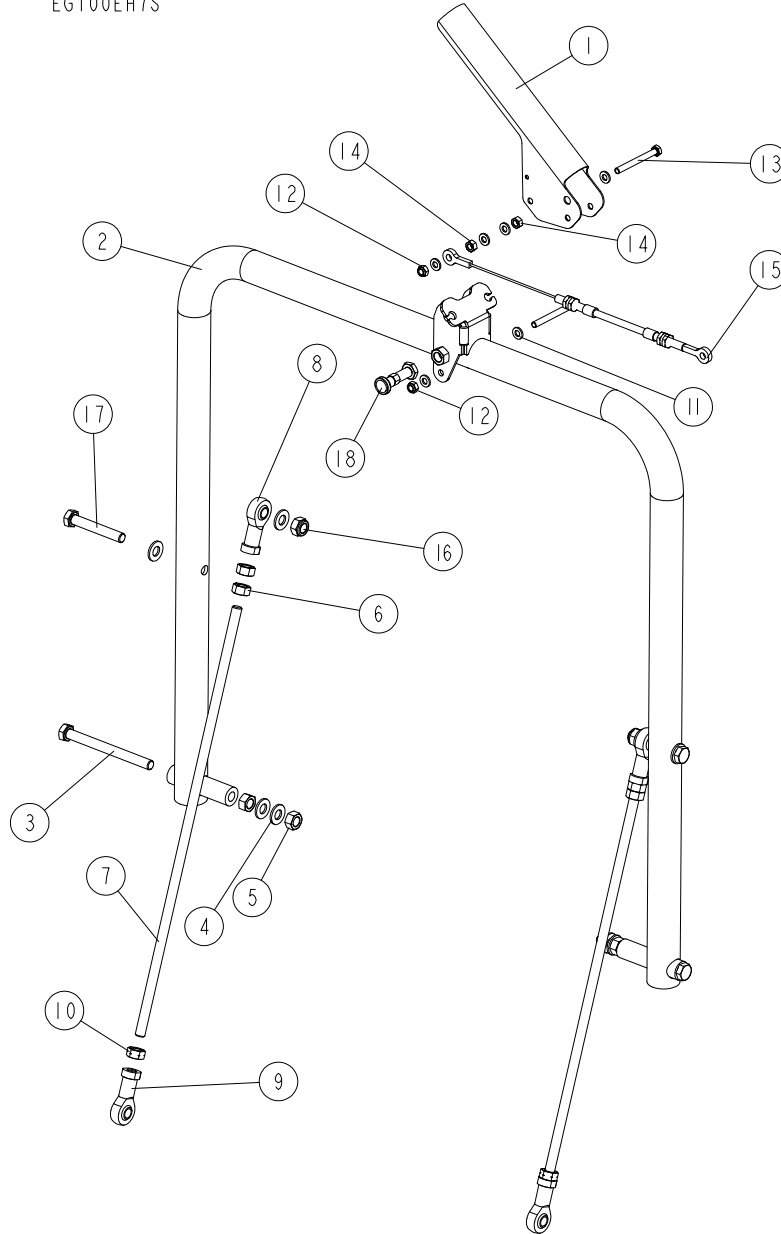
REF.	DESCRIPTION (◆ Indicates Parts Available in Assemblies Only)	PART#	QTY
25	BOLT, 3/8-24X1 1/2 HH Gr8 Yzc	F05007-143	1
26	CLUTCH, NORAM 180009 CENTRIFUGAL	T00654	1
	SPRING	T00665	3
	LINING, CLUTCH	T00666	3
	HUB ASSEMBLY	T00667	1
	PULLEY, W/DRUM	T00668	1
	BUSHING, 6007-2RS	096955	2
	RING, W62 RETAINING	F81090-1	1
	RING, Z35 RETAINING	F81090-36	1
27	BLOCK, TENSIONER THREADED	T00660-1	2
28	PLATE, ENGINE TRAY SECURING	T00659-1	2
29	WASHER, CLUTCH ZINC	T00656-1	1
30	SCREW, M10x25 8.8 HEX SOCKET HEAD CAP ZINC	F81003-32	1
31	ENGINE, KOHLER G14 (CH440-3149)	X200-1201	1



## SECTION 5 MAIN MODULE

### 5.1 Cutting Width Setting System

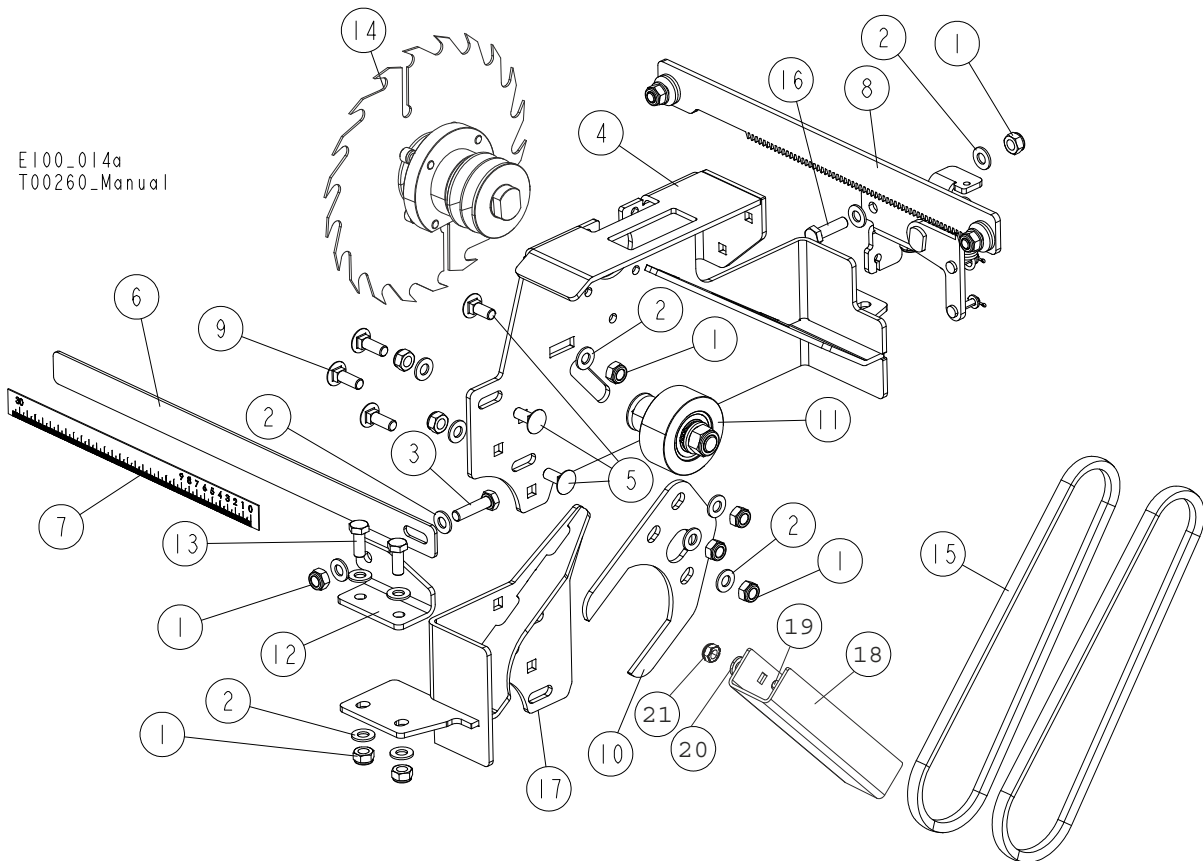
EG100EH7S\_001  
EG100EH7S



REF.	DESCRIPTION (◆ Indicates Parts Available in Assemblies Only)	PART#	QTY
	<b>CUTTING WIDTH SETTING SYSTEM</b>	<b>T00127</b>	<b>1</b>
1	LEVER, CABLE	516929-1	1
2	LEVER WELDMENT, CUTTING WIDTH SETTING	T00128-1	1
3	BOLT, M10X110-8.8 HEX HEAD ZINC	F81003-43	2
4	WASHER, 10.5 FLAT ZINC	F81055-1	8
5	NUT, M10 8 HEX ZINC	F81033-3	4
	<b>LINK, COMPLETE</b>	<b>T00250</b>	<b>1</b>
6	NUT, M10 8 HEX ZINC	F81033-3	2
7	ROD, LINK	T00249-1	1

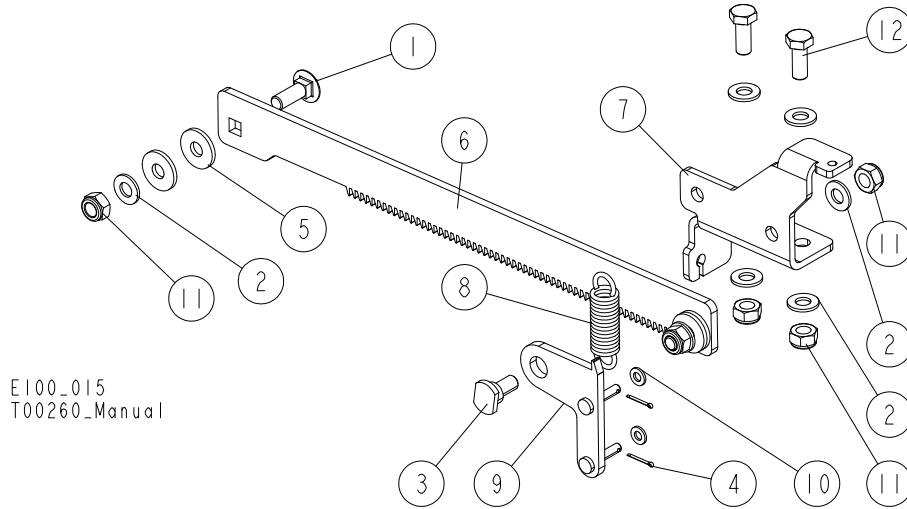
REF.	DESCRIPTION (◆ Indicates Parts Available in Assemblies Only)	PART#	QTY	
8	END, SI10 CX LINK	T00245	1	
9	END, SIL10 CX LINK	T00241	1	
10	NUT, M10LH 8 HEX LEFT ZINC	F81033-12	1	
11	WASHER, 6.4 FLAT ZINC	F81053-1	6	
12	NUT, M6-8-B HEX NYLON ZINC LOCK	F81031-2	2	
13	BOLT, M6X60-8.8 HEX HEAD FULL THREAD ZINC	F81001-9	2	
14	NUT, M6 8 HEX ZINC	F81031-1	2	
15	CABLE, PAWL	T00235	1	
16	NUT, M10-8-B HEX NYLON ZINC LOCK	F81033-1	2	
17	BOLT, M10X65-8.8 HEX HEAD ZINC	F81003-67	2	
18	PIN, SAFETY	T00689	1	

## 5.2 Movable Blade w/Mount Plate



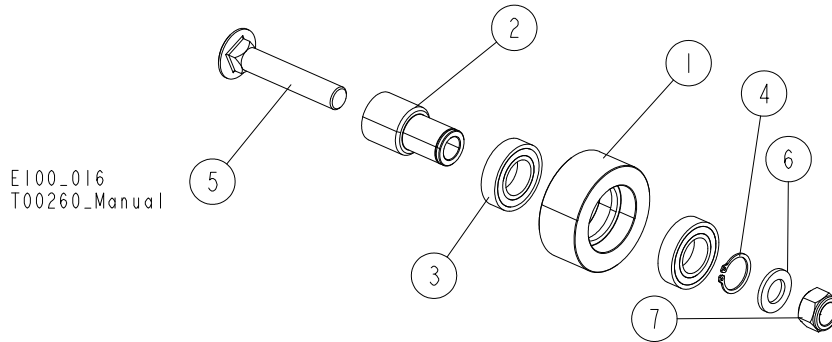
REF.	DESCRIPTION (◆ Indicates Parts Available in Assemblies Only)	PART#	QTY
	<b>PLATE ASSEMBLY, MOVABLE</b>	<b>T00251</b>	<b>1</b>
1	NUT, M10-8-B HEX NYLON ZINC LOCK	F81033-1	10
2	WASHER, 10.5 FLAT ZINC	F81055-1	14
3	BOLT, M10X40-8.8 HEX HEAD FULL THREAD ZINC	F81003-16	1
4	PLATE, MOVABLE BLADE - COMPLETE	T00200-1	1
5	BOLT, M10X25-8.8 CARRIAGE ZINC	F81003-59	3
	<b>COMPLETE SCALE</b>	<b>T00325</b>	<b>1</b>
6	PLATE, BLADE SCALE ZINC-PLATED	T00324-1	1
7	SCALE, BLADE	T00321	1
	SCALE, BLADE, INCH	T00399	1
8	LOCK ASSEMBLY, BLADE POSITION <a href="#">See Section 5.3</a>	T00246	1
9	BOLT, M10X30-8.8 CARRIAGE ZINC	F81003-101	3
10	FORK, MOVABLE BUSHING ZINC-PLATED	T00199-1	1
11	TENSIONER, BLADE DRIVE BELT <a href="#">See Section 5.4</a>	T00522	1
12	ANGLE, MOVABLE PLATE ZINC-PLATED	T00253-1	1
13	BOLT, M10X25 8.8 HEX HEAD FULL THREAD ZINC	F81003-11	2
14	BLADE ASSEMBLY, MOVABLE <a href="#">See Section 5.5</a>	T00546	1
15	BELT, AVX 13 x 830 La.	T00269	2
16	BOLT, M10X35 8.8 HEX HEAD FULL THREAD ZINC	F81003-17	1
17	BRACKET WELDMENT, MOVABLE BLADE PLATE	T00203-1	1
18	GUIDE, SAWDUST	T00662-1	1
19	BOLT, M6x16-8.8 CARRIAGE ZINC	F81001-36	2
20	WASHER, M6, FLAT,ZINC	F81053-1	2
21	NUT,M6-8-B HEX,NYLON LOCK ZINC	F81031-2	2

**5.3 Blade Position Lock Assembly**



REF.	DESCRIPTION (◆ Indicates Parts Available in Assemblies Only )	PART#	QTY
	<b>LOCK ASSEMBLY, BLADE POSITION</b>	<b>T00246</b>	<b>1</b>
1	BOLT, M10X30-8.8 CARRIAGE ZINC	F81003-101	2
2	WASHER, 10.5 FLAT ZINC	F81055-1	7
3	PIN	T00212-1	1
4	PIN, ISO 1234-2X16-ST-A2 COTTER	F81041-2	2
5	WASHER, 10.5 SPECIAL FLAT ZINC	F81055-6	4
6	PLATE, BLADE SETTING ZINC-PLATED	T00326-1	1
	PLATE, BLADE SETTING ZINC-PLATED, INCH	T00620-1	1
7	BRACKET, PAWL ZINC-PLATED	T00328-1	1
8	SPRING, 3/4x2 7/8x12Ga	015479	1
9	PAWL, ZINC-PLATED - COMPLETE	T00268-1	1
10	WASHER, 6.4 FLAT ZINC	F81053-1	2
11	NUT, M10-8-B HEX NYLON ZINC LOCK	F81033-1	5
12	BOLT, M10X25 8.8 HEX HEAD FULL THREAD ZINC	F81003-11	2

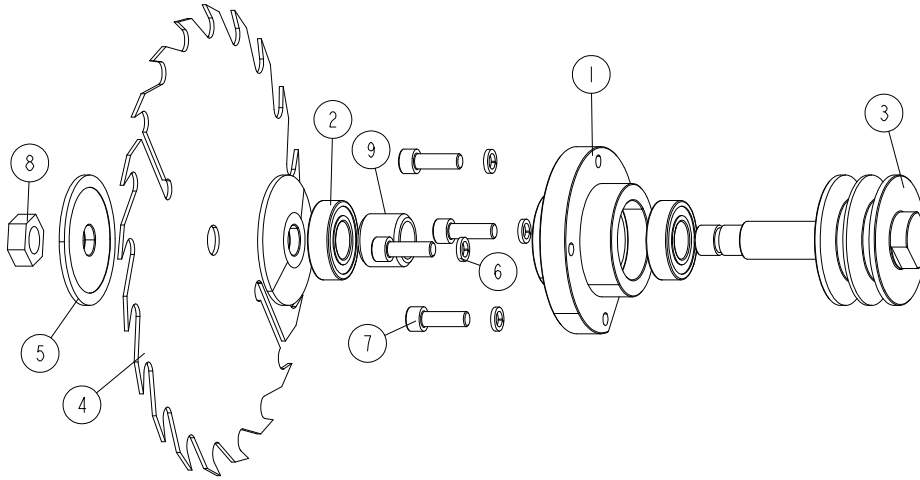
## 5.4 Blade Drive Belt Tensioner



REF.	DESCRIPTION (◆ Indicates Parts Available in Assemblies Only)	PART#	QTY	
	<b>TENSIONER, BLADE DRIVE BELT</b>	T00522	1	
1	ROLLER, BELT TENSIONER	T00524	1	
2	BUSHING, TENSIONER ROLLER ZINC-PLATED	T00523-1	1	
3	BEARING, 6005 2RS PN-85/M-86100	089652	2	
4	RING, 25Z OUTSIDE RETAINING	F81090-22	1	
5	BOLT, M16X110 8.8 CARRIAGE ZINC	F81006-71	1	
6	WASHER, 17 SPLIT LOCK ZINC	F81058-1	1	
7	NUT, M16-8 HEX NYLON ZINC LOCK	F81036-2	1	

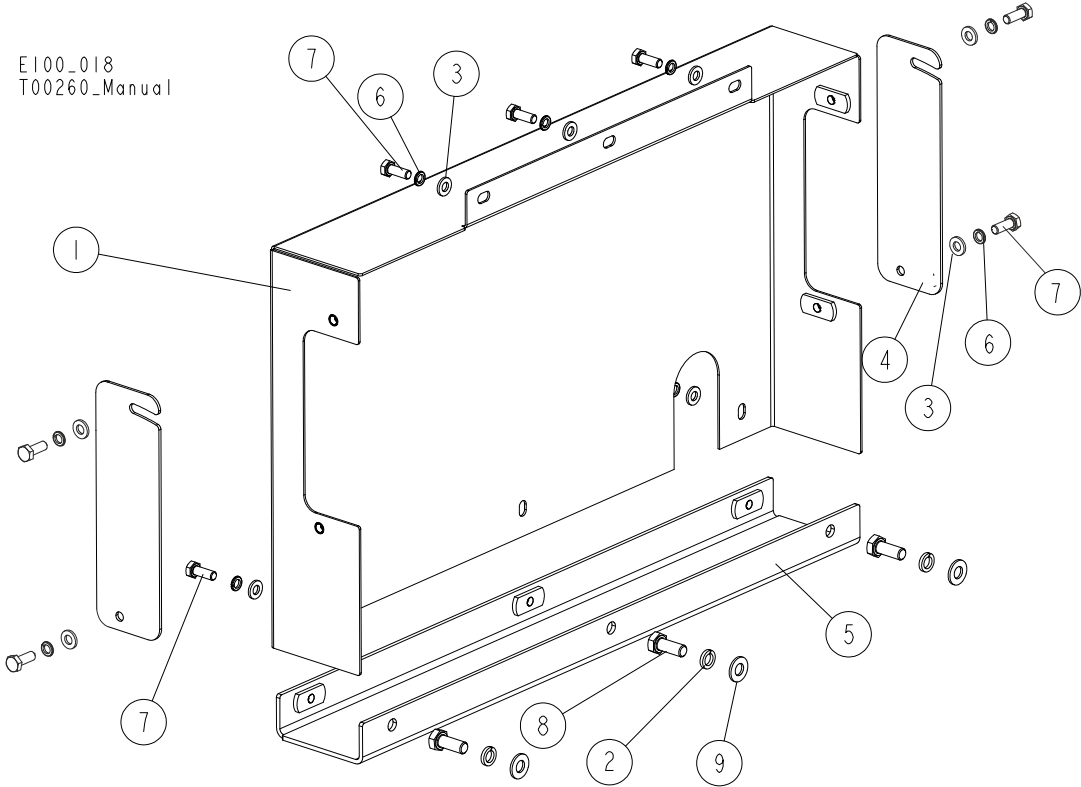
### 5.5 Movable Blade Assembly

T00546\_001  
T00546\_MANUAL



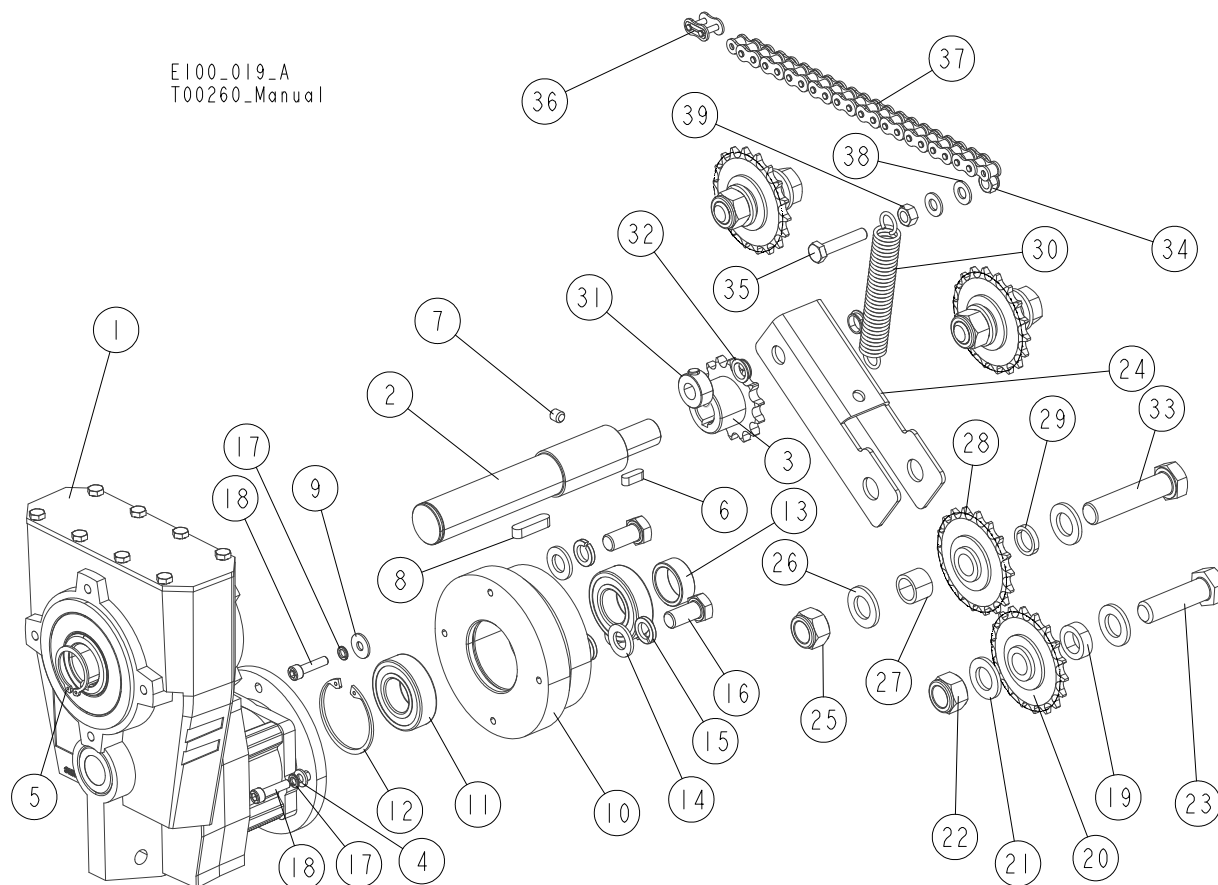
REF.	DESCRIPTION (◆ Indicates Parts Available in Assemblies Only )	PART#	QTY
-	<b>BLADE ASSEMBLY, MOVABLE</b>	T00546	1
1	SLEEVE, BLADE BEARING	T00547-1	1
2	BEARING, 6004 2RSR	095625	2
3	SHAFT, MOVABLE BLADE	T00675-1	1
4	BLADE, CIRCULAR	T00168	1
5	DISC, BLADE MOUNTING	T00263-1	2
6	WASHER, 8.2 SPLIT LOCK ZINC	F81054-4	4
7	SCREW, M8X25 8.8 HEX SOCKET HEAD CAP ZINC	F81002-21	4
8	NUT, M16X1,5 H=10 LEFT	T00678-1	1
9	BUSHING, 20/28-23,5	T00679	1

## 5.6 Table Drive Cover Assembly



REF.	DESCRIPTION (◆ Indicates Parts Available in Assemblies Only)	PART#	QTY
	<b>COVER ASSEMBLY, TABLE DRIVE</b>	<b>T00228</b>	<b>1</b>
1	COVER WELDMENT, TABLE DRIVE	T00229-1	1
2	WASHER, 8.2 SPLIT LOCK ZINC	F81054-4	3
3	WASHER, 6.4 FLAT ZINC	F81053-1	10
4	PLATE, COVER	T00231-1	2
5	BRACKET WELDMENT, COVER	T00232-1	1
6	WASHER, Z 6.1 SPLIT LOCK ZINC	F81053-3	10
7	BOLT, M6X16-8.8 HEX HEAD FULL THREAD ZINC	F81001-15	10
8	BOLT, M8X20 5.8 HEX HEAD FULL THREAD ZINC	F81002-1	3
9	WASHER, 8.4 FLAT ZINC	F81054-1	3

### 5.7 Table Drive Assembly



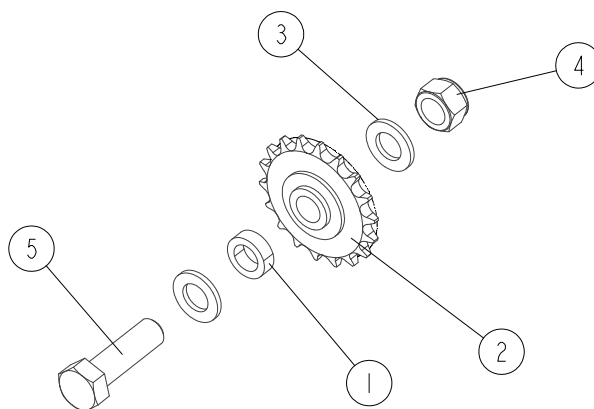
REF.	DESCRIPTION (◆ Indicates Parts Available in Assemblies Only )	PART#	QTY
	<b>DRIVE ASSEMBLY, TABLE</b>	<b>T00256</b>	<b>1</b>
	<b>REDUCER, TABLE DRIVE</b>	T00300	1
1	REDUCER, HR302/64.51[120/19] WBS/B8	T00170	1
2	SHAFT, REDUCER OUTPUT	T00302-1	1
3	SPROCKET, 10B Z14	090702-1	1
4	WASHER, 6.4 FLAT ZINC	F81053-1	3
5	RING, 30Z OUTSIDE RETAINING	F81090-23	1
6	KEY, A 6X6X18	089404	1
7	SCREW, M8X8-33H GEOMET HEX SOCKET SET W/FLAT POINT	F81014-1	1
8	KEY, A8X7X32 PARALLEL	088564	1
9	WASHER, 6.5 SPECIAL FLAT ZINC	F81053-11	1
	<b>HOUSING, MAIN SHAFT BEARING - COMPLETE</b>	T00435	1
10	HOUSING, MAIN SHAFT BEARING	T00379-1	1
11	BEARING, 6205-2RSH SKF	087353	2
12	RING, W52 INSIDE RETAINING	F81090-6	1
13	BUSHING, 25.5/32-12 ZINC-PLATED	097942-1	1
14	WASHER, 13 FLAT ZINC	F81056-1	3
15	WASHER, Z12.2 SPLIT LOCK ZINC	F81056-2	3
16	BOLT, M12X25-8.8 HEX HEAD FULL THREAD ZINC	F81004-31	3
17	WASHER, Z 6.1 SPLIT LOCK ZINC	F81053-3	4
18	SCREW, M6X25-8.8 HEX SOCKET HEAD CAP ZINC	F81001-41	4
	<b>SPROCKET, CHAIN GUIDE - COMPLETE</b>	T00254	3



REF.	DESCRIPTION (◆ Indicates Parts Available in Assemblies Only)	PART#	QTY	
19	BUSHING, 16.1/25-8 ZINC-PLATED	T00255-1	1	
20	SPROCKET, Z=18 LARGE	088700	1	
21	WASHER, 17 SPLIT LOCK ZINC	F81058-1	2	
22	NUT, M16-8 HEX NYLON ZINC LOCK	F81036-2	1	
23	BOLT, M16X55-8.8 HEX HEAD FULL THREAD ZINC	F81006-61	1	
	<b>TENSIONER, CHAIN - COMPLETE</b>	T00215	1	
24	LEVER, CHAIN TENSIONER	T00216-1	1	
25	NUT, M16-8 HEX NYLON ZINC LOCK	F81036-2	1	
26	WASHER, 17 SPLIT LOCK ZINC	F81058-1	2	
27	BUSHING, 16 1/21 3-15	T00217-1	1	
28	SPROCKET, Z=18 LARGE	088700	1	
29	BUSHING, 16 1/21 3-4	T00218-1	1	
30	SPRING, 3/4x 5x.095	015569	1	
31	RING, 12 STOPPING LIGHT TYPE	F81039-16	1	
32	BUSHING, IGUS MCM-12-03	T00165	2	
33	BOLT, M16x70 HEX HEAD ZINC	F81006-16	1	
34	NUT, M8 8 HEX NYLON ZINC LOCK	F81032-2	1	
35	BOLT, M8X40-8.8 HEX HEAD FULL THREAD ZINC	F81002-15	1	
36	LINK, 08B-1PZ MASTER	091625	1	
37	CHAIN, 08B-1 L=13081 mm 103-LINK	T00257	1	
38	WASHER, 8.4 FLAT ZINC	F81054-1	2	
39	NUT, M8-8-B HEX ZINC	F81032-1	1	

### 5.8 Chain Guide Sprocket

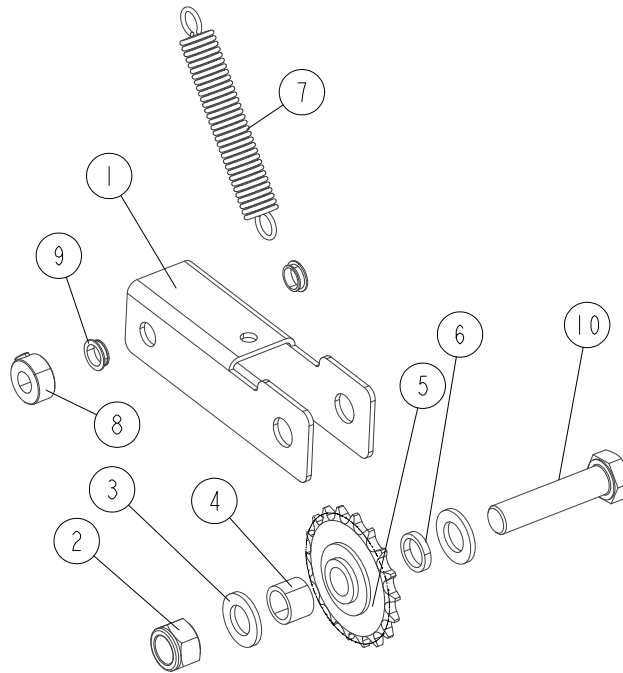
T00254\_001  
T00254\_MANUAL



REF.	DESCRIPTION (◆ Indicates Parts Available in Assemblies Only)	PART#	QTY
-	<b>SPROCKET, CHAIN GUIDE - COMPLETE</b>	<b>T00254</b>	<b>1</b>
1	BUSHING, 16.1/25-8	T00255-1	1
2	SPROCKET, Z=18 LARGE	088700	1
3	WASHER, 17 SPLIT LOCK ZINC	F81058-1	2
4	NUT, M16-8 HEX NYLON ZINC LOCK	F81036-2	1
5	BOLT, M16X55-8.8 HEX HEAD FULL THREAD ZINC	F81006-61	1

## 5.9 Chain Tensioner

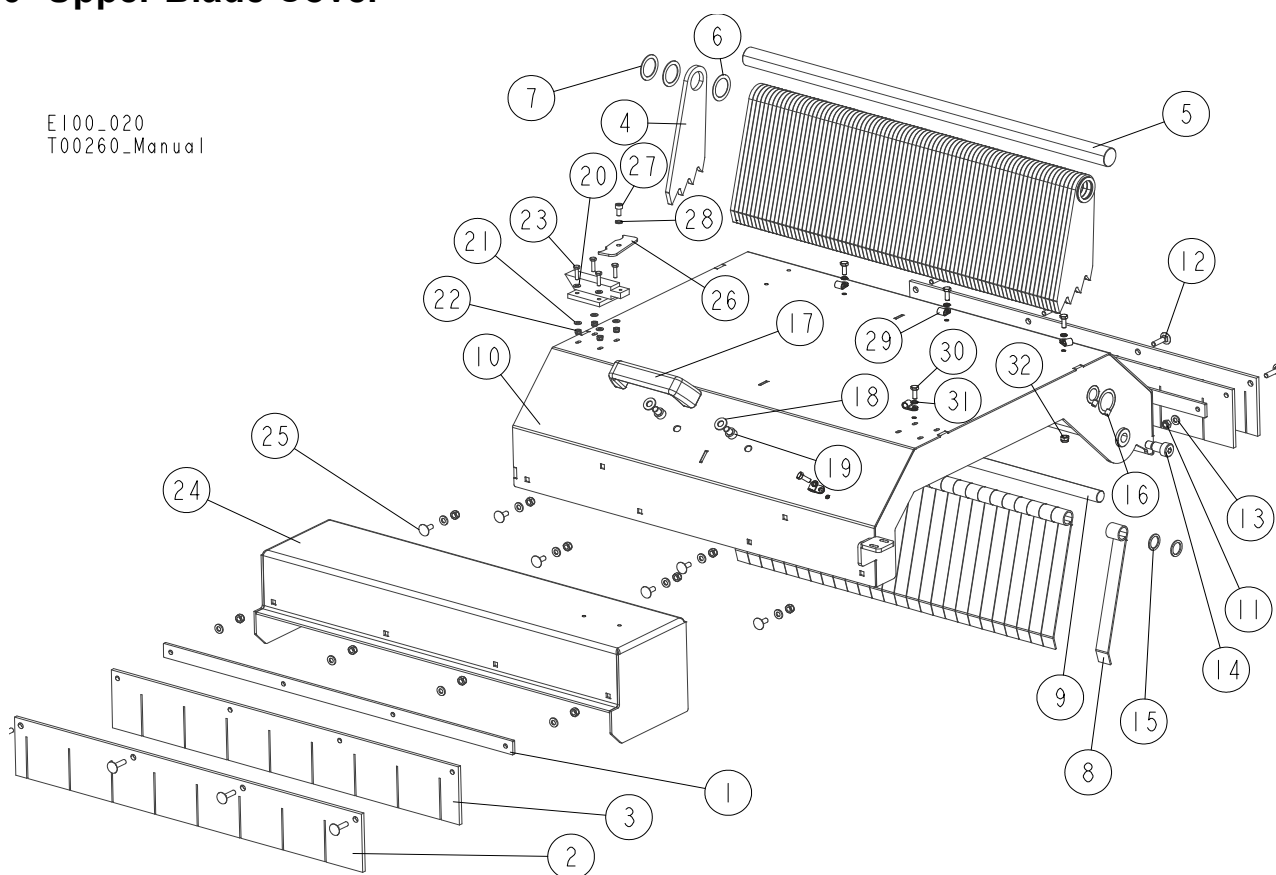
T00215\_001  
T00215\_MANUAL



REF.	DESCRIPTION (◆ Indicates Parts Available in Assemblies Only)	PART#	QTY
-	TENSIONER, CHAIN - COMPLETE	T00215	1
1	LEVER, CHAIN TENSIONER	T00216-1	1
2	NUT, M16-8 HEX NYLON ZINC LOCK	F81036-2	1
3	WASHER, 17 SPLIT LOCK ZINC	F81058-1	2
4	BUSHING, 16.1/21.3-15	T00217-1	1
5	SPROCKET, Z=18 LARGE	088700	1
6	BUSHING, 16.1/21.3-4	T00218-1	1
7	SPRING, 3/4x 5x.095	015569	1
8	RING, 12 STOPPING LIGHT TYPE	F81039-16	1
9	BUSHING, IGUS MCM-12-03	T00165	2
10	BOLT, M16X70 HEX HEAD ZINC	F81006-16	1

### 5.10 Upper Blade Cover

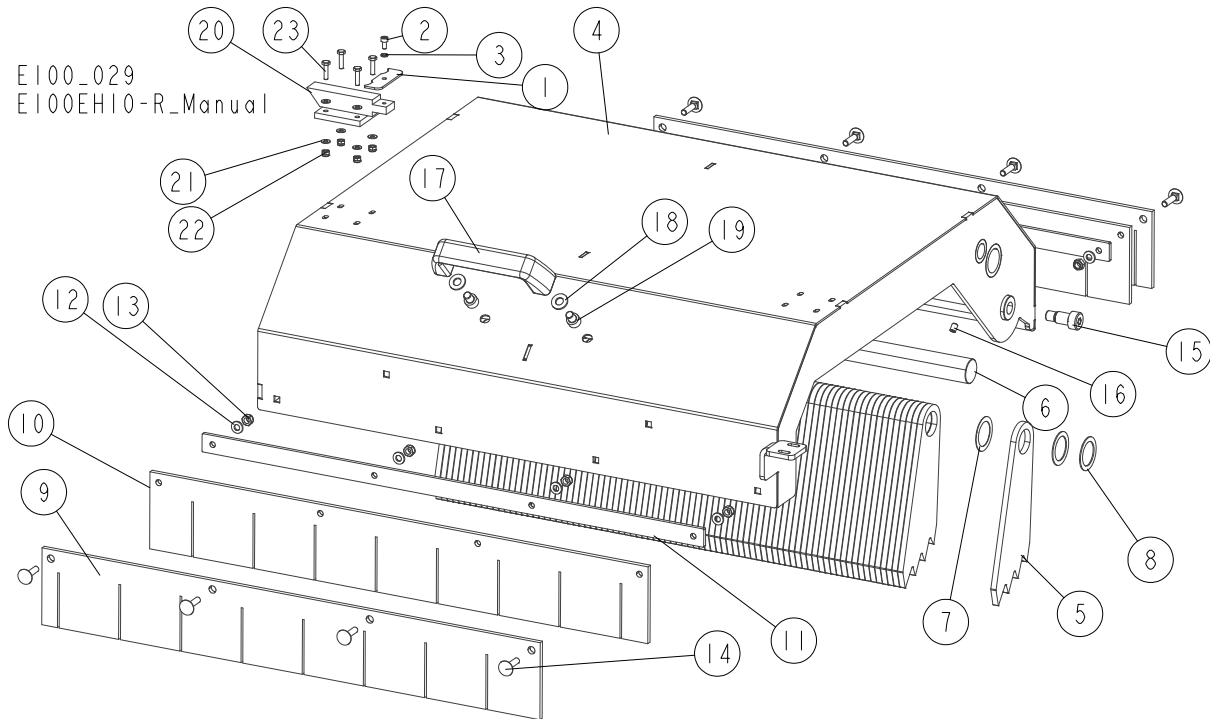
E100\_020  
T00260\_Manual



REF.	DESCRIPTION (◆ Indicates Parts Available in Assemblies Only)	PART#	QTY
	<b>COVER, UPPER - COMPLETE</b>	T00281	1
1	BAR, CLAMPING FLAT	T00184-1	2
2	GUARD, FLEXIBLE (I)	T00279	2
3	GUARD, FLEXIBLE (II)	T00280	2
	<b>ANTI-KICKBACK ASSEMBLY</b>	T00147	1
4	FINGER, ANTI-KICKBACK ZINC-PLATED	T00146-1	82
5	SHAFT, ANTI-KICKBACK FINGER ZINC	T00145-1	1
6	WASHER, DIN988 36x26x0.5 SPACER STAINLESS STEEL	T00323	83
7	WASHER, 25.5/35-1.5	503406	4
	<b>SHIELD ASSEMBLY, SPLINTER</b>	T00148	1
8	PLATE, SPLINTER SHIELD ZINC-PLATED	T00149-1	27
9	SHAFT, SPLINTER SHIELD ZINC-PLATED	T00278-1	1
10	COVER WELDMENT	T00270-1	1
11	NUT, M6-8-B HEX NYLON ZINC LOCK	F81031-2	14
12	BOLT, M6X25-8.8 CARRIAGE ZINC	F81001-20	8
13	WASHER, 6.4 FLAT ZINC	F81053-1	14
14	BOLT, 12/M10X16 12.9 ISO7379/BN1359 BOSSARD SOCKET HEAD	F81003-64	2
15	WASHER, 16.5/22-1.5	T00185	4
16	SCREW, M6x8-33H-GEOMET HEX SOCKET SET	F81013-1	4
17	HANDLE, UPPER COVER	T00236	1
18	WASHER, 8.4 FLAT ZINC	F81054-1	2
19	SCREW, M8X10-8.8 HEX SOCKET HEAD CAP ZINC	F81002-32	2
20	LATCH, K-4 GP	T00198	1

REF.	DESCRIPTION (◆ Indicates Parts Available in Assemblies Only)	PART#	QTY	
21	WASHER, 4.3 FLAT ZINC	F81051-2	8	
22	NUT, M4-8 HEX NYLON ZINC LOCK	F81029-1	4	
23	BOLT, M4X16-8.8 HEX HEAD FULL THREAD ZINC	F81011-6	4	
24	COVER, ADDITIONAL	T00227-1	1	
25	BOLT, M6X16-8.8 CARRIAGE ZINC	F81001-36	6	
26	BRACKET, COVER ZINC-PL. LOCK	T00365-1	1	
27	SCREW, M4X8 8.8 HEX SOCKET HEAD CAP ZINC	F81011-36	1	
28	WASHER, Z 4.1 SPLIT LOCK ZINC	F81051-1	1	
29	ELEMENT, EE63 MOUNTING	F81080-4	5	
30	BOLT, M4X10 DIN 933/ISO 4017 (A2) STAINL	F81000-27	5	
31	WASHER, M5 SPLIT LOCK	F81052-2	5	
32	NUT M4 ZC 8 NYLOCK DIN 982 ISO 7040	F81029-1	5	

**5.11 Upper Blade Cover (Non -R and -CE Version)**

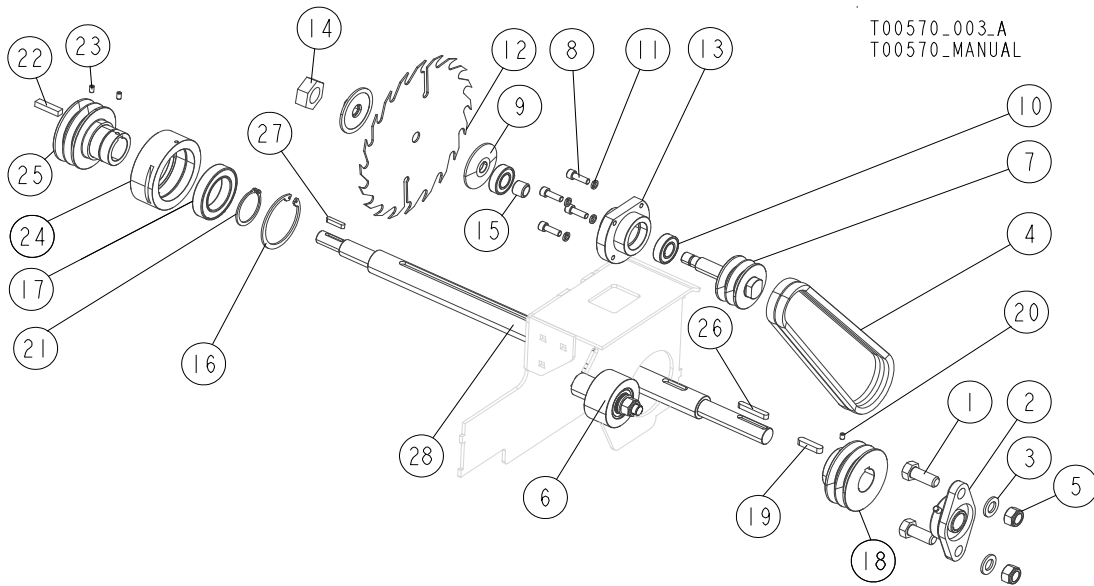


REF.	DESCRIPTION (◆ Indicates Parts Available in Assemblies Only)	PART#	QTY
	<b>COVER, UPPER - COMPLETE</b>	<b>T00281-3</b>	<b>1</b>
1	BRACKET, COVER ZINC-PL. LOCK	T00365-1	1
2	SCREW, M4X8 8.8 HEX SOCKET HEAD CAP ZINC	F81011-36	1
3	WASHER, Z 4.1 SPLIT LOCK ZINC	F81051-1	1
4	COVER WELDMENT	T00270-1	1
	<b>ANTI-KICKBACK ASSEMBLY</b>	<b>T00147</b>	<b>1</b>
5	FINGER, ANTI-KICKBACK ZINC-PLATED	T00146-1	83
6	SHAFT, ANTI-KICKBACK FINGER ZINC-PLATED	T00145-1	1
7	WASHER, DIN988 36x26x0.5 SPACER STAINLESS STEEL	T00323	82
8	WASHER, 25.5/35-1.5	503406	4
9	GUARD, FLEXIBLE (I)	T00279	2
10	GUARD, FLEXIBLE (II)	T00280	2
11	BAR, CLAMPING FLAT	T00184-1	2
12	WASHER, 6.4 FLAT ZINC	F81053-1	8
13	NUT, M6-8-B HEX NYLON ZINC LOCK	F81031-2	8
14	BOLT, M6X25-8.8 CARRIAGE ZINC	F81001-20	8
15	BOLT, 12/M10X16 12.9 ISO7379/BN1359 BOSSARD SOCKET HEAD	F81003-64	2
16	SCREW, M6X8-33H-GEOMET HEX SOCKET SET W/CONE POINT	F81013-1	2
17	HANDLE, UPPER COVER	T00236	1
18	WASHER, 8.4 FLAT ZINC	F81054-1	2
19	SCREW, M8X10-8.8 HEX SOCKET HEAD CAP ZINC	F81002-32	2
20	LATCH, K-4 GP	T00198	1
21	WASHER, 4.3 FLAT ZINC	F81051-2	8
22	NUT, M4-8 HEX NYLON ZINC LOCK	F81029-1	4
23	BOLT, M4X16-8.8 HEX HEAD FULL THREAD ZINC	F81011-6	4

5.12 Main Shaft & Fixed Blade (EG100 Edgers w/Adjustable Feed)

REF.	DESCRIPTION (◆ Indicates Parts Available in Assemblies Only )	PART#	QTY
1	BOLT, M16x40-8.8 HEX HEAD FULL THREAD ZINC	F81006-13	4
2	BEARING, UCFL205 W/HOUSING (COMPLEX)	089124	2
3	WASHER, 17 SPLIT LOCK ZINC	F81058-1	4
4	BELT, CONTINENTAL AVX 13 x 830 La	T00269	2
5	NUT, M16-8 HEX NYLON ZINC LOCK	F81036-2	4
6	TENSIONER, BLADE DRIVE BELT <a href="#">See Section 5.4</a>	T00522	1
-	<b>BLADE ASSEMBLY, FIXED</b>	<b>T00545</b>	<b>1</b>
7	SHAFT, FIXED BLADE	T00676-1	1
8	SCREW, M8X25 8.8 HEX SOCKET HEAD CAP ZINC	F81002-21	4
9	DISC, BLADE MOUNTING	T00263-1	2
10	BEARING, 6004 2RSR	095625	2
11	WASHER, 8.2 SPLIT LOCK ZINC	F81054-4	4
12	BLADE, CIRCULAR	T00168	1
13	SLEEVE, FIXED BLADE BEARING	T00547-1	1
14	NUT, M16X1.5 H=10 RIGHT	T00677-1	1
15	BUSHING, 20/28-23.5	T00679	1
-	<b>SHAFT, MAIN - COMPLETE</b>	<b>T00542</b>	<b>1</b>
16	RING, W80 INSIDE RETAINING	F81090-25	1
17	BEARING, 6010 2RS	506549	1
18	PULLEY, 2X13X95	T00519-1	1
19	KEY, A10X8X40 PARALLEL	502045	1
20	SCREW, M6X8-33H-GEOMET HEX SOCKET SET W/CONE POINT	F81014-1	2
21	RING, Z50 OUTSIDE RETAINING	F81090-28	1
22	KEY, B10X8X40	T00306	1
23	SCREW, M6X10-45H HEX SOCKET ZINC SET W/FLAT POINT	F81001-26	2
24	HOUSING, BEARING	T00305-1	1
25	BUSHING, SLIDE	T00541-1	1
26	KEY, A8X7X50 PARALLEL	088563	1
27	KEY, A6X6X30	094245	1
28	SHAFT, MAIN	T00303-1	1
29	GUIDE, SAWDUST	T00662-1	1
30	BOLT, M6x16-8.8 CARRIAGE ZINC	F81001-36	2
31	WASHER, 6.4 FLAT ZINC	F81053-1	2
32	NUT, M6-8-B HEX NYLON LOCK ZINC	F81031-2	2

**5.13 Fixed Blade & Main Shaft**

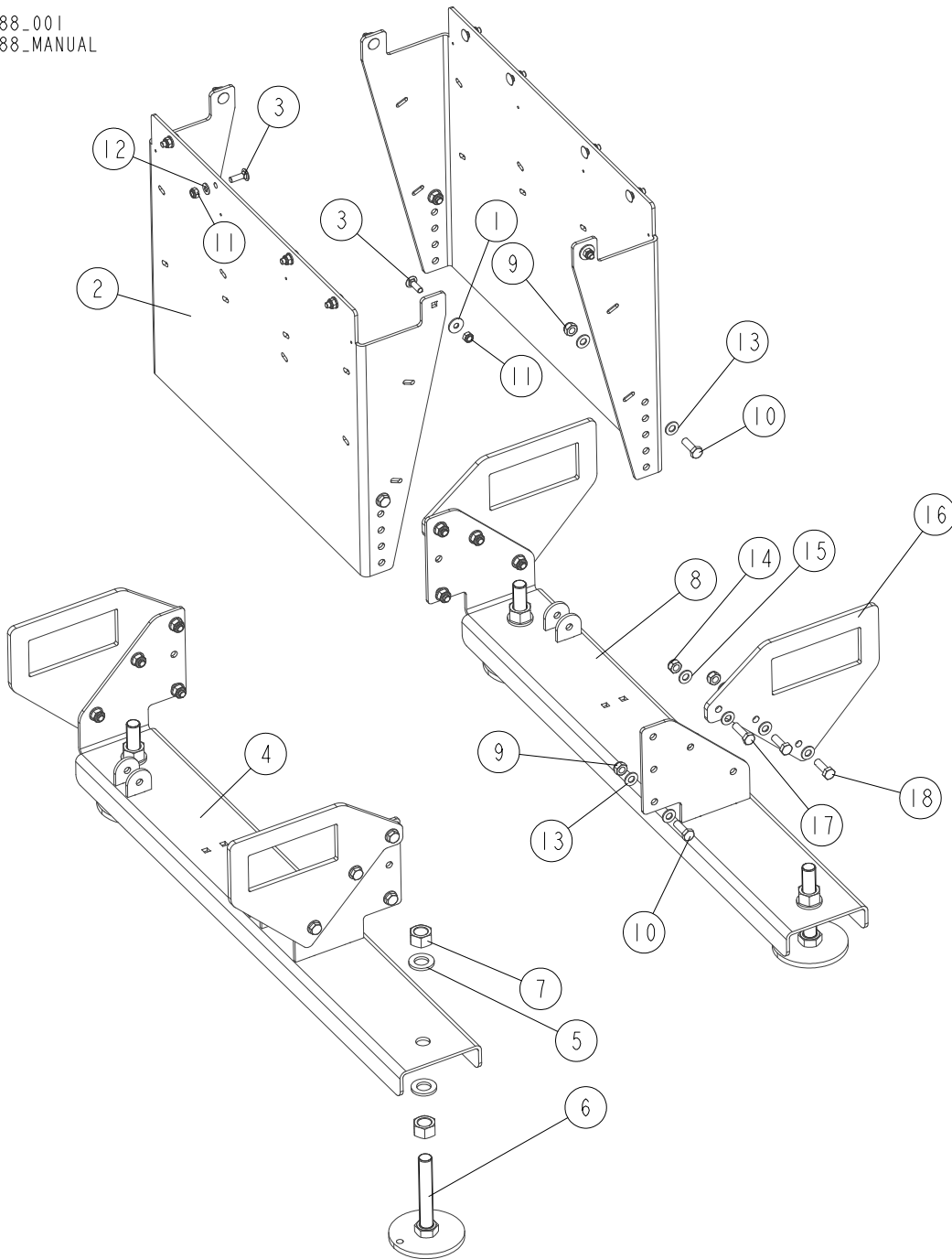


REF.	DESCRIPTION (◆ Indicates Parts Available in Assemblies Only)	PART#	QTY
1	BOLT, M16x40-8.8 HEX HEAD FULL THREAD ZINC	F81006-13	2
2	BEARING, UCFL205 W/HOUSING (COMPLEX)	089124	1
3	WASHER, 17 SPLIT LOCK ZINC	F81058-1	2
4	BELT, CONTINENTAL AVX 13 x 830 La	T00269	2
5	NUT, M16-8 HEX NYLON ZINC LOCK	F81036-2	2
6	TENSIONER, BLADE DRIVE BELT <a href="#">See Section 5.4</a>	T00522	1
-	<b>BLADE ASSEMBLY, FIXED</b>	<b>T00545</b>	<b>1</b>
7	SHAFT, FIXED BLADE	T00676-1	1
8	SCREW, M8X25 8.8 HEX SOCKET HEAD CAP ZINC	F81002-21	4
9	DISC, BLADE MOUNTING	T00263-1	2
10	BEARING, 6004 2RSR	095625	2
11	WASHER, 8.2 SPLIT LOCK ZINC	F81054-4	4
12	BLADE, CIRCULAR	T00168	1
13	SLEEVE, FIXED BLADE BEARING	T00547-1	1
14	NUT, M16X1.5 H=10 RIGHT	T00677-1	1
15	BUSHING, 20/28-23.5	T00679	1
-	<b>SHAFT, MAIN - COMPLETE</b>	<b>T00542</b>	<b>1</b>
16	RING, W80 INSIDE RETAINING	F81090-25	1
17	BEARING, 6010 2RS	506549	1
18	PULLEY, 2X13X95	T00519-1	1
19	KEY, A10X8X40 PARALLEL	502045	1
20	SCREW, M6X8-33H-GEOMET HEX SOCKET SET W/CONE POINT	F81013-1	1
21	RING, Z50 OUTSIDE RETAINING	F81090-28	1
22	KEY, B10X8X40	T00306	1
23	SCREW, M6X10-45H HEX SOCKET ZINC SET W/FLAT POINT	F81001-26	2
24	HOUSING, BEARING	T00305-1	1
25	BUSHING, SLIDE	T00541-1	1
26	KEY, A8X7X50 PARALLEL	088563	1
27	KEY, A6X6X30	094245	1
28	SHAFT, MAIN	T00303-1	1



### 5.14 Main Module Base

T00188\_001  
T00188\_MANUAL



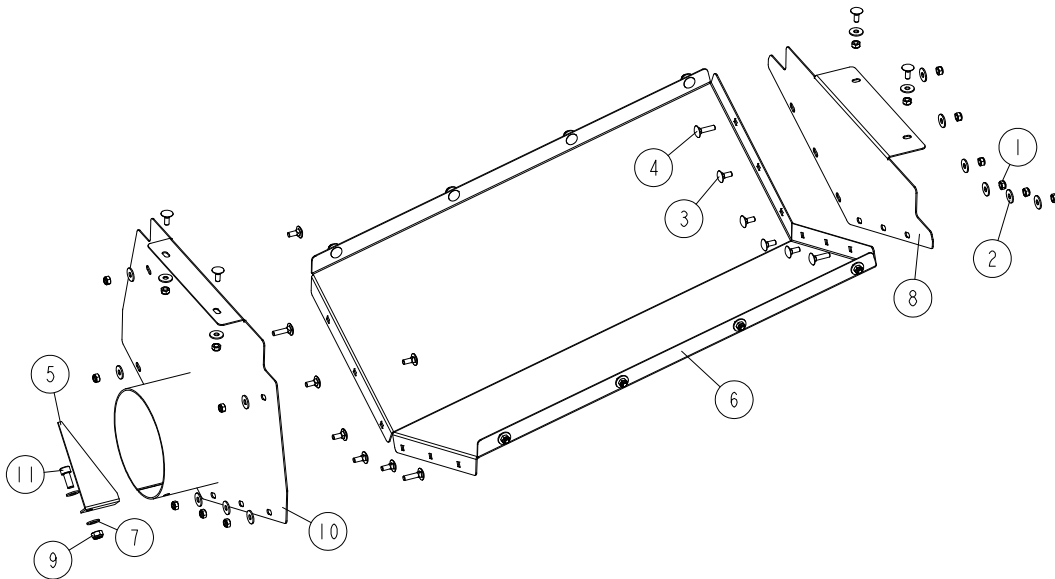
REF.	DESCRIPTION (◆ Indicates Parts Available in Assemblies Only)	PART#	QTY
-	<b>BASE, MAIN MODULE</b>	T00188	1
1	WASHER, ISO 7093-1-8-200 HV-A2E	F81054-11	4
2	PLATE, BASE SIDE	T00197-1	2
3	BOLT, M8x25-8.8 CARRIAGE ZINC	F81002-59	12
4	BRACKET, FOOT LEFT	T00189-1	1
-	FOOT, COMPLETE	T00194	4
5	WASHER, 21 FLAT ZINC	F81059-2	2
6	FOOT WELDMENT	T00195-1	1
7	NUT, M20-8 HEX ZINC	F81037-1	2
8	BRACKET, FOOT RIGHT	T00190-1	1

REF.	DESCRIPTION (◆ Indicates Parts Available in Assemblies Only )	PART#	QTY	
9	NUT, M10-8-B HEX NYLON ZINC LOCK	F81033-1	8	
10	BOLT, M10X30 5.8 HEX HEAD FULL THREAD ZINC	F81003-2	8	
11	NUT, M8 8 HEX NYLON ZINC LOCK	F81032-2	12	
12	WASHER, 8.4 FLAT ZINC	F81054-1	8	
13	WASHER, 10.5 FLAT ZINC	F81055-1	16	
-	TRANSPORT BRACKET KIT	T00643 <sup>1</sup>	1	
14	NUT,M10-8-B NYLON HEX ZINC LOCK	F81033-1	12	
15	WASHER, 10.5 FLAT ZINC	F81055-1	24	
16	BRACKET, TRANSPORT	T00642-1	4	
17	BOLT,M10X35-8.8 HEX HEAD FULL THREAD ZIN	F81003-17	4	
18	BOLT,M10X30-5.8 HEX HEAD FULL THREAD	F81003-2	8	

<sup>1</sup> Option

## 5.15 Sawdust Hopper (Option)

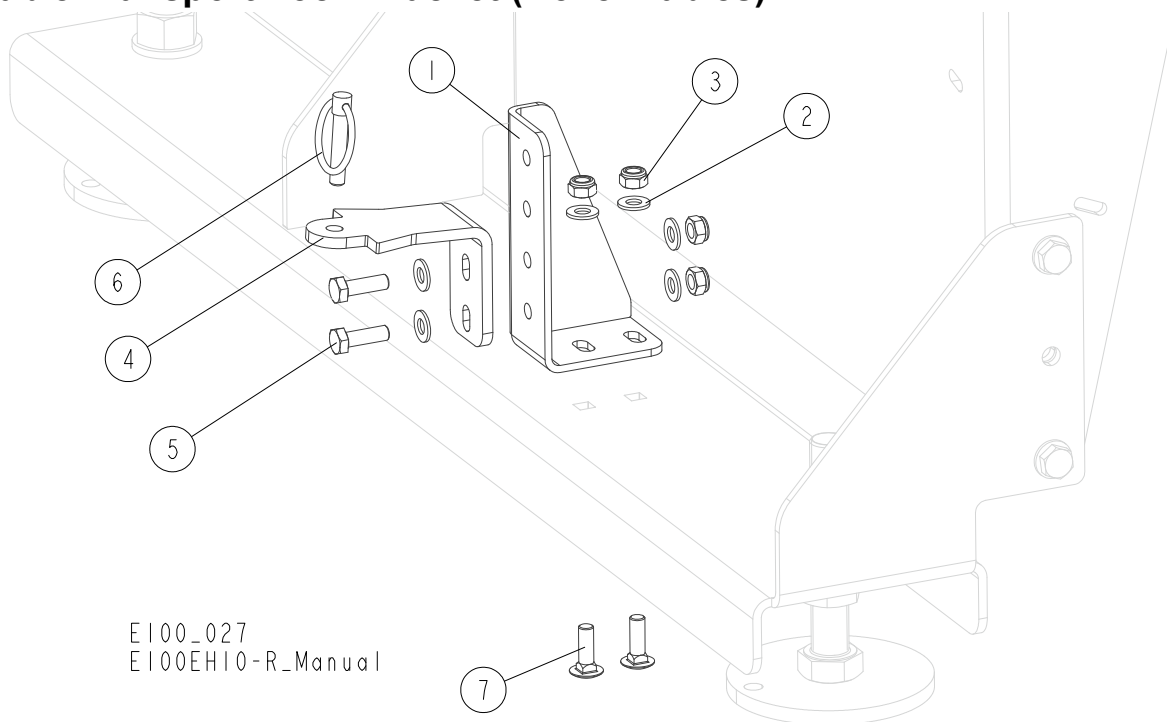
EG100EH7S\_002  
EG100EH7S



REF.	DESCRIPTION (◆ Indicates Parts Available in Assemblies Only)	PART#	QTY
	<b>HOPPER, SAWDUST - COMPLETE</b>	<b>T00121</b>	<b>1</b>
1	NUT, M6-8-B HEX NYLON ZINC LOCK	F81031-2	26
2	PLATE, FRONT	F81053-11	26
3	WASHER, 6.5 SPECIAL FLAT ZINC	F81001-36	22
4	BOLT, M6x25-8.8 CARRIAGE ZINC	F81001-20	4
5	PLATE, CHIP DUCT	T00690-1	1
6	PLATE, BOTTOM	T00122-1	1
7	WASHER, 8.4 FLAT ZINC, WASHER, 8.4 FLAT,ZINC	F81054-1	2
8	PLATE, REAR	T00126-1	1
9	NUT, M8-8-B HEX NYLON ZINC LOCK	F81032-2	1
10	PLATE, FRONT	T00123-1	1
11	SCREW M8X20 SHCS ZC 8.8 DIN 912 ISO 4762	F81002-30	1

**5 Main Module**  
**Table Transport Lock Bracket (Roller Tables)**

**5.16 Table Transport Lock Bracket (Roller Tables)**

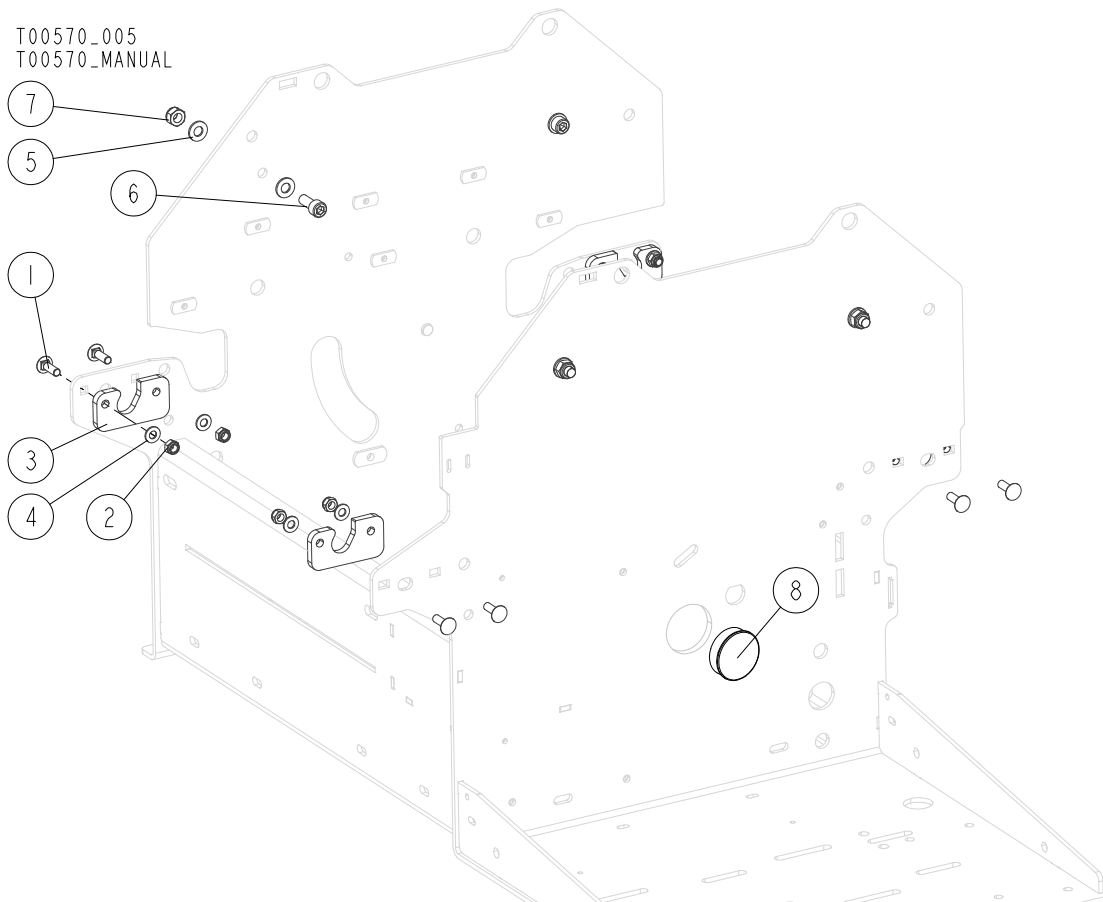


E100\_027  
 E100EH10-R\_Manual

REF.	DESCRIPTION (◆ Indicates Parts Available in Assemblies Only)	PART#	QTY
	<b>BRACKET, TABLE TRANSPORT LOCK</b>	<b>T00219</b>	<b>1</b>
1	MOUNT WELDMENT, TRANSPORT LOCK BRACKET	T00220-1	1
2	WASHER, 8.4 FLAT ZINC	F81054-1	6
3	NUT, M8 8 HEX NYLON ZINC LOCK	F81032-2	4
4	ANGLE, TRANSPORT LOCK BRACKET	T00234-1	1
5	BOLT, M8X25-8.8-B HEX HEAD FULL THREAD ZINC	F81002-5	2
6	PIN, 8 BN914 LINCH (BOSSARD 1364650)	F81046-2	1
7	BOLT, M8X25-8.8 CARRIAGE ZINC	F81002-59	2

## 5.17 Main Module

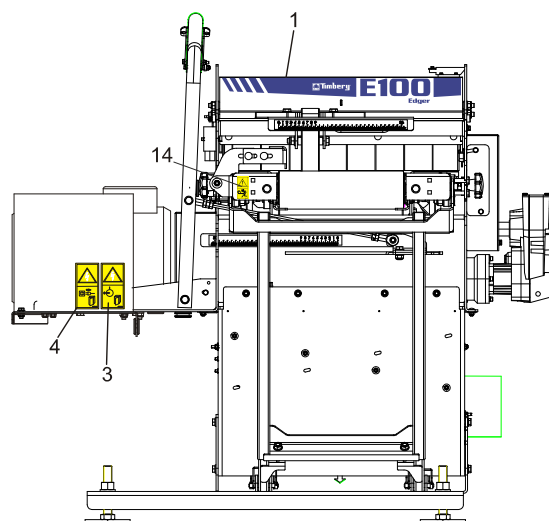
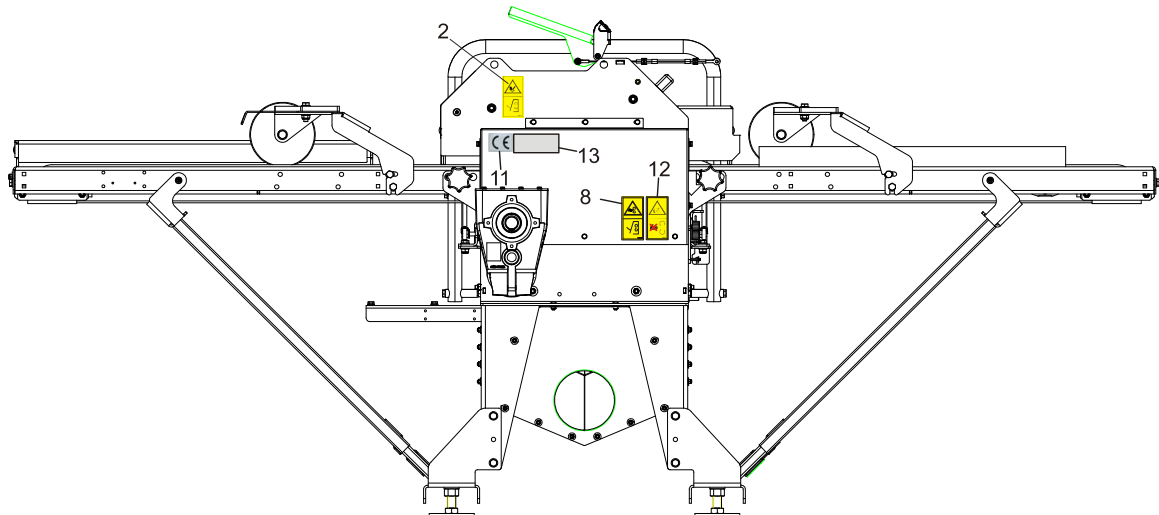
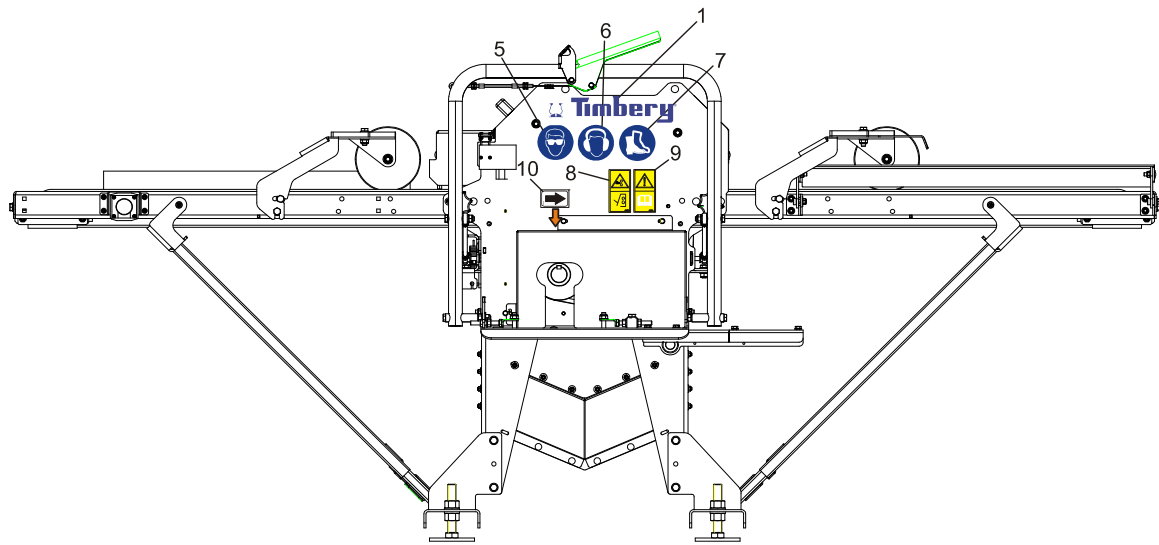
T00570\_005  
T00570\_MANUAL



REF.	DESCRIPTION (◆ Indicates Parts Available in Assemblies Only)	PART#	QTY	
1	BOLT, M8x25-8.8 CARRIAGE ZINC	F81002-59	8	
2	NUT, M8 8 HEX NYLON ZINC LOCK	F81032-2	8	
3	PLATE, TABLE MOUNT	T00502-1	4	
4	WASHER, 8.4 FLAT ZINC	F81054-1	8	
5	WASHER, 10.5 FLAT ZINC	F81055-1	8	
6	SCREW, M10X25 8.8 HEX SOCKET HEAD CAP ZINC	F81003-32	4	
7	NUT, M10-8-B HEX NYLON ZINC LOCK	F81033-1	4	
8	CAP, 44.5 MM NO. 466923 HOLE	500768	1	

**SECTION 6 DECALS**

**6.1 Decals (E100 Edgers w/Electric Motor)**



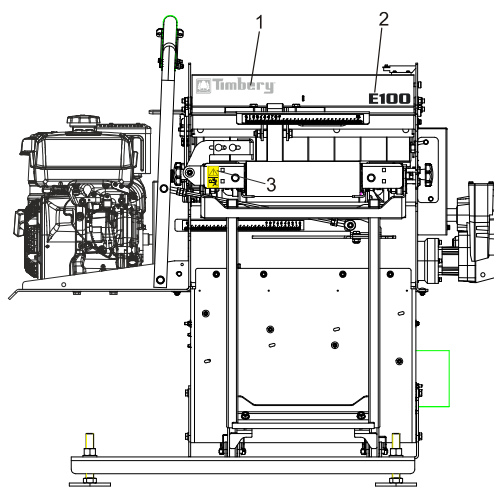
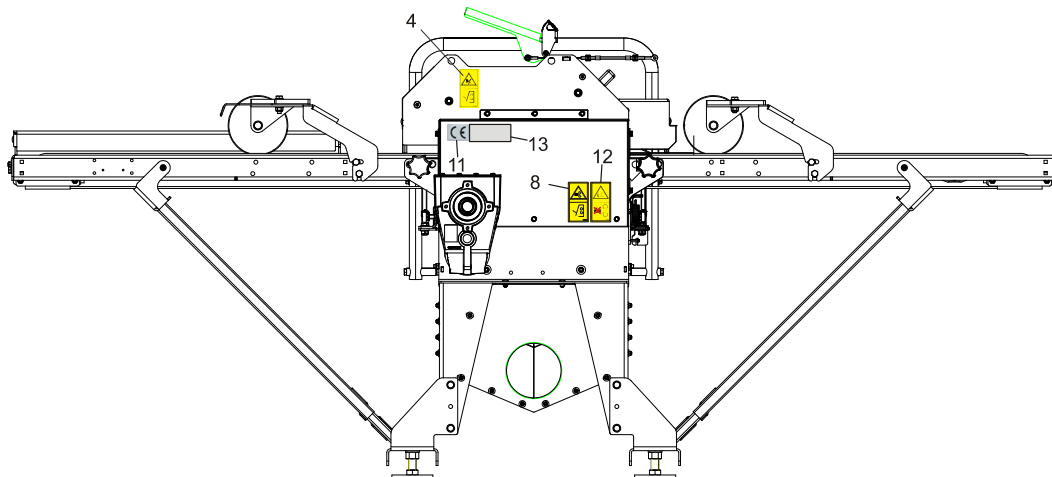
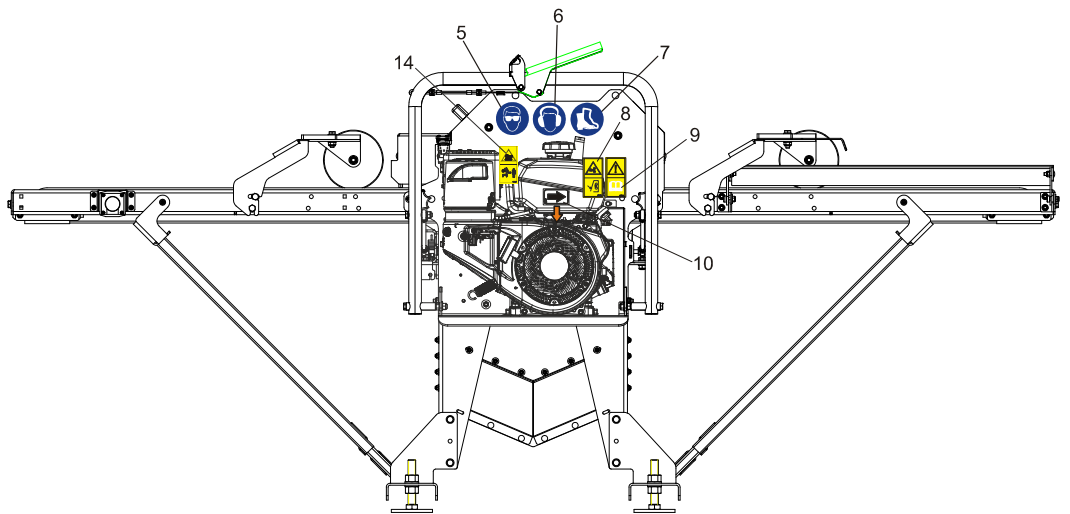
## 6

**DECALS***Decals (E100 Edgers w/Electric Motor)*

REF.	DESCRIPTION (◆ Indicates Parts Available in Assemblies Only)	PART#	QTY	
	DECAL KIT, TIMBERY E100 (EDGERS W/ELECTRIC MOTOR)	T00621		
1	DECAL, TIMBERY LOGO	T00377	1	
2	DECAL, HAND INJURY HAZARD (PICTOGRAM)	524993	1	
3	DECAL, HIGH VOLTAGE INSIDE THE ELECTRIC BOX (PICTOGRAM)	096316	1	
4	DECAL, REMOVE THE PLUG BEFORE OPENING THE BOX (PICTOGRAM)	096319	1	
5	DECAL, EYE PROTECTION WARNING (PICTOGRAM)	S12004G	1	
6	DECAL, EAR PROTECTION WARNING (PICTOGRAM)	S12005G	1	
7	DECAL, USE SAFETY BOOTS (PICTOGRAM)	501465	1	
8	DECAL, CLOSE COVERS BEFORE OPERATING	099220	2	
9	DECAL, READ THE MANUAL BEFORE OPERATING THE MACHINE (PICTOGRAM)	096317	1	
10	DECAL, MOTOR ROTATION DIRECTION	S20097	1	
11	DECAL, CE CERTIFIED MACHINE (SMALL)	P85070	1	
12	DECAL, GEAR WARNING (PICTOGRAM)	099540	1	
13	DECAL, EDGER SERIAL NUMBER	--	1	
14	DECAL, BOARD EJECTION DANGER (PICTOGRAM)	524992	1	



## 6.2 Decals (E100 Edgers w/gas Engine)



REF.	DESCRIPTION (◆ Indicates Parts Available in Assemblies Only)	PART#	QTY
	DECAL KIT, TIMBERLY	T00567	
1	DECAL, TIMBERLY LOGO	T00376	1
2	DECAL, E100	T00377	1

## 6

**DECALS***Decals (E100 Edgers w/gas Engine)*

REF.	DESCRIPTION (◆ Indicates Parts Available in Assemblies Only)	PART#	QTY	
3	DECAL, BOARD EJECTION DANGER (PICTOGRAM)	524992	1	
4	DECAL, HAND INJURY HAZARD (PICTOGRAM)	524993	1	
5	DECAL, EYE PROTECTION WARNING (PICTOGRAM)	S12004G	1	
6	DECAL, EAR PROTECTION WARNING (PICTOGRAM)	S12005G	1	
7	DECAL, USE SAFETY BOOTS (PICTOGRAM)	501465	1	
8	DECAL, CLOSE COVERS BEFORE OPERATING	099220	2	
9	DECAL, READ THE MANUAL BEFORE OPERATING THE MACHINE (PICTOGRAM)	096317	1	
10	DECAL, MOTOR ROTATION DIRECTION	S20097	1	
11	DECAL, CE CERTIFIED MACHINE (SMALL)	P85070	1	
12	DECAL, GEAR WARNING (PICTOGRAM)	099540	1	
13	DECAL, EDGER SERIAL NUMBER	--	1	
14	DECAL, KEEP AWAY - HOT PARTS	086099	1	