

# **Wood-Mizer®**

## **Single Vertical Saw**

### **Parts List**

---

**SVSE11S**  
**SVSE15S**

**rev. A4.01**  
**rev. A4.01**

---



**Safety is our #1 concern!** Read and understand all safety information and instructions before operating, setting up or maintaining this machine.

*February 2008*

*Form #1009*

# Table of Contents

# Section-Page

|                  |  |            |
|------------------|--|------------|
| <b>SECTION 1</b> | <b>GENERAL INFORMATION</b>               | <b>1-1</b> |
| 1.1              | How To Use The Parts List .....          | 1-1        |
| 1.2              | Sample Assembly .....                    | 1-1        |
| <b>SECTION 2</b> | <b>BLADE GUIDES</b>                      | <b>2-1</b> |
| 2.1              | Blade Guide Assembly, Idle Side.....     | 2-1        |
| 2.2              | Blade Guide Assembly, Drive Side.....    | 2-3        |
| <b>SECTION 3</b> | <b>BLADE WHEELS &amp; TENSIONER</b>      | <b>3-1</b> |
| 3.1              | Blade Wheel Assembly, Drive Side .....   | 3-1        |
| 3.2              | Blade Wheel Assembly, Idle Side.....     | 3-2        |
| 3.3              | Blade Tensioner Assembly.....            | 3-3        |
| 3.4              | Hydraulic Blade Pump Assembly .....      | 3-4        |
| <b>SECTION 4</b> | <b>SAW HEAD</b>                          | <b>4-1</b> |
| 4.1              | Middle Throat Screw.....                 | 4-1        |
| 4.2              | Water Bottle Assembly (LMS).....         | 4-2        |
| 4.3              | Saw Head Decals.....                     | 4-4        |
| 4.4              | Blade Housing Cover & Electric Box ..... | 4-5        |
| 4.5              | Hold-Down Roller .....                   | 4-6        |
| 4.6              | Blade Drive Motor.....                   | 4-8        |
| 4.7              | Control Box .....                        | 4-9        |
| 4.8              | Blade Alignment Tool .....               | 4-11       |
| <b>SECTION 5</b> | <b>SVS TABLES</b>                        | <b>5-1</b> |
| 5.1              | Feed Track Assembly .....                | 5-1        |
| 5.2              | Chains .....                             | 5-4        |
| 5.3              | Infeed & Outfeed Table.....              | 5-6        |
| 5.4              | Side Table (Optional) .....              | 5-8        |

## SECTION 1 GENERAL INFORMATION

### 1.1 How To Use The Parts List

- Use the index above to locate the assembly that contains the part you need.
- Go to the appropriate section and locate the part in the illustration.
- Use the number pointing to the part to locate the correct part number and description in the table.
- Parts shown indented under another part are included with that part.
- Parts marked with a diamond (◆) are only available in the assembly listed above the part.

See the sample table below. Sample Part #A01111 includes part F02222-2 and subassembly A03333. Subassembly A03333 includes part S04444-4 and subassembly K05555. The diamond (◆) indicates that S04444-4 is not available except in subassembly A03333. Subassembly K05555 includes parts M06666 and F07777-77. The diamond (◆) indicates M06666 is not available except in subassembly K05555.

| <b>1.2 Sample Assembly</b> |   |           |      |   |
|----------------------------|---|-----------|------|---|
| REF                        | DESCRIPTION (◆ Indicates Parts Available In Assemblies Only)  | PART #    | QTY. |   |
|                            | Sample Assembly, Complete (Includes All Indented Parts Below) | A01111    | 1    |   |
| 1                          | Sample Part   | F02222-22 | 1    |   |
|                            | Sample Subassembly (Includes All Indented Parts Below)        | A03333    | 1    |   |
| 2                          | Sample Part (◆ Indicates Part Is Only Available With A03333)  | S04444-4  | 1    | ◆ |
|                            | Sample Subassembly (Includes All Indented Parts Below)        | K05555    | 1    |   |
| 3                          | Sample Part (◆ Indicates Part Is Only Available With K05555)  | M06666    | 2    | ◆ |
| 4                          | Sample Part   | F07777-77 | 1    |   |

#### **To Order Parts:**

- From Europe call our European Headquarters and Manufacturing Facility in Kolo, Poland at **+48-63-2626000**. From the continental U.S., call our toll-free Parts hotline at **1-800-525-8100**. Have your customer number, vehicle identification number, and part numbers ready when you call. From other international locations, contact the Wood-Mizer distributor in your area for parts.

#### **Office Hours:**

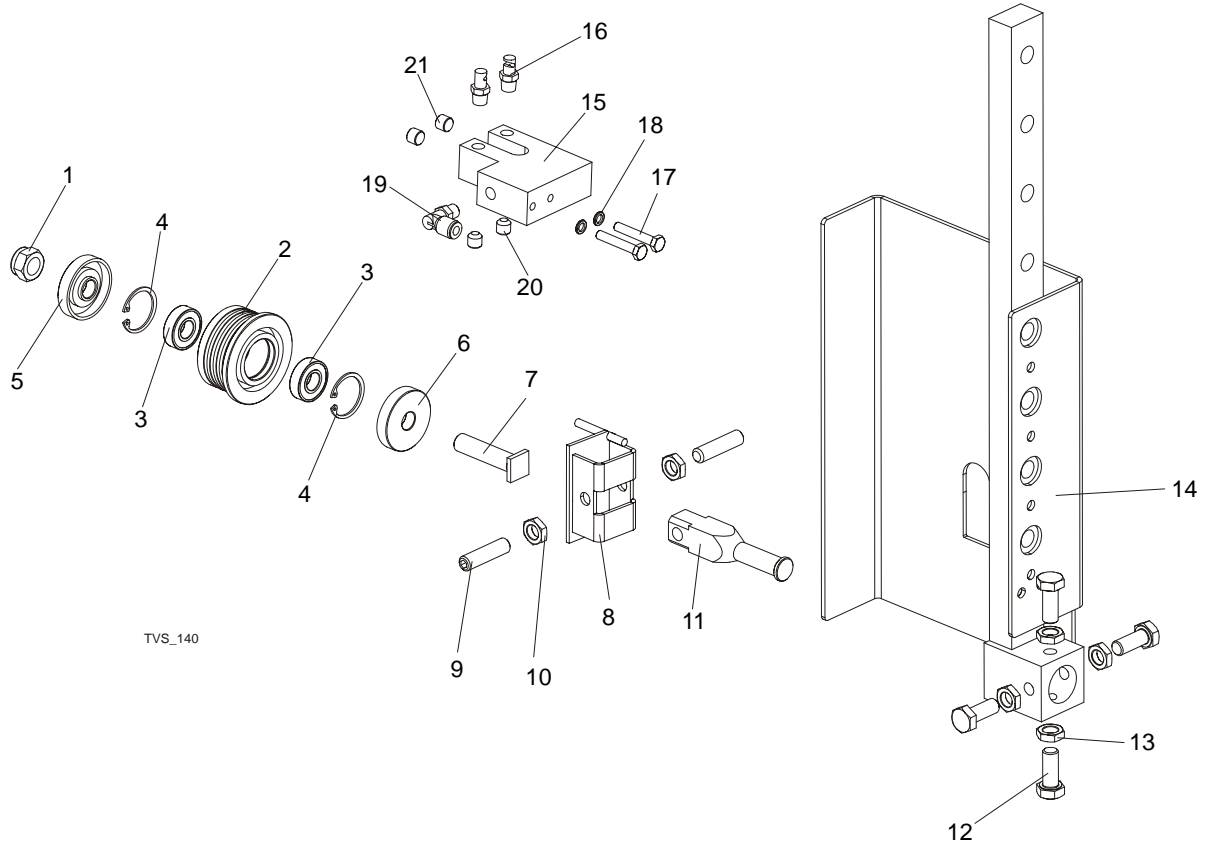
| Country | Monday - Friday | Saturday | Sunday |
|---------|-----------------|----------|--------|
| Poland  | 7-15            | Closed   | Closed |
| US      | 8 a.m.- 5 p.m.  | Closed   | Closed |



**CAUTION!** It is strongly recommended that only original spare parts be used.

**SECTION 2 BLADE GUIDES**

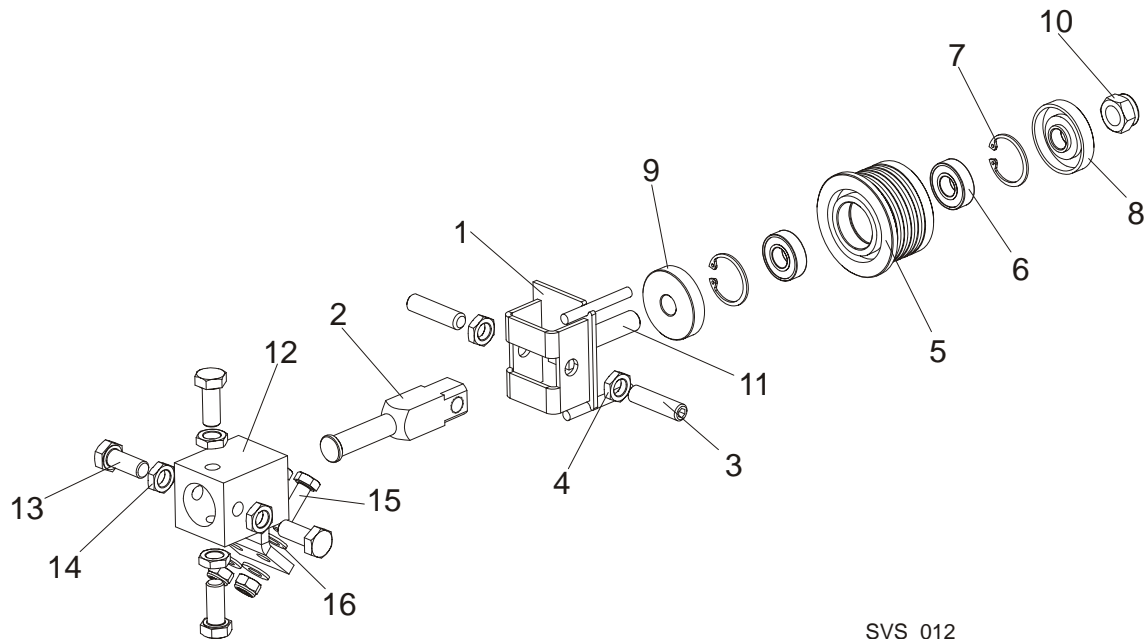
**2.1 Blade Guide Assembly, Idle Side**



TVS\_140

| REF | DESCRIPTION (◆ Indicates Parts Available In Assemblies Only) | PART #    | QTY. |   |
|-----|--|-----------|------|---|
|     | <b>ROLLER, TVS BLADE GUIDE COMPLETE</b>                      | 500562    | 1    |   |
|     | ROLLER, TVS BLADE GUIDE                                      | 500561    | 1    |   |
| 1   | NUT, M12-8 HEX NYLON ZINC LOCK                               | F81034-2  | 1    |   |
| 2   | ROLLER, TVS BLADE GUIDE WIDE                                 | 500560    | 1    | ◆ |
| 3   | BEARING, 6001 2RSR FAG                                       | 087893    | 2    |   |
| 4   | RING, W28 INSIDE RETAINING                                   | F81090-9  | 1    |   |
| 5   | RING, ZINC-PLATED SPACER (FOR EXTEND.ROLL)                   | 087891-1  | 1    |   |
| 6   | RING, ZINC-PLATED SPACER (FOR EXTEND.ROLL)                   | 087892-1  | 1    |   |
| 7   | SHAFT, BLADE GUIDE ROLLER ZINC-PLATED                        | 087762-1  | 1    |   |
| 8   | BRACKET WELDMENT, BLADE GUIDE PAINTED                        | 500563-1  | 1    |   |
| 9   | SCREW, M10X1X40 DIN 913 A2-70 SET STAINLESS STEEL            | F81015-2  | 2    |   |
| 10  | NUT, M10X1-04-ST-A2 ISO 8675 THIN                            | F81033-10 | 2    |   |
| 11  | SHAFT, BLADE GUIDE MOUNT ZINC-PLATED                         | 088255-1  | 1    |   |
| 12  | <b>BOLT, M10x1x25 DIN 933</b>                                | F81003-28 | 4    |   |
| 13  | <b>NUT, M10x1-04-ST-A2 ISO 8675 THIN</b>                     | F81033-10 | 4    |   |

|           |                                      |           |   |  |
|-----------|--------------------------------------|-----------|---|--|
| <b>14</b> | <b>ROLLER GUIDE, TVS RIGHT-PTD</b>   | 096131-1  | 1 |  |
|           | <b>ROLLER GUIDE, TVS LEFT- PTD</b>   | 098608-1  | 1 |  |
|           | <b>LUBE SYSTEM, TVS</b>              | 098583    | 2 |  |
| <b>15</b> | BLOCK, NOZZLE MOUNTING ZINC-PLATED   | 097943-1  | 1 |  |
| <b>16</b> | NOZZLE, BLADE LUBE SPRAY             | 033479    | 2 |  |
| <b>17</b> | BOLT, M6x35 8.8 HEX HEAD ZINC        | F81001-71 | 2 |  |
| <b>18</b> | WASHER, M6 SPLIT LOCK ZINC           | F81053-3  | 2 |  |
| <b>19</b> | Fitting, 1/8MPTx1/4Tube,Elbow,Swivel | P09736    | 1 |  |
| <b>20</b> | Fitting, 1/8 NPT Socket Pipe Plug    | P30127    | 2 |  |
| <b>21</b> | PLUG, M10x1 DIN 906 BN40 "BOSSARD"   | F81015-3  | 2 |  |

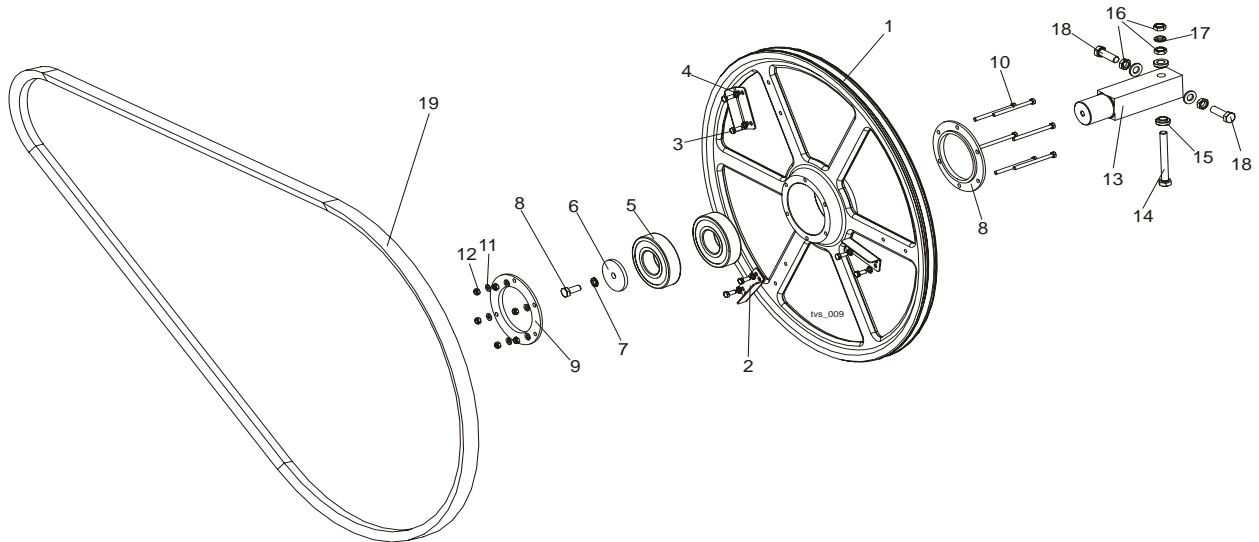
**2.2 Blade Guide Assembly, Drive Side**

SVS\_012

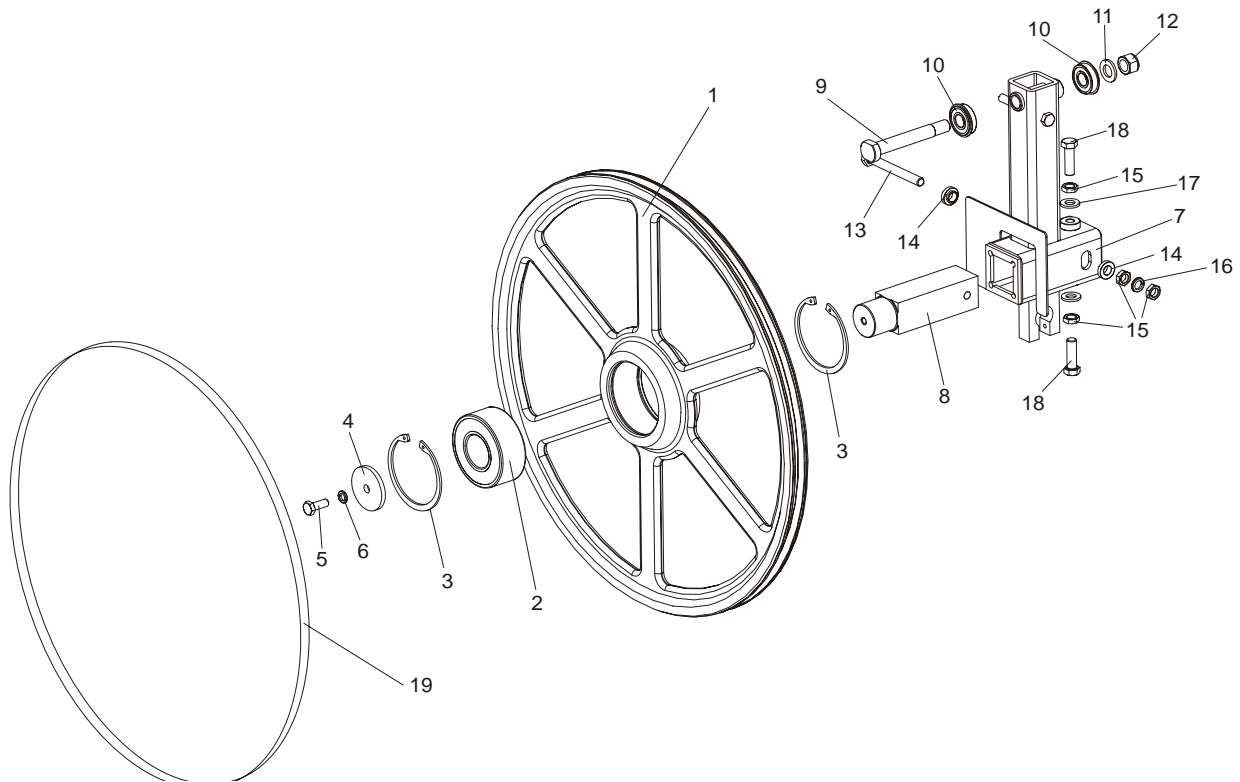
| REF | DESCRIPTION (◆ Indicates Parts Available In Assemblies Only) | PART #    | QTY. |
|-----|--|-----------|------|
|     | <b>ROLLER, TVS BLADE GUIDE COMPLETE</b>                      | 500562    | 1    |
| 1   | BRACKET WELDMENT, BLADE GUIDE PAINTED                        | 500563-1  | 1    |
| 2   | SHAFT, BLADE GUIDE MOUNT ZINC-PLATED                         | 088255-1  | 1    |
| 3   | SCREW, M10X1X40 DIN913 STAINLESS STEEL SET                   | F81015-2  | 2    |
| 4   | NUT, M10X1-04-ST-A2 ISO 8675 THIN                            | F81033-10 | 2    |
|     | <b>ROLLER, TVS BLADE GUIDE</b>                               | 500561    | 1    |
| 5   | ROLLER, TVS BLADE GUIDE WIDE                                 | 500560    | 1    |
| 6   | BEARING, 6001 2RSR FAG                                       | 087893    | 2    |
| 7   | RING, W28 INSIDE RETAINING                                   | F81090-9  | 1    |
| 8   | RING, ZINC-PLATED SPACER (FOR EXTEND.ROLL)                   | 087891-1  | 1    |
| 9   | RING, ZINC-PLATED SPACER (FOR EXTEND.ROLL)                   | 087892-1  | 1    |
| 10  | NUT, M12-8 HEX NYLON ZINC LOCK                               | F81034-2  | 1    |
| 11  | SHAFT, EXTENDED ROLLER ZINC-PLATED                           | 087762-1  | 1    |
| 12  | <b>BLOCK WELDMENT, BLADE GUIDE MOUNT PTD</b>                 | 088292-1  | 3    |
| 13  | <b>BOLT, M10X1X25 DIN 933 STAINLESS STEEL</b>                | F81003-28 | 1    |
| 14  | <b>NUT, M10x1-04-ST-A2 ISO 8675 THIN</b>                     | F81033-10 | 4    |
| 15  | <b>BOLT, M8x20-8.8-B HEX HEAD FULL THREAD ZINC</b>           | F81002-4  | 2    |
| 16  | <b>WASHER, 8.2 SPLIT LOCK ZINC</b>                           | F81054-4  | 2    |

**SECTION 3 BLADE WHEELS & TENSIONER**

**3.1 Blade Wheel Assembly, Drive Side**



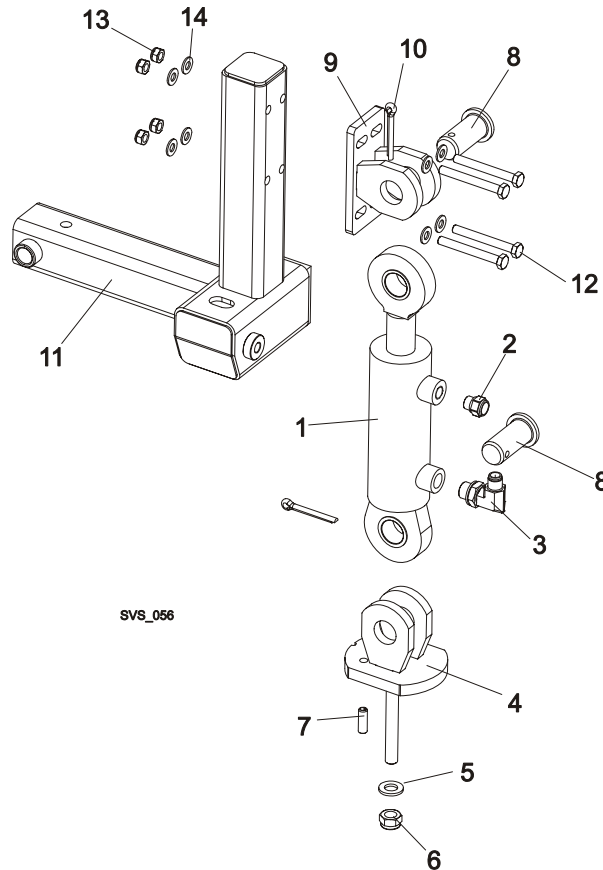
| REF | DESCRIPTION (◆ Indicates Parts Available In Assemblies Only) | PART #    | QTY. |
|-----|--|-----------|------|
|     | <b>DRIVE SIDE BLADE WHEEL - COMPLETE</b>                     | 096109    | 1    |
| 1   | Wheel, Drive Side Blade                                      | 096105-1  | 1    |
| 2   | Wing, Sawdust Blow-Off                                       | 096363-1  | 3    |
| 3   | Bolt, M6x16 8.8 Hex Head Full Thread Zinc                    | F81001-15 | 6    |
| 4   | Washer, Z 6.1 Split Lock Zinc                                | F81053-3  | 6    |
| 5   | Bearing, 6309 2RSR   | 096107    | 2    |
| 6   | Washer, Idle Side Wheel Retaining Zinc-plated                | 088957-1  | 1    |
| 7   | Washer, 10.2 Split Lock Zinc                                 | F81055-2  | 1    |
| 8   | Bolt, M10x25 8.8 Hex Head Full Thread                        | F81003-31 | 1    |
| 9   | Ring, Bearing Mounting                                       | 096108-1  | 2    |
| 10  | Bolt, M6x80 5.8 Hex Head Full Thread Zinc                    | F81001-61 | 6    |
| 11  | Washer, 6.4 Flat Zinc  | F81053-1  | 6    |
| 12  | Nut, M6-8-B Hex Nylon Zinc Lock                              | F81031-2  | 6    |
| 13  | <b>SHAFT, DRIVE SIDE BLADE WHEEL</b>                         | 096110    | 1    |
| 14  | <b>BOLT, M12X1,25X100-8,8 HEX HEAD FULL THREAD ZINC</b>      | F81004-41 | 1    |
| 15  | <b>WASHER, FLANGED ZINC-PLATED</b>                           | 086769-1  | 2    |
| 16  | <b>NUT, M12X1.25 8.8 THIN ZINC</b>                           | F81034-5  | 3    |
| 17  | <b>WASHER, Z12.2 SPLIT LOCK ZINC</b>                         | F81056-2  | 1    |
| 18  | <b>BOLT, M12x1.25x40-8.8 HEX HEAD ZINC</b>                   | F81004-42 | 2    |
| 19  | <b>V-BELT, 5VX1080</b>                                       | 033391    | 1    |

**3.2 Blade Wheel Assembly, Idle Side**

| REF | DESCRIPTION (◆ Indicates Parts Available In Assemblies Only) | PART #    | QTY. |
|-----|--|-----------|------|
|     | <b>IDLE SIDE BLADE WHEEL - COMPLETE</b>                      | 088764    | 1    |
| 1   | Wheel, Idle Side Blade Ptd                                   | 090810-1  | 1    |
| 2   | Bearing, N/T 3309B.2RSR.TVH FAG                              | 086428    | 1    |
| 3   | Ring, W100 Inside Retaining                                  | F81090-10 | 2    |
| 4   | <b>WASHER, IDLE SIDE WHEEL RETAINING ZINC-PLATED</b>         | 088957-1  | 1    |
| 5   | <b>BOLT, M10X25 8.8 HEX HEAD FULL THREAD</b>                 | F81003-31 | 1    |
| 6   | <b>WASHER, 10.2 SPLIT LOCK ZINC</b>                          | F81055-2  | 1    |
| 7   | <b>ARM WELDMENT, RESAW&amp;TVS IDLE SIDE WHEEL</b>           | 098606-1  | 1    |
| 8   | <b>SHAFT, IDLE SIDE BLADE WHEEL</b>                          | 088474    | 1    |
| 9   | <b>BOLT, ARM BEARING MOUNT</b>                               | 086404    | 1    |
| 10  | <b>BEARING, 6203- DDUNR NSK W/SNAP RING</b>                  | 086395    | 2    |
| 11  | <b>WASHER, 17 FLAT ZINC</b>                                  | F81058-1  | 1    |
| 12  | <b>NUT, M16-8 HEX NYLON ZINC LOCK</b>                        | F81036-2  | 1    |
| 13  | <b>BOLT, M12x1.25x100-8.8 HEX HEAD FULL THREAD ZINC</b>      | F81004-41 | 1    |
| 14  | <b>WASHER, FLANGED ZINC-PLATED</b>                           | 086769-1  | 2    |
| 15  | <b>NUT, M12X1.25 8.8 THIN ZINC</b>                           | F81034-5  | 4    |
| 16  | <b>WASHER, Z12.2 SPLIT LOCK ZINC</b>                         | F81056-2  | 1    |
| 17  | <b>WASHER, 13 FLAT ZINC</b>                                  | F81056-1  | 2    |
| 18  | <b>BOLT, M12x1.25x40-8.8 HEX HEAD ZINC</b>                   | F81004-42 | 2    |
| 19  | <b>V-BELT, B72.5</b>   | 017922    | 1    |

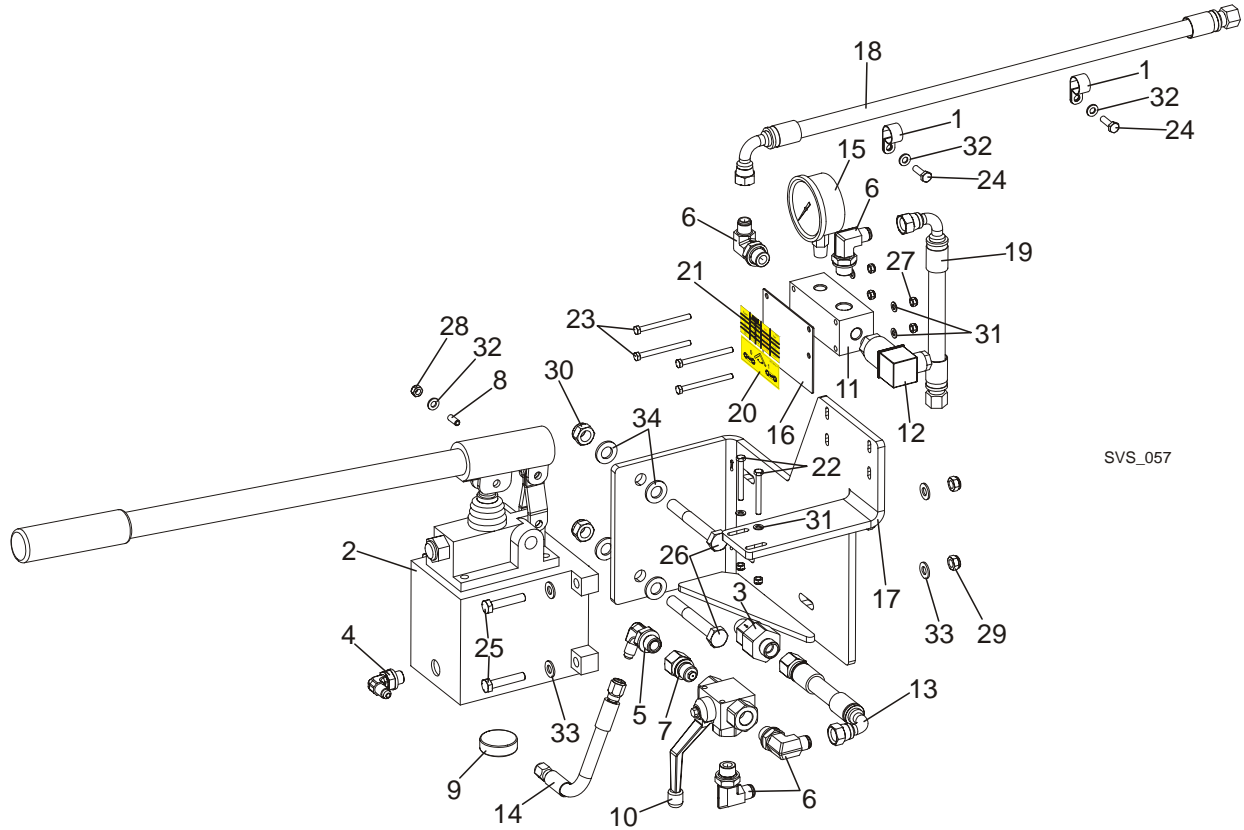


**3.3 Blade Tensioner Assembly**



| REF | DESCRIPTION (◆ Indicates Parts Available In Assemblies Only) | PART#     | QTY. |
|-----|--|-----------|------|
|     | <b>HYDRAULIC BLADE TENSIONER, RIGHT SIDE</b>                 | 504826    | 1    |
| 1   | HYDRAULIC CYLINDER SJ2F-16-50/28/70                          | 504812    | 1    |
| 2   | BREATHER TYP 2901-14-17                                      | 090794    | 1    |
| 3   | FITTING 3/8" BSP-9/16" JIC, ELBOW                            | 096335    | 1    |
| 4   | MOUNTING BRACKER, HYDRAULIC CYLINDER, LOWER                  | 504822-1  | 1    |
| 5   | WASHER, M12 , FLAT, ZINC                                     | F81056-1  | 1    |
| 6   | NUT,M12-8 ,HEX,NYLON,ZINC,LOCK                               | F81034-2  | 1    |
| 7   | PIN, 8X26 FE/ZN5, ROLL                                       | F81046-4  | 1    |
| 8   | PIN, ZINK PLATED   | 504824-1  | 4    |
| 9   | MOUNTING BRACKER, HYDRAULIC CYLINDER, UPPER                  | 504819-1  | 2    |
| 10  | PIN S-ZN 6,3X45, COTTER                                      | F81045-2  | 4    |
| 11  | ARM WELDMENT, TVS IDLE RIGHT SIDE BLADE WHEEL                | 504817-1  | 1    |
| 12  | BOLT M8X70 8.8 FE/ZN5  | F81002-71 | 8    |
| 13  | NUT,M8-8-B,HEX,NYLON LOCK ZINC                               | F81032-2  | 8    |
| 14  | WASHER, 8.4 FLAT,ZINC  | F81054-1  | 16   |

**3.4 Hydraulic Blade Pump Assembly**



SVS\_057

| REF | DESCRIPTION (◆ Indicates Parts Available In Assemblies Only) | PART#    | QTY. |
|-----|--|----------|------|
|     | <b>SUPPLY ASSEMBLY, SVS HYDRAULIC BLADE TENSIONER</b>        | 505306   | 1    |
| 1   | CLAMP, 5/8 EMT COATED  | 010748   | 2    |
| 2   | PUMP, PMS12/TNK1 MANUAL W/TANK 1I                            | 092789   | 1    |
| 3   | VALVE, RHV12LREDA3C CHECK                                    | 094559   | 1    |
| 4   | FITTING, CA-204410-3 ELBOW                                   | 094562   | 1    |
| 5   | FITTING, CA-204411-3 ELBOW                                   | 094563   | 1    |
| 6   | FITTING, 3/8" BSP-9/16" JIC ELBOW                            | 096335   | 4    |
| 7   | FITTING, G 3/8 SPECIAL                                       | 096849   | 1    |
| 8   | STUD, GN615.3-M6-K BALL                                      | 096874   | 1    |
| 9   | MAGNET, MW.38x12/N38 NEODYMIUM                               | 500022   | 1    |
| 10  | VALVE, RSAP3 VOL2L G3/8" RELEASE                             | 504803   | 1    |
| 11  | BLOCK, MOUNT ZINC  | 504829-1 | 1    |
| 12  | SWITCH, F4-T-I-M3-16 bar PRESSURE                            | 504830   | 1    |
| 13  | HOSE, 3/8" 9/16 ;M18X1,5 HYDRAULIC                           | 504831   | 1    |
| 14  | HOSE, 1/4"(0,19M) HYDRAULIC                                  | 505174   | 1    |
| 15  | GAUGE, 3000psi HYDRAULIC                                     | 505176   | 1    |
| 16  | PLATE, ZINC  | 505310-1 | 1    |
| 17  | PLATE, MOUNT   | 505337-1 | 1    |
| 18  | HOSE, 3/8" (0,80 M) HYDRAULIC                                | 505338   | 1    |

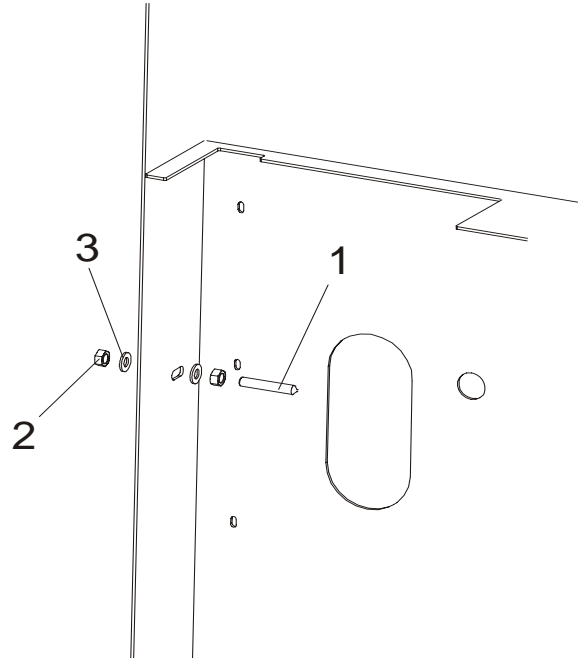
**BLADE WHEELS & TENSIONER***Hydraulic Blade Pump Assembly***3**

|    |   |           |   |  |
|----|---|-----------|---|--|
| 19 | HOSE, 3/8" DKJ 9/16 HYDRAULIC               | 505344    | 1 |  |
| 20 | DECAL, SVS HYDRAULIC RELEASE VALVE POSITION | 505347    | 1 |  |
| 21 | DECAL, PRESSURE ADJUSTMENT TABLE            | 505348    | 1 |  |
| 22 | BOLT, M5X45 DIN933 A2-70 STAINLESS STEEL    | F81000-22 | 2 |  |
| 23 | BOLT, M5X60 DIN933 A2-70 STAINLESS STEEL    | F81000-36 | 4 |  |
| 24 | BOLT, M6X20MM, HH, FULL THREAD, ZINC        | F81001-2  | 2 |  |
| 25 | BOLT, 8MM X 1.25 X 40MM HH ZINC             | F81002-15 | 4 |  |
| 26 | BOLT, M12X90-8.8 HEX HEAD ZINC              | F81004-2  | 2 |  |
| 27 | NUT, M5-8-Fe/Zn5 DIN985                     | F81030-2  | 6 |  |
| 28 | NUT, M6-8-B HEX NYLON ZINC LOCK             | F81031-2  | 1 |  |
| 29 | NUT, M8-8-B HEX NYLON ZINC LOCK             | F81032-2  | 4 |  |
| 30 | NUT, M12-8 HEX NYLON ZINC LOCK              | F81034-2  | 2 |  |
| 31 | WASHER, 5.3 FLAT ZINC                       | F81052-1  | 6 |  |
| 32 | WASHER, 6.4 FLAT ZINC                       | F81053-1  | 3 |  |
| 33 | WASHER, 8.4 FLAT ZINC                       | F81054-1  | 8 |  |
| 34 | WASHER, 13 FLAT ZINC                        | F81056-1  | 4 |  |

**4** **SAW HEAD**  
*Middle Throat Screw*

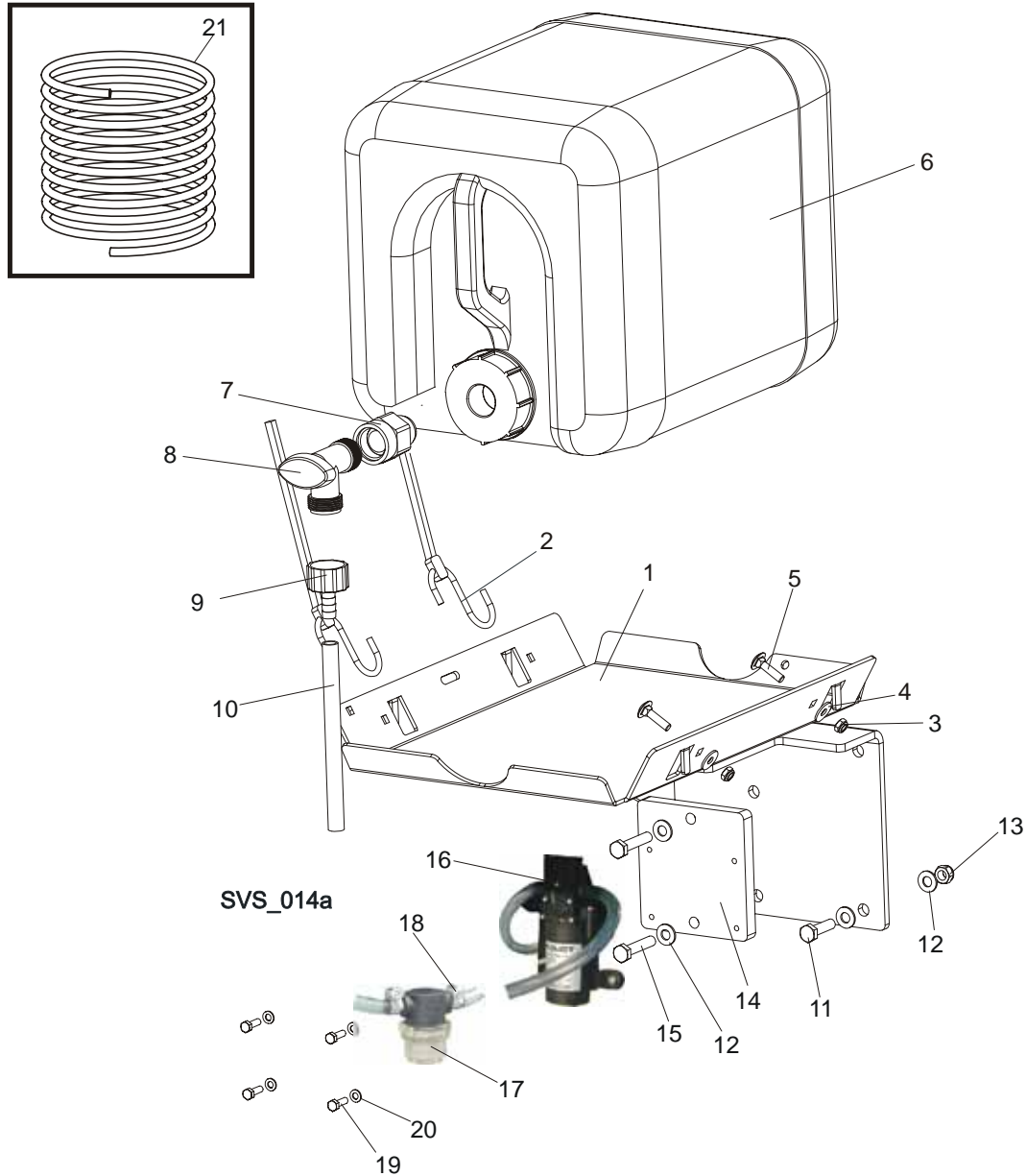
**SECTION 4 SAW HEAD**

**4.1 Middle Throat Screw**



| REF | DESCRIPTION (◆ Indicates Parts Available in Assemblies Only) | PART #    | QTY. |  |
|-----|--|-----------|------|--|
| 1   | ◆ SCREW, M10X60-45H HEX SOCKET SET CONE POINT ZINC           | F81003-87 | 1    |  |
| 2   | NUT, M10-8-B HEX ZINC  | F81033-3  | 2    |  |
| 3   | WASHER, 10.5 FLAT ZINC                                       | F81055-1  | 2    |  |

## 4.2 Water Bottle Assembly (LMS)



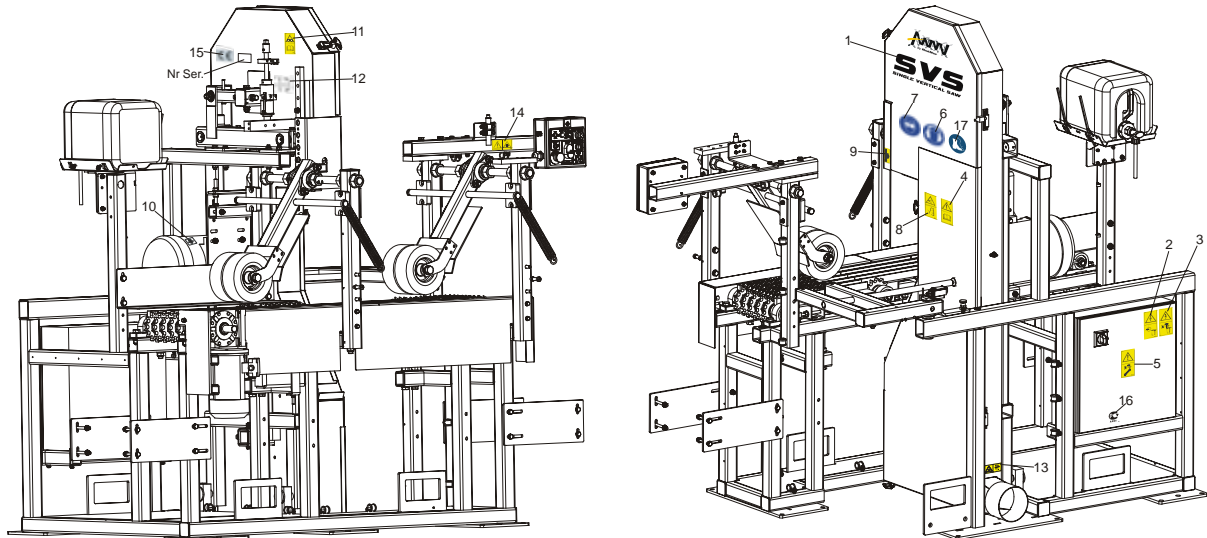
| REF | DESCRIPTION (◆ Indicates Parts Available in Assemblies Only) | PART #    | QTY. |  |
|-----|--|-----------|------|--|
|     | <b>WATER LUBE BOTTLE ASSEMBLY</b>                            | 091036    | 1    |  |
| 1   | TRAY WELDMENT, WATER BOTTLE PTD                              | 091033-1  | 1    |  |
| 2   | STRAP, 20" RUBBER W/HOOK                                     | P11668    | 2    |  |
| 3   | NUT, M6-8-B HEX NYLON ZINC LOCK                              | F81031-2  | 2    |  |
| 4   | WASHER, 6.5 SPECIAL FLAT ZINC                                | F81053-11 | 2    |  |
| 5   | BOLT, M6x25-8.8 CARRIAGE HEAD ZINC                           | F81001-20 | 2    |  |
| 6   | Bottle, 5-Gallon Water                                       | 014637    | 1    |  |
| 7   | FITTING, 3/4FPT X 3/4MPT                                     | 014636    | 1    |  |
| 8   | VALVE, 3/4 NPT ELBOW 3/4 MALE OUTLET PCV                     | 014100    | 1    |  |

## 4

**SAW HEAD***Water Bottle Assembly (LMS)*

|    |  |           |       |  |
|----|--|-----------|-------|--|
| 9  | REDUCER, 5/8 NPT / 3/8 BARB WATER LUBE           | 014113    | 1     |  |
| 10 | TUBING, WATER LUBE                               | R01885    | 2.1 m |  |
| 11 | BOLT, M8x20-8.8-B HEX HEAD FULL THREAD ZINC      | F81002-4  | 4     |  |
| 12 | WASHER, 8.4 FLAT ZINC                            | F81054-1  | 8     |  |
| 13 | NUT, M8-8-B HEX NYLON ZINC LOCK                  | F81032-2  | 4     |  |
| 14 | BRACKET, LMS PUMP MOUNT ZINC-PLATED              | 098762-1  | 1     |  |
| 15 | BOLT, M8x40-8.8 HEX HEAD FULL THREAD ZINC        | F81002-15 | 2     |  |
| 16 | <b>PUMP ASSEMBLY, 12VDC PRESSURE LUBE</b>        | 033492    | 1     |  |
|    | KIT, PUMP HEAD                                   | 033442    | 1     |  |
|    | KIT, MOTOR 12V LUBE PUMP                         | 033443    | 1     |  |
| 17 | <b>FILTER, 3/8 BARB LUBE</b>                     | 033447    | 1     |  |
|    | KIT, 80 MESH FILTER SCREEN                       | 033441    | 1     |  |
| 18 | <b>CLAMP, 8-12 MM DIA. HOSE</b>                  | F81080-1  | 2     |  |
| 19 | <b>BOLT, M5x16-5.8 HEX HEAD FULL THREAD ZINC</b> | F81000-51 | 4     |  |
| 20 | <b>WASHER, 5.3 FLAT ZINC</b>                     | F81052-1  | 4     |  |
| 21 | <b>HOSE, 1/4 OD 102.0 LG</b>                     | 033456    | 1     |  |

### 4.3 Saw Head Decals



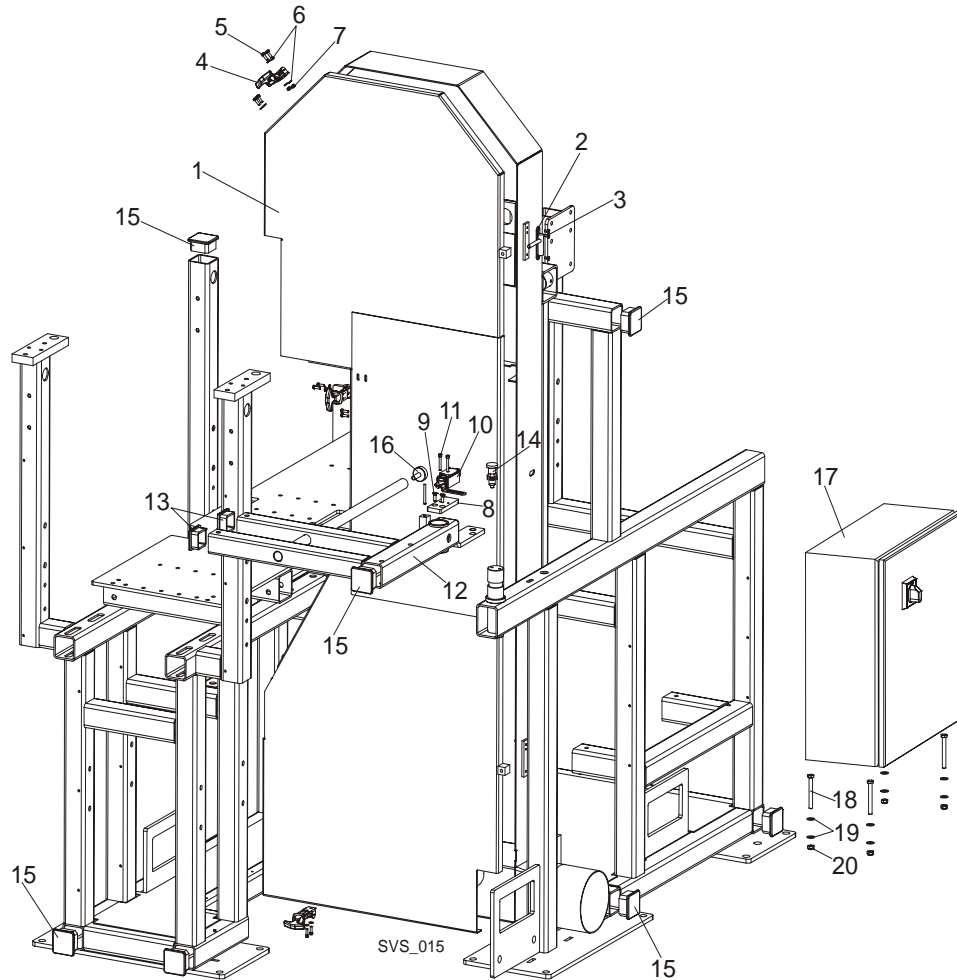
| REF | DESCRIPTION (◆ Indicates Parts Available in Assemblies Only) | PART #  | QTY. |
|-----|--|---------|------|
|     | <b>SVS PICTOGRAPHIC DECAL KIT</b>                            | 100123  | 1    |
| 1   | DECAL KIT, SVS MACHINE NAME                                  | 099584  | 1    |
| 2   | DECAL, HIGH VOLTAGE INSIDE THE ELECTRIC BOX                  | 096316  | 1    |
| 3   | DECAL, REMOVE THE PLUG BEFORE OPENING THE BOX                | 096319  | 1    |
| 4   | DECAL, READ THE OPERATOR'S MANUAL                            | 096317  | 1    |
| 5   | DECAL, DISCONNECT POWER SUPPLY BEFORE SERVICING              | 098177  | 1    |
| 6   | DECAL, EAR WARNING   | S12005G | 1    |
| 7   | DECAL, EYE WARNING   | S12004G | 1    |
| 8   | DECAL, SAWMILL COVERS CAUTION                                | 099220  | 1    |
| 9   | DECAL, BLADE MOVEMENT DIRECTION                              | 096321  | 1    |
| 10  | DECAL, MOTOR ROTATION DIRECTION                              | S20097  | 1    |
| 11  | DECAL, BLADE TENSION - INSTRUCTIONS                          | 099223  | 1    |
| 12  | DECAL, BLADE ALIGNMENT                                       | P11789  | 1    |
| 13  | DECAL, SAWDUST CHUTE WARNING                                 | 099222  | 1    |
| 14  | DECAL, CAUTION - LASER BEAM                                  | 099504  | 1    |
|     | DECALS FOR TABLES, <a href="#">Patrz rozdzia³ 5.1</a>        |         |      |
| 15  | <b>DECAL, CE CERTIFIED SAWMILL (SMALL)</b>                   | P85070  | 1    |
| 16  | <b>DECAL, RUSSIAN SAFETY CERTIFICATION</b>                   | 099401  | 1    |
| 17  | <b>DECAL, USE SAFETY BOOTS (PICTOGRAM)</b>                   | 501465  | 1    |

# 4

## SAW HEAD

### Blade Housing Cover & Electric Box

#### 4.4 Blade Housing Cover & Electric Box

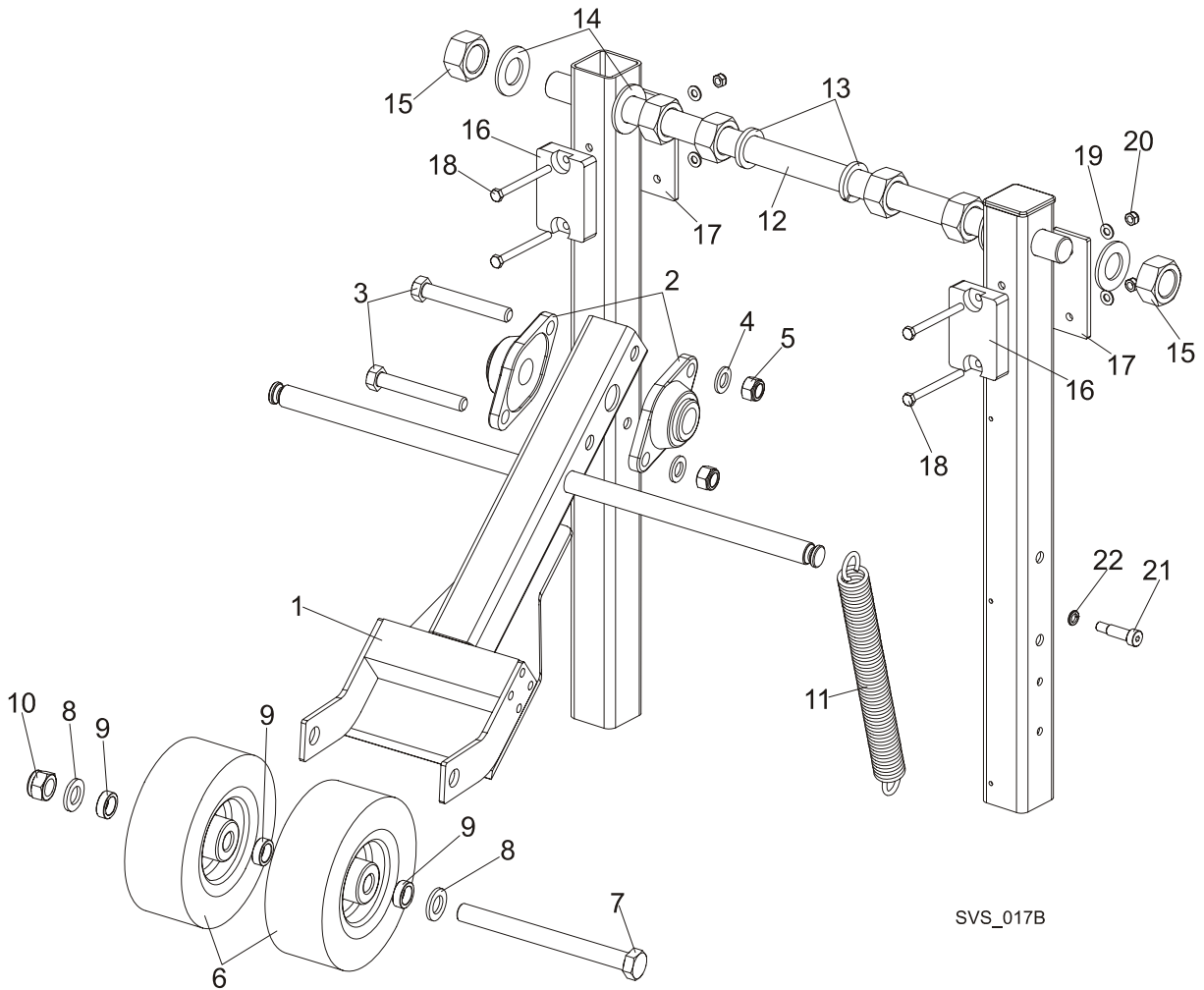


| REF | DESCRIPTION (◆ Indicates Parts Available In Assemblies Only) | PART #    | QTY. |
|-----|--|-----------|------|
| 1   | COVER WELDMENT, BLADE HOUSING PTD (RIGHT)                    | 096117-1  | 1    |
| 2   | HINGE, COVER   | 096146    | 2    |
| 3   | SCREW, M5x12- 5.8-B SLOTTED COUNTERSUNK ZINC                 | F81000-15 | 4    |
| 4   | LATCH, FLEXIBLE DRAW   | 014829    | 3    |
| 5   | BOLT, M5x16-5.8 HEX HEAD FULL THREAD ZINC                    | F81000-51 | 6    |
| 6   | WASHER, 5.3 FLAT ZINC  | F81052-1  | 12   |
| 7   | NUT, M5-8 DIN 985 ZINC-PLATED                                | F81030-2  | 6    |
| 8   | BAR, SAFETY SWITCH ZINC-PLATED MOUNTING                      | 098760-1  | 1    |
| 9   | SCREW, M6x20-4.8-B SLOTTED COUNTERSUNK ZINC                  | F81001-31 | 2    |
| 10  | SWITCH, GSCA 01S1 SAFETY                                     | 088407    | 1    |
| 11  | SCREW, M5X35 8.8 HEX SOCKET HEAD CAP ZINC                    | F81000-73 | 2    |
| 12  | ARM WELDMENT, CONTROL BOX PTD MOUNTING (RIGHT)               | 096370-1  | 1    |
| 13  | CAP, 50x50 (3-5 MM THICK) SHR TUBE END                       | 095371    | 2    |
| 14  | PIN, DETENT  | 090197    | 1    |
| 15  | CAP, X MOSS -199211 SQUARE TUBE END                          | 098757    | 8    |
| 16  | FOOT, M10 BASE ADJUST  | 092839    | 1    |



|    |                                 |           |   |  |
|----|---------------------------------|-----------|---|--|
| 17 | BOX, SVS ELECTRIC               | 098071    | 1 |  |
| 18 | BOLT, M8X75 8.8 HEX HEAD ZINC   | F81002-91 | 4 |  |
| 19 | WASHER, 8.4 FLAT ZINC           | F81054-1  | 8 |  |
| 20 | NUT, M8-8-B HEX NYLON ZINC LOCK | F81032-2  | 4 |  |

## 4.5 Hold-Down Roller



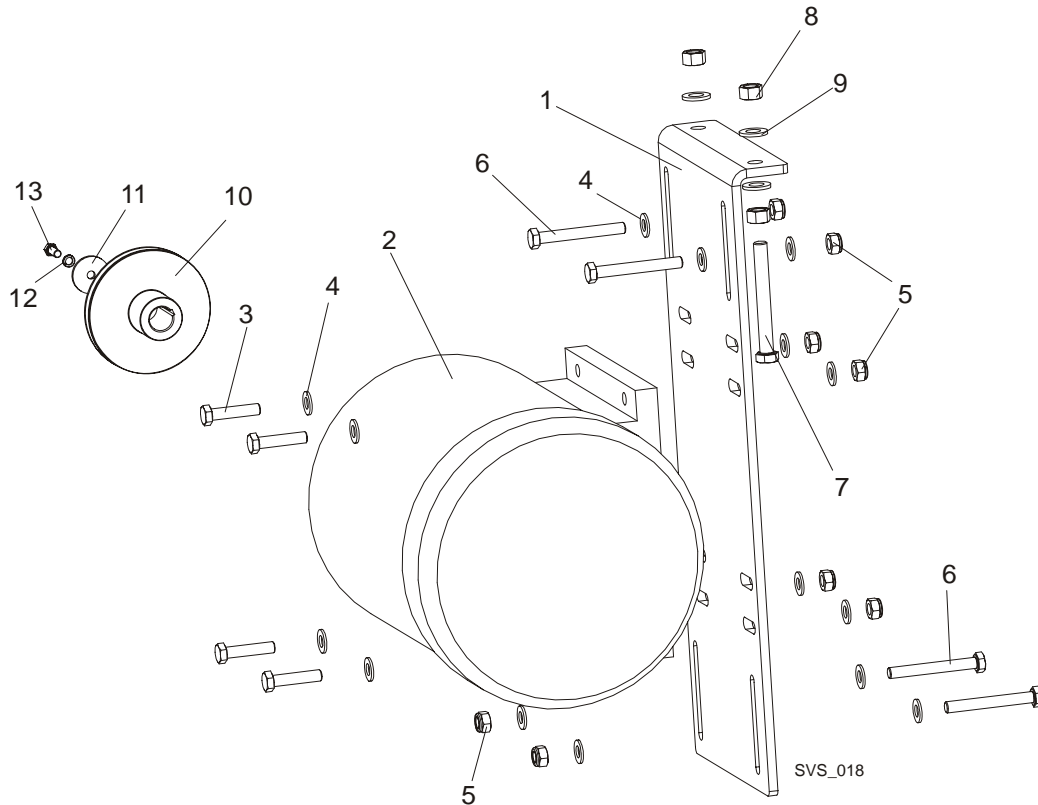
| REF | DESCRIPTION (◆ Indicates Parts Available in Assemblies Only) | PART #    | QTY. |  |
|-----|--|-----------|------|--|
|     | <b>HOLD-DOWN ROLLER, COMPLETE</b>                            | 101454    | 2    |  |
| 1   | ARM, HOLD-DOWN ROLLER  | 101453-1  | 1    |  |
| 2   | BEARING, UCFL 206 CX BALL                                    | 090851    | 2    |  |
| 3   | BOLT, M16X110-8.8 HEX HEAD ZINC                              | F81006-24 | 2    |  |
| 4   | WASHER, 17 FLAT ZINC   | F81058-1  | 2    |  |
| 5   | NUT, M16-8 HEX NYLON ZINC LOCK                               | F81036-2  | 2    |  |
| 6   | WHEEL, 200MM DIA. 60NN (SVS)                                 | 099160    | 2    |  |
| 7   | BOLT, M20X220-8.8 HEX HEAD ZINC                              | F81007-4  | 1    |  |
| 8   | WASHER, 21 FLAT ZINC   | F81059-2  | 2    |  |
| 9   | BUSHING, 21X30X10 ZINC-PLATED SPACER                         | 099351-1  | 3    |  |

## 4

**SAW HEAD***Hold-Down Roller*

|    |  |           |    |  |
|----|--|-----------|----|--|
| 10 | NUT, M20-8-A HEX NYLON ZINC LOCK                 | F81037-2  | 1  |  |
| 11 | SPRING, FI 4.5X FI 35X303                        | 091863    | 1  |  |
| 12 | <b>ROD, HOLD-DOWN ARM THREADED</b>               | 098145-1  | 2  |  |
| 13 | <b>WASHER, 30.5 SPLIT LOCK ZINC</b>              | F81061-8  | 4  |  |
| 14 | <b>WASHER, 31 FLAT ZINC</b>                      | F81061-9  | 8  |  |
| 15 | <b>NUT, M30 HEX ZINC</b>                         | F81038-3  | 12 |  |
| 16 | <b>BUMPER, GRENE 70 3201 0010. SHR RUBBER</b>    | 094969    | 4  |  |
| 17 | <b>PLATE, BUMPER SPACER</b>                      | 099583-1  | 4  |  |
| 18 | <b>BOLT, M8X90-8.8 HEX HEAD FULL THREAD ZINC</b> | F81002-16 | 8  |  |
| 19 | <b>WASHER, 8.4 FLAT ZINC</b>                     | F81054-1  | 8  |  |
| 20 | <b>NUT, M8-8-B HEX NYLON ZINC LOCK</b>           | F81032-2  | 8  |  |
| 21 | <b>BOLT, 12/M10X30 12.9 ISO 7379 SHOULDER</b>    | F81003-70 | 2  |  |
| 22 | <b>WASHER, 10.2 SPLIT LOCK ZINC</b>              | F81055-2  | 2  |  |

## 4.6 Blade Drive Motor



| REF | DESCRIPTION (◆ Indicates Parts Available In Assemblies Only) | PART #              | QTY. |  |
|-----|--|---------------------|------|--|
| 1   | PLATE, MOTOR MOUNTING (RIGHT)                                | 096123-1            | 1    |  |
| 2   | MOTOR, 11kW PSSG-132 S2 - HM+132                             | 089049              | 1    |  |
|     | MOTOR, 12kW 1LA91312LA60 (USA)                               | P85186              | 1    |  |
|     | MOTOR ELECTRIC, 11KW(15KM) 230V NORWAY                       | 085186-2            | 1    |  |
| 3   | BOLT, M10X45-8.8 HEX HEAD FULL THREAD ZINC                   | F81003-3            | 4    |  |
| 4   | WASHER, 10.5 FLAT ZINC                                       | F81055-1            | 8    |  |
| 5   | NUT, M10-8-B HEX NYLON ZINC LOCK                             | F81033-1            | 4    |  |
| 6   | BOLT, M10X80-8.8 HEX HEAD ZINC                               | F81003-50           | 2    |  |
| 7   | BOLT, M12X100 8.8 HEX HEAD FULL THREAD ZINC                  | F81004-45           | 2    |  |
| 8   | NUT, M12-8-B HEX ZINC  | F81034-1            | 2    |  |
| 9   | WASHER, 13 FLAT ZINC   | F81056-1            | 4    |  |
| 10  | PULLEY, SPB $\Phi 140 \times 1 / \Phi 38$ (F02325+T31079)    | 500571 <sup>1</sup> | 1    |  |
|     | PULLEY, SPB $\Phi 170 \times 1 / \Phi 38$ (F01794+T31079)    | 500575 <sup>2</sup> | 1    |  |
|     | PULLEY, SPB190/1 W/2012/38 TAPER SPLIT BUSHING               | 099601 <sup>3</sup> | 1    |  |
|     | PULLEY, SPB125X1/FI38 F02319+T31079 TAPER SPLIT BUSHING      | 501556 <sup>4</sup> | 2    |  |
| 11  | WASHER, FI 60 X 13 X 5 ZINC-PLATED SPECIAL                   | 098613-1            | 1    |  |
| 12  | WASHER, Z12.2 SPLIT LOCK ZINC                                | F81056-2            | 1    |  |
| 13  | BOLT, M12x30-8.8 HEX HEAD FULL THREAD ZINC                   | F81004-22           | 1    |  |

<sup>1</sup> Standard Equipment. Blade Linear Velocity  $v=20.5$  m/s.

<sup>2</sup> Blade Linear Velocity  $v=25$  m/s.

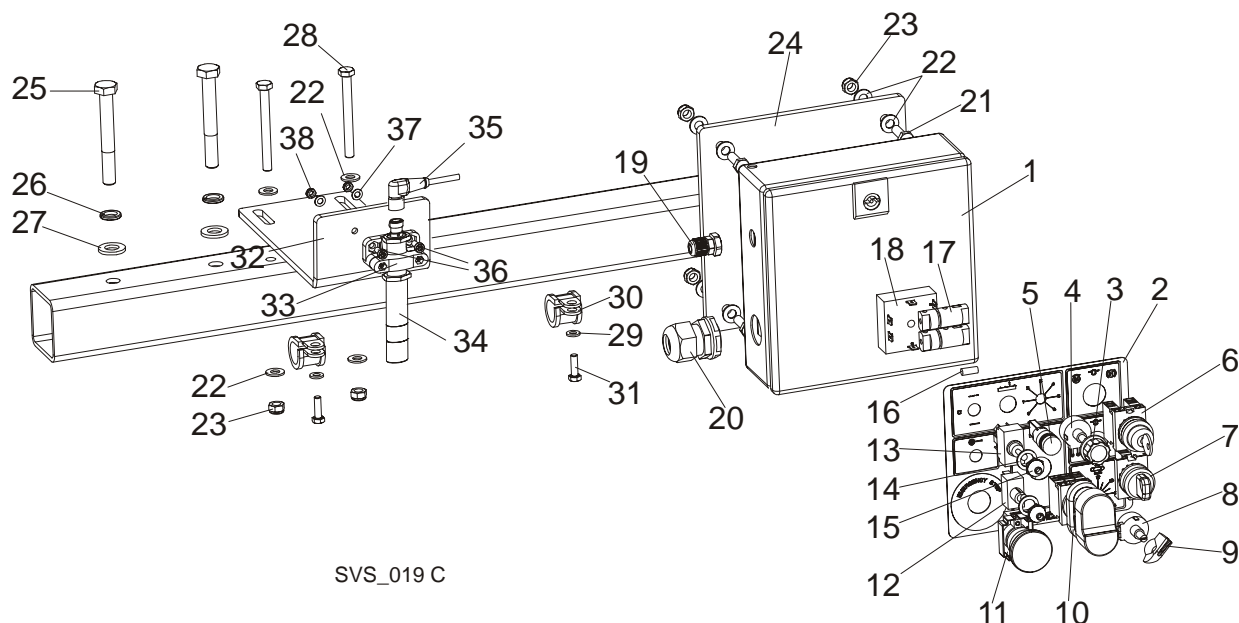
# 4 SAW HEAD

## Control Box

<sup>3</sup> Blade Linear Velocity v=28 m/s.

<sup>4</sup> Blade Linear Velocity v=23 m/s.

### 4.7 Control Box

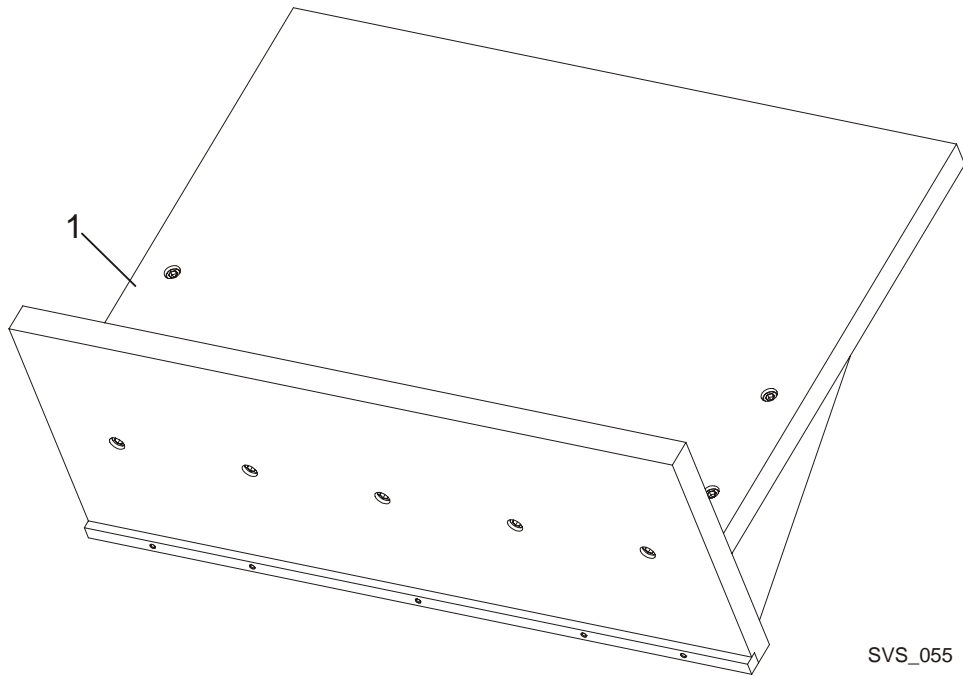


SVS\_019 C

| REF | DESCRIPTION (◆ Indicates Parts Available in Assemblies Only) | PART #    | QTY. |  |
|-----|--|-----------|------|--|
|     | <b>SVS CONTROL BOX - COMPLETE</b>                            | 099172    | 1    |  |
| 1   | BOX, EB1549500   | 089802    | 1    |  |
| 2   | DECAL, SVS CONTROL BOX                                       | 099141    | 1    |  |
| 3   | KNOB, 1/4 ID FLUTED ROUND PLASTIC                            | 033478    | 1    |  |
| 4   | POTENTIOMETER, 1K  | E20519    | 1    |  |
| 5   | LIGHT, XB6 AV 3BB GREEN CONTROL                              | 087348    | 1    |  |
| 6   | SWITCH, M22 3-POSITION KEY                                   | 091361    | 1    |  |
| 7   | SWITCH, M22 3-POSITION ILLUMINATED                           | 091359    | 1    |  |
| 8   | POTENTIOMETER, 500K 2W 10% CP                                | 024553    | 1    |  |
| 9   | KNOB, SPEED CONTROL  | P06257    | 1    |  |
| 10  | SWITCH, 24V ILLUMINATED START-STOP                           | 090452    | 1    |  |
|     | MEMBRANE, M22-T-DD   | 090462    | 1    |  |
| 11  | SWITCH, XB4 BS542 EMERGENCY STOP                             | 086556    | 1    |  |
| 12  | SWITCH, SPST ON/OFF 15A .25 TABS TOGGLE                      | P03027    | 1    |  |
| 13  | SWITCH, DPDT ON/OFF/ON 15A TOGGLE                            | 024588    | 1    |  |
| 14  | WASHER, 1/2X3/4X1/16 NYLON                                   | P05251-1  | 2    |  |
| 15  | BOOT, TOGGLE SWITCH  | P02575    | 2    |  |
| 16  | RESISTOR, 47K / 0,25W  | 094807    | 1    |  |
| 17  | FUSE, 4Amp   | E85238    | 2    |  |
| 18  | TIMER, REPEAT CYCLE 12VDC 1A .2-60SEC.                       | 024530    | 1    |  |
| 19  | GLAND, DP 21/H CABLE   | F81096-3  | 1    |  |
| 20  | GLAND, DP7/H CABLE   | F81096-11 | 1    |  |

|    |   |               |          |  |
|----|---|---------------|----------|--|
| 21 | BOLT, M8X25-8.8-B HEX HEAD FULL THREAD ZINC | F81002-5      | 4        |  |
| 22 | WASHER, 8.4 FLAT ZINC                       | F81054-1      | 12       |  |
| 23 | NUT, M8-8-B HEX NYLON ZINC LOCK             | F81032-2      | 6        |  |
| 24 | TUBE WELDMENT, CONTROL BOX MOUNTING         | 099838-1      | 1        |  |
| 25 | BOLT, M12X90-8.8 HEX HEAD ZINC              | F81004-2      | 2        |  |
| 26 | WASHER, Z12.2 SPLIT LOCK ZINC               | F81056-2      | 2        |  |
| 27 | WASHER, 13 FLAT ZINC                        | F81056-1      | 2        |  |
| 28 | BOLT, M8X80-8.8 HEX HEAD ZINC               | F81002-18     | 2        |  |
| 29 | WASHER, 6.4 FLAT ZINC                       | F81053-1      | 10       |  |
| 30 | CLAMP, RSGU 1.20/20 W1 CABLE                | F81087-2      | 2        |  |
| 31 | BOLT, M6X20-8.8 HEX HEAD FULL THREAD ZINC   | F81001-2      | 2        |  |
|    | <b>LASER KIT SVS</b>                        | <b>099873</b> | <b>1</b> |  |
| 32 | BRACKET SVS LASER MOUNTING                  | 099842-1      | 1        |  |
| 33 | BRACKET LASER SMB18SF                       | 503469        | 1        |  |
| 34 | LASER, Z5M18B-F-532-IG90 LINEAR, GREEN      | 501025        | 1        |  |
| 35 | CABLE, 2M SAFETY SWITCH                     | 094290        | 1        |  |
| 36 | SCREW, M5X16-8.8 HEX SOCKET HEAD CAP ZINC   | F81000-25     | 2        |  |
| 37 | WASHER, 5.3 FLAT ZINC                       | F81052-1      | 2        |  |
| 38 | NUT, M5-8-FE/ZN5 DIN985                     | F81030-2      | 2        |  |

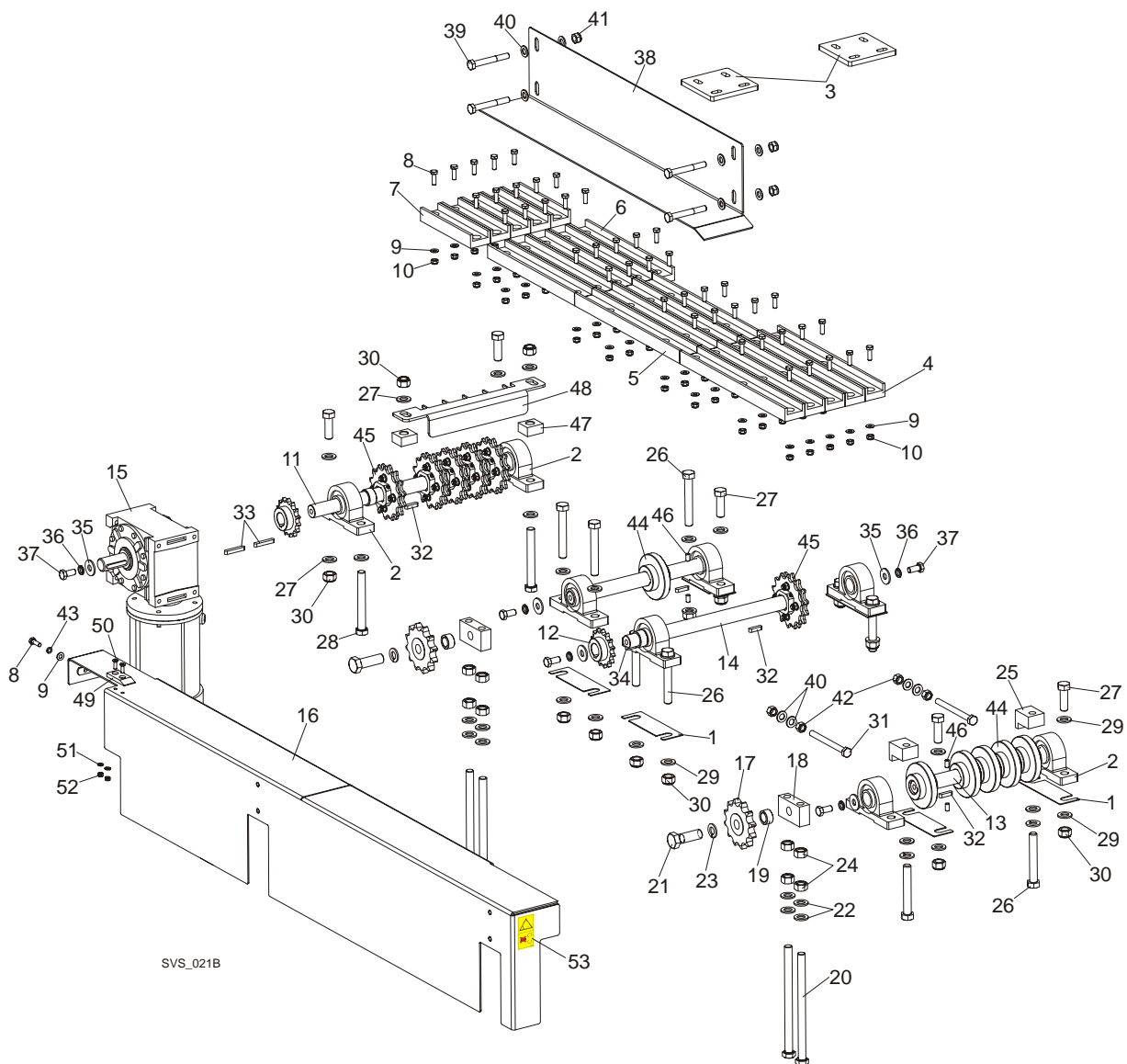
**4.8 Blade Alignment Tool**



| REF | DESCRIPTION (◆ Indicates Parts Available In Assemblies Only) | PART # | QTY. |  |
|-----|--|--------|------|--|
| 1   | TOOL, SVS BLADE ALIGNMENT                                    | 100155 | 1    |  |

## SECTION 5 SVS TABLES

### 5.1 Feed Track Assembly



| REF | DESCRIPTION (◆ Indicates Parts Available In Assemblies Only) | PART #   | QTY. |
|-----|--|----------|------|
| 1   | PLATE, UCP206 BEARING HOUSING SPACER                         | 099846-1 | 6    |
| 2   | BEARING, UCP 206 CX W/HOUSING                                | 099254   | 8    |
| 3   | PLATE, SVS SAW HEAD MOUNTING                                 | 099140-1 | 2    |
| 4   | BAR, CHAIN GUIDE (INFEED SIDE)                               | 099385   | 5    |
| 5   | BAR, CHAIN GUIDE (MIDDLE)                                    | 099387   | 4    |
| 6   | BAR, CHAIN GUIDE - MIDDLE                                    | 101343   | 5    |
| 7   | BAR, CHAIN GUIDE - SHORT                                     | 101342   | 5    |
| 8   | BOLT, M8X25-8.8-B HEX HEAD FULL THREAD ZINC                  | F81002-5 | 39   |

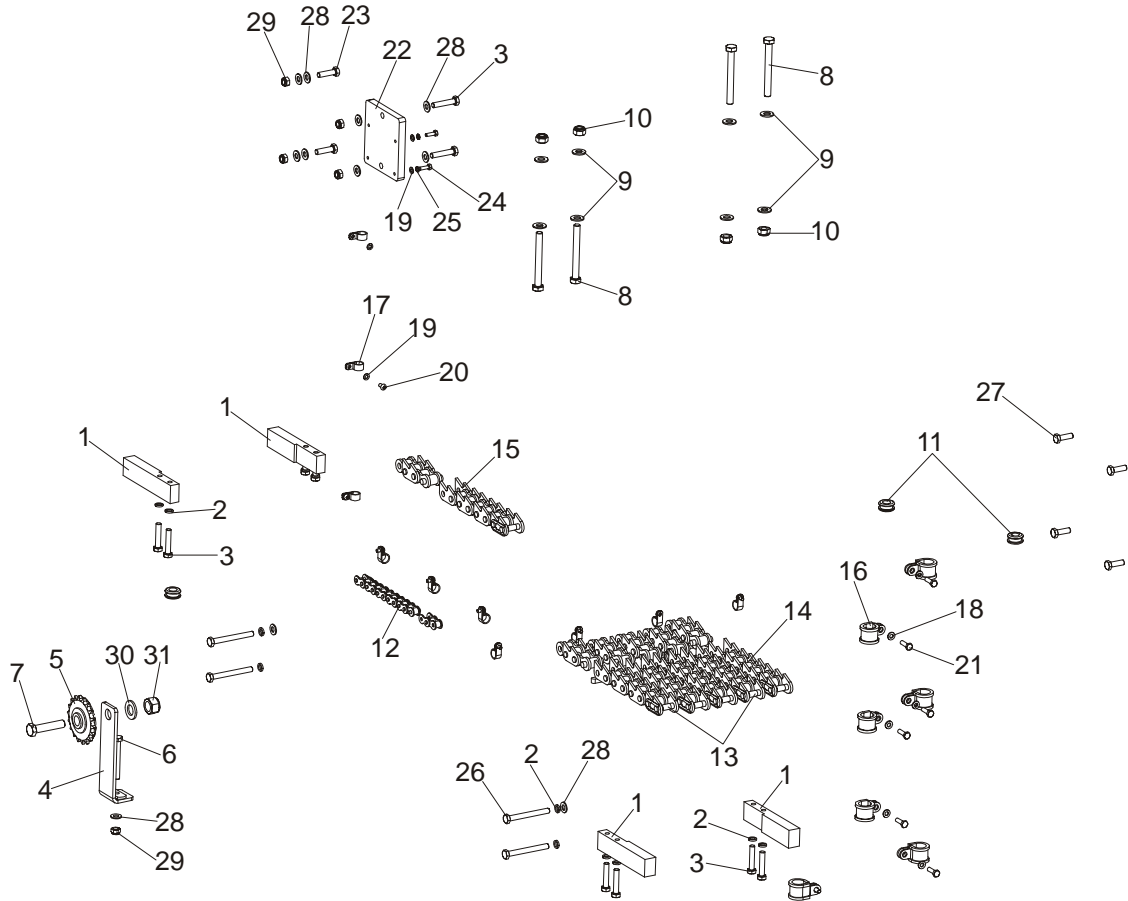
|    |   |           |    |  |
|----|---|-----------|----|--|
| 9  | WASHER, 8.4 FLAT ZINC                       | F81054-1  | 39 |  |
| 10 | NUT, M8-8-B HEX NYLON ZINC LOCK             | F81032-2  | 39 |  |
| 11 | SHAFT, SVS DRIVE                            | 099388    | 1  |  |
| 12 | SPROCKET, 10B Z15 FI28                      | 097947    | 2  |  |
| 13 | SHAFT, SVS DRIVEN                           | 099389    | 1  |  |
| 14 | SHAFT, SVS IDLE SIDE                        | 099390    | 2  |  |
| 15 | MOTOREDUCER, RA-06/39/D4/SN/V6 RESAW        | 092075    | 1  |  |
|    | MOTOR IND. SKh80X-4C1 IMB14/1-162           | 090104    | 1  |  |
|    | GEAR BOX, WORM MR-63/39 F3/V6               | 094833    | 1  |  |
| 16 | GUARD, SVS DRIVE                            | 098321-1  | 1  |  |
|    | COMPLETE SHORT CHAIN TENSIONER              | 099832    | 2  |  |
| 17 | SPROCKET, KSR20-LO-16-10-12-15              | 099746    | 1  |  |
| 18 | BLOCK, SHORT CHAIN TENSIONER                | 099830-1  | 1  |  |
| 19 | BUSHING, $\phi$ 20.5x $\phi$ 30x15 SPACER   | 100105-1  | 2  |  |
| 20 | BOLT, M16X240-8.8-A2 FULL THREAD            | F81006-29 | 2  |  |
| 21 | BOLT, M20X60 8.8 HEX HEAD ZINC              | F81007-7  | 1  |  |
| 22 | WASHER, 17 FLAT ZINC                        | F81058-1  | 6  |  |
| 23 | WASHER, 16.3 SPLIT LOCK ZINC                | F81058-2  | 1  |  |
| 24 | NUT, M16-5.8 HEX ZINC                       | F81036-1  | 4  |  |
| 25 | BLOCK, LONG CHAIN TENSIONER                 | 099829-1  | 2  |  |
| 26 | BOLT, M16X110-8.8 HEX HEAD ZINC             | F81006-24 | 6  |  |
| 27 | BOLT, M16X50-8.8 HEX HEAD FULL THREAD ZINC  | F81006-7  | 6  |  |
| 28 | BOLT, M16X130-8.8 HEX HEAD ZINC             | F81006-35 | 2  |  |
| 29 | WASHER, 17 FLAT ZINC                        | F81058-1  | 32 |  |
| 30 | NUT, M16-8 HEX NYLON ZINC LOCK              | F81036-2  | 16 |  |
| 31 | BOLT, M12X130-8.8 HEX HEAD FULL THREAD ZINC | F81004-55 | 2  |  |
| 32 | KEY, A8X7X32 PARALLEL                       | 088564    | 7  |  |
| 33 | KEY, A8X7X50 PARALLEL                       | 088563    | 2  |  |
| 34 | KEY, AB 8X7X25 PARALLEL                     | 099848    | 1  |  |
| 35 | WASHER, 13 SPECIAL FLAT ZINC                | F81056-14 | 8  |  |
| 36 | WASHER, Z12.2 SPLIT LOCK ZINC               | F81056-2  | 10 |  |
| 37 | BOLT, M12X25-8.8 HEX HEAD FULL THREAD ZINC  | F81004-31 | 8  |  |
| 38 | FENCE, FEED TRACK SIDE                      | 099849-1  | 1  |  |
| 39 | BOLT, M12X90-8.8 HEX HEAD ZINC              | F81004-2  | 4  |  |
| 40 | WASHER, 13 FLAT ZINC                        | F81056-1  | 12 |  |
| 41 | NUT, M12-8 HEX NYLON ZINC LOCK              | F81034-2  | 4  |  |
| 42 | NUT, M12-8-B HEX ZINC                       | F81034-1  | 4  |  |
| 43 | WASHER, 8.2 SPLIT LOCK ZINC                 | F81054-4  | 1  |  |
| 44 | WHEEL, 16B CHAIN TENSION                    | 101088-1  | 6  |  |
| 45 | SPROCKET, 14Z D30 COMPLETE                  | 101446    | 6  |  |
| 46 | SCREW, M8X16-33H HEX SOCK. FLAT POINT SET   | F81014-2  | 12 |  |
| 47 | DISTANCE BLOCK, SAWDUST WIPER               | 101449-1  | 2  |  |
| 48 | WIPER, SVS SPROCKET ZINC                    | 101396-1  | 1  |  |
| 49 | PLATE, SLIDE ZINC                           | 504477-1  | 1  |  |
| 50 | SCREW, M6X20-10.9 FE/ZN5 DIN-7991           | F81001-17 | 2  |  |
| 51 | WASHER, M6, FLAT ZINC                       | F81053-1  | 2  |  |
| 52 | NUT, M6-8-B HEX,NYLON LOCK ZINC             | F81031-2  | 2  |  |



---

|    |                     |        |   |  |
|----|---------------------|--------|---|--|
| 53 | DECAL, GEAR WARNING | 099540 | 1 |  |
|----|---------------------|--------|---|--|

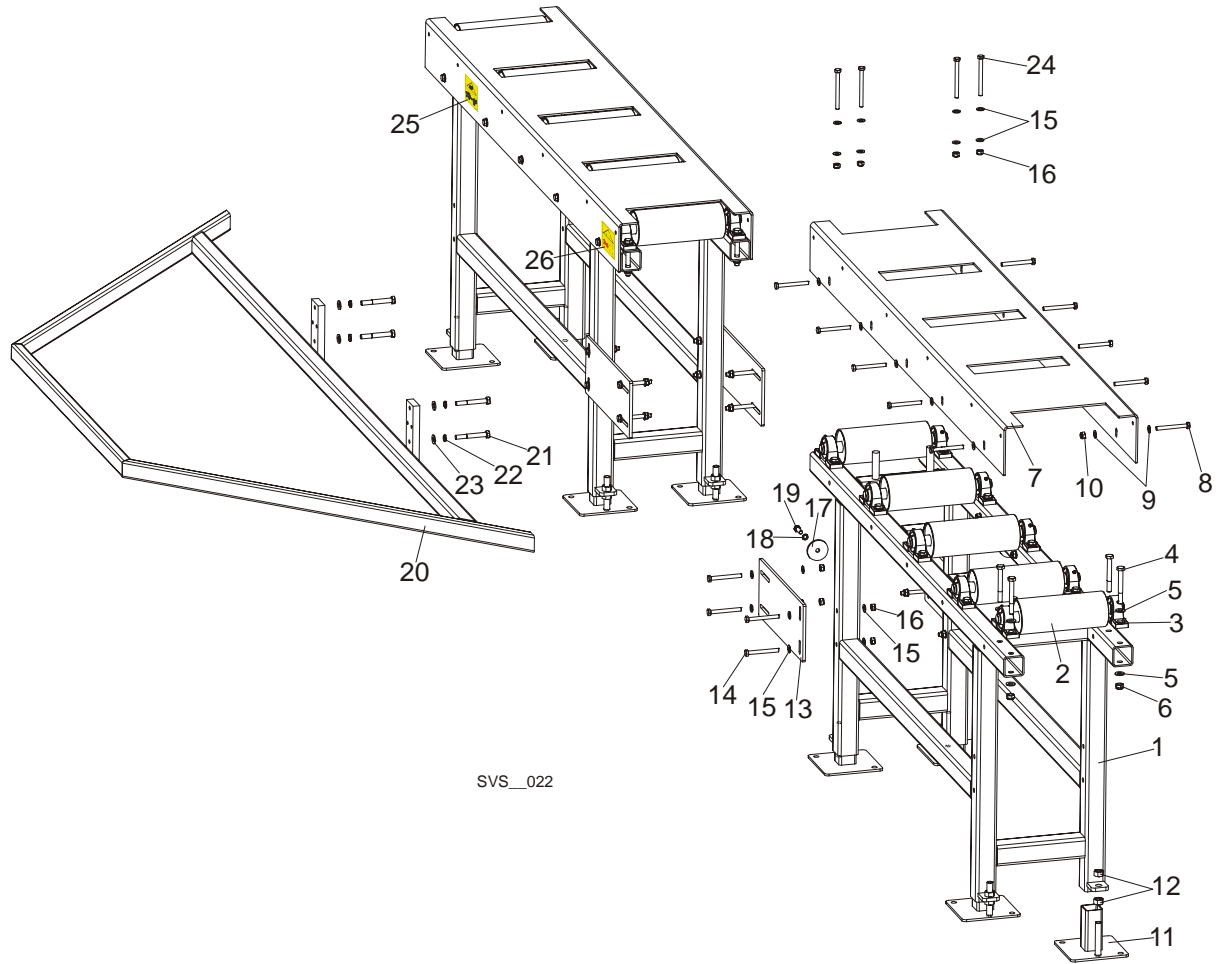
## 5.2 Chains



| REF | DESCRIPTION (◆ Indicates Parts Available In Assemblies Only) | PART #    | QTY. |
|-----|--|-----------|------|
| 1   | <b>BLOCK, SVS CHAIN SPACER</b>                               | 099591-1  | 4    |
| 2   | <b>WASHER, 8.2 SPLIT LOCK ZINC</b>                           | F81054-4  | 13   |
| 3   | <b>BOLT, M8X40-8.8 HEX HEAD FULL THREAD ZINC</b>             | F81002-15 | 10   |
| 4   | <b>BRACKET WELDMENT, POWER FEED CHAIN TENSIONER</b>          | 092862-1  | 1    |
| 5   | <b>SPROCKET, Z=18 KSR16.L0.08.10.18.09</b>                   | 088700    | 1    |
| 6   | <b>BOLT, M8X65-5.8 HEX HEAD ZINC</b>                         | F81002-3  | 1    |
| 7   | <b>BOLT, M12X55-8.8 HEX HEAD ZINC</b>                        | F81004-12 | 1    |
| 8   | <b>BOLT, M10X90-8.8-B HEX HEAD ZINC</b>                      | F81003-66 | 4    |
| 9   | <b>WASHER, 10.5 FLAT ZINC</b>                                | F81055-1  | 8    |
| 10  | <b>NUT, M10-8-B HEX NYLON ZINC LOCK</b>                      | F81033-1  | 4    |
| 11  | <b>GROMMET, 20/13 RUBBER</b>                                 | 086188    | 3    |
| 12  | <b>CHAIN, 10B-1 142 LINKS (2255) - COMPLETE</b>              | 099870    | 1    |
|     | CHAIN, 10B-1 143 LINKS (2270.1)                              | 099871    | 1    |
|     | LINK, 10B-1Pz MASTER   | 088671    | 1    |
| 13  | <b>CHAIN, 1" 135 LINKS (3429) - COMPLETE, SPECIAL</b>        | 099866    | 4    |
|     | CHAIN, 1" 135 LINKS (3429) SPECIAL                           | 099101    | 4    |
|     | LINK, 1" SPECIAL CHAIN MASTER                                | 099869    | 4    |

|    |  |           |    |  |
|----|--|-----------|----|--|
| 14 | <b>CHAIN, 1" 61 LINKS (1549.4) - COMPLETE, SPECIAL</b> | 099867    | 1  |  |
|    | CHAIN, 1" 61 LINKS (1549.4) SPECIAL                    | 099843    | 1  |  |
|    | LINK, 1" SPECIAL CHAIN MASTER                          | 099869    | 1  |  |
| 15 | <b>CHAIN, 1" 75 LINKS (1905) - COMPLETE, SPECIAL</b>   | 099868    | 1  |  |
|    | CHAIN, 1" 75 LINKS (1905) SPECIAL                      | 099844    | 1  |  |
|    | LINK, 1" SPECIAL CHAIN MASTER                          | 099869    | 1  |  |
| 16 | <b>CLAMP, RSGU 1.20/20 W1 WIRE</b>                     | F81087-2  | 16 |  |
| 17 | <b>CLAMP, 1/2 WIRE PLASTIC</b>                         | F05114-1  | 10 |  |
| 18 | <b>WASHER, 6.4 FLAT ZINC</b>                           | F81053-1  | 16 |  |
| 19 | <b>WASHER, 5.3 FLAT ZINC</b>                           | F81052-1  | 14 |  |
| 20 | <b>SCREW, H M5X10 8.8 CROSS RECESSED PAN HEAD ZINC</b> | F81000-13 | 10 |  |
| 21 | <b>BOLT, M6X20-8.8 HEX HEAD FULL THREAD ZINC</b>       | F81001-2  | 16 |  |
| 22 | <b>BRACKET, LMS PUMP ZINC-PLATED</b>                   | 098762-1  | 1  |  |
| 23 | <b>BOLT, M8X30-8.8-B HEX HEAD FULL THREAD ZINC</b>     | F81002-7  | 2  |  |
| 24 | <b>BOLT, M5X16-5.8 HEX HEAD FULL THREAD ZINC</b>       | F81000-51 | 4  |  |
| 25 | <b>WASHER, 5.1 SPLIT LOCK ZINC</b>                     | F81052-2  | 4  |  |
| 26 | <b>BOLT, M8X75 8.8 HEX HEAD ZINC</b>                   | F81002-91 | 4  |  |
| 27 | <b>BOLT, M8X25-8.8-B HEX HEAD FULL THREAD ZINC</b>     | F81002-5  | 4  |  |
| 28 | <b>WASHER, 8.4 FLAT ZINC</b>                           | F81054-1  | 9  |  |
| 29 | <b>NUT, M8-8-B HEX NYLON ZINC LOCK</b>                 | F81032-2  | 2  |  |
| 30 | <b>WASHER, 17 FLAT ZINC</b>                            | F81058-1  | 1  |  |
| 31 | <b>NUT, M16-8 HEX NYLON ZINC LOCK</b>                  | F81036-2  | 1  |  |

### 5.3 Infeed & Outfeed Table



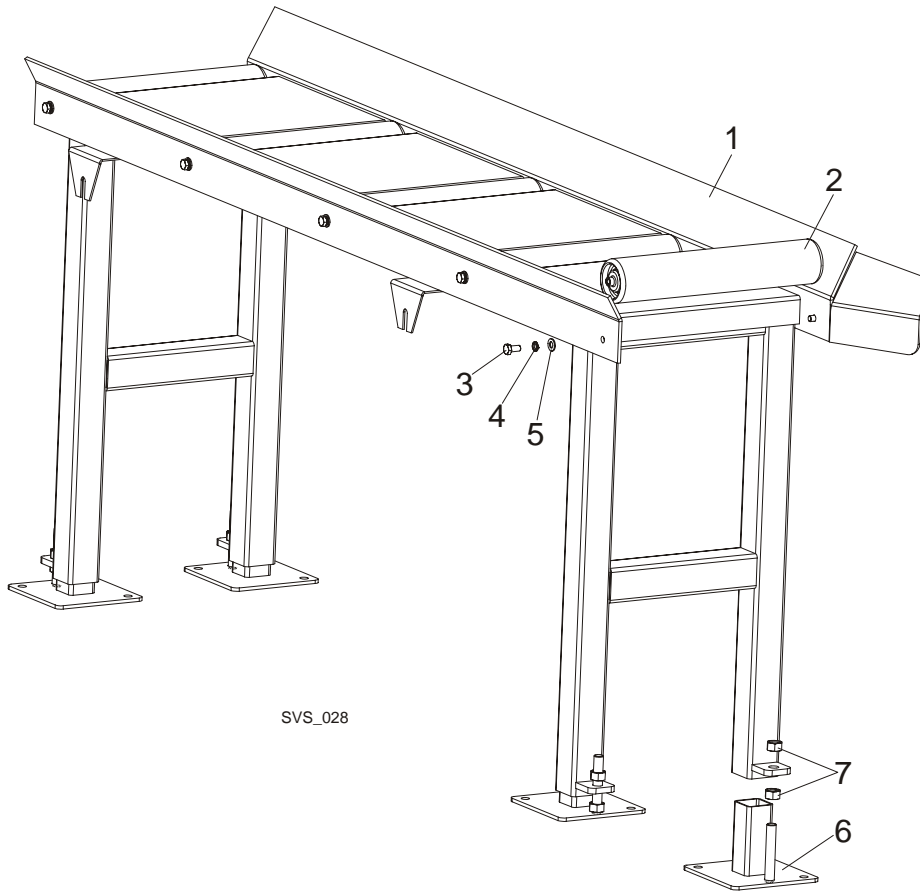
SVS\_022

| REF | DESCRIPTION (◆ Indicates Parts Available In Assemblies Only) | PART #    | QTY. |
|-----|--|-----------|------|
|     | <b>SVS INFEED &amp; OUTFEED TABLE</b>                        | 099170    | 2    |
| 1   | FRAME, SVS INFEED & OUTFEED TABLE                            | 099168-1  | 1    |
| 2   | ROLLER, SVS FEED   | 098140-1  | 5    |
| 3   | BEARING, UCP 205 CX W/HOUSING                                | 088468    | 10   |
| 4   | BOLT, M12x100-8.8 HEX HEAD ZINC                              | F81004-3  | 20   |
| 5   | WASHER, 13 FLAT ZINC   | F81056-1  | 40   |
| 6   | NUT, M12-8 HEX NYLON ZINC LOCK                               | F81034-2  | 20   |
| 7   | PLATE, SVS TABLE TOP   | 099167-1  | 1    |
| 8   | BOLT, M10x90 -8.8-B HEX HEAD ZINC                            | F81003-66 | 10   |
| 9   | WASHER, 10.5 FLAT ZINC                                       | F81055-1  | 20   |
| 10  | NUT, M10-8-B HEX NYLON ZINC LOCK                             | F81033-1  | 10   |
| 11  | FOOT ASSEMBLY, TABLE LEG                                     | 099281-1  | 4    |
| 12  | NUT, M16-5.8 HEX ZINC  | F81036-1  | 8    |
| 13  | <b>PLATE, TABLE MOUNTING</b>                                 | 099177-1  | 4    |
| 14  | <b>BOLT, M10X90 -8.8-B HEX HEAD ZINC</b>                     | F81003-66 | 16   |
| 15  | <b>WASHER, 10.5 FLAT ZINC</b>                                | F81055-1  | 40   |

|    |  |           |    |  |
|----|--|-----------|----|--|
| 16 | NUT, M10-8-B HEX NYLON ZINC LOCK               | F81033-1  | 16 |  |
| 17 | WASHER, IDLE BLADE WHEEL RETAINING ZINC-PLATED | 088957-1  | 2  |  |
| 18 | WASHER, 10.2 SPLIT LOCK ZINC                   | F81055-2  | 2  |  |
| 19 | BOLT, M10X30-5.8 HEX HEAD FULL THREAD ZINC     | F81003-2  | 2  |  |
| 20 | FENCE, SVS                                     | 098322-1  | 1  |  |
| 21 | BOLT, M12X90-8.8 HEX HEAD ZINC                 | F81004-2  | 4  |  |
| 22 | WASHER, Z12.2 SPLIT LOCK ZINC                  | F81056-2  | 4  |  |
| 23 | WASHER, 13 FLAT ZINC                           | F81056-1  | 4  |  |
| 24 | BOLT, M10X110 8.8 HEX HEAD ZINC                | F81003-43 | 4  |  |
| 25 | DECAL, KEEP A SAFE DISTANCE AWAY               | 099221    | 1  |  |
| 26 | DECAL, GEAR WARNING                            | 099540    | 1  |  |

**5 SVS TABLES**  
*Side Table (Optional)*

**5.4 Side Table (Optional)**



SVS\_028

| REF | DESCRIPTION (◆ Indicates Parts Available In Assemblies Only) | PART #   | QTY. |
|-----|--|----------|------|
|     | <b>TABLE, SVSST SIDE</b>                                     | 098720   | 1    |
| 1   | TABLE, SVSST SIDE  | 098730-1 | 1    |
| 2   | ROLLER, 76 DIA. X 400 W/INTERNAL THREAD                      | 093787-1 | 5    |
| 3   | BOLT, M10x20-5.8 HEX HEAD FULL THREAD ZINC                   | F81003-1 | 10   |
| 4   | WASHER, 10.2 SPLIT LOCK ZINC                                 | F81055-2 | 10   |
| 5   | WASHER, 10.5 FLAT ZINC                                       | F81055-1 | 10   |
| 6   | FOOT ASSEMBLY, TABLE LEG                                     | 099281-1 | 4    |
| 7   | NUT, M16-5.8 HEX ZINC  | F81036-1 | 8    |