

Wood-Mizer®

Single Vertical Saw

Parts List

SVSE11S
SVSE15S

rev. A3.01
rev. A3.01



Safety is our #1 concern! Read and understand all safety information and instructions before operating, setting up or maintaining this machine.

February 2008

Form #1009

Table of Contents

Section-Page

SECTION 1	GENERAL INFORMATION	1-1
1.1	How To Use The Parts List	1-1
1.2	Sample Assembly	1-1
SECTION 2	BLADE GUIDES	2-1
2.1	Blade Guide Assembly, Idle Side.....	2-1
2.2	Blade Guide Assembly, Drive Side.....	2-3
SECTION 3	BLADE WHEELS & TENSIONER	3-1
3.1	Blade Wheel Assembly, Drive Side	3-1
3.2	Blade Wheel Assembly, Idle Side.....	3-2
3.3	Blade Tensioner Assembly.....	3-3
SECTION 4	SAW HEAD	4-1
4.1	Middle Throat Screw	4-1
4.2	Water Bottle Assembly (LMS).....	4-2
4.3	Saw Head Decals	4-4
4.4	Blade Housing Cover & Electric Box	4-5
4.5	Hold-Down Roller	4-6
4.6	Blade Drive Motor.....	4-8
4.7	Control Box	4-9
SECTION 5	SVS TABLES	5-1
5.1	Feed Track Assembly	5-1
5.2	Chains	5-3
5.3	Infeed & Outfeed Table.....	5-5
5.4	Side Table (Optional)	5-7

SECTION 1 GENERAL INFORMATION

1.1 How To Use The Parts List

- Use the index above to locate the assembly that contains the part you need.
- Go to the appropriate section and locate the part in the illustration.
- Use the number pointing to the part to locate the correct part number and description in the table.
- Parts shown indented under another part are included with that part.
- Parts marked with a diamond (◆) are only available in the assembly listed above the part.

See the sample table below. Sample Part #A01111 includes part F02222-2 and subassembly A03333. Subassembly A03333 includes part S04444-4 and subassembly K05555. The diamond (◆) indicates that S04444-4 is not available except in subassembly A03333. Subassembly K05555 includes parts M06666 and F07777-77. The diamond (◆) indicates M06666 is not available except in subassembly K05555.

1.2 Sample Assembly				
REF	DESCRIPTION (◆ Indicates Parts Available In Assemblies Only)	PART #	QTY.	
	Sample Assembly, Complete (Includes All Indented Parts Below)	A01111	1	
1	Sample Part	F02222-22	1	
	Sample Subassembly (Includes All Indented Parts Below)	A03333	1	
2	Sample Part (◆ Indicates Part Is Only Available With A03333)	S04444-4	1	◆
	Sample Subassembly (Includes All Indented Parts Below)	K05555	1	
3	Sample Part (◆ Indicates Part Is Only Available With K05555)	M06666	2	◆
4	Sample Part	F07777-77	1	

To Order Parts:

- From Europe call our European Headquarters and Manufacturing Facility in Kolo, Poland at **+48-63-2626000**. From the continental U.S., call our toll-free Parts hotline at **1-800-448-7881**. Have your customer number, vehicle identification number, and part numbers ready when you call.
- From other international locations, contact the Wood-Mizer distributor in your area for parts.

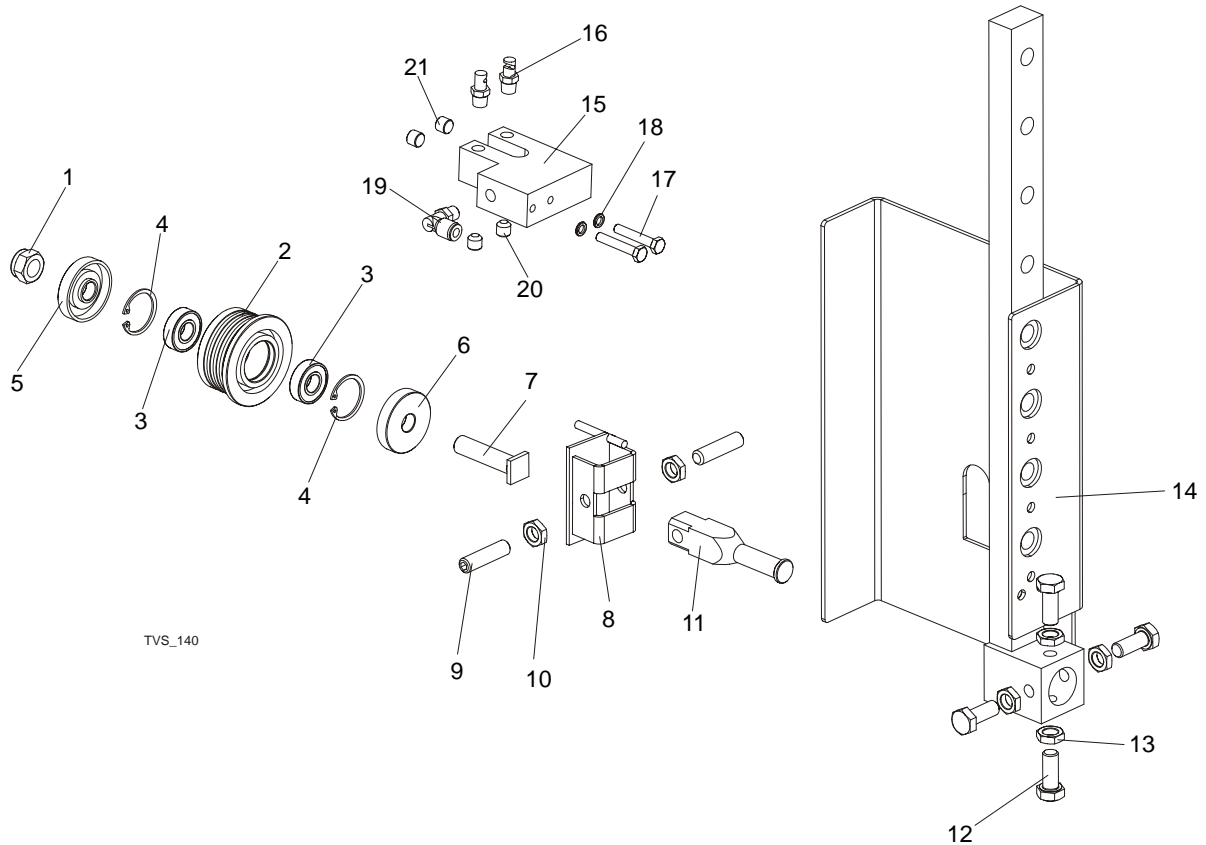


General Information

Sample Assembly

SECTION2 BLADE GUIDES

2.1 Blade Guide Assembly, Idle Side

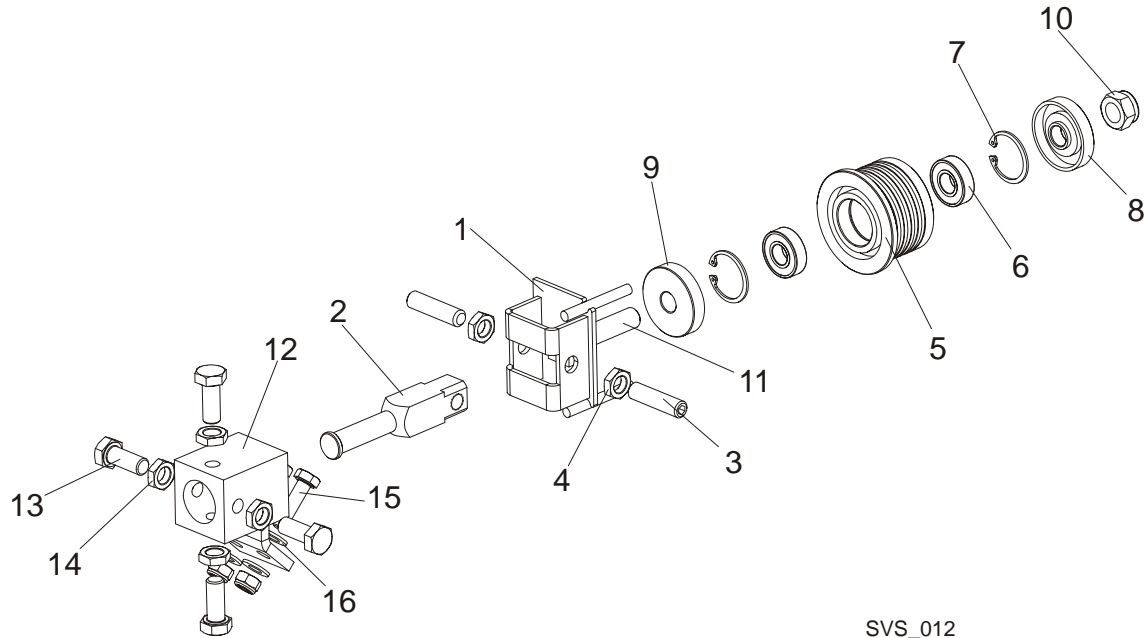


TVS_140

REF	DESCRIPTION (◆ Indicates Parts Available In Assemblies Only)	PART #	QTY.	
	ROLLER, TVS BLADE GUIDE COMPLETE	500562	1	
	ROLLER, TVS BLADE GUIDE	500561	1	
1	NUT, M12-8 HEX NYLON ZINC LOCK	F81034-2	1	
2	ROLLER, TVS BLADE GUIDE WIDE	500560	1	◆
3	BEARING, 6001 2RSR FAG	087893	2	
4	RING, W28 INSIDE RETAINING	F81090-9	1	
5	RING, ZINC-PLATED SPACER (FOR EXTEND.ROLL)	087891-1	1	
6	RING, ZINC-PLATED SPACER (FOR EXTEND.ROLL)	087892-1	1	
7	SHAFT, BLADE GUIDE ROLLER ZINC-PLATED	087762-1	1	
8	BRACKET WELDMENT, BLADE GUIDE PAINTED	500563-1	1	
9	SCREW, M10X1X40 DIN 913 A2-70 SET STAINLESS STEEL	F81015-2	2	
10	NUT, M10X1-04-ST-A2 ISO 8675 THIN	F81033-10	2	
11	SHAFT, BLADE GUIDE MOUNT ZINC-PLATED	088255-1	1	
12	BOLT, M10x1x25 DIN 933	F81003-28	4	
13	NUT, M10x1-04-ST-A2 ISO 8675 THIN	F81033-10	4	

14	ROLLER GUIDE, TVS RIGHT-PTD	096131-1	1	
	ROLLER GUIDE, TVS LEFT- PTD	098608-1	1	
	LUBE SYSTEM, TVS	098583	2	
15	BLOCK, NOZZLE MOUNTING ZINC-PLATED	097943-1	1	
16	NOZZLE, BLADE LUBE SPRAY	033479	2	
17	BOLT, M6x35 8.8 HEX HEAD ZINC	F81001-71	2	
18	WASHER, M6 SPLIT LOCK ZINC	F81053-3	2	
19	Fitting, 1/8MPTx1/4Tube,Elbow,Swivel	P09736	1	
20	Fitting, 1/8 NPT Socket Pipe Plug	P30127	2	
21	PLUG, M10x1 DIN 906 BN40 "BOSSARD"	F81015-3	2	

2.2 Blade Guide Assembly, Drive Side

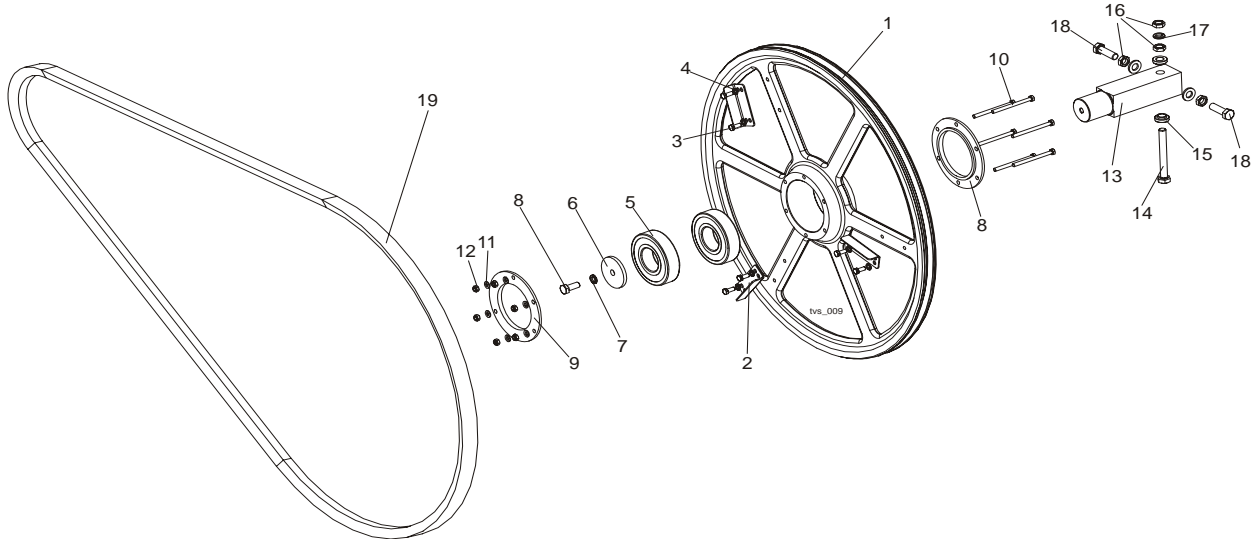


SVS_012

REF	DESCRIPTION (◆ Indicates Parts Available In Assemblies Only)	PART #	QTY.
	ROLLER, TVS BLADE GUIDE COMPLETE	500562	1
1	BRACKET WELDMENT, BLADE GUIDE PAINTED	500563-1	1
2	SHAFT, BLADE GUIDE MOUNT ZINC-PLATED	088255-1	1
3	SCREW, M10X1X40 DIN913 STAINLESS STEEL SET	F81015-2	2
4	NUT, M10X1-04-ST-A2 ISO 8675 THIN	F81033-10	2
	ROLLER, TVS BLADE GUIDE	500561	1
5	ROLLER, TVS BLADE GUIDE WIDE	500560	1
6	BEARING, 6001 2RSR FAG	087893	2
7	RING, W28 INSIDE RETAINING	F81090-9	1
8	RING, ZINC-PLATED SPACER (FOR EXTEND.ROLL)	087891-1	1
9	RING, ZINC-PLATED SPACER (FOR EXTEND.ROLL)	087892-1	1
10	NUT, M12-8 HEX NYLON ZINC LOCK	F81034-2	1
11	SHAFT, EXTENDED ROLLER ZINC-PLATED	087762-1	1
12	BLOCK WELDMENT, BLADE GUIDE MOUNT PTD	088292-1	3
13	BOLT, M10X1X25 DIN 933 STAINLESS STEEL	F81003-28	1
14	NUT, M10x1-04-ST-A2 ISO 8675 THIN	F81033-10	4
15	BOLT, M8x20-8.8-B HEX HEAD FULL THREAD ZINC	F81002-4	2
16	WASHER, 8.2 SPLIT LOCK ZINC	F81054-4	2

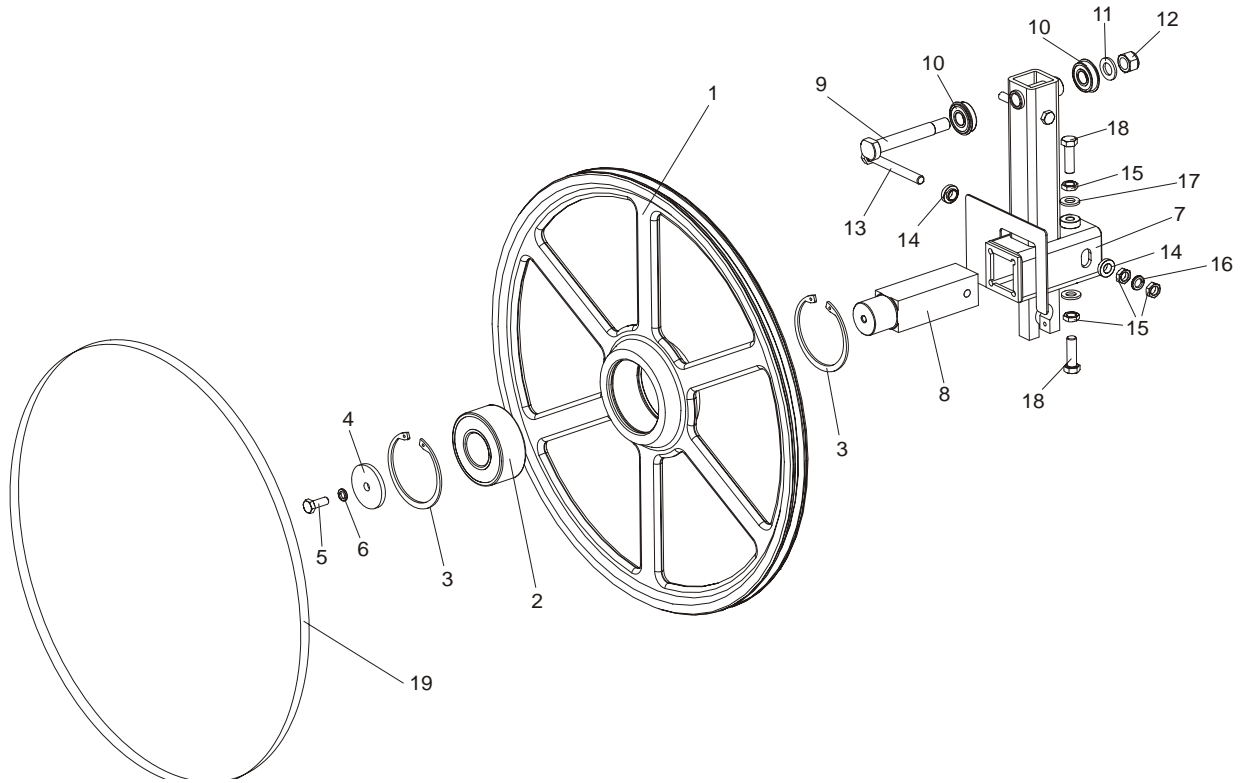
SECTION 3 BLADE WHEELS & TENSIONER

3.1 Blade Wheel Assembly, Drive Side



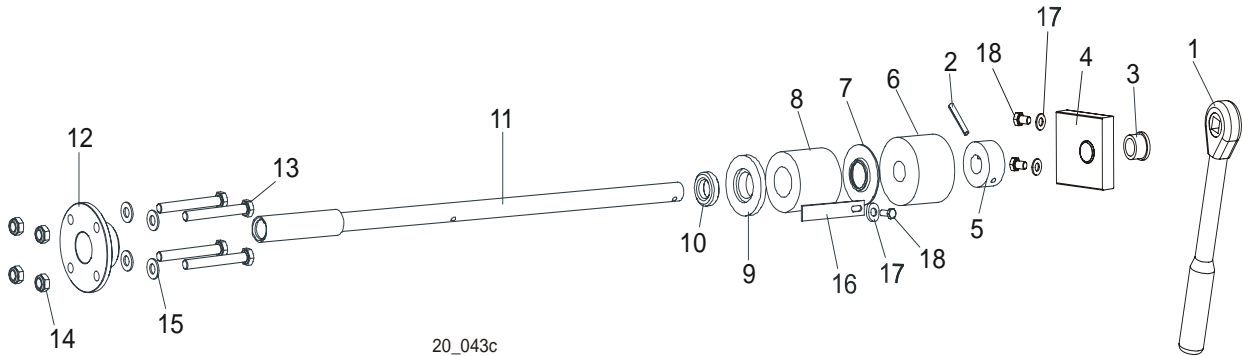
REF	DESCRIPTION (◆ Indicates Parts Available In Assemblies Only)	PART #	QTY.
	DRIVE SIDE BLADE WHEEL - COMPLETE	096109	1
1	Wheel, Drive Side Blade	096105-1	1
2	Wing, Sawdust Blow-Off	096363-1	3
3	Bolt, M6x16 8.8 Hex Head Full Thread Zinc	F81001-15	6
4	Washer, Z 6.1 Split Lock Zinc	F81053-3	6
5	Bearing, 6309 2RSR	096107	2
6	Washer, Idle Side Wheel Retaining Zinc-plated	088957-1	1
7	Washer, 10.2 Split Lock Zinc	F81055-2	1
8	Bolt, M10x25 8.8 Hex Head Full Thread	F81003-31	1
9	Ring, Bearing Mounting	096108-1	2
10	Bolt, M6x80 5.8 Hex Head Full Thread Zinc	F81001-61	6
11	Washer, 6.4 Flat Zinc	F81053-1	6
12	Nut, M6-8-B Hex Nylon Zinc Lock	F81031-2	6
13	SHAFT, DRIVE SIDE BLADE WHEEL	096110	1
14	BOLT, M12X1,25X100-8,8 HEX HEAD FULL THREAD ZINC	F81004-41	1
15	WASHER, FLANGED ZINC-PLATED	086769-1	2
16	NUT, M12X1.25 8.8 THIN ZINC	F81034-5	3
17	WASHER, Z12.2 SPLIT LOCK ZINC	F81056-2	1
18	BOLT, M12x1.25x40-8.8 HEX HEAD ZINC	F81004-42	2
19	V-BELT, 5VX1080	033391	1

3.2 Blade Wheel Assembly, Idle Side



REF	DESCRIPTION (◆ Indicates Parts Available In Assemblies Only)	PART #	QTY.
	IDLE SIDE BLADE WHEEL - COMPLETE	088764	1
1	Wheel, Idle Side Blade Ptd	090810-1	1
2	Bearing, N/T 3309B.2RSR.TVH FAG	086428	1
3	Ring, W100 Inside Retaining	F81090-10	2
4	WASHER, IDLE SIDE WHEEL RETAINING ZINC-PLATED	088957-1	1
5	BOLT, M10X25 8.8 HEX HEAD FULL THREAD	F81003-31	1
6	WASHER, 10.2 SPLIT LOCK ZINC	F81055-2	1
7	ARM WELDMENT, RESAW&TVS IDLE SIDE WHEEL	098606-1	1
8	SHAFT, IDLE SIDE BLADE WHEEL	088474	1
9	BOLT, ARM BEARING MOUNT	086404	1
10	BEARING, 6203- DDUNR NSK W/SNAP RING	086395	2
11	WASHER, 17 FLAT ZINC	F81058-1	1
12	NUT, M16-8 HEX NYLON ZINC LOCK	F81036-2	1
13	BOLT, M12x1.25x100-8.8 HEX HEAD FULL THREAD ZINC	F81004-41	1
14	WASHER, FLANGED ZINC-PLATED	086769-1	2
15	NUT, M12X1.25 8.8 THIN ZINC	F81034-5	4
16	WASHER, Z12.2 SPLIT LOCK ZINC	F81056-2	1
17	WASHER, 13 FLAT ZINC	F81056-1	2
18	BOLT, M12x1.25x40-8.8 HEX HEAD ZINC	F81004-42	2
19	V-BELT, B72.5	017922	1

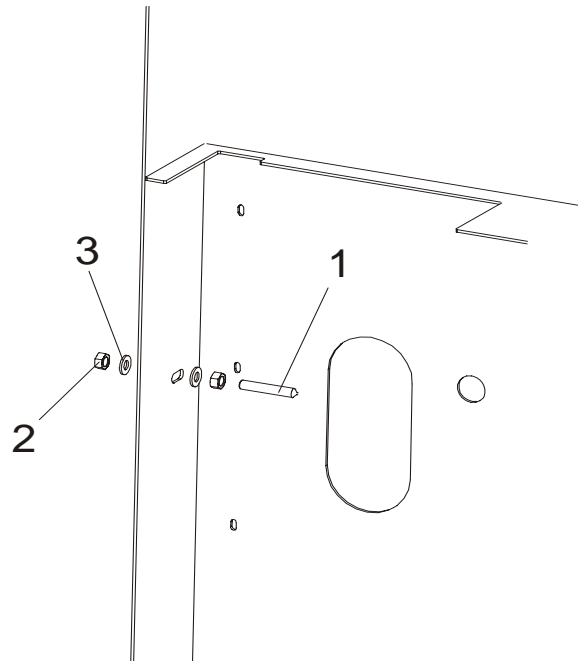
3.3 Blade Tensioner Assembly



REF	DESCRIPTION (◆ Indicates Parts Available In Assemblies Only)	PART #	QTY.
1	WRENCH, BLADE TENSION	091620	1
	BLADE TENSIONER - COMPLETE	090587	1
2	Pin, 5x30 Roll Zinc	F81044-21	1
3	Bracket, Blade Tensioner Shaft	096729	1
4	Block, Tensioner Shaft Bracket	096730	1
5	Collar, Retaining Zinc-plated	086712-1	1
6	Bushing, 11/16x2 1/8x1 3/4 Rubber	P12165	1
7	Guide, Tension Handle	014925	1
8	Spring, Blade Tensioner	014828	1
9	Washer, Rubber Spring Front Ptd	086674-1	1
10	Bearing, 51103 FLT Thrust Ball	086675	1
11	Shaft Weldment, Blade Tensioner	101338-1	1
12	Nut, Blade Tensioner Ptd	086672-1	1
13	Bolt, M8x70 8.8 Hex Head Zinc	F81002-71	4
14	Nut, M8-8-B Hex Nylon Zinc Lock	F81032-2	4
15	Washer, 8.4 Flat Zinc	F81054-1	8
16	Indicator, Blade Tension Zinc-plated	086783-1	1
17	Washer, 6.4 Flat Zinc	F81053-1	1
18	Bolt, M6x16 8.8 Hex Head Full Thread Zinc	F81001-15	1

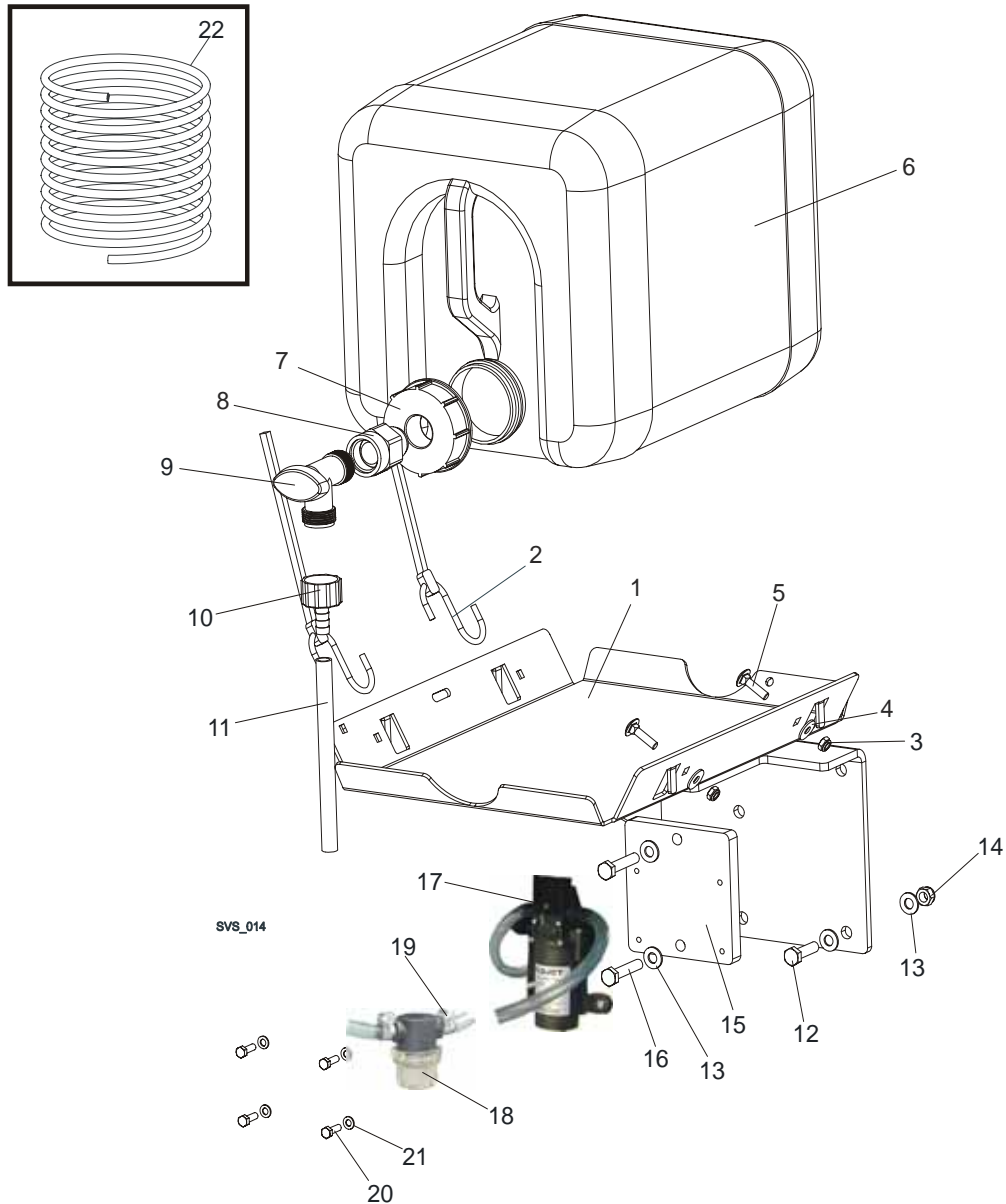
SECTION 4 SAW HEAD

4.1 Middle Throat Screw



REF	DESCRIPTION (◆ Indicates Parts Available in Assemblies Only)	PART #	QTY.	
1	SCREW, M10X60-45H HEX SOCKET SET CONE POINT ZINC	F81003-87	1	
2	NUT, M10-8-B HEX ZINC	F81033-3	2	
3	WASHER, 10.5 FLAT ZINC	F81055-1	2	

4.2 Water Bottle Assembly (LMS)



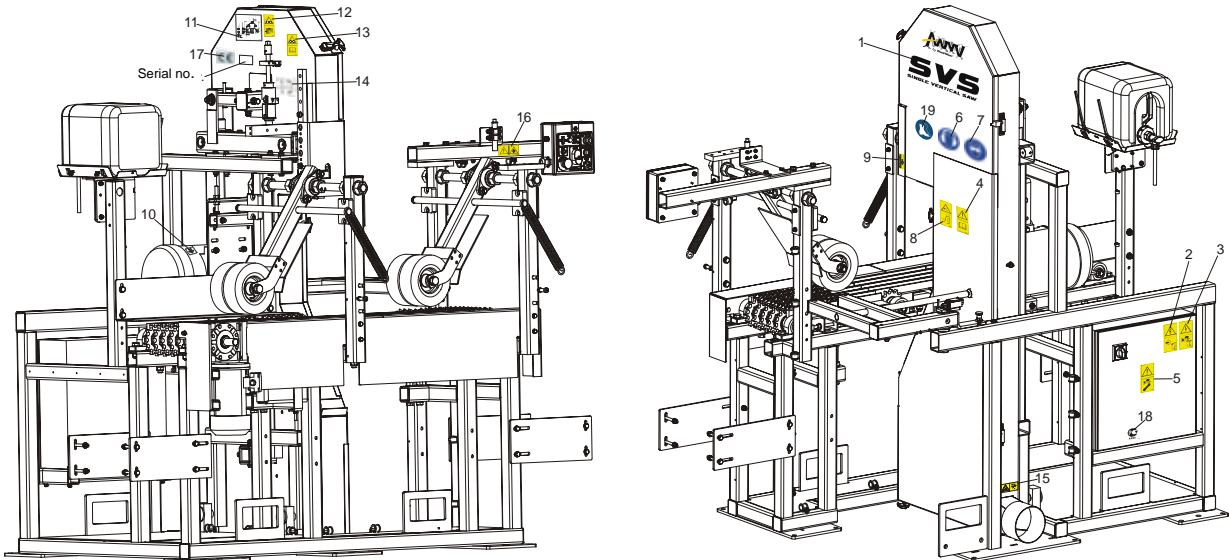
REF	DESCRIPTION (◆ Indicates Parts Available in Assemblies Only)	PART #	QTY.	
	WATER LUBE BOTTLE ASSEMBLY	091036	1	
1	TRAY WELDMENT, WATER BOTTLE PTD	091033-1	1	
2	STRAP, 20" RUBBER W/HOOK	P11668	2	
3	NUT, M6-8-B HEX NYLON ZINC LOCK	F81031-2	2	
4	WASHER, 6.5 SPECIAL FLAT ZINC	F81053-11	2	
5	BOLT, M6x25-8.8 CARRIAGE HEAD ZINC	F81001-20	2	
	BOTTLE KIT, WATER LUBE	014642	1	
6	Bottle, 5-Gallon Water	014637	1	
7	Cap, Water Lube Bottle Buttress Thread	014773	1	

4

SAW HEAD*Water Bottle Assembly (LMS)*

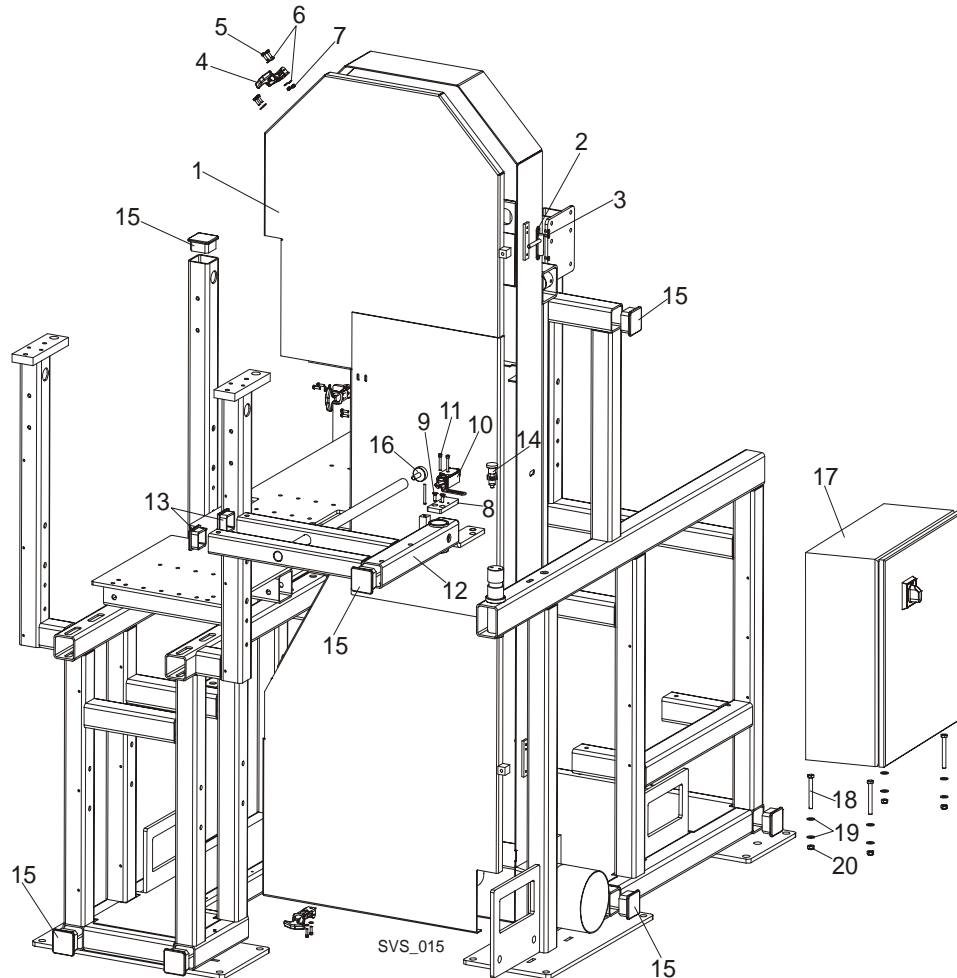
8	FITTING, 3/4FPT X 3/4MPT	014636	1	
9	VALVE, 3/4 NPT ELBOW 3/4 MALE OUTLET PCV	014100	1	
10	REDUCER, 5/8 NPT / 3/8 BARB WATER LUBE	014113	1	
11	TUBING, WATER LUBE	R01885	2.1 m	
12	BOLT, M8x20-8.8-B HEX HEAD FULL THREAD ZINC	F81002-4	4	
13	WASHER, 8.4 FLAT ZINC	F81054-1	8	
14	NUT, M8-8-B HEX NYLON ZINC LOCK	F81032-2	4	
15	BRACKET, LMS PUMP MOUNT ZINC-PLATED	098762-1	1	
16	BOLT, M8x40-8.8 HEX HEAD FULL THREAD ZINC	F81002-15	2	
17	PUMP ASSEMBLY, 12VDC PRESSURE LUBE	033492	1	
	KIT, PUMP HEAD	033442	1	
	KIT, MOTOR 12V LUBE PUMP	033443	1	
18	FILTER, 3/8 BARB LUBE	033447	1	
	KIT, 80 MESH FILTER SCREEN	033441	1	
19	CLAMP, 8-12 MM DIA. HOSE	F81080-1	2	
20	BOLT, M5x16-5.8 HEX HEAD FULL THREAD ZINC	F81000-51	4	
21	WASHER, 5.3 FLAT ZINC	F81052-1	4	
22	HOSE, 1/4 OD 102.0 LG	033456	1	

4.3 Saw Head Decals



REF	DESCRIPTION (◆ Indicates Parts Available in Assemblies Only)	PART #	QTY.
	SVS PICTOGRAPHIC DECAL KIT	100123	1
1	DECAL KIT, SVS MACHINE NAME	099584	1
2	DECAL, HIGH VOLTAGE INSIDE THE ELECTRIC BOX	096316	1
3	DECAL, REMOVE THE PLUG BEFORE OPENING THE BOX	096319	1
4	DECAL, READ THE OPERATOR'S MANUAL	096317	1
5	DECAL, DISCONNECT POWER SUPPLY BEFORE SERVICING	098177	1
6	DECAL, EAR WARNING	S12005G	1
7	DECAL, EYE WARNING	S12004G	1
8	DECAL, SAWMILL COVERS CAUTION	099220	1
9	DECAL, BLADE MOVEMENT DIRECTION	096321	1
10	DECAL, MOTOR ROTATION DIRECTION	S20097	1
11	DECAL, BLADE TENSION INDICATOR ADJUSTMENT	092597	1
12	DECAL, BLADE TENSION	099219	1
13	DECAL, BLADE TENSION - INSTRUCTIONS	099223	1
14	DECAL, BLADE ALIGNMENT	P11789	1
15	DECAL, SAWDUST CHUTE WARNING	099222	1
16	DECAL, CAUTION - LASER BEAM	099504	1
	DECALS FOR TABLES, Patrz rozdzia³ 5.1		
17	DECAL, CE CERTIFIED SAWMILL (SMALL)	P85070	1
18	DECAL, RUSSIAN SAFETY CERTIFICATION	099401	1
19	DECAL, USE SAFETY BOOTS (PICTOGRAM)	501465	1

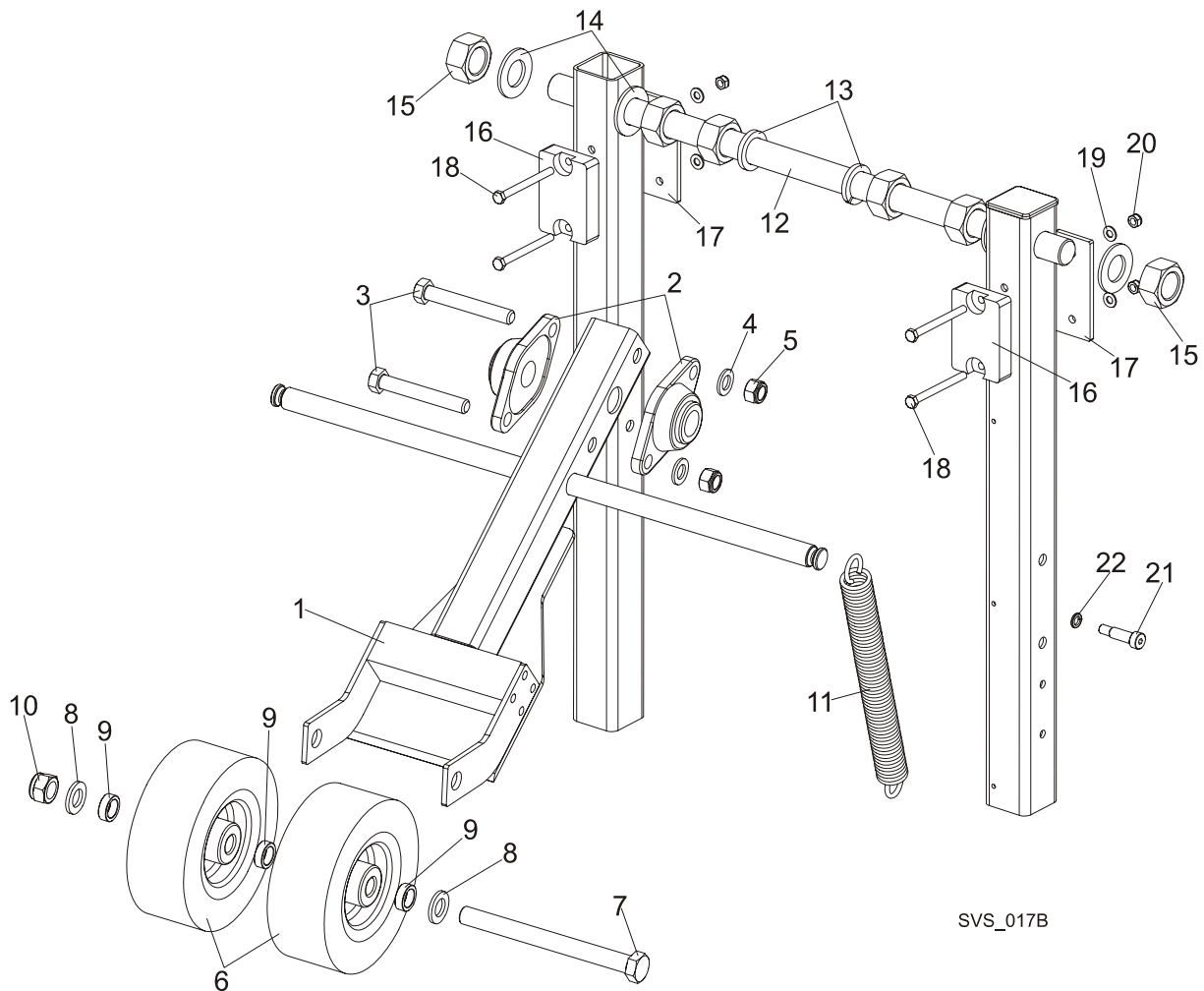
4.4 Blade Housing Cover & Electric Box



REF	DESCRIPTION (◆ Indicates Parts Available In Assemblies Only)	PART #	QTY.
1	COVER WELDMENT, BLADE HOUSING PTD (RIGHT)	096117-1	1
2	HINGE, COVER	096146	2
3	SCREW, M5x12- 5.8-B SLOTTED COUNTERSUNK ZINC	F81000-15	4
4	LATCH, FLEXIBLE DRAW	014829	3
5	BOLT, M5x16-5.8 HEX HEAD FULL THREAD ZINC	F81000-51	6
6	WASHER, 5.3 FLAT ZINC	F81052-1	12
7	NUT, M5-8 DIN 985 ZINC-PLATED	F81030-2	6
8	BAR, SAFETY SWITCH ZINC-PLATED MOUNTING	098760-1	1
9	SCREW, M6x20-4.8-B SLOTTED COUNTERSUNK ZINC	F81001-31	2
10	SWITCH, GSCA 01S1 SAFETY	088407	1
11	SCREW, M5X35 8.8 HEX SOCKET HEAD CAP ZINC	F81000-73	2
12	ARM WELDMENT, CONTROL BOX PTD MOUNTING (RIGHT)	096370-1	1
13	CAP, 50x50 (3-5 MM THICK) SHR TUBE END	095371	2
14	PIN, DETENT	090197	1
15	CAP, X MOSS -199211 SQUARE TUBE END	098757	8
16	FOOT, M10 BASE ADJUST	092839	1

17	BOX, SVS ELECTRIC	098071	1	
18	BOLT, M8X75 8.8 HEX HEAD ZINC	F81002-91	4	
19	WASHER, 8.4 FLAT ZINC	F81054-1	8	
20	NUT, M8-8-B HEX NYLON ZINC LOCK	F81032-2	4	

4.5 Hold-Down Roller



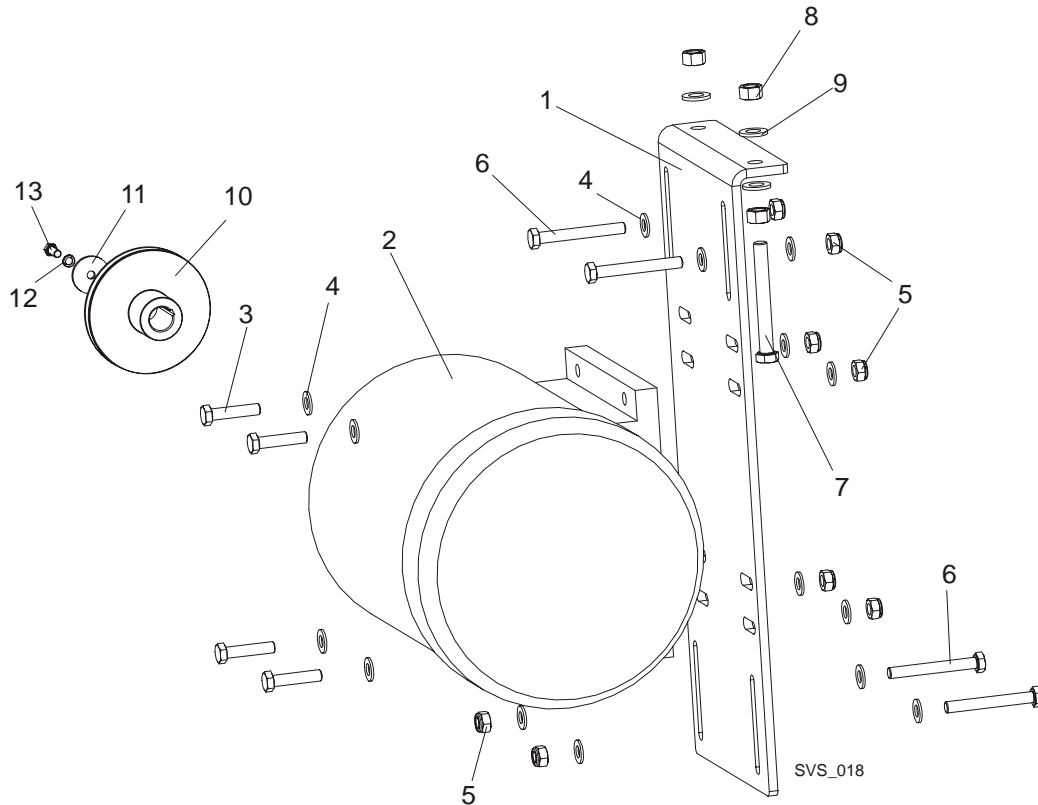
REF	DESCRIPTION (◆ Indicates Parts Available in Assemblies Only)	PART #	QTY.	
	HOLD-DOWN ROLLER, COMPLETE	101454	2	
1	ARM, HOLD-DOWN ROLLER	101453-1	1	
2	BEARING, UCFL 206 CX BALL	090851	2	
3	BOLT, M16X110-8.8 HEX HEAD ZINC	F81006-24	2	
4	WASHER, 17 FLAT ZINC	F81058-1	2	
5	NUT, M16-8 HEX NYLON ZINC LOCK	F81036-2	2	
6	WHEEL, 200MM DIA. 60NN (SVS)	099160	2	
7	BOLT, M20X220-8.8 HEX HEAD ZINC	F81007-4	1	
8	WASHER, 21 FLAT ZINC	F81059-2	2	
9	BUSHING, 21X30X10 ZINC-PLATED SPACER	099351-1	3	

4

SAW HEAD*Hold-Down Roller*

10	NUT, M20-8-A HEX NYLON ZINC LOCK	F81037-2	1	
11	SPRING, FI 4.5X FI 35X303	091863	1	
12	ROD, HOLD-DOWN ARM THREADED	098145-1	2	
13	WASHER, 30.5 SPLIT LOCK ZINC	F81061-8	4	
14	WASHER, 31 FLAT ZINC	F81061-9	8	
15	NUT, M30 HEX ZINC	F81038-3	12	
16	BUMPER, GRENE 70 3201 0010. SHR RUBBER	094969	4	
17	PLATE, BUMPER SPACER	099583-1	4	
18	BOLT, M8X90-8.8 HEX HEAD FULL THREAD ZINC	F81002-16	8	
19	WASHER, 8.4 FLAT ZINC	F81054-1	8	
20	NUT, M8-8-B HEX NYLON ZINC LOCK	F81032-2	8	
21	BOLT, 12/M10X30 12.9 ISO 7379 SHOULDER	F81003-70	2	
22	WASHER, 10.2 SPLIT LOCK ZINC	F81055-2	2	

4.6 Blade Drive Motor



REF	DESCRIPTION (◆ Indicates Parts Available In Assemblies Only)	PART #	QTY.	
1	PLATE, MOTOR MOUNTING (RIGHT)	096123-1	1	
2	MOTOR, 11kW PSSG-132 S2 - HM+132	089049	1	
	MOTOR ELECTRIC, 11KW(15KM) 230V NORWAY	085186-2	1	
3	BOLT, M10X45-8.8 HEX HEAD FULL THREAD ZINC	F81003-3	4	
4	WASHER, 10.5 FLAT ZINC	F81055-1	8	
5	NUT, M10-8-B HEX NYLON ZINC LOCK	F81033-1	4	
6	BOLT, M10X80-8.8 HEX HEAD ZINC	F81003-50	2	
7	BOLT, M12X100 8.8 HEX HEAD FULL THREAD ZINC	F81004-45	2	
8	NUT, M12-8-B HEX ZINC	F81034-1	2	
9	WASHER, 13 FLAT ZINC	F81056-1	4	
10	PULLEY, SPB Φ 140X1/ Φ 38 (F02325+T31079)	500571 ¹	1	
	PULLEY, SPB Φ 170X1/ Φ 38 (F01794+T31079)	500575 ²	1	
	PULLEY, SPB190/1 W/2012/38 TAPER SPLIT BUSHING	099601 ³	1	
	PULLEY, SPB125X1/FI38 F02319+T31079 TAPER SPLIT BUSHING	501556 ⁴	2	
11	WASHER, FI 60 X 13 X 5 ZINC-PLATED SPECIAL	098613-1	1	
12	WASHER, Z12.2 SPLIT LOCK ZINC	F81056-2	1	
13	BOLT, M12x30-8.8 HEX HEAD FULL THREAD ZINC	F81004-22	1	

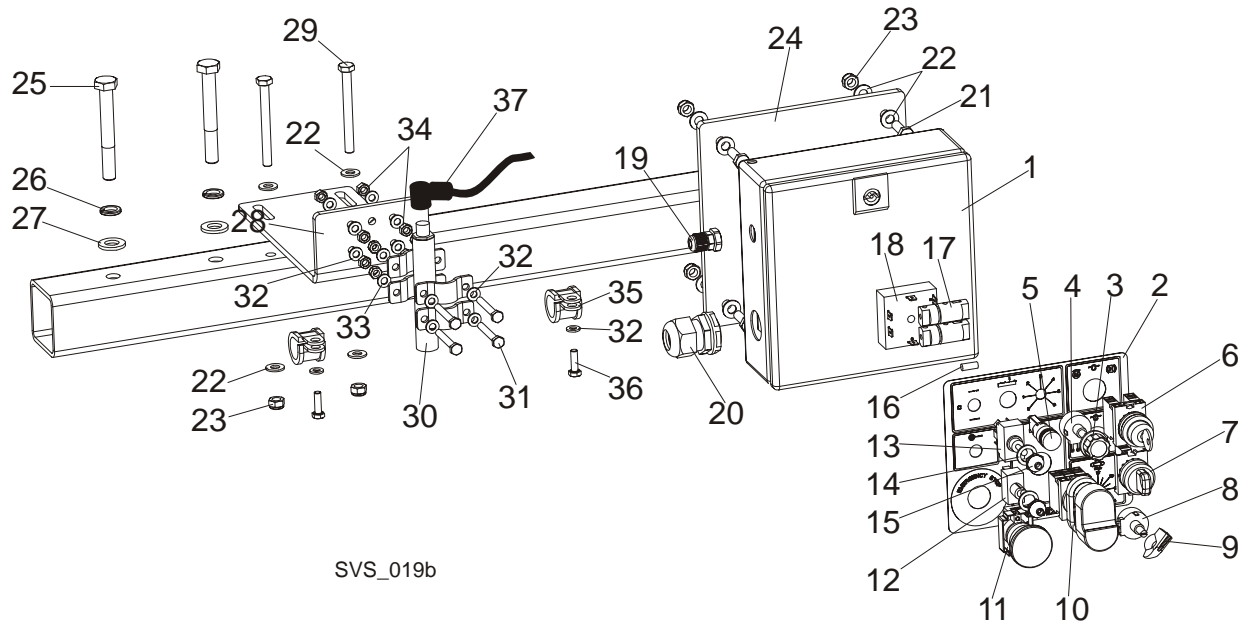
¹ Standard Equipment. Blade Linear Velocity $v=20.5$ m/s.

² Blade Linear Velocity $v=25$ m/s.

³ Blade Linear Velocity $v=28$ m/s.

⁴ Blade Linear Velocity $v=23$ m/s.

4.7 Control Box

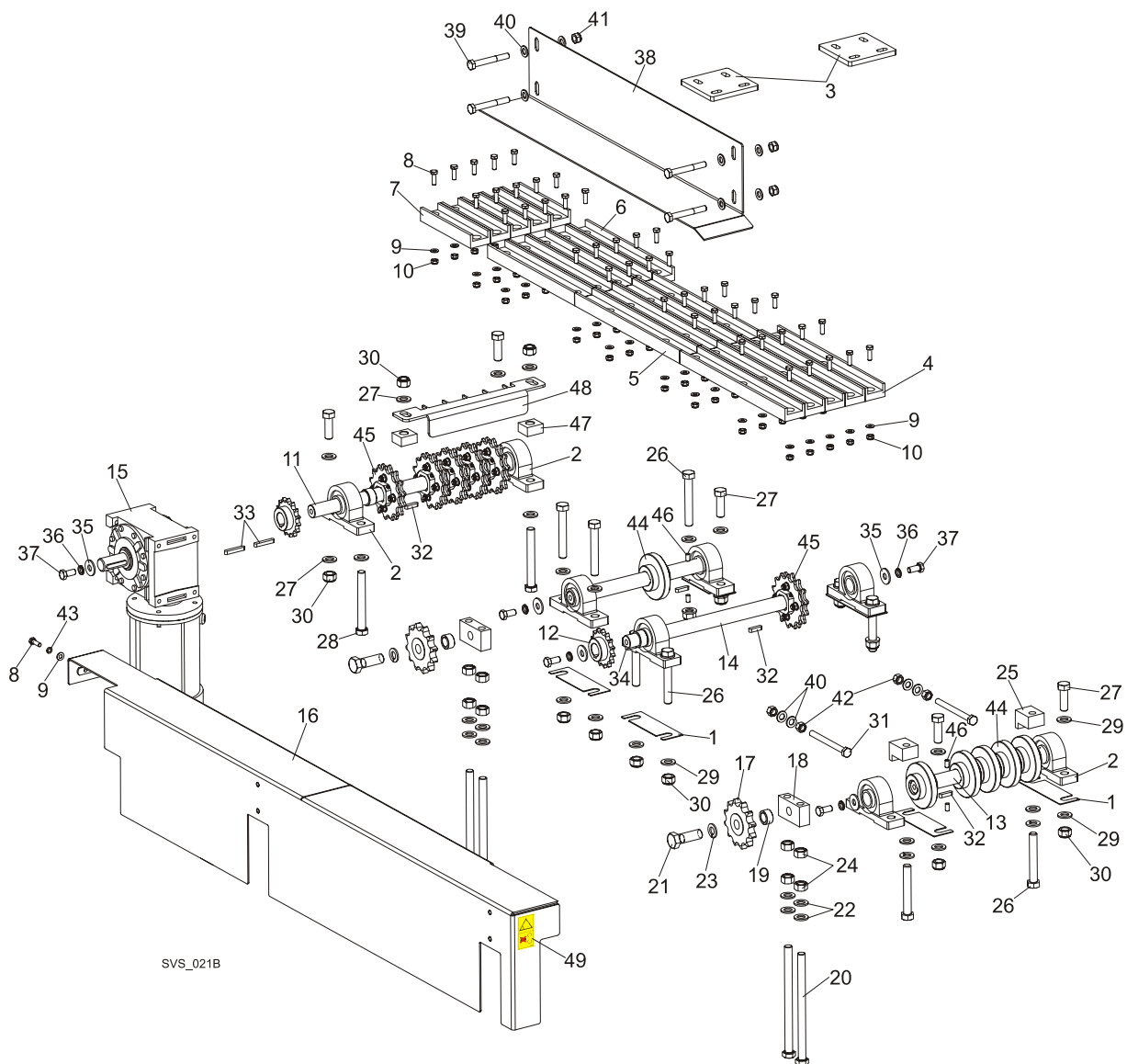


REF	DESCRIPTION (◆ Indicates Parts Available in Assemblies Only)	PART #	QTY.
	SVS CONTROL BOX - COMPLETE	099172	1
1	BOX, EB1549500	089802	1
2	DECAL, SVS CONTROL BOX	099141	1
3	KNOB, 1/4 ID FLUTED ROUND PLASTIC	033478	1
4	POTENTIOMETER, 1K	E20519	1
5	LIGHT, XB6 AV 3BB GREEN CONTROL	087348	1
6	SWITCH, M22 3-POSITION KEY	091361	1
7	SWITCH, M22 3-POSITION ILLUMINATED	091359	1
8	POTENTIOMETER, 500K 2W 10% CP	024553	1
9	KNOB, SPEED CONTROL	P06257	1
10	SWITCH, 24V ILLUMINATED START-STOP	090452	1
	MEMBRANE, M22-T-DD	090462	1
11	SWITCH, XB4 BS542 EMERGENCY STOP	086556	1
12	SWITCH, SPST ON/OFF 15A .25 TABS TOGGLE	P03027	1
13	SWITCH, DPDT ON/OFF/ON 15A TOGGLE	024588	1
14	WASHER, 1/2X3/4X1/16 NYLON	P05251-1	2
15	BOOT, TOGGLE SWITCH	P02575	2
16	RESISTOR, 47K / 0,25W	094807	1
17	FUSE, 4Amp	E85238	2
18	TIMER, REPEAT CYCLE 12VDC 1A .2-60SEC.	024530	1
19	GLAND, DP 21/H CABLE	F81096-3	1
20	GLAND, DP7/H CABLE	F81096-11	1
21	BOLT, M8X25-8.8-B HEX HEAD FULL THREAD ZINC	F81002-5	4
22	WASHER, 8.4 FLAT ZINC	F81054-1	12
23	NUT, M8-8-B HEX NYLON ZINC LOCK	F81032-2	6

24	TUBE WELDMENT, CONTROL BOX MOUNTING	099838-1	1	
25	BOLT, M12X90-8.8 HEX HEAD ZINC	F81004-2	2	
26	WASHER, Z12.2 SPLIT LOCK ZINC	F81056-2	2	
27	WASHER, 13 FLAT ZINC	F81056-1	2	
28	BRACKET, SVS LASER MOUNTING	099842-1	1	
29	BOLT, M8X80-8.8 HEX HEAD ZINC	F81002-18	2	
30	LASER, CL24 LINEAR	088951	1	
31	BOLT, M6X45-8.8 HEX HEAD FULL THREAD ZINC	F81001-45	4	
32	WASHER, 6.4 FLAT ZINC	F81053-1	18	
33	NUT, M6-8-B HEX NYLON ZINC LOCK	F81031-2	4	
34	NUT, M6-8 HEX ZINC	F81031-1	2	
35	CLAMP, RSGU 1.20/20 W1 CABLE	F81087-2	2	
36	BOLT, M6X20-8.8 HEX HEAD FULL THREAD ZINC	F81001-2	2	
37	CABLE, 5M SAFETY SWITCH	087652	1	

SECTION 5 SVS TABLES

5.1 Feed Track Assembly

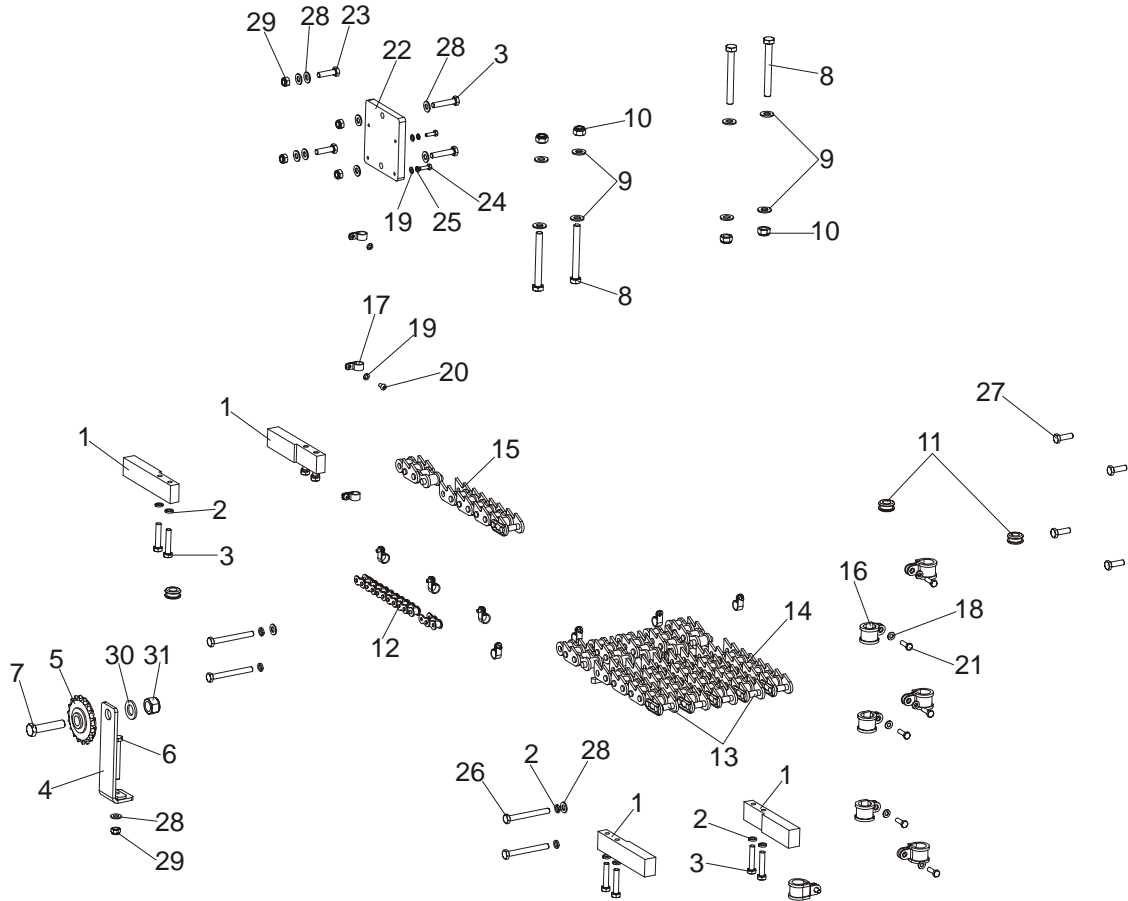


SVS_021B

REF	DESCRIPTION (◆ Indicates Parts Available In Assemblies Only)	PART #	QTY.
1	PLATE, UCP206 BEARING HOUSING SPACER	099846-1	6
2	BEARING, UCP 206 CX W/HOUSING	099254	8
3	PLATE, SVS SAW HEAD MOUNTING	099140-1	2
4	BAR, CHAIN GUIDE (INFEED SIDE)	099385	5
5	BAR, CHAIN GUIDE (MIDDLE)	099387	4
6	BAR, CHAIN GUIDE - MIDDLE	101343	5
7	BAR, CHAIN GUIDE - SHORT	101342	5
8	BOLT, M8X25-8.8-B HEX HEAD FULL THREAD ZINC	F81002-5	39

9	WASHER, 8.4 FLAT ZINC	F81054-1	39	
10	NUT, M8-8-B HEX NYLON ZINC LOCK	F81032-2	39	
11	SHAFT, SVS DRIVE	099388	1	
12	SPROCKET, 10B Z15 FI28	097947	2	
13	SHAFT, SVS DRIVEN	099389	1	
14	SHAFT, SVS IDLE SIDE	099390	2	
15	MOTOREDUCER, RA-06/39/D4/SN/V6 RESAW	092075	1	
16	GUARD, SVS DRIVE	098321-1	1	
	COMPLETE SHORT CHAIN TENSIONER	099832	2	
17	SPROCKET, KSR20-LO-16-10-12-15	099746	1	
18	BLOCK, SHORT CHAIN TENSIONER	099830-1	1	
19	BUSHING, ϕ 20.5x ϕ 30x15 SPACER	100105-1	2	
20	BOLT, M16X240-8.8-A2 FULL THREAD	F81006-29	2	
21	BOLT, M20X60 8.8 HEX HEAD ZINC	F81007-7	1	
22	WASHER, 17 FLAT ZINC	F81058-1	6	
23	WASHER, 16.3 SPLIT LOCK ZINC	F81058-2	1	
24	NUT, M16-5.8 HEX ZINC	F81036-1	4	
25	BLOCK, LONG CHAIN TENSIONER	099829-1	2	
26	BOLT, M16X110-8.8 HEX HEAD ZINC	F81006-24	6	
27	BOLT, M16X50-8.8 HEX HEAD FULL THREAD ZINC	F81006-7	6	
28	BOLT, M16X130-8.8 HEX HEAD ZINC	F81006-35	2	
29	WASHER, 17 FLAT ZINC	F81058-1	32	
30	NUT, M16-8 HEX NYLON ZINC LOCK	F81036-2	16	
31	BOLT, M12X130-8.8 HEX HEAD FULL THREAD ZINC	F81004-55	2	
32	KEY, A8X7X32 PARALLEL	088564	7	
33	KEY, A8X7X50 PARALLEL	088563	2	
34	KEY, AB 8X7X25 PARALLEL	099848	1	
35	WASHER, 13 SPECIAL FLAT ZINC	F81056-14	8	
36	WASHER, Z12.2 SPLIT LOCK ZINC	F81056-2	10	
37	BOLT, M12X25-8.8 HEX HEAD FULL THREAD ZINC	F81004-31	8	
38	FENCE, FEED TRACK SIDE	099849-1	1	
39	BOLT, M12X90-8.8 HEX HEAD ZINC	F81004-2	4	
40	WASHER, 13 FLAT ZINC	F81056-1	12	
41	NUT, M12-8 HEX NYLON ZINC LOCK	F81034-2	4	
42	NUT, M12-8-B HEX ZINC	F81034-1	4	
43	WASHER, 8.2 SPLIT LOCK ZINC	F81054-4	1	
44	WHEEL, 16B CHAIN TENSION	101088-1	6	
45	SPROCKET, 14Z D30 COMPLETE	101446	6	
46	SCREW, M8X16-33H HEX SOCK. FLAT POINT SET	F81014-2	12	
47	DISTANCE BLOCK, SAWDUST WIPER	101449-1	2	
48	WIPER, SVS SPROCKET ZINC	101396-1	1	
49	DECAL, GEAR WARNING	099540	1	

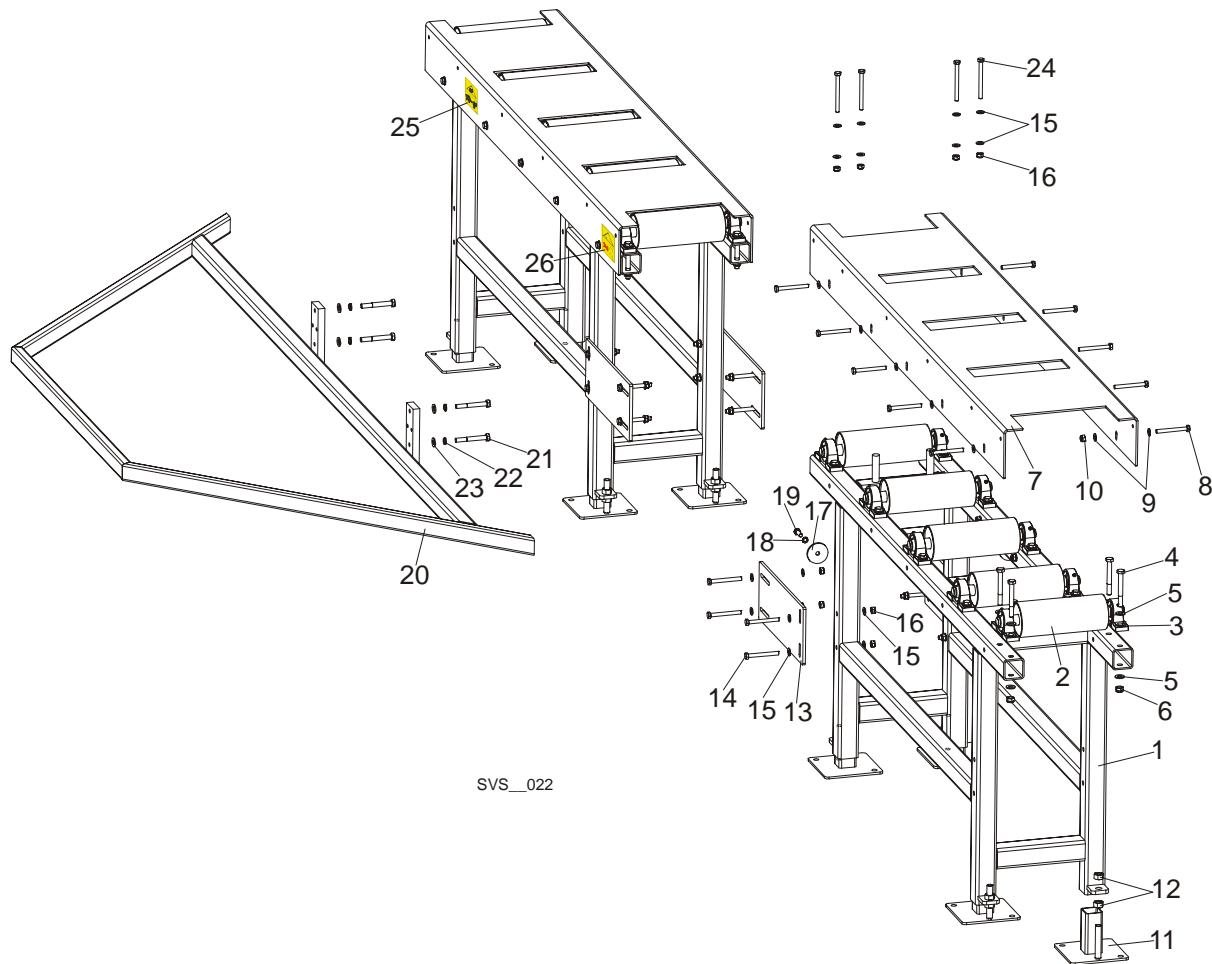
5.2 Chains



REF	DESCRIPTION (◆ Indicates Parts Available In Assemblies Only)	PART #	QTY.
1	BLOCK, SVS CHAIN SPACER	099591-1	4
2	WASHER, 8.2 SPLIT LOCK ZINC	F81054-4	13
3	BOLT, M8X40-8.8 HEX HEAD FULL THREAD ZINC	F81002-15	10
4	BRACKET WELDMENT, POWER FEED CHAIN TENSIONER	092862-1	1
5	SPROCKET, Z=18 KSR16.L0.08.10.18.09	088700	1
6	BOLT, M8X65-5.8 HEX HEAD ZINC	F81002-3	1
7	BOLT, M12X55-8.8 HEX HEAD ZINC	F81004-12	1
8	BOLT, M10X90-8.8-B HEX HEAD ZINC	F81003-66	4
9	WASHER, 10.5 FLAT ZINC	F81055-1	8
10	NUT, M10-8-B HEX NYLON ZINC LOCK	F81033-1	4
11	GROMMET, 20/13 RUBBER	086188	3
12	CHAIN, 10B-1 142 LINKS (2255) - COMPLETE	099870	1
	CHAIN, 10B-1 143 LINKS (2270.1)	099871	1
	LINK, 10B-1Pz MASTER	088671	1
13	CHAIN, 1" 135 LINKS (3429) - COMPLETE, SPECIAL	099866	4
	CHAIN, 1" 135 LINKS (3429) SPECIAL	099101	4
	LINK, 1" SPECIAL CHAIN MASTER	099869	4

14	CHAIN, 1" 61 LINKS (1549.4) - COMPLETE, SPECIAL	099867	1	
	CHAIN, 1" 61 LINKS (1549.4) SPECIAL	099843	1	
	LINK, 1" SPECIAL CHAIN MASTER	099869	1	
15	CHAIN, 1" 75 LINKS (1905) - COMPLETE, SPECIAL	099868	1	
	CHAIN, 1" 75 LINKS (1905) SPECIAL	099844	1	
	LINK, 1" SPECIAL CHAIN MASTER	099869	1	
16	CLAMP, RSGU 1.20/20 W1 WIRE	F81087-2	16	
17	CLAMP, 1/2 WIRE PLASTIC	F05114-1	10	
18	WASHER, 6.4 FLAT ZINC	F81053-1	16	
19	WASHER, 5.3 FLAT ZINC	F81052-1	14	
20	SCREW, H M5X10 8.8 CROSS RECESSED PAN HEAD ZINC	F81000-13	10	
21	BOLT, M6X20-8.8 HEX HEAD FULL THREAD ZINC	F81001-2	16	
22	BRACKET, LMS PUMP ZINC-PLATED	098762-1	1	
23	BOLT, M8X30-8.8-B HEX HEAD FULL THREAD ZINC	F81002-7	2	
24	BOLT, M5X16-5.8 HEX HEAD FULL THREAD ZINC	F81000-51	4	
25	WASHER, 5.1 SPLIT LOCK ZINC	F81052-2	4	
26	BOLT, M8X75 8.8 HEX HEAD ZINC	F81002-91	4	
27	BOLT, M8X25-8.8-B HEX HEAD FULL THREAD ZINC	F81002-5	4	
28	WASHER, 8.4 FLAT ZINC	F81054-1	9	
29	NUT, M8-8-B HEX NYLON ZINC LOCK	F81032-2	2	
30	WASHER, 17 FLAT ZINC	F81058-1	1	
31	NUT, M16-8 HEX NYLON ZINC LOCK	F81036-2	1	

5.3 Infeed & Outfeed Table

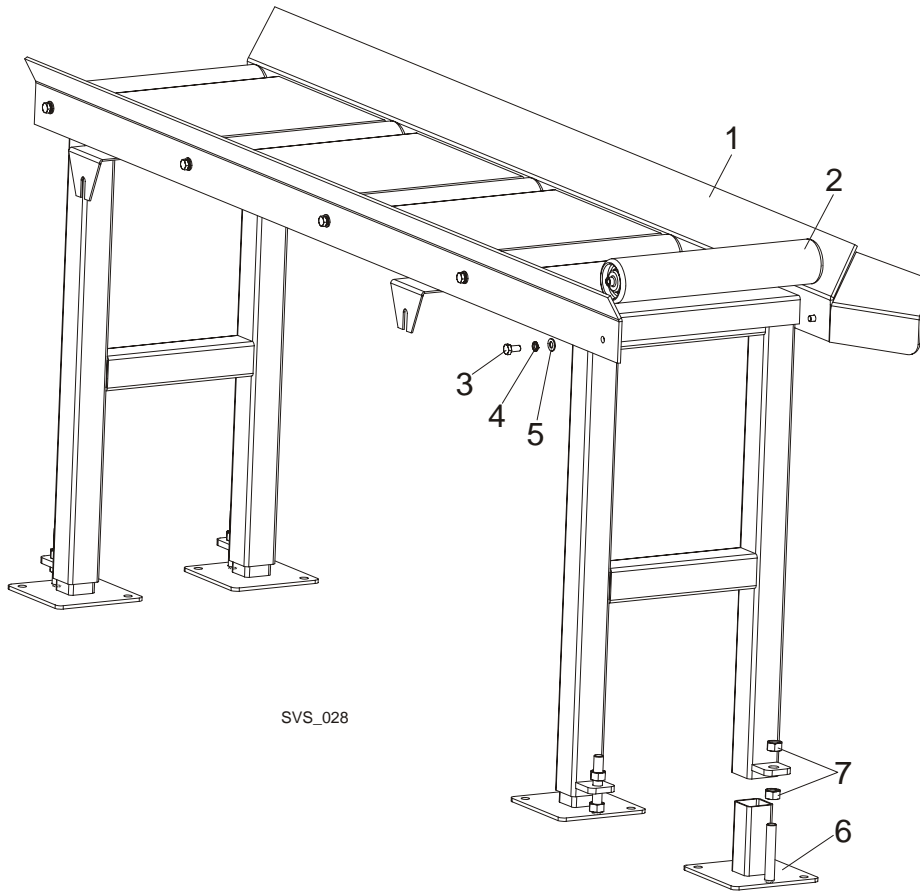


REF	DESCRIPTION (◆ Indicates Parts Available In Assemblies Only)	PART #	QTY.
	SVS INFEED & OUTFEED TABLE	099170	2
1	FRAME, SVS INFEED & OUTFEED TABLE	099168-1	1
2	ROLLER, SVS FEED	098140-1	5
3	BEARING, UCP 205 CX W/HOUSING	088468	10
4	BOLT, M12x100-8.8 HEX HEAD ZINC	F81004-3	20
5	WASHER, 13 FLAT ZINC	F81056-1	40
6	NUT, M12-8 HEX NYLON ZINC LOCK	F81034-2	20
7	PLATE, SVS TABLE TOP	099167-1	1
8	BOLT, M10x90 -8.8-B HEX HEAD ZINC	F81003-66	10
9	WASHER, 10.5 FLAT ZINC	F81055-1	20
10	NUT, M10-8-B HEX NYLON ZINC LOCK	F81033-1	10
11	FOOT ASSEMBLY, TABLE LEG	099281-1	4
12	NUT, M16-5.8 HEX ZINC	F81036-1	8
13	PLATE, TABLE MOUNTING	099177-1	4
14	BOLT, M10X90 -8.8-B HEX HEAD ZINC	F81003-66	16
15	WASHER, 10.5 FLAT ZINC	F81055-1	40

16	NUT, M10-8-B HEX NYLON ZINC LOCK	F81033-1	16	
17	WASHER, IDLE BLADE WHEEL RETAINING ZINC-PLATED	088957-1	2	
18	WASHER, 10.2 SPLIT LOCK ZINC	F81055-2	2	
19	BOLT, M10X30-5.8 HEX HEAD FULL THREAD ZINC	F81003-2	2	
20	FENCE, SVS	098322-1	1	
21	BOLT, M12X90-8.8 HEX HEAD ZINC	F81004-2	4	
22	WASHER, Z12.2 SPLIT LOCK ZINC	F81056-2	4	
23	WASHER, 13 FLAT ZINC	F81056-1	4	
24	BOLT, M10X110 8.8 HEX HEAD ZINC	F81003-43	4	
25	DECAL, KEEP A SAFE DISTANCE AWAY	099221	1	
26	DECAL, GEAR WARNING	099540	1	

5 SVS TABLES
Side Table (Optional)

5.4 Side Table (Optional)



REF	DESCRIPTION (◆ Indicates Parts Available In Assemblies Only)	PART #	QTY.
	TABLE, SVSST SIDE	098720	1
1	TABLE, SVSST SIDE	098730-1	1
2	ROLLER, 76 DIA. X 400 W/INTERNAL THREAD	093787-1	5
3	BOLT, M10x20-5.8 HEX HEAD FULL THREAD ZINC	F81003-1	10
4	WASHER, 10.2 SPLIT LOCK ZINC	F81055-2	10
5	WASHER, 10.5 FLAT ZINC	F81055-1	10
6	FOOT ASSEMBLY, TABLE LEG	099281-1	4
7	NUT, M16-5.8 HEX ZINC	F81036-1	8